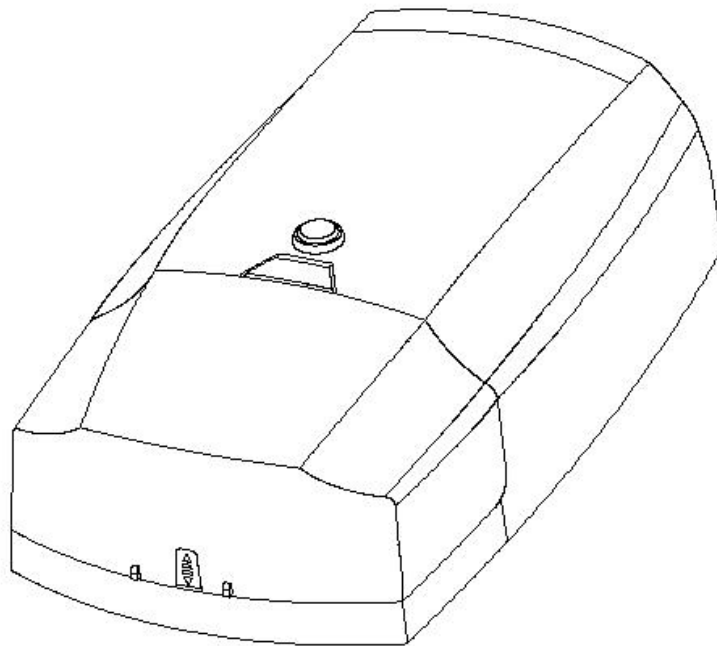


## Garage Door Driver Installation Instructions and User Guide

- VT 1000E
- VT PRO



### **WARNING**

Please read the manual carefully before installation and use. The installation of your new door opener must be carried out by a technically qualified or licensed person. Attempting to install or repair the door opener without suitable technical qualification may result in severe personal injury, death and / or property damage.

# CONTENTS

Important safety recommendations.....	1-2
Basic function introduction.....	3
Special function introduction.....	3
Installation.....	4
Installation (steel track).....	4-11
Installation (sectional steel track).....	11
Installation recommendations.....	12
Basic function setting and applying.....	13-14
Special function introduction and application.....	15
Manual disengagement.....	16
Maintenance.....	17
Technical specifications.....	17
Manufacturer's declaration.....	18
Final note.....	18
Important information for the user.....	18
Packing list.....	19
Warranty.....	20-22

# Important safety recommendations

The new GDO is professionally designed under the newest design idea of Vicway Australia Pty Ltd. The installation and setting of this GDO is extremely easy. It has complete functions, gives the users a relaxed and happy installation experience.

## Safety Warnings

Warning: It is very important to read this safety warnings and follow all instructions before installing. Or it may cause serious personal injury and/or property loss. Save these instructions.

1. This appliance can be used by children aged from 8 years and above and persons with reduced physical, sensory or mental capabilities or lack of experience and knowledge if they have been given supervision or instruction concerning use of the appliance in a safe way and understand the hazards involved. Children shall not play with the appliance or its controls, including transmitters. Keep the transmitters out of the reach of children. Cleaning and user maintenance shall not be made by children without supervision.
2. We strongly recommend to install photocell to increase safety protection and psychological security.
3. Before installing the drive, remove all unnecessary ropes or chains and disable any equipment, such as locks, not needed for powered operation. Check that the door is in good mechanical condition, correctly balanced and opens and closes properly.
4. A-weighted emission sound pressure level of the drive  $L_{pA} \leq 70$  dB(A).
5. The operator must not be used for doors without a safety catch.
6. Install the actuating member for the manual release at a height less than 1.8 m. If removable, the actuating member should be stored in direct vicinity of the door.
7. Install any fixed control at a height of at least 1.5 m and within sight of the door but away from moving parts.
8. Wall switch or wall transmitter must be installed out of the reach of children.
9. Permanently fix the labels warning against entrapment in a prominent place or near any fixed controls.
10. Permanently fix the label concerning the manual release adjacent to its actuating member.
11. After installation, ensure that the mechanism is properly adjusted and that the drive reverses or the object can be freed when the door contacts a 40 mm high object placed on the floor. Ensure that parts of the door do not extend over public footpaths or roads.
12. Refer to pages 4-8 for information on how to adjust the door and drive.
13. Connect the GDO to 220-240V circuit, and fix it to the required place by professional person.

**WARNING: The drive shall be disconnected from its power source during cleaning, maintenance and when replacing parts.**



**14. Waste electrical products should not be disposed of with household waste.**

**Please recycle where facilities exist. Check with your local authority or retailer for recycling advice.**

15. If the supply cord is damaged, it must be replaced by the manufacturer, its service agent or similarly qualified persons in order to avoid a hazard.

16. Watch the moving door and keep people away until the door is completely opened or closed.

17. Take care when operating the manual release since an open door may fall rapidly due to weak or broken springs, or being out of balance. (Refer to page 12 of the instructions for information concerning use of the manual release.)

18. Check the condition of the door frequently if has any damage or if is well balanced., especially the cable, spring, components connect with the wall. Don't use the door if it is not repaired or adjusted, or there will be injury due to improper installation or bad balance. If the door components are under extreme pressure, don't repair it by yourself, if necessary, call for authorized service.

19. Each month check that the drive reverses or the object can be freed when the door contacts a 40mm high object placed on the floor.

20. The drive must not be used with a door incorporating a wicket door (unless the drive can not be operated with the wicket door not put in the safe position).

If applicable, that the drive is not to be used with doors having openings exceeding 50 mm in diameter or having edges or protruding parts a person could grip or stand on.

21. Don't open/close the door when people are near the door. Keep children away from the moving door. Or it may cause serious personal injury and/or property loss.

22. In order to keep the GDO away from the rain, don't expose it out door. Don't put the GDO in the water, don't spray water to the GDO, keep the GDO away from any other device with water.

23. In order to make sure the GDO can sense the obstacle under the door, the door must press the obstacle. So it may cause injury or damage to the obstacle, door or person.

24. If the circuit is damaged, the professional person is required to do the repair.

25. Make sure the garage door is fully open & stationary before passing through the door. Make sure the garage door is fully closed & stationary before leaving.

**WARNING: Automatic door – The door may operate unexpectedly, therefore do not allow anything to stay in the path of the door.**

## Basic function introduction

1. Soft start, soft stop. Keep the garage door steadily and reliably operation
2. The door will stop during opening when contacting obstruction, and will reverse at least 30cm during closing when contacting obstruction.
3. Opening & closing force dynamically self-learning. Can make sure the garage door driver will work steadily in spite of change of door resistance by seasonal variation.
4. The door safety closing resistance force is adjustable with 9 rates.
5. Wall switch terminal available.
6. Infra-red security protection
7. Low-voltage protection, the process will not perform any action of opening and closing when voltage is too low, door panel and controller won't be damaged.
8. We adopt rolling code transmitter, with billions of codes, won't be coincident code or pirated code.
9. Optional battery back-up terminal, when power failure, the door driver can still keep on working, help to open/close the door as normal (see the connect terminal on the control board).
10. With auto-closing feature. The auto-close time is adjustable in 10 rates.

## Special function introduction (optional)

The following functions are made to order in accordance with the special needs of customers:

1. Caution light feature
2. Passing door feature
3. OPEN CODE function

# Installation

- 1). Read the instructions carefully.
- 2). Make sure the door structure is solid and suitable to be motor driven.
- 3). Make sure that when the door is moving there are no friction points.
- 4). The door must be properly balanced and must be easily lowered and raised by hand.
- 5). Install a 220V, adequately protected 3-pin socket near Where the GDO is going to be installed.

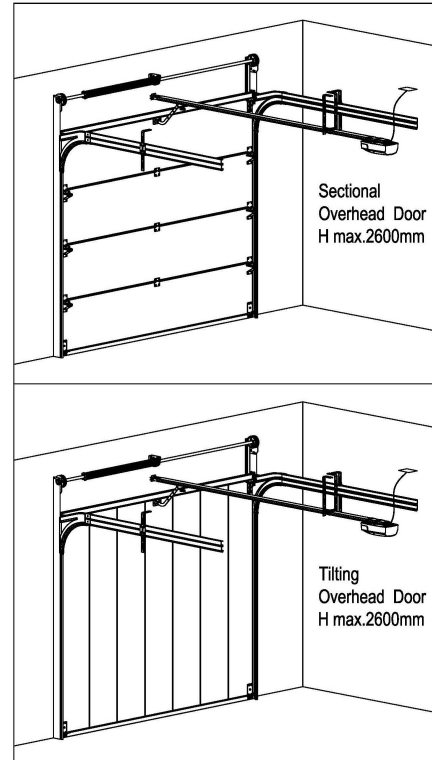


FIG.1

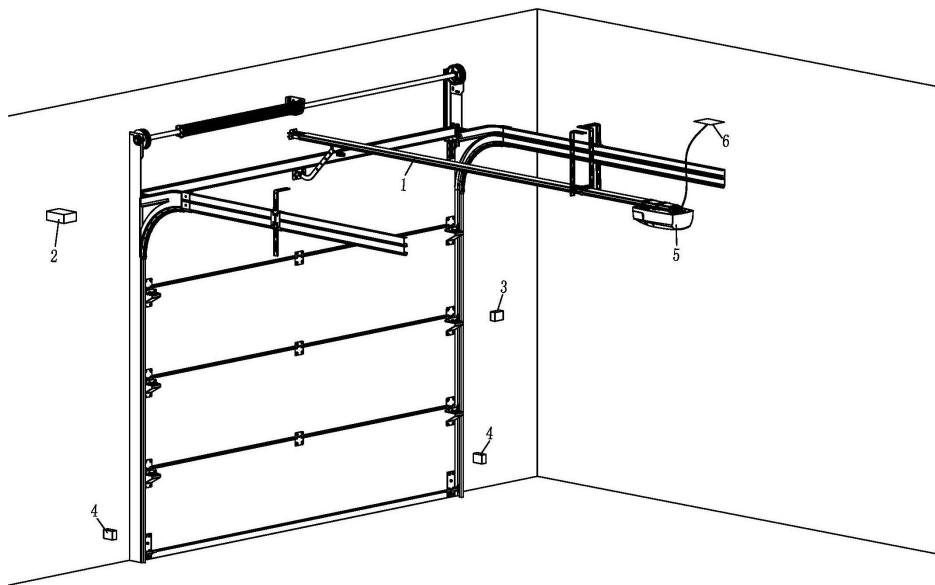


FIG.2

Referring to FIG. 2 for recommended installation

- |                         |  |
|-------------------------|--|
| (1) Sectional door rail | (2) 24V DC flashing light (optional extra) |
| (3) Wall button         | (4) Safety sensor                          |
| (5) Interaction panel   | (6) Power socket                           |

## Installation (steel track)

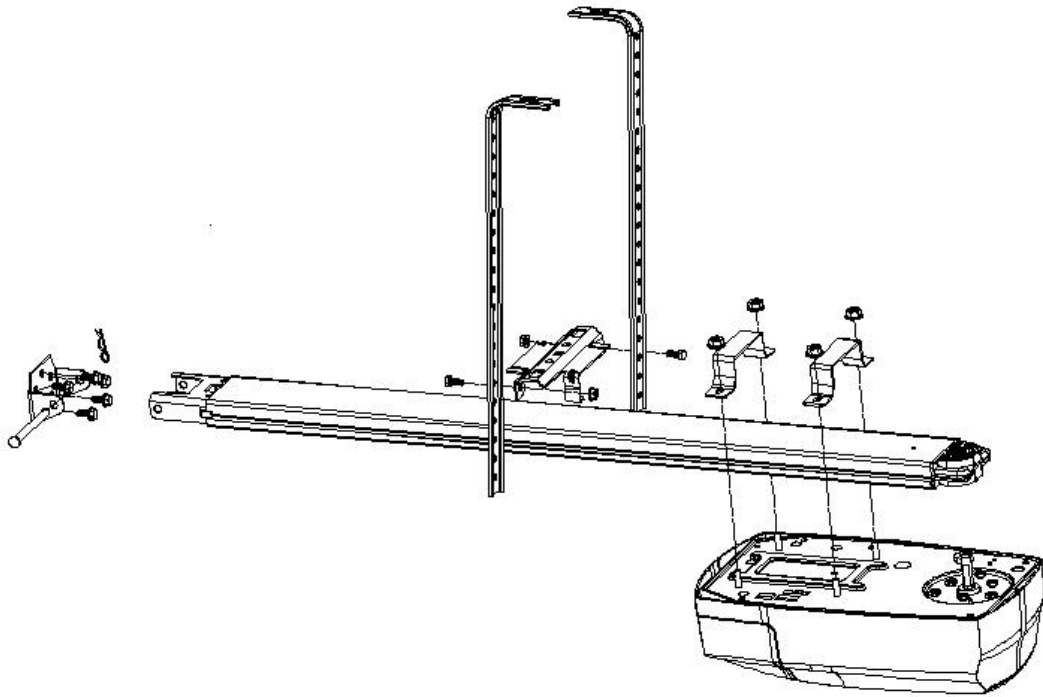


FIG. 3

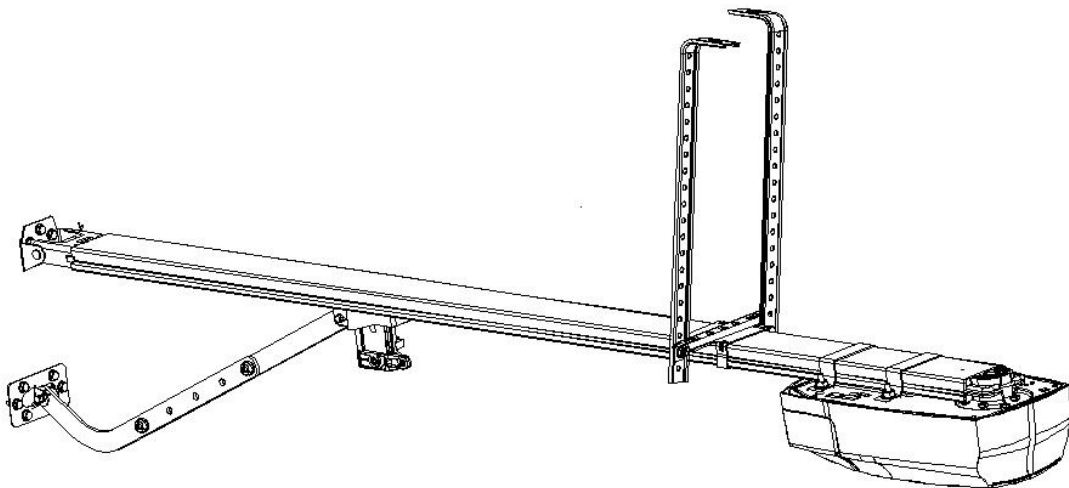


FIG. 4

1. Install the track bracket. Locate the position (over the shaft or intermediate bracket for 2cm-15cm, depending on the actual installation space) of the track bracket. Drill four pilot holes corresponding to the bracket. Mount the track bracket to the wall with four M8×40 lag screws by a 1/2-inch socket.

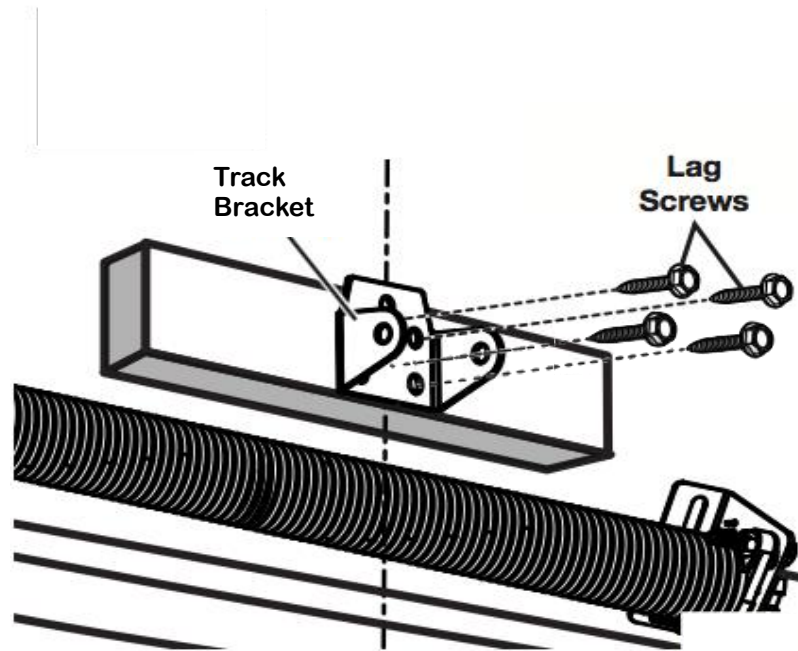


FIG. 5

2. Mount the steel track to the bracket. Align the holes in the bracket and the holes in the track, then insert the  $\phi 8 \times 90$  cotter pin. Secure by installing the 1.8×38 hitch pin into the two holes of the cotter pin (FIG. 6)

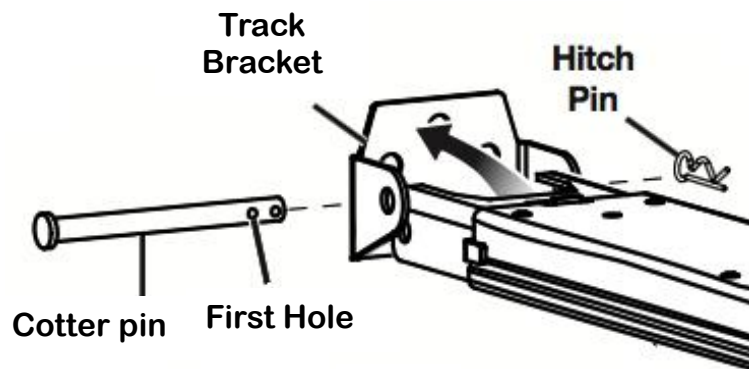


FIG. 6



3. Install garage door opener. As shown below, align the motor shaft to the hole on the track. Then, align the two U hanging brackets A to the four studs respectively. The studs shall be through the holes on the U hang bracket A, and thus the whole assembly can be mounted by four M4 nuts. At this point, the whole assembly should be rotatable vertically along the axle, which is the cotter pin.

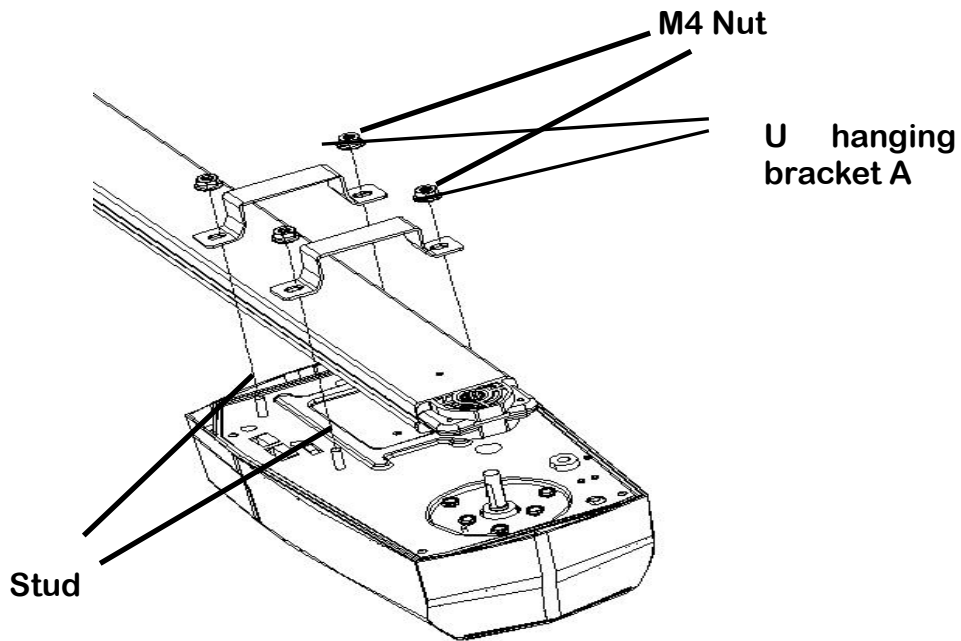


FIG. 7

4. Install the hanging bracket. Position the hanging bracket on the track as closer to the opener as possible, if there is enough space. Note, some angle are needed to place the hanging bracket on the track. By rotating the hanging bracket for about  $30^\circ$  (this requires to apply certain force), it can be fixed on the track sturdy. Then determine mounting points on both of the iron angle A, where the distance between the measure the distance between the mounting points and ceiling enable the track to be horizontal when hanging. Then mount the hanging bracket at mounting points by two pairs of M4 screws and M4 nuts. Still, the whole assembly should be rotatable vertically, where the axle is the cotter pin.

Notice: Ensure the track is horizontal and vertical to the shaft. Ensure the connection between iron angle A and ceiling is firm enough.

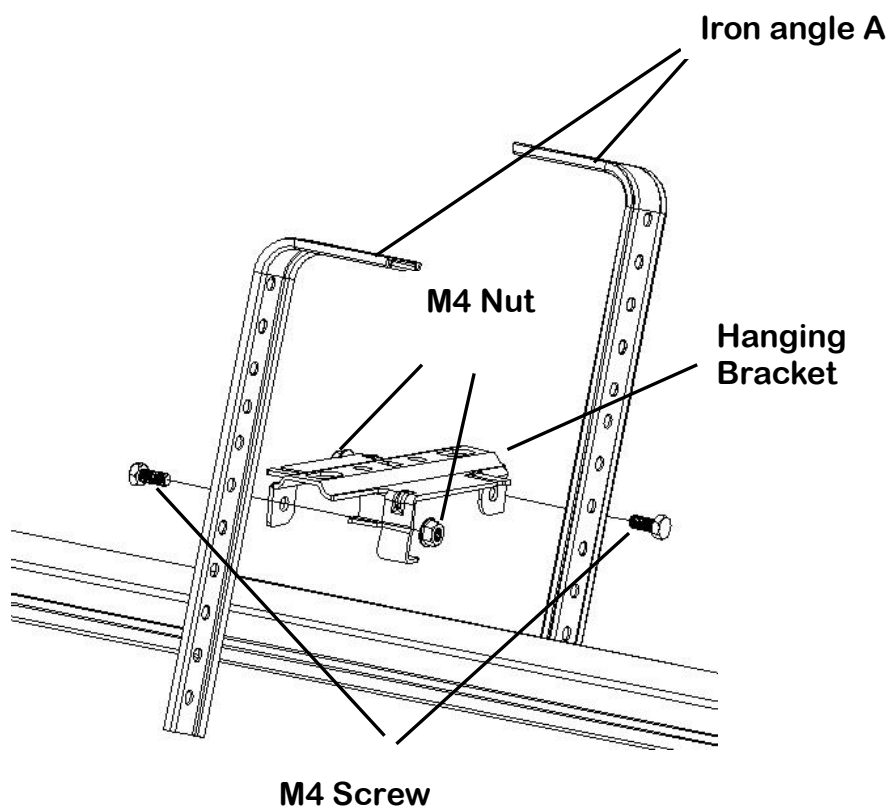


FIG. 8

5. Lift the track horizontally, such that the top of the iron angle A may contact the ceiling just right. Then, determine two mounting points for M8 screws. Drill two pilot holes at the mounting points, insert the two 10×50 expansion pipes, and mount the hanging bracket onto the ceiling by two M8 screws. Make sure the whole assembly is steady.
6. The connection of panel bracket and panel connector refers to the installation of aluminum track.
7. Connect the door and the garage door opener.
  - Install the door bracket at the top of the center line of the door by two M6 screws.

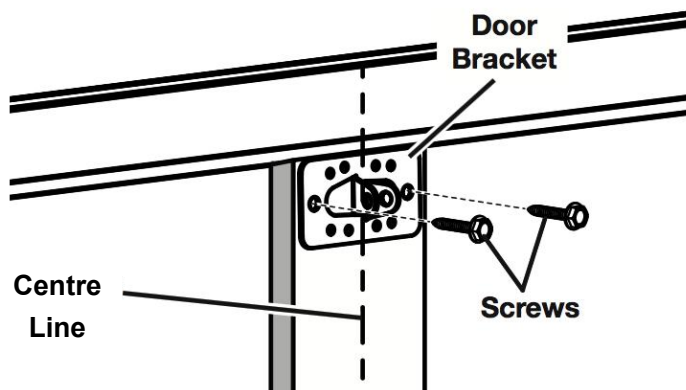


FIG. 9

- Connect the straight arm and the trolley by 1.8×38 hitch pin and  $\phi 8 \times 25$  cotter pin.
- Connect the bent arm and the door bracket by 1.8×38 hitch pin and  $\phi 8 \times 25$  cotter pin.

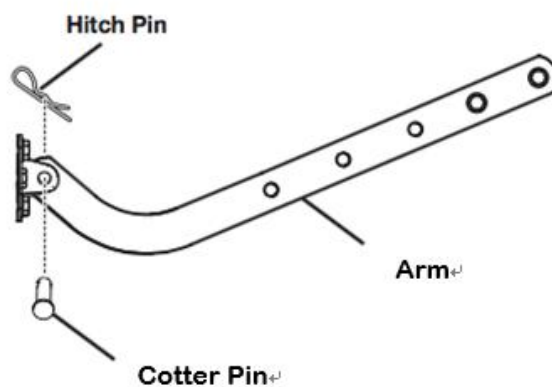


FIG. 10

- Move the trolley to an appropriate position in order to connect the bent arm and the straight arm by two pairs of M6 nuts and M6 bolts.

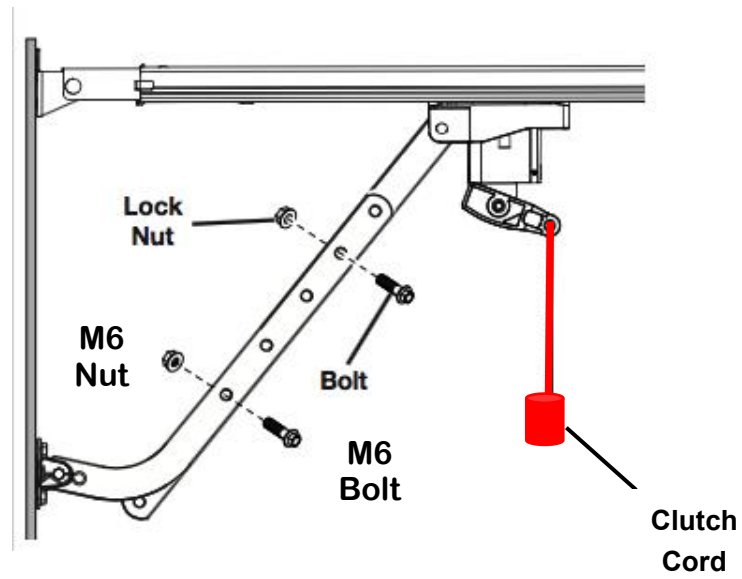


FIG. 11

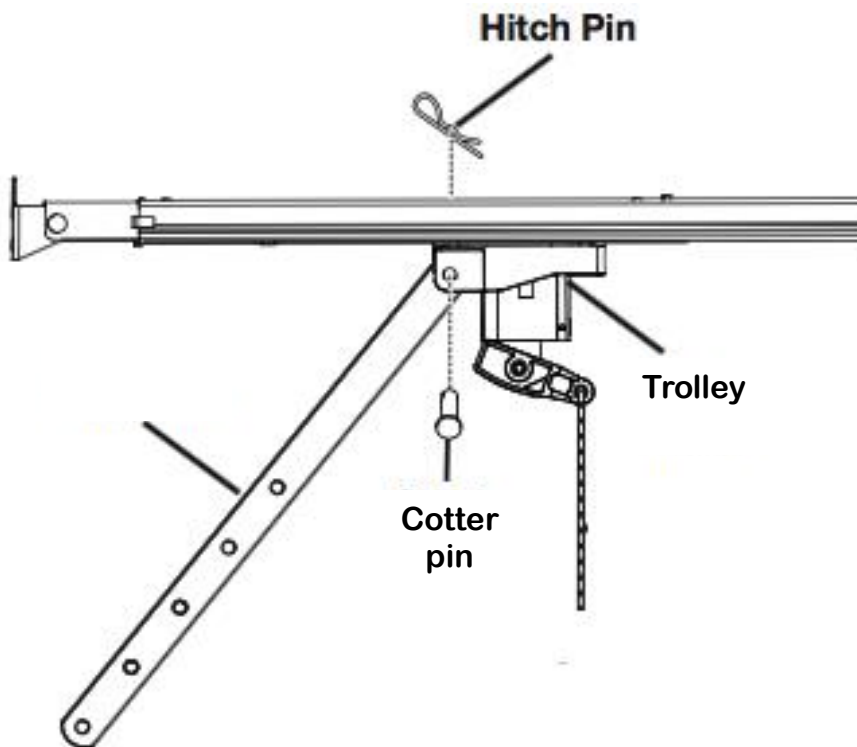


FIG. 12

8. Connect the clutch cord to the trolley.
9. Release the clutch by pulling down the clutch cord. Try to open and close the door by hand. Make sure there is no abnormal resistance between door panel and track along the whole travel.
10. Connect the opener with power supply and set up the opener.

Notice: Make sure the opener's voltage is in accordance with the local voltage. Connect the opener to a properly earthed power supply.

## Installation (sectional steel track)

- Put the trolley into the track

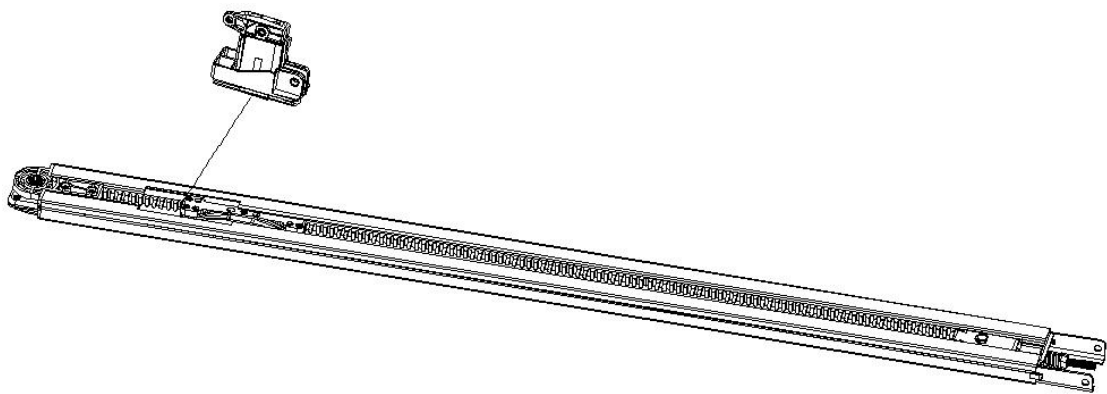


FIG. 13

# Installation recommendations

**Remember** there are specific standards that have to be strictly followed regarding the safety rules of electrical installations and automatic gates and doors.

As for the legal requirements and standards that must be adhered to, please take notice of the following points to ensure maximum safety and reliability of your installation.

1. Before installing check the surrounding environment. Carefully evaluate any hazards which could be physical damage (transiting vehicles, parts of trees falling etc.), possible contact with persons' bodies (insects, leaves, etc.), flooding hazards, or any others exceptional events.

2. Check the main voltage numbers is the same as the numbers that are given on the rating plate and in this manual.

3. Check and make sure if there is suitable electrical protection against short circuits/power spikes and proper earthing on the main supply.

**Remember** the unit having main voltage running through it (electrocution hazard, fire hazard).

4. Take care with the control unit; the parts may be subject to damage if the control unit is abused.

5. Make sure that you have all the necessary materials, and they are suitable for this kind of use.

6. Read all the instructions thoroughly, and make sure they are understood before attempting to install the opener.

7. Before starting the installation carefully analyze all the risks relating to automating the door. Verify that the door is automated in a sound condition and that the mechanisms are in good working order. Observe the safety margins and minimum distances.

8. Carefully evaluate the safety devices to be installed and the right place to install them; always install an emergency stop device for power interruption to the opener if it is required.

9. Once the risks have been analyzed, install the opener and relative safety devices, emergency stop and/or photoelectric cells.

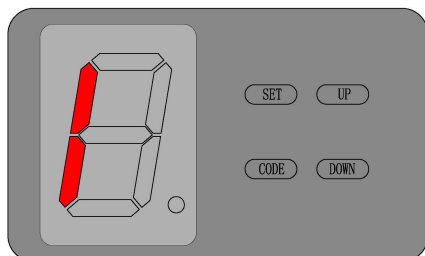
**Important note:** As for additional safety rules, we strongly recommends the fitting of Photo Electric safety beams on all installations.

10. While installing the opener, strictly follow all the instructions given in the instruction manual. If some points or procedures in this manual are not very clear do not install the unit until all doubts have been cleared up with our technical department.

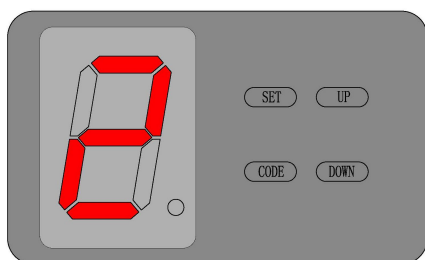
# Basic function setting and applying

## 1. Itinerary setting

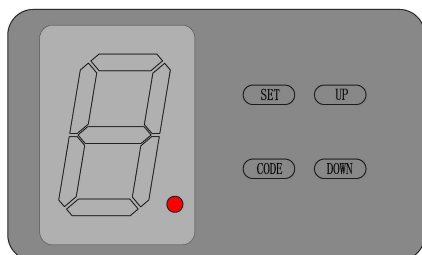
Opening & closing force dynamically self-learning



Press 'SET' button and hold on until the LED displays figure '1', then adjust the up limit by pressing 'up' button. Fine-tuning 'up' or 'down' button to determine the final up limit position then press 'set' button the display turn into '2' automatically. Adjust the down limit by pressing 'down' button. Fine-tuning 'up' or 'down' button to determine the final down limit position then press 'set' button. The opener will operate a cycle automatically to remember the limit positions and the opening & closing force.

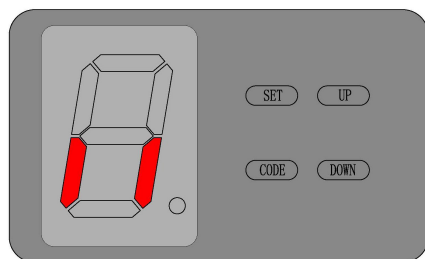


## 2. Matching the receiver and transmitter



Press 'CODE' button and hold on until the LED dot flashes. (Fig. A) Then press any button (except the lock button) on the transmitter twice, the dot will be off; press the button again the dot will fast flash then LED displays '11' (Fig. B). After that the transmitter will be available. It will be able to control the open, close, stop of the garage door driver.

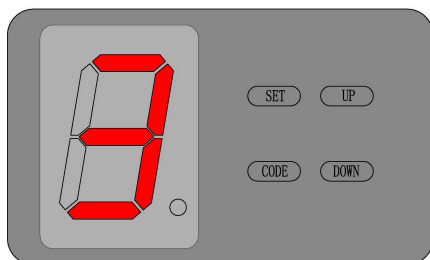
Fig. A



Press 'CODE' button more than 8 seconds (the LED dot flashes) until the LED displays 'C', all the stored codes will be deleted.

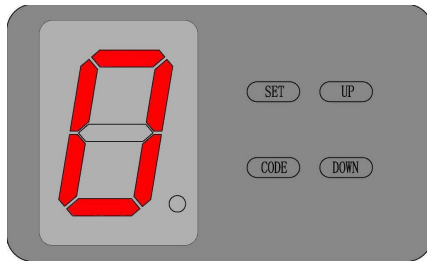
Fig. B

## 3. Safety reverse force adjustment



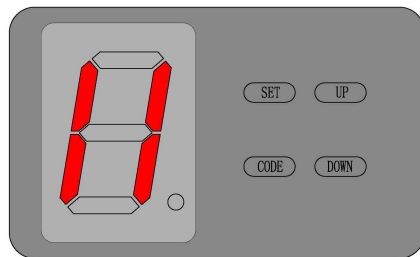
Press 'SET' button and hold on until the LED displays '3'. It's under force adjustment mode. The maximum force is 9 and the minimum is 1. Press 'UP' button to increase the force and 'DOWN' button to decrease the force according to actual situation. The display on LED is the current force rate. Press 'SET' button to confirm.

#### 4. Auto-close setting



Press 'UP' button and hold on until the LED displays '0'. Press 'UP' button once, the auto-close time will increase 1 level, total 1-9 levels, the maximum time level is 9 (every one level is equal to about 1 minute). Press 'DOWN' button the auto-close time decrease 1 level. The display number will be a cycle of 0~9. The auto-close function will be turned off when LED displays '0'. Press 'SET' button to confirm. When the auto-close function is activated, the full opened door will auto-close after the set time.

#### 5. Photo beam setting



Press 'DOWN' button and hold on until the LED displays '11', press 'UP' button the LED displays 'H', photo beam function is available. Press 'DOWN' button the LED displays '11' to cancel this function. When setting is finished, press 'SET' to confirm. When need to activate photo beam function, the photo beam need to be connected first. When connecting pulsed quantity control infrared sensor, wiring as FIG. 14. When infrared sensor is controlled by switch value, wiring as FIG. 15 Notice: If photo beam function is activated, while the photo beam is not

#### 6. O/S/C Terminal

Connecting a touch off switch to this terminal, you can use the switch inside the garage to control the open/stop/close of the door when maintaining or the transmitter is lost (FIG. 16).

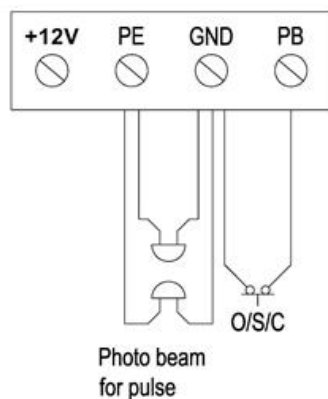


FIG. 14

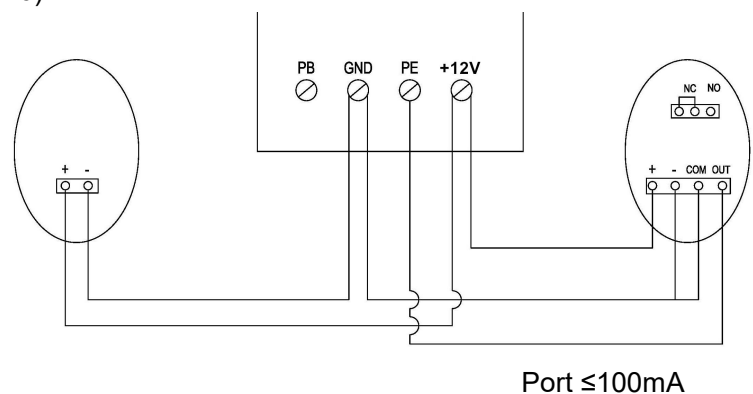


FIG. 15



# Special function introduction and application (optional)

The following functions are made to order in accordance with the special needs of customers:

1. OPEN CODE function

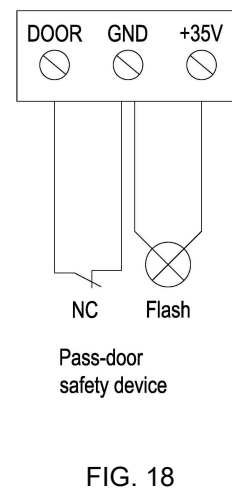
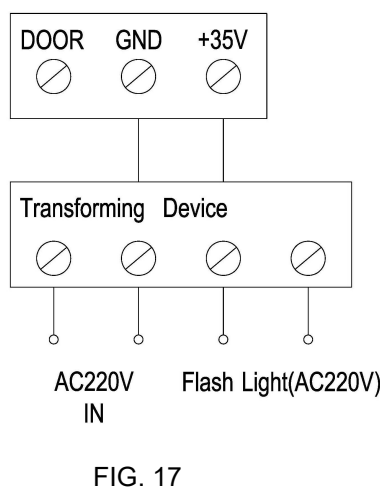
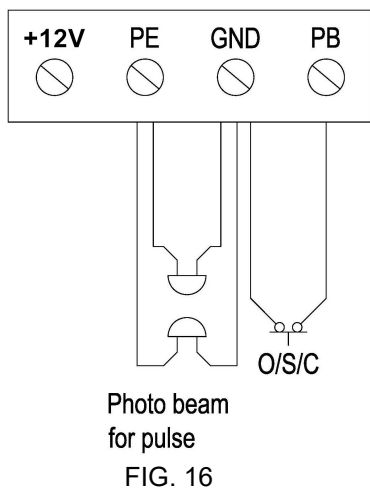
This means without customer code, is available for ASK301 rolling code encoder. After choosing this function, the remote controls from different factories with same 433.92MHz frequency and same ASK301 rolling code will be able to be received by the opener receiver.

2. Caution light function

There are corresponding accesses for this function and provide 24v-35v caution light voltage. Suitable for caution light with DC 24v-28v, current≤300mA. For use AC 220V power caution lights, please purchase the adapter, and wiring as required (Fig.17).

3. Pass door protection

This function ensure that the door can't be opened until the small passing door is closed. The door panel won't be damaged (FIG. 18).



## Manual disengagement

The opener is equipped with a manual release cord to disengage shuttle and move door by hand while holding the handle down (FIG. 19). Pull on the handle to disengage the shuttle. To re-engage the door simply run opener in automatic mode or move door by hand until the trolley engages in the chain shuttle.

In some situations that a pedestrian door is not in state, it is recommended that an external disengagement device should be fitted (FIG. 20).

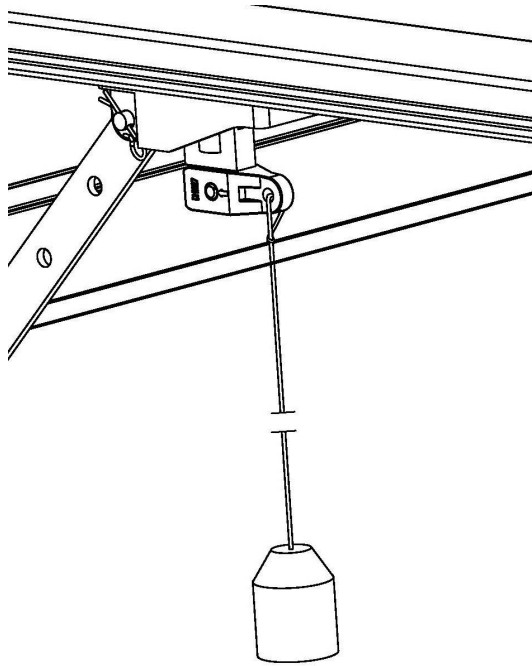


FIG. 19

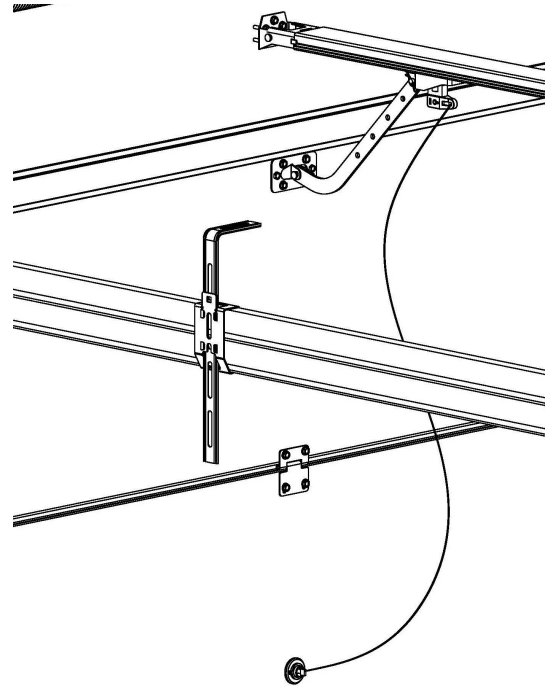


FIG. 20

## Maintenance

1. No particular maintenance is required for the logic circuit board.  
Check the door at least twice a year if it is properly balanced, and all working parts are in good working condition or not.  
Check the reversing sensitivity at least twice a year, and adjust if it is necessary.  
Make sure that the safety devices are working effectively (photo beams, etc.)
2. Light bulb replacing:  
Notice: Make sure the power supply has been cut off before replacing the light bulb. And ensure the voltage of the new light bulb is in accordance with the local voltage and the power is within 25 Watt.  
Demount the screws on the lamp cover. Take the lamp cover away then twist off the old light bulbs anti-clockwise. Fix the new lamp bulb and lamp cover.

**Notice: A rude operating door can affect the life of the automatic opener due to incorrect loads, and will void the warranty.**

## Technical specifications

	VT 1000E	VT PRO
Power Input	245W	260W
Input Voltage	220V ~ 240V AC, 50Hz	
Light time	3 minutes	
Working temperature	-20°C ~ 40°C	
Relative Humidity	<90%	
Max force	1000N	1200N
Rated load	400N	450N
Reception frequency	433.92 MHz or according to customer's requirement	
Sensitivity	>1 V for correct receiver signal	
Decoding	Rolling code	
Transmitter power	27A 12V Battery	
Lamp	LED, 24V DC	



## Manufacturer's Declaration

We hereby declare that the product of this model corresponds in its design, construction and version to the relevant and basic health and safety requirements of the following standards as follows:

AS/NZS60335.2.95 including A1;

CISPR 14-1: 2005+A1:2008+A2:2011;

## Final notes

This manual is only used by technical persons who are qualified to carry out the installation.

No given information in this manual can be considered of any interest to the end user.

It is important for the installer to show their clients correct operation using of the opener including the using of manual disengagement cord.

Inform the owner about the need of a regular and accurate maintenance, especially regarding a regular check of the safety and reversing devices.

## Important information for the user

Once the opener has been installed, the user must be informed about how it works and all the risks that can arise if it is used improperly. The user must avoid placing himself/herself in dangerous situations such as standing within the door's operating range when it is moving.

**Do not** let children play near the door, and keep the remote controls out of their reach.

All services, repairs or checks must be carried out by professionally qualified persons, and noted on a maintenance register kept by the user.

**IMPORTANT NOTE:** In the case of a malfunction the user must call an authorized installer and should not attempt to repair it by yourself.

## Packing list

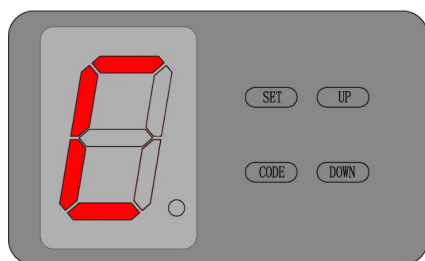
Item	Quantity
Door opener	1
Track ( incl. Clutch)	1
Remote control	2
Door bracket	1
Wall bracket	1
“U” bracket	2
Hanging bracket	2
Track bracket	1
Clutch cord	1
Cord pendant	1
Straight arm	1
Bent arm	1
Fixing kit	1
Wall button	1
Accessories package	1

# Warranty

## Vicway Australia Pty Ltd Limited Warranty Vicway VT1000E, VT PRO Door Openers

Vicway Australia Pty Ltd warrants to the original purchaser of the Vicway Door Openers that all parts of the Unit, other than the remote control transmitters and accessories, globes and batteries, are free from defects in materials and workmanship for a period of 24 months(6000 cycles), from the date of purchase and installation in a residential premise on a specified garage door that is designed for the sole purpose of domestic use. This Warranty is given in addition to any rights that you may have under the Australian Consumer protection laws.

### Maintenance reminder



LED light will flash when the motor reaches 6,000 cycles (incl. one opening and one closing), this is an alert for that the unit is due for maintenance.

**- please contact service technician -**

### Warranty Conditions

It is a condition of this Vicway Australia Pty Ltd Warranty that the Unit is sold, installed and serviced by a Qualified Installer/Dealer. Any Vicway branded garage door opener purchased on-line (over the internet) and installed by any person other than Qualified Installer/Dealer will not be covered by this Vicway Australia Pty Ltd Warranty. It is also a condition of the Vicway Australia Pty Ltd Warranty that the Unit is serviced by a Vicway Australia Pty Ltd Service Technician within the first 24 month period after the installation date and then at intervals not exceeding 24 months thereafter. Service enquiries should be directed to Vicway Australia Pty Ltd on 1300 783 591. The garage door service fee is payable by the owner.

Repairs and replacement parts provided under this Vicway Australia Pty Ltd Warranty are provided free of charge and warranted for the remaining balance of the original warranty period.

### Exclusions

If our Service Technician determines that a warranty claim has been made in respect of a failure or defect arising under or out of any exclusion detailed below such that the claim is not covered under the Vicway Australia Pty Ltd Warranty, we may, subject to your other rights as a consumer, charge you a fee to repair, replace and/or return the Unit to you.

This warranty does not cover any failure of the Unit due to:

1. Non-compliance with the included instructions regarding installation, operation, maintenance and testing of the Unit or of any product with which the Unit is used.
2. Any attempt to repair, dismantle, reinstall or move the unit to another location once the unit is installed by any person other than an Authorised Installer.
3. Tampering, neglect, abuse, wear and tear, accident, electrical storm, excessive use or conditions other than normal domestic use.
4. Problems with, or relating to, the garage door or garage door hardware, including but not limited to the door springs, door rollers, door alignment or hinges.
5. Damage caused by insects or any other pests.
6. Interference caused by other radio or electrical signals.
7. Problems caused by electrical faults or replacement of batteries or light globes.
8. Water or moisture entry that causes corrosion or malfunction of electrical components.
9. Lack of proper servicing and maintenance to door, hardware and any other accessory associated with the operation of the unit.
10. Corrosion caused by sea air if located near a waterway or beach etc.
11. Installation to a commercial door or in a commercial operating application.

#### **Liability – Australia only**

Under no circumstances shall the Seller be liable for consequential, incidental or special damages arising in connection with the use, or inability to use, the Unit. In no event shall the Seller's liability for damages or injury arising from of law or contract or for negligence, exceed the cost of repairing or replacing the Unit or refunding the purchase price of the unit.

Under Division 2 Part V of the Trade practices act, 1974, certain warranties and conditions (Implied Terms) are implied into contracts for the supply of goods or services if the goods or services are of a kind ordinarily acquired for personal, domestic or household use or consumption. Liability for breach of those Implied Terms cannot be excluded or limited and the limitations and exclusions above do not apply to the Implied Terms.

Except for the Implied Terms and the warranties set out above, the Seller excludes all warranties and conditions implied by statute, at law, in fact or otherwise.

#### **Note**

We request that you attach your sales docket or invoice to this warranty to enable you to establish the date of purchase/installation in the unlikely event of a service call being made. It will also be required as proof of purchase and service history in the event of a claim being made against this warranty.

Failure to comply with these Terms and Conditions will void the Warranty.

**Contact Details**

VICWAY AUSTRALIA PTY LTD  
20 EARL STREET  
AIRPORT WEST VIC 3042

Phone: (03) 9338 6698  
1300 783 591

Fax: (03) 9338 6639

Email: [enquiries@vicway.com.au](mailto:enquiries@vicway.com.au)