

# Installation/Owners Manual



## Ranger® Swing Gate Operators 16 Inch Stroke



**MADE IN THE USA**



## Ranger® HD Swing Gate Operator 24 Inch Stroke

**Heavy Duty**

**Battery Powered**

**Solar or AC Charged**

# **RANGER Series** AUTOMATIC GATE OPERATORS

**This Ranger Gate Operator is intended to be installed on the four different classes of gate operators identified in the UL325 Standards.**

## **RESIDENTIAL VEHICULAR GATE OPERATOR – CLASS I**

A vehicular gate operator (or system) intended for use in garages or parking areas associated with a residence of one-to four single families.

## **COMMERCIAL/GENERAL ACCESS VEHICULAR GATE OPERATOR – CLASS II**

A vehicular gate operator (or system) intended for use in a commercial location or building such as a multi-family housing unit (five or more single family units), hotel, garages, retail store, or other buildings accessible by or servicing the general public.

## **INDUSTRIAL/LIMITED ACCESS VEHICULAR GATE OPERATOR – CLASS III**

A vehicular gate operator (or system) intended for use in an industrial location or building such as a factory or loading dock area or other locations not accessible by or intended to service the general public.

## **RESTRICTED ACCESS VEHICULAR GATE OPERATOR – CLASS IV**

A vehicular gate operator (or system) intended for use in a guarded industrial location or building such as an airport security area or other restricted access locations not servicing the general public, in which unauthorized access is prevented via supervision by security personnel.

## **Solar Friendly**

The system design and the accessories recommended are all Solar Friendly meaning that they require the least amount of energy possible to perform the job they were designed to do. The solar option allows you to install the gate operator in remote areas or in applications where you prefer to be solar charged. Solar charging provides additional isolation from lightning that might damage the unit via the AC power needed for the transformer.

## **BATTERY REQUIRED FOR OPERATION** *(Battery not included)*

### **Recommended battery type:**

Battery 12-volt, Group U-1; sealed (maintenance free); 30 amp hour minimum.

Using a smaller amp hour battery may cause damage to the charging system.

The wiring harness has two 1/4" ring terminals to connect to battery posts.

**CAUTION: Do not install wet cell battery into control box; this type of battery usually has removable caps used for service and will vent into control box.**

The battery is charged using the 120V DC Adaptor (PN #520009) **OR** the Solar Panel kit (PN 520026). For information on what you can expect from a solar charged system see the solar charging section of this manual.

## **PLEASE READ THE ENTIRE MANUAL CAREFULLY PRIOR TO INSTALLATION.**

Study the entire Safety Section paying particularly close attention to the entrapment zones and install monitored entrapment devices to protect all entrapment zones identified. Installation by a Qualified Technician is recommended to verify all safety concerns are addressed.

© USAutomatic, LLC, 2019 rev. A

All rights reserved. No part of this manual may be reproduced by any means without the expressed written consent of the publisher.

USAutomatic Part # 720007



# TABLE OF CONTENTS

## INTRODUCTION

- Entrapment Devices Required and Approved for Operation ..... 2
- Entrapment Zones ..... 3
- Important Safety Instructions ..... 4-5
- Ranger Parts Inventory ..... 6-7
- General Tool Requirements ..... 7
- Actuator Dimensions / Control Box Dimensions ..... 8-9
- Gate Qualifications/Applications ..... 9
- Proper Gate Design ..... 10

## INSTALLATION STEPS

- 1. Mounting Site Review .....11
- 2. Determine Opening Method (pull to open or push to open) ..... 12
- 3. Determine Horizontal Mounting Location ..... 13
- 4. Determine Best Method for Actuator Mounting Brackets - Pull to Open ..... 14
- Determine Best Method for Actuator Mounting Brackets - Push to Open ..... 15
- Determine Best Method for Actuator Mounting Brackets - Columns ..... 16
- 5. Mount Support Bracket ..... 17
- 6. Installing Actuator Mounting Tube - Pull to Open ..... 18
- Installing Actuator Mounting Tube - Push to Open ..... 19
- 7. Installing Linear Actuator to Actuator Mounting Bracket ..... 20
- 8. Install Gate Bracket to Linear Actuator ..... 21
- 9. Install Gate Bracket to Gate ..... 21
- 10. Install Ranger Control Box and Linear Actuator Cable ..... 22
- 11. Splicing Linear Actuator Cable Cable and Dual Gate Cable ..... 23
- 12. Installing Monitored Entrapment Protection Devices ..... 24
- Monitored Photo Eye Installation ..... 24
- Monitored Contact Edge Installation ..... 24
- Constant Pressure Installation ..... 25
- 13. Install Wiring Harness and Battery ..... 24
- 14. Install Battery Controller Power Source (AC or Solar) ..... 25-26
- 15. Connect Power Source to Battery Controller ..... 27
- 16. Install Safety Signs / Connect Linear Actuator to Control Board ..... 27
- 17. Operating Gate For The First Time..... 28
- 18. Limit Adjustments ..... 29
- 19. PWM Adaptive Soft Stop Speed Control Adjustment ..... 30
- 23. Sensitivity Adjustments and Entrapment Alarm ..... 31
- 24. Verifying Monitored Entrapment Protection Devices Operation..... 31-32
- 17. Ranger Control Board Information ..... 33-35
- 25. Programming Transmitter, Receiver and Wireless Keypad ..... 36-39
- 27. Emergency Manual Release ..... 40

## PERIODIC SERVICE ..... 40

## ACCESSORIES ..... 41-43

## TROUBLESHOOTING ..... 44-52

## APPENDIX

- A. USAutomatic Battery Controller ..... 53
- B. Photo Eye Vehicular Protection Only ..... 54-55
- C. Installing APP Receiver ..... 56
- D. Extending Charge Device Location AC or Solar ..... 56

## WARRANTY ..... 57



# Entrapment Devices Required and Approved for Operation

Effective August 1, 2018 a vehicular swing gate operator must have provisions for, or be supplied with, at least two independent entrapment protection means for each direction of travel as specified in current UL325 standard Table 31.1. At installation, both entrapment protection devices must be installed and operational before gate operation is allowed. \*Exception allowed if no entrapment exist in one direction of travel then only 1 device is required, the other direction must have 2 entrapment protection devices active. The gate operator will monitor for proper operation before movement is allowed.

USAutomatic control boards utilize type A (Inherent entrapment protection system) as the first entrapment protection means identified. The second entrapment device identified must be a monitored Type B1 or Type B2 device that has been tested and approved with the gate operator. These devices are listed below.

USAutomatic control boards can monitor one photo eye (B1) for the open direction, one photo eye (B1) for the closed direction and one contact edge (B2) for the open/close direction. If additional entrapment devices are required the USAutomatic expansion module (part # 500015) is required  
Type B1 - Non-contact sensor (photoelectric sensor or the equivalent). Identified as Normally Closed N/C contact switching.

Type B2 - Contact sensor (edge device or the equivalent). Identified as 10K resistor installed for presence monitoring.

Type D - Actuating device requiring continuous pressure to maintain motion of the gate.  
User must be within sight of the gate and verify gate path is clear before operating.

## External entrapment devices approved for use are listed below

### Wired Contact Edge Type B2 Devices

**Manufacturer: ASO**

Models: Sentir Edge 95.25, 92.20, 85, 35.55, 65, 25.30, 25.45, 15.10

**Manufacturer: Miller Edge**

Models: MGR20, MGS20, ME120, MG020, ME112, MG123

### Wireless Contact Edge Type B2 Devices

**Transmitter Solutions:** IGAZE RE KIT-UL

**EMX Model:** WEL-200K

### Non-Contact sensors (photoelectric sensor or the equivalent) Type B1 Devices

**Manufacturer: USAutomatic, LLC**

Models: 550011, 550014

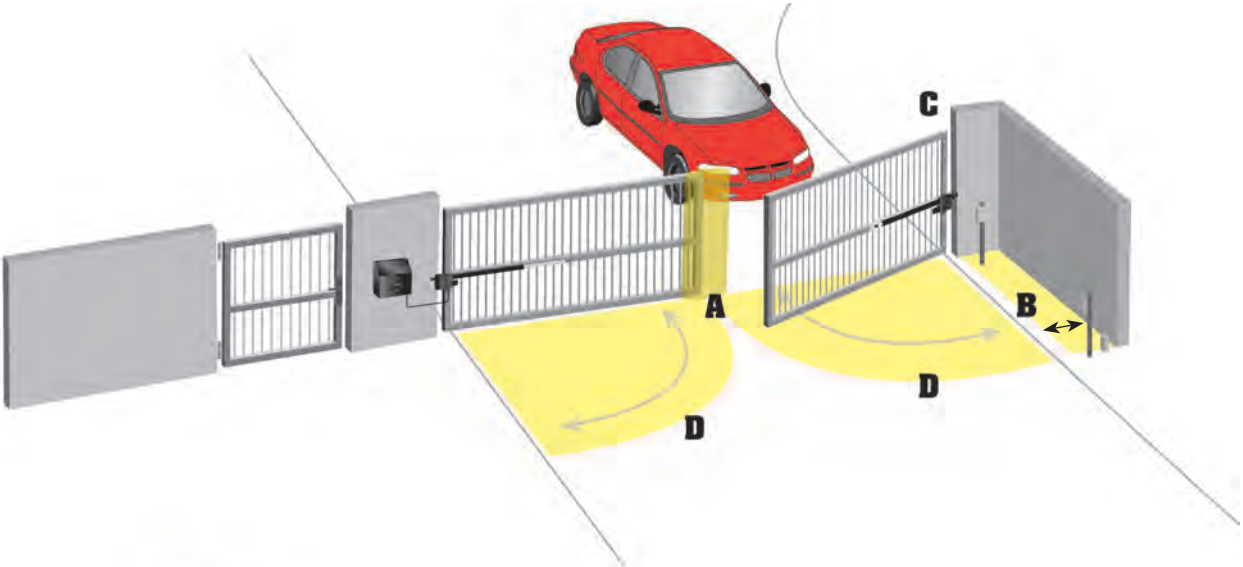
The entrapment zones illustrations on the following page defines the most common entrapment areas. It is the responsibility of the installer to identify all entrapment areas and install the appropriate compliant monitored entrapment device or devices to protect each area identified.

**USAutomatic recommends upgrading all systems to current UL325 standards.**

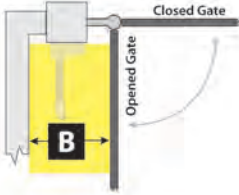


# ENTRAPMENT ZONES

The illustrations below are a guide to help identify entrapment areas for swing gate installations that must be protected. Other entrapment areas may exist and must be identified by the installer and protected by the appropriate entrapment protection device for the situation.

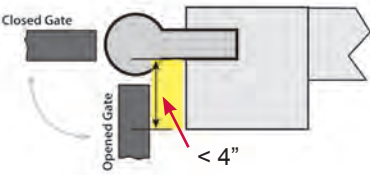


**Zone A** - Leading edge of gate where it meets a 2nd gate, stop post or passes a column or post corner. - recommended monitored entrapment protection type is B2 contact sensor or equivalent.

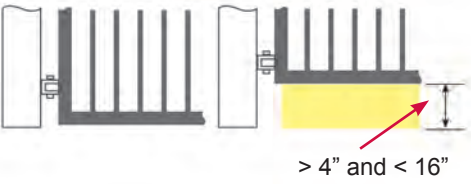


**Zone B** - Gate opens toward an immovable object with less than 16 inches (40.6 cm) of clearance - recommended monitored entrapment protection type B1 photo eye or equivalent. If space is less than 16" (40.6 cm), entrapment protection in this area is required.

*(ASTM F2200: 7.1.1.1 and 7.1.1.2)*



**Zone C** - If distance from center of hinge rotation point to corner of column, post or immovable object is greater than 4 inches (10.16 cm), recommended monitored entrapment protection type is B2 contact sensor or equivalent.



**Zone D** - If the bottom edge of a swing gate is greater than 4 inches (10.16 cm) and less than 16 inches (40.6 cm) above the ground at any point in its arc of travel, one or more contact sensors must be located on the bottom edge of the gate.

# IMPORTANT SAFETY INSTRUCTIONS

## WARNING - TO REDUCE THE RISK OF INJURY OR DEATH

1. READ AND FOLLOW ALL INSTRUCTIONS
2. SAVE THESE INSTRUCTIONS!!
3. Always keep people and objects away from the gate. NO ONE SHOULD CROSS THE PATH OF A MOVING GATE.
4. Test gate operator monthly. The gate must stop and reverse directions upon contacting a rigid object or when the secondary entrapment device is activated.
5. After all adjustments have been made to the sensitivity (current sense) circuit, secondary entrapment devices and all other external devices installed, the safety devices must be checked again. Failure to adjust and retest the gate operator can increase the risk of injury or death. A Qualified technician should check these periodically for proper operation.
6. Use the emergency release ONLY when gate is not moving.
7. KEEP GATES PROPERLY MAINTAINED. Tighten all bolts and grease hinges and pivot points.
8. THE ENTRANCE IS TO BE USED BY VEHICLES ONLY. Pedestrians must use a separate entrance.
9. Never let children operate or play with gate controls or any other activation device. Keep remote control away from children.
10. The operator is intended for installation only on gates used for vehicles. Pedestrians must be supplied with a separate access opening. The pedestrian access opening shall be designed to promote pedestrian usage. Locate the gate such that persons will not come in contact with the vehicular gate during the entire path of travel.
11. The gate must be installed in a location so that enough clearance is supplied between the gate and adjacent structures when opening and closing to reduce the risk of entrapment.
12. Do not attempt to enter the gate area while the gate is moving. Wait until the gate comes to a complete stop.
13. DO NOT ALLOW CHILDREN TO PLAY IN THE AREA OF THE GATE.
14. Do not allow anyone to ride on the gate.
15. Operate the gate only when it is fully visible, free of persons or obstructions, and properly adjusted.
16. All controls are located at least six feet away from the gate to eliminate the chance of the person operating the gate from coming in contact with the moving gate. Do not install external buttons, which can be used to operate the gate within the reach of children.  
*\*Exception: Emergency access controls only accessible by authorized personnel may be placed at any location in line-of-sight of the gate.*
17. Both Safety Signs are installed, one on each side of the gate and visible in the gate area.

# SAFETY INSTALLATION INFORMATION

## Install the gate operator when:

- Operator is appropriate for the construction of the gate and usage class is correct for the installation.
- All exposed pinch points are eliminated or guarded.
- The gate is installed in a location where enough space is supplied between adjacent structures and the gate that when opening or closing the chance of entrapment is reduced.
- The gate is properly installed and moves freely in both directions. Do not over adjust the sensitivity adjustment to compensate for an improper gate installation.
- All hard wired sensors used for monitored entrapment protection devices and their wiring are installed in a manner which protects them from mechanical damage.
- The Reset button must be located in the line-of-sight of the gate. Activation of the reset button shall not cause the operator to start.

## Non Contact Sensors - Type B1 - Photo Eyes or equivalent

1. See entrapment zones for suggestions on placement of sensors.
2. Care shall be exercised to reduce the risk of nuisance tripping, such as when a vehicle trips the sensor while the gate is still moving.
3. One or more non-contact sensors shall be located where the risk of entrapment or obstruction exist, such as the area reachable by a moving gate.

## Contact Sensors - Type B2 - Contact Edge or equivalent

1. See entrapment zones for suggestions on placement of sensors.
2. One or more sensors shall be located on the inside and outside leading edge of a swing gate.
3. Additionally, if the bottom edge of a swing gate is greater than 4 inches (101.6mm) and less than 16 inches (406mm) above ground at any point in its arc of travel one or more sensors shall be located on the bottom edge.
4. A hardwired sensor shall be located and its wiring arranged so that the wiring between the sensor and the gate operator is not subjected to mechanical damage.
5. A wireless device such as one that transmits (RF) signals to the gate operator for entrapment protection functions shall be located where the transmission of the signals are not obstructed or impeded by building structures , natural landscaping or similar obstruction. A wireless device shall function under the intended end-use conditions.

## Constant Pressure - Type D - Emergency switch or equivalent

1. The gate operator controls must be placed so that the user has full view of the gate area when the gate is moving.
2. An automatic closing device (such as a timer, loop sensor, or similar device) shall not be employed. and no other activation device shall be connected.
3. Placard required shall be placed adjacent to the controls.



# PARTS INVENTORY

## All Operators include:

**Cabinet with Control Board and the following parts:**



- Part # 600140 Cabinet
- Part # 600145 Cover
- Part # 500021 Control Board

Part # 520001 Battery Controller



Part # 030200 Radio Receiver w/Harness



Part # 530015 Secondary Entrapment Siren



Part # 630041 Wiring Harness



### Ranger HD Actuator

Part # 510006  
Ranger I - 1 per  
Ranger II - 2 per



### Pro80 Ranger Actuator

Part # 510310  
Ranger I - 1 per  
Ranger II - 2 per



### Dual Gate Actuator Extension Cable

Part # 630020 - HD - 40'  
Part # 630036 - PRO80 - 35'  
Ranger II ONLY



### 2 Button Transmitter

Part # 030210  
2 per



### DC Adapter (20vdc and 1.2 Amps)

Part # 520009  
with AC Models



### Solar Panel Kit

Part # 520026  
with Solar Models 10w



### Safety Signs

Part # 601020  
2 per



### Photo Eyes

Part # 550011  
1 set per



## Optional Accessories & LCR Items:

*See accessories section for complete list and descriptions*

**4 Button Transmitter** - Part # 030212

**Push to Operate Button** - Part # 030215

**Wireless Keypad - Plastic** - Part # 050500

**Wireless Keypad - Metal** - Part # 050550

**12/24 Receiver** - Part # 030207

**Electric Gate Lock** - Part # 070510

**7 Day Timer** - Part # 550015

**Exit Sensor** - #070305

**Photo Eye** - #550011

**Metal Photo Eye** - #550014



# HARDWARE INVENTORY

## Support Bracket

Part # 610425  
*Ranger I - 1 per*  
*Ranger II - 2 per*



## Mounting Tube

Part # 610102  
*Ranger I - 1 per*  
*Ranger II - 2 per*



## Gate Bracket

Part # 610105 PRO80  
 Part # 610107 HD  
*Ranger I - 1 per*  
*Ranger II - 2 per*



610105 PRO80



610107 HD

## Manual Release Pin

Part # 610534 PRO80  
 Part # 620010 HD  
*Ranger I - 1 per*  
*Ranger II - 2 per*



610534 PRO80



620010 HD

## Manual Release Pin Clip

Part # 620011  
*Ranger I - 1 per*  
*Ranger II - 2 per*



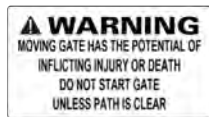
## Nylon Washers

Part # 610528 PRO80  
 Part # 610529 HD  
*Ranger I - 2 per*  
*Ranger II - 4 per*



## Warning Label

Part # 601015



## Bronze Bushing

Part # 610530  
*Ranger I - 2 per*  
*Ranger II - 4 per*



## 3/8" Bolt

Part # 610512  
*Ranger I - 1 per*  
*Ranger II - 2 per*



## 3/8" SAE Flat Washers

Part #610516  
*Ranger I - 2 per*  
*Ranger II - 4 per*



## 3/8" Lock Nuts

Part # 610518  
*Ranger I - 1 per*  
*Ranger II - 2 per*



## Threaded Cable Strain Relief Conn.

Part # 630022  
 1 per



## #12 Self Tapping Hex Screw

Part # 610532  
 4 per



# GENERAL TOOL REQUIREMENTS

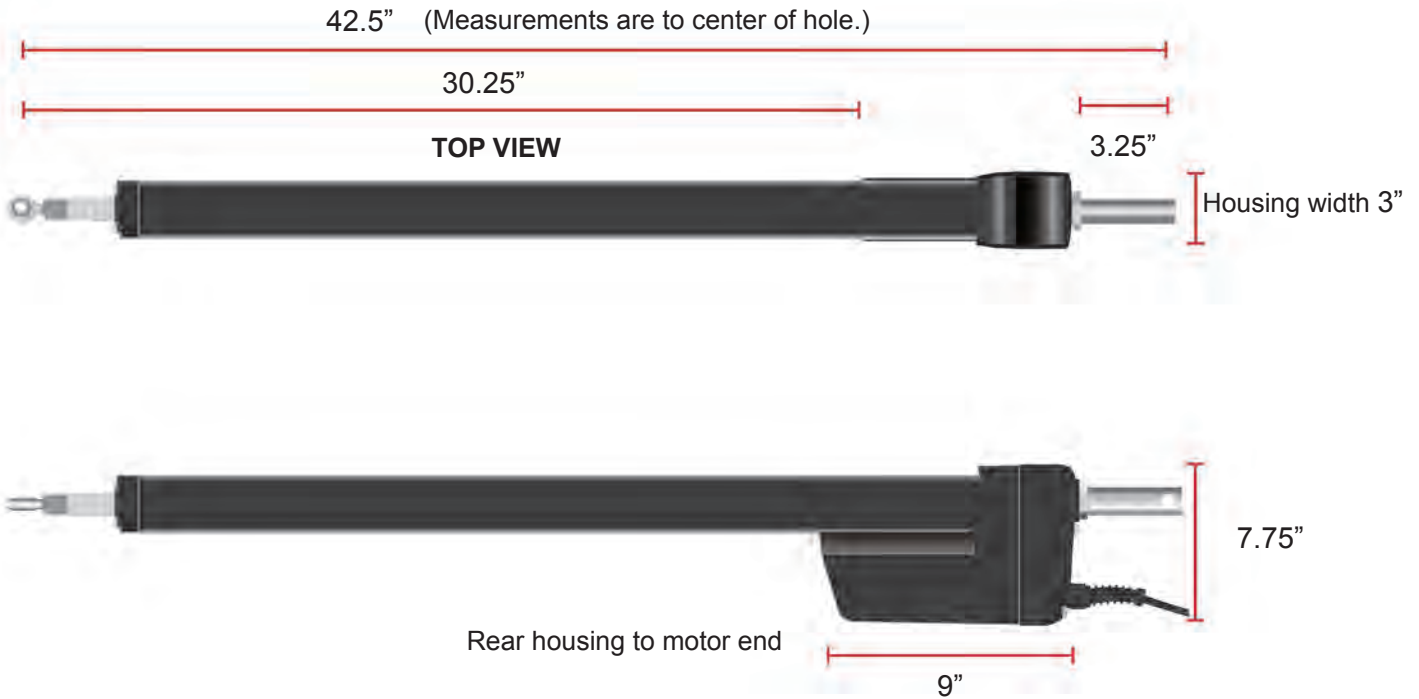
- SAE Standard wrenches & sockets
- Nut driver
- Level and tape measure
- Pliers
- Wire Cutters/Strippers
- Welder
- Drill and bits
- Drill adapter for socket attachment
- Hack saw

Welding is the recommended method of securing the linear actuator mounts to the gate and hinge post. Bolt on brackets require frequent service to keep tight. They must be very securely attached (i.e. carriage bolts with lock nuts and washers). Lag type bolts are not recommended. Loose or unstable linear actuator mounts will result in improper operation.

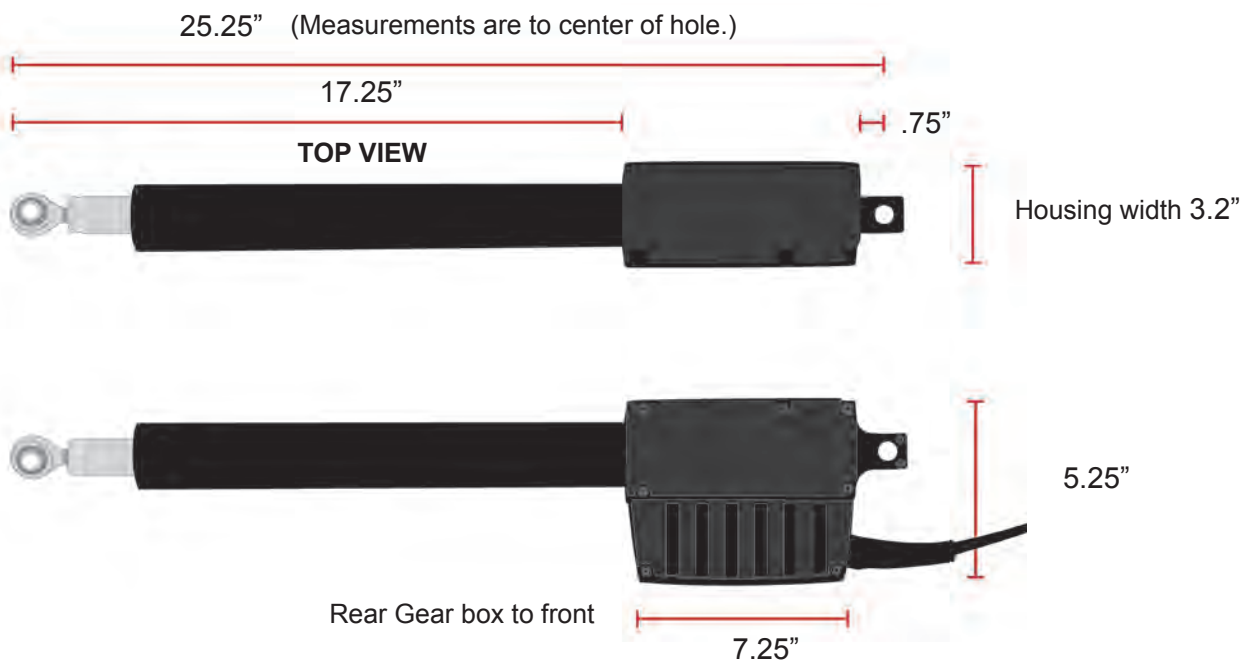


# ACTUATOR DIMENSIONS

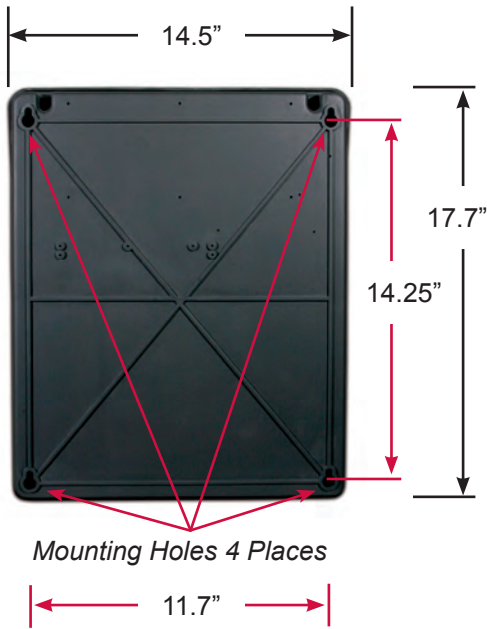
## Ranger HD



## Pro 80



# BOX DIMENSIONS



# GATE QUALIFICATIONS/APPLICATIONS

The pictures below are provided as a guide to help understand the types of gates and size to provide many years of operation.



### Ornamental Iron

PRO80 - 13 feet max length. Max weight 400 lbs.  
 HD - 18 feet length. Max weight 800 lbs.



### Farm Gate

PRO80 / HD 20 feet max length.  
 Max weight 250 lbs.



### Ranch Gate

PRO80 - 16 feet length. Max weight 300 lbs.  
 HD - 16 feet length. Max weight 800 lbs.



### Chain Link Gate

PRO80 - 14 feet length. Max weight 350 lbs.  
 HD - 16 feet length. Max weight 800 lbs.

## PROPER GATE DESIGN

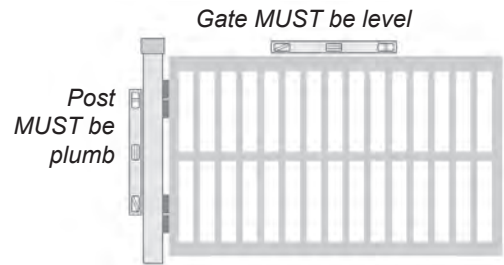
### IMPORTANT- A GATE OPERATOR CANNOT OVERCOME A POORLY DESIGNED GATE.

Since the gate is a major component of the system, great care and concern must be given to the gate design. USAutomatic, LLC is not responsible for any damage to a gate on which the gate operator is installed. A poorly installed or misadjusted gate could be damaged. It is the responsibility of the installer to verify proper gate installation prior to operator installation. As a general rule, a gate, which is to be automatically operated, must be stronger and smoother than one operated manually.

- Does the gate swing smoothly without binds or excessive resistance?
- Swing gates should swing level and plumb to prevent the operator from having to lift the gate open or closed.
- Swing gates should not require a wheel to support them. Wheels create drag, which will cause operator problems. A wheel is generally a sign of a weak hinge system or a weak gate frame.
- Is the gate frame of substantial strength without excessive weight?
- Will the frame withstand normal wind load conditions without sway or vibration?
- Will the gate close correctly without being hand-guided or lifted to close?
- Are the hinges suited for an automatic gate operator? We recommend bearing type hinges to reduce friction drag.
- Will a reinforcement brace be required to attach the linear actuator to the gate or does a suitable cross member exist in the gate design?

**If any of these problems exist, they must be corrected to achieve a reliable automatic gate system.**

All Gates must have smooth bottom edges, no protrusions should exist. If gate hardware or sensors protrude, they must have smooth surfaces free of any sharp cutting edges that do not exceed  $\frac{1}{2}$  inch beyond the base of the gate. (ASTM F2200: 4.8)



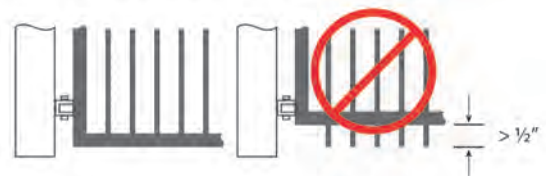
Gate should not require a wheel for support.



Gate should not be unlevel due to weak frame.



Gate should not be unlevel due to unlevel post.







## **I Mounting Site Review**

**Review the following items prior to installation and predetermine the solution to any problems which may exist:**

1. Does sufficient space exist for mounting and future servicing of the operator and control box?
2. Which direction will the gate swing?
  - a. Will the gate operator pull the gate open to the inside (Pull to Open)?
  - b. Will the gate operator push the gate open to the outside (Push to Open)?  
(See Determine Opening Method Section)
3. Where and how will the actuator mounting brackets be secured to the hinge post and to the gate? (See Determine Actuator Mounting Brackets Sections)
4. How will the gate bracket be secured to the gate and will additional reinforcement be required?  
(See Mount Support Bracket Section)
5. Where will the control box be mounted to support the weight of the battery and other components and can it be located within 8 feet to prevent splicing of the linear actuator cable?  
(See Install Ranger Control Box Section)
6. For AC Charged System - How far away is the 120 VAC receptacle for the transformer?  
Transformer is supplied with 10 feet of cable. If extension is needed use power source cable Extension Kit part #630038. See Power Source Cable Extension chart for identifying the wire size needed for the distance required. Transformer must be installed indoors or in a raintight enclosure. Transformer should not be exposed to moisture.
7. For Solar Charged System - Where will the solar panel mount so that optimum sunlight is received? Solar panel is provided with 15 feet of cable, If extension is needed use power source cable Extension Kit part #630038 or 75' Solar Extension part #520016. See Power Source Cable Extension chart for identifying the wire size needed for the distance required. Solar panel typically needs to be facing a South or Southwest direction.
8. How will accessory control wiring, if any, be brought to the control box? Knock outs are provided in control box bottom for conduit.
9. Have all safety concerns been addressed? Study the Safety Section and Entrapment Zones for more information.
10. Identify entrapment areas. Determine the appropriate UL325 compliant monitored entrapment device/devices that will be used to protect all entrapment areas.
11. Is there enough space beneath the linear actuator for the cable so that damage to the cable does not occur? Actuator must not be installed with cable on the top side of the actuator. Cable must exit actuator on the bottom side to prevent water from entering housing. (See Horizontal Mounting Location Section)

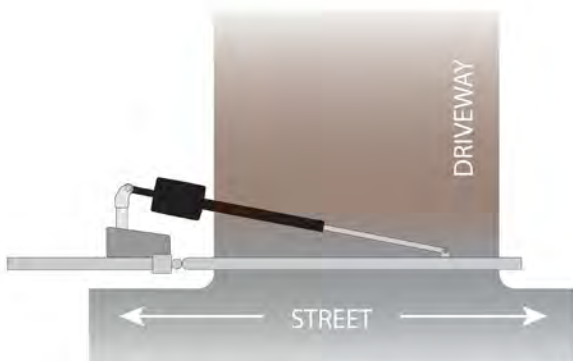


## 2 Determine Opening Method (PRO80 or HD) (pull to open or push to open)

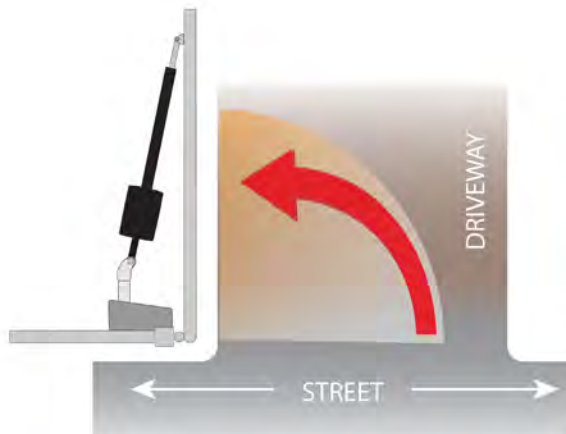
### Pull to Open Installation

This installation method is the most common where the gate swings into the property and the operator **pulls** the gate open.

EXTENDED (Gate Closed)



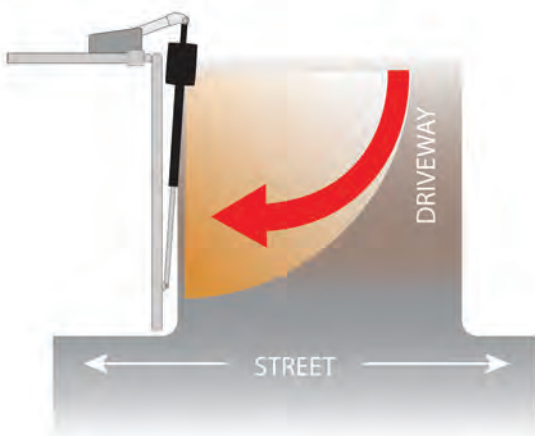
RETRACTED (Gate Open)



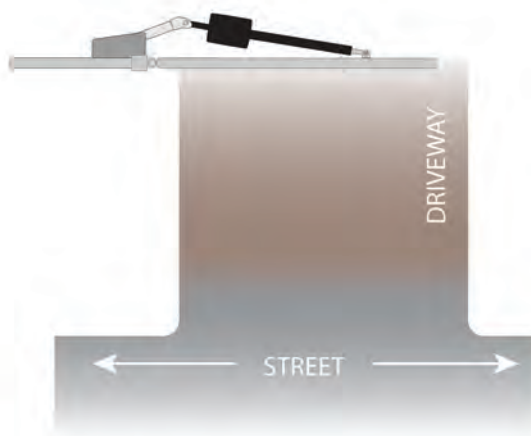
### Push to Open Installation

This installation method is commonly used where the drive slopes upward into the property and the operator **pushes** the gate open. The gate swings outward away from the property.

EXTENDED (Gate Open)



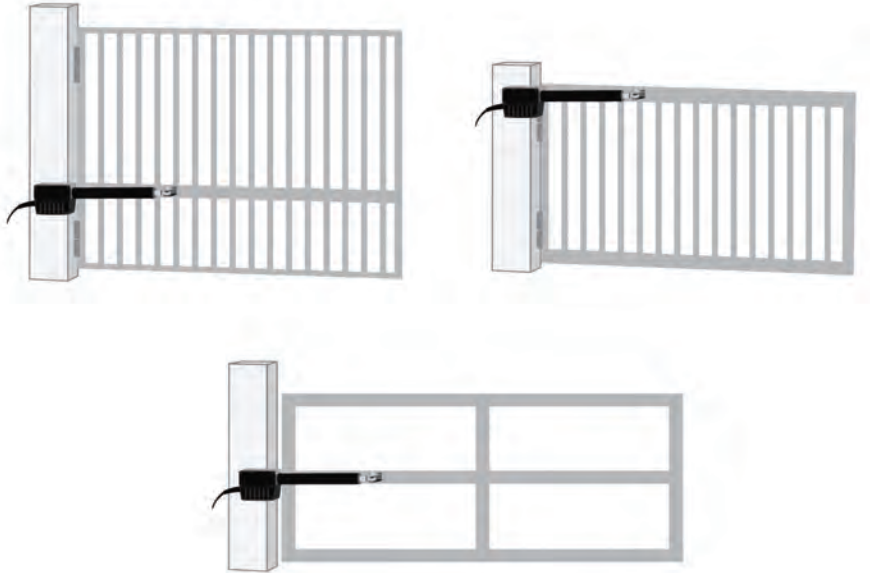
RETRACTED (Gate Closed)



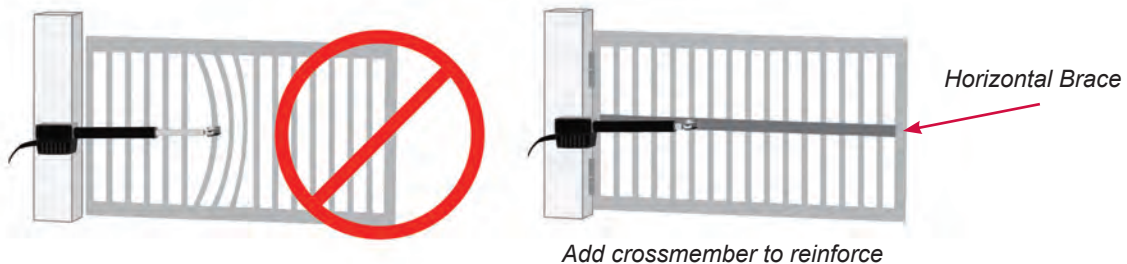
### 3 Determine Horizontal Mounting Location (PRO80 or HD)

Now that the type of installation (pull to open or push to open) has been determined, the vertical height position of the support bracket and actuator mounting tube must be determined. Refer to these examples to determine the mounting location of the gate bracket on the gate, which is needed to determine the location of the actuator mounting tube.

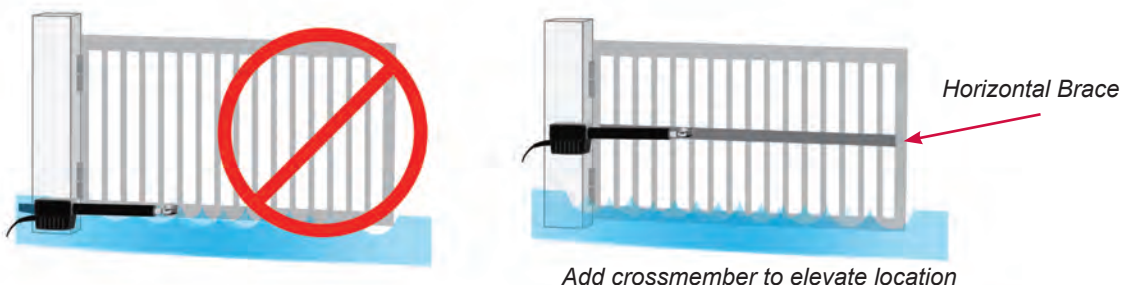
The actuator delivers force on the gate when operating. Aligning the actuator mounts with a horizontal gate frame member is the best choice. (as shown here)



Installation of a horizontal brace may be necessary to prevent damage to vertical gate pickets.



Avoid mounting actuator on bottom rail of gate. Unit will be more likely to be damaged by flooding and will be difficult to service and adjust.

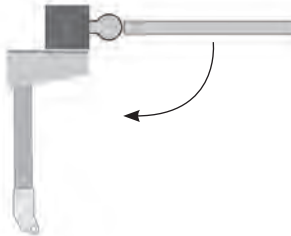


# 4a Determine Best Method for Actuator Mounting Brackets - **PULL TO OPEN** (PRO80 or HD)

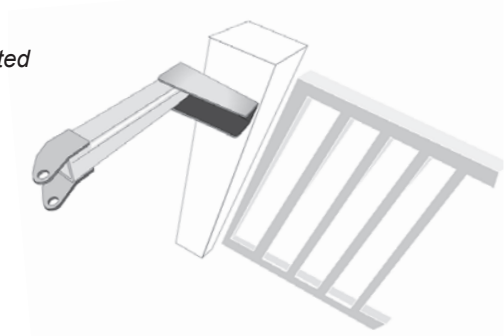
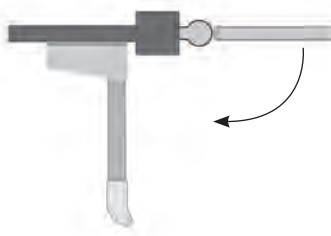
Study the examples below and determine the best method for your gate. The examples below are for left hand installations. Reverse for right hand installations.

## Square Post

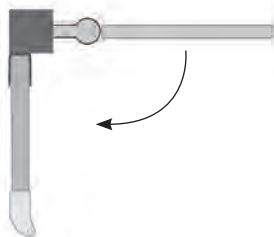
*Actuator support bracket mounted horizontally on hinge post*



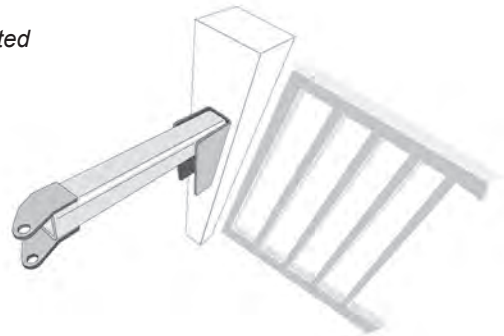
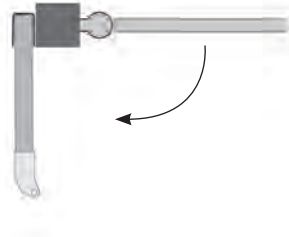
*Actuator support bracket mounted horizontally on fence rail*



*Actuator support bracket mounted vertically on hinge post*

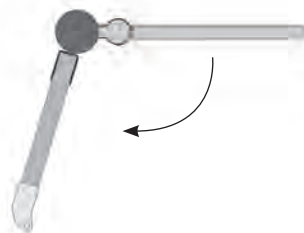


*Actuator support bracket mounted vertically opposite hinge*

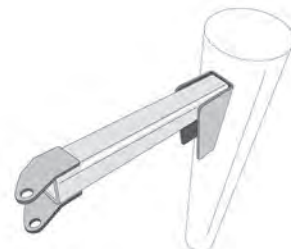


3D Example

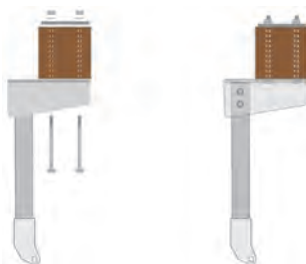
## Round Post



*Actuator support bracket mounted vertically on hinge post*

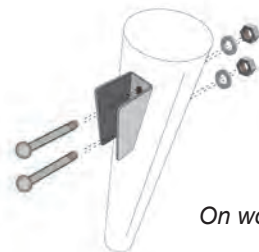


## Wood or Aluminum Post



*Drill through mounted.*

*Drill through post and bracket. Use carriage bolts with back plate. (not included)*

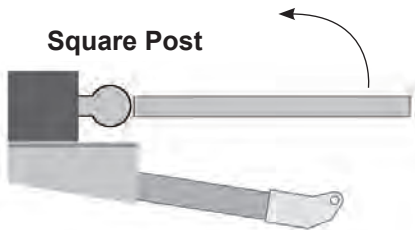


On wood post

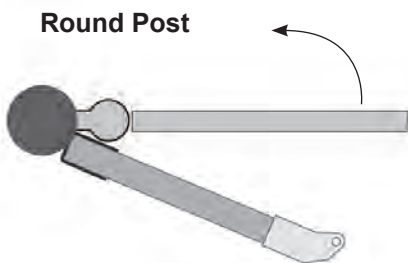
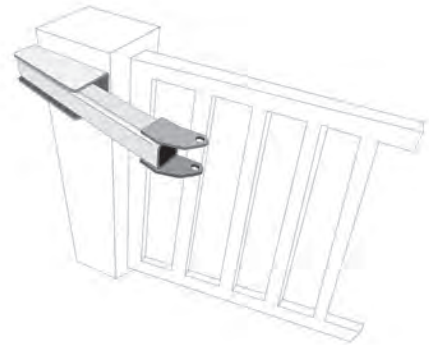


**4b Determine Best Method for Actuator Mounting Brackets - PUSH TO OPEN (PRO80 or HD)**

Study the examples below and determine the best method for your gate. The examples below are for left hand installations. Reverse for right hand installations.

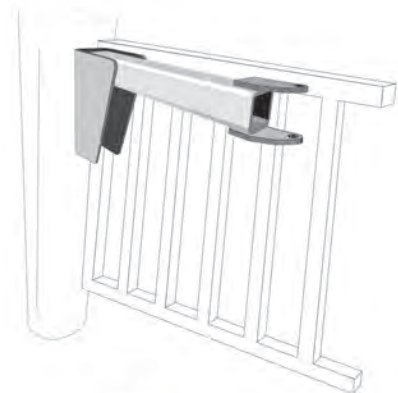


*Actuator support bracket mounted horizontally on hinge post*

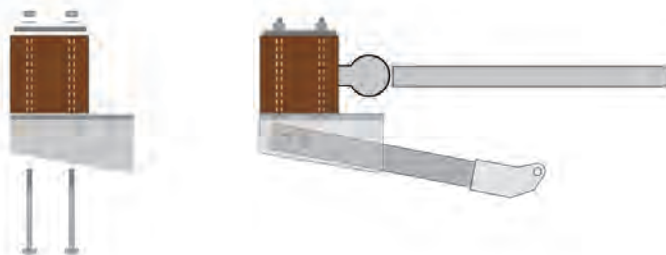


*Actuator support bracket mounted vertically on hinge post*

*3D Example*

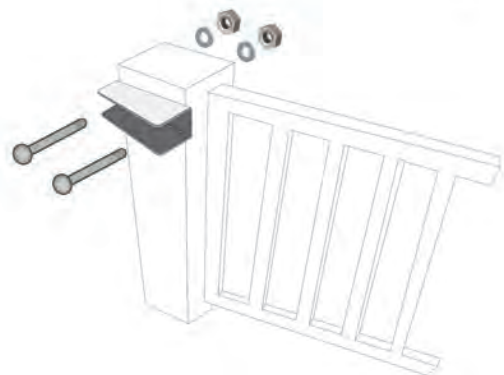


**Wood or Aluminum Post**



*Drill through mounted.*

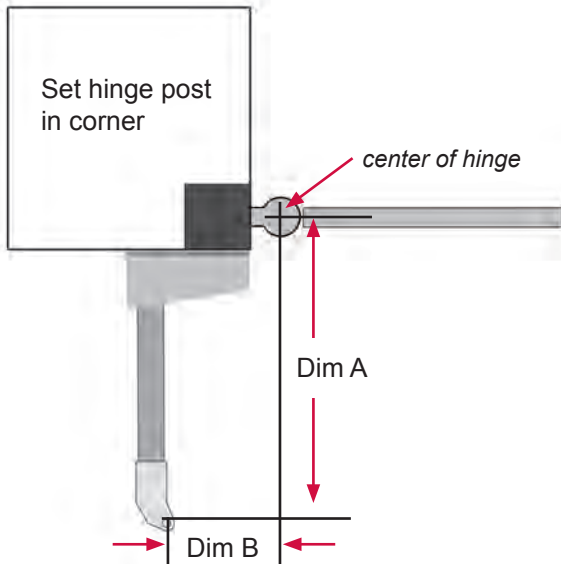
*Drill through post and bracket.  
Use carriage bolts with back plate.  
(not included)*



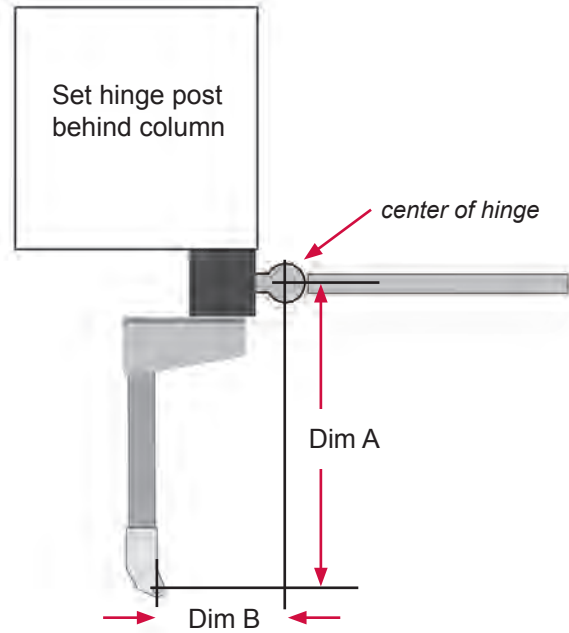
## 4C Determine Best Method for Actuator Mounting Brackets - COLUMNS (PRO80 or HD)

Dimensions shown are for 90° - 95° opening.

### New Construction



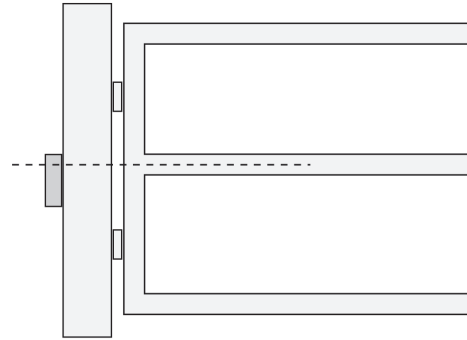
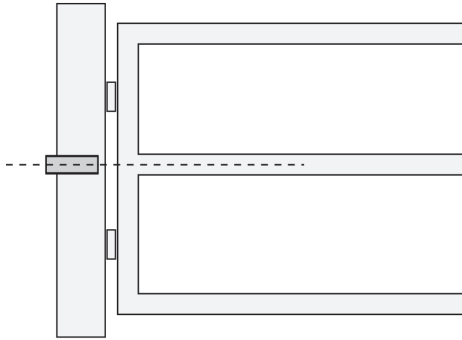
### Existing Columns



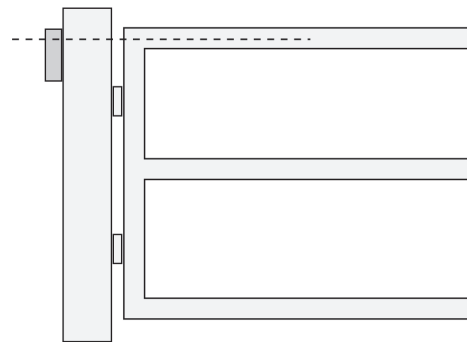
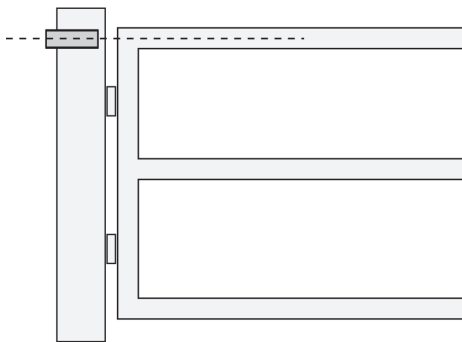
Actuator Mounting Bracket Installation Dimensions		
Operator	Dimension A	Dimension B
Ranger HD	13"	6"
Ranger Pro80	7½"	5"

## 5 Mount Support Bracket (PR080 or HD)

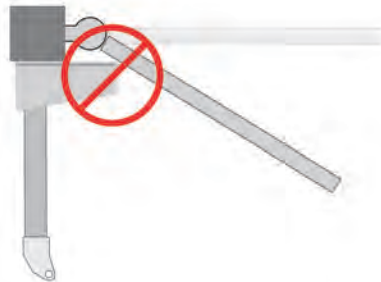
Now that you have determined the method and the vertical mounting location of the Actuator Support Bracket, mount the support bracket in alignment with predetermined horizontal frame member as per the following examples.



**Bracket must be level in all directions.**



**DO NOT** mount support bracket in a manner that obstructs gate movement or creates a pinch point.



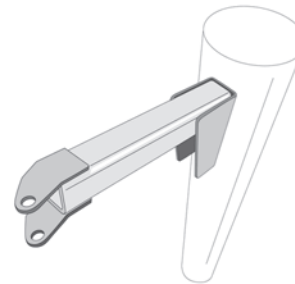
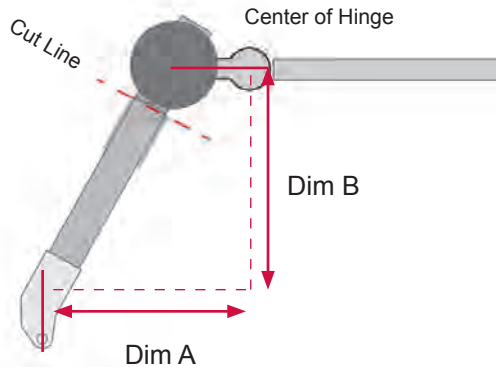
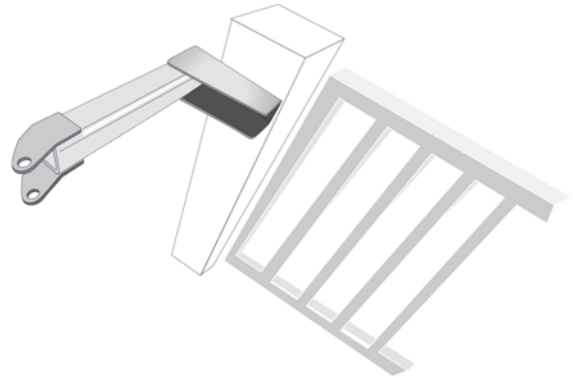
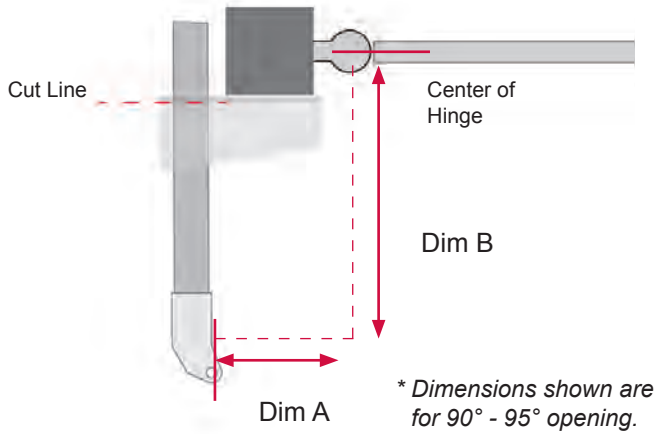
# 6a

## Install Actuator Mounting Tube - PULL TO OPEN (PRO80 or HD)

Cut Actuator Mount Tube to proper length. Weld to support bracket.  
 (See table below for desired dimensions.)

The actuator mounting tube will need to be cut so that the 3/8" hole location matches the dimensions for a pull to open system.

**IMPORTANT:** Verify the actuator type (PRO80 or HD) paying attention to the dimensions in the chart below.



PULL TO OPEN - Actuator Hinge Mounting Tube Installation Dimensions				
Gate opening in degrees	Ranger HD Dimension A	Ranger HD Dimension B	Ranger Pro80 Dimension A	Ranger Pro80 Dimension B
90 degree opening	6"	13"	5"	7½"
100 degree opening	7½"	12"	7"	7"
105 degree opening	9"	10½"	8"	5½"
120 degree opening	11"	8"		

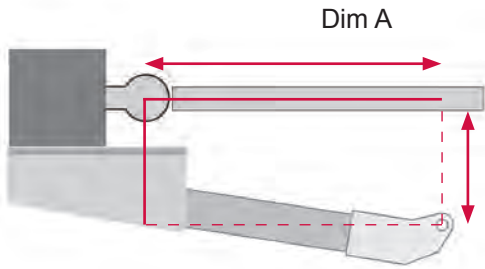


## 6b Install Actuator Mounting Tube - **PUSH TO OPEN (PRO80 or HD)**

Cut Actuator Mount Tube to proper length. Weld to support bracket.  
 (See table below for desired dimensions.)

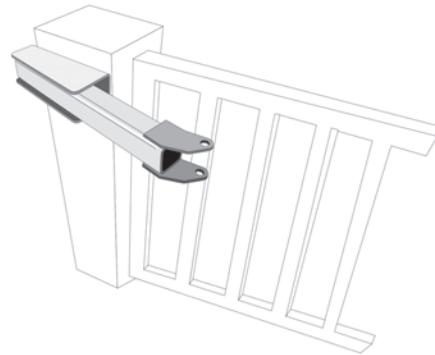
The actuator mounting tube will need to be cut so that the  $\frac{3}{8}$ " hole location matches the dimensions for a push to open system.

**IMPORTANT: Verify the actuator type (PRO80 or HD) paying attention to the dimensions in the chart below.**

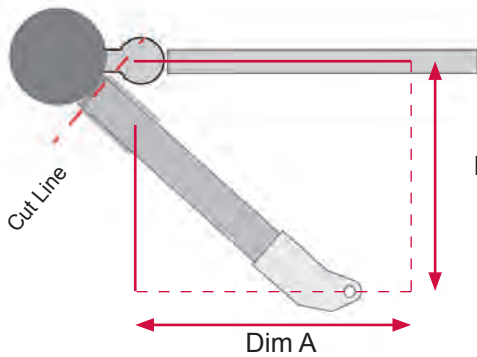


Dim B

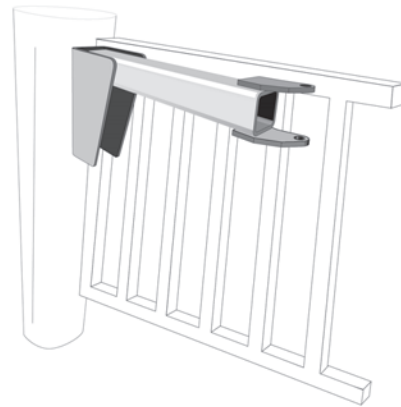
Before welding in place, ensure the actuator mounting tube is level in all directions and  $\frac{3}{8}$ " pivot hole location on actuator mounting tube is at proper point per the dimension chart for the type of installation being performed.



\* Dimensions shown are for 90° - 95° opening.



Dim B



PUSH TO OPEN - Actuator Hinge Mounting Tube Installation Dimensions

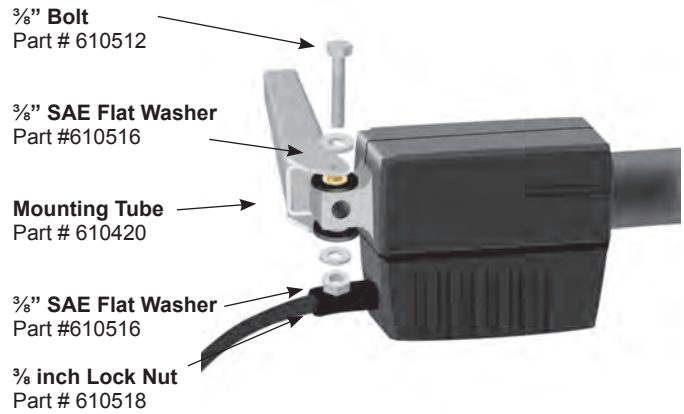
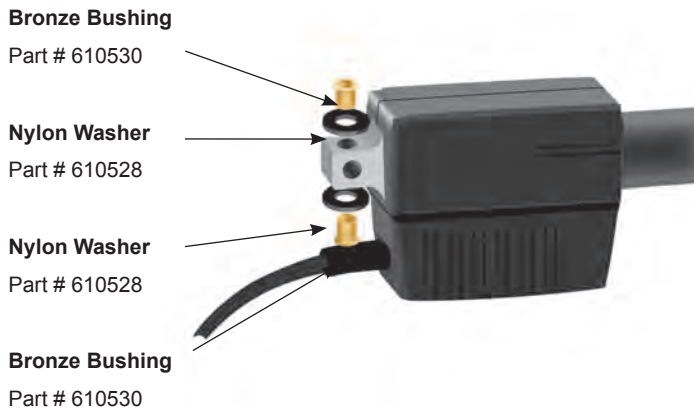
Gate opening in degrees	Ranger HD Dimension A	Ranger HD Dimension B	Ranger Pro80 Dimension A	Ranger Pro80 Dimension B
90 degree opening	11"	6"	7"	4"
100 degree opening	13"	6"	8.5"	4"
110 degree opening	14.5"	6"		



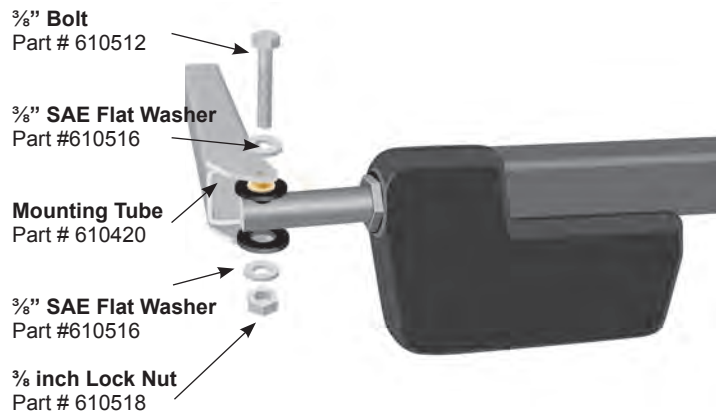
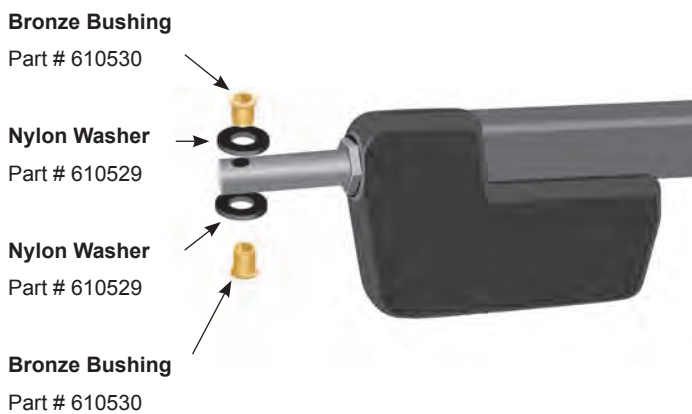
# 7 Install Linear Actuator to Actuator Mounting Bracket

The linear actuator should be mounted to the actuator mounting bracket using the provided hardware. Assemble as shown below. Tighten lock nut securely.

## Pro80



## HD



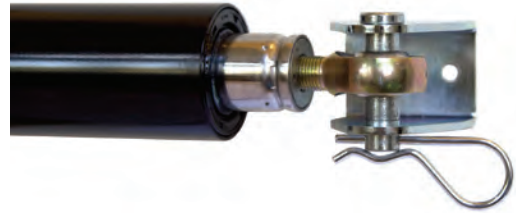
## 8 Install Gate Bracket to Linear Actuator

Install gate bracket and manual release pin to linear actuator as shown.

**HD**



**PRO80**



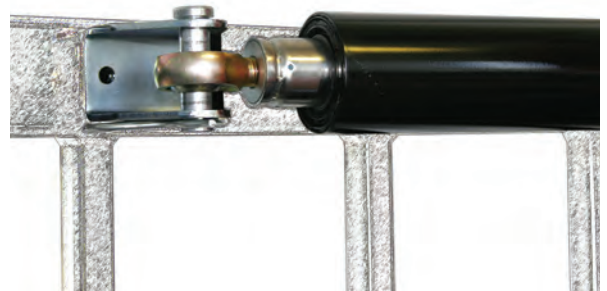
## 9 Install Gate Bracket to Gate

**(PULL TO OPEN INSTALLATION ONLY)**

**The linear actuator was shipped from the factory set to the fully retracted position.**

The steps below will determine where the gate bracket is to be installed on the gate.

1. Swing gate to the fully open position.
2. Swing linear actuator around in a level position to meet the fully open gate. The contact point is where the gate bracket should be installed on the gate.
3. Weld or bolt the gate bracket to the gate.
4. Connect actuator to gate bracket at this time and install manual release pin.



**(PUSH TO OPEN INSTALLATION ONLY)**

**The linear actuator was shipped from the factory set to the fully retracted position.**

The steps below will determine where the gate bracket is to be installed on the gate.

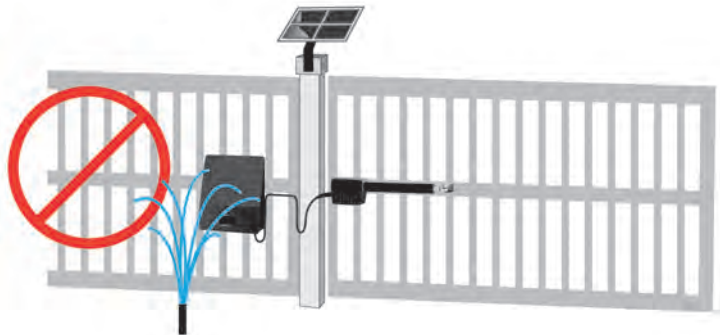
1. Swing gate to the fully closed position.
2. Swing linear actuator around in a level position to meet the fully closed gate. The contact point is where the gate bracket should be installed on the gate.
3. Weld or bolt the gate bracket to the gate.
4. Connect actuator to gate bracket at this time and install manual release pin.

## 10 Install Control Box and Linear Actuator Cable

The control box should be securely mounted to an object or surface strong enough to support the weight of the box, battery and other components to be installed. The box can be screwed or bolted to a suitable mount. The most common mounts are to an adjoining fence panel or wall. Holes are provided in the control box for mounting. If drilling is required, avoid getting metal or other material shavings on the components by marking the hole locations first, then set the box aside prior to drilling.



When deciding where to mount the control box remember the actuator cable is 8 feet in length. If possible, mount the control box in a location that will allow the cable to be neatly routed. If it must be longer than the 8 feet, see Splicing Actuator Cable Step. Also avoid choosing a mounting location that is near sprinklers.



We have provided knockouts for conduit fittings in the control box bottom right corner. We highly recommend using conduit for all accessory wiring entering the control box. Determine which knockouts are to be used and punch out at this time.

NOTE: One 1 1/4" knockout is already removed for a single gate installation or for the closest gate on a dual gate installation.



### Install Linear Actuator Cable

The linear actuator is supplied with 8' of cable. Care should be taken to protect the cable from damage that might be caused by animals, lawn equipment etc.

Route the cable into the control box bottom, snap in 1 1/4" plastic grommet.

**DO NOT plug into control board at this time.**



## II Splicing Linear Actuator Cable or Installing 2nd Linear Actuator Cable for Dual Gate System.

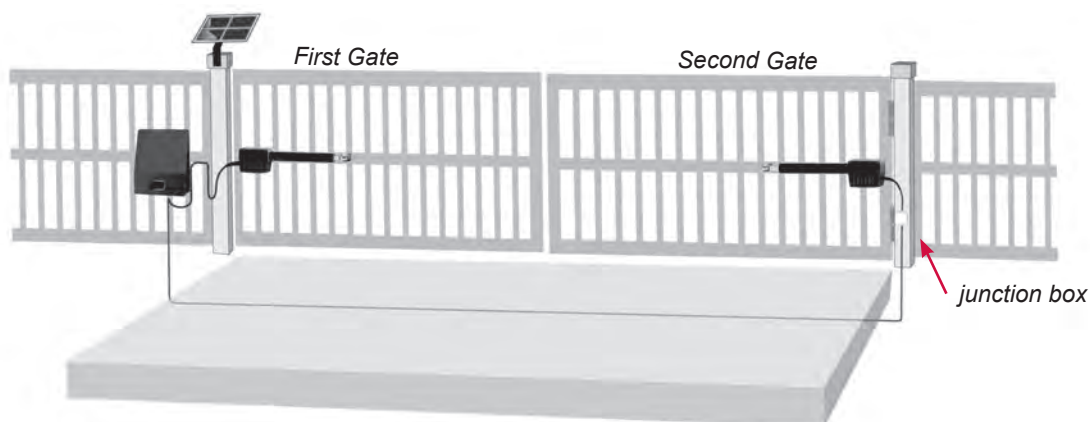
When adding an extension cable to a single gate actuator cable or when installing a second gate actuator for Gate 2, the 8 foot actuator cable must be cut and spliced in the following manner.

### Once actuator has been installed:

1. Locate the linear actuator 8 pin connector. Measure 18 inches from the connector end and cut the black cable. See Figure
2. Save this 8 pin connector and pigtail cable for step 8.
3. Install a rain tight junction box on the Gate 2 hinge post below or near the actuator.
4. Install the extension cable from the junction box at Gate 2 to the control box. Route the cable through the bottom of the junction box and the control box. Cut the cable longer than needed for future needs and ease of servicing.



**NOTE: The Dual Gate Opener system includes 35 ft (PRO80) OR 40 ft (HD) of extension cable. If the distance between the junction box and the control box exceeds this distance it is recommended to purchase a cable that will not require additional splices in the cable. USAutomatic Part# 630010 can be custom ordered and purchased in any length. Never make underground splices as moisture in connections will definitely cause system malfunctions.**



5. Route the linear actuator cable into the junction box through the bottom of the box and determine length. Allow ample slack in the cable for actuator movement when opening and closing the gate. Cut cable longer than needed for future servicing.
6. Remove at least 2 inches of the exterior black jacket on both cables routed into the junction box. Strip back approximately 1/2 inch of insulation from all wires. Connect the wires from each cable, matching color to like color with wire nuts. Pull firmly on all wires to be sure all connections are tight.
7. Install rain tight cover on junction box.
8. Remove at least 2 inches of the exterior black jacket on the pigtail cable (saved from step 2) and on the remaining end of the extension cable previously routed into the control box (step 4). Strip back approximately 1/2 inch of insulation from all wires. Connect the wires from each cable, matching color to like color with wire nuts. Pull firmly on all wires to be sure all connections are tight.
9. Do not plug into control board at this time.



**IMPORTANT: The length of the extension cable should be as short as possible.**





## 12 Installing Monitored Entrapment Protection Devices

When the installation requires more than 1 monitored contact edge or 2 monitored photo eyes, the Monitored Entrapment Device Expansion Modual must be installed. (USAutomatic Part# 500015)

### 12a Monitored Photo Eye (Type B1) Installation for Entrapment Protection ONLY. (page 3)

Connect wires per the table below: All wiring should be done with power disconnected from control board.

Photo Eye wiring for Entrapment Device Protection	
Photo Eye Connections	Ranger Control Board Connections
Power +12 vdc	J2 pin 12
Power ground / O	J2 pin2, pin 5 or pin 7
Common	J2 pin2, pin 5 or pin 7
N/C contact Closed Direction	J2 pin 8
N/C contact Open Direction	J2 pin 4

The energy saving design of the control board will only apply 12 vdc to the photo eye when the gate is in operation. During installation +12 vdc power is required to align the photo eye beam.

Set control board SW1 dipswitches as follows for the installation:

Control Board Dipswitch Settings for Installation	
SW1 switch 3	OFF – press down on the left hand side
SW1 switch 4	OFF – press down on the left hand side
SW1 switch 10	ON – press down on the right hand side

Install the photo eye at this time. Once power is applied to the system, verify alignment. Step 18.

### 12b Monitored Contact Edge (Type B2) Installation for Entrapment Protection ONLY.

Connect wires per the table below: All wiring should be done with power disconnected from control board. Contact edge must have 8.25K or 10K ohm resistor built into device.

Contact Edge wiring for Entrapment Device Protection	
Contact Edge Connectons	Ranger Control Board Connections
N/O connection	J2 pin 6
Common	J2 pin 2, pin 5 or pin 7

### 12c Constant Pressure (Type D) Installation

Connect wires per the table below: All wiring should be done with power disconnected from control board. The included warning placard must be installed by the control switch

Type D wiring for Emergency / Constant pressure Operation	
Constant Pressure Switch N/O type	Ranger Control Board Connections
N/O connection	J5 pin 1
Common	J5 pin 2

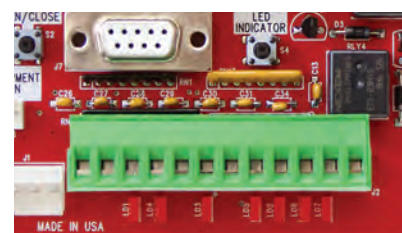
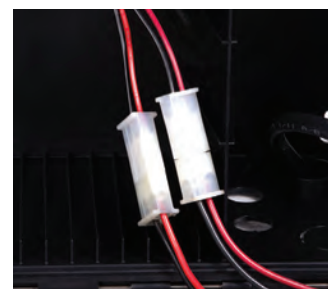
### 13 Install Wiring Harness and Battery

The recommended battery for most installations is a 12 volt Group U1 maintenance free battery, 30 to 35 amp hours. This type battery is commonly known as a lawn tractor or wheel chair battery.

The wire harness is supplied with two 1/4" ring terminals for connection to the battery. Connect the wire harness red wire to the positive post of the battery and the wire harness black wire to the negative post of the battery as shown.

Connect the actuator 2 wire connector (or connectors if dual gate) to wire harness as seen in the image here.

Plug the J2 accessory plug into the control board at this time.



### 14 Install Battery Controller Power Source (AC or Solar)

The USAutomatic battery controller can be powered by an AC transformer supplied with AC Models OR a solar panel supplied with Solar models. The DC Transformer and the Solar Panel are equipped with a DC plug for easy connection to the battery controller.

#### 14a AC Charged System

The AC model gate operator comes with a low voltage transformer which plugs into the battery controller and can easily provide 575 cycles of operation a day without decreasing the battery charge. In the event AC power goes out the operator will operate for weeks on the battery (if cycles per day are below 20) before needing service. Accessories connected to the operator are critical. Always use Solar Friendly accessories to help avoid premature battery failure in cases of power outages.



The unique design of the charging system allows the transformer to be installed away from the gate area if needed. This means that on AC charged systems, the transformer's low voltage wire can be extended avoiding the expense of having an electrician install 120 VAC at the gate area.

Refer to the AC power source cable extension chart in Appendix A for wire size.

NOTE: Transformer is not designed to get wet. Likewise, all splices should be made in a dry enclosure or outdoor box. For convenience use the USAutomatic Charge Cable Extension Pigtales PN #630038.

**NOTE: USAUTOMATIC RECOMMENDS A SURGE PROTECTOR ON ALL AC CHARGED INSTALLATIONS.**



## 14b Solar Charged System



The solar option allows you to install the gate operator in remote areas or in applications where you prefer to be solar charged. Solar charging provides isolation from lightning that might damage the unit via the AC power needed for the transformer. The use of solar friendly accessories will help prevent premature battery failure.

The Solar model Ranger gate operator comes with a 10 watt solar panel and is designed to provide enough cycles a day for most installations without needing more than one solar panel. Care must be taken to ensure the solar panel has full sun throughout the day; partial sun will give partial results. If no sun is present then a solar system is not practical no matter how many panels might be installed. The solar panel must be kept clean and in full sunlight.

The location of the solar panel is critical for proper battery charging. The panel needs to face a South to Southwest direction and be installed at the angle of the supplied solar panel bracket. For proper operation the panel must have unobstructed sun. Even a small amount of shade will cause the Solar Panel to cease charging. Something as tiny as a fingertip shadow will affect the Solar Panel.

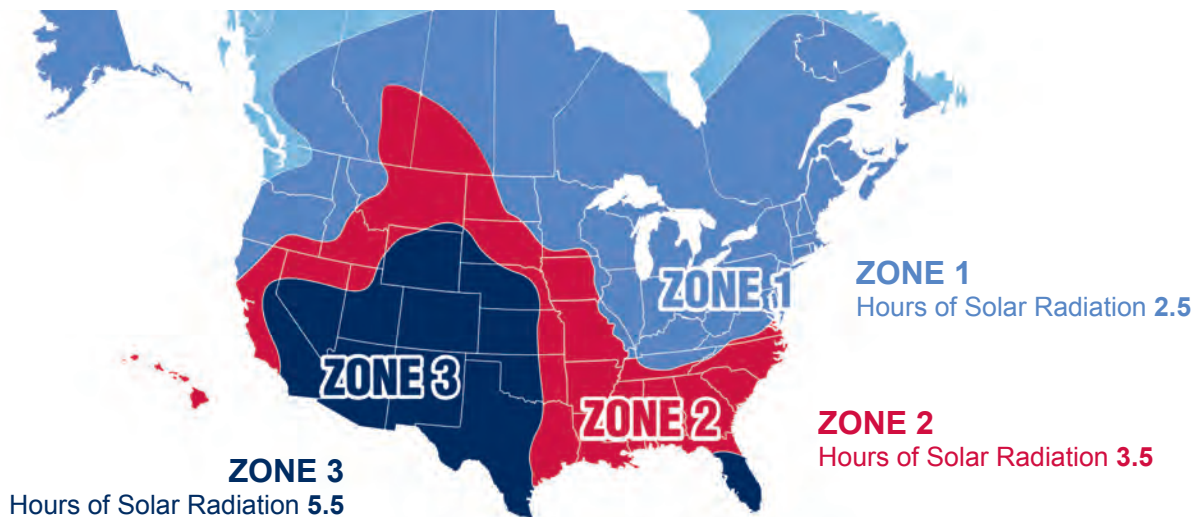
Solar panel may be moved up to 200 feet from the control box to achieve adequate sunlight. See power source cable extension chart Appendix A for proper wire size. For convenience use the USAutomatic 75' Cable Kit Part #520016.

See Region Map below to determine cycles that can be expected. These numbers are based on a basic system with the standard 10 watt solar panel. Adding solar friendly accessories will not have any great affect on the numbers stated. Using other accessories can cause premature battery failure.

### GATE CYCLES PER DAY SOLAR CHARGED SYSTEM (Optional Solar Kit PN #520026)

Model Type	ZONE 1	ZONE 2	ZONE 3
Ranger I Single Gate	22 cycles per day	36 cycles per day	65 cycles per day
Ranger II Dual Gate	11 cycles per day	18 cycles per day	32 cycles per day

Region 1 covers the area of the country receiving the least amount of solar radiation. On average the amount of charge time is 2.5 hours in region 1, 3.5 hours in region 2 and 5.5 hours in region 3.



Charge Device  
plugs in here



## 15 Connect Power Source to Battery Controller

(Transformer or Solar Panel Kit)

The battery controller accepts inputs from either the DC transformer or the solar panel. The transformer and solar panel come with a DC plug for easy installation. Once the charge device is selected and installed connect the DC plug into the charge controller.

If needed, use power source adapter supplied with controller.

## 16 Install Safety Signs

Install the 2 warning placards in the gate area where they are visible from the inside and outside of the gate. These are required per UL 325 to make persons aware of the possible danger of an automated gate.



## 17 Connect Linear Actuator Cable to Control Board

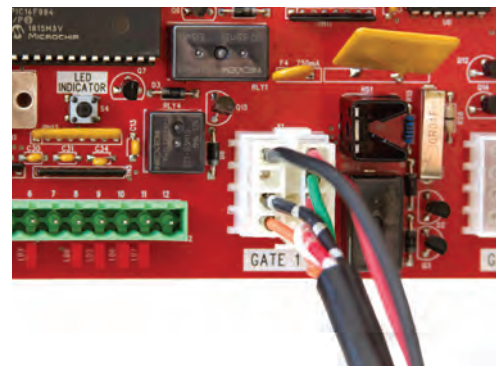
Before connecting the actuator cable to the control board check the following:

- Verify that all previous steps were performed.
- Verify that the battery connections are correct red lead to positive and black lead to negative.
- Verify that nothing is in the path of the gate. If by chance it begins to move when power is applied, be prepared to disconnect the actuator cable.

### Ranger I (Single Gate) and Ranger II (Dual Gates)

- Locate the actuator cable and plug it into the Gate 1 actuator connector (see image) on the control board.

\*Only connect one actuator at this time.



### Ranger II (Dual Gates) with overlapping gates or electrical lock requiring gate delay.

When either the electric gate lock or magnetic gate lock dipswitch is turned ON the gate connected to Gate 2 will delay on an open command and close last on a close command, the delay is 1.5 seconds.

If an overlapping gate and no lock is being used then we recommend using the electric gate lock dipswitch for the gate delay.

## 18 Photo Eye Alignment

With power now applied the photo eyes can be aligned, Verify alignment and adjust as necessary.

For detailed instructions refer to the installation instructions included with the photo eye.



# 19 Operating Gate for the First time

Identify your installation below and verify the correct SW1 and SW2 dipswitch settings.

Verify linear actuator type HD or PRO80 and set SW2 switch 4 to the correct position.

HD - SW2 switch 4 OFF - press down on left side

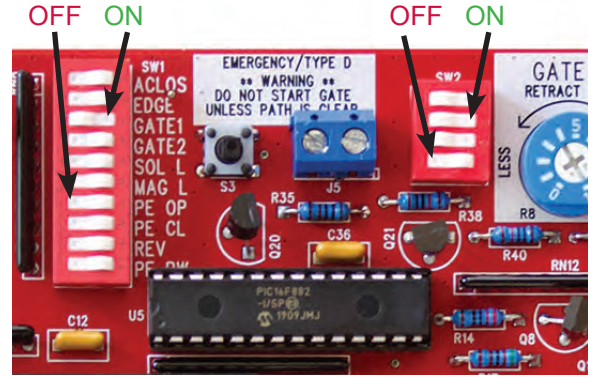
PRO80 - SW2 switch 4 ON - press down on the right hand side

**NOTE: This check must be performed before operating the gate. Failure to do so may damage the gate operator.**

Before operating the gate lets make sure the control board dipswitches are set correctly for your installation. Locate the SW1 and SW2 dipswitches on the control board.

Factory SW1 default dipswitch settings are 3 and 4 ON.

Factory SW2 default dipswitch settings are 3 ON.



ON - Down on right  
OFF - Down on left

		SW1 switch settings	Photo Eye Close Direction	Photo Eye Open Direction	Contact Edge
<b>Single</b>	(PULL TO OPEN)	SW1 switch 3, 4 should be in the ON position	SW1 switch 8 and 10 ON	SW1 switch 7 and 10 ON	SW1 switch 2 ON
<b>Single</b>	(PUSH TO OPEN)	SW1 switch 3,4 and 9 should be in the ON position	SW1 switch 8 and 10 ON	SW1 switch 7 and 10 ON	SW1 switch 2 ON
<b>Dual</b>	(PULL TO OPEN)	SW1 switch 3, 4 should be in the ON position	SW1 switch 8 and 10 ON	SW1 switch 7 and 10 ON	SW1 switch 2 ON
<b>Dual</b>	(PUSH TO OPEN)	SW1 switch 3, 4, 9 should be in the ON position	SW1 switch 8 and 10 ON	SW1 switch 7 and 10 ON	SW1 switch 2 ON

1. Locate the Open / Close command button on the control board. This button will start the gate when pressed once; pressing it again will stop the gate.
2. Press and release the Open / Close button. The linear actuator should begin to extend. Allow the gate to travel to the factory adjusted extend position. The gate should typically stop short of the desired extended position.
3. Press and release the Open / Close button twice. The linear actuator should begin to retract. Allow the gate to travel to the factory adjusted retract position. The gate should typically be very close to the desired retracted position. If minor adjustment is required remove release pin and rotate the threaded end rod to the desired open position.



## **20** Limit Adjustments

The control board limit adjustments are simple and easy to use. Control board has 4 adjustment dials for adjusting the desired stop positions.

The nudge procedure below can be used to easily adjust the extend limit ONLY. If adjustment is made and the extension tube is adjusted past the desired extend position you must reduce the extend limit adjustment so that the gate extends and stops short of the desired position. Then readjust extend limit following the nudge procedure.

### **Nudge Procedure**

#### **Single Gate Limit Adjustment**

1. Connect the linear actuator cable for gate 1 only to the gate 1 port on control board.
2. Verify that both gate 1 and gate 2 dip-switches are turned ON, press down to the right hand side.
3. Press the open/close button on the control board allow actuator to fully extend.
4. Locate the gate 1 extend adjustment and turn clockwise slowly. The actuator will begin to extend as the adjustment is turned. Adjust until gate is in desired position. Avoid over extending.
5. Limit adjustment is complete. If a dual gate system continue with steps 8-14 below.
6. Turn OFF the gate 1 or gate 2 dip switch that is not being used.
7. Power cycle is required at this time. Disconnect the quick connect plug from the actuator harness and then reconnect

#### **Dual Gate Limit Adjustment**

8. Disconnect the gate 1 actuator from control board.
9. Connect the linear actuator cable for gate 2 to the gate 2 port on control board.
10. Press the open/close button on the control board allow actuator to fully extend.
11. Locate the gate 2 extend adjustment and turn clockwise slowly. The actuator will begin to extend as the adjustment is turned. Adjust until gate is in desired position. Avoid over extending.
12. Limit adjustment is complete
13. Connect gate 1 linear actuator to the gate 1 port on control board.
14. Power cycle is required at this time. Disconnect the quick connect plug from the actuator harness and then reconnect.

Cycle the gate 3 complete cycles to verify the speed value selected is correct. If a different speed is needed see the PWM Adaptive Soft Start / Stop Speed Control Adjustment section of this manual.



# 21

## PWM Adaptive Soft Start / Stop Speed Control Adjustment

The control board is equipped with adaptive adjustable PWM soft start / stop speed control.

The factory preset speed is set at a value of 4. Depending on the installation a different speed setting might be needed.

**IMPORTANT:** SW2 switch 4 is not a speed value switch. This switch must be set depending on the linear actuator being used. OFF is the HD linear actuator (default) and ON is the PRO80 linear actuator.

SW2 dip switches 1 - 3 control the soft start / stop speed.

The speed may be adjusted from a setting of 0 -7. Each of the 3 switches represent a binary value and the switches turned ON add together for a speed setting.

**switch 1 - value = 1      switch 2 - value = 2      switch 3 - value = 4**

Looking at the picture you see the default speed value is set at 4 (SW2 switch 3 is ON)

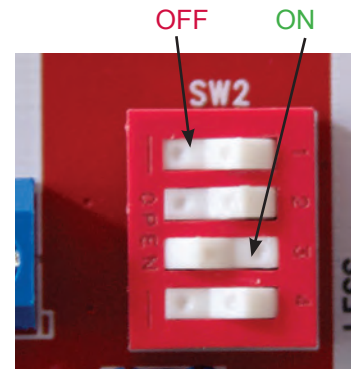
If all 3 switches were turned OFF the value would = 0 (max speed)

If switch 1 and 3 were turned ON the value would = 5

If switch 2 and 3 were turned ON the value would = 6

If switch 1, 2, 3 were turned ON the value would = 7 (slowest speed)

The higher the value the slower the speed.



Avoid setting the speed value to a very slow speed, which would cause the motor to stall.

After speed value is changed cycle the gate multiple cycles to allow the adaptive speed control to adjust to the new setting. The adaptive circuit will adjust the soft start / stop speed gradually to ensure proper gate operation based on the speed value selected.

### SW2DIP SWITCHES

Switch		Setting	Factory Settings are shown in bold type
<b>1</b>	Soft Start / Stop Speed Control Value 1	ON	Speed value of 1 added
		<b>OFF</b>	<b>No speed value added</b>
<b>2</b>	Soft Start / Stop Speed Control Value 2	ON	Speed value of 2 added
		<b>OFF</b>	<b>No speed value added</b>
<b>3</b>	Soft Start / Stop Speed Control Value 4	<b>ON</b>	<b>Speed value of 4 added</b>
		OFF	No speed value added
<b>4</b>	<i>Actuator Select HD 24 inch stroke PRO 80 16 inch stroke</i>	ON	PRO 80
		<b>OFF</b>	<b>HD</b>

## 22 Sensitivity Adjustment and Entrapment Alarm and Auto Close Setting

The control board has 2 sensitivity adjustment dials located on the left side of the control board. These adjustments control the amount of current the control board will allow the motor to draw from the battery to operate your gate. Minimum force is the least amount of current allowed. This circuit is inactive for the first second of gate operation.

PRO80 adjustment range is from 5 to 10 on the dial.

HD adjustment range is from 0 to 10 on the dial.

Both sensitivity settings should be individually adjusted on dual gate systems. On single gate systems, adjust the setting for the actuator plug being utilized (Gate 1 or Gate 2) and then match the setting on the other sensitivity adjustment.

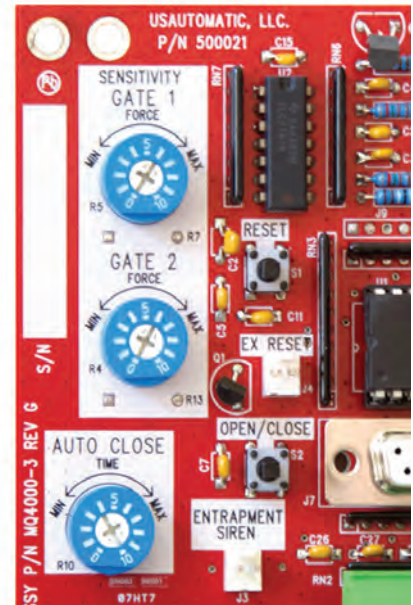
### Entrapment alarm:

The entrapment alarm installed gives an audible alert whenever the gate sensitivity feature is activated twice before gate reaches an open or close limit. See chart step 23 for operation. Also used for low battery audible notification.

### Auto Close Setting:

**Important:** Auto close should not be utilized unless safety devices are installed to prevent automatic operation in case an object is in the path of the gate. See appendix B.

The adjustment dial controls the auto close time from approximately 2 seconds to 150 seconds. A setting of 0 will be the fastest auto close time.



## 23 Verifying Inherent Entrapment Protection System (Type A) Operation:

Once the gate operator is installed use the table below to determine correct operation.

It is recommended that the current sensitivity adjustment for the gate being tested be set at a setting no greater than 8 for PRO80 or 5 for HD when performing this test.

Gate Opening - Gate is stopped by an object after 1 second of operation	Gate Closing - Gate is stopped first time by an object after 1 second of operation
<ul style="list-style-type: none"> <li>Gate stops and reverses for ~ 2 seconds.</li> <li>Auto close if turned ON is disabled.</li> <li>Requires a Push Button, Close, Open or Reset input before normal operation resumes.</li> </ul>	<ul style="list-style-type: none"> <li>Gate stops and reverses to full open.</li> <li>Auto close if turned ON is disabled.</li> <li>Requires a Push Button, Close, Open or Reset input before normal operation resumes.</li> </ul>
Gate Closing after above obstruction – If Gate is stopped a second Time Before Reaching the Close Limit	Gate Opening after above obstruction – If Gate is stopped a second Time Before Reaching the Open Limit
<ul style="list-style-type: none"> <li>Gate stops.</li> <li>Alarm sounds for 5 minutes until Reset is pressed.</li> <li>Requires a Reset input before normal operation resumes.</li> </ul>	<ul style="list-style-type: none"> <li>Gate stops.</li> <li>Alarm sounds for 5 minutes until Reset is pressed.</li> <li>Requires a Reset input before normal operation resumes.</li> </ul>



### 23a Verifying Monitored Photo Eye (Type B1) Entrapment device Operation Only:

Operate the gate and verify entrapment protection devices are working properly.  
Use the table below to determine correct operation.

Type B1 - Photo Eye 2 <sup>nd</sup> Entrapment - N/C input J2 pin 4 - Open Direction If SW1 switch 7 is OFF this input is ignored. If ON, functions as described below	Type B1 - Photo Eye 2 <sup>nd</sup> Entrapment - N/C input J2 pin 8 - Closed Direction If SW1 switch 8 is OFF this input is ignored. If ON, functions as described below
<b>Gate Opening Photo Eye Activated</b>	<b>Gate Closing Photo Eye Activated</b>
Gate stops	Gate stops and reverses to full open
Auto close if turned ON is still active	Auto close if turned ON is still active
Return to normal operation when the sensor is no longer activated.	Return to normal operation when the sensor is no longer activated.

### 23b Verifying Monitored Contact Edge (Type B2) Entrapment device Operation Only:

Contact Edge (Type B2) Monitored Entrapment N/O input J2 pin 6 If SW1 switch 2 is OFF then gate will not move. If ON, functions as described below.	
<b>Gate Opening Edge Activated 1<sup>st</sup> time</b>	<b>Gate Closing Contact Edge Activated 1<sup>st</sup> Time</b>
Gate stops and reverses for ~ 2 seconds	Gate stops and reverses to full open
Auto close disabled	Auto close if turned ON is still active
Requires a Push Button, Close or Open input before normal operation resumes.	<b>If while opening after reversal above, a 2<sup>nd</sup> sequential input is received, gate must stop</b>
<b>If while closing after reversal above a 2<sup>nd</sup> activation occurs before the 2 seconds then</b>	Requires a Push Button, Close or Open input before normal operation resumes.
Gate stops	<b>Gate Closing Edge Activated 2<sup>nd</sup> Time before the close limit then</b>
Auto close disabled	Gate stops
Requires a Push Button, Close or Open input before normal operation resumes.	Auto close disabled
	Requires a Push Button, Close or Open input before normal operation resumes.

### 23c Verifying Constant Pressure (Type D) Operation Only:

**IMPORTANT:** Verify the gate path is clear before pressing the S4 button.

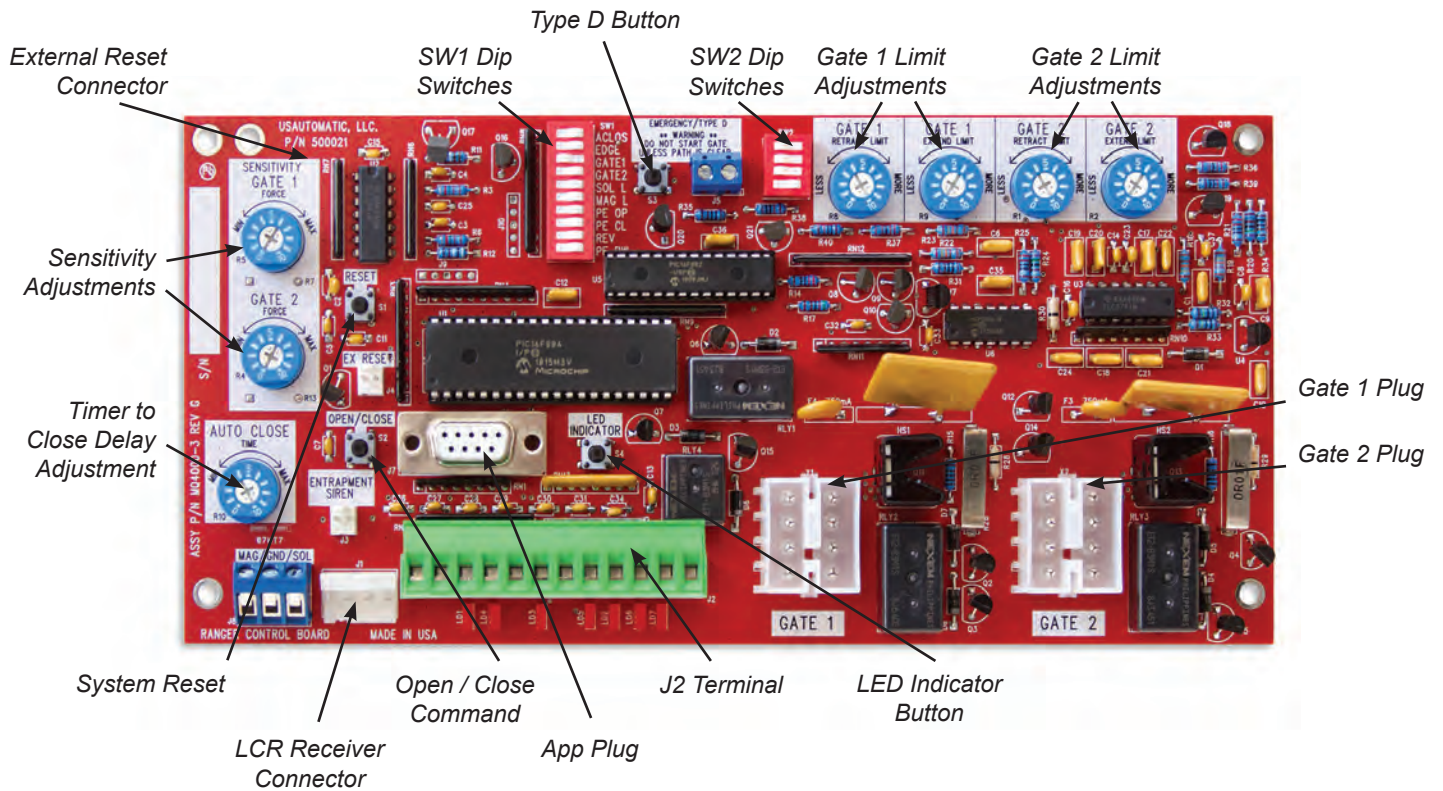
The S4 push Button (N/O) requires constant pressure to operate gate. When pressed and held the gate will run until the limit is reached or the button is released. If the button is released in mid travel the gate will stop and the next press of the button will run the gate in the opposite direction.

IF gate is closed and emergency switch is activated the gate will open and remain open until deactivated.

## 24 Ranger Control Board Information

The Ranger control board is capable of operating two gates. If your installation is a single gate you can operate the gate on the Gate 1 or Gate 2 connector. Set control switch "ON" for the connector being used.

Type D push button requires constant pressure for gate operation. The user must verify the gate path is clear before pressing the button to operate gate.

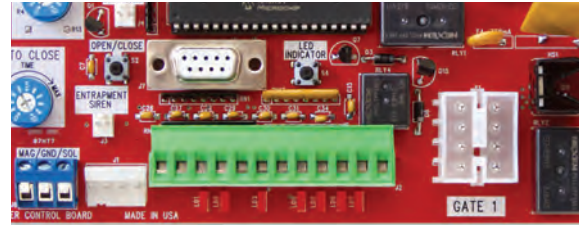




## J2 Terminal Description

The accessory connector is a plug which can be removed from the control board for ease of wiring and troubleshooting purposes.

Pull out to remove.



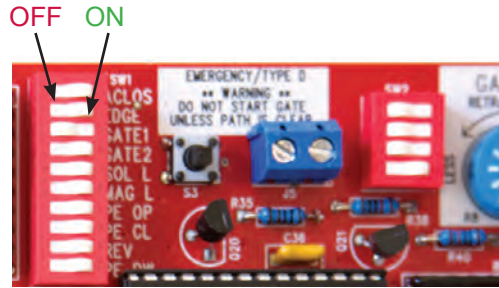
J2 Terminal

Terminal	
1	+12 vdc Output <i>(Maximum current output 750 milliamps)</i>
2	Common Ground
3	Push Button Input <i>(normally open contacts)</i> <i>(Push button, radio control, keypad, etc.)</i>
4	PhotoEye Open Direction N/C Input <i>SW1 Switch 7 must be on. No 10K resistor.</i>
5	Common Ground Input
6	Contact Edge N/O connection monitored entrapment <i>SW1 switch 2 must be ON when monitored edge is connected</i>
7	Common Ground Input
8	PhotoEye Closed Direction N/C Input <i>SW1 Switch 8 must be on. No 10K resistor.</i>
9	Free Exit / Open Input <i>(normally open contacts)</i> <i>Loop input or any hold open input such as a 7-day timer, telephone access unit, or maintain contact switch (normally open contacts). These devices open the gate and will prevent the gate from closing if the contact is maintained. Once the contacts have been released, the gate can be closed with a closed signal device or the automatic close timer feature. Receiver relay2 pre-wired for latching open.</i>
10	Center Loop or Under Gate Loop Input <i>(normally open contacts)</i>
11	Safety Loop / Photo-eye / Reversing Edge Input used for vehicular protection devices. <i>(normally open contacts) *No 10K resistor - remove if installed</i>
12	Photo Eye Power +12 vdc output 750 ma max current <i>Only present when SW1 switch 10 is ON and gate is moving or SW1 switch 3 and 4 are OFF and SW1 switch 10 is ON used for installation.</i>

## SW1 Function Dip Switches

ON - Down on right

OFF - Down on left



Switch		Setting	Factory Settings are shown in bold type
1	Automatic Close Timer Enable <i>(Not recommended unless safety devices are installed)</i>	ON	Timer to close is activated
		OFF	<b>Timer to close is disabled</b>
2	Contact Edge Monitored	ON	Monitored contact edge is installed. Contact Edge must have 8.25K or 10K resistor.
		OFF	<b>No monitored Contact Edge installed</b>
3	Gate 1 Enable	ON	<b>Gate 1 operator enabled to function</b>
		OFF	Gate 1 operator disabled
4	Gate 2 Enable <i>(both gates on for dual)</i>	ON	<b>Gate 2 operator enabled to function</b>
		OFF	Gate 2 operator disabled
5	Electronic Gate Lock Solenoid Type	ON	Electric Gate Lock Enabled
		OFF	<b>Electric Gate Lock not activated</b>
6	Magnetic Lock	ON	Mag lock Enable
		OFF	<b>Mag lock not active</b>
7	Photo Eye Open Only N/C Monitored Entrapment	ON	Monitor Photo Eye open direction only
		OFF	<b>No monitored Photo Eye open direction installed</b>
8	Photo Eye Closed Only N/C Monitored Entrapment	ON	Monitor Photo Eye closed direction only
		OFF	<b>No monitored Photo Eye close direction installed</b>
9	Operating Direction Reverse <i>(Must be on for push to open installations to operate correctly)</i>	ON	Push to Open
		OFF	<b>Pull to Open</b>
10	Photo Eye Power Management Enable <i>*when ON 12 vdc will be present at J2 pin 12 whenever gate is in motion.</i>	ON	Enables PEPM
		OFF	<b>Disables PEPM</b>

# 25

## Programming Transmitter and Receiver

Operating frequency 433.92 MHz.

Receiver can store up to 42 unique transmitter dipswitch code settings.



### Transmitter Setup:

*(It is recommended that the dipswitch code be changed from the default factory setting)*

1. Open the battery compartment door and locate the dipswitches.
2. Change the dipswitches to the settings you prefer, record for future reference in the table below.

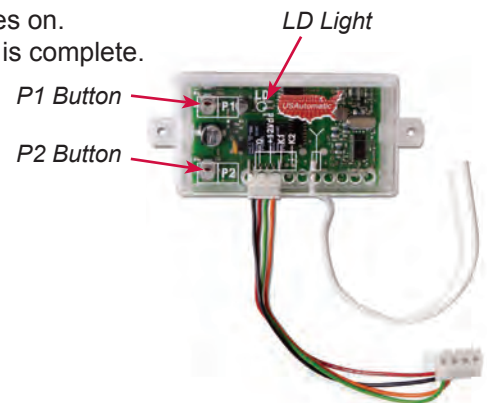
Switch Position	Switch 1	Switch 2	Switch 3	Switch 4	Switch 5	Switch 6	Switch 7	Switch 8	Switch 9
+									
0									
-									

### Transmitter Left Button to Receiver Programming: *(standard Open/Stop/Close function)*

1. Press and hold the left transmitter button down. Red light on transmitter should be on.
2. On the receiver, push the P1 push-button until the green LD light comes on.
3. Release both buttons. Transmitter left button to receiver programming is complete.

### Transmitter Right Button to Receiver Programming: *(Hold-Gate-Open)*

1. The 2-channel receiver allows for programming the P2 relay from momentary mode (default) to latching mode. Transmitter right button can be programmed to hold gate open, over-riding the auto-close or any other close command.
2. Press and hold the right transmitter button down. Red light on transmitter should be on.
3. Press the P2 push-button until the green LD light comes on.
4. Release both buttons. Transmitter right button to receiver programming is complete.



### Receiver Programming: Relay P2 programming from momentary to latching mode (to hold gate open)

See Receiver Programming on page 42 to complete Hold-Gate-Open programming.

### Erasing Single Transmitter from Receiver Memory:

The dipswitch settings of the transmitter to be deleted must be known. If known follow the steps below.

1. Set the dipswitches in a transmitter to match the switch settings of the transmitter code to delete.
2. Press and hold the left transmitter button.
3. On the receiver, push the P1 push-button until the green LD light comes on. Then release both.
4. Press and hold the right transmitter button.
5. On the receiver, push the P2 push-button until the green LD light comes on. Then release both.
6. Transmitter is now erased from receiver memory.

### Erasing all Transmitters from Receiver Memory:

1. Press the P2 button on the receiver until the green LD light comes on. Then release P2 button.
2. While LD light is on press the P1 and P2 buttons simultaneously and hold until the green LD light begins to blink slowly. It should blink 4 times then all transmitter codes are erased.

# Programming Your Wireless Keypad

**050520 or  
050500** (plastic)



PUK code  
\_\_\_\_\_

**050550**  
(metal)



PUK code  
\_\_\_\_\_

## Terms to Understand

**Access Code** – The 2 to 5-digit code used to open the gate (24 unique codes are possible). If access code is less than 5 digits it requires the # sign after code is entered. Example: “2 #.” If code is 5 digits the # sign is not required. Metal keypad uses A or B in place of \* and #.

**ACCESS CODE CAN NOT BE THE SAME AS THE MASTER PASSWORD.**

**Master Password** – The 5-digit code used to access programming features. Factory default is “11111”. This should be changed for security reasons.

**NOT USED TO OPEN GATE AND CAN NOT BE THE SAME AS THE ACCESS CODE.**

**Relay 1** – The receiver has 2 relays. P1 (relay 1) is pre-wired to the J2 connector - pin 3.

**Relay 2** – The receiver has 2 relays. P2 (relay 2) is pre-wired to the J2 connector - pin 9.

**Keypad Security Code (Dip Switch Code)** – This code makes your keypad unique to your installation. Keypad does not have dip switches like the transmitter; instead it has virtual dip switches which must be programmed.

**PUK Code** – “Password Unblocking Key.” The PUK code is located inside the keypad and is needed when the master password has been lost. Record in space above for future reference. Must be 5 digits long.

**“ \* ” or “A” Key** – located on the keypad is used to cancel last command entered.

**Red Light Blinks** – When blinking, the keypad is sending a signal to the receiver. Valid access code was entered. This is the Blue 5 key on the metal keypad.

**NOTE: Do not install keypad until “Create Communication with Receiver P1 (relay 1)” has been completed.**

## Keypad Programming

**Create Access Code:** (Code you use to operate the gate)

**\*CAN NOT BE THE SAME AS THE MASTER PASSWORD!**

1. Enter the Master Password “11111”. (this is the factory default master password).
2. Enter “9” If correct, 2 short beeps (if 1 long beep is heard, start over with step 1).
3. Enter the new Access Code (up to 5 digits), if less than 5 digits, “# or B” key is required.
4. Enter “9”
5. Enter the new Access Code again to verify.
6. Enter “1”. If this access code is for P1 (relay 1) Enter “2” if this access code is for P2 (relay 2).
7. If correct, 2 short beeps (if 1 long beep is heard, start over with step 1).
8. Continue with “Create Communication with Receiver” to complete programming.

**NOTE:** Step 6 above allows you to select a unique frequency (1, 2, 3, 4) for the access code you are creating. Keypad can be programmed with 4 different access codes each having a unique frequency. This is used when multiple gates are within range of the keypad. Create an access code using 1 in step 6 for one gate. Create an access code using 2 in step 6 for the second gate. This allows one keypad programmed with 2 access codes to operate 2 different gates within range or two keypads can be installed on 2 different gates without interfering with each other. If 4 gates were involved then 3 and 4 could be used in step 6. Also used to create a unique access code to activate the hold open feature offered with P2 (relay 2).



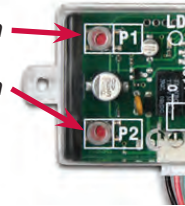
**Create Communication with Receiver: \*for P1 (relay 1) access code:**

1. Carry keypad to receiver location for programming.
2. Enter Access Code for P1 (relay 1) on the keypad and continue to press the last key entered (red light blinks).
3. Press P1 (learn button) on the receiver until LD (green light) comes on and relay clicks.

Receiver

P1 Button

P2 Button



**Create Communication with Receiver: \*for P2 (relay 2) access code:**

1. Carry keypad to receiver location for programming.
2. Enter Access Code for P2 (relay 2) on the keypad and continue to press the last key entered (red light blinks).
3. Press P2 (learn button) on the receiver until LD (green light) comes on and relay clicks.

**Programming New Master Password: Once created record here for reference \_\_\_\_\_**

**NOTE: The Master Password is NOT an access code. This is a MASTER programming code used to access the programming of the keypad. It is not used to operate the gate.**

1. Enter the Master Password "11111".
2. Enter "8" If correct, 2 short beeps (if 1 long beep is heard, start over with step 1).
3. Enter the Master Password (up to 5 digits), if less than 5 digits, "# or B" is required.
4. Enter "8"
5. Enter the Master Password again to verify.
6. Press "8" If correct, 2 short beeps - New Master Password is set (If 1 long beep is heard, start over with step 1).

**Programming Master Password Back to Factory Default: (11111)**

1. Enter "11111".
2. Press "8" (long beep).
3. Enter PUK code. (PUK must be 5 digits).
4. Press "8".
5. Enter PUK code to confirm.
6. Press "8" (2 beeps) Master password reset complete.

**Deleting Single Access Code:**

1. Enter the Master Password.
2. Press the "7" key. If correct, 2 short beeps (*if 1 long beep is heard, start over with step 1*).
3. Enter the Access Code to be deleted.
4. Press the "7" key. (*cont. next page*)
5. Reenter the Access Code to be deleted.
6. Press the "7" key. If correct, 2 short beeps (*if 1 long beep is heard, start over with step 1*).

**Deleting All Access Codes:**

1. Enter the Master Password.
2. Press the "7" key. If correct, 2 short beeps (*if 1 long beep is heard, start over with step 1*).
3. Reenter the Master Password.
4. Press the "7" key.
5. Reenter the Master Password.
6. Press the "7" key. If correct, 2 short beeps (*if 1 long beep is heard, start over with step 1*).



## Changing Keypad Security Code:

This keypad has a virtual dipswitch used to create your Security Code. The virtual dipswitch contains nine 3-position switches. To ensure neighboring keypads do not interfere with each other, the virtual switches should be positioned in a random pattern, using the following procedure.

Example of random positioning of the virtual dipswitches to create a Security Code is shown below. To enter the Security Code, enter the dipswitch number, followed by the dipswitch position character.

The Security Code would be entered as: 1# 20 3\* 4\* 5# 6\* 7# 80 9\*

Dipswitch Position	Switch 1	Switch 2	Switch 3	Switch 4	Switch 5	Switch 6	Switch 7	Switch 8	Switch 9
# or B	X				X		X		
0		X						X	
* or A			X	X		X			X

Use table below to create your random security code and follow steps below to program your keypad.

Dipswitch Position	Switch 1	Switch 2	Switch 3	Switch 4	Switch 5	Switch 6	Switch 7	Switch 8	Switch 9
# or B									
0									
* or A									

1. Enter the Master Password.
2. Enter "6" If correct, 2 short beeps (if 1 long beep is heard, start over with step 1).
3. Enter the Security Code created in the previous table. If correct, 2 short beeps after each switch number and switch position combination is entered.
4. Enter "# or B"
5. Enter "6"
6. If correct, 2 short beeps (if 1 long beep is heard, start over with step 1).

## Receiver Programming - Hold Gate Open

### Relay P2 programming from momentary to latching mode (to hold gate open)

1. Press the P2 push-button until the green LD light comes on, then release.  
*Green LD light should be steady. If flashing latch mode is already set.*
2. If not flashing release P2 immediately and press P1 once.
3. Green LD light should be flashing. Latching mode is set.

### Verifying Receiver P2 relay is programmed to latching mode:

1. Press the P2 push-button until the green LD light comes on, then release.
2. Green LD light should be flashing. If green LD light is steady, redo the Receiver Programming section above.

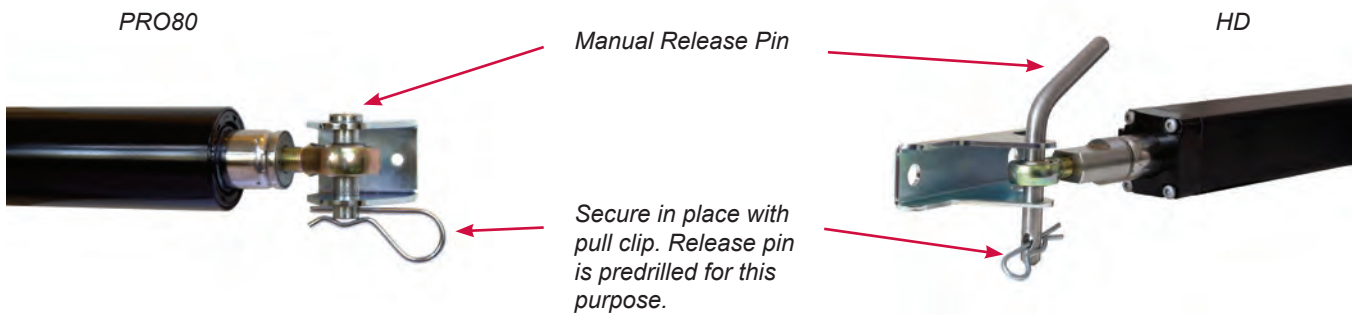
### Resetting receiver P2 relay to momentary mode:

1. Press the P2 push-button until the green LD light comes on, then release. Green LD light should be flashing.
2. While the LD light is flashing, push the P1 push-button down and release. Green LD light should be steady. Momentary mode is set.



## 26 Emergency Manual Release

Remove the manual release pin at the gate bracket and open the gate by hand. Secure the gate before attempting to pass through.



## PERIODIC SERVICE

All gate operators require periodic checking and adjustments of the control mechanism for force (load), speed and sensitivity.

All accessories and monitored safety devices must be checked. Monitored protection devices need to be checked at least once a month for proper operation.

Periodic checking is also advised for the following:

1. Battery terminals for corrosion, clean as required.
2. Hinges and pivot points need to be greased.
3. Mounting bolts for correct tightness.
4. Inspect weld points for cracks or other defects.
5. Inspect wiring for cuts, nicks or other defects.
6. Inspect hinge post to ensure it is not moving or twisting.
7. Verify monthly that the inside of the control cabinet remains clean and free of insects. Do not spray control board with bug spray or oil based products.
8. Observe battery controller and verify battery voltage reading is above 11 vdc. If not have battery load tested.

## Electric Gate Lock

Part Number 070510

### Suitable for solar and AC charged systems.

The Ranger Control Board will energize and release a 12 vdc electric gate lock or de-energize and release a magnetic gate lock 1 second before the gate or gates begin to open.

### To activate the electric gate lock delay circuit

Turn SW1 switch 5 on. This also activates the Gate Delay Feature on Dual Gate systems.

Connect the negative (blue) wire from the gate lock to negative post of the battery.

Connect the positive (+12vdc) green wire from the gate lock to J8 Electric Lock terminal 3.

For Dual Gates, see Gate Delay Feature Section.



## Magnetic Gate Lock

*(Non-US Automatic product)*

### Not suitable for solar charged systems. Suitable for AC charged systems.

To activate the magnetic lock delay circuit, turn SW1 switch 6 on. Connect the negative wire from the magnetic gate lock to negative post of the battery. Connect the positive (+12vdc) wire from the magnetic gate lock to J8 Mag Lock terminal 1.

For Dual Gates, see Gate Delay Feature Section.

## Exit Sensor (Solar friendly device)

Preferred Technologies CP-3-3W

Part Number 070305

The driveway exit sensor is a magnetic device that installs below ground beside the drive. A magnetic field is established which when interrupted by a moving metal object will send a signal to open the gate. This sensor is supplied with 100 foot of cable and is typically installed inside the property beside the drive to automatically open the gate when a car passes. This type of sensor is not a safety device.

It is recommended to install this sensor and cable in PVC conduit.

Wire as follows: Red wire – connect to J2 pin 1

Shield (braided wire) – connect to J2 pin 2, 5 or pin 7

Black wire – connect to J2 pin 9



## Push to Operate Wireless Button

Part Number 030215

Part Number 030215 (white)

Part Number 030215 (black)

The Push to Operate transmitter is designed for indoor or outdoor wireless installation. Install to allow operation of the gate or garage by simply pressing the pad. The button is a pressure sensitive pad. Press the pad and an audible tone is generated. Programming is identical to transmitter programming. Installation hardware is included. Compatible with all USAutomatic receivers.

### Programming Push to Operate

1. Install Battery.
2. Place hand on face plate. - Unit should beep while hand is in place.
3. While beeping, press the P1 button on receiver for open and close operation.
4. Hold P1 button about 2 seconds. When gate moves, programming is complete.



## 2 Button LCR Transmitter

Part Number 030210

Standard Transmitter for all USAutomatic operators  
Operating Frequency 433.92 MHz



## 4 Button LCR Transmitter

Part Number 030212

Operating Frequency 433.92 MHz



## 12/24 Vdc Receiver AC/DC

Part Number 030207

- Ideal for gate operators with 12 or 24 VDC/VAC supply power. Not recommended for solar applications.
- Dual channel NO and NC contacts.
- Two relays - Momentary and Latch Mode selectable
- Standby current consumption 15ma.



## Charge Cable Extension Pigtails

Part Number 630038

Provides easy splicing of charging device cable. Works with AC Transformer and Solar Panel.



## Monitored Entrapment Device Expansion Module

Part Number 500015

The expansion module is designed to monitor for the connection and proper operation of multiple monitored external entrapment devices.

If the installation requires more than 1 monitored contact edge or 1 monitored photo eye for open or close direction, the expansion module must be installed.

Monitors up to 5 monitored contact edges (10K resistor) and up to 4 monitored photo eyes (N/C contact - NO 10K) for a total of 9 devices.



## 7 Day Timer (Solar friendly device)

Part Number 550015

The optional 7 day timer can be used to open the gate at a preset time and if the auto close feature of the gate operator is being used the gate can then close automatically at a preset time. The timer is supplied with 3 spade terminals for easy connection. Connect wires from timer to control board J2 connector as follows:

- J2 Pin 1 (+12vdc) connect to pin 1
- J2 Pin 2 (Gnd) connect to pin 2
- J2 Pin 9 (Normally Open) connect to pin 4



## 20 Watt Solar Panel

Part Number 520030

2 mounting brackets included  
DC power plug for easy connection



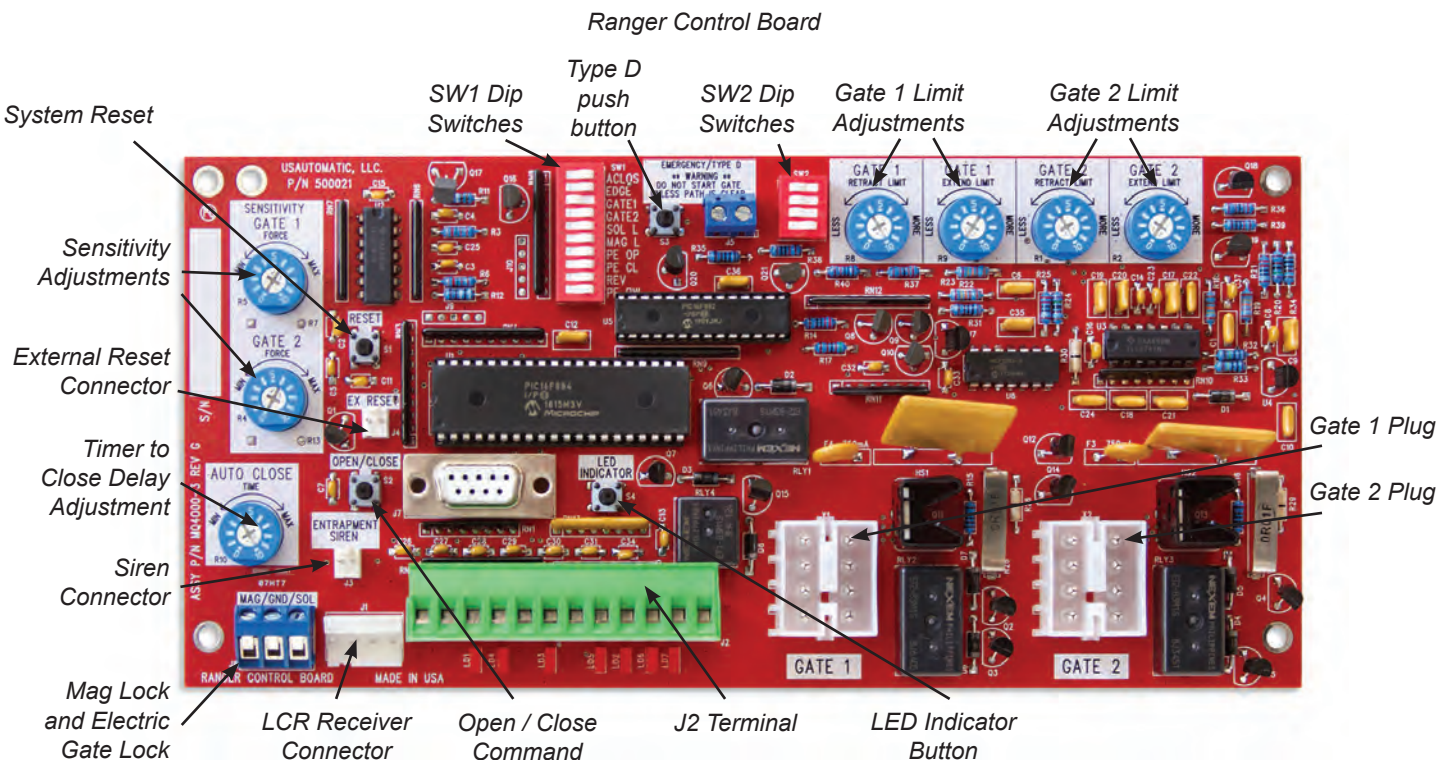


# Troubleshooting Guide

## Introduction

The Ranger control board is equipped with four unique features to assist in troubleshooting a gate system.

1. The first and most helpful is the series of LED indicating lights. These lights will help to identify problems with all control circuits. To use the indicators, press and hold the “LED Indicator” button on the control board. (The LED’s are not active unless the LED indicator push button is pressed and held to save battery life). Any circuits that are activated will be obvious by the illumination of the adjacent LED.
2. The second feature to assist in troubleshooting is the on board “Open / Close Command” pushbutton.
3. The third feature is the S4 push button - Type D protection - This button makes it possible to operate the gate with the J2 Accessory plug removed. Type D button will bypass all entrapment devices allowing gate operation. Verify gate path is clear before pressing button. Must hold button for gate operation.
4. Low battery Audible notification - If the battery voltage falls below 10.5 vdc the siren will beep 3 times rapidly pause 5 seconds and repeat for 60 seconds. The next time the gate is operated this will repeat until the battery problem is corrected.



## Terms and Definitions

**LED** -Light Emitting Diode - small red lights on control board below J2 Terminal plug.

**Control board** - Located inside the control box in the upper right corner.

**Linear Actuator** - Connected to gate and hinge post - contains the motor, gearbox, rotary potentiometer and extension tube.

**Dip Switches** - Small switches, which are located on the control board. SW1 and SW2, is located in the upper center of the control board.

**Sensitivity adjustments** - Located on the control board. These adjustments are the primary safety feature. If the gate comes in contact with an object it will stop and reverse. These adjustments control the amount of force applied to an object before reversing the gate.

**Battery Controller** - Located inside the control box. This is the battery charger. The input power for this device can be either from a transformer or from a solar panel.

**DC Adaptor** - This device connects to a 110 VAC electrical outlet and converts it to a low DC voltage that can be connected to the controller to provide continuous charging of the battery.

**Entrapment Siren** - If the control board sensitivity circuit senses an obstruction it will reverse the gate and if a second obstruction is detected before the gate reaches a fully open or close limit the control board will shut down the operator and sound the entrapment alarm for five minutes or until the "Reset" button is pressed.

Low battery alarm - if battery voltage falls below 10.5 vdc the siren will emit 3 quick burst and repeat every 5 seconds.

## Summary of Symptoms Included in This Guide

1. Single gate will not operate.
2. Dual gate will not operate.
3. My single or Dual gate will not operate. Monitored entrapment devices are installed.
4. Gate will not automatically close.
5. Gate begins to open or close, but stops and reverses after a couple of seconds.
6. Single Gate opens or closes correctly, then immediately reverses direction.
7. Dual Gate opens or closes correctly then immediately reverses direction.
8. Transmitter (Remote control) will not operate the gate.
9. Gate opens with the transmitter but will not close with the transmitter.
10. Photo eye, safety loop or other safety accessory will not reverse the gate when closing.
11. Pressing the "RESET" button only, causes the gate to operate.
12. Battery (AC or Solar Charged) will not stay charged.
13. Wiring harness 20 amp fuse blows when harness is connected to the battery.



<p><b>* IMPORTANT FIRST STEP</b></p>	<p>First thing to verify is that no monitored entrapment devices are creating the problem.</p> <ol style="list-style-type: none"> <li>1. Press the Open/Close button on the control board. If gate does not operate proceed to step 2.</li> <li>2. Press the Type D S4 push button and hold to operate the gate.</li> <li>3. If gate operates while pressing the S4 button then a monitored device is preventing normal operation.</li> <li>4. If control board clicks and gate does not operate the battery needs to be load tested, replace or charge as necessary.</li> <li>5. Identify monitored devices connected and check for proper operation.</li> </ol>
<p><b>1. Single gate will not operate: (Ranger I)</b></p> <p><b>Verify monitored entrapment device switches are set correctly. See installing monitored entrapment devices section.</b></p>	<ol style="list-style-type: none"> <li>1. Open the control box cover locate the “Open/Close Command” push button and press it to operate the gate.</li> <li>2. Press the “Reset” push button located above the “Open/Close Command” button, then push the “Open/Close command” push button to operate the gate.</li> <li>3. Press and hold the “LED Indicator” push button and observe all of the red LED’s       <ol style="list-style-type: none"> <li>a. If any of the LED’s below the J2 terminal plug on the control board are on then this must be corrected. These lights correspond to the J2 accessory input terminals.</li> <li>b. Identify the light that comes ON and then the J2 terminal number it is associated with.</li> <li>c. Locate the accessory, which is connected to that J2 terminal number</li> <li>d. Disconnect the accessory wire from that J2 terminal and verify gate operation.</li> </ol> </li> <li>4. Call the factory for more information if the above steps have not worked.</li> </ol>



<p><b>2. Dual gate will not operate. (Ranger II)</b></p> <p><b>Verify monitored entrapment device switches are set correctly. See installing monitored entrapment devices section.</b></p>	<ol style="list-style-type: none"> <li>1. Follow steps 1 through 7 above.</li> <li>2. Disconnect the actuator connectors plugged into the control board Gate 1 and Gate 2 (X1 and X2). Then locate the SW1 dipswitches on the control board. Turn off switch 4 (down on left side) and turn on switch 3 (down on the right side). <p>Reconnect the connector from the actuator that goes to the gate closest to you. Connect it to the Gate 1 (X1) connector on the control board. Press the "Open/Close Command" button and verify that the gate operates.</p> </li> <li>3. If the gate operates correctly, disconnect the actuator plug and connect the other actuator plug into the Gate 1 (X1) connector. Press the "Open/Close Command" button and verify that the gate operates correctly. At this point you have tested each actuator individually. If both worked correctly in Gate 1 then go back to SW1 and turn switch 3 off and switch 4 on. Then repeat step 2 and 3 again using Gate 2 (X2) connector on control board in place of Gate 1 (X1).</li> <li>4. If a problem is observed in steps 2 or 3 above most likely it was when the Gate 2 actuator (located the greatest distance from control box) was being tested. If this is correct check wiring splices for moisture, correct wiring etc. If the wiring is not in watertight conduit, this is most likely the problem. Tape is not watertight. Splices should never be underground.</li> </ol>
<p><b>3. Single or Dual gate will not operate. Monitored entrapment devices are installed.</b></p> <p><b>Identify the monitored entrapment device/ devices installed - Photo Eye or Contact Edge.</b></p>	<p><b>Contact Edge with 10K resistor monitoring -</b></p> <ol style="list-style-type: none"> <li>1. Verify that dip switch SW1 switch 10 (contact edge monitor) is ON pressed down on the right hand side..</li> <li>2. Press and hold the LED indicator on the control board.</li> <li>3. Verify the LD3 LED (Contact edge 2nd entrapment) located below the J2 plug is OFF.</li> <li>4. If ON then check wire connections from contact edge for proper connection.</li> <li>5. If wires are good then verify the contact edge has a 8.25k or 10k resistor installed. Verify by disconnecting and checking with meter.</li> <li>6. Activate the contact edge by depressing it and verify the LD3 LED is ON bright.</li> <li>7. If not contact edge is bad</li> </ol>



	<p><b>Photo Eye N/C contact monitoring -</b></p> <ol style="list-style-type: none"> <li>1. Verify that SW1 dip switch 10 is ON press down on the right hand side.</li> <li>2. Verify that dip switch SW1 switch 7 or 8 (photo eye monitor) is ON press down on the right hand side. Turn ON the ones being used.</li> <li>3. Turn dip switch SW1 3 and 4 OFF. Allows power to be applied to photo eye.</li> <li>4. Press and hold the LED indicator button located on the control board.</li> <li>5. Verify that LD4 or LD5 LED (Photo eye N/C) located below J2 on the control board is ON.</li> <li>6. If not verify alignment between photo eye transmitter and receiver. Correct if necessary.</li> <li>7. If not then check wire connection from photo eye for proper connection.</li> <li>8. If LD4 or LD5 are ON verify that the Led goes OFF when photo eye beam is broken.</li> <li>9. If LED does not turn OFF when beam is broken then photo eye is bad.</li> </ol>
<p><b>4. Gate will not automatically close</b></p>	<p><b>NOTE:</b> If SW1 switch 1 is on then the gate should automatically close from any position.</p> <ol style="list-style-type: none"> <li>1. Locate the “Open/Close Command “ push button. Press the button to verify that the gate will close. If gate closes correctly then proceed to the steps below.</li> <li>2. Verify that SW1 switch 1 is on. If not, turn it on and recheck gate operation. If gate remains open, continue with step 3.</li> <li>3. Locate the “LED Indicator” push button and depress and hold. While pushing the button inspect the LED indicators located on the control board (under the J2 Terminal Plug) and note which LED’s are on. If LD1, LD2, LD6 or LD7 are ON then remove the wire from J2 for that LED and cycle gate and verify auto close is working.</li> <li>4. If so the device wired to J2 pin 3, 9, 10 or 11 that was disconnected is bad.</li> </ol>



<p><b>5. Gate begins to open or close but stops and reverses after a couple of seconds</b></p>	<ol style="list-style-type: none"> <li>1. Open the control box cover and locate the Ranger control board. Locate the sensitivity adjustment potentiometer located on the control board. The white center is adjustable and needs to be turned in a clockwise direction to increase force.</li> <li>2. Normally a setting of (8 for PRO80) or (5 for HD) will operate most gates; if your gate requires a higher setting there is a good chance that your gate has a problem, which needs to be corrected. Possible causes are incorrect hinges, gate touching the ground; gate not level or the actuator arm connected to the gate defective or is bent. Identify and correct problem.</li> </ol>
<p><b>6. Single Gate opens or closes correctly, then immediately reverses direction.</b></p>	<ol style="list-style-type: none"> <li>1. This is most likely caused by an incorrect limit switch adjustment. The limit switch adjustments are located on the circuit board.</li> </ol>
<p><b>7. Dual Gate opens or closes correctly then immediately reverses direction.</b></p>	<ol style="list-style-type: none"> <li>1. This is most likely caused by an incorrect limit switch adjustment. First determine which gate is in need of adjustment.</li> <li>2. Locate the SW1 switches on the Ranger control board. Switch 3 and 4 should be turned on for a dual gate, turn off switch 4. This will disable one gate.</li> <li>3. Operate the gate and verify that it stops in the correct position. If so then turn switch 4 back on and turn switch 3 off. Operate the other gate now and verify that it stops in the correct position. One or both may not stop in the correct position.</li> <li>4. Once the gate that needs adjustment is identified (possibly both) readjust limits to correct position.</li> </ol>



<p><b>8. Transmitter will not operate the gate.</b> <i>(LCR radio equipment only)</i></p>	<ol style="list-style-type: none"> <li>1. Open the control box and locate the Ranger control board. Locate the “LED Indicator” push button and the “Push Button Input” LED under J2 Terminal 3. Push and hold the “LED indicator” push button, then press the transmitter button and observe the “Push Button Input” LED. The LED should come on while the transmitter button is depressed.</li> <li>2. If the “Push Button Input” LED did not come on in step 1 then make sure that the white receiver connector on the control board is securely and properly connected, replace the battery in the transmitter and verify that the transmitter is programmed to operate the receiver (refer to “programming receiver and transmitter”).</li> <li>3. If the “Push Button Input” LED in step 1 did come on and the gate did not operate then locate the “Open/Close Command” button located at the bottom center of the Ranger control board. Press the “Open/Close Command” button and note gate operation.</li> <li>4. If the gate did not operate in step 3, most likely a safety accessory connected to the green J2 connector is active. Verify this by depressing the “LED Indicator” push button and observe the LED’s located below the J2 terminal plug of the Ranger control board. If an LED is on, identify the accessory connected to the corresponding J2 connector terminal and correct the problem.</li> </ol>
<p><b>9. Gate opens using transmitter, but will not close using transmitter.</b> <i>(LCR receiver only)</i></p>	<ol style="list-style-type: none"> <li>1. The problem is most likely the programming of the LCR receiver (P2 relay is programmed to latch mode)</li> <li>2. On the Ranger control board locate press and hold the “LED Indicator” pushbutton.</li> <li>3. Look below the J2 terminal plug of the Ranger control board and note any LED’s that are on.</li> <li>4. If the “Free Exit/Open Input” LD2 is on then the receiver (P2) is programmed to latch mode.</li> <li>5. Go to “Resetting receiver P2 relay to momentary mode” section.</li> <li>6. If this does not correct the problem return to troubleshooting section 4 and perform steps 1-5.</li> <li>7. If problem is not corrected, call the factory for further troubleshooting.</li> </ol>



<p><b>10. Photo-eye being used for vehicular protection will not reverse the gate when closing or hold the gate open.</b></p> <p><b>*NOTE: the photo eye being used CANNOT have a 10k resistor installed for this application. 10K resistor must be removed for vehicular protection use.</b></p>	<ol style="list-style-type: none"> <li>1. The first thing to check is the accessory wiring. The accessory needs power (+12 vdc) wired to J2 terminal 5 on the Ranger control board. It also needs ground, which can be wired to the battery or to J2 terminal 2 or 7 on the Ranger control board. The other two connections are the "N/O (Normally Open) and Common ground". The common ground can be connected to the battery or to J2 terminal 2 or 7 on the Ranger control board. The N/O connection must be connected to J2 terminal 11 "Safety Loop / Reversing Edge Input". If the accessory is connected as described above it should reverse a closing gate or hold a gate open if the accessory is activated.</li> <li>2. To determine if the accessory is working correctly and that the Ranger control board is receiving the signal, locate the "LED Indicator" push button and the "Safety Loop / Reversing Edge Input" LED (located below the J2 terminal plug of the Ranger control board).</li> <li>3. Press and hold the "LED indicator" push button and observe the "Safety Loop / Reversing Edge Input" LED. Activate the accessory in question (if photo-eye break the beam.) If the accessory is working properly, the LED light should come on when the device is activated. If the device does not turn on the LED light, check the wiring on the J2 connector and check J2 connector connection to the Ranger control board. If wiring is good, then the accessory is not operating correctly. Repair.</li> <li>4. If the "Safety Loop / Reversing Edge Input" LED comes on and the gate does not reverse direction when closing, call the factory for other possible causes and return information.</li> </ol>
<p><b>11. Pressing the "RESET" button only, causes the gate to operate</b></p>	<ol style="list-style-type: none"> <li>1. This problem is probably due to a bad receiver. First locate the "LED Indicator" push button on the Ranger control board. Then locate the "Push Button Input" LED located below the J2 terminal plug of the Ranger control board.</li> <li>2. Press the "LED Indicator" button and observe the "Push Button Input" LED. If the LED comes on then the receiver relay is stuck closed and needs to be repaired or replaced.</li> <li>3. If the "Push Button Input" LED does not come on, call the factory for further troubleshooting and return information.</li> </ol>



<p><b>12. Battery (AC or Solar Charged) will not stay charged</b></p>	<ol style="list-style-type: none"> <li>1. The most common reason for this type of problem is a bad battery. It is highly recommended that the battery be load tested at a battery store to verify that it is good. The load test is the only sure way to know if we have a good battery.</li> <li>2. If the battery load test good then other items need to be checked such as system design, installation or possible charging problems with the battery controller.</li> </ol> <p><b>System design and Installation</b></p> <ol style="list-style-type: none"> <li>1. Verify the solar panel is facing in a South to Southwest direction and that the panel surface is not shaded by some object.</li> <li>2. System design refers to the accessories connected to the system. Accessories connected to the system cannot use more energy than the charging system can provide. Not all accessories are created equally and some manufacturers use much more energy than others to perform the same function. These concerns are minimized in an AC charged system where the charger has power connected to it continually.</li> <li>3. If the 120 VAC power checks good then disconnect the DC adaptor from the battery controller. Using a volt meter check the transformer output. The transformer should read about 20 vdc, if the transformer output is incorrect the transformer needs to be replaced with USAutomatic part # 520009.</li> </ol> <p><b>Solar Charged Systems ONLY</b></p> <ol style="list-style-type: none"> <li>1. Remove the solar panel plug from the battery controller input and measure the DC voltage from the solar panel. It typically should be about 19 to 22 VDC. This reading must be taken when the sky is clear and the sun is up directly on the panel.</li> </ol> <p><b>NOTE:</b> This reading does not guarantee the solar panel is outputting the correct current to keep the battery charged, but it is a good first check.</p>
<p><b>13. Wiring harness 20 amp fuse blows when harness is connected to the battery</b></p>	<ol style="list-style-type: none"> <li>1. Possible short in the wiring harness.</li> </ol>

## A USAutomatic Battery Controller

Battery controller is designed to charge 12 vdc batteries of various types using either solar panel or DC transformer part # 520009. It also capable of charging 24 vdc battery if using a 24-volt solar panel. The package includes Power source input adapter plug.

**Recommend battery types:** SLA (Sealed Lead Acid), FLD (Flooded Lead Acid), GEL and AGM are all ideal choices. We do not recommend using Lithium-ion batteries with this controller.

Controller Features		
12 / 24 vdc battery detection	Battery voltage reading active	PWM charging mode
Battery reverse connection protection	Battery reverse discharge protection	USB power outlet
LCD display	Temperature compensation	Plug N Go connections
Controller Specifications		
10-amp solar charger	6.2 in x 2.75 in x 1 in	Weight 4.2 oz
DC adapter 20vdc @ 1.2 amps max	Float charging 13.8 / 27.6 vdc	Max solar panel 130 watts
Self-consumption < 9ma	USB max current 1.5 amps	Under voltage cutoff 10.5 vdc

### Installation

The controller is fully automatic for easy and quick installation.

1. Connect battery to the controller.
2. Controller LCD screen will display current battery voltage.
3. Connect Power source input adapter plug to controller power source input
4. Connect Power Source to controller (solar panel or DC transformer)



#### Power Source Inputs:

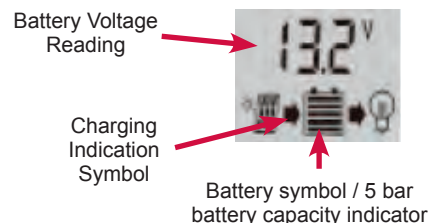
1. DC power plug 2.5mm
2. Direct wire leads 14-18 gauge

#### Battery Connections:

1. Anderson Power Plug
2. Direct wire leads 14-18 gauge

### Operation

- Charging Indication Symbol when steady indicates that the power source is charging the battery.
- No symbol indicates power source is not supplying enough energy to charge.
- No symbol indicates power source polarity is reversed, verify power source polarity.



*\*If the symbol is flashing, the battery is fully charged and has entered float charging state.*

### Diagnostics

1. Controller LCD screen is blank:
  - A. Battery voltage below cutoff voltage. Load test battery replace or charge as necessary.
  - B. Reverse battery connection indication. Verify battery polarity connection to controller.
2. Battery symbol is flashing – indicates the battery voltage exceeds the rated input voltage of the charger. Disconnect the external battery charger from battery or choose appropriate battery.

### Warning

**Risk of explosion! Never install the controller in a sealed enclosure with flooded batteries.**





## **B** Photo Eye - Vehicular Protection Only

Part Number 550011 - battery or hardwired transmitter

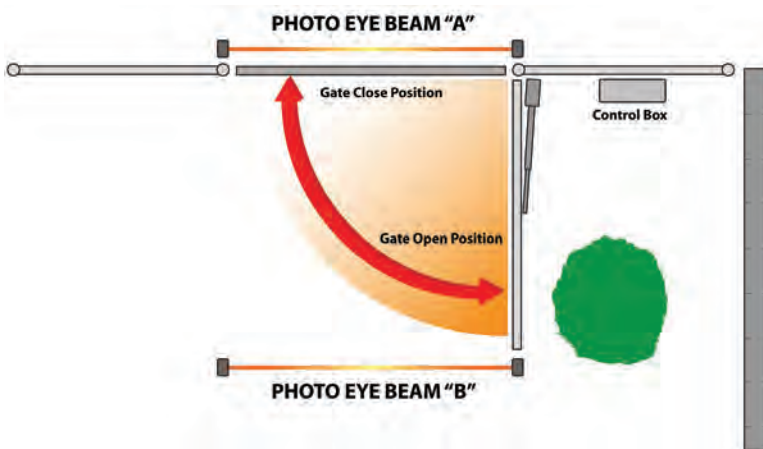
Part Number 550014 - hardwire only

Wiring Photo Eye to control board  
(Control Board part #500021)

Photo eyes are recommended for all systems. This provides protection against the gate closing on objects that may be in the gate path. Typically a swing gate needs two sets of photo eyes for the best area protection (see figure).

One set of photo eyes pointing across the drive on the outside of the hinge post (A). The second set mounted across the drive at the point where the gate is fully opened (B). The photo eye must be installed where the gate does not break the beam.

Vehicular Protection Shown Below - Entrapment Protection  
Must Protect Entrapment Areas page 3



#550011



#550014

The primary unit (Receiver) should be installed close to the control box.

It requires 4 wires to be installed from the unit to the control box.

The second unit (Transmitter) can be hard wired or battery powered, if using part # 550011 and should be installed on the opposite side of the drive.

Hard wired Photo Eye (550011 or 550014) requires 2 wires to be installed from the unit to the control box.

The two units must face each other to establish the beam (maximum distance 40 feet).

When utilizing the PEPM software the photo eye will only be powered up when the gate is operating.

## Installing Photo Eye For Vehicular Protection Only - NOT MONITORED

The photo eye must be wired as shown and the correct dipswitches must be turned on for the PEPM software to work correctly. Detailed instructions are below with illustration.

**NOTE:** Monitored Entrapment UL325 photo eye installation instructions refer to page 24 step 12a.

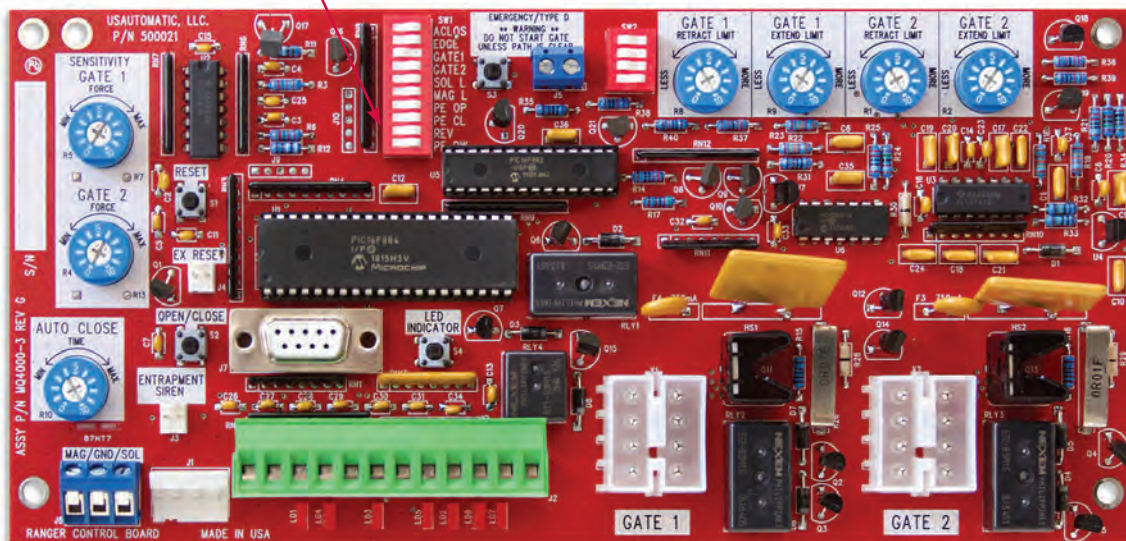
1. Connect photo eye power wire +12 vdc to J2 pin 12.
2. Connect photo eye power ground to J2 pin 2, pin 5, or pin 7.
3. Wire the RX relay N/O contact from the photo eye to J2 pin 11. No 10k
4. Wire the RX relay common from the photo eye to J2 pin 2, pin 5, or pin 7.
5. Turn OFF SW1 switch 3 and 4 (temporarily to provide power for installation)
6. Turn on dipswitch SW1 switch 10 photo eye power enable.
7. Install Photo eye and adjust beam – verify proper operation.
8. Once installed turn ON SW1 appropriate dipswitches for gate 1 or gate 2 or both for dual gates.

Test photo eye for proper operation, when gate is closing and beam is broken gate should stop and reverse to full open. If gate is open and beam is broken gate will not close.

**NOTE:** Power is applied to photo eye just before gate operation begins and turns off when gate stops.

**\*IMPORTANT - Photo Eye connecting to J2 pin 11 MUST NOT have a 10K resistor installed.**

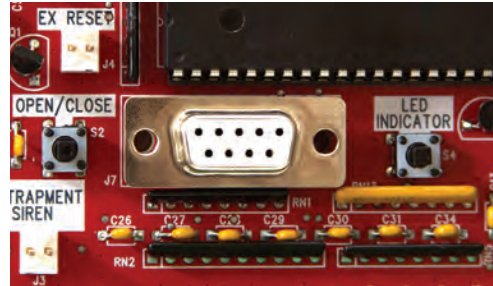
SW1 dip switch 10 -  
Photo Eye Power  
Management Enable



## C Installing the APP receiver to the Control Board

The USAutomatic NEXXGATE receiver module connects to the J7 plug on the control board. Follow the instructions included with the NEXXGATE receiver for setup.

For solar charged systems a 20 watt panel is recommended part #520030



## D Extending Charge Device Location (AC or Solar)

If charge device cable needs to be extended to reach the charge controller use “Ranger Charge Cable Extension Pigtails” Part Number 630038 (see figure). These DC plug pigtails connect to each end of a customer provided extension cable. Connections should be made in customer provided water tight box. Use charts below to determine wire size needed for the distance to be extended. The cable must be a 2 conductor cable, stranded wire recommended.



**Do not modify the transformer or solar panel cable, this will void the product warranty.**

1. Splice mate for the charge controller to cable end located in control box.
2. Splice mate for the charge device to cable end that connects to charge device. A water tight junction box should be used to keep connections dry.
3. Install DC plug connection and splice into junction box.

Charge Cable Extension Cable Selection Chart				
Transformer Extension Wire Size Chart				
0 to 100 ft	101 to 250 ft	251 to 500 ft	501 to 750 ft	750 to 1000 ft
18 gauge wire	16 gauge wire	14 gauge wire	12 gauge wire	10 gauge wire
Solar Extension Wire Size Chart				
	15 to 100 feet	100 to 250 feet	250 to 500 feet	
	18 gauge wire	16 gauge wire	14 gauge wire	

The wire used must be rated for Direct Burial use, unless in conduit. Wire ran in conduit must be rated for outdoor use. The above Table lists the recommended wire gauge per application length. Using a smaller gauge may impede performance or cause system to malfunction

# Ranger Swing Gate Operator

## LIMITED WARRANTY

USAutomatic, LLC warrants this product to be free of defects in materials for a period of 3 YEARS following purchase USAUTOMATIC, LLC will repair or replace the product free of charge, including parts, shop labor, return to customer shipping and handling.

Warranty does not cover damage caused by weather, natural disasters or severe acid damage from a battery.

### CONSUMER AFTER INSTALL:

If you have operation questions or are in need of warranty service, please contact our Product Support department by email at [www.usautomatic.com](http://www.usautomatic.com) or call 888-204-0174 Monday-Friday. If the issue is not resolvable, a manufacturer's warranty repair order may be issued. To have the product(s) sent for warranty service, a Return Authorization number (RA#) will be issued which must be written on the outside of the package. Packages without RA # may not be accepted. Packages for warranty service may be sent to the address below.

All repairs or replacements are at the discretion of the Manufacturer. This warranty excludes items that have been abused, altered, incorrectly installed, and damaged by weather or other acts of God. Changes or modifications not expressly approved by the Manufacturer could void the warranty. This warranty is limited to the product only. No consequential damages are covered.

USAutomatic, LLC  
170 Valley Ridge Blvd  
Lewisville, Tx 75057  
888-204-0174

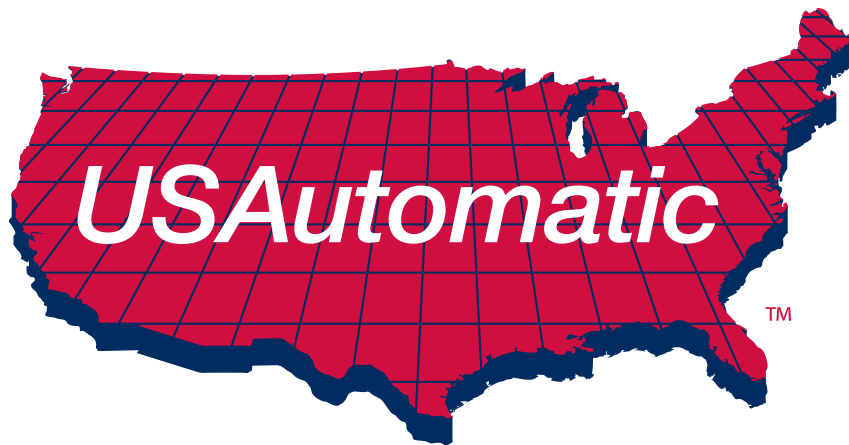
### *Keep this information for your records*

Model: \_\_\_\_\_ Serial Number\*: \_\_\_\_\_

Date of Purchase: \_\_\_\_ / \_\_\_\_ / \_\_\_\_ Purchased from: \_\_\_\_\_

*\*Serial number can be found by opening cover and looking on the control board.*





© USAutomatic, LLC, 2019 rev. A

*All rights reserved. No part of this may be reproduced by any means  
without the expressed written consent of the publisher.*



**PROUDLY MADE IN THE USA**

