

# GTA 602

- ✓ Suitable for garage doors up to 14 m<sup>2</sup>
- ✓ Certified according to standards, TÜV approved
- ✓ Powerful due to strong 24V DC motor
- ✓ Safety due to maximum force control
- ✓ Simple and fast programming



### The GTA 602 set consists of

- Motor head GTA 602 (750N)
- Standard fitting for up-and-over and sectional doors
- Hand transmitter UHF KeeLoq MHS 43-2
- UHF receiver module

Description:	Article Number	
GTA 602	150453-52-1-50	1 piece

Professional Line

### Possible track variants:

Description:	Article Number:	
KS 20 1-piece	150425-05-1-50	
KS 20 2-piece	150425-02-1-50	
KS 30 1-piece	150425-07-1-50	
KS 30 2-piece	150425-03-1-50	
KS 40 2-piece	150425-04-1-50	

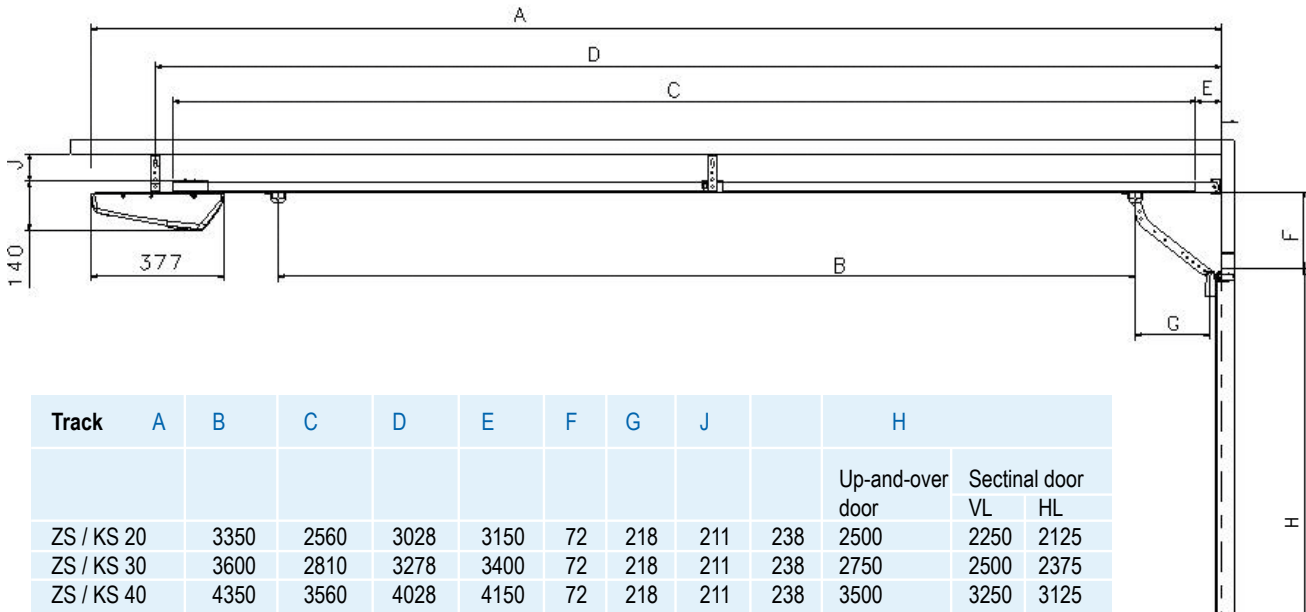
The GTA 602 operator is also available as **complete set** GTA 612 V with 3-parted chain track KS 20.



Description:	Article Number:	
ZS 20 1-piece	150426-05-1-50	
ZS 20 2-piece	150426-02-1-50	
ZS 30 1-piece	150426-07-1-50	
ZS 30 2-piece	150426-03-1-50	
ZS 40 2-piece	150426-04-1-50	

Description:	Article Number:	
GTA 612 V	147612-10-1-50	30 Stk.

For information concerning door height and according track as well as dimensions of the required track please refer to chart and index on page 18.



Track	A	B	C	D	E	F	G	J		H		
										Up-and-over door	Sectinal door	
										VL	HL	
ZS / KS 20		3350	2560	3028	3150	72	218	211	238	2500	2250	2125
ZS / KS 30		3600	2810	3278	3400	72	218	211	238	2750	2500	2375
ZS / KS 40		4350	3560	4028	4150	72	218	211	238	3500	3250	3125

### Technical Data

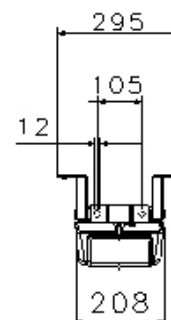
Push and pull force	750N
Mains supply	230 V / 50 Hz
Operating voltage	1,25 A
Operating voltage motor	24 V DC
Power consumption	280 W
Stand-by power consumption	4 W
Protection category	dry rooms / locations only
Weight motor head approx.	4,7 kg
Dimensions motor head	400 x 210 x 122 mm
Running speed	17 cm/s, soft start / soft stop
Control unit	micro-processor controlled
Control sequence	1. impulse = operator starts 2. impulse = operator stops 3. impulse = direction reversal
Radio control	433 MHz with KeeLoq rolling code
Lighting	230 V, 40 W, E 14
Lighting during operation	90 sec factory-set
Lighting via 2nd channel	approx. 4 min lighting
Touch contact	available as accessory
Additional features	adjustable lighting phase from 60 sec to 4 min or warning lamp
Automatic cut-out	separately adjustable force limitation for both directions, 10-level fine tuning
Safety system	automatic force adjustment with dual processor safety technology reversing in closing cycle, partial reversing before closed position, stopping during opening cycle
End-stop cut-out	micro-processor controlled detection of running way system, featuring position control
Max. running time	motor switches off after 90 sec running time
Anti-lock system	automatic cut-out and additional detection of motor shut down
Protection of forced manual opening	standard
Connecting further safety features	possible
Gears	closed self-locking worm gear
Quick release	standard, operate from the inside

### Caption

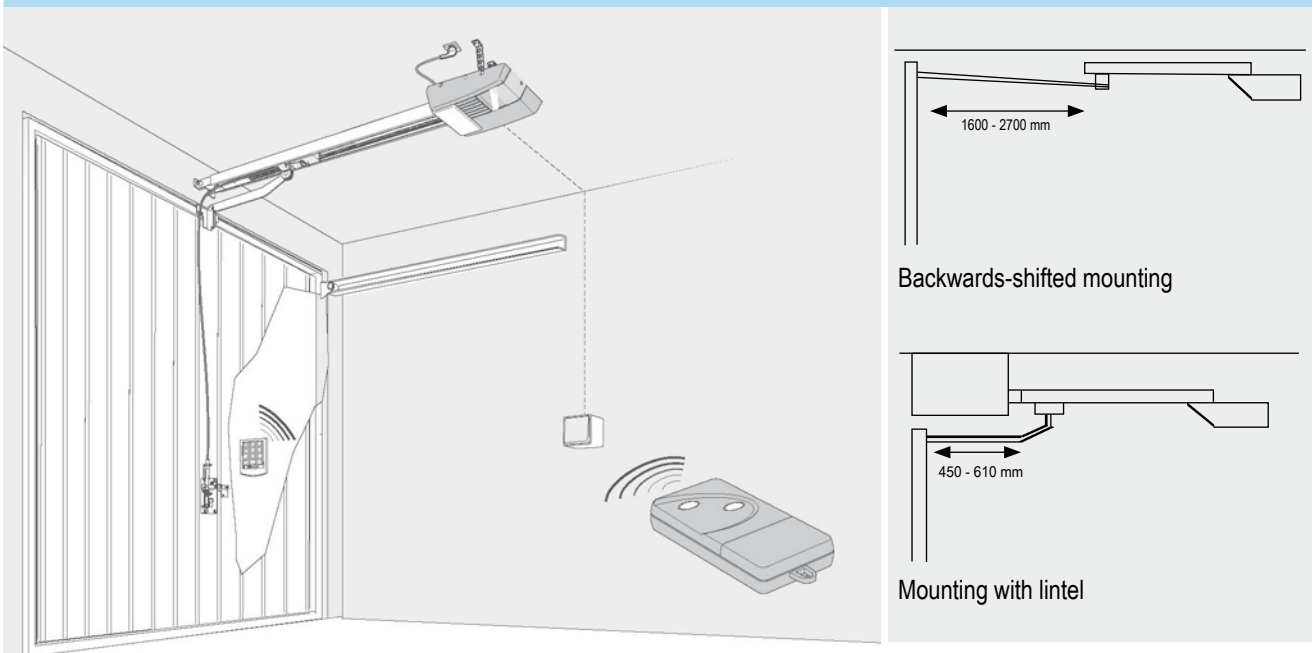
A	total length
B	max. length of slide way
C	length of track
D	distance wall console - operator suspension
E	wall console
F	max. height for mounting the track
G	min. distance thrust rod
J	max. height above track
H	height of door



### Dimensions motor head



Standard installation situation GTA 602



The charts shown above illustrate a possible installation situation for GTA 602. As illustrated, the operator is also suitable for backwards-shifted mounting and mounting with lintel. For these special cases, special door brackets are required. Please have a look at our accessories listed as Z1.

Recommended standard accessories

Description:	Article Number:
1. Hand transmitter UHF 2-channel MHS 43-2	020112-31-3-32
2. Hand transmitter UHF 4-channel MHS 43-4	020113-31-3-32
3. Emergency release up-and-over door	147061-47-1-50
4. Touch contact DigiCode Professional	148700-01-1-50
5. Touch contact with 7 m cable	147738-01-1-50



The GTA 602 is also compatible with further accessories. Please have a look at the chapter „Accessories for garage door systems“ listed as Z1.