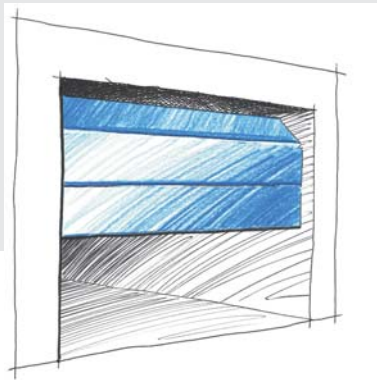
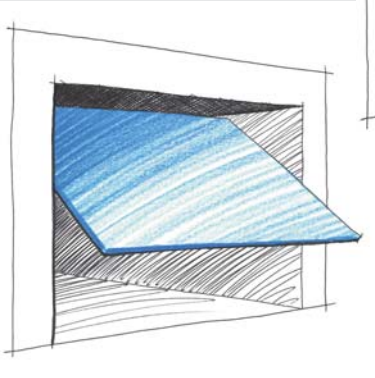
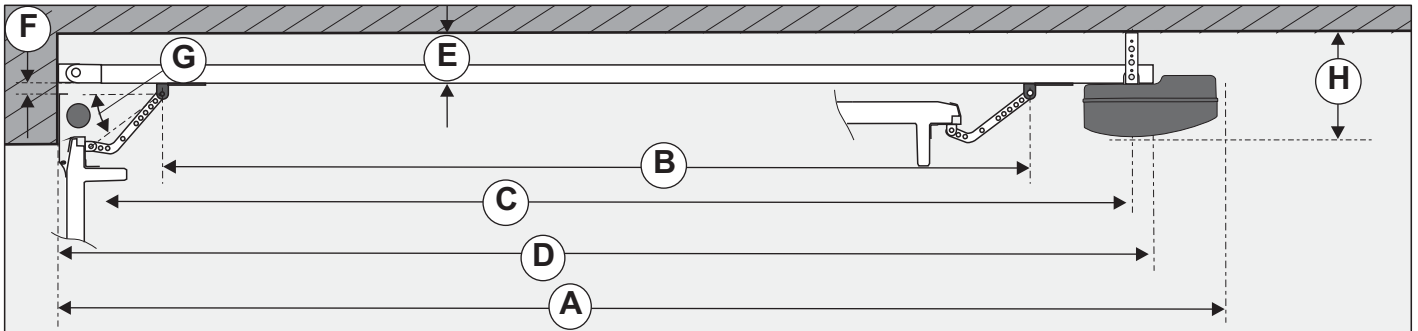




# DC 650 T / DC 800 T





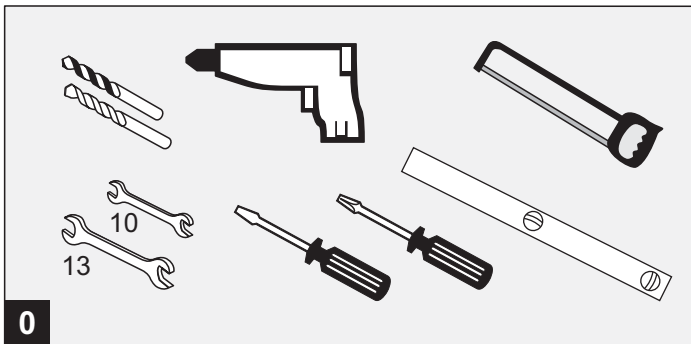
A = 3050 mm  
E ≥ 30 mm

B = 2560 mm  
F = 0 - 100 mm

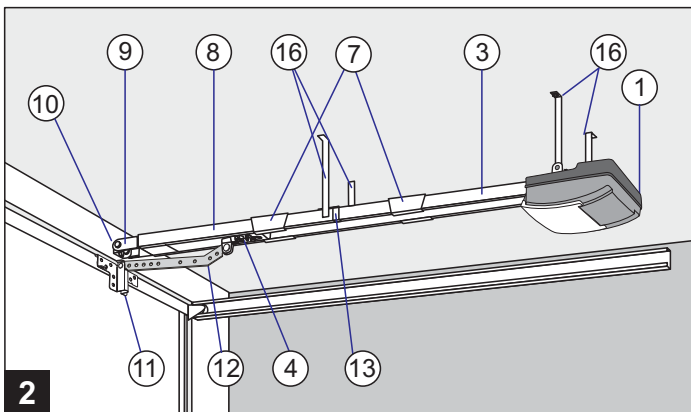
C = 2905 mm  
G = 30 - 50°

D = 2960 mm  
H ≥ 140 mm

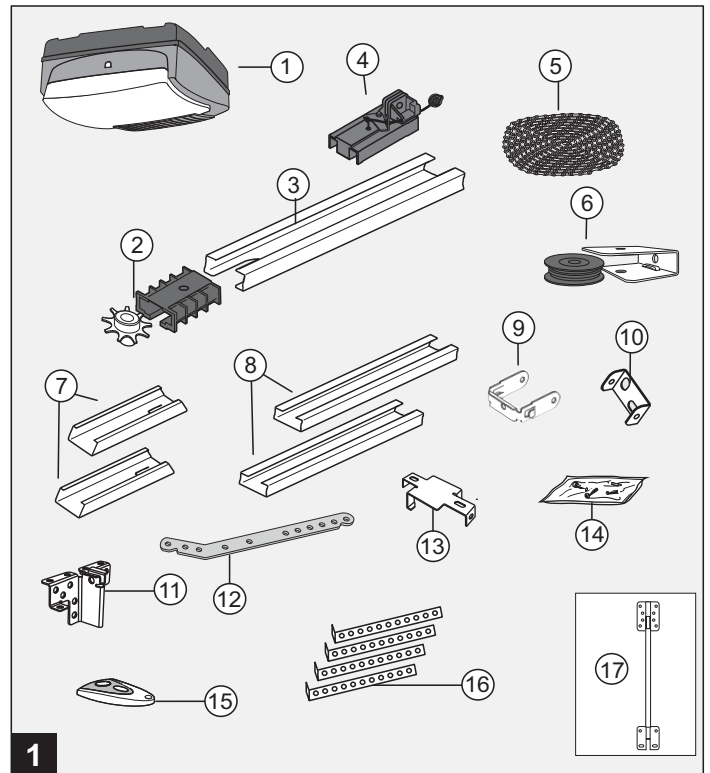
0



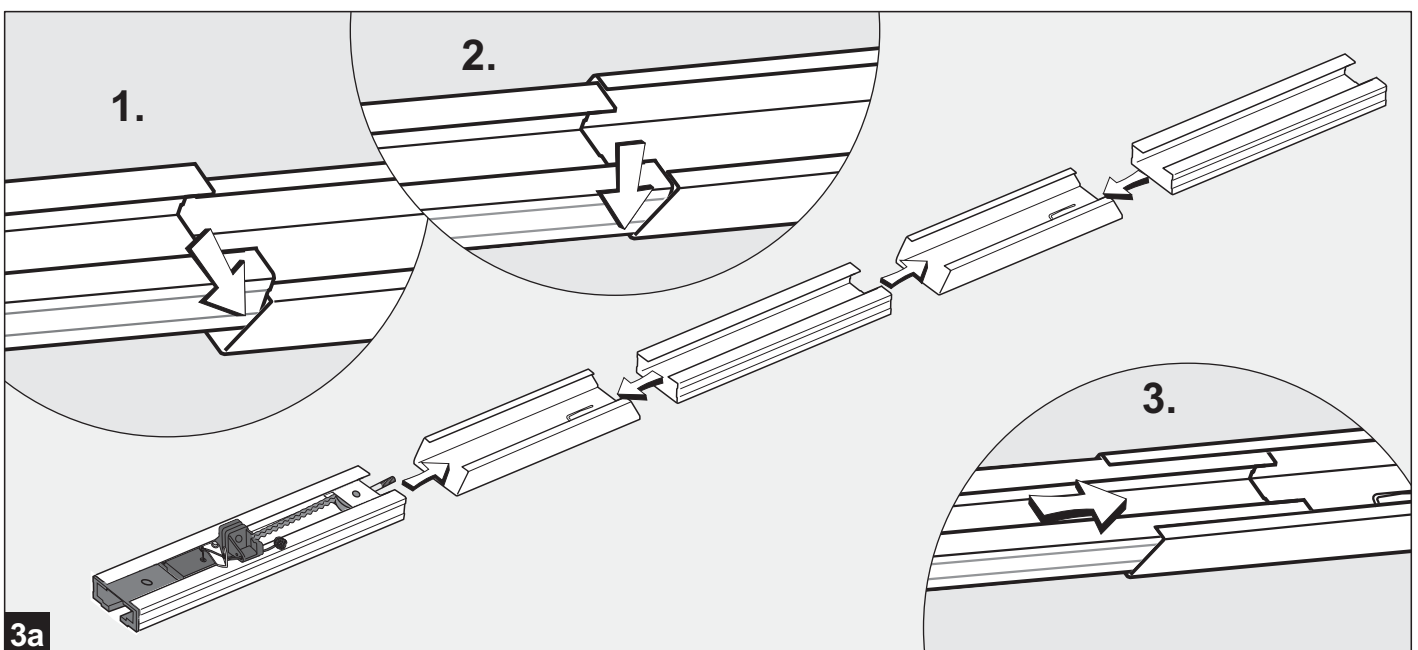
0



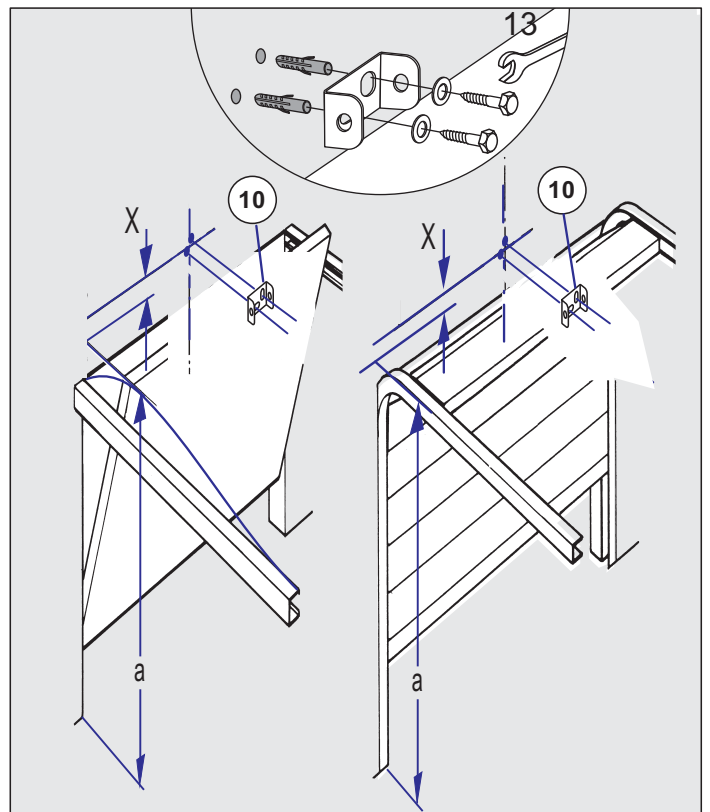
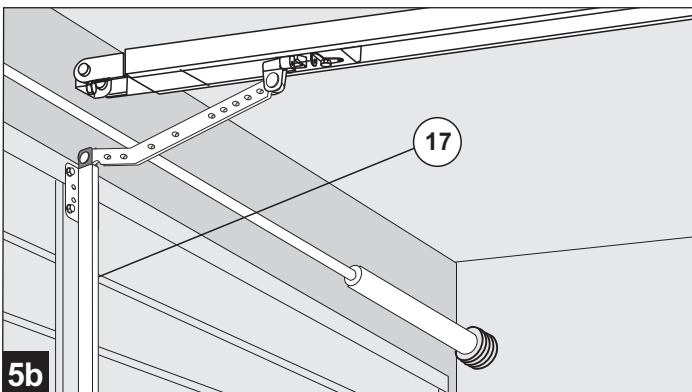
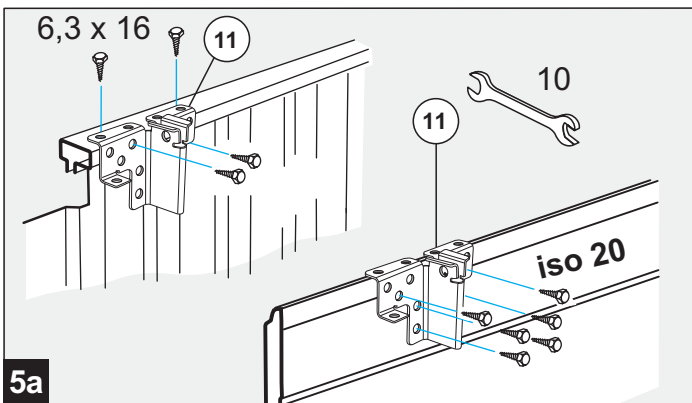
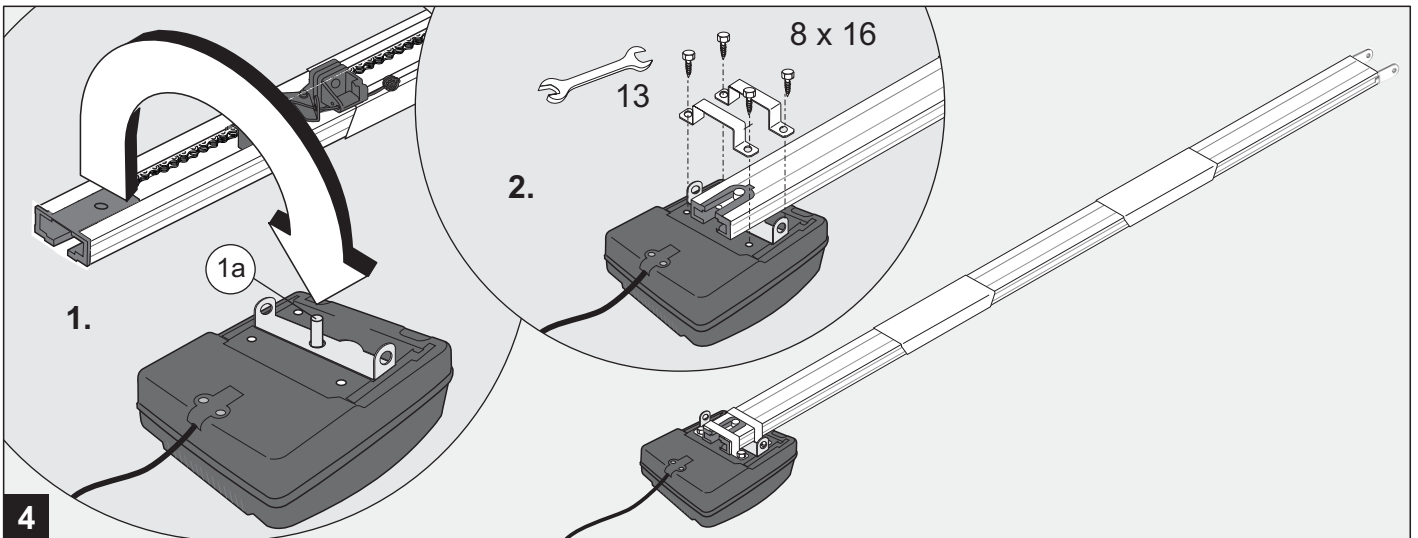
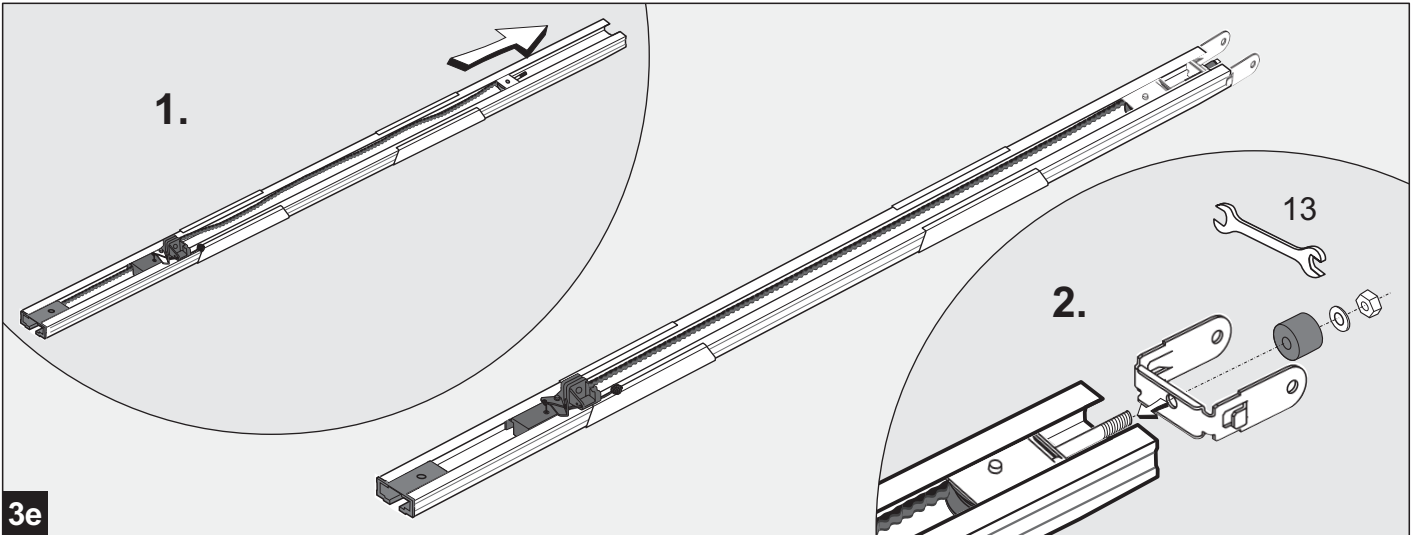
2

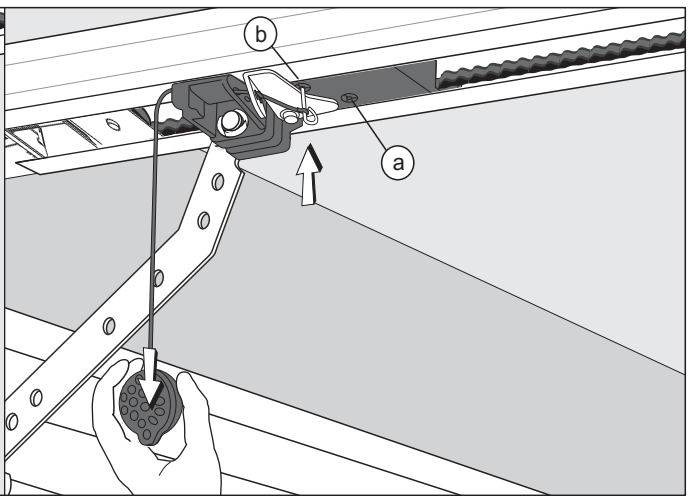
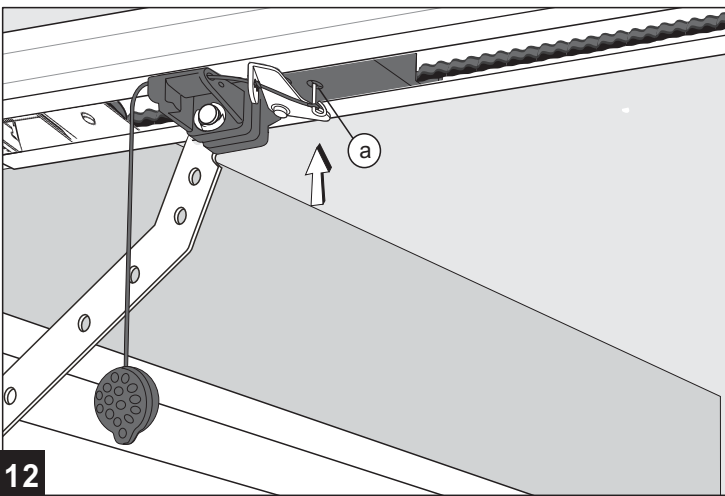
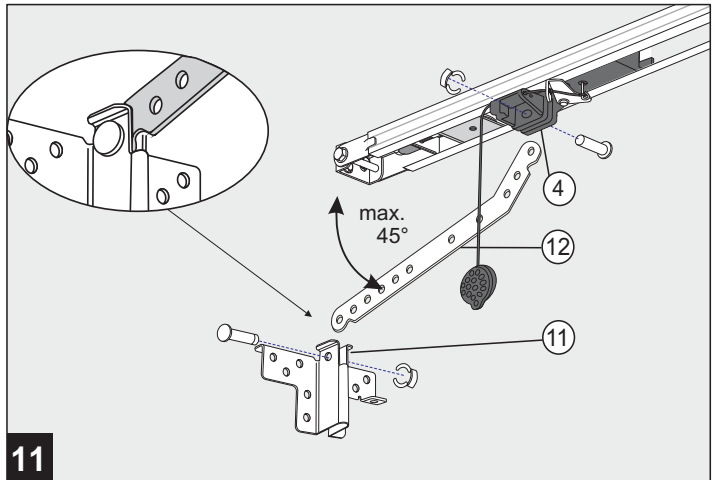
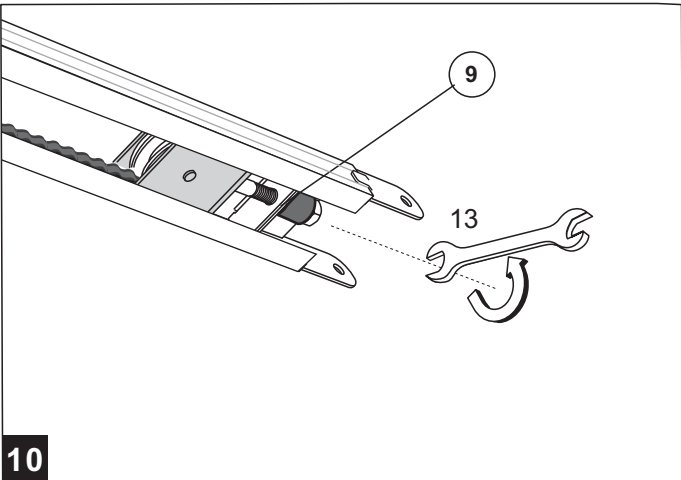
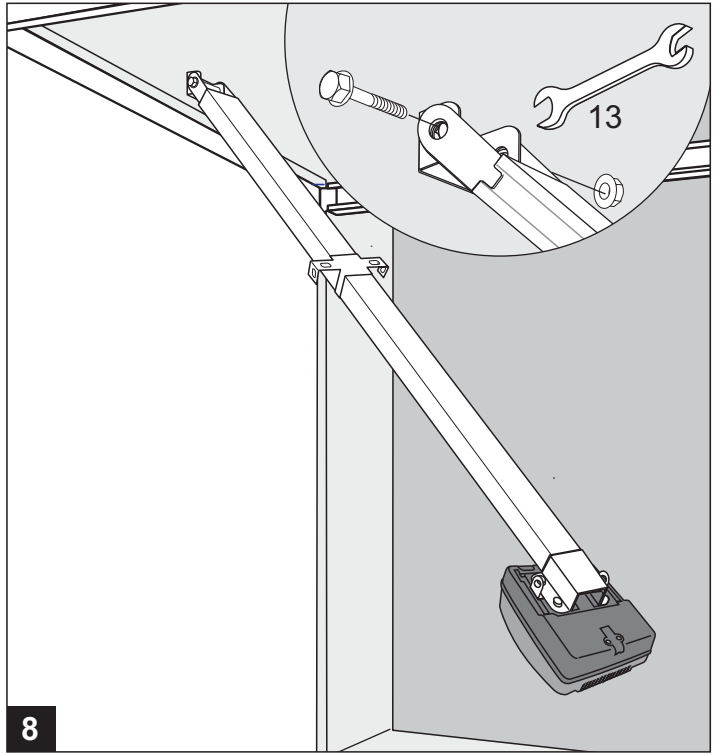
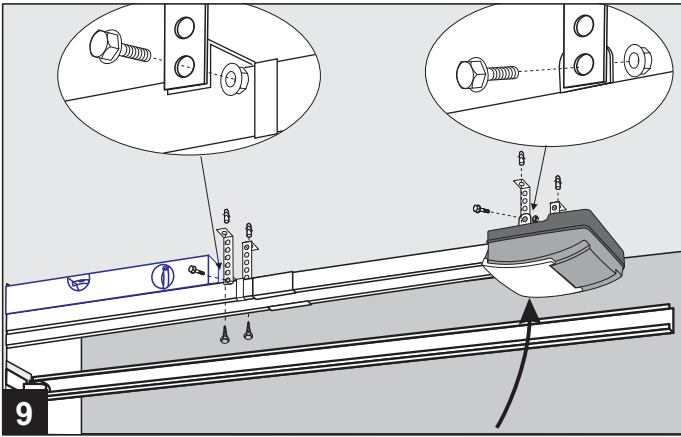
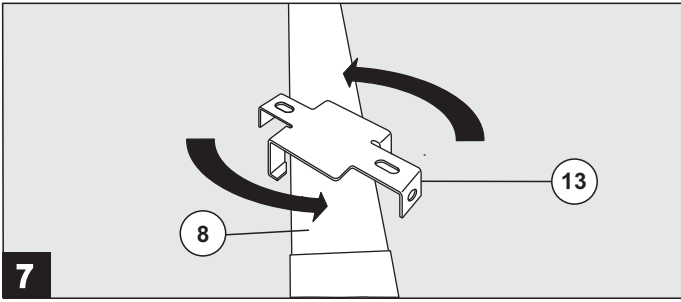


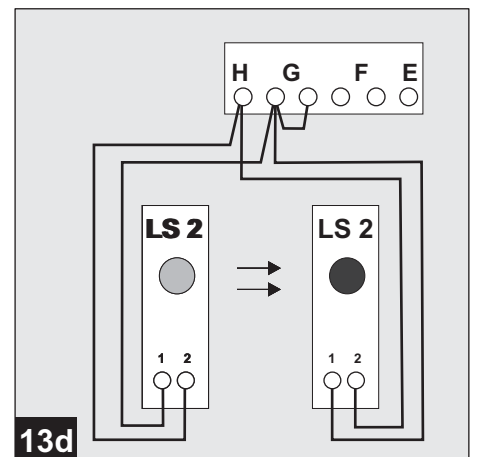
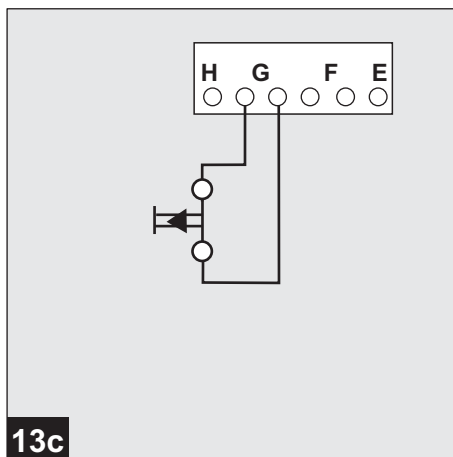
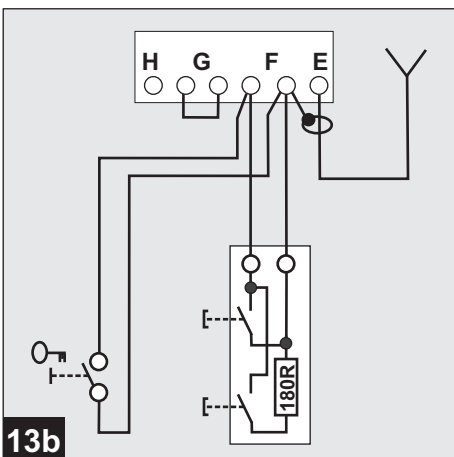
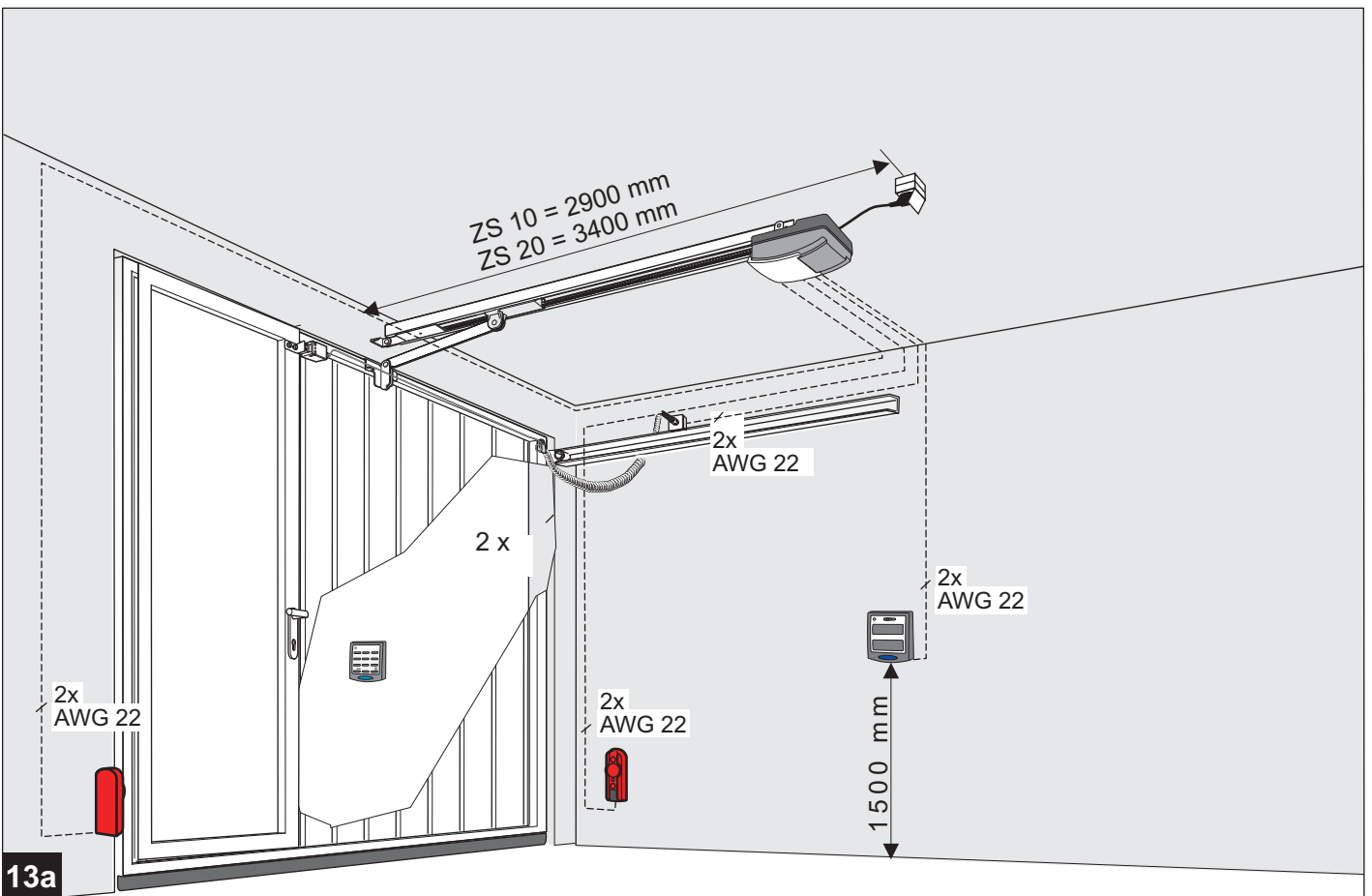
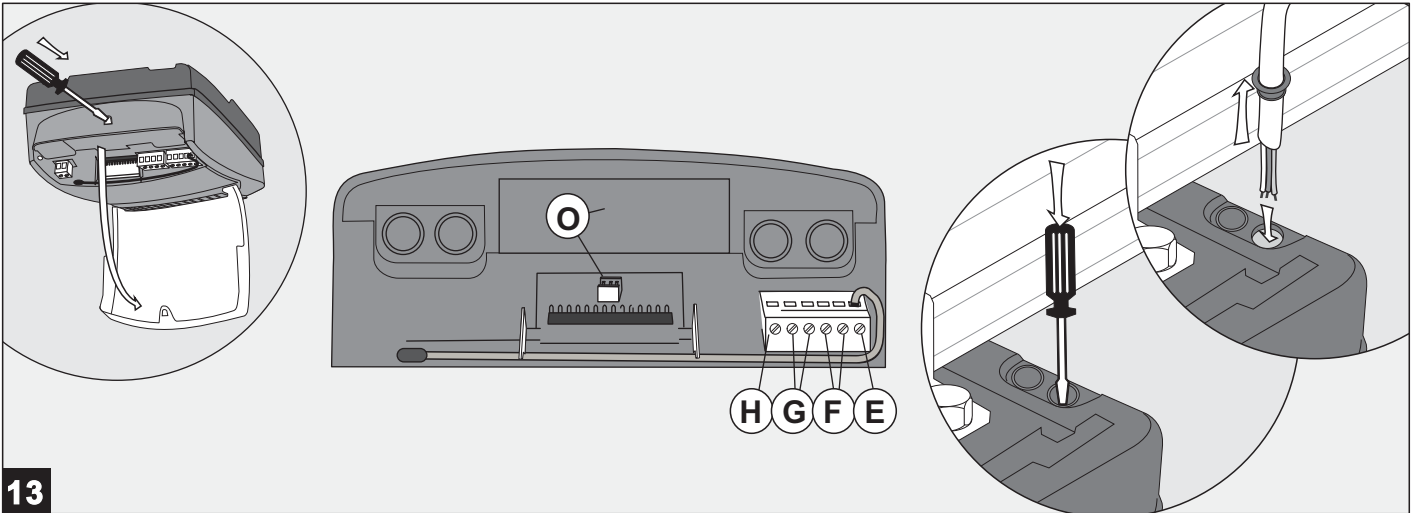
1

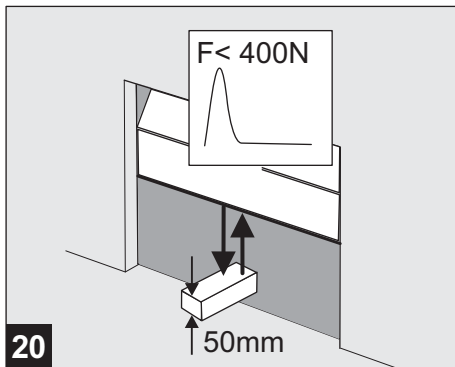
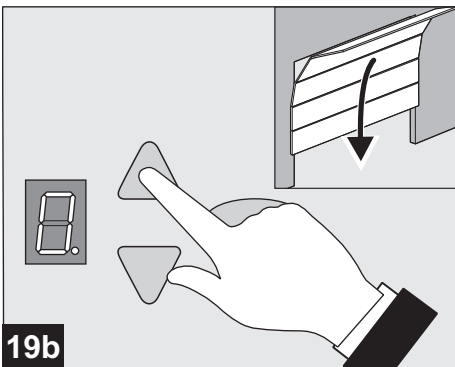
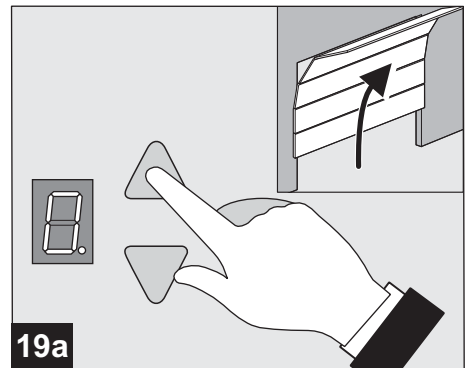
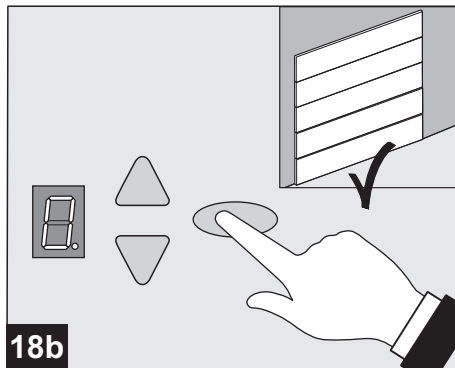
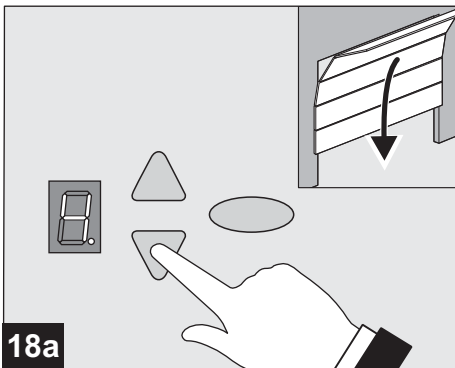
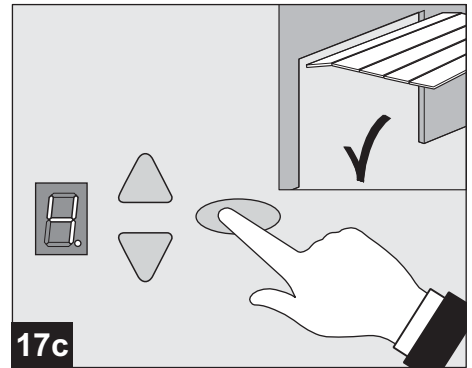
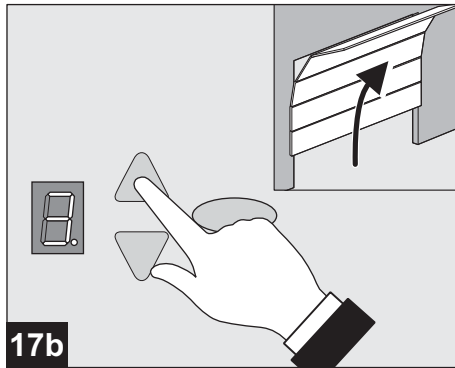
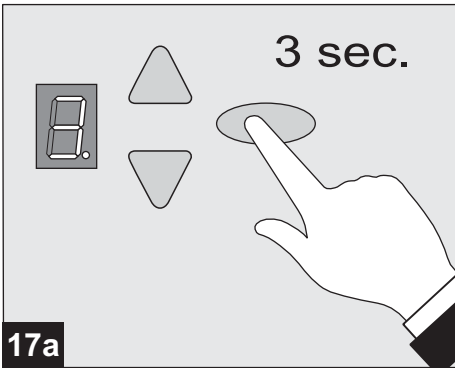
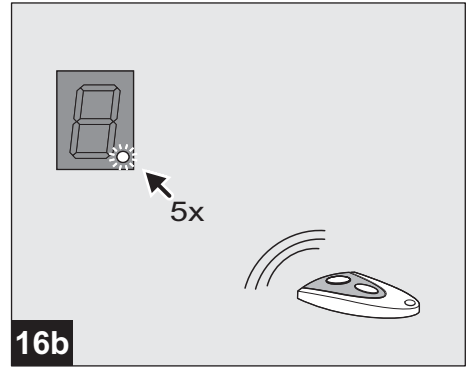
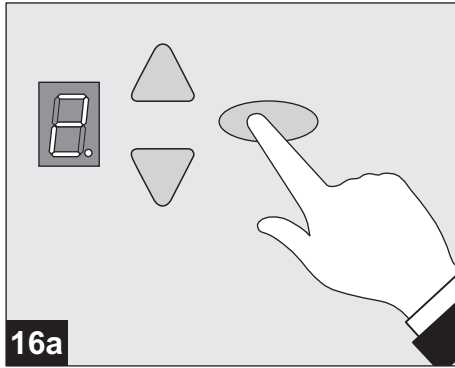
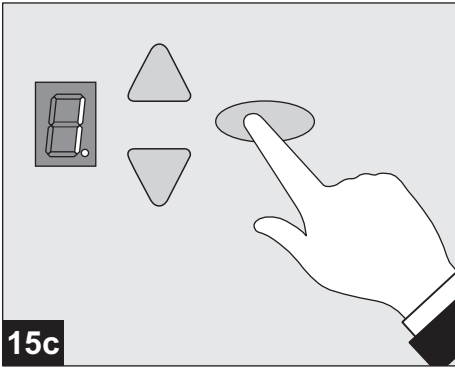
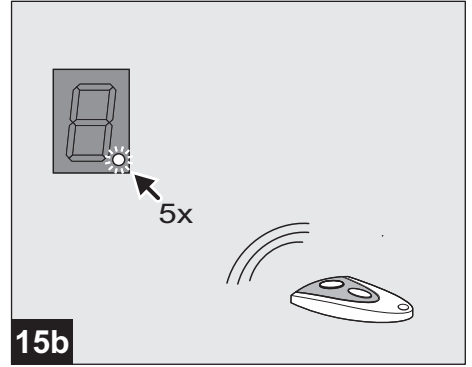
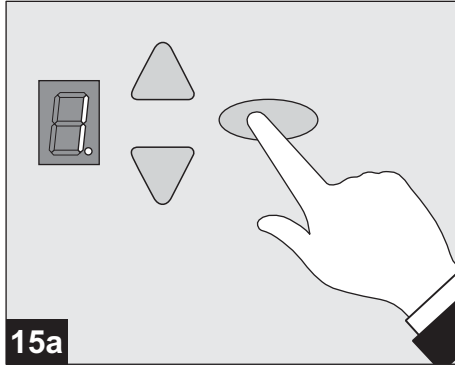
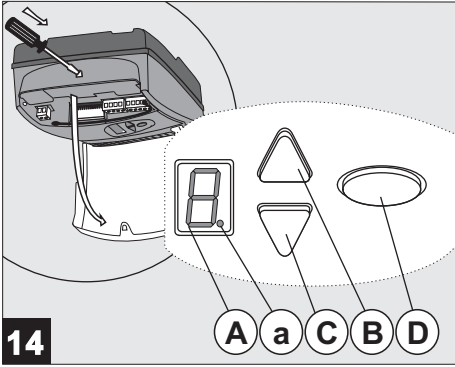


3a









# Garage door operator

## DC 650 T / DC 800 T

### Contents

#### • General Information

- Safety
- Explanation of the symbols
- Working safety
- Dangers that may emanate from the product
- Spare parts
- Changes to the product
- Dismantling
- Disposal
- Data plate
- Packaging
- Technical data

#### • Installing Instructions

#### • Operating Instructions

#### • Maintenance and Inspection

#### • Trouble-shooting Guide

#### • Diagnostic Display

#### • Warranty terms

#### • Inspection Log Book

- Inspection Log Book for the Door System
- Checklist for the Door System
- Proof of Inspection and Maintenance of the Door System
- Declaration of Conformity and Incorporation

### • General Information

#### Safety

Before commencing any work on the product, carefully read through the operating instructions from start to finish, in particular the section entitled "Safety" and the related safety advice. It is important for you to have understood what you have read. This product could prove hazardous if not used properly as directed or in accordance with the regulations. Any damage occurring as a result of non-compliance with these instructions shall render the manufacturer's liability null and void.

#### • Explanation of the symbols



WARNING: imminent danger

This symbol indicates that instructions are being given which, if not observed, could lead to malfunctions and/or failure of the operator.



WARNING! Danger by electric current  
The works may only be executed by an electrician.



This symbol indicates that instructions are being given which, if not observed, could lead to serious injury.



Reference to text and figure

#### • Working safety

By complying with the safety advice and information provided in these Operating Instructions, injury to persons and damage to property whilst working on and with the product can be avoided.

Failure to observe the safety advice and information provided in these Operating Instructions as well as the accident prevention and general safety requirements relevant to the field of application shall exempt the manufacturer or its authorized representatives from all liability and shall render any damage claims null and void.

#### • Hazards that may emanate from the product

The product has been subjected to a risk assessment. The design and execution of the product based on this corresponds to state-of-the-art technology.

When used properly as intended, the product is safe and reliable to operate.

Nevertheless, a residual risk will always remain!

The product runs on a high electrical voltage. Before commencing any work on electrical systems, please observe the following:

1. Disconnect from the power supply
2. Safeguard to prevent a power restart
3. Check that the electricity supply is cut off.

#### • Spare parts

Only use genuine spare parts of the manufacturer.



Wrong or faulty spare parts can cause damage, malfunctions or even a total failure of the product.

#### • Changes and modifications to the product

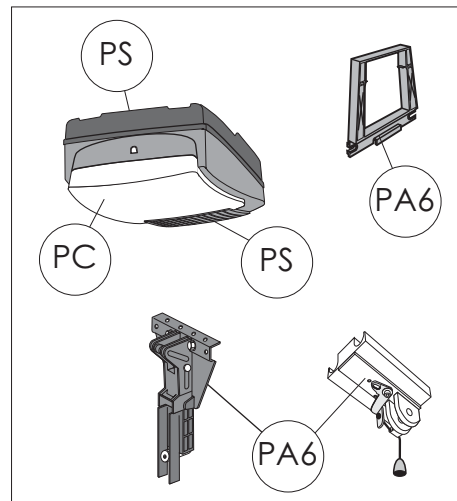
In order to prevent hazards and ensure optimum performance, no changes, modifications or conversions may be made to the product that have not been expressly approved by the manufacturer.

#### • Dismantling

Dismantling takes place in reverse sequence to the Installation Instructions 13 - 1.

#### • Disposal

Observe the corresponding country-specific regulations.



#### • Data plate

The data plate is located under the control panel cover. Observe the specified power rating.

#### • Packaging

Always dispose of the packaging in an environmentally-friendly manner and in accordance with the local regulations on disposal.

#### • Technical Data

Operator type:	<b>DC 650 T / DC 800 T</b>
Control:	FUTURE III C L
Power rating normal:	195N / 240N
Power rating max:	650N / 800N
Connection values:	230V / 50Hz
Power input:	
stand-by modus:	4W
max. operation:	160W / 200W
Short-term operation:	2 Min.
Lighting:	LED 0.4W
Option:	1.6W

Safety category according to EN 13849-1:

Input STOP A:	cat 2 / PLC
Input STOP B:	cat 2 / PLC
internal force limit:	cat 2 / PLC

Temperature range: -20°C - +60°C  
IP22

Manufacturer: Novoferm tormatic GmbH  
Oberste-Wilms-Str. 15a  
D-44309 Dortmund

## • Installation Instructions

### Please read these instructions carefully prior to installation!

Installation should only be carried out by persons qualified to do so!

Incorrect installation can put the safety of persons at risk!

In case of improper installation, the manufacturer's guarantee becomes void.

### Preparing for installation

- In order to allow mains connection, a socket must be available on site - the supplied mains connecting cable has a length of 80 cm.
- Check the stability of the door. Retighten the screws and nuts on the door.
- Check if the door is running smoothly. Lubricate shafts and bearings. Check the tension of the springs and if necessary re-adjust.
- Establish the door's highest point of travel (see figure 6).
- Close the door and disable any existing locks out of operation, if necessary dismantle.



Parts of latching devices, which could form pinch or shear points, have to be dismantled.

- For garages without a second entrance, an emergency release is required (accessory).
- If a wicket pass door is included, fit the wicket door contact.
- Insert the light bulb into the operator and fasten the lamp cover with 2 screws 4.2 x 50.

### 0 The following tools are required

- Drilling machine with
  - 10 mm masonry drill
  - 4 mm metal drill
- Metal saw
- Spanner, sizes 10, 13 mm
- Slotted screwdriver, width 3 mm
- Phillips screwdriver, size 2 x 100
- Spirit level

**Attention:** Check the supplied screws and wall plugs prior to use to ensure that these are suitable for the structural conditions on site.

### 1 Supply package = complete set

Items 2 - 9 are pre-assembled

- Operator head including LED-module
- Driving pinion
- Track, operator side
- Carriage
- Toothed belt or chain
- Deflection roller
- Connector
- Track, door side
- Tensioner
- Wall bracket
- Door connector attachment
- Linking bar
- Central support
- Bag of screws
- Hand transmitter
- Support straps
- Telescopic fitting for sectional doors (accessory)

### 2 Overview

### 3 Track

Assemble the track as shown in the images 3a-3b.

### 4 Fastening the track to operator head

Slot track (as illustrated) with chain sprocket (2) onto the operator shaft (1a) and screw down with the 4 self-tapping screws.

### 5 Fitting the connector attachment

**5a** The enclosed door connector attachment is suitable for all Novoferm up-and-over doors and Novoferm ISO20 sectional doors. Position door connector attachment (11) centrally on the top edge of the door leaf. Mark fixing holes and drill using 4 mm metal drill (max. Drilling depth 10 mm) or use the existing drill holes. Screw on attachment using enclosed self-tapping screws 6.3 x 16 (4 - 6 screws up-and-over door, 6 screws - ISO20).

**5b** For other sectional doors, use telescopic fitting (17) (accessory).

### 6 Attaching the wall bracket

In order to ensure that the door can run freely underneath the track, distance "x" must be greater than 20 mm. Choose distance "x" so that the angle of the linking bar does not exceed 45° (see figure 11). Mark the door's highest point of travel "a" plus distance "x" on the lintel.

Hold wall fastening (10) at the total height ("a" + "x") vertically over the door connector attachment drill, drill holes for wall plugs and screw the wall bracket onto the wall.

### 7 Suspending the boom from the ceiling

Attach central support (13) to track (8) in front of the connector (7).

### 8 Support straps

Positioning the prefitted operator at an angle to the door, screw to wall bracket (10). Lift up operator, making sure that it cannot fall down, and align in such a way that the track runs horizontal and parallel between the door tracks.

**9** Establish the length of the support straps for the operator head and the central support. If necessary, shorten using a saw, and then screw in place.

**Note:** Before starting any drilling, cover over track and operator head to protect them from drilling dust. Mark fixing points on the ceiling, drill 10 mm holes for plugs and screw on support straps.

**10** If the toothed belt or chain appear to be too slack, slight retensioning may be required. It may be necessary to take up the slack by adjusting the support straps.

### 11 Connecting the door connector attachment to the carriage

Place linking bar (12) between carriage (4) and the door connector attachment (11) and connect at both ends with the bolts. Provide bolts with security clips. Attach security clips to bolts.

### 12 Disengaging the carriage

In order to carry out further work, it may be necessary to disconnect the operator from the door by pulling the pull cord on carriage (4) and move the door manually.

**Note:** If the door is to be operated manually for a longer period of time, then the locking pin must be removed from parking position (a) on the left and with the pull cord in locking position (b).

In order to relock, return the locking pin into the

parking position (a) on the left and restore the connection between the operator and the door. On the next movement, the carriage automatically re-engages.

### 13 Aligning the aerial / Connecting plan

#### Note:



It is essential to pull out the mains plug before opening the cover!  
Do not connect any live leads, only connect potential-free buttons and potential-free relay outputs. Finally, replace the cover and screw down.

Before using the operator for the first time, it must be tested to make sure that it is working properly and safely (see section on Maintenance/Checks).



**Connecting the aerial**  
When using an external aerial, the shielding must be assigned to the adjacent terminal (F, on right) 13b.

F. Connection for external impulse generator (accessory, e. g. key switch or digital coder) 13b  
G. Input STOPA

A break at this input end causes the operator to stop or prevents it from starting up.  
Connection for wicket door contact 13c (accessory)

H. Input STOPB  
Connection for 2-wire photocell EXTRA626 13d (accessory).

O. LED-module

### • Impulse generators and external safety devices

In case of increased need for personal safety, in addition to the operator's internal force limit, we recommend installing a one-way photocell. Further information on our range of accessories can be found in our sales literature. Consult your specialist dealer.

### • Warning sticker



Place the sticker clearly visible on the inner surface of the door.

### • Dismantling the operator

- Pull out the mains plug and disconnect all existing terminals.
- Disconnect door and operator. Fix door.
- Proceed according to points 3 to 13 of the installation Instructions but in reverse sequence.



## • Programming the operator

### 14 Control elements

The controls for programming the door operator are protected by a transparent cover. The transparent cover can be opened with a screwdriver. After the operator has been programmed, the transparent cover must be closed again.

- A. Numerical display shows the menu stage as well as the selected value.
- a. Point display, lights up to indicate "ready for operation" and flashes on the hand transmitter code learning completion.
- B. Button  $\Delta$  during the setting / adjustment phase serves as an "up" button and outside the menu as a start button.
- C. Button  $\nabla$  during the setting / adjustment phase serves as a "down" button.
- D. Button  $\circ$  is used to call up the setting/adjustment menu, to change the menu stages and to store the settings.

The programming of the control unit is menu-driven. By pressing button  $\circ$ , the menu guide is called up. The numbers displayed indicate the menu stage. After approx. 2 seconds, the display flashes and the setting can be altered via buttons  $\Delta$  and  $\nabla$ . The selected setting is stored with button  $\circ$ . And the programme jumps automatically to the next menu stage. By repeatedly pressing button  $\circ$ , menu stages can be skipped. To quit the menu, press button  $\circ$  until "0" is shown again. Outside the menu, button  $\Delta$  can be used to generate a start impulse.

#### Before programming

- Allow door to engage into the carriage.
- Pull out the mains plug. Point display (a) lights up.
- Make sure that the aerial is correctly positioned (see figure 13).
- Observe the hand transmitter instructions.

### 15 Menu stage 1: Programming the start function for the hand transmitter

Briefly press button  $\circ$ . "1" is displayed. As soon as the display flashes, press and keep pressed for approx. 1 second the button of the hand transmitter, with which you later wish to start the operator. As soon as the code has been read, the red point display (a) flashes four times before quitting. Figure 0 will be displayed. Menu finished. Further hand transmitters (up to a maximum of 30) can be programmed.

### 16 Menu stage 2: Programming the light function for the hand transmitter

Press key  $\circ$  briefly and figure 1 will be displayed. Press key  $\circ$  once again and figure 2 will be displayed.

Press the second button at the transmitter with which the 4-min light is to be switched on. As soon as the code has been read in, the red point display (a) will flash four times to acknowledge the entry. Figure 0 will be displayed. Menu finished.

#### Deleting all the hand transmitters programmed for the operator:

Plug in the operator's main plug while pressing button  $\circ$ .

### 17 Menu stage 3: Setting/adjusting the top end-of-travel position

Keep button  $\circ$  pressed for 3 seconds. Number 3 appears in the display 8 a.

Wait a short while until the 3 starts flashing.

Press button  $\Delta$  and make sure that the door travels in the OPEN direction.

If the door closes in the wrong direction, after having pressed  $\Delta$ , keep button  $\circ$  pressed for another 3 seconds. "3" flashes briefly. The

travelling direction is altered.

Now travel by pressing button  $\Delta$  into the desired door end position OPEN 17b.

By pressing button  $\nabla$ , the position can be corrected into direction CLOSE.

Once the desired OPEN end-of-travel position has been reached, press button  $\circ$ . The operator stores the OPEN end-of-travel position and "4" appears in the display.

### 18 Menu stage 4: Setting/adjusting the bottom end-of-travel position

Wait a short while until "4" starts flashing.

Press button  $\nabla$ . The operator causes the door to travel in the CLOSE direction as long as the button is pressed. The position can be altered to the OPEN direction via button  $\Delta$ .

Once the desired CLOSE end-of-travel position has been reached, press button  $\circ$ . The operator stores the CLOSE end-of-travel position and "0" appears in the display.

### 19 Force-learning cycle

We recommend setting the suitable door type in menu stage 8 prior to the force-learning cycle.



During this opening and closing cycle, the operator learns the force required to open and close the door. **A force limit does not apply!** The cycles must not be interrupted. During these cycles must not be interrupted. During these cycles "0" appears in the display.

- Press button  $\Delta$  The operator causes the door to open until the top end-of-travel position has been reached.
- Now press button  $\Delta$  again. The operator causes the door to close until the bottom end-of-travel position has been reached.
- After approx. 2 seconds, "0" disappears.

**Caution!** If the force setting is too high, persons may be placed at risk of injury. The factory setting is 4!

### 20 Checking the force limit facility

- Place an obstruction (e. g. operator's cardboard box) underneath the doors's closing edge.
- Starting from the OPEN end-of-travel position, actuate the door to close.
- The door travels towards the obstruction, stops and travels back to the top end-of-travel position.

If the door springs have been changed or altered, then the force learning cycle must be repeated: proceed to menu stage 5 and keep button  $\circ$  pressed for 3 seconds. "0" appears in the display. Then complete the force learning cycle as explained under point 19.

## • Special settings

In order to access the menus for the special settings, keep key  $\circ$  pressed for 3 sec until figure 3 is displayed. Press key  $\circ$  to by-pass menu step 3. Now keep key  $\circ$  pressed for 3 sec until figure 5 is displayed. Press key  $\circ$  to by-pass menu steps.

### Menu stage 5: The opening force limit

After approx. 2 seconds, the display flashes showing the set value of the opening force limit. The force limit

setting can be increased or decreased via buttons  $\Delta$  and  $\nabla$ . After setting the value, press button  $\circ$ . The display shows "6".

### Menu stage 6: The closing force limit

After approx. 2 seconds, the display starts flashing, and the set value for the closing force limit is displayed.

The force limit setting can be increased or decreased via buttons  $\Delta$  and  $\nabla$ .

After setting the value, press button  $\circ$ . "0" appears in the display.

Finally, check the force settings, and, if necessary, repeat the setting procedure.

The maximum force at the main closing edge must not exceed 150 N!

### Menu stage 7: Light phases

Keep button  $\circ$  pressed again for 3 seconds until "7" appears in the display.

Menu value	Light phase	Warning phase	Flashing function
0	60 s	-	-
1	120 s	-	-
2	240 s	-	-
3	0 s	0 s	yes
4	0 s	3 s	-
5	0 s	0 s	-
6	0 s	3 s	yes
7	90 s	3 s	-
8	90 s	3 s	yes
9	0 s	10 s	yes

When the advance warning time is set, the light will flash before the operator starts running.

The factory setting is 1.

### Menu stage 8: Door fitting

Press button  $\circ$ . "8" appears in the display.

Menu value	Start open	Stop open	Start closed	Stop closed
0	0	0	0	0
1	15	0	15	0
2	0	15	0	40
3	15	15	15	35
4	25	30	25	40
5	15	15	15	55
6	15	15	15	15
7	35	35	65	45
8	55	15	15	100
9			only soft run	

These values correspond to the "soft" runs measured in cm at the carriage.

#### Important note:

The factory setting of 4 must be adhered. The softruns may only be alerted on the express permission of the door manufacturer.

Press button  $\circ$ . "0" appears in the display.

---

## Terms of the Guarantee

Dear customer,

The product you have purchased has undergone extensive testing throughout its manufacture to ensure that it meets high standards in terms of both quality and functionality.

If during the guarantee period the product becomes unusable in whole or in part due to material or manufacturing defects, we undertake, at our discretion, to rectify the defects by repairing or replacing the faulty product free of charge or granting a reasonable price reduction.

This undertaking does not cover defects occurring as a result of

- incorrect installation or connection
- faulty putting into service and operation
- improper or non-designated use or a lack of maintenance
- repair by non-qualified persons
- normal wear and tear or

unauthorized modifications

- use of non-original components or removal of the data plate
- mechanical damage (due to being dropped or having sustained a serious impact)
- Acts of God und exceptional environmental conditions (lightening strike, flooding etc.)
- negligent or wanton destruction

The guarantee does not cover components that are subject to wear and tear or items that require frequent replacement (e.g. light bulbs, batteries, fuses).

Prerequisites for claiming under the guarantee

This guarantee is granted in addition to the sales contract concluded with your dealer and does not affect your statutory rights arising out of that sales contract.

The guarantee only covers defects occurring in the product that forms the subject of the contract. We

shall not assume responsibility for follow-up costs resulting from installation and dismantling, checking of parts, freight costs and postal charges nor for claims for compensation and lost profit.

At our request the parts involved shall be returned to us free of charge and in the case of replacement automatically become our property.

We grant the following guarantee:

2 years on the control unit's electronic components

2 years on remote controls and accessories

The guarantee comes into force on the day of delivery. In order to claim under the guarantee, you must furnish proof of purchase. Making a claim under the guarantee does not extend the guarantee period.

Repaired or replaced parts are guaranteed for 6 months, however, at least for the original guarantee period.

## • Operating Instructions

These Operating Instructions describe how to use the product properly and safely. The safety advice and information as well as the accident prevention and general safety regulations for the field of application must be complied with.



**All persons using the gate system must be shown how to operate it properly and safely.**

**Keep hand transmitters out of the reach of children.**



**When the operator is being used, the opening and closing phases must be monitored. It must be ensured that neither persons nor objects are located within the gate's range of travel.**

### • Normal operation (0)

(factory-set operating mode)

The garage door operator can be actuated by an impulse generator such as hand transmitter, key switch etc. It is only necessary to generate a short, sharp impulse.

### Functional sequence

#### First impulse:

Operator starts up and causes the door to travel to set open or closed travel limits.

#### Impulse generated while door is moving:

The door stops.

#### Repeated impulse:

Door continues to move but in opposite direction .

### • Quick release

During adjustments, in the event of a power failure or malfunctions, the door can be disengaged from the operator by actuating the pull cord on the carriage and then be operated manually.

If the door is to be operated manually over a longer period of time, then the existing locking pin must be inserted (see figure 12). The door latches put out of service for power operation must be refitted, otherwise the door is not latched in the the closed position.

In order to restore power operation, return the locking pin to the parking position (a) and put the latches out of service.

After an impulse has been generated, the door automatically latches with the door operator.

### • Internal safety device

If the closing door encounters an obstruction, the operator stops and causes the door to open to its top end-of-travel position in order to clear the obstruction. During the last 2 seconds of the closing cycle, the door only opens slightly, this being sufficient to clear the obstruction but otherwise preventing anyone from taking a look into the garage.

If the opening door encounters an obstruction, the operator stops immediately and reverses the travelling direction for approx. one second.

### • External safety device

Connection plan ( figure 13)

#### Wicket door contact STOPA

An open wicket door stops the operator immediately or prevents it from starting up.

#### Light barrier (STOP B)

An interruption of the light barrier causes a stopping and a reversal during the closing cycle. An

interruption of the light barrier during the opening cycle makes no difference.

### • Lighting

The lighting switches on automatically whenever a start impulse is generated and switches off again after the set time phase (factory setting approx. 90 seconds). Changing the battery: slide back the battery compartment cover on the handtransmitter. Take out the battery. Insert a new battery. Be sure to pole correctly! Slide the cover back on.

### • Signal light

If a signal light for signalling the opening and closing phases is installed, this flashes along with the lamp in the operator as soon as a start impulse is generated. The operator starts with a time delay in accordance with the set warning phase (see menu stage 7).

### • Hand transmitter

Programming further hand transmitters:

See menu stages 1 and 2 (figure 15 and 16).

Changing the battery: Check the polarity is correct!

Take out the battery. Insert a new battery. Be sure to pole correctly! Slide the cover back on.

**Empty batteries must be disposed of separately (toxic waste)!**

## • Maintenance / Checks



**The door system must be inspected and tested by a specialist company prior to initial operation and at least once a year thereafter.**

### Monitoring the force limit

The operator control unit features a dual-processor safety system to monitor the force limit.

The integral force cut-out is automatically tested at each travel limit.

The door system must be checked prior to initial operation and at least once a year thereafter. In the process, the force limiting device (figure 21) must be tested!



**Caution!** If the closing force is set too high, persons can be placed at risk of injury or property could sustain damage.

The force limit for the opening cycle can be adjusted in menu stage 5, the force limit for the closing cycle can be adjusted in menu stage 6.

### • Cycle counter

The cycle counters stores the number of opening or closing cycles performed by the operator.

In order to read out the meter, keep the button ▽ pressed for 3 seconds until a number is displayed. The display throws out the values beginning from the highest decimal place down to the lowest one after another. In the end, a horizontal line is displayed. Example: 3456 cycles, 3 4 5 6 -

## • Trouble-shooting

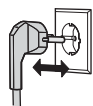
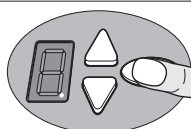
**Important note: When working on the operator, always pull out the mains plug beforehand!!!**

Fault/Malfunction	Possible cause	Remedy
Door does not fully close/open	Door mechanics have changed Set closing/opening force too weak. End-of-travel positions incorrectly set	Have door checked. Change force setting (menu stages 5 and 6) Reset end-of-travel positions (menu stages 3 and 4)
Door presses into the end-of-travel positions	Optimum setting of end-of-travel positions has not been achieved	Reset end-of-travel positions (menu stages 3 and 4)
After closing, door opens again to produce a slight gap	Door blocks just before CLOSE position	Remove obstruction or reset CLOSE end-of-travel position (menu stage 4)
Door does not respond to impulse from hand transmitter but does respond to push-button or other impulse generators	Flat battery in hand transmitter Aerial not plugged in/aligned No hand transmitter programmed	Replace battery in hand transmitter Plug in/align aerial Programme hand transmitter (menu stage 1)
Door does not respond to impulse from hand transmitter or of other impulse generators	See diagnostic display	See diagnostic display
Insufficient range of hand transmitter	Flat battery in the hand transmitter Aerial not plugged in/aligned On-site screening of receiving signal	Replace battery in hand transmitter Plug in/align aerial Connect external aerial (accessory)

## • Diagnostic display

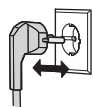
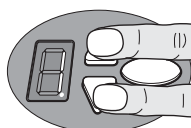
During operation, the display provides diagnostic information on any possible faults / malfunctions

Number	State	Diagnosis / Remedy
0	Operator starts up and "0" goes out.	Operator receives a start impulse at the START input or via a receiver, normal operation.
0	Top end-of-travel position Open has been reached.	
0	Bottom end-of-travel position Closed has been reached.	
0	Gate end position has not been reached.	
0	0 displayed during the next opening and closing cycle and then goes out.	Operator is carrying out a learning cycle for the force limit. <b>Caution:</b> During these travel cycles the force is not monitored!
0	0 continues to be displayed.	Force-learning cycle not completed. Must be repeated. Too much pressure in the gate's end-of-travel positions. Gate setting required.
0	Door neither opens nor closes.	STOP A connection is interrupted. External safety device has been activated (e.g. wicket door).
0	Door no longer closes.	STOP B connection is interrupted. External safety device has been activated (e.g. photocell).
0	Gate setting und learning cycle not correctly finalized.	Repeat gate setting in menus 3 & 4 and complete force-learning cycle subsequently.
0	Permanent impulse signal at the start input.	Door no longer accepts a start impulse. External impulse generator emits a permanent impulse signal (e.g. button is jammed)
0	An error occurred in setting the operator.	Travel path too long. Repeat setting procedure (menu stages 3 and 4).
0	Fault during learning cycle.	Repeat position learning cycle. (menu stages 3 and 4) Reduce force when approaching the end-of-travel positions.
0	Door neither opens nor closes.	Fault during self-test. Disconnect power supply.
0	Motor has come to a standstill.	Motor does not rotate. Call in a specialist company.
0	Electronic brake activated. Garage light remains on.	Pull drive from top end-of-travel position. Check gate and springs. Set top end-of-travel position lower.
0	Vacation lock activated, gate does not open.	Slide switch at SafeControl / Signal 112 confirmed. Reset required.



### Deleting radio codes

Press oval key. Keep key pressed while inserting power plug.  
All radio codes stored in the hand-held transmitter are now deleted.



### Restoring factory setting

Press Open and Close keys at the same time. Keep keys pressed for approx. 3 sec while inserting power plug.  
The factory setting has been restored.



# Inspection and test log book for the door system

Owner / operator of the system: \_\_\_\_\_

Location of door system: \_\_\_\_\_

Operator data:  
 Operator type: \_\_\_\_\_ Date of manufacture: \_\_\_\_\_  
 Manufacturer: \_\_\_\_\_ Operating mode: \_\_\_\_\_

Door data:  
 Type: \_\_\_\_\_ Year of construction: \_\_\_\_\_  
 Serial no.: \_\_\_\_\_ Leaf weight: \_\_\_\_\_  
 Door dimensions: \_\_\_\_\_

Installation and initial operation  
 Company, installer: \_\_\_\_\_ Name, installer: \_\_\_\_\_  
 Initial operation on: \_\_\_\_\_ Signature: \_\_\_\_\_

Other details  
 Subsequent alterations  
 \_\_\_\_\_  
 \_\_\_\_\_  
 \_\_\_\_\_

## Testing of door system

**General information**  
 When being put into service power-operated doors must be inspected and maintained by correspondingly qualified persons (persons with suitable training and qualifications based on knowledge and experience) at intervals as specified in the manufacturer's maintenance instructions and, if necessary, also in accordance with any special national regulations (e.g. BGR 232 "Guidelines for Power-operated Windows, Doors and Gates").

All inspections and maintenance carried out must be documented in the inspection log book provided. It must be kept safe by the owner-operator, together with the documentation on the door system, throughout the operator's entire service life and must be filled out in full and handed over to the owner-operator by the installer at the latest at the time of putting into service. (We also recommend this for manually operated doors.)  
 It is absolutely imperative that the guidelines provided in the documentation accompanying the door system (Installation, Operating and Maintenance Instructions etc.) are adhered to.  
 The manufacturer's guarantee becomes null and void in the event that inspection / maintenance has not been properly carried out.  
 Alterations to the door system (in as far as permitted) must also be documented.  
**Caution: An inspection is not the same as maintenance!**

Retain these installation, operating and maintenance instructions for the full duration of the operator's service life!



# Check list of door system (Document the equipment present at the time of initial operation by ticking off)

Equipment	present	Features to be tested	Remark
	applicable		
<b>1.0 Door</b>			
1.1 Manual operation of the door	<input type="checkbox"/>	Smooth running	<input type="checkbox"/>
1.2 Fastenings / connections	<input type="checkbox"/>	State / Seat	<input type="checkbox"/>
1.3 Pivots / joints	<input type="checkbox"/>	State / Lubrication	<input type="checkbox"/>
1.4 Track rollers / track roller holders	<input type="checkbox"/>	State / Lubrication	<input type="checkbox"/>
1.5 Seals / sliding contact strips	<input type="checkbox"/>	State / Seat	<input type="checkbox"/>
1.6 Door frame / Door guide	<input type="checkbox"/>	Alignment / Fastening	<input type="checkbox"/>
1.7 Door leaf	<input type="checkbox"/>	Alignment / State	<input type="checkbox"/>
<b>2.0 Weight counterbalance / safe opening</b>			
2.1 Springs	<input type="checkbox"/>	State / Seat / Setting	<input type="checkbox"/>
2.1.1 Steel tape	<input type="checkbox"/>	State	<input type="checkbox"/>
2.1.2 Spring safety device	<input type="checkbox"/>	State / Data plate	<input type="checkbox"/>
2.1.3 Safety elements	<input type="checkbox"/>	State / Seat	<input type="checkbox"/>
(spring connector,...)			
2.2 Wire cables	<input type="checkbox"/>	State / Seat	<input type="checkbox"/>
2.2.1 Cable fastening	<input type="checkbox"/>	State / Seat	<input type="checkbox"/>
2.2.2 Cable drums	<input type="checkbox"/>	2 safety windings	<input type="checkbox"/>
2.3 Anti-fall safeguard	<input type="checkbox"/>	State	<input type="checkbox"/>
2.4 Concentricity of T-shaft	<input type="checkbox"/>	State	<input type="checkbox"/>
<b>3.0 Operator / controls</b>			
3.1 Operator / sliding rail / bracket	<input type="checkbox"/>	State / Fastening	<input type="checkbox"/>
3.2 Electrical cables / connections	<input type="checkbox"/>	State	<input type="checkbox"/>
3.3 Emergency release	<input type="checkbox"/>	State / Function	<input type="checkbox"/>
3.4 Control devices,	<input type="checkbox"/>	State / Function	<input type="checkbox"/>
push-button / hand transmitter			
3.5 Limit stop	<input type="checkbox"/>	State / Position	<input type="checkbox"/>
<b>4.0 Safeguarding of crush and shearing zones</b>			
4.1 Force limit	<input type="checkbox"/>	Stops and reverses	<input type="checkbox"/>
4.2 Safeguards to prevent persons from being lifted up by the door	<input type="checkbox"/>	Door leaf stops at 20 kg	<input type="checkbox"/>
4.3 Site conditions	<input type="checkbox"/>	Safety distances	<input type="checkbox"/>
<b>5.0 Other devices</b>			
5.1 Latching / lock	<input type="checkbox"/>	State / Function	<input type="checkbox"/>
5.2 Wicket door	<input type="checkbox"/>	Function / State	<input type="checkbox"/>
5.2.1 Wicket door contact	<input type="checkbox"/>	Function / State	<input type="checkbox"/>
5.2.2 Door closer	<input type="checkbox"/>	Function / State	<input type="checkbox"/>
5.3 Traffic light control	<input type="checkbox"/>	Function / State	<input type="checkbox"/>
5.4 Photocells	<input type="checkbox"/>	Function / State	<input type="checkbox"/>
5.5 Safety edge	<input type="checkbox"/>	Function / State	<input type="checkbox"/>
<b>6.0 Documentation of the operator / owner</b>			
6.1 Data plate / OE marking	<input type="checkbox"/>	complete / readable	<input type="checkbox"/>
6.2 Door system's declaration of conformity	<input type="checkbox"/>	complete / readable	<input type="checkbox"/>
6.3 Installation, Operating and Maintenance Instructions	<input type="checkbox"/>	complete / readable	<input type="checkbox"/>

Retain these installation, operating and maintenance instructions for the full duration of the operator's service life!

## Proof of inspection and maintenance of the door system

Date	Work performed / necessary measures	Test carried out	Defects rectified
		Signature / address of the company	Signature / address of the company
	Initial operation, first testing		

Retain these installation, operating and maintenance instructions for the full duration of the operator's service life!

## Declaration of Conformity and Installation

### Declaration

for the installation of an incomplete machine  
in accordance with the Machinery Directive 2006/42/EC, annex II part 1B

**Novoferm tormatic GmbH**  
**Oberste-Wilms-Str. 15a**  
**D-44309 Dortmund**

hereby declares that the garage door operator

**DC 650 T / DC 800 T**

complies with the Machinery Directive 2006/42/EC and is intended for installing into a door system.

- The following basic safety requirements in accordance with annex I hereto were applied:
  - General principles no. 1

- 1.2.1 Safety and reliability of control systems:

Integrated force limit: kat. 2 / PL C  
 Input STOP A: kat. 2 / PL C  
 Input STOP B: kat. 2 / PL C  
 In doing so, the harmonized standards EN13849-1 were applied.

- The technical documents in accordance with annex VII B were drawn up.

- Conformity is in accordance with the provisions of the EC Construction Products Directive 89/106/EC. For the part "Operating Forces" the corresponding initial tests in cooperation with the recognized testing bodies were performed. In doing so, the harmonized standards EN13241, EN12453 and EN12445 were applied. For detailed information on the tested combinations, see attached table "System Audit tormatic-operators" or www.tormatic.de.

- Conformity is in accordance with the Low-voltage Directive 2006/95/EC
- Conformity is in accordance with the EMC Directive 2004/108/EC

The product may not be put into service until it has been established that the door system complies with the provisions of the Machinery Directive.

Dortmund, 10.04.2012



*U. Theile*  
 Ulrich Theile  
 Head of Development  
 Official Documentation Representative

Retain these installation, operating and maintenance instructions for the full duration of the operator's service life!