



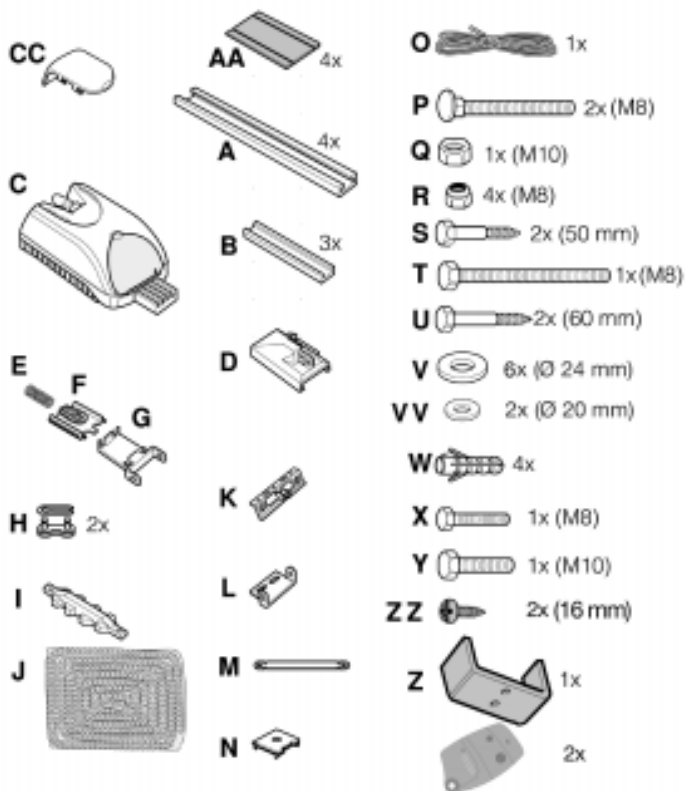
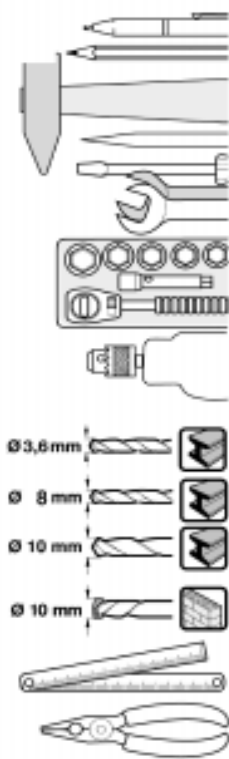
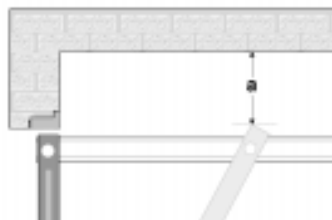
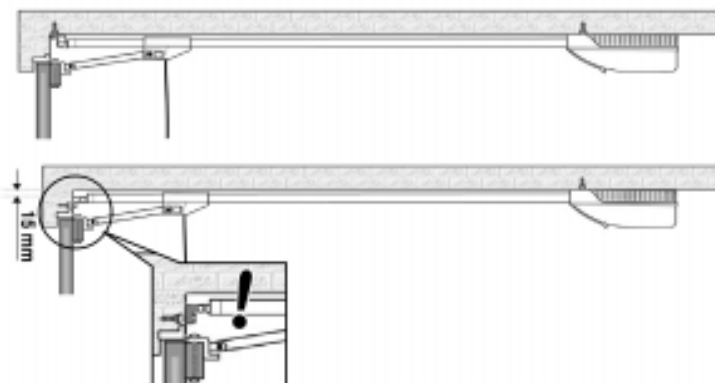
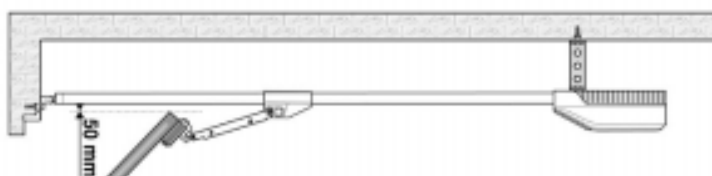
KEASY L[⊕]

1 215 005 / E

KEASY XL[⊕]

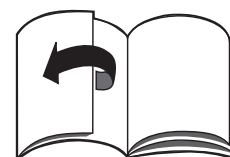
1 215 006 / E



1**2****3****4****5****6**



en	SOMFY garage door opener KEASY L/XL+	3
fr	SOMFY Téléoverture pour porte de garage KEASY L/XL+	20
de	SOMFY-Garagentorantrieb KEASY L/XL+.....	38
it	SOMFY – Automazione per porta di garage KEASY L/XL+	55
pl	SOMFY Mechanizm zdalnego otwierania bramy garażu KEASY L/XL+.....	72
cs	SOMFY pohon garážových vrat KEASY L/XL+	89
hu	SOMFY garázskapuhajtás KEASY L/XL+	106
ro	Somfy Sistem de antrenare pentru porți de garaj KEASY L/XL+.....	123
sl	SOMFY – Pogon za garažna vrata KEASY L/XL+	140
hr	SOMFY – Pogon za garažna vrata KEASY L/XL+	157
el	SOMFY-Αυτοματισμός γκαραζόπορτας KEASY L/XL+	174
tr	SOMFY Garaj kapısı tahrik sistemi KEASY L/XL+.....	192
ru	Привод для гаражных ворот KEASY L/XL+ производства фирмы SOMFY	209
CE	230





SOMFY garage door opener KEASY L/XL+

Contents

Contents	3
Symbols used in this manual	4
Disposal information	4
For your safety	5
Intended use.....	5
Important safety instructions	5
Information for wearers of pacemakers.....	5
Safety devices	5
Installation preparation	6
Overview	6
Technical specifications	6
Application.....	7
Maximum garage door dimensions	7
Lintel and ceiling stability of the garage	7
Existing door mechanism	7
Mains connection	7
Additional safety devices.....	8
Installation instructions	8
Important instructions for safe installation	8
Checking the contents of the packaging	8
Installation situations/examples.....	9
Pre-assembling the garage door opener.....	9
Installation	9
Adjustment instructions	10
Switching on the garage door opener	10
Adjusting/changing the stop positions of the garage door.....	11
Programming the handheld transmitter	12
Checking the obstacle detector	13
Connecting accessories	13
Preparation	13
Light barrier, wicket door contact, safety contact strip	14
Internal, code, key-operated pushbutton.....	14
Warning light	15
24 V output	15
Operating instructions	15
Opening, closing or stopping the garage door	15
Internal emergency release.....	15
Replacing the battery on the handheld transmitter.....	16
Replacing the bulb.....	16
Conducting a regular performance test	16
What happens if the power supply was interrupted?.....	16
Troubleshooting	17
Eliminating faults yourself.....	17
Customer service	18
Accessories	18
Accessories for additional safety	18
Accessories for increased ease of operation	19
Accessories for special installation conditions	19
Manufacturer's declaration	19

Symbols used in this manual



Warning! Important safety instructions.

To ensure personal safety, it is essential to follow these instructions.



Caution! Safety instructions.

Non-observance of this warning may result in injury or damage to property.



Note:

Denotes application tips and important information.



Risk of electric shock!

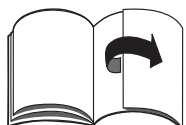
Before doing any work, always pull out the mains plug.



Use in dry rooms only.



Open fold-out pages at front.



Open fold-out pages at back.



Indicates the diagram number on the fold-out pages relevant to an instruction.

- The dot denotes a handling instruction!
 - The dash refers to points which require particular attention.

Disposal information



Please note when replacing an existing door opener:

- Old equipment is not worthless rubbish. Valuable raw materials can be reclaimed by environmentally friendly disposal.

To protect your new door opener from rusting during transportation and storage, some parts have been lubricated with oil. When assembling the door opener, dispose of oil-contaminated parts of the packaging and cleaning cloths in an environmentally friendly manner.

The used packaging materials are environmentally friendly and recyclable. Dispose of the packaging in an environmentally friendly manner.

Do not throw the remote control batteries into the household waste.

Please ask your dealer or inquire at your local authority about current means of disposal.

For your safety

Intended use

The opener is suitable for doors in accordance with EN 12604 or EN 13241 in consideration of the operating forces and in compliance with the operating instructions.

Use this garage door opener exclusively



- for the automatic opening and closing of garage doors.
- in dry rooms.
- in a private area.
- according to the descriptions and safety instructions specified in these operating instructions.

Any other use is regarded as improper.

Important safety instructions



Warning!

To ensure personal safety, it is essential to follow these instructions:

- Keep these operating instructions in a safe place and if you sell your house give them to the new owner. Before assembling the door opener, read this manual fully and follow the safety instructions in particular.
- Carry out the work steps in the described sequence and familiarise yourself with the operation of the door opener.
- Use only the enclosed or recommended fixing materials, original spare parts and accessories.
- After commissioning the garage door opener, show all users how the garage door opener functions and operates.
- There is a risk of crushing and shearing along the closing edges and on the mechanism of the garage door. Open and close the garage door only when you can see that there is no one within the swivel range.
- Keep the handheld transmitter out of reach to prevent unintentional operation, e.g. by playing children.
- Install the door opener on correctly aligned and counter-balanced garage doors only. An incorrectly aligned door could cause injuries.
- Before working on the door or door opener, always pull out the mains plug.
- Replace a damaged mains cable immediately (by electrician only).
- Never touch a moving door or moving parts.



Information for wearers of pacemakers

The power of the handheld transmitter falls within the relevant standards and is quite safe. To exclude a minor residual risk we recommend as a precaution that the handheld transmitter is not aimed directly at the body. To ensure your own safety hold and aim the handheld transmitter with outstretched arm in the direction of the garage door.

Safety devices



Safety devices prevent injury and damage to property.

Never disable or intentionally bypass safety devices.

Automatic obstacle detector

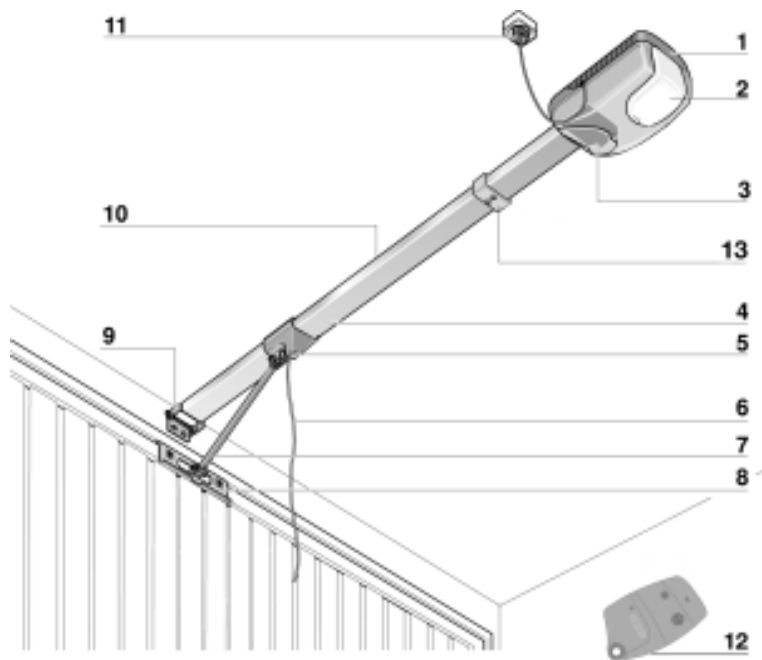
The garage door stops on approaching an obstacle during the door open movement.

On approaching an obstacle during the door close movement, the obstacle is released, the garage door moves up to the upper mechanical end stop (reference point) and then back to the programmed upper stop position.

- Conduct a performance test at least once a month (see “Switching on the garage door opener” chapter).

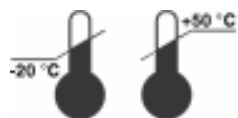
We also recommend installing other safety devices (see “Accessories”).

Overview



- | | |
|-------------------------------|--|
| 1. Opener head | 8. Door leaf bracket |
| 2. Opener light | 9. Fixing bracket for lintel/ceiling |
| 3. Electronics | 10. Chain with chain deflector (covered) |
| 4. Running rail | 11. Mains plug |
| 5. Carriage | 12. Handheld transmitter |
| 6. Internal emergency release | 13. Mechanical end stop |
| 7. Guide arm | |

Technical specifications



	KEASY L [⊕]	KEASY XL [⊕]
Weight	~ 15 kg	~ 15 kg
Compressive/tensile force	up to 500 N stepless ¹⁾	up to 700 N stepless ¹⁾
Soft start/soft stop	yes, stepless	yes, stepless
Temperature range	-20 °C.....+50 °C	-20 °C.....+50 °C
Dimensions		
Installation length	3.30 m	3.30 m
Stroke length	2.50 m ²⁾	2.50 m ²⁾
Electrics		
Power supply	230 V/50 Hz	230 V/50 Hz
Max. power input	300 W	300 W
Standby consumption	< 4 W	< 4 W
Degree of protection	IP 20	IP 20
Operating mode	S2 short-time operation	S2 short-time operation
Bulb	max. 40 W/E14	max. 40 W/E14
Radio frequency	FM 433.42 MHz	FM 433.42 MHz

1) Self-learning
2) 3.00 m with rail extension

Application

KEASY L⁺ / KEASY XL⁺

Can be used for:

- Swing doors
- Ceiling sectional doors (sectional door mounting required, see "Accessories")
- Wing doors (wing door mounting required, see "Accessories")

In addition, the direction of movement of the opener must be changed. You can obtain the required information from your dealer or your nearest contractual customer service. (See also operating instructions for the wing door mounting)

KEASY XL⁺

Can be used for:

- Up-and-over doors (lifting arm required, see "Accessories").
- Side sectional doors (mounting required).

Maximum garage door dimensions

	KEASY L ⁺	KEASY XL ⁺
Areas		
Light-weight doors, e.g. sheet-metal doors	up to 7.5 m ²	up to 12.0 m ²
Heavy doors, e.g. wooden doors	up to 6.0 m ²	up to 7.5 m ²
Heights		
Ceiling sectional doors	up to 2.3 m	up to 2.3 m
Other garage doors with rail extension set (see "Accessories")	up to 2.3 m over 2.3 to 3.0 m	up to 2.3 m over 2.3 to 3.0 m

Lintel and ceiling stability of the garage

Minimum load carrying capacity of lintel and ceiling:

- KEASY L⁺: 700 N
- KEASY XL⁺: 900 N



Note ceiling thickness when drilling (e.g. concrete ceilings on prefabricated garages)!

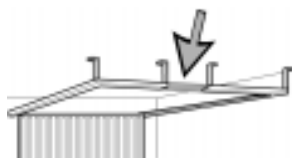
Required drill hole depth for the supplied wall plugs and screws: **53 mm**

Delivery includes standard proprietary wall plugs. If required, use special wall plugs which are suitable for the sub-base.

Existing door mechanism

Can the garage door be opened and closed easily by hand without it sticking? If not, have the door mechanism repaired by a garage door technician.

If the garage door rails have been reinforced by a cross-connector, the guide arm of the garage door opener may strike this cross-connector. In such cases this cross-connector can be cut through and partially removed, see diagram. To restore the stability, attach the remaining pieces of the cross-connector to the ceiling.



Mains connection

Is there a 230 V mains connection at the required distance from the door opener?

- Length of the mains cable: **approx. 1 m**

If not, have the mains connection installed by an electrician.



Additional safety devices



External emergency release

If the garage does not have a second access, an external emergency release must be fitted (see "Accessories"). The garage door can then be opened from outside (by hand), e.g. in the event of a power failure/malfunction.



Mechanical end stop

To ensure that the garage door starts up and is in working order after striking an obstacle, the movement of the garage door must always be restricted by a fixed mechanical end stop (included in standard delivery).



Door lock

The garage door opener is self-locking and keeps the door closed. Automate (see "Accessories"), remove or disable existing garage door locks.

Installation instructions

Important instructions for safe installation



Warning!

Incorrect installation may result in serious injuries. Follow all installation instructions! The assistance of a second person will facilitate installation.



Caution!

When drilling above your head, wear protective goggles. Before drilling, cover the opener head to protect against dust.



1 Checking the contents of the packaging

To ensure interruption-free installation, check prior to installation that the contents of the packaging are

- complete,
- undamaged.

Do not install damaged parts! Contact your dealer.



Note:

Foam parts **AA** are used to absorb the noise of the chain.



Set out all tools required for installation.

Installation situations/examples

Where should the fixing bracket for the lintel/ceiling and the opener head be fitted?
(as exemplified by a swing door)



3

To ensure optimum power transmission, the opener should always be fitted as close as possible above the highest running point of the door.

- Determine the highest running point **a** (**a** = minimum distance between door leaf and garage ceiling). There are several installation options depending on the determined dimension.

4

1. Dimension **a** from 38 mm to 140 mm
 - Fit the garage door opener to the ceiling.
 - Attach the fixing bracket for the lintel/ceiling to the lintel or ceiling (preferably to the lintel).
 - If attaching to the lintel, maintain a gap of 15 mm.

5

2. Dimension **a** greater than 140 mm
 - Attach the fixing bracket for the lintel/ceiling to the lintel maintaining a gap of 50 mm between the under edge of the rail and highest running point of the door.
 - Suspend the garage door opener from the ceiling (perforated rail required, see “Accessories”).

6

3. Dimension **a** less than 36 mm
 - Attach the fixing bracket for the lintel/ceiling and garage door opener to the ceiling behind the open garage door (extension rod required, see “Accessories”). Note overall length.

Pre-assembling the garage door opener



7

- Insert the rail connection pieces **B** all the way into the guide rail **A** and connect the guide rail parts.
- Bend the white noise-absorbing foam inserts **AA** at the fold.
- Wedge the noise suppressor in the middle of the 4 guide rails **A**.
- Insert the pre-assembled guide rail into opener head **C**.

8

- Slide the carriage **D** onto the running rail.
- Connect the front chain deflector **E, F, G** and insert into the running rail.

9

- To facilitate unwinding of the chain **J** the cover of the small accessories packaging can be detached and used as a base.
- Wipe excess oil off the chain with a cloth.

10

- Unwind the chain into the running rail.
 - Always feed the chain through the carriage **D** on the driver side **I**. To do this, disengage the carriage (metal lever must engage with the plastic lever).
- Connect both sides of the driver **I** to chain **J** with chain joint **H**.



11

- To insert the chain into the chain deflector **F** spring **E** must be compressed with force. Use guide arm **M** to facilitate compressing the spring.
 - The chain must be placed correctly in its guide and must not be twisted.

12

- Attach the emergency release cord **O**.
- Attach the pinion cover **N**.

Installation



13

- Attach the bracket for the door leaf **K** to the door leaf frame.
 - Attach the fastening screws horizontally or vertically.

14

- Attach fixing bracket **L** to the ceiling or lintel depending on the installation situation (see “Installation situations/examples”). Borehole depth 5.3 cm.

15

- Remove the cover flap.
- Connect the garage door opener to the fixing bracket.
 - Do not tighten the bolt. The bolt can have play, as the nut is self-locking.

16

- Attach the opener head to the ceiling, Borehole depth 5.3 cm.
 - Ensure that the opener head is aligned central to the garage door (compare bracket **K** on the door leaf)!

17

- Connect guide arm **M** to the bracket on the door leaf (with **Q, Y**) and to the carriage. Bolts can have play, as the nuts are self-locking.

If doors do not have a rigid mechanical end stop, attach end stop bracket **Z** as follows:

- Open the garage door fully. The installation position of the end stop bracket is situated directly behind the carriage when the door is fully open.
- Mark the boreholes and then drill with a 3.6 mm Ø metal bit.
- Attach the end stop bracket with sheet-metal tension screws **ZZ**.

- Check door movement by hand. The carriage must be released beforehand.
- Open the garage door fully and close.

18

- When the garage door is closed, prepare to couple the garage door opener by pressing down the plastic lever. The release mechanism is cancelled as soon as the metal lever disengages. Then manually move the garage door into the “door open position”, i.e. the carriage couples with the driver.

Adjustment instructions

Switching on the garage door opener



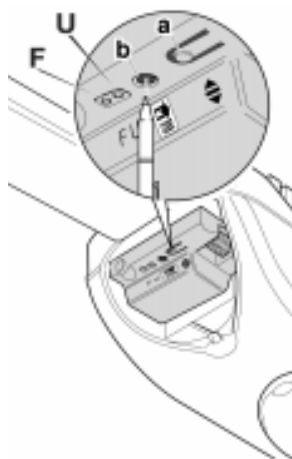
Risk of injury!

When switching on the garage door opener and making adjustments, keep people and objects out of the swivel range of the garage door.



Note:

The opener light is switched on permanently and may cause the temperature of the bulb cover to rise significantly. Therefore switch on the garage door opener without the cover.



- Insert the mains plug. The opener light switches on permanently.
- Check whether the driver on the chain is engaged with the carriage. It must not be possible to move the garage door by hand.

- F** LED, lights up when a radio signal is received
- U** LED, lights up when mains voltage is on
- a** Control button
- b** Programming button

Adjusting/changing the stop positions of the garage door

The process always includes adjustment of the upper and lower stop positions as well as a test run.

The position of the carriage when the door is fully open is designated as the upper stop position.

The position of the carriage when the door is fully closed is designated as the lower stop position.

The adjustment process must be conducted in the specified sequence and is complete when the opener light goes out. Only then can the handheld transmitter be logged on.



Caution!

A rigid end stop must be fitted to restrict the door movement (upper stop position), otherwise the opener will continue running during the adjustment process and may damage the door mechanism.

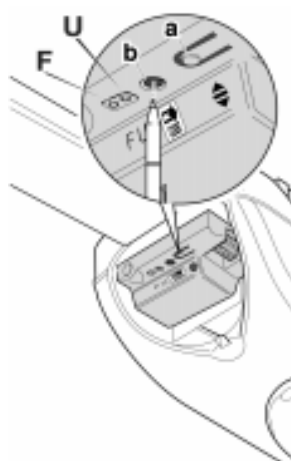


Note:

Press the programming button only gently (e.g. with a ball-point pen).

To interrupt the adjustment process, pull out the mains plug. After the mains plug has been re-inserted, the adjustment process must be restarted.

The minimum distance between the upper and lower stop positions is 30 cm. A smaller distance cannot be programmed.



1. Adjusting the upper stop position

- Press programming button **b** for at least 2 seconds (ball-point pen) until the opener light goes out.
 - Opener light comes on again.
 - If the opener light flashes, the programming button was pressed too briefly. In this case pull out and re-insert the mains plug. Restart adjustment of the stop position.
- Briefly press the control button **a** (approx. 1 second).
 - Garage door opener runs in the “door open” direction to the mechanical end stop and then back by approx. 5 cm.
 - This position can be corrected by pressing and holding down control button **a** until the required position has been reached. Each time the button is pressed, the direction of movement changes.
- When the required stop position has been adjusted:
 - Press programming button **b** until the opener light goes out.
 - Opener light comes on again.

The upper stop position has been saved.

2. Adjusting the lower stop position

- Press and hold down control button **a** until the garage door has closed fully (mechanical stop).
 - If required, the lower stop position can be changed via control button **a**, see above.
 - To prevent damage to the door mechanism, adjust the lower stop position so that the door does not press too forcefully against the mechanical stop.
- Press programming button **b** until the opener light goes out.
 - Opener light comes on again.

The lower stop position has been saved.

3. Conducting a test run

- Briefly press control button **a** and wait until the garage door has opened fully.
- Press control button **a** again and wait until the garage door has closed fully.
 - The opener light goes out.

The adjustment process is complete.

If the test run was not successful, repeat the entire adjustment process.

The test run is not complete if it is interrupted. During the test run the garage door opener operates at full force and automatically “learns” the required opening and closing forces. With each subsequent movement the force is automatically re-adjusted (important e.g. in winter when the garage door runs slightly more sluggishly).

Programming the handheld transmitter

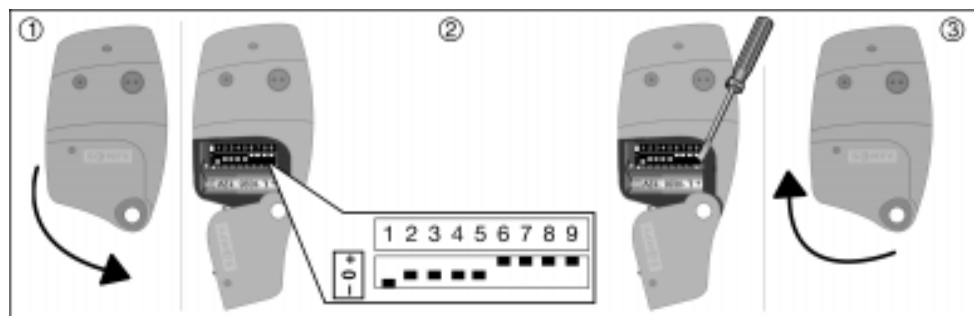
1. Setting the security code



About the Somfy security system:

For reasons of safety at least one switch must be set to + or 0 so that the handheld transmitter can be programmed on the opener, i.e. the safety code “-----” is invalid.

Encode your handheld transmitter with your personal safety code as follows:

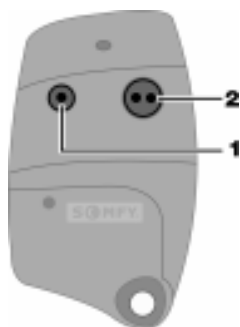


- Remove the handheld transmitter cover (1).
- Set the required code, e.g. with a screwdriver (2).
 - Set a freely selected number of switches between 1 and 9 to + / – or 0.
- Close the handheld transmitter cover (3).

Your handheld transmitter can now be programmed to the opener.

2. Programming the handheld transmitter on the opener

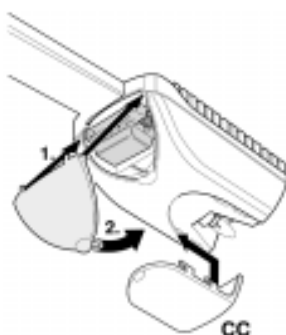
Before you begin programming the handheld transmitter, specify one of the two buttons **1** or **2** on the handheld transmitter as the control button. You can then operate the garage door opener via this button only. This button is referred to as “Button 1” in the following description.



- Briefly press programming button **b** on the door opener (approx. 1 sec.).
 - Opener light flashes.
 - If the opener light is lit permanently, the programming button was pressed too long. In this case pull out and re-insert the mains plug. Repeat “programming the handheld transmitter”.
- Press the required button 1 on the handheld transmitter for at least 2 sec. until the opener light goes out and then flashes again.
- Press the same button on the handheld transmitter again for approx. 2 sec. until the opener light goes out and lights up briefly again.

The handheld transmitter has been programmed on the opener.

- When the programming process is complete, attach the covers to the electronics module and the opener light **CC**.



3. Other handheld transmitters

After you have programmed one handheld transmitter, you can use other handheld transmitters without programming them under the following conditions:

- The same security code has been set.
- The same control button (button 1) is used.

4. Deleting the handheld transmitter

The programmed handheld transmitters are deleted by overwriting the previously saved values.

You do this:

- by programming a new control button on the handheld transmitter,
- or
- by programming a handheld transmitter with a new security code on the opener (see "Setting the security code").



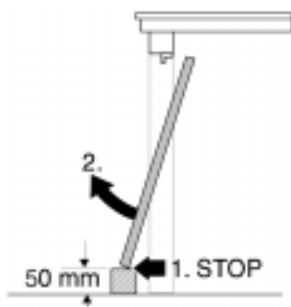
Note:

If one handheld transmitter is deleted, all handheld transmitters will be deleted which have been programmed with the same security code or the same control button.

Checking the obstacle detector

When switching on the garage door opener for the first time and then at least 1x month:

- Place a suitable object at least 50 mm tall (e.g. block of wood) in the path of the garage door (door close movement).
- Start the garage door opener.
 - On approaching the obstacle, the garage door stops, moves up to the upper mechanical end stop and then back to the programmed upper stop position.
 - The opener light flashes in a one-second cycle.
- Restart the garage door opener to stop the flashing.
 - If this is not the case, please contact the Service Line.



Connecting accessories

Preparation



Risk of electric shock

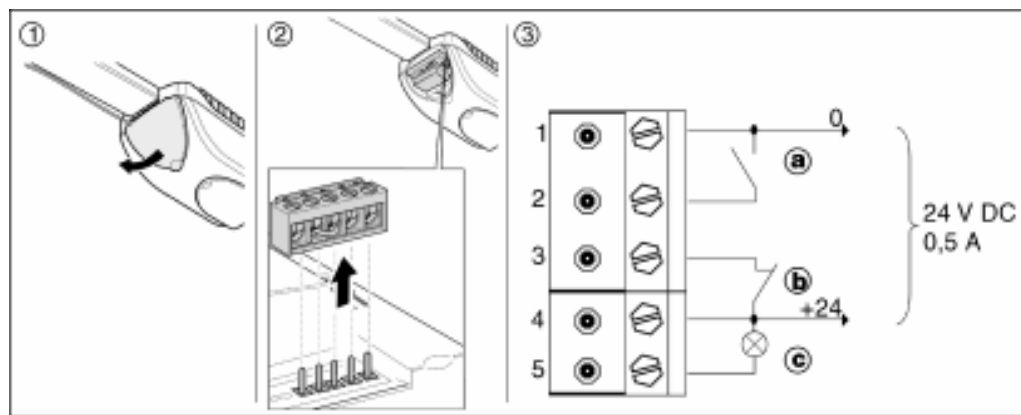
Before connecting accessories, pull out the mains plug.



Caution!

Connect only original accessories according to the manual. Potential-free contacts – do not apply interference voltage!

- Remove the cover flap from the electronics (1).



- To connect the wires, remove the terminal strip (2).

Terminal assignment (3):

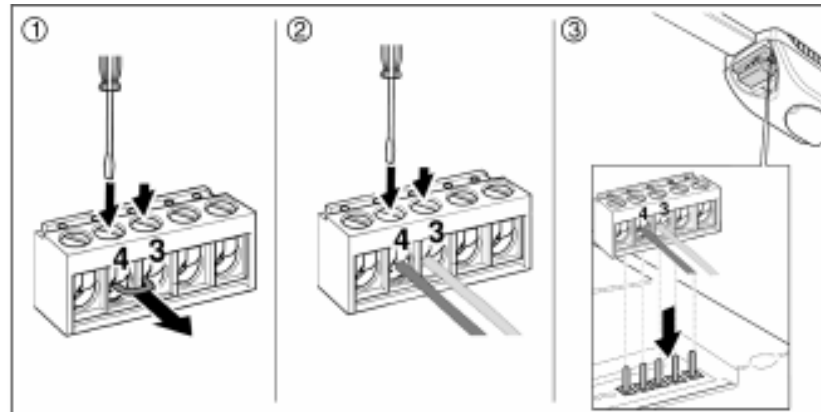
- **a** Pushbutton connection
- **b** Light barrier connection
- **c** Warning light connection

Light barrier, wicket door contact, safety contact strip



Warning!

Have safety accessories connected by a specialist company.



- Open terminals 3 and 4 (small screwdriver) (1).
Remove wire jumpers.
- Insert wires for 3 and 4, tighten (2).
- Re-attach terminal strip (3).
- Insert mains plug, conduct performance test.



Note:

If several safety accessories are used, these must be connected in series.

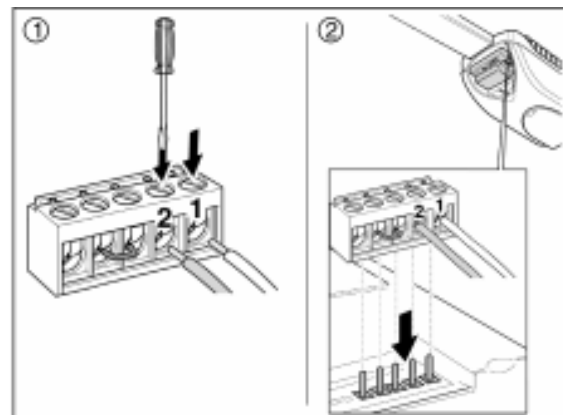
Internal, code, key-operated pushbutton



Attach the button:

- within sight of the garage door,
- away from moving parts,
- attach internal pushbutton at a height of at least 1.5 m.

- Open terminals 1 and 2 (small screwdriver).



- Insert wires, tighten (1).
- Re-attach terminal strip (2).
- Insert mains plug, conduct performance test.



Note:

If several pushbuttons are used, these must be connected in parallel.

Warning light

The warning light flashes while the door is moving.

- Connect the warning light to flash output terminals 4 and 5.

24 V output

The 24 V output supplies a light barrier or the safety contact strip. Connection is on terminals 1 and 4.

Operating instructions

Opening, closing or stopping the garage door



Risk of injury

Do not open or close the garage door if there are persons or objects within the swivel range.

In the event of a power failure or malfunctions on the opener, open the garage door with the internal or external emergency release only. If the door can be actuated with increased force following actuation of the emergency release, always consult a garage door technician.

Keep the handheld transmitter in a secure location in the vehicle to prevent it from causing damage, e.g. when the vehicle brakes.



Caution!

Do not expose the handheld transmitter to high temperatures (e.g. handheld transmitter in the vehicle exposed directly to the sun).

- Aim the handheld transmitter at the garage door and press the button for 1–2 seconds
or
- Press the pushbutton (e.g. key-operated pushbutton)
 - The opener light comes on for 60 seconds after the garage door has been opened or closed.



Sequence if the handheld transmitter or pushbutton is actuated repeatedly:

Open – Stop – Close – Stop – Open – Stop – Close – Stop, etc.

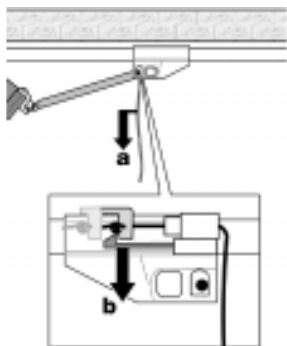
Internal emergency release

In the event of an emergency or power failure the garage door can be disconnected from the opener and opened (by hand) from inside.



Risk of injury

The opened garage door may fall down when it is released because the springs are weak or broken or the door has been inadequately balanced.



- Release the garage door opener by pulling line **a**.
 - The lever engages and the garage door can be opened by hand.
- Prepare to engage the garage door opener by pressing down the plastic lever **b**.
- Then move the garage door by hand into the initial position.
 - When the garage door opener engages, a distinct “click” can be heard.

Replacing the battery on the handheld transmitter



Caution!

Risk due to improper replacement of the battery. Replace with the same type of battery only. Use leakproof batteries.

Environmental hazard caused by used batteries!

Do not throw used batteries into the household waste. Dispose of used batteries in an environmentally manner. Follow the manufacturer's instructions.

- Replace used battery with a new battery.
 - Type of battery: L1028/12 V



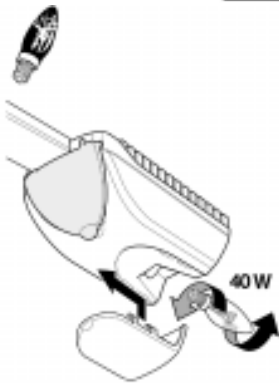
Replacing the bulb



Risk of electric shock!

Before replacing the bulb, pull out the mains plug.

- Remove the cover from the opener light.
- Replace the bulb with a new one (max. 40 W, bulb holder E14).
- Attach and engage the cover.
- Insert the mains plug.



Conducting a regular performance test



Warning!

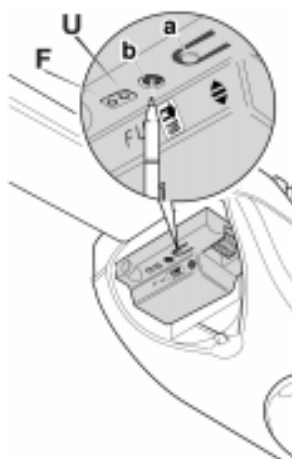
While repairing or adjusting the door mechanism, do not use the equipment, as a fault in the equipment or an incorrectly balanced door may cause injuries.

- Conduct the following performance tests once a month:
 - Obstacle detector (see “Switching on the garage door opener” chapter)
 - Function of all additionally installed accessories (in particular safety devices)
- Check all the equipment (door and opener) for mechanical function (in particular worn and damaged springs and fixtures) as well as the electrical installation.

What happens if the power supply was interrupted?

- Opener light comes on for 1 second when the power supply is restored.
- When the next control impulse is emitted, the garage door moves up to the upper mechanical end stop (reference point) and then back to the programmed upper stop position.
- If the opener light then switches on permanently, restart the garage door opener.

Eliminating faults yourself



Fault	Possible cause	Remedial action
Optical display: Permanent light after inserting the mains plug and/or while switching on the garage door opener.	Stop position setting and/or test run not complete.	Reset mains plug. Pull out and re-insert mains plug. Set stop positions and conduct test run in accordance with operating instructions.
Opener light flashes regularly (one-second cycle).	Obstacle detected (e.g. by obstacle detector or actuation of the safety equipment such as light barrier, wicket door contact).	Remove obstacle, open/close garage door.
Opener light flashes irregularly (three seconds OFF/one second ON).	While monitoring the electronic components, the electronics detect an irregularity.	Reset: Simultaneously press control button a and programming button b for 5 seconds. (Opener light flashes). Reset verified by solid light. Reset stop positions and conduct a test run. Programmed handheld transmitters are not deleted. If the opener light flashes again irregularly while the stop positions are being programmed, please contact Service Line.
Opener light does not come on.	Bulb defective.	Replace.
Garage door opener does not function when the handheld transmitter is actuated.	Battery in the handheld transmitter discharged/incorrectly inserted.	Check battery and, if required, replace battery.
	Code in the receiver not yet read.	Log on handheld transmitter.
	Stop position setting, test run not complete.	Set stop positions, conduct and complete a test run. Then log on the handheld transmitter.
Garage door opener does not/not fully open/close the door.	Door mechanism damaged.	Check door mechanism. Have the garage door repaired by a garage door technician.
	Unfavourable conditions outside (e.g. heavy rain) have increased the door weight. Garage door opener identifies the situation as an obstacle.	Reset stop positions and conduct a test run. Programmed handheld transmitters are not deleted. If the fault persists, please contact Service Line.
	No mains voltage (LED U does not come on).	Have a technician check whether the mains socket is being supplied with mains voltage.

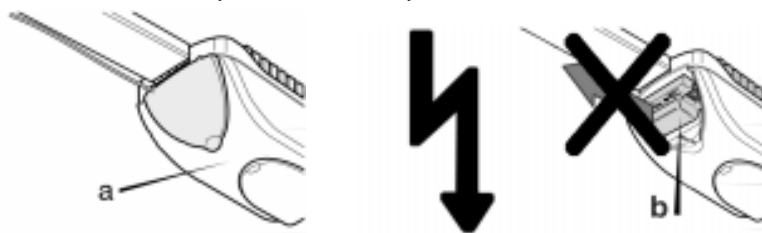
Customer service

Faults in the 230 volt area may be rectified by electricians or the contractual customer service only. In the event of repeatedly occurring or other faults please contact your nearest contractual customer service.



Warning!

Cover (a) may be removed by a technician only in accordance with VDE 0100 (risk of electric shock). Otherwise, the warranty will lose its validity.



Risk of electric shock!

Before working on the control electronics (b), disconnect the power supply!
Do not pull out the control electronics!

Accessories

These accessories are available from a specialist outlet. Dealers for SOMFY garage door openers will be pleased to give you further information.

Accessories for additional safety

	SOMFY pos. no.	Remarks
External emergency release – for swing/sectional and up-and-over doors with handle – for all common door types with and without handle (emergency release lock)	9 000 018 9 000 032	If the garage does not have a second access, an external emergency release must be fitted. The garage door can then be opened from outside (by hand), e.g. in the event of a power failure/malfunction.
Wicket door contact	9 000 007	Prevents a door movement by the garage door opener when a wicket door (door in garage door) is open.
Floor lock	9 000 003*	
Lock set without spring-loaded catch	9 000 019*	
Side door lock	9 000 004*	
Light barrier	9 000 025	When the light beam is interrupted, the garage door stops immediately. The obstacle is released in the door close direction.
Warning light	9 000 030	

* Additional guide arm required (order no. 9 000 002)

Accessories for increased ease of operation

	SOMFY pos. no.	Remarks
Key-operated pushbutton surface/flush-mounted	9 000 021	
Internal pushbutton	9 000 008	
Code pushbutton	9 000 028	
2-channel handheld transmitter, light-grey	1 800 037	433.42 MHz
4-channel handheld transmitter, Fun	1 800 035	433.42 MHz
4-channel handheld transmitter, dark-grey	1 800 029	433.42 MHz

Accessories for special installation conditions

	SOMFY pos. no.	Remarks
Ceiling connection (bracket)	9 000 034	For connection up to max. 270 mm.
Perforated rail for suspending the garage door opener	9 000 001	Total length 1 m, for connection up to 400 mm.
Ceiling connection (telescope)	9 000 042	For connection up to max. 1.500 mm.
Guide arm extension	9 000 006*	For use with wide lintel (up to max. 400 mm) if the guide arm is on the lintel.
Extension rod	9 000 005*	Required if the distance between the upper edge of the door and the garage ceiling is too small and if the garage door opener is installed at the very rear (up to max. 2.5 m).
Wing door mounting	9 000 009	Door wing width max. 1.5 m per wing. For additional information see "Application".
Sectional door mounting	9 000 016	For door segments between 300 and 500 mm in height.
Mounting bracket	9 000 040	For reinforcing the upper sectional door segment.
Curved guide arm	9 000 023	For sectional doors if the supporting rail and mounting rail are not required on the door segment.
Lifting arm	9 000 015	For up-and-over doors with vertical running rails.
Rail extension set	9 000 031	By max. 700 mm.

* Additional guide arm required (order no. 9 000 002)

Manufacturer's declaration



(See page 230)

The manufacturer SOMFY GmbH, Felix-Wankel-Strasse 50, D-72108 Rottenburg a. N., hereby declares:

The door opener, type KEASY L+, KEASY XL+, conforms to the 99/5/EG, 98/37 EG machine directive in accordance with DIN EN 12453:2001, DIN EN 60335-1:1995, E DIN EN 60335-2-95:2001.

Note:

It is prohibited to commission the door equipment, in which this door opener is to be installed, until it has been established that the door equipment conforms to the regulations of the directive 98/37/EG.

Rottenburg, 16.02.2004



Design Center Manager
p.p. Dieter Thomas

Table des matières

Table des matières	20
Symboles utilisés dans cette notice	21
Consignes pour la mise au rebut	21
Pour votre sécurité	22
Conformité d'utilisation	22
Consignes de sécurité importantes	22
Consigne à l'intention des porteurs de stimulateurs cardiaques	22
Equipements de sécurité	22
Préparation de l'incorporation	23
Vue d'ensemble	23
Données techniques	23
Domaine d'utilisation	24
Dimensions maximales de la porte du garage	24
Robustesse du linteau ou du plafond du garage	24
Mécanisme préexistant de la porte	24
Raccordement au secteur	24
Equipements de sécurité supplémentaires	25
Instructions de montage	25
Instructions importantes, permettant un montage sûr	25
Vérifiez le contenu de l'emballage	25
Situations et exemples d'incorporation	26
Prémontage de la téléoverture pour porte de garage	26
Montage	27
Instructions de réglage	27
Mise en service	27
Régler / modifier les fins de course de la porte du garage	28
Programmation de la télécommande	29
Vérifier le fonctionnement de la détection des obstacles	30
Branchement des accessoires	30
Préparatifs	30
Barrage photo-électrique, contact pour porte d'accès intégrée, barre à contact de sécurité	31
Bouton-poussoir intérieur, bouton-poussoir de programmation, bouton-poussoir à clé	31
Feu d'avertissement	32
Sortie en 24 V	32
Instructions d'utilisation	32
Ouvrir la porte du garage, la refermer et la stopper en route	32
Déverrouillage d'urgence depuis l'intérieur	32
Changement de la batterie équipant la télécommande	33
Remplacement de l'ampoule à incandescence	33
Vérification régulière	33
Que se passe-t-il en cas de coupure de l'alimentation électrique ?	33
Dérangements et remèdes	34
Remédier soi-même aux dérangements	34
Service après-vente	35
Accessoires	35
Ces accessoires sont synonymes d'un supplément de sécurité	35
Accessoires destinés à accroître le confort de commande	36
Accessoires destinés à des conditions d'incorporation spéciales	36
Déclaration du fabricant	37

Symboles utilisés dans cette notice

**Attention ! Consignes de sécurité importantes.**

Pour assurer la sécurité des personnes, il est d'une importance vitale de respecter les consignes accompagnant ce symbole d'avertissement.

**Prudence ! Consignes de sécurité.**

Le non respect de ces consignes engendre un risque de blessures ou de dégâts matériels.

**Remarque :**

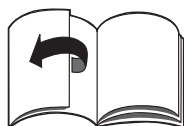
Ce symbole précède des conseils d'utilisation ainsi que des informations importantes.

**Risque d'électrocution !**

Avant d'effectuer tous travaux, débranchez la fiche mâle de la prise de courant.



Emploi en locaux secs uniquement.



Dépliez les volets illustrés situés en début de notice.



Dépliez les volets illustrés situés en fin de notice.



Ce chiffre, accompagnant une instruction, renvoie au numéro correspondant sur les volets dépliant.

- Ce point indique qu'il s'agit d'une instruction d'action.
 - Le tiret attire votre attention sur des points dont il faut particulièrement tenir compte.

Consignes pour la mise au rebut



Tenez compte de ce qui suit si la présente téléouverture en remplace une ancienne :

- Les appareils usagés ne sont pas des déchets sans valeur. Une mise au rebut respectueuse de l'environnement permettra d'en récupérer de précieuses matières premières.

Pour protéger votre nouvelle téléouverture contre la rouille pendant le transport et le stockage, certaines de ses pièces ont été recouvertes d'huile. Lors du montage, éliminez les pièces en carton souillées par l'huile et les chiffons en respectant l'environnement.

Les matériaux d'emballage mis en œuvre sont compatibles avec l'environnement et recyclables. Veuillez éliminer l'emballage en conformité avec la réglementation sur l'environnement.

Ne jetez jamais à la poubelle des déchets ménagers les batteries équipant la télécommande de la téléouverture.

Pour connaître les circuits actuels de dépollution, veuillez vous adresser à votre revendeur ou à l'administration municipale.

Pour votre sécurité

Conformité d'utilisation

Cette téléouverture convient aux portes selon EN 12604 et EN 13241, en tenant compte des forces de fonctionnement et du contenu de la notice d'utilisation.

Ne vous servez de cette téléouverture pour porte de garage que



- Pour ouvrir et fermer automatiquement les portes de garage.
- Dans des locaux secs.
- Dans le domaine privé.
- Conformément aux descriptions et consignes de sécurité énoncées dans la présente notice d'utilisation.

Toute autre forme d'utilisation sera réputée non conforme.

Consignes de sécurité importantes



Attention !

Pour assurer la sécurité des personnes, il revêt une importance vitale de respecter les instructions suivantes :



- Conservez et rangez les présentes instructions. Si la téléouverture doit changer de propriétaire, remettez-les lui. Veuillez lire cette notice attentivement et entièrement avant le montage, et respectez particulièrement les consignes de sécurité qu'elle contient.
- Exécutez les étapes de travail selon la chronologie décrite et familiarisez-vous avec l'emploi de l'appareil.
- Utilisez exclusivement la quincaillerie de fixation livrée d'origine ou recommandée, les pièces de rechange d'origine et accessoires d'origine.
- Après la mise en service, montrez à tous les utilisateurs le fonctionnement de cette téléouverture pour porte de garage et comment l'utiliser.
- Risque d'écrasement et de cisaillement au niveau des arêtes de fermeture et du mécanisme de la porte de garage. N'ouvrez et ne fermez la porte de garage que si vous avez une parfaite visibilité sur l'aire de basculement et que si aucune personne ne séjourne dans cette zone.
- Rangez la télécommande de sorte à empêcher toute utilisation intempestive, par ex. par des enfants en train de jouer.
- Ne montez la téléouverture que contre des portes de garage correctement alignées et dont le poids a été équilibré. Une porte de garage mal alignée peut occasionner des blessures.
- Avant d'effectuer tout travail sur la porte ou la téléouverture, débranchez toujours la fiche mâle de la prise de courant.
- Faites remplacer sans délai tout cordon d'alimentation endommagé (opération réservée à un électricien agréé).
- N'approchez jamais la main d'une porte en train de se déplacer ou de pièces en mouvement.

Consigne à l'intention des porteurs de stimulateurs cardiaques

La puissance d'émission de la télécommande se tient dans la fourchette prévue par les normes applicables et demeure fondamentalement inoffensive. Afin d'exclure un risque résiduel réduit, nous vous recommandons, à titre préventif, de ne pas vous servir de la télécommande près du corps. Par mesure de sécurité, braquez la télécommande bras tendu vers la porte de garage et ensuite seulement appuyez sur la touche.

Equipements de sécurité



Les équipements de sécurité ont pour but de vous protéger contre les blessures et d'éviter des dégâts matériels.

Ne désactivez jamais les équipements de sécurité et ne tentez jamais de les ponter.

Détection automatique des obstacles

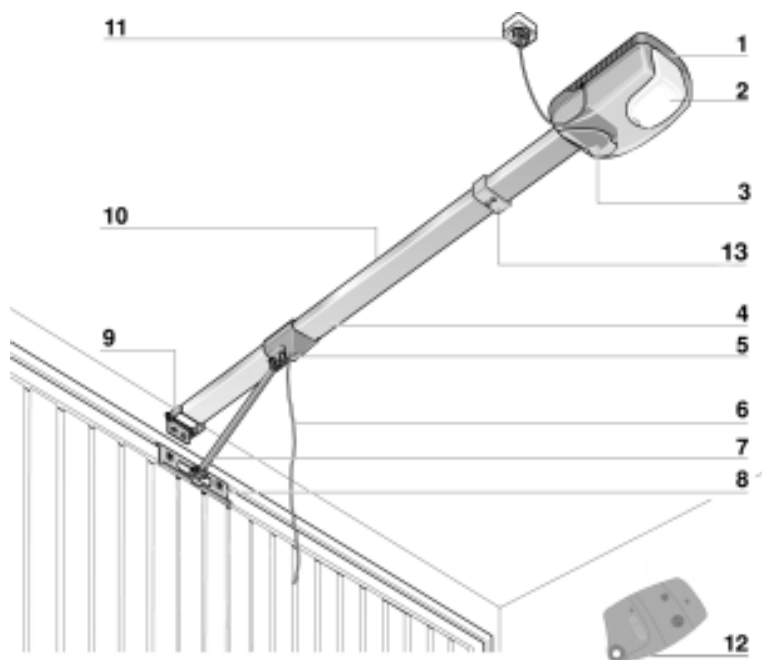
Si la porte décrivant un mouvement d'ouverture vient heurter un obstacle, elle s'immobilise.

Si la porte décrivant un mouvement de fermeture vient heurter un obstacle et que vous enlevez cet obstacle, elle remonte jusqu'à la butée mécanique fin de course supérieure (point de référence). Ensuite, elle revient sur la position fin de course supérieure programmée.

- Veuillez vérifier cette fonction au moins une fois par mois (voir le chapitre « Mise en service »).

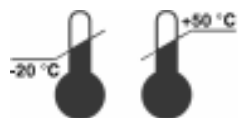
En outre, nous vous recommandons d'incorporer d'autres équipements de sécurité (voir la section « Accessoires »).

Vue d'ensemble



- | | |
|--|---|
| 1. Tête d'entraînement | 8. Cornière de fixation de la porte |
| 2. Eclairage intégré | 9. Cornière de retenue contre le linteau / le plafond |
| 3. Circuit électronique | 10. Chaîne avec son renvoi (invisible) |
| 4. Rail | 11. Fiche électrique mâle |
| 5. Chariot | 12. Télécommande |
| 6. Déverrouillage d'urgence de l'intérieur | 13. Butée mécanique fin de course |
| 7. Bras de guidage | |

Données techniques



	KEASY L ⁺	KEASY XL ⁺
Poids	~ 15 kg	~ 15 kg
Force de compression / traction	continue jusqu'à 500 N ¹⁾	continue jusqu'à 700 N ¹⁾
Démarrage / Arrêt en douceur	oui, progressif	oui, progressif
Plage de températures	de -20 à +50 °C	de -20 à +50 °C
Dimensions		
Longueur d'incorporation	3,30 m	3,30 m
Longueur de levage	2,50 m ²⁾	2,50 m ²⁾
Circuit électrique		
Alimentation électrique	230 V / 50 Hz ~	230 V / 50 Hz ~
Puissance absorbée max.	300 W	300 W
Consommation en veille	< 4 W	< 4 W
Type de protection	IP 20	IP 20
Mode de fonctionnement	S2, de courte durée	S2, de courte durée
Ampoule à incandescence	40 W max. / E14	40 W max. / E14
Fréquence radio	Ondes ultracourtes 433,42 MHz	Ondes ultracourtes 433,42 MHz

CE 06810

1) Autodidacte
2) 3,00 m avec rallonge de rail

Domaine d'utilisation

KEASY L⁺ / KEASY XL⁺

Cette téléouverture peut servir avec les :

- Portes oscillantes
 - Portes sectionnées s'ouvrant vers le plafond (garniture pour porte sectionnée nécessaire, voir la section « Accessoires »)
 - Portes à battants (garniture pour porte à battants nécessaire, voir la section « Accessoires »)
- En outre, il faut inverser le sens de fonctionnement de la téléouverture. Votre revendeur spécialisé ou le service après-vente agréé le plus proche vous fourniront les informations nécessaires à ce sujet. (Voir également la notice d'utilisation de la garniture pour porte à battants)

KEASY XL⁺

Cette téléouverture peut servir avec les :

- Portes basculantes (bras de levage nécessaire, voir la section « Accessoires »).
- Portes sectionnées latérales (garniture nécessaire).

Dimensions maximales de la porte du garage

	KEASY L ⁺	KEASY XL ⁺
Surfaces Portes légères, en tôle par ex. Portes lourdes, en bois par ex.	jusqu'à 7,5 m ² jusqu'à 6,0 m ²	jusqu'à 12,0 m ² jusqu'à 7,5 m ²
Hauteurs Portes sectionnées pour plafond Autres portes de garage Avec kit de prolongement de rail (voir « Accessoires »)	jusqu'à 2,3 m jusqu'à 2,3 m entre 2,3 et 3,0 m	jusqu'à 2,3 m jusqu'à 2,3 m entre 2,3 et 3,0 m

Robustesse du linteau ou du plafond du garage

Charge minimum que doit supporter le linteau ou le plafond :

- KEASY L⁺ : 700 N
- KEASY XL⁺ : 900 N



Lors du perçage, tenir compte de l'épaisseur du plafond (par ex. plafond en béton de garage préfabriqué).

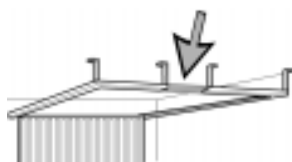
Profondeur de perçage requise pour les chevilles et vis livrées d'origine : **53 mm**

Des chevilles standard de marque accompagnent les fournitures. Si nécessaire, veuillez utiliser des chevilles spéciales adaptées au substrat.

Mécanisme préexistant de la porte

La porte du garage se laisse-t-elle ouvrir et fermer facilement à la main sans se coincer ? Si ce n'est pas le cas, confiez la remise en état du mécanisme à un spécialiste en portes de garage.

Si les rails de circulation de la porte de garage ont été renforcés avec une entretoise transversale, le bras de guidage de la téléouverture peut venir buter contre cette entretoise. En pareil cas, il faudra scier l'entretoise et l'enlever en partie (voir l'exemple illustré ci-contre). Pour restaurer la robustesse, fixez les pièces restantes contre le plafond.



Raccordement au secteur

Y a-t-il une prise femelle du secteur en 230 V à la distance requise de la téléouverture ?

- Longueur du câble : **env. 1 m**

Si ce n'est pas le cas, confiez la pose d'un câble de secteur à un électricien agréé.



Equipements de sécurité supplémentaires



Déverrouillage d'urgence de l'extérieur

Si le garage ne comporte pas un second moyen d'accès, il faudra impérativement monter un dispositif de déverrouillage d'urgence de l'extérieur (voir «Accessoires»). Ceci permettra d'ouvrir la porte du garage de l'extérieur (à la main) lorsque par ex. une panne de courant / un dérangement s'est produit(e).



Butée mécanique fin de course

Lors de la mise en service et pour que la téléouverture fonctionne impeccablement après le heurt d'un obstacle, il faut que la porte du garage soit impérativement limitée par une butée mécanique fixe (comprise dans les fournitures).



Verrouillage de la porte

La téléouverture est autobloquante et maintient la porte fermée. Vous pouvez automatiser (voir la section «Accessoires»), supprimer ou désactiver les verrouillages préexistants.

Instructions de montage

Instructions importantes, permettant un montage sûr



Attention !

Un montage erroné peut provoquer des blessures graves. Respectez toutes les instructions de montage. Pour faciliter ce dernier, faites-vous aider par une seconde personne.



Prudence !

Portez des lunettes de protection lorsque vous percez des trous au plafond. Pour protéger le bloc d'entraînement contre la poussière, recouvrez-le avant d'entamer le perçage.



Vérifiez le contenu de l'emballage

Pour pouvoir monter sans interruption, vérifiez le contenu du paquet avant le montage :

- Les pièces sont-elles au complet ?
- Sont-elles dans un état correct ?

N'incorporez pas des pièces en mauvais état ! Prenez contact avec votre revendeur spécialisé.



Remarque :

Les pièces en matériau mousse **AA** servent à atténuer le bruit de la chaîne.



Préparez tous les outils nécessaires au montage.

Situations et exemples d'incorporation

Où monter la cornière de retenue contre le linteau / le plafond et la tête d'entraînement ?

(Exemple : porte oscillante)



3

Pour obtenir une transmission optimale de la force, il faudra placer l'entraînement juste au-dessus du point de passage le plus haut de la porte.

- Déterminez le point **a** de passage le plus haut de la porte (**a** = écart minimum entre la feuillure de porte et le plafond du garage). Il en découle plusieurs possibilités d'incorporation. Elles dépendent de l'écart déterminé.

4

1. Ecart **a** compris entre 38 et 140 mm

- Montez la téléouverture pour porte de garage contre le plafond.
- Fixez la cornière de montage (linteau / plafond) contre le linteau ou le plafond (de préférence contre le linteau).
- Si vous la montez contre le linteau, maintenez un écart de 15 mm.

5

2. Ecart **a** supérieur à 140 mm

- Fixez la cornière de montage (linteau / plafond) contre le linteau en maintenant un écart de 50 mm entre le bord inférieur du rail et le point de passage le plus haut de la porte.
- Suspendez la téléouverture contre le plafond (rail perforé nécessaire, voir la section «Accessoires»).

6

3. Ecart **a** inférieur à 38 mm

- Fixez la cornière de montage (linteau / plafond) contre le plafond, derrière la porte du garage ouverte (barre rallonge nécessaire, voir la section «Accessoires»). Tenez compte de la longueur totale.

Prémontage de la téléouverture pour porte de garage



7

- Enfilez les pièces de liaison **B** de rail dans le rail de guidage **A** jusque contre les butées puis emmanchez les pièces formant le rail de guidage.
- Au niveau du pli, pliez les garnitures en matériau mousse blanc servant à atténuer le bruit **AA**.
- Coincez les amortisseurs de bruit au milieu des 4 rails de guidage **A**.
- Dans le bloc d'entraînement **C**, insérez le rail de guidage prémonté.

8

- Enfilez le chariot **D** sur le rail.
- Emmanchez le renvoi avant de la chaîne **E, F, G**, puis insérez-le dans le rail de roulement.

9

- Pour dérouler plus facilement la chaîne **J**, vous pouvez détacher le couvercle de l'emballage de la quincaillerie et vous en servir comme support.
- A l'aide d'un chiffon, essuyez l'huile excédentaire présente sur la chaîne.

10

- Déroulez la chaîne dans le rail de roulement.
 - Faites impérativement passer la chaîne à travers le chariot **D** sur le côté du taquet entraîneur **I**. Pour ce faire, débrayez le chariot (le levier en métal doit enclencher dans le levier en matière plastique).
- Des deux côtés, reliez le taquet entraîneur **I** à la chaîne **J** à l'aide du maillon de jonction **H**.



11

- Pour insérer la chaîne dans le renvoi de chaîne **F**, il faut comprimer de force le ressort **E**. Vous pouvez, pour y parvenir, vous aider du bras de guidage **M**.
 - Il faut poser la chaîne correctement dans le guide en veillant à ne pas la tordre.

12

- Fixez le cordon **O** de déverrouillage d'urgence.
- Posez le couvercle **N** du pignon.

Montage



13

- Montez la cornière servant à fixer la feuillure de porte **K** contre l'encadrement.
 - Fixez les vis à l'horizontale ou à la verticale.



14

- Suivant la situation d'incorporation, montez la cornière de retenue **L** contre le plafond ou le linteau (voir «Situations d'incorporation et exemples»). Profondeur de perçage des trous : 5,3 cm.

15

- Retirez la coiffe.
- Reliez la téléouverture avec la cornière de retenue.
 - Serrez les vis mais pas trop. La vis peut conserver un certain jeu vu que l'écrou est autobloquant.

16

- Fixez le bloc d'entraînement contre le plafond. Profondeur de perçage des trous : 5,3 cm.
 - Veillez à ce que le bloc d'entraînement soit bien aligné sur le milieu de la porte du garage (référez-vous pour ce faire à la cornière de fixation **K** contre la porte).

17

- Reliez le bras de guidage **M** avec la cornière de fixation de la porte (à l'aide de **Q** et **Y**) et avec le chariot. Les vis pourront avoir du jeu vu que les écrous sont autobloquants.

Dans le cas des portes ne comportant pas de butée mécanique fin de course robuste, montez comme suit la cornière-butée fin de course **Z** :

- Ouvrez la porte du garage en grand. La position de montage de la cornière-butée fin de course se situe directement derrière le chariot lorsque la porte est ouverte en grand.
- Marquez l'emplacement des trous de perçage puis percez avec une mèche à métaux de 3,6 mm de diamètre.
- Montez la cornière-butée fin de course à l'aide de vis à tôle **ZZ**.

- A la main, vérifiez le déplacement de la porte. Pour ce faire, le chariot doit se trouver en position déverrouillée.

- Ouvrez et fermez la porte du garage en grand.

18

- Porte du garage fermée, préparez la téléouverture en vue de l'accouplement. Pour ce faire, poussez le levier en plastique vers le bas. Le déverrouillage est supprimé dès que le levier métallique décrante. Ensuite, amenez à la main la porte du garage en position «Position porte ouverte», avec pour effet que le chariot s'accouple au taquet entraîneur.

Instructions de réglage

Mise en service



Risque de blessures !

Lors de la mise en service et des réglages, éloignez toutes personnes et objets de l'aire sur laquelle bascule la porte du garage.

Remarque :

L'éclairage intégré de la téléouverture peut fortement échauffer son couvercle s'il reste allumé en permanence. Pour ce faire, effectuez la mise en service sans ce couvercle.

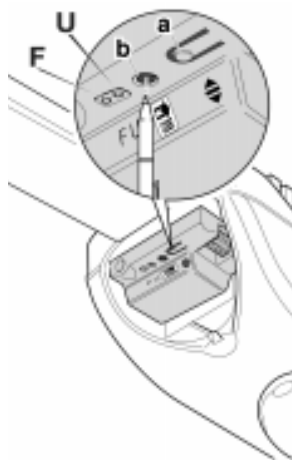
- Branchez la fiche mâle dans la prise de courant. L'éclairage intégré reste allumé en permanence.
- Vérifiez si le taquet entraîneur que comporte la chaîne a encrêté dans le chariot. La porte du garage doit refuser de se laisser déplacer à la main.

F Diode lumineuse ; elle s'allume à réception d'un signal radio

U Diode lumineuse ; elle s'allume en présence de la tension du secteur

a Touche de commande

b Touche de programmation



Régler / modifier les fins de course de la porte du garage

Cette opération comprend toujours le réglage de la fin de course supérieure et celui de la fin de course inférieure, ainsi qu'un essai de marche.

Nous entendons par fin de course supérieure la position du chariot une fois la porte ouverte en grand.

Nous entendons par fin de course inférieure la position du chariot une fois la porte complètement fermée.

Il faut réaliser la séquence de réglage selon la chronologie spécifiée. Cette séquence est terminée une fois que l'éclairage de la téléouverture s'éteint. Ensuite seulement vous pourrez «enregistrer» la télécommande dans la radiocommande.



Prudence !

Il faut qu'une robuste butée fin de course limite la course de la porte (fin de course supérieure) sinon la téléouverture continuera de progresser et risque d'endommager le mécanisme de la porte.

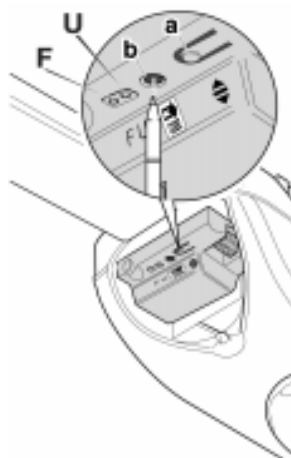


Remarque :

N'appuyez que légèrement sur la touche de programmation (par ex. avec un stylo bille).

Si vous voulez interrompre la séquence de réglage, débranchez la fiche mâle de la prise de courant. Une fois la fiche mâle de nouveau réenfichée, il faudra reprendre la séquence de réglage depuis le début.

L'écart minimum entre la fin de course supérieure et la fin de course inférieure fait 30 cm. Impossible de programmer un écart plus petit.



1. Régler la fin de course supérieure

- Appuyez sur la touche de programmation **b** pendant 2 secondes minimum (servez-vous d'un stylo bille), ceci jusqu'à ce que l'éclairage de la téléouverture s'éteigne.
 - L'éclairage de la téléouverture se rallume.
 - Si l'éclairage clignote, c'est que vous avez appuyé trop brièvement sur la touche de programmation. Dans ce cas, débranchez la fiche mâle de la prise de courant puis rebranchez-la. Reprenez depuis le début le réglage des fins de course.
- Appuyez brièvement sur la touche de commande **a** pendant env. 1 seconde.
 - La porte du garage se déplace dans le sens «Ouverture de porte» jusqu'à la butée fin de course mécanique, puis elle revient en arrière sur env. 5 cm.
 - Vous pouvez corriger cette position. Pour ce faire, appuyez sur la touche de commande **a** et maintenez-la appuyée jusqu'à avoir atteint la position voulue. La porte change de sens de déplacement à chaque pression sur la touche.
- Une fois que vous avez réglé la position de fin de course voulue :
 - Appuyez sur la touche de programmation **b** jusqu'à ce que l'éclairage de la téléouverture s'éteigne.
 - L'éclairage de la téléouverture se rallume.

La téléouverture mémorise la position de la fin de course supérieure.

2. Régler la fin de course inférieure

- Appuyez sur la touche de commande **a** et maintenez-la appuyée jusqu'à ce que la porte du garage soit entièrement fermée (butée mécanique).
 - Vous pouvez, si nécessaire, modifier la position de la fin de course inférieure à l'aide de la touche **a**.
 - Pour ménager le mécanisme de la porte, réglez la fin de course inférieure de sorte à empêcher que la porte appuie trop fortement contre la butée mécanique.
- Appuyez sur la touche de programmation **b** jusqu'à ce que l'éclairage de la téléouverture s'éteigne.
 - L'éclairage de la téléouverture se rallume.

La téléouverture mémorise la position de la fin de course inférieure.

3. Effectuer un essai de marche

- Appuyez brièvement sur la touche de commande **a** et attendez que la porte du garage se soit ouverte en grand.
- Appuyez à nouveau sur la touche de commande **a** et attendez que la porte se soit complètement refermée.
 - L'éclairage s'éteint.

La séquence de réglage est terminée. Si l'essai de marche ne s'est pas déroulé correctement, il faudra répéter l'intégralité de la séquence de réglage. L'essai de marche ne sera complet que s'il s'est déroulé sans interruption. Pendant l'essai de marche, la téléouverture développe sa force maximale et détermine automatiquement, de façon autodidacte, l'intensité de la force nécessaire pour ouvrir et fermer la porte. Au cours de chaque déplacement suivant de la porte, la téléouverture rectifie automatiquement cette force (c'est important par ex. en hiver ou lorsque la porte développe une certaine résistance au déplacement).

Programmation de la télécommande

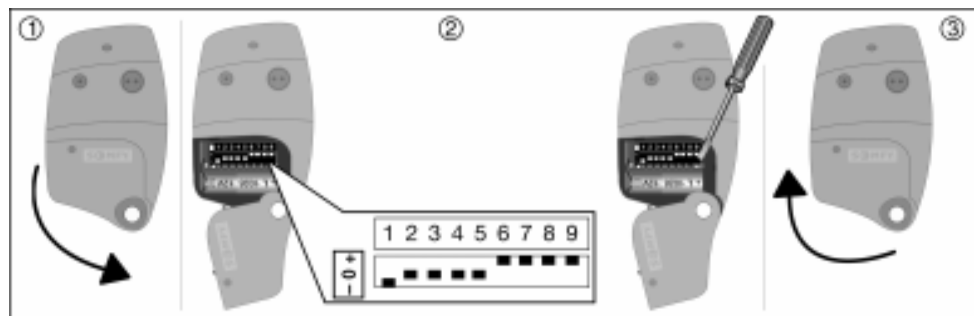
1. Régler le code de sécurité



Remarque relative au Somfy Security System :

Pour des raisons de sécurité, il faut qu'au moins un commutateur se trouve sur + ou 0, afin qu'il soit possible de programmer la télécommande à proximité de la téléouverture. En d'autres termes, le code de sécurité «-----» n'est pas valable.

Codez votre télécommande à l'aide de votre code de sécurité personnel. Pour ce faire :

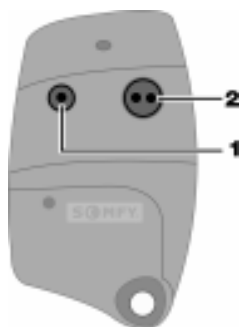


- Tirez le couvercle de la télécommande (1).
- A l'aide d'un tournevis par ex., programmez le code voulu (2).
 - Amenez un nombre librement choisi de commutateurs 1 à 9 sur la position + / – ou 0.
- Refermez la télécommande (3).

Maintenant, vous pouvez programmer la télécommande à proximité de la téléouverture.

2. Programmer la/les télécommande(s) à proximité de la téléouverture

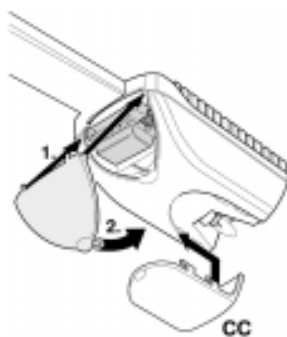
Avant de commencer la programmation des télécommandes, définissez l'une des deux touches **1** ou **2** de la télécommande comme touche de commande. Ensuite, seule cette touche vous permettra de commander la téléouverture pour porte de garage. Dans la suite du descriptif, nous appellerons cette touche «touche 1».



- Sur la téléouverture, appuyez brièvement (env. 1 sec) sur la touche de programmation **b**.
 - L'éclairage de la téléouverture clignote.
 - Si l'éclairage reste allumé en permanence, ceci signifie que vous avez appuyé trop longtemps sur la touche de programmation. Dans ce cas, débranchez la fiche mâle de la prise de courant puis rebranchez-la. Répétez tout le contenu de cette section intitulée «Programmation de la télécommande».
- Sur la télécommande, appuyez pendant 2 secondes minimum sur la touche que vous avez définie comme touche 1, jusqu'à ce que l'éclairage de la téléouverture s'éteigne puis qu'il se remette à clignoter.
- Sur la télécommande toujours, appuyez à nouveau env. 2 secondes sur la même touche jusqu'à ce que l'éclairage s'éteigne et qu'il se rallume brièvement.

Vous venez de programmer la télécommande dans la radiocommande de la téléouverture.

- Une fois la séquence de programmation terminée, remettez les couvercles sur les circuits électroniques et sur l'éclairage **CC** de la téléouverture.



3. Autres télécommandes

Après avoir programmé une télécommande, vous pouvez aussi en utiliser d'autres sans devoir les programmer, mais aux conditions suivantes :

- Il faut régler chaque télécommande sur le même code de sécurité.
- Il faut, sur ces télécommandes supplémentaires, que la touche de commande soit la même (touche 1 dans notre exemple).

4. Effacement de la programmation de la télécommande

L'effacement de la programmation a lieu lors de la programmation de nouvelles valeurs «sur» les anciennes.

Vous effacez la programmation

- Lorsque vous définissez une nouvelle touche de commande sur la télécommande, ou
- Lorsque vous communiquez, par la télécommande, un nouveau code de sécurité à la radiocommande (voir «Régler le code de sécurité»).



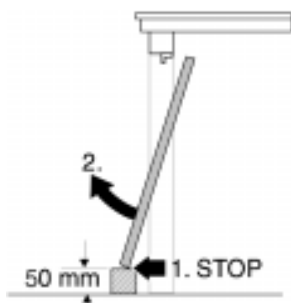
Remarque :

L'effacement des valeurs sur une télécommande provoque leur effacement sur toutes les autres télécommandes programmées sur le même code de sécurité et/ou la même touche de commande.

Vérifier le fonctionnement de la détection des obstacles

Lors de la mise en service et ensuite une fois par mois :

- Placez un objet approprié, haut de 50 mm minimum (par ex. un madrier) sur la trajectoire de la porte du garage (pendant que celle-ci décrit un mouvement de fermeture).
- Faites démarrer la téléouverture.
 - Lorsque la porte heurte l'objet, elle s'immobilise, repart en arrière jusqu'à la butée mécanique fin de course supérieure, puis revient jusqu'à la position fin de course supérieure programmée.
 - L'éclairage de la téléouverture clignote au rythme d'une fois par seconde.
- Le fait de faire démarrer à nouveau la téléouverture stoppe le clignotement.
 - Si le clignotement ne cesse pas, veuillez s.v.p. appeler le service après-vente.



Branchement des accessoires

Préparatifs



Risque d'électrocution

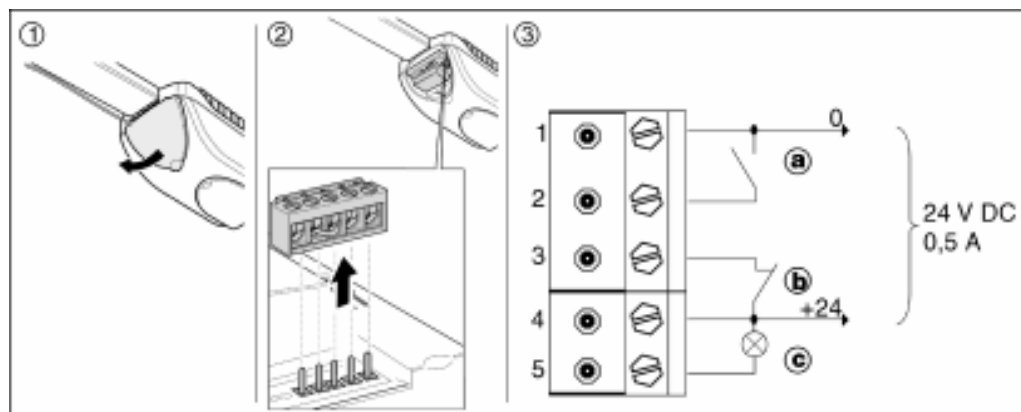
Avant de brancher des accessoires, débranchez la fiche mâle de la prise de courant.



Prudence !

Ne branchez que des accessoires d'origine en vous conformant à leur notice d'instructions. Les contacts sont exempts de potentiel. Ne leur raccordez aucune tension étrangère.

- Retirez le couvercle protégeant les circuits électroniques (1).



- Pour raccorder les fils aux bornes, retirez la barrette à bornes (2).

Affectation des bornes (3) :

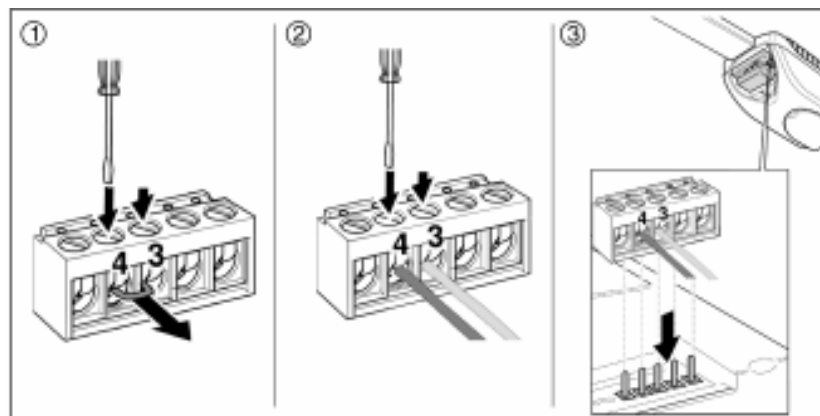
- **a** Branchement de la touche
- **b** Branchement du barrage photo-électrique
- **c** Branchement du feu d'avertissement

Barrage photo-électrique, contact pour porte d'accès intégrée, barre à contact de sécurité



Attention !

Ne confiez le raccordement des accessoires de sécurité qu'à une entreprise spécialisée.



- Ouvrez les bornes de branchement 3 et 4 (à l'aide d'un petit tournevis) (1). Enlevez le fil de pontage.
- Branchez les fils de raccordement aux bornes 3 et 4, revissez les bornes à fond (2).
- Remettez la barrette à bornes en place (3).
- Branchez la fiche mâle dans la prise de courant puis vérifiez le fonctionnement.



Remarque :

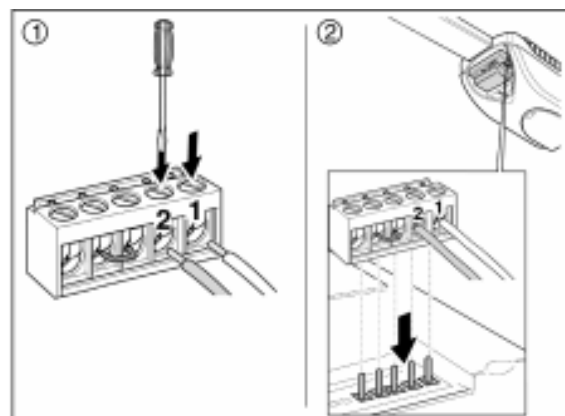
Si vous utilisez plusieurs accessoires de sécurité, il faudra les connecter en série.

Bouton-poussoir intérieur, bouton-poussoir de programmation, bouton-poussoir à clé



Fixez ces boutons-poussoirs :

- Dans le champ de visibilité de la porte.
- A distance des pièces mobiles.
- A 1,5 m de hauteur minimum en ce qui concerne le bouton-poussoir intérieur.
- Ouvrez les bornes de branchement 1 et 2 (servez-vous d'un petit tournevis).



- Insérez les fils de raccordement, vissez chaque borne à fond (1).
- Réenfichez la barrette (2) sur ses broches.
- Branchez la fiche mâle dans la prise de courant puis vérifiez le fonctionnement.



Remarque :

Si vous utilisez plusieurs boutons-poussoirs, il faudra les connecter en parallèle.

Feu d'avertissement

Le feu d'avertissement clignote pendant que la porte du garage se déplace.

- Raccordez ce feu aux bornes 4 et 5 (sortie pour clignotant).

Sortie en 24 V

Cette sortie en 24 V sert à alimenter un barrage photo-électrique ou la barre à contact de sécurité. Le branchement a lieu aux bornes 1 et 4.

Instructions d'utilisation

Ouvrir la porte du garage, la refermer et la stopper en route



Risque de blessures

N'ouvrez ou ne fermez la porte du garage qu'à condition qu'aucune personne ni aucun objet ne se trouve sur l'aire de basculement de la porte.

Si une coupure de courant se produit ou en cas de dérangement dans la téléouverture, n'ouvrez la porte du garage qu'avec le bouton-poussoir intérieur ou le bouton-poussoir d'ouverture d'urgence depuis l'extérieur. Si, une fois actionné le bouton-poussoir de déverrouillage d'urgence depuis l'extérieur, la porte ne se laisse déplacer qu'au prix d'un effort physique accru, faites impérativement appel à un spécialiste en portes de garage.

Dans le véhicule, rangez la télécommande de telle façon que sur la route, lorsque vous freinez par ex., elle ne puisse causer aucun dégât.



Prudence !

La télécommande craint la chaleur (ne l'exposez pas par ex. à l'ensoleillement direct dans le véhicule).

- Braquez la télécommande en direction de la porte du garage puis appuyez sur la touche 1 à 2 secondes, ou
- Appuyez sur le bouton-poussoir (par ex. le bouton-poussoir à clé).
 - L'éclairage de la téléouverture s'allume pendant l'ouverture ou la fermeture, puis reste allumé pendant 60 secondes.



Chronologie des mouvements en cas de déclenchements multiples depuis la télécommande ou le bouton-poussoir :

Ouverture – Arrêt – Fermeture – Arrêt – Ouverture – Arrêt – Fermeture – Arrêt, et ainsi de suite.

Déverrouillage d'urgence depuis l'intérieur

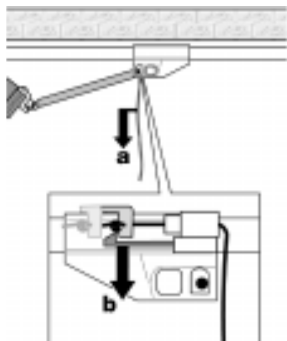
En cas d'urgence ou si une coupure de courant s'est produite, vous pouvez débrayer la porte du garage de la téléouverture puis ouvrir la porte de l'intérieur (à la main).



Risque de blessures

Lors de ce débrayage, la porte du garage ouverte risque de retomber brutalement du fait que les ressorts sont trop faibles ou qu'ils ont cassé, ou en raison d'un mauvais équilibre de la porte.

- Déverrouillez la téléouverture de la porte : tirez pour ce faire le cordon **a**.
 - Le levier encrante et la porte du garage se laisse ouvrir à la main.
- Préparez la téléouverture au réembrayage : poussez le levier en plastique **b** vers le bas.
- Ensuite, ramenez la porte du garage à la main en position de départ.
 - Au cours de l'opération de réembrayage, vous entendrez un « clic » bien audible.



Changement de la batterie équipant la télécommande



Prudence !

Danger en cas de remplacement inexpert de la batterie. Remplacez-la uniquement par une batterie du même type. N'utilisez que des batteries étanches.

Les batteries usagées menacent l'environnement !

Ne jetez jamais les batteries usagées à la poubelle des déchets ménagers. Veillez au contraire à les éliminer en respectant l'environnement. Respectez les indications fournies par leur fabricant.



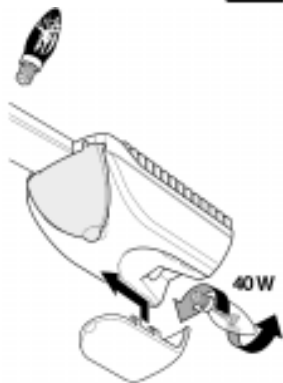
- Remplacez la batterie usagée par une batterie neuve.
 - Type de batterie : L1028 / 12 V.

Remplacement de l'ampoule à incandescence



Risque d'électrocution !

Avant de défaire l'ampoule, débranchez la fiche mâle de la prise de courant.



- Détachez le couvercle de cette ampoule équipant la téléouverture.
- Remplacez l'ampoule usagée par une neuve (40 W max., douille E14).
- Remontez le couvercle, faites-le encranter.
- Rebranchez la fiche mâle dans la prise de courant.

Vérification régulière



Attention !

Pendant que des travaux de réparation ou de réglage se déroulent sur le mécanisme de la porte proprement dite, ne vous servez pas de la téléouverture vu que des défauts dans la téléouverture ou une porte mal équilibrée peuvent occasionner des blessures.

- Une fois par mois, vérifiez les fonctions suivantes :
 - Contrôlez le fonctionnement de tous les accessoires incorporés (et notamment des équipements de sécurité).
 - Le fonctionnement de tous les accessoires incorporés (et notamment des équipements de sécurité).
- Vérifiez le bon fonctionnement mécanique de toute l'installation (la porte et la téléouverture). Contrôlez-en l'usure, la présence de dégâts notamment sur les ressorts et les pièces de fixation), contrôlez également l'installation électrique.

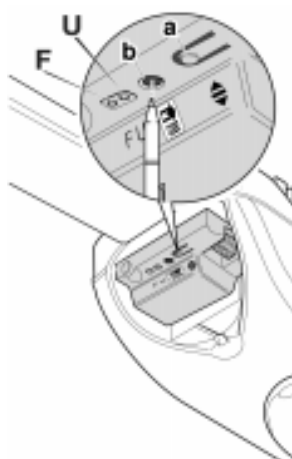
Que se passe-t-il en cas de coupure de l'alimentation électrique ?

- L'éclairage de la téléouverture s'allume pendant 1 seconde une fois le courant revenu.
- A réception de la première impulsion de commande, la porte du garage se rend jusque contre la butée mécanique fin de course supérieure (laquelle sert de point de référence). Ensuite, la porte revient jusque sur la position fin de course supérieure programmée.
- Si ensuite l'éclairage de la téléouverture reste allumé en permanence, refaites toute la procédure de mise en service.

Dérangements et remèdes

Remédier soi-même aux dérangements

Dérangement	Cause possible	Remède
Signalisation optique : l'éclairage reste allumé en permanence après que vous avez branché la fiche mâle dans la prise de courant, ou pendant la mise en service.	Réglage des fins de course et/ ou test de marche pas encore terminé.	Réinitialisez avec la fiche mâle : débranchez-la de la prise de secteur puis rebranchez-la. Effectuez le réglage des fins de course conformément aux instructions d'utilisation.
L'éclairage de la téléouverture clignote régulièrement (une fois par seconde).	Présence d'un obstacle (la téléouverture a par ex. détecté un obstacle, ou un équipement de sécurité (barrage photo-électrique, contact de la porte d'accès) a provoqué l'arrêt.	Enlevez l'obstacle, ouvrez / fermez la porte du garage.
L'éclairage de la téléouverture clignote irrégulièrement (éteint 3 secondes / allumé 1 seconde).	Pendant la surveillance des composants électroniques, la commande électronique a détecté une anomalie.	Réinitialisez : appuyez simultanément sur la touche de commande a et la touche de programmation b pendant 5 secondes. (L'éclairage de la téléouverture clignote). La téléouverture confirme la réinitialisation en laissant l'éclairage constamment allumé. Réglez à nouveau les fins de course et effectuez un test de marche. Ceci n'efface pas la programmation des télécommandes. Si l'éclairage de la téléouverture se remet à clignoter de façon irrégulière pendant la programmation des fins de course, veuillez appeler le service après-vente
L'éclairage de la téléouverture ne s'allume pas.	Ampoule défectueuse.	Changez-la.
La téléouverture pour porte de garage ne fonctionne pas lorsque vous utilisez la télécommande.	Batterie de la télécommande épuisée / insérée à l'envers.	Vérifiez la batterie, changez la batterie si nécessaire.
	Le récepteur de la radio-commande n'a pas encore reçu le code de la télécommande.	Effectuez la procédure d'enregistrement de la télécommande.
	Réglage des fins de course, test de marche pas terminés.	Effectuez et achevez le réglage des fins de course et le test de marche. Enregistrez ensuite la télécommande.
La téléouverture n'ouvre / ne ferme pas complètement la porte du garage.	Mécanisme de la porte endommagé.	Vérifiez le mécanisme de la porte. Confiez sa remise en état à un spécialiste en portes de garage.
	Des circonstances extérieures défavorables (forte pluie par ex.) ont alourdi la porte. La téléouverture interprète cet alourdissement comme le heurt d'un obstacle.	Réglez à nouveau les fins de course et effectuez un test de marche. Ceci n'efface pas la programmation des télécommandes. Si le dérangement persiste, appelez le service après-vente.
	Absence de tension du secteur (la diode lumineuse U ne s'allume pas).	Faites vérifier par un spécialiste si la prise femelle du secteur se trouve bien sous tension.



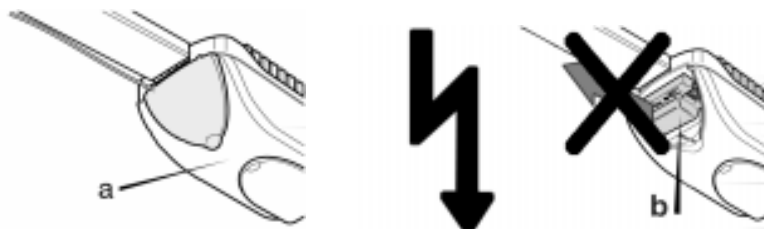
Service après-vente

La suppression des dérangements situés dans les circuits en 230 volts est réservée à un électricien agréé ou à un concessionnaire du service après-vente. Si les dérangements se produisent de façon répétitive ou si d'autres surviennent, veuillez vous adresser au concessionnaire le plus proche chargé du service après-vente.



Attention !

Seul un spécialiste qui respectera ce faisant la norme VDE 0100 est habilité à retirer le couvercle (a) (risque d'électrocution !). Le bénéfice de la garantie est perdu en cas de non observation de cette instruction.



Risque d'électrocution !

Les travaux sur les circuits électroniques de commande (b) ne pourront avoir lieu qu'hors tension. Ne tentez pas d'extraire le module de commande électronique !

Accessoires

Vous pouvez vous procurer les accessoires suivants dans le commerce spécialisé. Votre revendeur de téléouvertures SOMFY se fera un plaisir de vous fournir des renseignements avancés.

Ces accessoires sont synonymes d'un supplément de sécurité

	N° de réf. SOMFY	Remarque
Déverrouillage d'urgence de l'extérieur – pour portes oscillantes / sectionnées et basculantes – pour tous les types de porte courants, avec et sans poignée (serrure de déverrouillage d'urgence)	9 000 018 9 000 032	En l'absence d'un second accès au garage, il faudra impérativement monter un dispositif de déverrouillage d'urgence de l'extérieur. Ceci permettra d'ouvrir (à la main) la porte du garage depuis l'extérieur, par ex. en cas de coupure de courant / de dérangements.
Contact pour porte intégrée	9 000 007	Ce contact empêche, lorsque la porte intégrée est ouverte (petite porte intégrée dans la grande), que la téléouverture fasse entrer la grande porte en mouvement.
Verrouillage au sol	9 000 003*	
Kit de verrouillage sans loquet de verrouillage	9 000 019*	
Verrouillage latéral de la porte	9 000 004*	
Barrage photo-électrique	9 000 025	Tout objet coupant le faisceau lumineux provoque l'immobilisation de la porte. Si la porte était en train de se fermer, elle repart en arrière pour libérer l'obstacle.
Feu d'avertissement	9 000 030	

* Cet accessoire requiert un bras de guidage supplémentaire (n° de réf. 9 000 002).

Accessoires destinés à accroître le confort de commande

	N° de réf. SOMFY	Remarque
Bouton-poussoir à clé sur / sous crépi	9 000 021	
Bouton-poussoir intérieur	9 000 008	
Bouton-poussoir de programmation	9 000 028	
Télécommande à 2 canaux, gris clair	1 800 037	433,42 MHz
Télécommande à 4 canaux, Fun	1 800 035	433,42 MHz
Télécommande à 4 canaux, gris foncé	1 800 029	433,42 MHz

Accessoires destinés à des conditions d'incorporation spéciales

	N° de réf. SOMFY	Remarque
Cornière de suspension au plafond	9 000 034	Pour suspendre sous plafond jusqu'à 270 mm max. de celui-ci.
Rail ajouré pour suspendre la téléouverture	9 000 001	Longueur totale 1 m, pour suspendre sous plafond jusqu'à 400 mm max. de celui-ci.
Suspension télescopique au plafond	9 000 042	Pour suspendre sous plafond jusqu'à 1.500 mm max. de celui-ci.
Rallonge pour bras de guidage	9 000 006*	Utilisation en présence d'un linteau large (jusqu'à 400 mm max.), lorsque le bras de guidage applique contre le linteau.
Barre rallonge	9 000 005*	Nécessaire en présence d'un écart trop faible entre le bord supérieur de la porte et le plafond du garage, et si la téléouverture a été placée complètement à l'arrière du garage (jusqu'à 2,5 m max.).
Garniture pour porte à battants	9 000 009	Largeur max. des battants : 1,5 m par battant. Voir remarques supplémentaires à la section «Domaine d'utilisation».
Garniture pour porte sectionnée	9 000 016	Pour segments de porte faisant entre 300 et 500 mm de haut.
Etrier de fixation	9 000 040	Pour renforcer le segment supérieur de la porte sectionnée.
Gras de guidage incurvé	9 000 023	Pour portes sectionnées, lorsque le rail de retenue et de fixation contre le segment de porte n'est pas nécessaire.
Bras de levage	9 000 015	Pour portes basculantes à rails de roulement verticaux.
Kit de rallonges de rails	9 000 031	Rallongement de 700 mm max.

* Cet accessoire requiert un bras de guidage supplémentaire (n° de réf. 9 000 002).

Déclaration du fabricant



(Voir page 230)

Le fabricant, la société SOMFY GmbH, domicilié Felix-Wankel-Strasse 50 à D-72108 Rottenburg a. N., déclare par la présente ceci :

Les téléouvertures du type KEASY L+ et KEASY XL+ satisfont à la directive communautaire sur les machines 99/5/CE, 98/37/CE conformément aux normes DIN EN 12453:2001, DIN EN 60335-1:1995, E DIN EN 60335-2-95:2001.

Remarque :

La mise en service de l'installation de porte dans laquelle doit être incorporée cette téléouverture est interdite tant qu'il n'a pas été constaté que ladite installation de porte se conforme à la directive 98/37/CE.

Rottenburg, le 16 février 2004.

Le Directeur du Centre de Design
p.d. Dieter Thomas

Inhalt

Inhalt.....	38
Verwendete Symbole in dieser Anleitung.....	39
Entsorgungshinweise.....	39
Zu Ihrer Sicherheit	40
Bestimmungsgemäße Verwendung	40
Wichtige Sicherheitsanweisungen.....	40
Hinweis für Träger von Herzschrittmachern	40
Sicherheitseinrichtungen	40
Einbauvorbereitung	41
Auf einen Blick.....	41
Technische Daten	41
Verwendbarkeit	42
Maximale Garagentormaße.....	42
Sturz- und Deckenstabilität der Garage	42
Vorhandene Tormechanik	42
Netzanschluss	42
Zusätzliche Sicherheitseinrichtungen.....	43
Montageanleitung	43
Wichtige Anweisungen für sichere Montage	43
Packungsinhalt prüfen.....	43
Einbausituationen/-beispiele	44
Garagentorantrieb vormontieren	44
Montage	44
Einstellanleitung	45
Inbetriebnahme	45
Endlagen des Garagentores einstellen/ändern	46
Handsender einlernen	47
Hinderniserkennung prüfen	48
Zubehör anschließen	48
Vorbereitung.....	48
Lichtschanke, Schlupftürkontakt, Sicherheitskontaktleiste.....	49
Innen-, Code-, Schlüsseltaster	49
Warnleuchte	50
24 V-Ausgang.....	50
Bedienungsanleitung.....	50
Garagentor öffnen, schließen oder stoppen.....	50
Innen-Notentriegelung.....	50
Batterie am Handsender austauschen	51
Glühlampe austauschen.....	51
Regelmäßig prüfen.....	51
Was passiert, wenn die Stromversorgung unterbrochen wurde?.....	51
Abhilfe bei Funktionsstörungen	52
Störungen selbst beheben	52
Kundendienst	53
Zubehör.....	53
Zubehör für zusätzliche Sicherheit	53
Zubehör für höheren Bedienkomfort	54
Zubehör für besondere Einbaubedingungen.....	54
Herstellereklärung	54

Verwendete Symbole in dieser Anleitung



Achtung! Wichtiger Sicherheitshinweis.

Für die Sicherheit von Personen ist es lebenswichtig, diese Hinweise zu beachten.



Vorsicht! Sicherheitshinweis.

Bei Nichtbeachtung drohen Verletzung oder Sachschäden.



Hinweis:

Bezeichnet Anwendungstipps und wichtige Informationen.



Stromschlaggefahr!

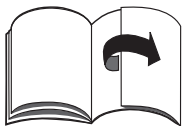
Vor allen Arbeiten Netzstecker ziehen.



Verwendung nur in trockenen Räumen.



Ausklappseiten vorn aufschlagen.



Ausklappseiten hinten aufschlagen.



Gibt die zu einer Anweisungen gehörende Bild-Nummer auf den Ausklappseiten an.

- Der Punkt bezeichnet eine Handlungsanweisung!
 - Mit dem Strich wird auf Punkte hingewiesen, die besonders zu beachten sind.

Entsorgungshinweise



Bitte beachten, wenn Sie einen vorhandenen Torantrieb ersetzen:

- Altgeräte sind kein wertloser Abfall. Durch umweltgerechte Entsorgung können wertvolle Rohstoffe wiedergewonnen werden.

Zum Schutz Ihres neuen Torantriebes vor Rostbefall bei Transport und Lagerung sind einige Teile mit Öl versehen. Entsorgen Sie die bei der Montage anfallenden ölverschmutzten Teile der Verpackung und Putzlappen umweltgerecht.

Die eingesetzten Verpackungsmaterialien sind umweltverträglich und wieder verwertbar. Entsorgen Sie die Verpackung umweltgerecht.

Die Batterien der Fernbedienung gehören nicht in den Hausmüll.

Über aktuelle Entsorgungswege informieren Sie sich bei Ihrem Fachhändler oder bei der Gemeindeverwaltung.

Zu Ihrer Sicherheit

Bestimmungsgemäße Verwendung

Der Antrieb ist geeignet für Tore nach EN 12604 bzw. EN 13241 unter Berücksichtigung der Betriebskräfte und Beachtung der Gebrauchsanweisung.

Verwenden Sie diesen Garagentorantrieb ausschließlich



- zum automatischen Öffnen und Schließen von Garagentoren.
- in trockenen Räumen.
- im privaten Bereich.
- entsprechend den in dieser Gebrauchsanweisung gegebenen Beschreibungen und Sicherheitshinweisen.

Jeder andere Gebrauch gilt als nicht bestimmungsgemäß.

Wichtige Sicherheitsanweisungen



Achtung!

Für die Sicherheit von Personen ist es lebenswichtig, alle Anweisungen zu befolgen:

- Diese Anweisungen aufbewahren und bei einem Besitzerwechsel dem Nachbesitzer übergeben. Lesen Sie diese Anleitung vor der Montage vollständig durch und beachten Sie insbesondere die Sicherheitshinweise.
- Führen Sie die Arbeitsschritte in der beschriebenen Reihenfolge durch und machen Sie sich mit der Bedienung vertraut.
- Verwenden Sie ausschließlich beigefügtes oder empfohlenes Befestigungsmaterial, Original-Ersatzteile und -Zubehör.
- Weisen Sie alle Benutzer nach der Inbetriebnahme in die Funktion und Bedienung des Garagentorantriebes ein.
- An den Schließkanten und der Mechanik des Garagentores besteht Quetsch- und Schergefahr. Öffnen und schließen Sie das Garagentor nur, wenn Sie den Schwenkbereich einsehen können und sich dort keine Personen aufhalten.
- Bewahren Sie den Handsender so auf, dass ungewollter Betrieb, z.B. durch spielende Kinder, ausgeschlossen ist.
- Torantrieb nur an korrekt ausgerichteten und gewichtsausgeglichenen Garagentoren montieren. Ein falsch ausgerichtetes Tor könnte Verletzungen verursachen.
- Vor Arbeiten am Tor oder Torantrieb immer Netzstecker ziehen.
- Beschädigtes Netzkabel umgehend austauschen lassen (nur durch Elektro-Fachkraft).
- Nie in laufendes Tor oder bewegte Teile greifen.



Hinweis für Träger von Herzschrittmachern

Die Sendeleistung des Handsenders liegt innerhalb der einschlägigen Normen und ist grundsätzlich unbedenklich. Zum Ausschließen eines geringen Restrisikos empfehlen wir vorsorglich, den Handsender nicht direkt am Körper zu betätigen. Zu Ihrer Sicherheit Handsender mit gestrecktem Arm in Richtung Garagentor halten und betätigen.

Sicherheitseinrichtungen



Sicherheitseinrichtungen schützen vor Verletzung und Sachbeschädigung.

Sicherheitseinrichtungen nie außer Kraft setzen oder vorsätzlich umgehen.

Automatische Hinderniserkennung

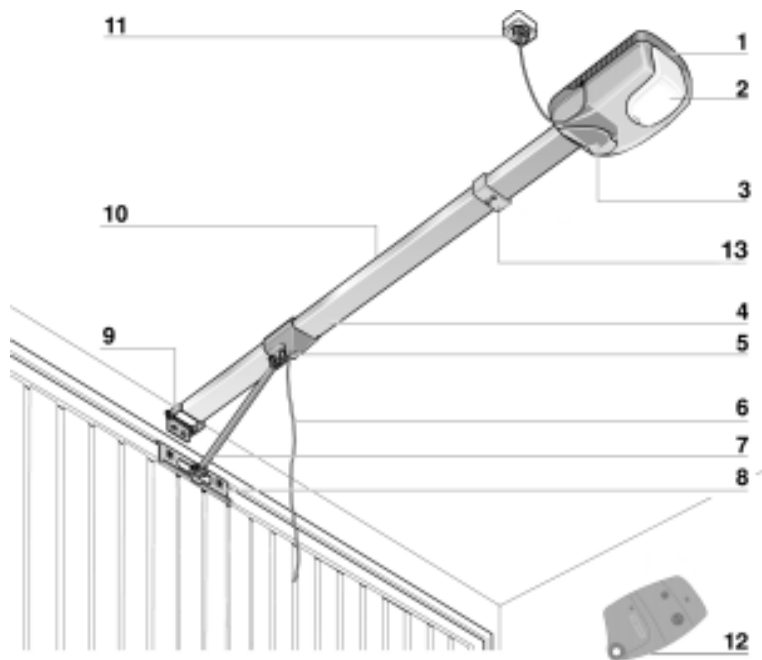
Beim Auffahren auf ein Hindernis bei der Tor-Auf-Bewegung stoppt die Garagentor-Bewegung.

Beim Auffahren bei der Tor-Zu-Bewegung wird das Hindernis anschließend freigegeben, das Garagentor läuft bis zum oberen mechanischen Endanschlag (Bezugspunkt) und dann bis zur programmierten oberen Endlage zurück.

- Funktion mindestens einmal monatlich prüfen (siehe Kapitel „Inbetriebnahme“).

Zusätzlich empfehlen wir den Einbau weiterer Sicherheitseinrichtungen (siehe „Zubehör“).

Auf einen Blick



- | | |
|--------------------------|--|
| 1. Antriebskopf | 8. Befestigungswinkel Torblatt |
| 2. Antriebsbeleuchtung | 9. Haltewinkel Sturz/Decke |
| 3. Elektronik | 10. Kette mit Kettenumlenkung (verdeckt) |
| 4. Laufschiene | 11. Netzstecker |
| 5. Laufwagen | 12. Handsender |
| 6. Innen-Notentriegelung | 13. Mechanischer Endanschlag |
| 7. Führungsarm | |

Technische Daten



	KEASY L ⁺	KEASY XL ⁺
Gewicht	~ 15 kg	~ 15 kg
Druck-/Zugkraft	bis 500 N stufenlos ¹⁾	bis 700 N stufenlos ¹⁾
Softstart/Softstopp	ja, stufenlos	ja, stufenlos
Temperaturbereich	-20 °C.....+50 °C	-20 °C.....+50 °C
Abmessungen		
Einbaulänge	3,30 m	3,30 m
Hublänge	2,50 m ²⁾	2,50 m ²⁾
Elektrik		
Stromversorgung	230 V/50 Hz~	230 V/50 Hz~
Max. Leistungsaufnahme	300 W	300 W
Standby-Verbrauch	< 4 W	< 4 W
Schutzart	IP 20	IP 20
Betriebsart	S2 Kurzzeitbetrieb	S2 Kurzzeitbetrieb
Glühlampe	max. 40 W/E14	max. 40 W/E14
Funkfrequenz	UKW 433,42 MHz	UKW 433,42 MHz

CE 06810

1) selbstlernend
2) 3,00 m mit Schienenverlängerung

Verwendbarkeit

KEASY L⁺ / KEASY XL⁺

Verwendbar für:

- Schwingtore
 - Decken-Sektionaltore (Sektionaltor-Beschlag erforderlich, siehe „Zubehör“)
 - Flügeltore (Flügelator-Beschlag erforderlich, siehe „Zubehör“)
- Zusätzlich muss die Laufrichtung des Antriebes geändert werden. Die dazu notwendigen Informationen erhalten Sie über Ihren Fachhändler oder den nächstgelegenen Vertragskundendienst. (Siehe auch Gebrauchsanweisung für den Flügelatorbeschlag)

KEASY XL⁺

Verwendbar für:

- Kipptore (Hubarm erforderlich, siehe „Zubehör“).
- Seiten-Sektionaltore (Beschlag erforderlich).

Maximale Garagentormäße

	KEASY L ⁺	KEASY XL ⁺
Flächen		
leichte Tore, z. B. Blechtore	bis 7,5 m ²	bis 12,0 m ²
schwere Tore, z. B. Holztore	bis 6,0 m ²	bis 7,5 m ²
Höhen		
Decken-Sektionaltore	bis 2,3 m	bis 2,3 m
übrige Garagentore	bis 2,3 m	bis 2,3 m
mit Schienenverlängerungs- satz (siehe „Zubehör“)	über 2,3 bis 3,0 m	über 2,3 bis 3,0 m

Sturz- und Deckenstabilität der Garage

Mindestbelastbarkeit von Sturz und Decke:

- KEASY L⁺: 700 N
- KEASY XL⁺: 900 N



Deckenstärke beim Bohren beachten (z. B. Betondecken von Fertiggaragen)!

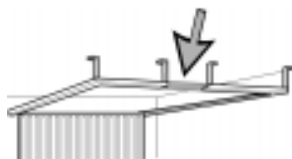
Erforderliche Bohrlochtiefe für die mitgelieferten Dübel und Schrauben: **53 mm**

Im Lieferumfang sind Standard-Markendübel enthalten. Bei Bedarf Spezialdübel verwenden, die für den Untergrund geeignet sind.

Vorhandene Tormechanik

Lässt sich das Garagentor von Hand, ohne zu verkanten, leicht öffnen und schließen? Wenn nicht, Tormechanik durch Garagentor-Fachkraft instandsetzen lassen.

Wenn die Laufschiene des Garagentores mit einer Querverbindung stabilisiert sind, kann der Führungsarm des Garagentorantriebes an dieser Querverbindung anstoßen. In solchen Fällen kann diese durchtrennt und teilweise entfernt werden, siehe Bild-Beispiel. Um die Stabilität wiederherzustellen, verbleibende Teilstücke an der Decke befestigen.



Netzanschluss

Ist ein 230-V-Netzanschluss im erforderlichen Abstand zum Torantrieb vorhanden?

- Länge des Netzkabels: **ca. 1 m**

Wenn nicht, Netzanschluss durch Elektro-Fachkraft verlegen lassen.



Zusätzliche Sicherheitseinrichtungen



Außen-Notentriegelung

Wenn kein zweiter Zugang zur Garage vorhanden ist, muss unbedingt eine Außen-Notentriegelung (siehe „Zubehör“) montiert werden. Damit kann das Garagentor von außen (von Hand) z. B. bei Stromausfall/Störungen geöffnet werden.



Mechanischer Endanschlag

Für die Inbetriebnahme und das einwandfreie Arbeiten nach einem Hindernisfall muss der Lauf des Garagentores unbedingt durch einen festen mechanischen Endanschlag (im Lieferumfang) begrenzt werden.



Torverriegelung

Der Garagentorantrieb ist selbsthemmend und hält das Tor geschlossen. Bestehende Verriegelungen des Garagentores automatisieren (siehe „Zubehör“), entfernen oder außer Betrieb setzen.

Montageanleitung

Wichtige Anweisungen für sichere Montage



Achtung!

Falsche Montage kann zu ernsthaften Verletzungen führen. Alle Montageanweisungen befolgen!
Die Mithilfe einer weiteren Person erleichtert die Montage.



Vorsicht!

Beim Bohren „über Kopf“ Schutzbrille tragen.
Zum Schutz vor Staub Antriebskopf vor dem Bohren abdecken.



Packungsinhalt prüfen

Um ohne Unterbrechung montieren zu können, vor der Montage Packungsinhalt prüfen auf

- Vollständigkeit der Teile,
- ordnungsgemäßen Zustand der Teile.

Beschädigte Teile nicht einbauen! Setzen Sie sich mit Ihrem Fachhändler in Verbindung.



Hinweis:

Schaumstoffteile **AA** dienen zur Geräuschkämpfung der Kette.



Alle für die Montage erforderlichen Werkzeuge bereitlegen.

Einbausituationen/-beispiele

Wo den Haltewinkel Sturz/Decke und den Antriebskopf montieren?

(Am Beispiel eines Schwingtores)



3

Zur optimalen Kraftübertragung sollte der Antrieb grundsätzlich so knapp wie möglich über dem Torhöchstlaufpunkt montiert werden.

- Torhöchstlaufpunkt **a** ermitteln (**a** = minimaler Abstand vom Torblatt zur Garagendecke). Je nach ermitteltem Maß gibt es verschiedene Einbaumöglichkeiten.

4

1. Maß **a** von 38 mm bis 140 mm
 - Garagentorantrieb an die Decke montieren.
 - Montagewinkel Sturz/Decke an Sturz oder Decke (bevorzugt an Sturz) befestigen.
 - Bei Sturzmontage einen Abstand von 15 mm einhalten.

5

2. Maß **a** größer als 140 mm
 - Montagewinkel Sturz/Decke an den Sturz mit Abstand 50 mm zwischen Schieneunterkante und Torhöchstlaufpunkt montieren.
 - Garagentorantrieb an der Decke abhängen (Lochschiene erforderlich, siehe „Zubehör“).

6

3. Maß **a** kleiner als 38 mm
 - Montagewinkel Sturz/Decke und Garagentorantrieb hinter dem geöffneten Garagentor an die Decke montieren (Verlängerungsstange erforderlich, siehe „Zubehör“). Gesamtlänge beachten.

Garagentorantrieb vormontieren



7

- Schienenverbindungsstücke **B** bis an die Anschläge in die Führungsschiene **A** einschieben und Führungsschieneanteile zusammenstecken.
- Die weißen Schaumstoffeinlagen zur Geräuschdämpfung **AA** am Falz knicken.
- Geräuschdämpfer in die Mitte der 4 Führungsschienen **A** einklemmen.
- Vormontierte Führungsschiene an Antriebskopf **C** einschieben.

8

- Laufwagen **D** auf die Laufschiene schieben.
- Vordere Kettenumlenkung **E, F, G** zusammenstecken und in die Laufschiene einschieben.

9

- Zum einfacheren Abwickeln der Kette **J** kann der Deckel der Kleinteilverpackung abgetrennt und als Unterlage verwendet werden.
- Überschüssiges Öl an der Kette mit einem Lappen abwischen.

10

- Kette in die Laufschiene abwickeln.
 - Unbedingt Kette durch den Laufwagen **D** auf der Mitnehmerseite **I** fädeln. Dazu Laufwagen auskoppeln (Metallhebel muss in Kunststoffhebel einrasten).
- Mitnehmer **I** auf beiden Seiten mittels Kettenschloss **H** mit der Kette **J** verbinden.



11

- Zum Einlegen der Kette in die Kettenumlenkung **F** muss die Feder **E** mit Kraft zusammen gedrückt werden. Als Hilfsmittel dazu den Führungsarm **M** verwenden.
 - Die Kette muss richtig in ihre Führung gelegt werden und darf nicht verdreht sein.

12

- Notentriegelungsschnur **O** befestigen.
- Ritzelabdeckung **N** aufsetzen.



13

Montage

- Befestigungswinkel Torblatt **K** am Torblattraahmen montieren.
 - Befestigungsschrauben horizontal oder vertikal anbringen.

14

- Haltewinkel **L** je nach Einbausituation an Decke oder Sturz montieren (siehe „Einbausituationen/-beispiele“). Lochtiefe der Bohrung 5,3 cm.

15

- Abdeckklappe abnehmen.
- Garagentorantrieb mit dem Haltewinkel verbinden.
 - Schraube locker anziehen. Die Schraube darf Spiel haben, da die Mutter selbstsichernd ist.

16

- Antriebskopf an Decke befestigen, Lochtiefe der Bohrung 5,3 cm.
 - Achten Sie auf mittige Ausrichtung des Antriebskopfes zum Garagentor (vergleiche dazu Befestigungswinkel **K** am Torblatt)!

17

- Führungsarm **M** mit dem Befestigungswinkel Torblatt (mittels **Q, Y**) und dem Laufwagen verbinden. Schrauben dürfen Spiel haben, denn die Muttern sind selbstsichernd.

Bei Toren ohne stabilen mechanischen Endanschlag Endanschlagwinkel **Z** folgendermaßen montieren:

- Garagentor ganz öffnen. Die Montageposition des Endanschlagwinkels ist bei ganz geöffnetem Tor direkt hinter dem Laufwagen.
- Bohrlöcher anzeichnen und anschließend mit einem Metallbohrer Ø 3,6 mm bohren.
- Endanschlagwinkel mittels Blechzugschrauben **ZZ** montieren.

- Torlauf von Hand prüfen. Der Laufwagen muss dazu entriegelt sein.
- Garagentor ganz öffnen und schließen.

18

- Garagentorantrieb bei geschlossenem Garagentor zum Einkoppeln vorbereiten, dazu Kunststoffhebel nach unten drücken. Die Entriegelung wird aufgehoben, sobald der Metallhebel ausrastet. Anschließend das Garagentor von Hand in die „Tor-Auf-Stellung“ bringen, d. h. der Laufwagen koppelt am Mitnehmer ein.

Einstellanleitung

Inbetriebnahme



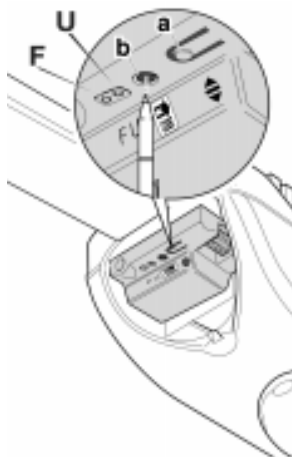
Verletzungsgefahr!

Beim Inbetriebnehmen und Einstellen Personen und Gegenstände vom Schwenkbereich des Garagentores fernhalten.



Hinweis:

Dauerlicht kann die Abdeckung der Antriebsbeleuchtung stark erwärmen. Inbetriebnahme daher ohne Abdeckung durchführen.



- Netzstecker einstecken. Die Antriebsbeleuchtung leuchtet dauernd.
- Prüfen, ob der Mitnehmer an der Kette im Laufwagen eingerastet ist. Garagentor darf sich nicht von Hand bewegen lassen.

- F** Leuchtdiode, leuchtet bei Empfang eines Funksignals
- U** Leuchtdiode, leuchtet bei vorhandener Netzspannung
- a** Bedientaste
- b** Programmiertaste

Endlagen des Garagentores einstellen/ändern

Der Vorgang beinhaltet immer die Einstellung der oberen und unteren Endlage sowie den Testlauf.

Als obere Endlage bezeichnet man die Position des Laufwagens bei vollständig geöffnetem Tor.

Als untere Endlage bezeichnet man die Position des Laufwagens bei vollständig geschlossenem Tor.

Der Einstellvorgang muss in der vorgegebenen Reihenfolge durchgeführt werden und ist abgeschlossen, wenn die Antriebsbeleuchtung erlischt. Erst danach kann der Handsender angemeldet werden.



Vorsicht!

Ein stabiler Endanschlag als Begrenzung des Torlaufweges (obere Endlage) muss vorhanden sein, da sonst der Antrieb beim Einstellvorgang weiterläuft und die Tormechanik beschädigen kann.

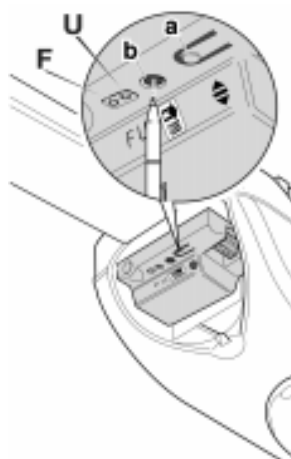


Hinweis:

Programmiertaste nur leicht drücken (z.B. mit einem Kugelschreiber).

Um den Einstellvorgang zu unterbrechen, Netzstecker ziehen. Nachdem der Netzstecker wieder eingesteckt ist, muss mit dem Einstellvorgang neu begonnen werden.

Mindestabstand zwischen oberer und unterer Endlage ist 30 cm. Ein geringerer Abstand kann nicht programmiert werden.



1. Obere Endlage einstellen

- Programmiertaste **b** mindestens 2 Sekunden drücken (Kugelschreiber), bis Antriebsbeleuchtung erlischt.
 - Antriebsbeleuchtung geht wieder an.
 - Blinkt die Antriebsbeleuchtung, wurde die Programmiertaste zu kurz gedrückt. In diesem Fall Netzstecker ziehen und wieder einstecken. Endlagen einstellen von vorne beginnen.
- Bedientaste **a** kurz (ca. 1 Sekunde) drücken.
 - Garagentorantrieb läuft in Richtung „Tor-Auf“ bis zum mechanischen Endanschlag und von dort ca. 5 cm zurück.
 - Eine Korrektur dieser Position ist möglich, dazu Bedientaste **a** drücken und gedrückt halten, bis gewünschte Position erreicht ist. Bei jedem Tastendruck ändert sich die Laufrichtung.
- Wenn gewünschte Endlage eingestellt ist:
 - Programmiertaste **b** drücken, bis die Antriebsbeleuchtung erlischt.
 - Antriebsbeleuchtung geht wieder an.

Die obere Endlage ist abgespeichert.

2. Untere Endlage einstellen

- Bedientaste **a** drücken und gedrückt halten, bis das Garagentor ganz geschlossen ist (mechanischer Anschlag).
 - Die untere Endlage kann bei Bedarf über die Bedientaste **a** verändert werden, siehe oben.
 - Zur Schonung der Tormechanik untere Endlage so einstellen, dass ein zu starkes Andrücken des Tores an den mechanischen Anschlag verhindert wird.
- Programmiertaste **b** drücken, bis Antriebsbeleuchtung erlischt.
 - Antriebsbeleuchtung geht wieder an.

Die untere Endlage ist abgespeichert.

3. Testlauf durchführen

- Bedientaste **a** kurz drücken und warten, bis das Garagentor ganz geöffnet ist.
- Bedientaste **a** erneut drücken und warten, bis das Garagentor ganz geschlossen ist.
 - Die Antriebsbeleuchtung geht aus.

Der Einstellvorgang ist abgeschlossen.

Wenn der Testlauf nicht erfolgreich abgeschlossen wurde, gesamten Einstellvorgang wiederholen.

Der Testlauf ist nur vollständig, wenn er nicht unterbrochen wird. Während des Testlaufes arbeitet der Garagentorantrieb mit voller Kraft und „lernt“ dabei automatisch die zum Öffnen und Schließen benötigte Kraft. Bei jedem folgenden Lauf wird die Kraft automatisch nachjustiert (wichtig z.B. im Winter, wenn das Garagentor etwas schwerer läuft).

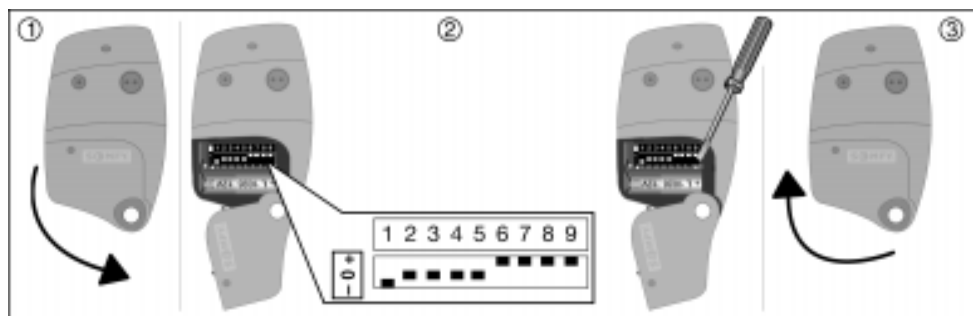
1. Sicherheitscode einstellen



Hinweis zum Somfy Security System:

Aus Sicherheitsgründen muss mindestens ein Schalter auf + oder 0 gestellt sein, damit der Handsender am Antrieb eingelernt werden kann. D.h. der Sicherheitscode „-----“ ist ungültig.

Codieren Sie Ihren Handsender mit Ihrem persönlichen Sicherheitscode. Dazu:

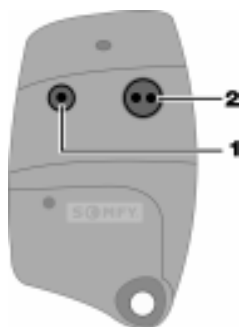


- Handsenderdeckel abziehen (1).
- Gewünschten Code z. B. mit einem Schraubendreher einstellen (2).
 - Stellen Sie eine frei gewählte Anzahl von Schaltern zwischen 1 und 9 auf + / – oder 0.
- Handsenderdeckel schließen (3).

Ihr Handsender kann jetzt auf den Antrieb eingelernt werden.

2. Handsender am Antrieb einlernen

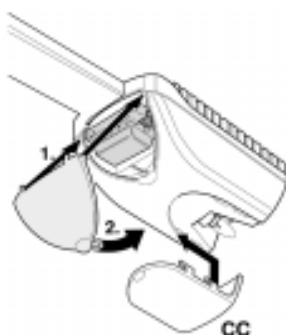
Bevor Sie mit der Programmierung der Handsender anfangen, legen Sie eine der beiden Tasten **1** oder **2** des Handsenders als Bedientaste fest. Nur über diese Taste können Sie dann den Garagentorantrieb bedienen. Diese Taste wird in der folgenden Beschreibung „Taste 1“ genannt.



- Programmiertaste **b** am Torantrieb kurz (ca. 1 Sek.) drücken.
 - Antriebsbeleuchtung blinkt.
 - Leuchtet die Antriebsbeleuchtung dauernd, wurde die Programmiertaste zu lange gedrückt. In diesem Fall, Netzstecker ziehen und wieder einstecken. „Handsender einlernen“ wiederholen.
- Gewünschte Taste 1 am Handsender mind. 2 Sek. drücken, bis die Antriebsbeleuchtung erlischt und anschließend erneut blinkt.
- Gleiche Taste am Handsender ca. 2 Sek. erneut drücken, bis die Antriebsbeleuchtung erlischt und nochmals kurz aufleuchtet.

Der Handsender ist am Antrieb eingelernt.

- Nach Beenden des Einlernvorganges Abdeckungen der Elektronik und der Antriebsbeleuchtung **CC** aufsetzen.



3. Weitere Handsender

Nachdem Sie einen Handsender eingelernt haben, können Sie weitere Handsender unter folgenden Voraussetzungen ohne Einlernvorgang benutzen:

- Es ist der gleiche Sicherheitscode eingestellt.
- Es wird die gleiche Bedientaste (Taste 1) genutzt.

4. Löschen der Handsender

Die eingelernten Handsender werden gelöscht, indem die bisherigen gespeicherten Werte überschrieben werden.

Dies erfolgt:

- indem Sie eine neue Bedientaste des Handsenders einlernen, oder
- wenn Sie einen Handsender mit einem neuen Sicherheitscode am Antrieb einlernen (siehe „Sicherheitscode einstellen“).



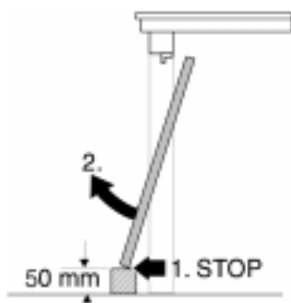
Hinweis:

Das Löschen eines Handsenders bedeutet das Löschen aller Handsender, die mit dem gleichen Sicherheitscode bzw. der gleichen Bedientaste programmiert sind.

Hinderniserkennung prüfen

Bei Inbetriebnahme und danach mindestens 1x monatlich:

- Geeigneten Gegenstand mit mind. 50 mm Höhe (z.B. Holzklötz) in den Laufweg des Garagentores (Tor-Zu-Bewegung) legen.
- Garagentorantrieb starten.
 - Beim Auflaufen auf den Gegenstand stoppt das Garagentor, läuft bis zum oberen mechanischen Endanschlag und dann bis zur programmierten oberen Endlage zurück.
 - Die Antriebsbeleuchtung blinkt im Ein-Sekunden-Takt.
- Durch erneutes Starten des Garagentorantriebes stoppt das Blinken.
 - Ist dies nicht der Fall, wenden Sie sich bitte an die Service-Line.



Zubehör anschließen

Vorbereitung



Stromschlaggefahr

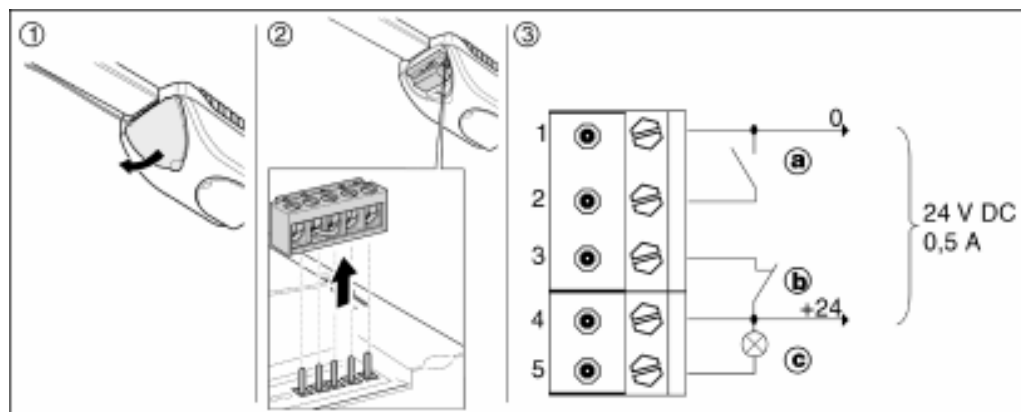
Vor Anschluss von Zubehör Netzstecker ziehen.



Vorsicht!

Nur Original-Zubehör nach Anleitung anschließen. Potentialfreie Kontakte – keine Fremdspannung anlegen!

- Abdeckklappe der Elektronik abnehmen (1).



- Zum Anklemmen der Anschlussleitungen die Klemmleiste abziehen (2).

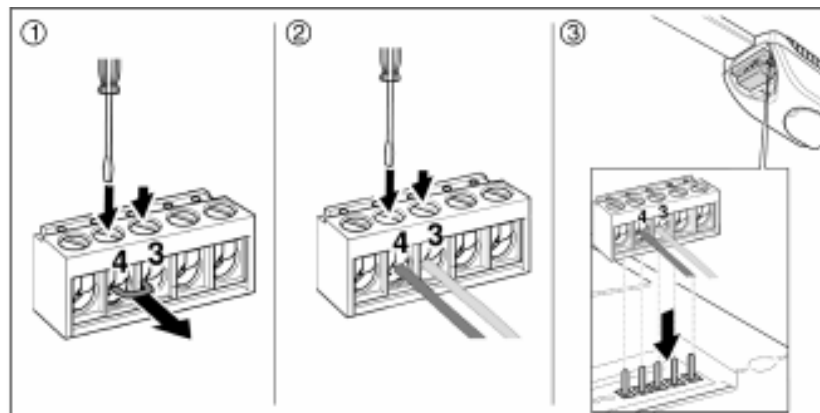
Anschlussbelegung (3):

- **a** Anschluss Taster
- **b** Anschluss Lichtschranke
- **c** Anschluss Warnleuchte



Achtung!

Sicherheitszubehör von einem Fachbetrieb anschließen lassen.



- Anschlussklemmen 3 und 4 öffnen (kleiner Schraubendreher) (1). Drahtbrücke entfernen.
- Anschlussleitungen bei 3 und 4 einstecken, festdrehen (2).
- Klemmleiste wieder aufstecken (3).
- Netzstecker einstecken, Funktion prüfen.



Hinweis:

Falls mehrere Sicherheitszubehöre verwendet werden, müssen diese in Reihe geschaltet werden.

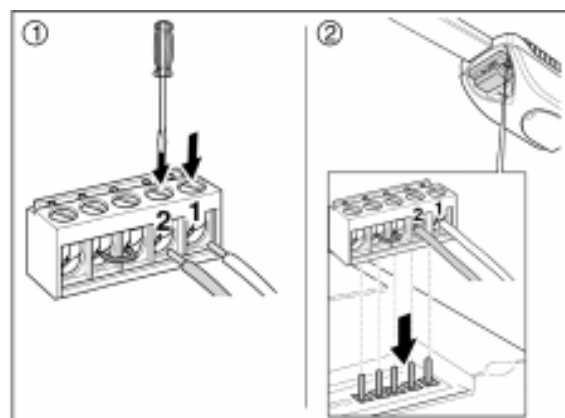
Innen-, Code-, Schlüsseltaster



Taster anbringen:

- in Sichtweite zum Garagentor,
- entfernt von sich bewegenden Teilen,
- Innentaster in mindestens 1,5 m Höhe anbringen.

- Anschlussklemmen 1 und 2 öffnen (kleiner Schraubendreher).



- Anschlussleitungen einstecken, festdrehen (1).
- Klemmleiste wieder aufstecken (2).
- Netzstecker einstecken, Funktion prüfen.



Hinweis:

Falls mehrere Taster verwendet werden, müssen diese parallel geschaltet werden.

Warnleuchte

Die Warnleuchte blinkt während der Torbewegung.

- Warnleuchte an Blinkausgang Klemme 4 und 5 anschließen.

24 V-Ausgang

Der 24 V-Ausgang dient der Versorgung einer Lichtschanke oder der Sicherheitskontaktleiste. Anschluss erfolgt an Klemme 1 und 4.

Bedienungsanleitung

Garagentor öffnen, schließen oder stoppen



Verletzungsgefahr

Garagentor nur öffnen oder schließen, wenn sich keine Personen oder Gegenstände im Schwenkbereich befinden.

Bei Stromausfall oder bei Störungen am Antrieb das Garagentor ausschließlich mit der Innen- oder Außen-Notentriegelung öffnen. Wenn das Tor nach betätigter Notentriegelung nur mit erhöhtem Kraftaufwand zu betätigen ist, unbedingt eine Garagentor-Fachkraft hinzuziehen.

Handsender im Kraftfahrzeug so aufbewahren, dass er während der Fahrt z.B. beim Bremsen keine Schäden verursachen kann.



Vorsicht!

Handsender keinen hohen Temperaturen aussetzen (z.B. direkte Sonneneinstrahlung im Kraftfahrzeug).

- Handsender auf das Garagentor richten und Taste 1–2 Sekunden drücken oder
- Taster betätigen (z. B. Schlüsseltaster).
 - Antriebsbeleuchtung leuchtet nach dem Öffnen oder Schließen 60 Sekunden lang.



Ablauf bei mehrmaligem Auslösen von Handsender oder Taster:

Öffnen – Stoppen – Schließen – Stoppen – Öffnen – Stoppen – Schließen – Stoppen usw.

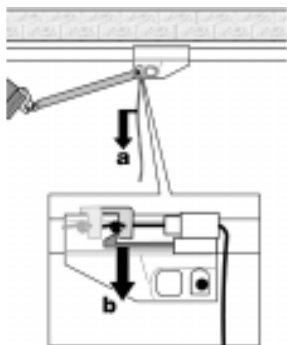
Innen-Notentriegelung

In Notfällen oder bei Stromausfall kann das Garagentor vom Antrieb abgekoppelt und von innen (von Hand) geöffnet werden.



Verletzungsgefahr

Das geöffnete Garagentor kann beim Entriegeln herunterfallen, weil Federn schwach oder gebrochen sind oder das Tor ungenügend ausbalanciert ist.



- Garagentorantrieb entriegeln, dazu die Leine **a** ziehen .
 - Der Hebel rastet ein, und das Garagentor kann von Hand geöffnet werden.
- Garagentorantrieb zum Einkoppeln vorbereiten, dazu Kunststoffhebel **b** nach unten drücken.
- Anschließend Garagentor von Hand in Ausgangslage bringen.
 - Beim Einkoppeln ist ein deutliches „Klick“ zu hören.

Batterie am Handsender austauschen



Vorsicht!

Gefahr bei unsachgemäßem Austausch der Batterie. Ersatz nur durch denselben Batterietyp. Auslaufsichere Batterien verwenden.

Umweltgefährdung durch verbrauchte Batterien!

Verbrauchte Batterien nicht in den Hausmüll werfen. Sorgen Sie für eine umweltfreundliche Entsorgung. Beachten Sie die Angaben des Herstellers.



- Verbrauchte Batterie gegen eine neue Batterie austauschen.
 - Batterietyp: L1028/12 V

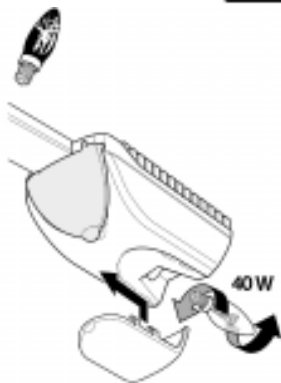
Glühlampe austauschen



Stromschlaggefahr!

Vor Austausch der Glühlampe Netzstecker ziehen.

- Abdeckung der Antriebsbeleuchtung abziehen.
- Glühlampe gegen neue austauschen (max. 40 W, Sockel E14).
- Abdeckung aufsetzen, einrasten.
- Netzstecker einstecken.



Regelmäßig prüfen



Achtung!

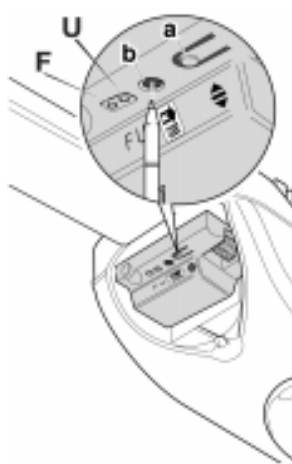
Während Reparatur- oder Einstellarbeiten an der Tormechanik Anlage nicht benutzen, da Fehler in der Anlage oder ein falsch ausbalanciertes Tor Verletzungen verursachen können.

- Einmal monatlich folgende Funktionen prüfen:
 - Hinderniserkennung (siehe Kapitel „Inbetriebnahme“)
 - Funktion aller zusätzlich eingebauten Zubehörteile (insbesondere Sicherheitseinrichtungen)
- Die gesamte Anlage (Tor und Antrieb) auf mechanische Funktionsfähigkeit überprüfen (Verschleiß, Beschädigung insbesondere von Federn und Befestigungsteilen) sowie die Elektroinstallation überprüfen.

Was passiert, wenn die Stromversorgung unterbrochen wurde?

- Antriebsbeleuchtung leuchtet nach Wiederkehr der Stromversorgung für 1 Sekunde.
- Beim nächsten Bedienimpuls läuft das Garagentor bis zum oberen mechanischen Endanschlag (Bezugspunkt) und dann bis zur programmierten oberen Endlage zurück.
- Falls danach die Antriebsbeleuchtung dauernd leuchtet, Inbetriebnahme erneut durchführen.

Störungen selbst beheben



Störung	Mögliche Ursache	Abhilfe
Optische Anzeige: Dauerlicht nach Einstecken des Netzsteckers und/oder während der Inbetriebnahme.	Endlagen-Einstellung und/oder Testlauf noch nicht abgeschlossen.	Netzstecker Reset: Netzstecker ziehen und wieder einstecken. Endlageneinstellung und Testlauf gemäß Gebrauchsanweisung durchführen.
Antriebsbeleuchtung blinkt regelmäßig (Ein-Sekunden-Takt).	Hindernisfall ist eingetreten (z.B. durch Hinderniserkennung oder Auslösen der Sicherheitseinrichtung wie Lichtschranke, Schlupftürkontakt).	Hindernis entfernen, Garagentor öffnen/ schließen.
Antriebsbeleuchtung blinkt unregelmäßig (drei Sekunden AUS/ eine Sekunde AN).	Bei der Überwachung der elektronischen Baukomponenten erkennt die Elektronik eine Unregelmäßigkeit.	Reset: Bedientaste a und Programmieraste b gleichzeitig 5 Sekunden drücken. (Antriebsbeleuchtung blinkt). Resetbestätigung durch Dauerlicht. Endlagen neu einstellen und Testlauf durchführen. Eingelernte Handsender werden dabei nicht gelöscht. Blinkt die Antriebsbeleuchtung während der Endlagenprogrammierung erneut unregelmäßig, bitte Service-Line kontaktieren.
Antriebsbeleuchtung leuchtet nicht.	Glühlampe defekt.	Austauschen.
Garagentor-Antrieb funktioniert nicht beim Betätigen des Handsenders.	Batterie des Handsenders verbraucht/falsch eingelegt.	Batterie prüfen, bei Bedarf Batterie austauschen.
	Code im Empfänger noch nicht eingelesen.	Handsender anmelden.
	Endlageneinstellung, Testlauf nicht abgeschlossen.	Endlageneinstellung, Testlauf durchführen und abschließen. Danach Handsender anmelden.
Garagentor-Antrieb öffnet/schließt das Tor nicht/nicht vollständig.	Schaden an der Tormechanik.	Tormechanik prüfen. Durch Garagentor-Fachkraft instandsetzen lassen.
	Ungünstige äußere Umstände (z.B. starker Regen) haben das Torgewicht erhöht. Garagentor-Antrieb erkennt Situation als Hindernis.	Endlagen neu einstellen und Testlauf durchführen. Eingelernte Handsender werden dabei nicht gelöscht. Wenn Störung bleibt, bitte Service-Line kontaktieren.
	Keine Netzspannung (Leuchtdiode U leuchtet nicht).	Von Fachkraft prüfen lassen, ob Netzspannung an Netzsteckdose.

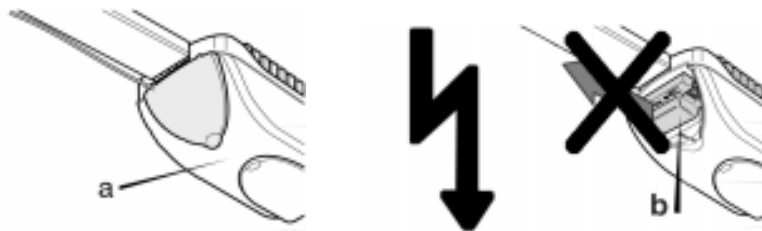
Kundendienst

Störungen im 230-Volt-Bereich dürfen nur von Elektro-Fachkräften oder dem Vertragskundendienst behoben werden. Bei wiederholt auftretenden oder anderen Störungen wenden Sie sich bitte an den nächsten Vertragskundendienst.



Achtung!

Abdeckhaube (a) darf nur durch Fachkraft gemäß VDE 0100 abgenommen werden (Stromschlaggefahr). Gewährleistungsanspruch erlischt sonst.



Stromschlaggefahr!

Arbeiten an der Steuerungselektronik (b) nur im spannungslosen Zustand durchführen! Steuerungselektronik nicht herausziehen!

Zubehör

Dieses Zubehör können Sie im Fachhandel beziehen. Weitere Auskünfte darüber erteilt Ihnen gern der Fachhändler für SOMFY Garagentorantriebe.

Zubehör für zusätzliche Sicherheit

	SOMFY Art-Nr.	Bemerkung
Außen-Notentriegelung		
– für Schwing-/Sektional- und Kiptore mit Griff	9 000 018	Wenn kein zweiter Zugang zur Garage vorhanden ist, muss unbedingt eine Außen-Notentriegelung montiert werden. Damit kann das Garagentor von außen (von Hand) z.B. bei Stromausfall /Störungen geöffnet werden.
– für alle gängigen Torarten mit und ohne Griff (Notentriegelungsschloss)	9 000 032	
Schlupftürkontakt	9 000 007	Verhindert bei geöffneter Schlupftür (Tür im Tor) eine Torbewegung durch den Garagentorantrieb.
Bodenverriegelung	9 000 003*	
Verriegelungssatz ohne Verriegelungsschnapper	9 000 019*	
Seitliche Torverriegelung	9 000 004*	
Lichtschranke	9 000 025	Bei Unterbrechung des Lichtstrahls stoppt das Garagentor sofort. In Tor-Zu-Richtung wird das Hindernis freigegeben.
Warnleuchte	9 000 030	

* zusätzlich Führungsarm erforderlich (Bestell-Nr. 9 000 002)

Zubehör für höheren Bedienkomfort

	SOMFY Art-Nr.	Bemerkung
Schlüsseltaster Auf-/Unterputz	9 000 021	
Innentaster	9 000 008	
Codetaster	9 000 028	
2-Kanal-Handsender, hellgrau	1 800 037	433,42 MHz
4-Kanal-Handsender, Fun	1 800 035	433,42 MHz
4-Kanal-Handsender, dunkelgrau	1 800 029	433,42 MHz

Zubehör für besondere Einbaubedingungen

	SOMFY Art-Nr.	Bemerkung
Deckenabhängung (Winkel)	9 000 034	Zum Abhängen bis max. 270 mm.
Lochschiene zum Abhängen des Garagentorantriebes	9 000 001	Gesamtlänge 1 m, zum Abhängen bis 400 mm.
Deckenabhängung (Teleskop)	9 000 042	Zum Abhängen bis max. 1500 mm.
Führungsarm-Verlängerung	9 000 006*	Verwendung bei breitem Sturz (bis max. 400 mm), wenn der Führungsarm am Sturz ansteht.
Verlängerungsstange	9 000 005*	Erforderlich bei zu geringem Abstand zwischen Toroberkante und Garagendecke und wenn der Garagentorantrieb komplett nach hinten verlegt wird (bis max. 2,5 m).
Flügeltoresbeschlag	9 000 009	Torflügelbreite max. 1,5 m pro Flügel. Zusätzliche Hinweise siehe „Verwendbarkeit“.
Sektionaltorbeschlag	9 000 016	Für Torsegmente von 300–500 mm Höhe.
Befestigungsbügel	9 000 040	Zur Verstärkung des oberen Sektionaltorsegmentes.
Gebogener Führungsarm	9 000 023	Für Sektionaltore, wenn die Halte- und Befestigungsschiene am Torsegment nicht benötigt wird.
Hubarm	9 000 015	Für Kipptore mit senkrechten Laufschienen.
Schienenverlängerungssatz	9 000 031	Um max. 700 mm.

* zusätzlich Führungsarm erforderlich (Bestell-Nr. 9 000 002)

Herstellereklärung



(Siehe Seite 230)

Der Hersteller SOMFY GmbH, Felix-Wankel-Straße 50, D-72108 Rottenburg a. N., erklärt hiermit:

Der Torantrieb, Typ KEASY L+, KEASY XL+ entsprechen der 99/5/EG, 98/37/EG Maschinenrichtlinie gemäß DIN EN 12453:2001, DIN EN 60335-1:1995, E DIN EN 60335-2-95:2001.

Hinweis:

Die Inbetriebnahme der Toranlage, in der dieser Torantrieb eingebaut werden soll, ist solange untersagt, bis festgestellt wurde, dass die Toranlage den Bestimmungen der Richtlinie 98/37/EG entspricht.

Rottenburg, den 16.02.2004

Leiter Design Center
i. V. Dieter Thomas

Indice

Indice	55
Simboli utilizzati in questo libretto d'istruzioni	56
Istruzioni per la rottamazione	56
Per la vostra sicurezza	57
Per il regolare impiego	57
Istruzioni di sicurezza importanti	57
Avvertenza per portatori di stimolatori cardiaci	57
Dispositivi di sicurezza	57
Preparazione per il montaggio	58
Guida rapida.....	58
Dati tecnici.....	58
Utilizzabilità	59
Massime dimensioni della porta del garage	59
Stabilità dell'architrave e del soffitto del garage	59
Meccanismo della porta disponibile	59
Collegamento alla Rete	59
Dispositivi di sicurezza supplementari.....	60
Istruzioni per il montaggio	60
Istruzioni importanti per un montaggio sicuro.....	60
Controllare il contenuto della confezione	60
Situazioni di montaggio / esempi di montaggio	61
Montare l'apriporta per garage	61
Montaggio.....	62
Istruzioni per la regolazione	62
Messa in funzione	62
Regolare/modificare le posizioni finali della porta del garage	63
Memorizzazione del telecomando manuale	64
Controllare il riconoscimento di ostacolo.....	65
Collegare gli accessori	65
Preparazione	65
Barriera fotoelettrica, contatto porta di servizio, interruttore di sicurezza a listello di contatto	66
Pulsante interno, pulsante a codice, pulsante a chiave	66
Lampada di segnalazione	67
Uscita a 24 V	67
Istruzioni per l'uso	67
Aprire, chiudere o arrestare la porta del garage.....	67
Apertura d'emergenza dall'interno	67
Sostituire la batteria del telecomando manuale	68
Sostituzione della lampadina ad incandescenza.....	68
Controllare regolarmente.....	68
Che accade in caso d'interruzione dell'energia elettrica?	68
Rimedio in caso di cattivo funzionamento	69
Eliminare da soli i guasti.....	69
Servizio assistenza clienti	70
Accessori	70
Accessori per la sicurezza supplementare	70
Accessori per una maggiore comodità di comando	71
Accessori per particolari condizioni di montaggio	71
Dichiarazione del produttore	71

Simboli utilizzati in questo libretto d'istruzioni

**Attenzione! Importante istruzione di sicurezza.**

Per la sicurezza delle persone è vitale osservare queste istruzioni.

**Attenzione! Istruzione di sicurezza.**

In caso d'inosservanza, pericolo di ferite o danni materiali.

**Avvertenza:**

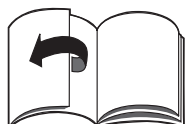
Indica consigli d'impiego ed informazioni importanti.

**Pericolo di scariche elettriche!**

Prima di qualsiasi lavoro estrarre la spina d'alimentazione.



Impiego solo in ambienti asciutti.



Aprire le pagine a risvolto avanti.



Aprire le pagine a risvolto dietro.



Nelle pagine a risvolto indica il numero di figura relativo ad un'istruzione.

- Il punto indica un'istruzione di comportamento.
 - Con il trattino si fa riferimento a punti, che devono essere particolarmente osservati.

Istruzioni per la rottamazione



Osservare in caso di sostituzione di un esistente apriporta per garage:

- Gli apparecchi dismessi non sono rifiuti senza valore. Attraverso una rottamazione ecologica si possono recuperare materie prime preziose.

Per proteggere il vostro nuovo apriporta dall'ossidazione durante il trasporto ed il magazzinaggio, alcune parti sono state trattate con olio. Dopo il montaggio, smaltire secondo le norme ambientali le parti dell'imballaggio sporche di olio e gli stracci per la pulizia.

I materiali d'imballaggio impiegati sono compatibili con l'ambiente e riciclabili. Smaltire l'imballaggio secondo le norme ambientali.

Non gettare le batterie del telecomando nei rifiuti domestici.

Informarsi sulle attuali vie di smaltimento presso il proprio rivenditore specializzato o presso l'amministrazione comunale.

Per la vostra sicurezza

Per il regolare impiego

L'automazione è idonea per porte secondo EN 12604 ed EN 13241, previa considerazione delle forze d'azionamento ed osservanza delle istruzioni per l'uso.

Impiegare questa automazione per porta di garage esclusivamente.



- per l'apertura e chiusura automatica di porte di garage;
- in ambienti asciutti;
- in aree private,
- conformemente alle descrizioni ed istruzioni di sicurezza fornite in questo libretto d'istruzioni per l'uso.

Qualsiasi altro uso è da ritenersi irregolare.

Istruzioni di sicurezza importanti



Attenzione!

Per la sicurezza delle persone è vitale seguire tutte le istruzioni:

- Conservare questo libretto d'istruzioni e, in caso di cambio del proprietario, consegnarlo al proprietario seguente. Leggere interamente le istruzioni prima del montaggio ed osservare specialmente le istruzioni di sicurezza.
- Eseguire le operazioni di lavoro nell'ordine descritto ed esercitarsi poi nell'uso.
- Usare esclusivamente materiale di fissaggio, ricambi originali ed accessori originali acclusi o consigliati.
- Dopo la messa in funzione, istruire tutti gli utilizzatori sul funzionamento e l'uso dell'apriporta per garage.
- Sui bordi di chiusura e sul meccanismo dell'apriporta sussiste pericolo di schiacciamento e troncatura. Aprire e chiudere l'apriporta per garage solo quando si è in posizione per controllare bene a vista tutta la zona di movimento della porta ed in essa non si trattengono persone.
- Conservare il telecomando manuale in modo che sia escluso l'azionamento involontario, per es. causato da bambini durante il gioco.
- Montare l'automazione per garage solo su porte correttamente regolate e bilanciate. Una porta non equilibrata può causare ferite.
- Prima d'eseguire lavori alla porta o all'apriporta, estrarre sempre la spina d'alimentazione.
- Fare sostituire immediatamente (solo da un elettricista specializzato) un cavo d'alimentazione danneggiato.
- Non toccare mai la porta o le parti della porta durante il movimento.



Avvertenza per portatori di stimolatori cardiaci

La potenza d'emissione del telecomando manuale rientra nei limiti delle pertinenti norme ed è sostanzialmente innocua. Al fine di escludere un limitato rischio, consigliamo in via cautelativa di non azionare il telecomando manuale direttamente a contatto con il corpo. Per la propria sicurezza, impugnare il telecomando manuale a braccio teso in direzione della porta ed azionarlo.

Dispositivi di sicurezza



I dispositivi di sicurezza proteggono da ferite e danni materiali.

Non mettere mai fuori d'uso né aggirare intenzionalmente i dispositivi di sicurezza.

Riconoscimento automatico di ostacolo

Nell'impatto contro un ostacolo durante il movimento di apertura della porta, la porta del garage si ferma.

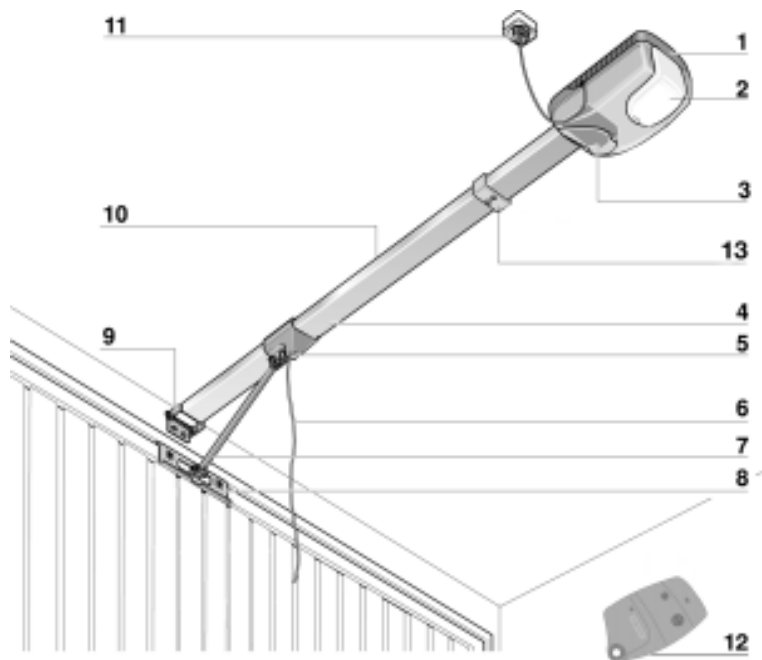
Nell'impatto durante il movimento di chiusura della porta, l'ostacolo viene successivamente liberato, la porta del garage procede fino al fincorsa meccanico superiore (punto di riferimento) e poi ritorna nella posizione finale superiore programmata.

- Controllare questa funzione almeno una volta al mese (vedi capitolo «Messa in funzione»).

Consigliamo inoltre il montaggio di altri dispositivi di sicurezza (vedi «Accessori»).

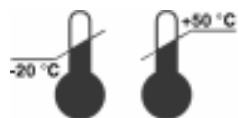
Preparazione per il montaggio

Guida rapida



- | | |
|--------------------------------------|--|
| 1. Testa dell'apriporta | 8. Squadretta di fissaggio porta |
| 2. Illuminazione dell'apriporta | 9. Squadra d'arresto per architrave/soffitto |
| 3. Comando elettronico | 10. Catena con rinvio catena (nell'interno) |
| 4. Guida di scorrimento | 11. Spina d'alimentazione |
| 5. Carrello | 12. Telecomando manuale |
| 6. Apertura d'emergenza dall'interno | 13. Finecorsa meccanico |
| 7. Braccio guida | |

Dati tecnici



	KEASY L ⁺	KEASY XL ⁺
Peso	~15 kg	~15 kg
Forza di spinta/trazione	fino a 550 N continua ¹⁾	fino a 700 N continua ¹⁾
Softstart/Softstop	sì, continuo	sì, continuo
Campo di temperatura	-20 °C.....+50 °C	-20 °C.....+50 °C
Dimensioni		
Lunghezza di montaggio	3,30 m	3,30 m
Lunghezza corsa	2,50 m ²⁾	2,50 m ²⁾
Circuiti elettrici		
Alimentazione elettrica	230 V/50 Hz~	230 V/50 Hz~
Potenza assorbita max.	300 W	300 W
Consumo in stand-by	< 4 W	< 4 W
Grado di protezione	IP 20	IP 20
Tipo di funzionamento	S2 servizio discontinuo	S2 servizio discontinuo
Lampadina	max. 40 W/E14	max. 40 W/E14
Frequenza radio	UHF 433,42 MHz	UHF 433,42 MHz

1) adattivo

2) 3,00 m con prolungamento della guida

Utilizzabilità

KEASY L⁺ / KEASY XL⁺

Utilizzabile per:

- Porte basculanti
 - Porte sezionali a scorrimento sotto il soffitto (necessaria ferramenta per porta sezionale, vedi «Accessori»)
 - Porte a battenti (necessaria ferramenta per porte a battenti, vedi «Accessori»)
- Inoltre è necessario cambiare il senso di scorrimento dell'apriporta. Il rivenditore specializzato o il più vicino servizio assistenza clienti convenzionato forniscono a tal fine le necessarie informazioni (vedi anche le istruzioni per l'uso per la ferramenta della porta a battenti)

KEASY XL⁺

Utilizzabile per:

- Porte basculanti (necessario braccio di sollevamento, vedi «Accessori»).
- Porte sezionali a scorrimento laterale (necessaria ferramenta).

Massime dimensioni della porta del garage

	KEASY L ⁺	KEASY XL ⁺
Superfici		
Porte leggere, per es. porte in lamiera	fino a 7,5 m ²	fino a 12,0 m ²
Porte pesanti, per es. porte in legno	fino a 6,0 m ²	fino a 7,5 m ²
Altezze		
Porte sezionali sotto soffitto	fino a 2,3 m	fino a 2,3 m
Altre porte per garage	fino a 2,3 m	fino a 2,3 m
con set di prolungamento guida (vedi «Accessori»)	oltre 2,3 fino a 3,0 m	oltre 2,3 fino a 3,0 m

Stabilità dell'architrave e del soffitto del garage

Carico minimo ammissibile di architrave e soffitto:

- KEASY L⁺: 700 N
- KEASY XL⁺: 900 N



Nel trapanare i fori, prestare attenzione allo spessore del soffitto (per es. soffitti in calcestruzzo di garage prefabbricati)!

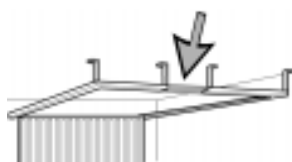
Profondità del foro necessaria per i tasselli e le viti a corredo: 53 mm

Nella fornitura sono compresi tasselli standard di marca. Se necessario utilizzare tasselli speciali idonei per il materiale del fondo.

Meccanismo della porta disponibile

La porta del garage può essere aperta e chiusa agevolmente a mano senza incepparsi? In caso contrario, fare riparare il meccanismo da un fabbro specializzato in porte per garage.

Se le guide di scorrimento della porta del garage sono stabilizzate con una traversa, il braccio guida dell'apriporta può urtare contro questa traversa. In tal caso questa può essere troncata e parzialmente rimossa, vedi esempio nella figura. Per ripristinare la stabilità, fissare le parti restanti al soffitto.



Collegamento alla Rete

È disponibile un collegamento a 230 V alla necessaria distanza dall'apriporta?

- lunghezza del cavo d'alimentazione: **ca. 1 m**

Se non è disponibile, fare predisporre da un elettricista un collegamento alla rete.



Dispositivi di sicurezza supplementari



Sblocco d'emergenza dall'esterno

Se non esiste un secondo accesso al garage, è indispensabile montare un dispositivo di sblocco d'emergenza dall'esterno (vedi «Accessori»). Con esso la porta del garage può essere aperta (manualmente), per es. in caso d'interruzione dell'alimentazione elettrica/di guasto.



Finecorsa meccanico

Per la messa in funzione ed il perfetto funzionamento, dopo un impatto contro un ostacolo la corsa della porta del garage deve essere necessariamente limitata da un finecorsa meccanico fisso (compreso nella fornitura).



Bloccaggio della porta

L'apriporta per garage è autobloccante e mantiene la porta chiusa. Prima del montaggio, automatizzare (vedi «Accessori»), rimuovere o mettere fuori servizio i disponibili dispositivi di bloccaggio della porta del garage.

Istruzioni per il montaggio

Istruzioni importanti per un montaggio sicuro



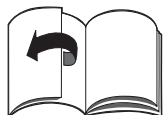
Attenzione!

Un montaggio errato può causare ferite gravi. Seguire tutte le istruzioni per il montaggio!
L'aiuto di una seconda persona facilita il montaggio.



Attenzione!

Per trapanare fori sopra la testa indossare occhiali protettivi.
Prima di trapanare, coprire la testa dell'apriporta per proteggerla dalla polvere.



1 Controllare il contenuto della confezione

Per eseguire il montaggio senza interruzioni, controllare il contenuto della confezione prima del montaggio per accertare

- la completezza delle parti,
- il regolare stato delle parti.

Non montare le parti danneggiate! Mettersi in contatto con il proprio rivenditore.



Avvertenza:

Gli elementi in materiale espanso **AA** servono per l'insonorizzazione della catena.



Preparare tutti gli attrezzi necessari per il montaggio.

Situazioni di montaggio / esempi di montaggio

Dove montare la squadra d'arresto per architrave/soffitto e la testa dell'apriporta? (Sull'esempio di una porta basculante)



3

Per l'efficace trasmissione della forza, l'apriporta deve essere montato in generale quanto più vicino possibile sopra il punto più alto di scorrimento della porta.

- Rilevare il punto più alto di scorrimento della porta **a** (**a** = distanza minima fra pannello della porta e soffitto del garage). Secondo la misura rilevata, vi sono diverse possibilità di montaggio.

4

1. Misura **a** da 38 mm a 140 mm
 - Montare l'apriporta sotto il soffitto.
 - Fissare la squadra d'arresto per architrave/soffitto all'architrave oppure al soffitto (preferibilmente all'architrave).
 - In caso di montaggio sull'architrave mantenere una distanza di 15 mm.

5

2. Misura **a** superiore a 140 mm
 - Montare la squadra d'arresto per architrave/soffitto sull'architrave con una distanza di 50 mm fra bordo inferiore della guida e più alto punto di scorrimento della porta.
 - Sospendere l'apriporta al soffitto (è necessaria la guida forata, vedi «Accessori»).

6

3. Misura **a** inferiore a 38 mm
 - Montare la squadra d'arresto per architrave/soffitto e l'apriporta sotto il soffitto, dietro la porta del garage aperta (necessaria asta di prolunga, vedi «Accessori»). Rispettare la lunghezza totale.

Montare l'apriporta per garage



7

- Inserire i pezzi per il collegamento delle guide **B** fino agli arresti nella guida **A** ed assemblare gli elementi della guida.
- Piegare gli inserti bianchi di materiale espanso per l'insonorizzazione **AA** in corrispondenza della piega.
- Incastrare l'elemento d'insonorizzazione al centro della 4ª guida **A**.
- Inserire la guida completa già montata nella testa dell'apriporta **C**.

8

- Inserire il carrello **D** sulla guida di scorrimento.
- Assemblare mediante inserimento delle parti **E, F, G** il rinvio anteriore della catena ed inserirlo nella guida di scorrimento.

9

- Per svolgere facilmente la catena **J**, togliere il coperchio della scatola delle parti minute ed utilizzarlo come superficie d'appoggio.
- Pulire con uno straccio l'eccesso di olio sulla catena.

10

- Svolgere la catena nella guida di scorrimento.
 - Passare assolutamente la catena attraverso il carrello **D** sul lato del trascinatore **I**. A tal fine sganciare il carrello (la leva metallica deve innestarsi nella leva di plastica).
- Collegare il trascinatore **I** alla catena **J** su entrambi i lati, per mezzo della falsa maglia **H**.



11

- Per inserire la catena nel rinvio catena **F**, stringere con forza la molla **E**. Utilizzare a tale scopo come aiuto il braccio guida **M**.
 - La catena deve essere collocata correttamente nella sua guida e non deve essere attorcigliata.

12

- Fissare la cordicella **O** per l'apertura d'emergenza.
- Applicare il coperchio del pignone **N**.

Montaggio



13

- Montare sul pannello della porta la squadretta di fissaggio per la porta **K**.
 - Montare le viti di fissaggio orizzontali o verticali.

14

- Montare la squadra d'arresto **L**, secondo la situazione di montaggio, sul soffitto o sull'architrave (vedi «Situazioni di montaggio/esempi di montaggio»). Profondità dei fori 5,3 cm.

15

- Rimuovere il coperchio.
- Collegare l'apriporta con la squadra d'arresto.
 - Avvitare senza stringere la vite. La vite può avere gioco libero, poiché il dado è autobloccante.

16

- Fissare la testa dell'apriporta al soffitto, profondità dei fori 5,3 cm.
 - Prestare attenzione all'allineamento della testa dell'apriporta rispetto al centro della porta del garage (fare riferimento alla squadretta di fissaggio **K** sul pannello della porta)!

17

- Collegare il braccio guida **M** alla squadretta di fissaggio del pannello della porta (per mezzo di **Q**, **Y**) ed al carrello. Le viti possono avere gioco libero, poiché i dadi sono autobloccanti.

Per le porte sprovviste di uno finecorsa meccanico fisso, montare la squadra di fine corsa **Z** come segue:

- Aprire completamente la porta del garage. La posizione di montaggio della squadra di fine corsa, a porta completamente aperta, si trova poco dietro il carrello.
- Tracciare i fori ed infine trapanarli con una punta da metallo Ø 3,6 mm.
- Montare la squadra di fine corsa per mezzo delle viti di trazione per lamiera **ZZ**.

- Controllare manualmente il movimento della porta. A tal fine il carrello deve essere sganciato.
- Aprire completamente e richiudere la porta del garage.

18

- Dopo avere chiuso la porta, preparare l'apriporta per l'accoppiamento, a tal fine premere verso il basso la leva di plastica. Lo sbloccaggio è eliminato non appena la leva metallica si sgancia. Portare infine manualmente la porta del garage nella «posizione porta aperta», vale a dire il carrello s'innesta sul trascinatore.

Istruzioni per la regolazione

Messa in funzione



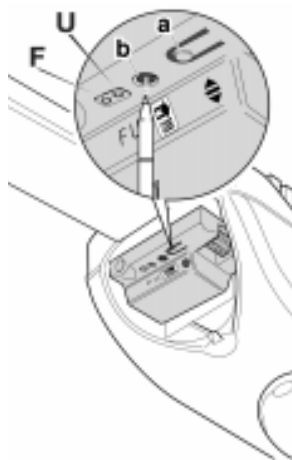
Pericolo di ferite!

Per la messa in funzione e la regolazione, allontanare le persone e gli oggetti dall'area di rotazione della porta del garage.



Avvertenza:

La luce continuamente accesa può riscaldare molto il coperchio dell'illuminazione dell'apriporta. Per la messa in funzione togliere perciò il coperchio.



- Inserire la spina d'alimentazione. L'illuminazione dell'apriporta è continuamente accesa.
- Controllare se il trascinatore è innestato nella catena nel carrello. La porta del garage non deve poter essere mossa manualmente.

- F** Diodo luminoso, è acceso quando riceve un segnale radio
- U** Diodo luminoso, è acceso quando l'alimentazione di rete è presente
- a** Tasto di comando
- b** Tasto di programmazione

Regolare/modificare le posizioni finali della porta del garage

L'operazione comprende sempre la regolazione della posizione finale superiore ed inferiore, nonché la prova di funzionamento.

Come posizione finale superiore s'indica la posizione del carrello a porta completamente aperta.

Come posizione finale inferiore s'indica la posizione del carrello a porta completamente chiusa.

L'operazione di regolazione deve essere eseguita nell'ordine prescritto ed è conclusa quando l'illuminazione dell'apriporta si spegne. Solo allora il telecomando può collegarsi ed essere memorizzato.



Attenzione!

Deve essere previsto un finecorsa fisso come limitazione della corsa della porta (posizione terminale superiore), altrimenti l'apriporta nell'operazione di regolazione prosegue nel movimento e può danneggiare il meccanismo della porta.

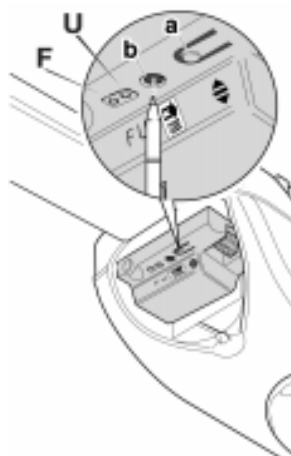


Avvertenza:

Premere solo leggermente il tasto programmazione (per es. con una penna a sfera).

Per interrompere l'operazione di regolazione, estrarre la spina d'alimentazione. Dopo avere di nuovo inserito la spina d'alimentazione, l'operazione di regolazione deve essere ripresa dall'inizio.

La distanza minima fra posizione finale superiore ed inferiore è 30 cm. Una distanza inferiore non può essere programmata.



1. Regolare la posizione finale superiore

- Premere (con una penna a sfera) per almeno 2 secondi il tasto programmazione **b**, finché l'illuminazione dell'apriporta non si spegne.
 - L'illuminazione dell'apriporta si accende di nuovo.
 - Se l'illuminazione dell'apriporta lampeggia, il tasto programmazione è stato premuto per un tempo troppo breve. In tal caso estrarre la spina d'alimentazione ed inserirla di nuovo. Ricominciare dall'inizio la regolazione delle posizioni finali.
- Premere brevemente (ca. 1 secondo) il tasto comando **a**.
 - L'apriporta muove in direzione «porta aperta» fino al finecorsa meccanico e da qui ca. 5 cm indietro.
 - Una correzione di questa posizione è possibile, a tal fine premere e mantenere premuto il tasto comando **a**, finché non è stata raggiunta la posizione desiderata. Ad ogni pressione sul tasto cambia la direzione di movimento.
- Quando la posizione finale è stata regolata:
 - Premere il tasto programmazione **b**, finché l'illuminazione dell'apriporta non si spegne.
 - L'illuminazione dell'apriporta si accende di nuovo.

La posizione finale superiore è memorizzata.

2. Regolare la posizione finale inferiore

- Premere e mantenere premuto il tasto comando **a**, finché la porta del garage non si chiude completamente (arresto meccanico).
 - La posizione finale inferiore può essere cambiata, se necessario, per mezzo del tasto comando **a**, vedi sopra.
 - Per proteggere il meccanismo della porta, regolare la posizione finale inferiore in modo da evitare una pressione eccessiva della porta contro l'arresto meccanico.
- Premere il tasto programmazione **b**, finché l'illuminazione dell'apriporta non si spegne.
 - L'illuminazione dell'apriporta si accende di nuovo.

La posizione finale inferiore è memorizzata.

3. Eseguire la prova di funzionamento

- Premere brevemente il tasto comando **a** ed attendere finché la porta del garage non si è completamente aperta.
- Premere di nuovo il tasto comando **a** ed attendere finché la porta del garage non si è completamente chiusa.
 - L'illuminazione dell'apriporta si spegne.

L'operazione di regolazione è conclusa.

Se la prova di funzionamento non si è conclusa con successo, ripetere l'intera operazione di regolazione.

La prova di funzionamento è completa solo se non è stata interrotta. Durante la prova di funzionamento l'apriporta per garage funziona a piena forza e nello stesso tempo «apprende» automaticamente la forza necessaria per l'apertura e la chiusura. In ogni corsa seguente la forza viene corretta automaticamente (importante per es. d'inverno, quando la porta del garage scorre con maggiore resistenza).

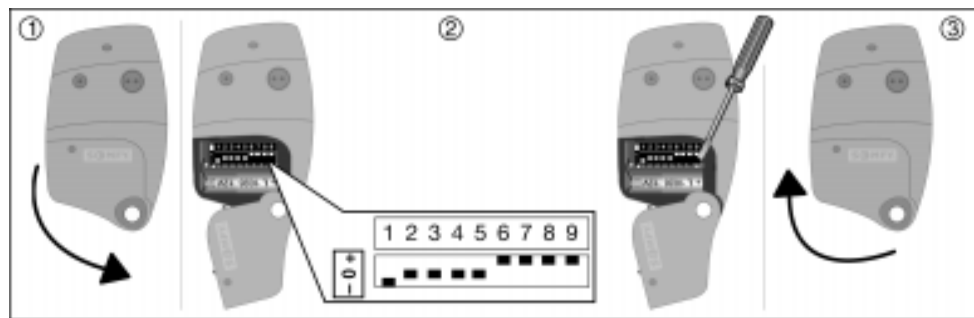
1. Impostare il codice di sicurezza



Avvertenza sul Somfy Security System:

Per motivi di sicurezza, almeno un interruttore deve essere regolato su + oppure 0, affinché il telecomando manuale possa essere memorizzato nell'apriporta, vale a dire il codice di sicurezza «-----» non è valido.

Codificare il telecomando manuale con il proprio codice di sicurezza personale. A tal fine:

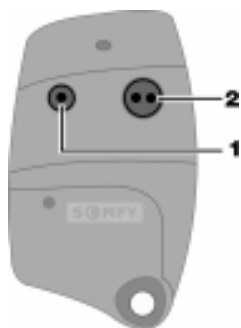


- Staccare il coperchio del telecomando manuale (1).
- Impostare il codice desiderato, per es. con un cacciavite (2).
 - Disporre un numero liberamente scelto di interruttori da 1 a 9 su + / – oppure 0.
- Chiudere il coperchio del telecomando manuale (3).

Ora il telecomando manuale può essere memorizzato nell'apriporta.

2. Memorizzazione del telecomando nell'apriporta

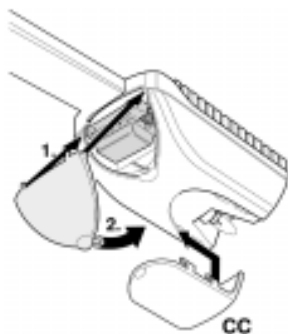
Prima d'iniziare la programmazione del telecomando manuale, definire uno dei due tasti **1** oppure **2** del telecomando come tasto di comando. Solo con questo tasto si potrà comandare in seguito la motorizzazione del garage. Nella seguente descrizione questo tasto viene definito «Tasto 1».



- Premere brevemente (ca. 1 sec.) il tasto programmazione **b** sull'apriporta.
 - L'illuminazione dell'apriporta lampeggia.
 - Se l'illuminazione dell'apriporta è continuamente accesa, il tasto programmazione è stato premuto troppo a lungo. In tal caso estrarre la spina d'alimentazione ed inserirla di nuovo. Ripetere «memorizzazione telecomando».
- Premere il tasto 1 desiderato sul telecomando per almeno 2 sec., finché l'illuminazione dell'apriporta non si spegne ed infine riprende a lampeggiare.
- Premere di nuovo lo stesso tasto del telecomando per ca. 2 sec., finché l'illuminazione dell'apriporta non si spegne e poi si accende di nuovo brevemente.

Il telecomando è stato memorizzato nell'apriporta.

- Dopo avere terminato l'operazione di memorizzazione, applicare il coperchio sul comando elettronico e sull'illuminazione dell'apriporta **CC**.



3. Altri telecomandi manuali

Dopo avere eseguito la memorizzazione di un telecomando manuale, altri telecomandi manuali si possono utilizzare senza memorizzazione, alle seguenti condizioni:

- Impostare lo stesso codice di sicurezza.
- Utilizzare lo stesso tasto di comando (tasto 1).

4. Cancellazione dei telecomandi manuali

I telecomandi memorizzati si cancellano sovrascrivendo i valori fin'ora memorizzati.

Ciò avviene:

- memorizzando un diverso tasto di comando del telecomando manuale, oppure
- memorizzando nell'apriporta un telecomando con un nuovo codice di sicurezza (vedi «Impostare il codice di sicurezza»).



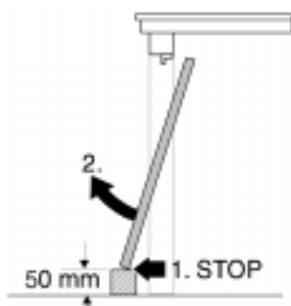
Avvertenza:

La cancellazione di un telecomando manuale significa la cancellazione di tutti i telecomandi manuali, che sono programmati con lo stesso codice di sicurezza e con lo stesso tasto di comando.

Controllare il riconoscimento di ostacolo

Alla messa in funzione, e successivamente almeno 1 volta al mese:

- Disporre nella corsa della porta del garage (movimento di chiusura porta) un idoneo oggetto di almeno 50 mm d'altezza (per es. ceppo).
- Avviare l'apriporta del garage.
 - All'impatto sull'ostacolo la porta del garage si ferma, si apre fino al finecorsa meccanico superiore e torna poi indietro nella posizione finale superiore programmata.
 - L'illuminazione dell'apriporta lampeggia al ritmo di un secondo.
- Mediante nuovo avviamento dell'apriporta del garage l'intermittenza dell'illuminazione cessa.
 - In caso contrario, rivolgersi al servizio assistenza.



Collegare gli accessori

Preparazione



Pericolo di scariche elettriche

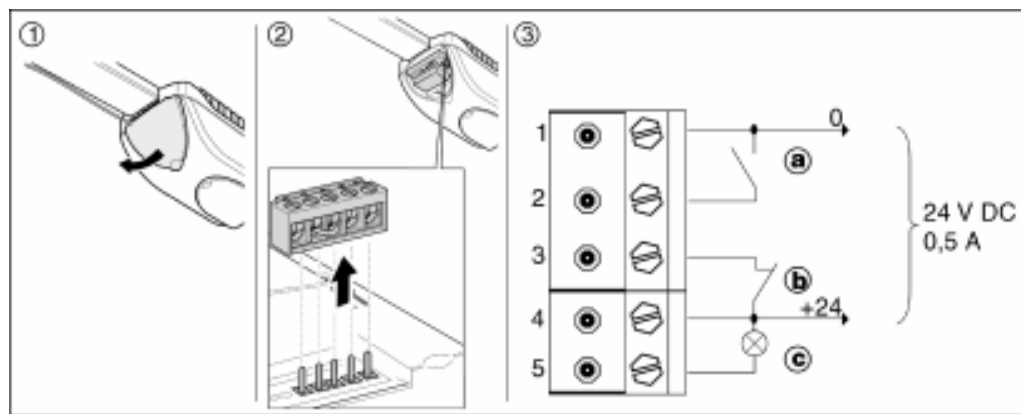
Prima di collegare gli accessori, estrarre la spina d'alimentazione.



Attenzione!

Collegare solo accessori originali, seguendo le istruzioni. Contatti a potenziale zero – non collegare corrente elettrica esterna!

- Rimuovere il coperchio del comando elettronico (1).



- Per collegare ai morsetti le linee di collegamento, estrarre la morsettieria (2).

Occupazione dei contatti (3):

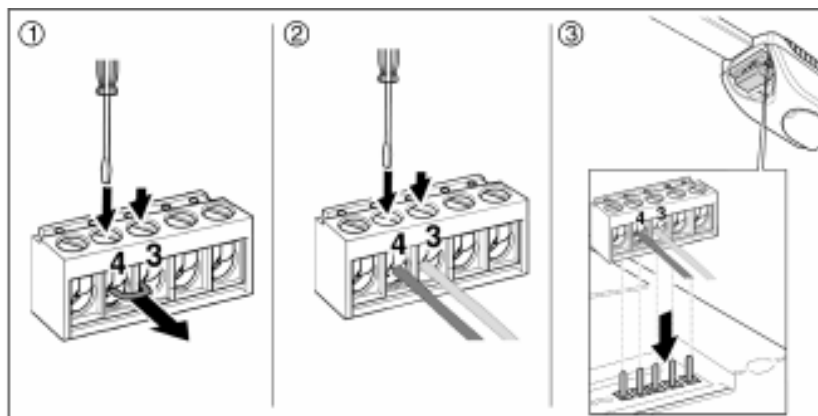
- **a** Collegamento pulsanti
- **b** Collegamento barriera fotoelettrica
- **c** Collegamento lampada di segnalazione

Barriera fotoelettrica, contatto porta di servizio, interruttore di sicurezza a listello di contatto



Attenzione!

Fare montare gli accessori di sicurezza da un'azienda specializzata.



- Aprire i morsetti di collegamento 3 e 4 (con un cacciavite piccolo) (1)
Rimuovere il ponticello di filo metallico.
- Inserire le linee di collegamento 3 e 4, stringere (2).
- Inserire di nuovo la morsettiera (3).
- Inserire la spina d'alimentazione, controllare la funzione.



Avvertenza:

Se si usano più accessori di sicurezza, questi devono essere collegati in serie.

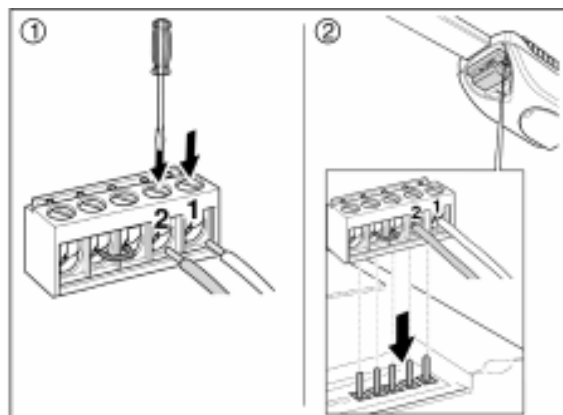
Pulsante interno, pulsante a codice, pulsante a chiave



Montare il pulsante:

- in una posizione dalla quale si controlla a vista la porta del garage
- lontana da parti in movimento,
- montare il pulsante interno almeno a 1,5 m d'altezza.

- Aprire i morsetti di collegamento 1 e 2 (cacciavite piccolo).



- Inserire le linee di collegamento e stringere (1).
- Inserire di nuovo la morsettiera (2).
- Inserire la spina d'alimentazione, controllare la funzione.



Avvertenza:

Se si utilizzano più pulsanti, questi devono essere collegati in parallelo.

Lampada di segnalazione

La lampada di segnalazione lampeggia durante il movimento della porta.

- Collegare la lampada di segnalazione all'uscita intermittente morsetti 4 e 5.

Uscita a 24 V

L'uscita a 24 V serve per l'alimentazione di una barriera fotoelettrica o di un interruttore di sicurezza a listello di contatto. Il collegamento va eseguito sui morsetti 1 e 4.

Istruzioni per l'uso

Aprire, chiudere o arrestare la porta del garage



Pericolo di ferite

Aprire o chiudere la porta del garage quando nell'area di rotazione della porta non si trovano persone oppure oggetti.

In caso d'interruzione dell'energia elettrica oppure in caso di guasto all'automazione, aprire la porta del garage esclusivamente con l'apertura d'emergenza dall'interno o dall'esterno. Se dopo l'azionamento dell'apertura d'emergenza la porta si apre solo con molta forza, è indispensabile rivolgersi ad un tecnico specializzato per porte di garage.

Conservare il telecomando manuale nell'autoveicolo in modo che durante il viaggio, per es. nella frenatura non possa provocare danni.



Attenzione!

Non esporre il telecomando manuale ad alte temperature (per es. all'irradiazione solare diretta nell'interno del veicolo).

- Rivolgere il telecomando verso la porta del garage e premere il tasto per 1–2 secondi.
oppure
- azionare il tasto (per es. pulsante a chiave).
 - L'illuminazione dell'apriporta resta accesa per 60 secondi dopo l'apertura o la chiusura della porta.



Reazione della porta in seguito a ripetuta attivazione del telecomando manuale e di pulsanti:

aprire – stop – chiudere – stop – aprire – stop – chiudere – stop ecc.

Apertura d'emergenza dall'interno

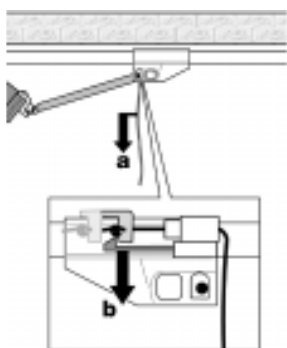
In casi d'emergenza oppure in caso d'interruzione dell'energia elettrica, la porta del garage può essere sganciata dalla motorizzazione ed aperta (manualmente) dall'interno.



Pericolo di ferite

La porta del garage aperta, se sganciata, può abbassarsi improvvisamente, se le molle sono deboli oppure rotte, o la porta non è sufficientemente bilanciata.

- Sganciare la motorizzazione della porta del garage, **a** tal fine tirare la cordicella.
 - La leva s'innesta e la porta del garage può essere aperta manualmente.
- Preparare la porta del garage per l'aggancio, a tal fine premere verso il basso la leva di plastica **b**.
- Portare infine manualmente la porta del garage nella posizione iniziale.
 - Quando la porta si aggancia si sente percettibilmente uno scatto.



Sostituire la batteria del telecomando manuale



Attenzione!

Pericolo in caso di errore nella sostituzione della batteria. Sostituire solo con lo stesso tipo di batteria. Usare batterie a tenuta di acido.

Pericolo per l'ambiente a causa di batterie esauste!

Non gettare le batterie esauste nei rifiuti domestici. Provvedere ad uno smaltimento ecologico. Osservare le istruzioni del produttore.



- Sostituire la batteria esausta con una batteria nuova.
 - Tipo della batteria: L1028/12 V

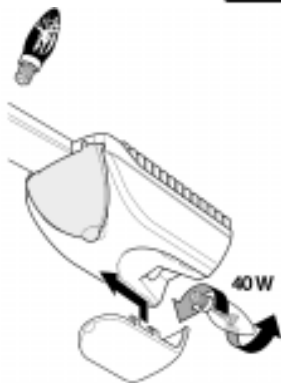
Sostituzione della lampadina ad incandescenza



Pericolo di scariche elettriche!

Prima di sostituire la lampadina estrarre la spina d'alimentazione.

- Staccare il coperchio dell'illuminazione dell'apriporta.
- Sostituire la lampadina ad incandescenza con una lampadina nuova (max. 40 W, virola E14).
- Applicare il coperchio ed arrestarlo.
- Inserire la spina d'alimentazione.



Controllare regolarmente



Attenzione!

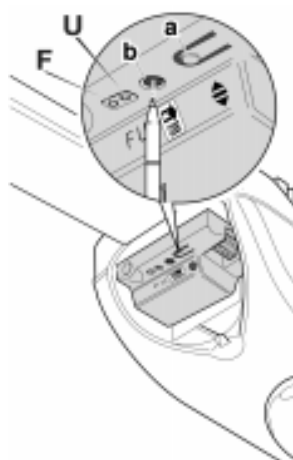
Non utilizzare l'impianto durante lavori di riparazione o regolazione al meccanismo della porta, poiché difetti nell'impianto oppure l'errato bilanciamento della porta possono causare ferite.

- Controllare le seguenti funzioni una volta al mese:
 - riconoscimento di ostacolo (vedi capitolo «Messa in funzione»),
 - corretto funzionamento di tutti gli accessori supplementari montati (specialmente i dispositivi di sicurezza).
- Controllare l'intero impianto (porta e motorizzazione) per accertare la funzionalità meccanica (usura, danni, specialmente a molle e punti di fissaggio), nonché l'impianto elettrico.

Che accade in caso d'interruzione dell'energia elettrica?

- Al ritorno dell'energia elettrica l'illuminazione dell'apriporta si accende per 1 secondo.
- All'impulso di comando seguente la porta del garage si solleva fino al fincorsa meccanico superiore (punto di riferimento) e poi torna indietro fino alla posizione finale superiore programmata.
- Se dopo ciò l'illuminazione dell'apriporta resta continuamente accesa, eseguire di nuovo la messa in funzione.

Eliminare da soli i guasti



Guasto	Causa possibile	Rimedio
Spia: luce continua dopo l'inserimento della spina d'alimentazione e/ o durante la messa in funzione.	Regolazione delle posizioni finali e/o prova di funzionamento non ancora concluse.	Reset con spina d'alimentazione: estrarre la spina d'alimentazione ed inserirla di nuovo. Eseguire la regolazione delle posizioni finali e la prova di funzionamento secondo le istruzioni per l'uso.
L'illuminazione dell'apriporta lampeggia regolarmente (al ritmo di un secondo).	Si è verificato un caso di ostacolo (per es. in seguito a riconoscimento di ostacolo oppure attivazione di un dispositivo di sicurezza, come barriera fotoelettrica, contatto della porta di servizio).	Rimuovere l'ostacolo, aprire/chiedere la porta del garage.
L'illuminazione dell'apriporta lampeggia irregolarmente (tre secondi spenta/ un secondo accesa).	Nel controllo dei componenti elettronici, il comando elettronico rileva un'irregolarità.	Reset: premere contemporaneamente per 5 secondi il tasto di comando a ed il tasto programmazione b . (L'illuminazione dell'apriporta lampeggia). Conferma del reset mediante luce continua. Regolare di nuovo le posizioni finali ed eseguire la prova di funzionamento. I telecomandi memorizzati non vengono in tal caso cancellati. Se l'illuminazione dell'apriporta lampeggia di nuovo irregolarmente durante la programmazione delle posizioni finali, consultare il servizio assistenza
L'illuminazione dell'apriporta non si accende.	Lampadina ad incandescenza fulminata.	Sostituire.
L'apriporta non funziona premendo il tasto sul telecomando.	Batteria del telecomando esaurita/inserita male.	Controllare la batteria, se necessario sostituirla.
	Codice non ancora memorizzato nel ricevitore.	Memorizzare il telecomando.
	Regolazione delle posizioni finali, prova di funzionamento non concluse.	Eseguire la regolazione delle posizioni finali, la prova di funzionamento e concludere. Poi memorizzare il telecomando.
L'apriporta non apre/ chiude parzialmente/ completamente la porta.	Danno al meccanismo della porta.	Controllare il meccanismo della porta. Farlo riparare da un tecnico specializzato per porte di garage.
	Circostanze esterne sfavorevoli (per es. forte pioggia) hanno fatto aumentare il peso della porta. L'apriporta riconosce la situazione come ostacolo.	Regolare di nuovo le posizioni finali ed eseguire la prova di funzionamento. I telecomandi memorizzati non vengono in tal caso cancellati. Se l'inconveniente persiste, consultare il servizio assistenza.
	Manca l'energia elettrica (il diodo luminoso U è spento).	Fare controllare da un tecnico specializzato se alla presa di rete è presente l'energia elettrica.

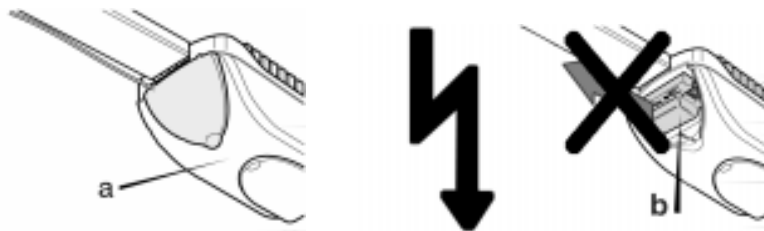
Servizio assistenza clienti

I guasti nel campo a 230 Volt devono essere riparati solo da elettricisti specializzati oppure dal servizio assistenza clienti convenzionato. In caso di ripetizione del guasto o di altri guasti rivolgersi alla più vicina officina d'assistenza convenzionata.



Attenzione!

Il coperchio (a) deve essere staccato solo da un tecnico specializzato a norma VDE 0100 (pericolo di scariche elettriche), altrimenti la garanzia si estingue.



Pericolo di scariche elettriche!

Eeguire lavori sul comando elettronico (b) solo dopo avere staccato l'alimentazione elettrica!
Non estrarre il comando elettronico!

Accessori

Questi accessori sono in vendita nel commercio specializzato. Il fornitore specializzato informa volentieri sulle motorizzazioni per garage SOMFY.

Accessori per la sicurezza supplementare

	SOMFY art. N°	Osservazioni
Apertura d'emergenza dall'esterno		
– Per porte basculanti/sezionali e ribaltabili con maniglia	9 000 018	Se il garage non dispone di un secondo accesso, è indispensabile montare un dispositivo d'apertura d'emergenza dall'esterno. Con esso la porta del garage può essere aperta (manualmente) dall'esterno in caso d'interruzione dell'energia elettrica/di guasti.
– per tutti i comuni tipi di porta con e senza maniglia (serratura per apertura d'emergenza)	9 000 032	
Contatto per porta di servizio	9 000 007	Impedisce all'apriporta l'apertura della porta del garage quando la porta di servizio (porticina nella porta del garage) non è chiusa.
Bloccaggio a terra	9 000 003*	
Set di bloccaggio senza chiavistello di chiusura a scatto	9 000 019*	
Bloccaggio laterale della porta	9 000 004*	
Barriera fotoelettrica	9 000 025	All'interruzione del raggio di luce la porta del garage si ferma immediatamente. In caso di movimento verso porta chiusa l'ostacolo viene liberato.
Luce di segnalazione	9 000 030	

* necessario braccio guida aggiuntivo (codice d'ordinazione N: 9 000 002)

Accessori per una maggiore comodità di comando

	SOMFY art. N°	Osservazioni
Pulsante a chiave sopra/ sotto intonaco	9 000 021	
Pulsante interno	9 000 008	
Pulsante a codice	9 000 028	
Telecomando manuale a 2 canali, grigio chiaro	1 800 037	433,42 MHz
Telecomando manuale a 4 canali, Fun	1 800 035	433,42 MHz
Telecomando manuale a 4 canali, grigio oscuro	1 800 029	433,42 MHz

Accessori per particolari condizioni di montaggio

	SOMFY art. N°	Osservazioni
Sospensione a soffitto	9 000 034	Per sospensione fino a max. 270 mm.
Guida forata per sospensione dell'apriporta per garage	9 000 001	Lunghezza totale 1 m per sospensione fino a 400 mm.
Sospensione a soffitto (telescopica)	9 000 042	Per sospensione fino a max. 1.500 mm.
Prolungamento del braccio guida.	9 000 006*	Impiego in caso di architrave largo (fino a max. 400 mm), quando il braccio guida tocca l'architrave.
Asta di prolunga	9 000 005*	Necessaria in caso d'insufficiente distanza fra bordo superiore della porta e soffitto del garage e se l'apriporta per garage viene spostato completamente verso dietro (fino a max. 2,5 m).
Ferramenta per porta a battenti	9 000 009	Larghezza battenti max. 1,5 per ogni battente; per altre indicazioni, vedi «Utilizzabilità».
Ferramenta per porta sezionale	9 000 016	Per segmenti di porta di 300–500 mm di altezza.
Staffa di fissaggio	9 000 040	Per il rinforzo dell'elemento sezionale superiore.
Braccio guida curvo	9 000 023	Per porte sezionali, quando la guida d'arresto e di fissaggio sul segmento di porta non è necessaria.
Braccio di sollevamento	9 000 015	Per porte ribaltabili con guide di scorrimento verticali.
Set di prolungamento guida	9 000 031	Prolungamento di max. 700 mm.

* necessario braccio guida aggiuntivo (codice d'ordinazione N: 9 000 002)

Dichiarazione del produttore



(Vedi pagina 230)

Il produttore SOMFY GmbH, Felix-Wankel-Straße 50, D-72108 Rottenburg a. N., dichiara con la presente:

La motorizzazione per garage, tipo KEASY L+, KEASY XL+ è conforme alla Direttiva macchine 99/5/CEE, 98/37/CEE secondo DIN EN 12453:2001, DIN EN 60335-1:1995, e DIN EN 60335-2-95:2001.

Avvertenza:

La messa in funzione della porta, sulla quale questa motorizzazione per garage sarà montata, è vietata finché non è stato accertato che la porta è conforme alle norme della direttiva 98/37/CEE.

Rottenburg, il 16.02.2004



Per il Direttore del Design Center
Il delegato Dieter Thomas

Spis treści

Spis treści	72
Symbole użyte w niniejszej instrukcji obsługi	73
Wskazówki dotyczące usuwania opakowania i zużytego urządzenia.....	73
Dla własnego bezpieczeństwa.....	74
Zastosowanie zgodne z przeznaczeniem	74
Ważne wskazówki bezpieczeństwa	74
Wskazówka dla osób z elektronicznym stymulatorem pracy serca	74
Wyposażenie bezpieczeństwa.....	74
Przygotowanie do montażu	75
Opis urządzenia.....	75
Dane techniczne	75
Zastosowanie.....	76
Wymiary maksymalne bramy garażowej	76
Stabilność nadproża i stropu garażu.....	76
Mechanika bramy	76
Podłączenie do sieci elektrycznej	76
Dodatkowe wyposażenie bezpieczeństwa.....	77
Instrukcja montażu	77
Ważne wskazówki zapewniające bezpieczny montaż.....	77
Sprawdzić zawartość opakowania	77
Przypadki warunków na miejscu montażu / przykłady.....	78
Montaż wstępny mechanizmu zdalnego otwierania bramy garażu	78
Montaż	78
Instrukcja nastawiania	79
Uruchamianie.....	79
Nastawianie i zmiana krańcowych położenia bramy garażu	80
Nastawianie (wczytywanie) nadajnika ręcznego	81
Sprawdzanie systemu rozpoznania przeszkody	82
Podłączanie wyposażenia	82
Przygotowanie.....	82
Fotokomórka, styki drzwi dodatkowych, listwa styków bezpieczeństwa	83
Przycisk wewnętrzny, kodujący i z kluczem	83
Lampka ostrzegawcza	84
Wyjście o napięciu 24 V.....	84
Instrukcja użytkowania i obsługi	84
Otwieranie, zamykanie i zatrzymywanie bramy garażu	84
Awaryjne otwieranie bramy	84
Wymiana baterii nadajnika ręcznego (pilota)	85
Wymiana żarówki oświetlenia	85
Regularne kontrole	85
Co się stanie, jeżeli nastąpi przerwa w dopływie prądu?	85
Usuwanie zakłóceń w działaniu urządzenia.....	86
Sami usuwamy drobne usterki	86
Serwis	87
Wyposażenie.....	87
Wyposażenie zwiększające bezpieczeństwo	87
Wyposażenie zwiększające komfort obsługi.....	88
Wyposażenie do specjalnych warunków montażu	88
Deklaracja producenta.....	88

Symbole użyte w niniejszej instrukcji obsługi

**Uwaga! Ważna wskazówka bezpieczeństwa.**

Ze względu na zapewnienie bezpieczeństwa osób przestrzeganie tych wskazówek jest obowiązkowe (nieprzestrzeganie zagraża życiu).

**Ostrożnie! Wskazówka bezpieczeństwa.**

Nieprzestrzeganie grozi zranieniem osób lub uszkodzeniem rzeczy.

**Wskazówka:**

Oznacza wskazówki dotyczące zastosowania i ważne informacje.

**Niebezpieczeństwo porażenia prądem elektrycznym!**

Przed przystąpieniem do wszelkich prac należy wyjąć wtyczkę z gniazdka sieciowego.



Stosować tylko w suchych pomieszczeniach.



Otworzyć składane kartki na początku instrukcji.



Otworzyć składane kartki na końcu instrukcji.



Podaje numer rysunku należącego do wskazówki, który znajduje się na rozkładanych kartkach.

- Punktem oznaczone są wskazówki podające sposób postępowania.
 - Kreską oznaczone są punkty, których należy szczególnie przestrzegać.

Wskazówki dotyczące usuwania opakowania i zużytego urządzenia



Proszę przestrzegać przy wymianie starego urządzenia na nowe:

- Stare urządzenia nie są żadnym bezwartościowym odpadem. Poprzez oddanie w odpowiednich punktach zbioru można odzyskać cenne surowce wtórne.

Niektóre części posmarowane są olejem, który chroni przed rdzą nowy mechanizm otwierania bramy na czas jego transportu i składowania. Części zabrudzone olejem, które pozostaną po zamontowaniu mechanizmu, opakowanie i zatłuszczone ścierki proszę usunąć w sposób zgodny z przepisami o ochronie środowiska.

Materiały zastosowane na opakowanie są nieszkodliwe dla środowiska i nadają się do przeróbki wtórnej. Proszę usunąć opakowanie w sposób zgodny z przepisami o ochronie środowiska.

Starych baterii ani nadajnika (pilota) nie wolno wyrzucać do domowych śmieci.

Informacje dotyczące sposobu usuwania opakowania i zużytego urządzenia można uzyskać w punkcie zakupu, albo w urzędzie miasta lub gminy.

Dla własnego bezpieczeństwa

Zastosowanie zgodne z przeznaczeniem

Mechanizm przeznaczony jest dla bram zgodnie z normą EN 12604 lub EN 13241 z uwzględnieniem sił roboczych i wskazówek podanych w instrukcji użytkowania i obsługi.

Mechanizm otwierania bramy garażu przeznaczony jest wyłącznie



- do automatycznego otwierania i zamykania bram garażowych,
- do zastosowania w suchych pomieszczeniach,
- do użytkowania w prywatnym zakresie,
- do zastosowania zgodnie z opisem i wskazówkami bezpieczeństwa podanymi w niniejszej instrukcji użytkowania i obsługi.

Każde inne zastosowanie uważane jest za niezgodne z przeznaczeniem.

Ważne wskazówki bezpieczeństwa



Uwaga!

Ze względu na zapewnienie bezpieczeństwa osób należy obowiązkowo przestrzegać następujących wskazówek bezpieczeństwa (nieprzestrzeganie zagraża życiu).



- Instrukcję użytkowania i obsługi należy starannie przechowywać i przekazać ewentualnemu kolejnemu właścicielowi urządzenia. Instrukcję należy dokładnie przeczytać przed montażem mechanizmu zdalnego otwierania bramy i przestrzegać podanych w niej wskazówek, a szczególnie wskazówek bezpieczeństwa.
- Poszczególne czynności należy przeprowadzić w opisanej kolejności, a po montażu zapoznać się dokładnie z obsługą mechanizmu zdalnego otwierania bramy.
- Należy zastosować wyłącznie załączony lub zalecany materiał mocujący, oryginalne części zamienne i wyposażenie dodatkowe.
- Po pierwszym uruchomieniu należy zapoznać wszystkich użytkowników z działaniem i obsługą mechanizmu.
- Krawędzie i mechanizm bramy garażu stwarzają niebezpieczeństwo zmiążdżenia lub przecięcia. Dlatego bramę garażu otwierać i zamykać tylko wtedy, gdy obszar jej wychylenia znajduje się w polu naszego widzenia i nie znajdują się tam żadne osoby, zwierzęta, ani rzeczy.
- Nadajnik ręczny (pilot) należy przechowywać w taki sposób, aby wykluczyć niezamierzone użycie, np. przez bawiące się dzieci.
- Mechanizm otwierania bramy montować tylko na bramach ustawionych prawidłowo i zrównoważonych ciężarowo. Niewłaściwie ustawiona brama może spowodować zranienie użytkownika.
- Przed przystąpieniem do pracy przy bramie lub mechanizmie otwierania należy zawsze najpierw wyjąć wtyczkę z gniazdka sieciowego.
- Uszkodzony elektryczny przewód zasilający należy natychmiast wymienić (wymianę zlecić uprawnionemu specjalście elektrykowi).
- Nie wolno nigdy wkładać rąk do biegnącej bramy ani części znajdujących się w ruchu.

Wskazówka dla osób z elektronicznym stymulatorem pracy serca

Moc sygnału nadawanego przez nadajnik (pilot) znajduje się w zakresie określonym obowiązującymi normami i w zasadzie jest nieszkodliwa. W celu wykluczenia ewentualnego drobnego ryzyka negatywnego wpływu na działanie stymulatora zaleca się profilaktycznie uruchamianie nadajnika nie bezpośrednio przy ciele. Dla własnego bezpieczeństwa proszę trzymać i uruchamiać nadajnik w wyprostowanej ręce skierowanej do bramy garażu.

Wyposażenie bezpieczeństwa



Wyposażenie bezpieczeństwa chroni przed zranieniem osób i uszkodzeniem rzeczy.

Dlatego nie wolno nigdy wyłączać wyposażenia bezpieczeństwa, ani umyślnie obchodzić jego działania.

System automatycznego rozpoznania przeszkody

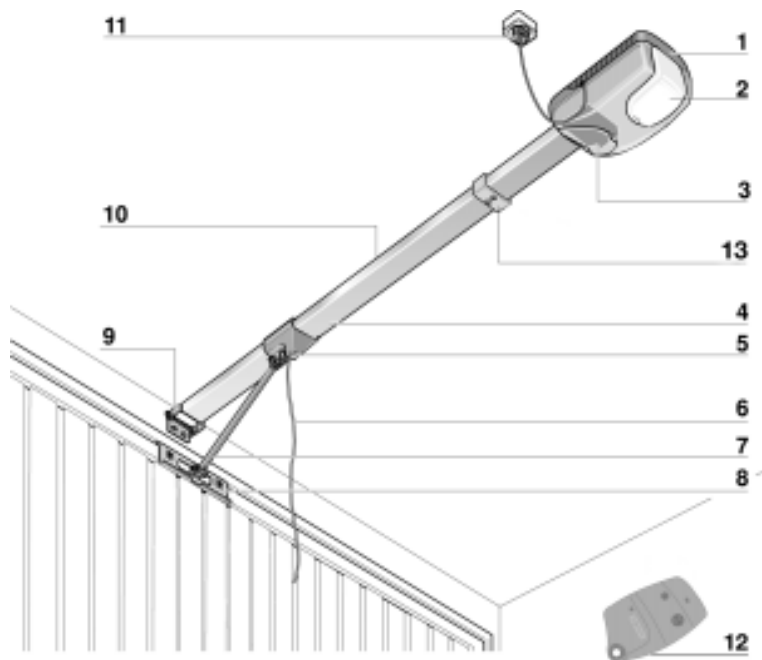
Przy ruchu otwieranie bramy, po najechaniu na przeszkodę ruch bramy garażowej zostanie natychmiast zatrzymany.

Przy ruchu zamykanie bramy, po najechaniu na przeszkodę ruch bramy garażowej zostanie natychmiast zatrzymany i nastąpi uwolnienie przeszkody, brama cofa się do górnego mechanicznego oporu końcowego (punkt odniesienia), a następnie z powrotem do zaprogramowanego górnego położenia końcowego.

- Raz w miesiącu należy sprawdzić prawidłowość działania tej funkcji (patrz rozdział „Uruchamianie“).
- Dodatkowo zaleca się montaż kolejnych elementów wyposażenia bezpieczeństwa (patrz „Wyposażenie“).

Przygotowanie do montażu

Opis urządzenia



- | | |
|---|--|
| 1. Korpus mechanizmu | 8. Kątownik mocujący skrzydło bramy |
| 2. Oświetlenie mechanizmu | 9. Kątownik mocujący do nadproża/sufitu |
| 3. System elektroniczny | 10. Łańcuch ze zwrotnicą łańcucha (z osłoną) |
| 4. Szyna prowadząca | 11. Wtyczka sieciowa |
| 5. Prowadnik | 12. Nadajnik ręczny (pilot) |
| 6. Mechaniczne otwieranie bramy od wewnątrz | 13. Mechaniczny opór krańcowy |
| 7. Ramię prowadzące | |

Dane techniczne



	KEASY L ⁺	KEASY XL ⁺
Ciężar	~15 kg	~15 kg
Siła nacisku/ciągu	do 500 N nastawialna bezstopniowo ¹⁾	do 700 N nastawialna bezstopniowo ¹⁾
Miękki start/miękki stop	tak, bezstopniowy	tak, bezstopniowy
Zakres temperatury	-20 °C.....+50 °C	-20 °C.....+50 °C
Wymiary		
Długość montażowa	3,30 m	3,30 m
Długość skoku	2,50 m ²⁾	2,50 m ²⁾
Układ elektryczny		
Przyłącze sieciowe	230 V/50 Hz~	230 V/50 Hz~
Maks. moc pobierana	300 W	300 W
Moc pobierana w trybie stand by	< 4 W	< 4 W
Rodzaj ochrony	IP 20 (pomieszczenia suche)	IP 20 (pomieszczenia suche)
Rodzaj pracy	S2 praca krótkotrwała	S2 praca krótkotrwała
Żarówka	maks. 40 W/E14	maks. 40 W/E14
Częstotliwość fali radiowej	UKF 433,42 Mhz	UKF 433,42 Mhz

CE 06810

- 1) samoucząca
2) 3,00 m z przedłużaczem szyny

Zastosowanie

KEASY L⁺ / KEASY XL⁺

Nadaje się do zastosowania dla:

- bram uchylnych
- sufitowych bram sekcyjnych (konieczne są specjalne okucia do bram sekcyjnych, patrz „Wyposażenie“)
- bram skrzydłowych (konieczne są specjalne okucia do bram skrzydłowych, patrz „Wyposażenie“)
Oprócz tego musi być zmieniony kierunek biegu mechanizmu otwierania bramy. Konieczne informacje uzyskacie Państwo w punkcie zakupu albo w najbliższym autoryzowanym punkcie serwisowym.
(Proszę przestrzegać wskazówek zawartych w instrukcji montażu okuć bramy skrzydłowej)

KEASY XL⁺

Nadaje się do zastosowania dla:

- bram podnoszonych (konieczne jest ramię podnoszące, patrz „Wyposażenie“).
- bocznych bram sekcyjnych (konieczne są specjalne okucia).

Wymiary maksymalne bramy garażowej

	KEASY L ⁺	KEASY XL ⁺
Powierzchnia bramy lekkie, np. blaszane bramy ciężkie, np. drewniane	do 7,5 m ² do 6,0 m ²	do 12,0 m ² do 7,5 m ²
Wysokość sufitowe bramy sekcyjne pozostałe bramy z przedłużeniem szyny (patrz „Wyposażenie“)	do 2,3 m do 2,3 m ponad 2,3 m do 3,0 m	do 2,3 m do 2,3 m ponad 2,3 m do 3,0 m

Stabilność nadproża i stropu garażu

Dopuszczalne obciążenie nadproża i stropu co najmniej:

- KEASY L⁺: 700 N
- KEASY XL⁺: 900 N



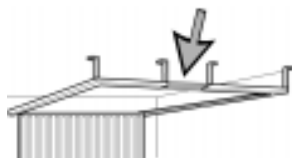
Przy wierceniu otworów zwracać uwagę na grubość stropu (np. stropy betonowe gotowych garaży)!
Wymagana głębokość wierconego otworu na kołki rozporowe i wkręty należące do zakresu dostawy: **53 mm**

W dostarczonym zestawie są zawarte markowe, standardowe kołki rozporowe. W razie potrzeby należy użyć specjalnych kołków rozporowych, odpowiednich do podłoża na miejscu montażu.

Mechanika bramy

Proszę sprawdzić, czy brama garażowa otwiera i zamyka się ręcznie łatwo i bez zahaczania. Jeżeli tak nie jest, należy zlecić poprawienie mechaniki odpowiedniemu specjalistcie.

Jeżeli szyny prowadzące bramy garażu stabilizowane są łącznikiem poprzecznym, ramię prowadzące mechanizmu otwierania bramy może uderzać o ten łącznik. W takim przypadku należy łącznik podzielić i częściowo usunąć, patrz przykład na rysunku obok. Aby zachować stabilność przymocować pozostałe części do sufitu.



Podłączenie do sieci elektrycznej

Proszę sprawdzić, czy gniazdko elektryczne 230 V znajduje się w odpowiedniej odległości od mechanizmu otwierania bramy.

- Długość elektrycznego przewodu zasilającego: **ok. 1 m**

Jeżeli tak nie jest, zlecić doprowadzenie gniazdka sieciowego uprawnionemu specjalistcie elektrykowi.



Dodatkowe wyposażenie bezpieczeństwa



Awaryjne otwieranie bramy z zewnątrz

Jeżeli oprócz bramy nie ma żadnego innego wejścia do garażu należy zainstalować dźwignię lub zamek awaryjnego otwierania z zewnątrz (patrz „Wyposażenie“). Dzięki temu bramę garażu można otworzyć z zewnątrz (ręcznie) np. w razie braku prądu lub wystąpienia awarii.



Mechaniczny opór krańcowy

Aby umożliwić uruchomienie i bezawaryjną pracę po zatrzymaniu bramy na przeszkodzie, bieg bramy garażu musi być koniecznie ograniczony stałym mechanicznym oporem krańcowym (należy do zakresu dostawy).



Zamki zatraskowe

Mechanizm zdalnego zamykania hamuje samoczynnie i zabezpiecza bramę skutecznie przed nieprawym otwarciem. Wszystkie istniejące zamki zatraskowe bramy garażu należy zautomatyzować (patrz „Wyposażenie“), usunąć, albo wyłączyć.

Instrukcja montażu

Ważne wskazówki zapewniające bezpieczny montaż



Uwaga!

Niewłaściwy montaż może spowodować poważne obrażenia. Proszę przestrzegać wszystkich wskazówek dotyczących montażu!

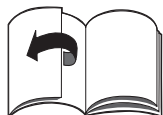
Pomoc drugiej osoby ułatwi Państwu sprawne przeprowadzenie montażu.



Ostrożnie!

Przy wierceniu otworów nad głową założyć okulary ochronne.

W celu ochrony przed pyłem przykryć korpus mechanizmu otwierania przed przystąpieniem do wiercenia.



Sprawdzić zawartość opakowania

Aby umożliwić sprawny montaż bez konieczności jego przerywania, należy sprawdzić zawartość opakowania przed przystąpieniem do montażu:

- czy zawiera wszystkie części,
- czy części nie są uszkodzone.

Uszkodzonych części nie wolno montować! Proszę zgłosić się do punktu zakupu urządzenia.



Wskazówka:

Elementy **AA** wykonane z pianki służą do wytłumienia odgłosów łańcucha.



Przygotować wszystkie narzędzia konieczne do montażu.

Przypadki warunków na miejscu montażu / przykłady

Gdzie zamontować kątownik mocujący do nadproża/sufitu i korpus mechanizmu zdalnego otwierania bramy?

(na przykładzie bramy uchylnej)



3

W celu zapewnienia optymalnego przenoszenia sił mechanizm otwierania należy zamontować nad najwyższym punktem biegu bramy najbliższym, jak to możliwe.

- Wyznaczyć najwyższy punkt biegu bramy **a** (**a** = minimalna odległość drzwi bramy od sufitu garażu). Zależnie od wyznaczonej wartości mamy do dyspozycji różne możliwości montażu.

4

1. Odległość **a** od 38 mm do 140 mm

- Mechanizm otwierania bramy garażu zamontować na suficie.
- Kątownik montażowy do nadproża/sufitu zamocować na nadprożu lub suficie (lepiej na nadprożu).
- Przy montażu do nadproża zachować odległość 15 mm.

5

2. Odległość **a** większa niż 140 mm

- Kątownik montażowy do nadproża/sufitu zamocować na nadprożu w odległości 50 mm pomiędzy dolną krawędzią szyny i najwyższym punktem biegu bramy.
- Mechanizm otwierania bramy garażu zamontować poniżej sufitu (konieczna szyna dziurkowana, patrz „Wyposażenie“).

6

3. Odległość **a** mniejsza niż 38 mm

- Kątownik montażowy do nadproża/sufitu i mechanizm otwierania bramy garażu zamocować na suficie z tyłu za otwartą bramą (konieczna szyna przedłużająca, patrz „Wyposażenie“). Zwrócić uwagę na długość całkowitą.

Montaż wstępny mechanizmu zdalnego otwierania bramy garażu



7

- Złączki szyny **B** wsunąć do szyny prowadzącej **A**, aż do oporu i połączyć razem części szyny prowadzącej.
- Wkładki z białej pianki **AA** do tłumienia odgłosów zagiać na wgłębieniu.
- Wkładki wcisnąć w środek każdej z czterech części **A** szyny prowadzącej.
- Zmontowaną wstępnie szynę prowadzącą wsunąć do korpusu mechanizmu otwierania bramy **C**.

8

- Prowadnik **D** nasunąć na szynę prowadzącą.
- Połączyć przednią zwrotnicę łańcucha **E, F, G** i wsunąć do szyny prowadzącej.

9

- W celu ułatwienia rozwinięcia łańcucha **J** można odczepić pokrywę opakowania małych części i użyć ją jako podkładkę.
- Nadmiar oleju zetrzeć z łańcucha ścierką.

10

- Łańcuch rozwinąć w szynie prowadzącej.
 - Łańcuch należy przeprowadzić przez prowadnik **D** i zaczepić na zabieraku **I**. W tym celu wyczepić prowadnik (dźwignia metalowa musi zaskoczyć w dźwigni z tworzywa sztucznego).
- Zabierak **I** połączyć po obu stronach zamkiem łańcuchowym **H** z łańcuchem **J**.



11

- W celu założenia łańcucha do zwrotnicy **F** należy ścisnąć mocno sprężynę **E**. Do pomocy użyć ramię prowadzące **M**.
 - Łańcuch musi leżeć właściwie w prowadnicy i nie może być przekreślony.

12

- Zamocować linkę **O** dźwigni otwierania awaryjnego.
- Założyć pokrywę zębniaka **N**.



13

Montaż

- Kątownik mocujący skrzydło bramy **K** zamontować na ramie skrzydła bramy.
 - Śrubę mocującą włożyć pionowo lub poziomo.

14

- Kątownik mocujący **L** zamontować na suficie lub na nadprożu zależnie od warunków (patrz „Warunki na miejscu montażu / przykłady“). Głębokość wierconych otworów 5,3 cm.

15

- Zdjąć pokrywę.
- Mechanizm otwierania bramy połączyć z kątownikiem mocującym.
 - Śrubę przykręcić luźno. Śruba może mieć luz, ponieważ nakrętka jest samokontrująca.

16

- Korpus mechanizmu zamocować na suficie, głębokość wierconego otworu 5,3 cm.
 - Zwrócić uwagę na współśrodkowe ustawienie korpusu mechanizmu z bramą garażu (proszę porównać z kątownikiem mocującym **K** na skrzydle bramy).

17

- Ramię prowadzące **M** połączyć z kątownikiem mocującym (za pomocą **Q**, **Y**) i przewodnikiem. Śruby mogą mieć luz, ponieważ nakrętki są samokontrujące.

Przy bramach bez stabilnego mechanicznego oporu krańcowego zamocować kątownik **Z** jako opornik krańcowy w następujący sposób:

- Bramę garażu całkowicie otworzyć. Przy całkowicie otwartej bramie opornik krańcowy musi znajdować się bezpośrednio za przewodnikiem.
- Zaznaczyć otwory wiercenia i wywiercić otwory wiertłem do metalu o średnicy \varnothing 3,6 mm.
- Kątownik oporu krańcowego zamocować śrubą rozciąganą do blach **ZZ**.

- Sprawdzić ręcznie bieg bramy. Przewodnik musi być przy tym odblokowany.
- Bramę garażu całkowicie otworzyć i zamknąć.

18

- Przy zamkniętej bramie garażu przygotować do zaczeplenia mechanizm otwierania, w tym celu nacisnąć w dół dźwignię z tworzywa sztucznego. Jak tylko dźwignia metalowa wyskoczy, następuje ponowna blokada. Na zakończenie poprowadzić ręcznie bramę do pozycji „brama otwarta“, tzn. przewodnik zaczepia się na zabieraku.

Instrukcja nastawiania

Uruchamianie



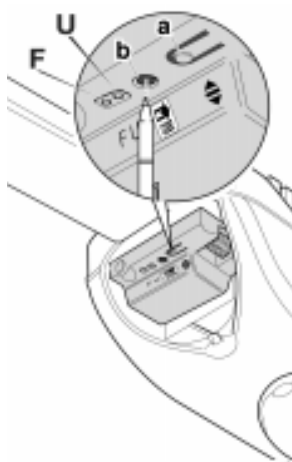
Niebezpieczeństwo zranienia!

Przy uruchamianiu i nastawianiu w obszarze ruchu bramy garażu nie mogą znajdować się żadne osoby, zwierzęta, ani rzeczy.



Wskazówka:

Stale włączone oświetlenie może ogrzać mocno osłonę oświetlenia. Dlatego przy pierwszym uruchomieniu zdjąć osłonę.



- Wtyczkę elektrycznego przewodu zasilającego włożyć do gniazdka. Oświetlenie mechanizmu zamykania bramy świeci się ciągle.
- Sprawdzić, czy zabierak łańcucha zaskoczył w przewodniku. Brama garażu nie może dać się poruszyć ręcznie.

- F** Dioda świetlna, świeci się przy odbiorze sygnału radiowego
- U** Dioda świetlna, świeci się, jeżeli urządzenie jest pod napięciem
- a** przycisk obsługi
- b** przycisk programowania

Nastawianie i zmiana krańcowych położeń bramy garażu

Proces zawiera zawsze nastawienie dolnego i górnego położenia krańcowego oraz bieg testowy.

Jako górne położenie krańcowe określa się położenie prowadnika przy całkowicie otwartej bramie.

Jako dolne położenie krańcowe określa się położenie prowadnika przy całkowicie zamkniętej bramie.

Nastawianie musi być przeprowadzone w zadanej kolejności i jest zakończone, jeżeli oświetlenie mechanizmu otwierania zgaśnie. Dopiero wtedy można wyłączyć nadajnik ręczny (pilot).



Ostrożnie!

Konieczny jest stabilny opór krańcowy jako ogranicznik drogi bramy (górne położenie krańcowe), w przeciwnym przypadku przy nastawianiu mechanizm będzie iść dalej i może uszkodzić system mechaniczny bramy.

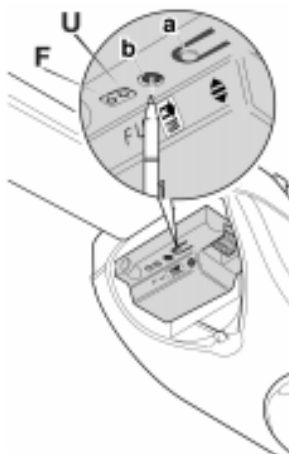


Wskazówka:

Przycisk programowania tylko lekko nacisnąć (np. długopisem).

Jeżeli zajdzie konieczność przerwania procesu nastawiania, wyjąć wtyczkę z gniazdka sieciowego. Po włożeniu wtyczki do gniazdka można zacząć nastawianie od początku.

Minimalny odstęp pomiędzy położeniem krańcowym dolnym i górnym wynosi 30 cm. Mniejszej odległości nie da się zaprogramować.



1. Nastawianie górnego położenia krańcowego bramy

- Przycisk programowania **b** nacisnąć na co najmniej 2 sekundy (długopisem), aż oświetlenie mechanizmu otwierania zgaśnie.
 - Oświetlenie mechanizmu otwierania ponownie się włącza.
 - Jeżeli oświetlenie miga, przycisk programowania był naciśnięty za krótko. W takim przypadku wyjąć wtyczkę z gniazdka sieciowego i ponownie ją włożyć. Nastawianie poprowadzić od początku.
- Przycisk obsługi **a** nacisnąć krótko (ok. 1 sekundę).
 - Mechanizm otwierania bramy będzie iść w kierunku „brama otwarta”, aż do mechanicznego oporu krańcowego i cofa się z powrotem ok. 5 cm.
 - Korektura tego położenia jest możliwa, w tym celu nacisnąć przycisk obsługi **a** i przytrzymać wciśnięty, aż do uzyskania odpowiedniego położenia. Każde naciśnięcie przycisku zmienia kierunek biegu.
- Jeżeli odpowiednie położenie krańcowe jest nastawione:
 - Nacisnąć przycisk programowania **b**, aż oświetlenie mechanizmu otwierania zgaśnie.
 - Oświetlenie mechanizmu otwierania ponownie się włącza.

Górne położenie krańcowe zapisane jest w pamięci mechanizmu otwierania bramy.

2. Nastawianie dolnego położenia krańcowego bramy

- Przycisk obsługi **a** nacisnąć i przytrzymać wciśnięty, aż brama garażu całkowicie się zamknie (opór mechaniczny).
 - W razie potrzeby dolne położenie krańcowe można zmienić przyciskiem obsługi **a** (patrz punkt poprzedni).
 - W celu ochrony systemu mechanicznego bramy przed szybkim zużyciem dolne położenie krańcowe nastawić w taki sposób, aby uniemożliwić zbyt mocny nacisk bramy na opór mechaniczny.
- Nacisnąć przycisk programowania **b**, aż oświetlenie mechanizmu otwierania zgaśnie.
 - Oświetlenie mechanizmu otwierania ponownie się włącza.

Dolne położenie krańcowe zapisane jest w pamięci mechanizmu otwierania bramy.

3. Przeprowadzenie biegu testowego

- Nacisnąć krótko przycisk obsługi **a** i zaczekać, aż brama garażu całkowicie się otworzy.
- Przycisk obsługi **a** nacisnąć ponownie i zaczekać, aż brama garażu całkowicie się zamknie.
 - Oświetlenie mechanizmu otwierania wyłączy się.

Proces nastawiania jest zakończony.

Jeżeli bieg testowy wykazał błąd nastawienia, należy powtórzyć cały proces nastawiania od początku.

Bieg testowy jest kompletnie zakończony tylko wtedy, jeżeli nie zostanie przerwany. W czasie biegu testowego mechanizm otwierania bramy pracuje z pełną siłą i „uczy się” przy tym automatycznie, jaka siła konieczna jest do otwarcia i zamknięcia bramy. Przy każdym kolejnym biegu mechanizm poprawia siłę automatycznie (co jest ważne np. zimą, gdy brama garażu porusza się trudniej).

Nastawianie (wczytywanie) nadajnika ręcznego

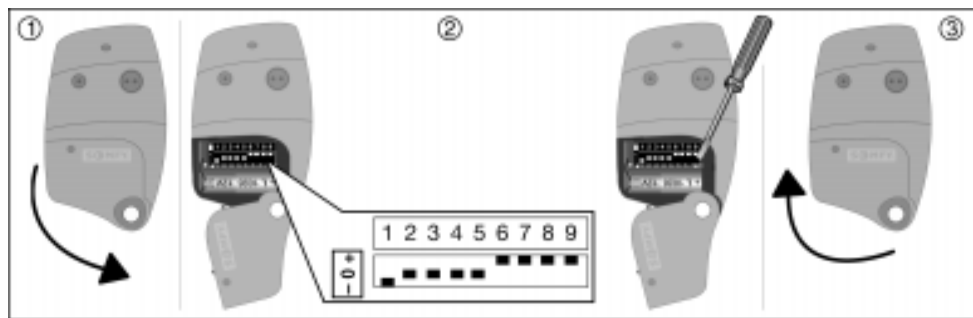
1. Nastawianie kodu bezpieczeństwa



Wskazówka do systemu Somfy Security System:

Ze względów bezpieczeństwa co najmniej jeden wyłącznik musi być nastawiony na + lub 0, tylko wtedy nadajnik ręczny może zostać wczytany przez mechanizmu zdalnego otwierania bramy. Oznacza to, że kod bezpieczeństwa „- - - - -” jest nieważny.

Proszę zakodować nadajnik ręczny osobistym kodem bezpieczeństwa. W tym celu należy:

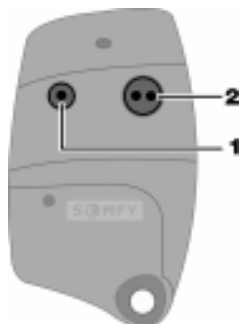


- Zdjąć pokrywę obudowy ręcznego nadajnika (1).
- Nastawić odpowiedni kod np. za pomocą wkrętaka (2).
 - Dowolnie wybrane przełączniki 1 do 9 nastawić na wartości +/- lub 0.
- Zamknąć pokrywę nadajnika ręcznego (3).

Nadajnik ręczny może zostać teraz wczytany przez mechanizmu zdalnego otwierania bramy.

2. Wczytywanie nadajnika ręcznego do mechanizmu otwierania bramy

Przed rozpoczęciem programowania nadajnika ręcznego wybrać jeden z jego dwóch przycisków (**1** lub **2**) jako przycisk obsługi. Tylko poprzez ten wybrany przycisk można potem obsługiwać mechanizm otwierania bramy garażu. Przycisk ten nazwany jest w następującym dalszym opisie jako „przycisk 1”.



- Przycisk programowania **b** mechanizmu otwierania bramy nacisnąć krótko (ok. 1 sekundę).
 - Oświetlenie mechanizmu otwierania miga.
 - Jeżeli oświetlenie mechanizmu otwierania miga trwale, przycisk programowania **b** był naciśnięty za długo. W takim przypadku wyjąć wtyczkę z gniazdka sieciowego i ponownie ją włożyć. „Wczytywanie nadajnika ręcznego” zacząć od nowa.
- Odpowiedni przycisk 1 nadajnika ręcznego nacisnąć co najmniej 2 sekundy, aż oświetlenie mechanizmu otwierania zgaśnie i zacznie ponownie migać.
- Ten sam przycisk nadajnika ręcznego nacisnąć ponownie ok. 2 sekundy, aż oświetlenie mechanizmu otwierania zgaśnie, a na zakończenie ponownie na krótko zaświeci się.

Nadajnik ręczny został wczytany do mechanizmu otwierania.

- Po zakończeniu procesu wczytywania nałożyć osłonę systemu elektronicznego i osłonę oświetlenia mechanizmu otwierania **CC**.



3. Kolejne nadajniki ręczne

Po wczytaniu jednego nadajnika ręcznego można używać kolejne nadajniki bez konieczności ich wczytywania przy spełnieniu następujących warunków:

- Nastawiony jest ten sam kod bezpieczeństwa.
- Używa się tego samego przycisku obsługi (przycisk 1).

4. Wymazywanie nadajnika ręcznego z pamięci

Wymazanie wczytanych nadajników ręcznych z pamięci następuje poprzez zapisanie dotychczasowych wartości nowymi wartościami.

Następuje to poprzez:

- wczytanie nowego przycisku nadajnika ręcznego, albo
- wczytanie nadajnika ręcznego z nowym kodem bezpieczeństwa (patrz nastawianie kodu bezpieczeństwa).



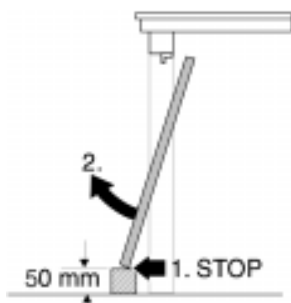
Wskazówka:

Wymazanie nadajnika z pamięci oznacza wymazanie wszystkich nadajników ręcznych, w których zaprogramowano ten sam kod bezpieczeństwa i ten sam przycisk obsługi.

Sprawdzanie systemu rozpoznania przeszkody

Opisane czynności wykonać przy uruchamianiu, a następnie 1 raz w miesiącu.

- Odpowiednią przeszkodę o wysokości co najmniej 50 mm (np. drewniany klocek) położyć na drodze bramy garażu w ruchu „zamykanie bramy“.
- Włączyć zamykanie bramy garażu.
 - Po natrafieniu na przeszkodę brama garażu zatrzymuje się, otwiera się do górnego, mechanicznego oporu krańcowego, a następnie cofa się do zaprogramowanego, górnego położenia krańcowego.
 - Oświetlenie mechanizmu otwierania miga w taktcie jednosekundowym.
- Przy ponownym wystartowaniu mechanizmu zamykania bramy garażu oświetlenie przestaje migać.
 - Jeżeli tak nie jest, proszę zwrócić się do autoryzowanego serwisu.



Podłączanie wyposażenia

Przygotowanie



Niebezpieczeństwo porażenia prądem elektrycznym

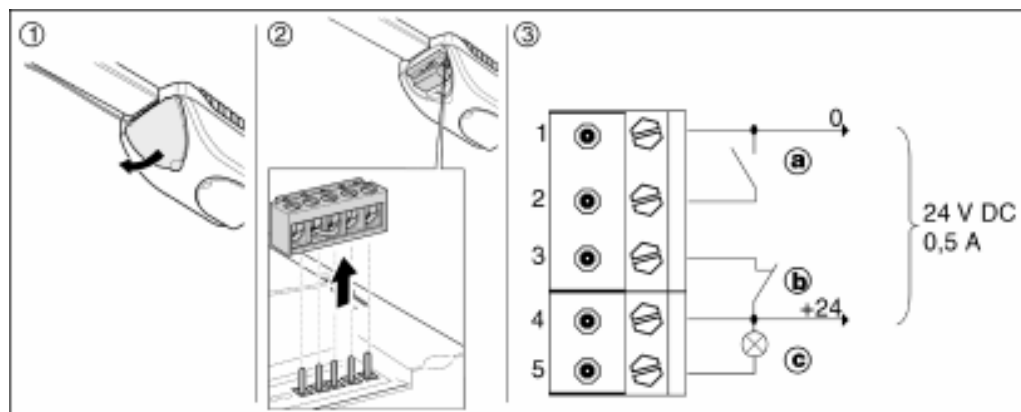
Przed przystąpieniem do podłączania wyjąć wtyczkę z gniazdka sieciowego.



Ostrożnie!

Podłączać tylko oryginalne wyposażenie i tylko zgodnie z instrukcją. Zakładać tylko styki beznapięciowe, bez napięcia zakłócającego!

- Zdjąć osłonę systemu elektronicznego (1).



- W celu podłączenia przewodów przyłączeniowych zdjąć listwę zaciskową (2).

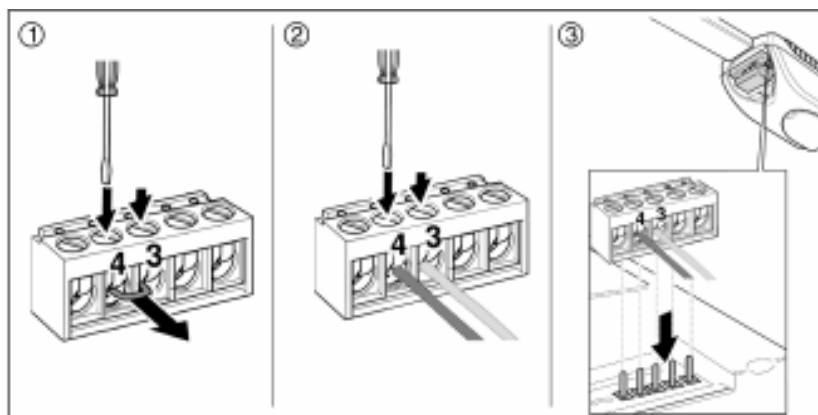
Obłożenie przyłączy (3):

- **a** przyłączy przycisków
- **b** przyłączy fotokomórki
- **c** przyłączy lampki ostrzegawczej



Uwaga!

Podłączenie wyposażenie bezpieczeństwa zlecić uprawnionemu specjalście.



- Zaciski przyłączeniowe 3 i 4 otwierać kolejno (małym wkrętakiem) (1). Usunąć zworę drucianą.
- Przewody przyłączeniowe wsunąć do zacisków 3 i 4, przykręcić (2).
- Założyć ponownie listwę zaciskową (3).
- Wtyczkę włożyć do gniazdka sieciowego, sprawdzić prawidłowość działania.



Wskazówka:

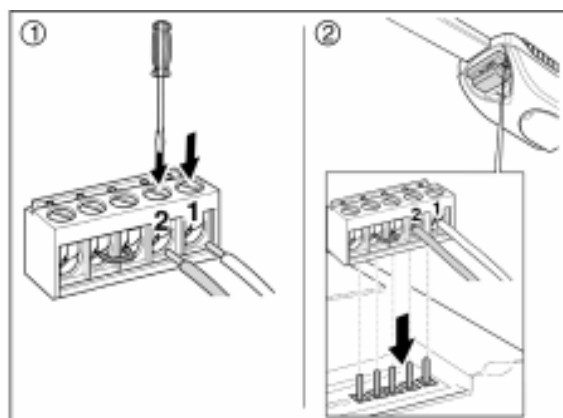
Kilka elementów wyposażenia bezpieczeństwa należy podłączyć szeregowo.

Przycisk wewnętrzny, kodujący i z kluczem



Przyciski zamocować:

- w zasięgu wzroku od bramy garażu,
- w odpowiedniej odległości od poruszających się części,
- przycisk wewnętrzny na wysokości co najmniej 1,5 m.
- Zaciski przyłączeniowe 1 i 2 otwierać kolejno (małym wkrętakiem).



- Przewody przyłączeniowe wsunąć do zacisków, przykręcić (1).
- Założyć ponownie listwę zaciskową (2).
- Wtyczkę włożyć do gniazdka sieciowego, sprawdzić prawidłowość działania.



Wskazówka:

Kilka przycisków należy podłączyć równolegle.

Lampka ostrzegawcza

Lampka ostrzegawcza miga w czasie ruchu bramy.

- Lampkę ostrzegawczą podłączyć na wyjściu do zacisków 4 i 5.

Wyjście o napięciu 24 V

Wyjście o napięciu 24 V służy do zasilania fotokomórki albo kontaktowej listwy bezpieczeństwa. Podłączenie wykonać na zacisku 1 i 4.

Instrukcja użytkowania i obsługi

Otwieranie, zamykanie i zatrzymywanie bramy garażu



Niebezpieczeństwo zranienia

Bramę garażu otwierać i zamykać tylko wtedy, jeżeli w obszarze ruchu bramy nie znajdują się żadne osoby, zwierzęta, ani rzeczy.

W przypadku awarii w dopływie prądu, albo awarii mechanizmu zdalnego otwierania otworzyć bramę tylko i wyłącznie poprzez awaryjne otwieranie od wewnątrz lub z zewnątrz (odłączenie od mechanizmu i otwieranie ręczne). Jeżeli wtedy daje się uruchomić bramę tylko ze zwiększoną siłą, należy niezwłocznie wezwać autoryzowany serwis.

Nadajnik ręczny przechowywać w samochodzie w takim miejscu, aby w czasie jazdy, np. przy hamowaniu nie spowodował żadnych szkód.



Ostrożnie!

Nadajnika ręcznego nie pozostawiać pod działaniem wysokich temperatur (np. bezpośrednie działanie słońca na nadajnik leżący w samochodzie).

- Nadajnik ręczny skierować na bramę garażu i nacisnąć przycisk nadajnika na około 1 do 2 sekund. albo
- Nacisnąć przycisk (np. przycisk z kluczem).
 - Oświetlenie mechanizmu pozostaje włączone po otwarciu lub zamknięciu bramy jeszcze około 60 sekund.



Przebieg przy wielokrotnym naciśnięciu włączeniu nadajnika ręcznego lub naciśnięciu przycisku:

otwieranie – stop – zamykanie – stop – otwieranie – stop – zamykanie – stop itd.

Awaryjne otwieranie bramy

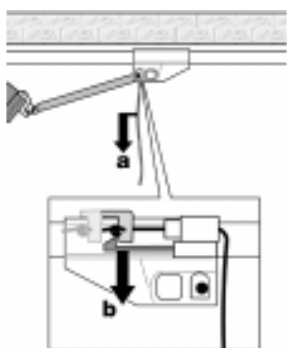
W przypadku wystąpienia niebezpieczeństwa lub braku napięcia w sieci elektrycznej można odłączyć bramę od mechanizmu otwierania i otworzyć ją od wewnątrz (ręcznie).



Niebezpieczeństwo zranienia

Otwarta brama garażu może spaść na dół po odłączeniu od mechanizmu zdalnego otwierania, ponieważ sprężyny są za słabe lub złamane, albo brama nie jest zrównoważona.

- Odłączyć bramę od mechanizmu otwierania pociągając linkę **a**.
 - Dźwignia zatrzaskuje i bramę garażu można otworzyć ręcznie.
- Bramę garażu przygotować do zaczepienia do mechanizmu otwierania, w tym celu dźwignię z tworzywa sztucznego **b** nacisnąć na dół.
- Na zakończenie poprowadzić bramę ręcznie do położenia wyjściowego.
 - Przy zaczepianiu daje się słyszeć wyraźny „klik”.



Wymiana baterii nadajnika ręcznego (pilota)



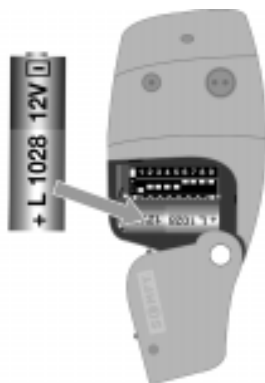
Ostrożnie!

Niewłaściwe postępowanie przy wymianie baterii zagraża niebezpieczeństwem. Baterie wymienić tylko na nowe baterie tego samego typu. Zastosować baterie zabezpieczone przed wylaniem.

Zagrożenie środowiska poprzez zużyte baterie!

Zużytych baterii nie wolno wyrzucać do domowych śmieci. Proszę zwracać uwagę, aby baterie usunąć w sposób zgodny z zasadami ochrony środowiska. Przestrzegać wskazówek podanych przez producenta baterii.

- Zużyte baterie wymienić na nowe.
 - Typ baterie: L1028/12 V



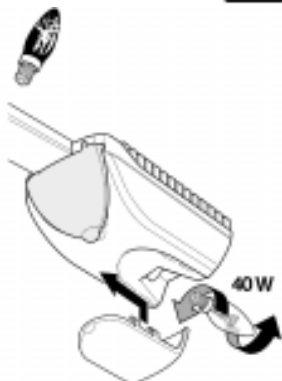
Wymiana żarówki oświetlenia



Niebezpieczeństwo porażenia prądem elektrycznym!

Przed przystąpieniem do wymiany żarówki wyjąć wtyczkę z gniazdka sieciowego.

- Zdjąć osłonę oświetlenia mechanizmu otwierania.
- Zepsutą żarówkę wymienić na nową (maks. 40 W, gwint E14).
- Założyć ponownie osłonę i wcisnąć, aż do zatrzasku.
- Wtyczkę włożyć do gniazdka sieciowego.



Regularne kontrole



Uwaga!

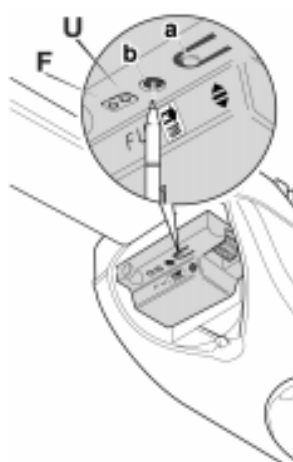
W czasie naprawy i nastawiania systemu mechanicznego bramy nie używać mechanizmu zdalnego otwierania bramy, ponieważ błąd zdalnego otwierania lub niewłaściwie zrównoważona brama może spowodować zranienie.

- Raz w miesiącu sprawdzać następujące elementy:
 - system rozpoznania przeszkody (patrz rozdział „Uruchamianie”)
 - działanie wszystkich zamontowanych dodatkowo elementów wyposażenia (w szczególności wyposażenia bezpieczeństwa)
- Sprawdzić mechaniczne działanie całego zespołu (brama i mechanizm zdalnego otwierania), sprawdzić stopień zużycia i uszkodzenia sprężyn lub elementów mocujących, sprawdzić system elektroniczny.

Co się stanie, jeżeli nastąpi przerwa w dopływie prądu?

- Oświetlenie mechanizmu zdalnego otwierania świeci się po powrocie zasilania około 1 sekundę.
- Przy następnym impulsie obsługi brama garażu biegnie do górnego mechanicznego oporu krańcowego (punkt odniesienia) i z powrotem za zaprogramowanego górnego położenia krańcowego.
- Jeżeli potem oświetlenie mechanizmu zdalnego otwierania dalej się świeci, ponownie przeprowadzić uruchomienie.

Sami usuwamy drobne usterki



Zakłócenie	Możliwa przyczyna	Czynności
Wskaźnik optyczny: Oświetlenie mechanizmu jest stale włączone po włożeniu wtyczki do gniazdka sieciowego i/ lub przy uruchamianiu.	Nastawianie położenia krańcowego i/lub bieg testowy nie są jeszcze zakończone.	Reset wtyczki: wtyczkę wyjąć z gniazdka i ponownie włożyć. Przeprowadzić nastawianie położenia krańcowego i bieg testowy zgodnie z instrukcją.
Oświetlenie mechanizmu otwierania miga regularnie (takt jednosekundowy).	W ten sposób sygnalizowane jest zadziałanie wyposażenia bezpieczeństwa (np. rozpoznanie przeszkody lub zadziałanie fotokomórki, styku drzwi dodatkowych).	Usunąć przeszkodę. Bramę garażu otworzyć /zamknąć.
Oświetlenie mechanizmu otwierania miga nieregularnie (trzy sekundy WYŁĄCZ, jedna sekunda WŁĄCZ).	Przy kontroli elementów elektronicznych system elektroniczny rozpoznał nieprawidłowości.	Reset: Przyciski obsługi a i programowania b nacisnąć równocześnie 5 sekund. (Oświetlenie mechanizmu otwierania miga). Potwierdzenie przyjęcia reset poprzez świecenie ciągle. Nastawić na nowo położenia krańcowe i przeprowadzić bieg testowy. Wczytane nadajniki ręczne nie zostaną wymazane z pamięci. Jeżeli przy programowaniu położenia krańcowego oświetlenie zacznie ponownie nieregularnie migać, należy wezwać autoryzowany serwis.
Oświetlenie mechanizmu zdalnego otwierania nie działa.	Żarówka jest uszkodzona.	Wymienić.
Mechanizm zdalnego otwierania bramy nie reaguje przy włączaniu nadajnika ręcznego.	Baterie nadajnika ręcznego są zużyte lub nieprawidłowo założone.	Sprawdzić baterie, w razie potrzeby wymienić.
	Kod nadajnika nie został wczytany do odbiornika.	Zameldować nadajnik ręczny.
	Proces nastawiania położenia krańcowego, bieg testowy nie jest zakończony.	Przeprowadzić do końca nastawianie położenia krańcowego i bieg testowy. Następnie zameldować nadajnik ręczny.
Mechanizm zdanego otwierania bramy nie otwiera/zamyka bramy albo czyni to niecałkowicie.	Uszkodzenie mechanicznego systemu bramy.	Sprawdzić system mechaniczny bramy. Zlecić naprawę uprawnionemu specjalście.
	Niekorzystne warunki zewnętrzne (np. obfity deszcz) zwiększyły ciężar bramy. Mechanizm zdalnego otwierania rozpoznaje sytuację jako przeszkodę.	Przeprowadzić ponownie nastawienie położenia krańcowego i bieg testowy. Wczytane nadajniki ręczne nie będą przy tym wymazane z pamięci. Jeżeli awaria pozostanie, proszę wezwać autoryzowany serwis.
	Brak napięcia sieci elektrycznej (dioda świetlna U nie świeci się)	Zlecić uprawnionemu elektrykowi sprawdzenie, czy gniazdko znajduje się pod napięciem.

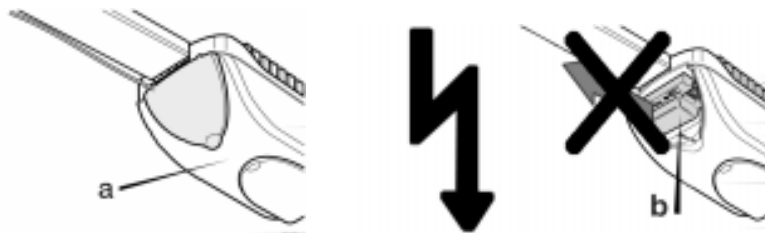
Serwis

Zakłócenia w systemie napięcia 230 V może usunąć tylko uprawniony specjalista elektryk lub autoryzowany serwis. W przypadku wystąpienia zakłóceń, które ciągle się powtarzają, albo innych zakłóceń niż opisane w tej instrukcji proszę zwrócić się do autoryzowanego serwisu.



Uwaga!

Ze względu na niebezpieczeństwo porażenia prądem elektrycznym pokrywę (a) może zdejmować tylko uprawniony specjalista zgodnie z przepisem VDE 0100 (przepis niemiecki). W przeciwnym przypadku wygasa prawo do roszczeń gwarancyjnych.



Niebezpieczeństwo porażenia prądem elektrycznym!

Prace przy elektronicznym systemie sterującym (b) można wykonywać tylko w stanie bez napięcia! Nie wyjmować elektronicznego systemu sterującego!

Wyposażenie

Niżej wymienione wyposażenie można nabyć w sklepach specjalistycznych. Dalsze informacje uzyskacie Państwo w punktach sprzedaży mechanizmów zdalnego otwierania SOMFY.

Wyposażenie zwiększające bezpieczeństwo

	Nr katalogowy SOMFY	Uwagi
Awaryjne otwieranie z zewnątrz		
- dla bram uchylnych, sekcyjnych i podnoszonych z klamką	9 000 018	Jeżeli garaż nie ma drugiego wejścia, należy koniecznie zamontować awaryjne otwieranie z zewnątrz. Dzięki temu bramę garażu można otworzyć z zewnątrz (ręcznie) np. w przypadku braku prądu lub awarii.
- dla wszystkich rodzajów bram z klamką lub bez (zamek otwierania awaryjnego)	9 000 032	
Styki drzwi dodatkowych	9 000 007	Uniemożliwia włączenie bramy przez mechanizm zdalnego sterowania w przypadku otwarcia drzwi dodatkowych (drzwi w bramie).
Blokada podłogowa	9 000 003*	
Zestaw blokady bez zapadki zatraskowej	9 000 019*	
Boczna blokada bramy	9 000 004*	
Fotokomórka	9 000 025	Przerwanie promienia świetlnego zatrzymuje natychmiast bramę. Przy ruchu „zamykanie bramy” nastąpi zwolnienie przeszkody.
Lampka ostrzegawcza	9 000 030	

* konieczne dodatkowe ramię prowadzące (nr katalogowy 9 000 002)

Wypożyczenie zwiększające komfort obsługi

	Nr katalogowy SOMFY	Uwagi
Przycisk z kluczem na/pod tynk	9 000 021	
Przycisk wewnętrzny	9 000 008	
Przycisk kodujący	9 000 028	
Pilot 2-kanałowy, jasnoszary	1 800 037	433,42 MHz
Pilot 4-kanałowy, Fun	1 800 035	433,42 MHz
Pilot 4-kanałowy, ciemnoszary	1 800 029	433,42 MHz

Wypożyczenie do specjalnych warunków montażu

	Nr katalogowy SOMFY	Uwagi
Kątownik do montażu poniżej sufitu	9 000 034	Do podwieszania maks. do 270 mm pod sufitem.
Szyna dziurkowana do montażu mechanizmu otwierania poniżej sufitu	9 000 001	Długość całkowita 1 m do podwieszania maks. do 400 mm pod sufitem.
Przegub do montażu mechanizmu otwierania poniżej sufitu	9 000 042	Do podwieszania maks. do 1.500 mm pod sufitem.
Przedłużenie ramienia prowadzącego	9 000 006*	Zastosowanie do szerokiego nadproża (maks. do 400 mm), jeżeli ramię prowadzące przystaje do nadproża.
Drażek przedłużający	9 000 005*	Konieczny w przypadku zbyt małej odległości pomiędzy górną krawędzią skrzydła bramy i sufitem garażu, w celu przesunięcia mechanizmu otwierania całkiem do tyłu (maks. do 2,5 m).
Okucia do bramy skrzydłowej	9 000 009	Szerokość bramy maks. 1,5 m na skrzydło. Dodatkowe informacje patrz „Zastosowanie“.
Okucia do bramy sekcyjnej	9 000 016	Wysokość segmentu bramy 300–500 mm.
Uchwyt mocujący	9 000 040	Do wzmocnienia górnego segmentu sekcyjnego.
Wygięte ramię prowadzące	9 000 023	Do bram sekcyjnych, jeżeli nie są konieczne szyny mocujące na segmencie bramy.
Ramię podnoszące	9 000 015	Do bram podnoszonych z pionowymi szynami prowadzącymi.
Zestaw przedłużaczy szyn	9 000 031	Maks. przedłużenie 700 mm

* konieczne dodatkowe ramię prowadzące (nr katalogowy 9 000 002)

Deklaracja producenta



(patrz strona 230)

Producent SOMFY GmbH, Felix-Wankel-Str. 50, D-72108 Rottenburg a.N. oświadcza niniejszym:

Mechanizm zdalnego otwierania bramy, typ KEASY L+, KEASY XL+ spełnia warunki wytycznych 99/5/EG, 98/37/EG dla maszyn, zgodnie z normami DIN EN 12453:2001, DIN EN 60335-1:1995, E DIN EN 60335-2-95:2001.

Wskazówka:

Uruchomienie bramy, w której ma być zamontowany ten mechanizm zdalnego otwierania jest tak długo zabronione, dopóki nie stwierdzi się, że brama spełnia warunki wytycznych 98/37/EG.

Rottenburg, 16.02.2004

Kierownik Design Center
w zast. Dieter Thomas

Obsah

Obsah	89
Symboly použité v tomto návodu	90
Pokyny k likvidaci	90
Pro Vaši bezpečnost	91
Stanovené použití	91
Důležitá bezpečnostní upozornění	91
Upozornění pro uživatele kardiostimulátorů.....	91
Bezpečnostní zařízení	91
Příprava vestavění	92
Na první pohled	92
Technické údaje	92
Použitelnost	93
Maximální rozměry garážových vrat	93
Stabilita překladu a stropu garáže	93
Stávající mechanika vrat	93
Připojení na síť	93
Dodatečná bezpečnostní zařízení	94
Montážní návod	94
Důležité pokyny pro bezpečnou montáž	94
Kontrola obsahu balení	94
Montážní situace/příklady	95
Předběžná montáž pohonu garážových vrat	95
Montáž	95
Návod k nastavení	96
Uvedení do provozu	96
Nastavení/změna koncových poloh garážových vrat.....	97
Učení ručního vysílače	98
Kontrola zjištění překážky	99
Připojení příslušenství	99
Příprava	99
Světelná závora, kontakt průchozích dveří, bezpečnostní kontaktní lišta	100
Vnitřní tlačítko, kódovací tlačítko, klíčové tlačítko	100
Výstražné světlo	101
Výstup 24 V	101
Návod k obsluze	101
Otevření, zavření nebo zastavení garážových vrat	101
Vnitřní nouzové odblokování	101
Výměna baterie v ručním vysílači	102
Výměna žárovky	102
Pravidelně kontrolujte	102
Co se stane, bylo-li přerušeno elektrické napájení?	102
Pomoc při funkčních poruchách	103
Odstranění poruch vlastními silami	103
Servis	104
Příslušenství	104
Příslušenství pro dodatečnou bezpečnost	104
Příslušenství pro větší komfort obsluhy.....	105
Příslušenství pro zvláštní montážní podmínky	105
Prohlášení výrobce	105

Symbole použité v tomto návodu



Pozor! Důležité bezpečnostní upozornění.

Pro bezpečnost osob je životně důležité dodržování těchto upozornění.



Varování! Bezpečnostní upozornění.

Při nedodržování hrozí poranění nebo věcné škody.



Upozornění:

Označuje tipy k použití a důležité informace.



Nebezpečí úrazu elektrickým proudem!

Před veškerými pracemi vytáhněte síťovou zástrčku.



Použití pouze v suchých prostorech.



Otevřete vyklápěcí stránky vpředu.



Otevřete vyklápěcí stránky vzadu.



Na vyklápěcích stránkách udává číslo obrázku, patříciho k některému upozornění.

- Bod označuje manipulační pokyn!
 - Pomocí čárky se upozorňuje na body, které je nutno zejména dodržovat.

Pokyny k likvidaci



Dodržujte je prosím, použijete-li některý pohon vrat, který je k dispozici:

- Použité pohony vrat nejsou žádný bezcenný odpad. Prostřednictvím ekologické likvidace lze regenerovat cenné suroviny.

K ochraně Vašeho nového pohonu vrat před rezavěním při přepravě a uskladnění jsou některé díly naolejovány. Při montáži příslušné části obalu a čisticí hadry znečištěné olejem ekologicky zlikvidujte.

Použité obalové materiály jsou neškodné životnímu prostředí a lze je recyklovat. Odstraňte obal s ohledem na životní prostředí.

Baterie dálkového ovládání nepatří do domovního odpadu.

O aktuálních likvidačních postupech se informujte u Vašeho odborného prodejce nebo u obecní správy.

Pro Vaši bezpečnost

Stanovené použití

Pohon je vhodný pro vrata podle normy EN 12604, popř. EN 13241 při zohlednění provozních sil a dodržování návodu k obsluze.

Používejte tento pohon garážových vrat výhradně



- k automatickému otvírání a zavírání garážových vrat,
- v suchých prostorech,
- v privátním sektoru,
- podle popisů uvedených v tomto návodu k obsluze a bezpečnostních upozornění.

Každé jiné použití platí jako nestanovené použití.

Důležitá bezpečnostní upozornění



Pozor!

Pro bezpečnost osob je životně důležité uposlechnutí všech pokynů:

- Uchovejte tyto pokyny a při změně majitele je předejte novému majiteli. Před montáží si kompletně přečtěte tento návod a dodržujte zejména bezpečnostní upozornění.
- Provádějte pracovní kroky v popsaném pořadí a seznamte se s obsluhou.
- Používejte výhradně přiložený nebo doporučený upevňovací materiál, originální náhradní díly a příslušenství.
- Po uvedení do provozu seznamte všechny uživatele s funkcí a obsluhou pohonu garážových vrat.
- Na uzavíracích hranách a mechanice garážových vrat je nebezpečí přimáčknutí a smyku. Otvírejte a zavírejte garážová vrata pouze tehdy, vidíte-li sklopnou oblast vrat a nezdržují-li se tam žádné osoby.
- Uložte ruční vysílač tak, aby byl vyloučený nechtěný provoz, např. hrajícími si dětmi.
- Namontujte pohon vrat pouze na správně ustavená a vyvážená garážová vrata. Nesprávně vyvážená vrata mohou způsobit poranění.
- Před pracemi na vratech nebo pohonu vrat vždy vytáhněte síťovou zástrčku.
- Poškozený síťový kabel nechte okamžitě vyměnit (pouze odborníkem s elektrotechnickou kvalifikací).
- Nesahejte na pohybující se vrata nebo pohyblivé díly.



Upozornění pro uživatele kardiostimulátorů

Vysílací výkon ručního vysílače leží v rozsahu příslušných norem a je v zásadě nezávadný. K vyloučení malého zbývajícího rizika preventivně doporučujeme nezapínat ruční vysílač přímo na těle. Pro Vaši bezpečnost držte ruční vysílač v natažené ruce směrem ke garážovým vratům.

Bezpečnostní zařízení



Bezpečnostní zařízení chrání před poraněním a věcnými škodami.

Neuvádějte bezpečnostní zařízení nikdy mimo provoz nebo je úmyslně neobcházejte.

Automatické zjištění překážky

Při najetí na překážku při pohybu vrat nahoru se pohyb garážových vrat zastaví.

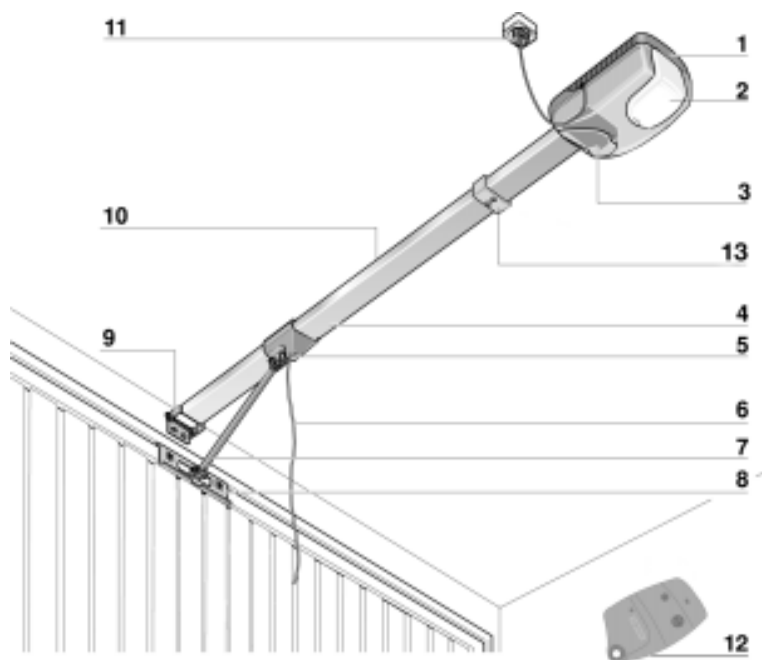
Při najetí při pohybu vrat dolů se překážka hned potom uvolní, garážová vrata se pohybují až k hornímu mechanickému dorazu (vztažnému bodu) a potom až k naprogramované horní koncové poloze.

- Zkontrolujte nejméně jednou měsíčně funkci (viz kapitola "Uvedení do provozu").

Současně doporučujeme namontování dalších bezpečnostních zařízení (viz "Příslušenství").

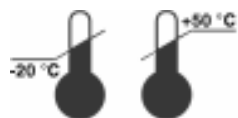
Příprava vestavění

Na první pohled



- | | |
|--------------------------------|--|
| 1. Hnací hlava | 8. Upevňovací úhelník křídla vrat |
| 2. Osvětlení pohonu | 9. Přidržovací úhelník překlad/strop |
| 3. Elektronika | 10. Řetěz s vratným transportem řetězu (zakrytý) |
| 4. Pojezdová kolejnice | 11. Síťová zástrčka |
| 5. Pojezdový vozík | 12. Ruční vysílač |
| 6. Vnitřní nouzové odblokování | 13. Mechanický koncový doraz |
| 7. Vodicí rameno | |

Technické údaje



	KEASY L ⁺	KEASY XL ⁺
Hmotnost	~ 15 kg	~ 15 kg
Tlačná /tažná síla	do 500 N plynule ¹⁾	do 700 N plynule ¹⁾
Softstart/softstop	ano, plynulý	ano, plynulý
Teplotní rozsah	-20 °C.....+50 °C	-20 °C.....+50 °C
Rozměry		
Montážní délka	3,30 m	3,30 m
Délka zdvihu	2,50 m ²⁾	2,50 m ²⁾
Elektrotechnika		
Elektrické napájení	230 V/50 Hz~	230 V/50 Hz~
Max. příkon	300 W	300 W
Pohotovostní spotřeba	< 4 W	< 4 W
Druh krytí	IP 20	IP 20
Druh provozu	krátkodobý provoz S2	krátkodobý provoz S2
Žárovka	max. 40 W/E14	max. 40 W/E14
Rádiový kmitočet	VKV 433,42 MHz	VKV 433,42 MHz

CE 06810

- 1) samoučící
2) 3,00 m s prodloužením kolejnice

Použitelnost

KEASY L⁺ / KEASY XL⁺

Použitelné pro:

- Výkyvná vrata
 - Stropní sekční vrata (je potřebné kování sekčních vrat, viz "Příslušenství")
 - Křídlová vrata (je potřebné kování křídlových vrat, viz "Příslušenství")
- Současné musíte změnit směr běhu pohonu. Informace nutné k tomuto účelu obdržíte prostřednictvím Vašeho odborného prodejce nebo nejbližšího smluvního servisu. (viz také návod k obsluze pro kování křídlových vrat).

KEASY XL⁺

Použitelné pro:

- Sklopná vrata (je potřebné zvedací rameno, viz "Příslušenství").
- Stranová sekční vrata (je potřebné kování).

Maximální rozměry garážových vrat

	KEASY L ⁺	KEASY XL ⁺
Plochy lehká vrata, např. plechová vrata těžká vrata, např. dřevěná vrata	do 7,5 m ² do 6,0 m ²	do 12,0 m ² do 7,5 m ²
Výšky stropní sekční vrata ostatní garážová vrata se sadou prodloužení kolejnic (viz "Příslušenství")	do 2,3 m do 2,3 m přes 2,3 do 3,0 m	do 2,3 m do 2,3 m přes 2,3 do 3,0 m

Stabilita překladu a stropu garáže

Minimální zatížitelnost překladu a stropu:

- KEASY L⁺: 700 N
- KEASY XL⁺: 900 N



Při vrtání dbejte na tloušťku stropu (např. betonové stropy prefabrikovaných garáží)!

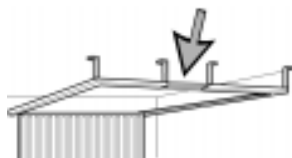
Potřebné hloubky děr pro dodávané hmoždinky a šrouby: 53 mm

V rozsahu dodávky jsou standardní značkové hmoždinky. V případě potřeby použijte speciální hmoždinky, které jsou pro podklad vhodné.

Stávající mechanika vrat

Je možné garážová vrata lehce rukou otevřít a zavřít, aniž by se vzpříčila? Pokud ne, je nutno nechat mechaniku vrat opravit odborníkem na garážová vrata.

Jsou-li pojezdové kolejnice garážových vrat stabilizované pomocí příčných spojení, může vodící rameno pohonu garážových vrat na toto příčné spojení narazit. V takových případech lze toto spojení oddělit a částečně odstranit, viz příklad na obrázku. K obnovení stability upevněte zbývající dílčí kusy na strop.



Připojení na síť

Je k dispozici v potřebné vzdálenosti od pohonu vrat síťová přípojka 230 V?

- Délka síťového kabelu: **cca. 1 m**

Jestliže není, nechte ji položit odborníkem s elektrotechnickou kvalifikací.



Dodatečná bezpečnostní zařízení



Venkovní nouzové odblokování

Není-li do garáže žádný druhý přístup, musíte bezpodmínečně namontovat venkovní nouzové odblokování (viz "Příslušenství"). Tím lze, např. při výpadku elektrického proudu/poruchách otevírat garážová vrata zvenku (ručně).



Mechanický koncový doraz

Pro uvádění do provozu a bezchybnou činnost po najetí na překážku se musí bezpodmínečně omezit chod garážových vrat prostřednictvím pevného mechanického koncového dorazu (v rozsahu dodávky).



Zablokování vrat

Pohon garážových vrat je samosvorný a drží vrata zavřená. Stávající blokování garážových vrat automatizujte (viz "Příslušenství"), odstraňte nebo uveďte mimo provoz.

Montážní návod

Důležité pokyny pro bezpečnou montáž



Pozor!

Nesprávná montáž může vést k vážným poraněním. Dodržujte všechny montážní pokyny! Pomoc další osoby montáž usnadní.



Varování!

Při vrtání "nad hlavou" noste ochranné brýle.
K ochraně před prachem zakryjte před vrtáním hnací hlavu.



Kontrola obsahu balení

Abyste mohli montovat bez přerušení, zkontrolujte před montáží obsah balení na

- úplnost součástí,
- řádný stav součástí.

Poškozené součásti nemontujte! Spojte se s Vaším odborným prodejcem.



Upozornění:

Díly z pěnové hmoty **AA** slouží k odhlučnění řetězu.



Připravte si pro montáž všechno potřebné nářadí.

Montážní situace/příklady

Kde se namontuje přídržovací úhelník překlad/strop a hnací hlava?

(Na příkladu výkvných vrat)



3

K optimálnímu přenosu sil se má pohon zásadně namontovat pokud možno co nejtěsněji nad nejvyšší bod chodu vrat.

- Zjištění nejvyššího bodu chodu vrat **a** (**a** = minimální vzdálenost křídla vrat ke stropu garáže). Podle zjištěného rozměru existují různé možnosti namontování.

4

1. Rozměr **a** od 38 mm do 140 mm
 - Namontujte pohon garážových vrat na strop.
 - Upevněte montážní úhelník překlad/strop na překlad nebo strop (přednostně na překlad).
 - Při montáži na překlad dodržte odstup 15 mm.

5

2. Rozměr **a** je větší než 140 mm
 - Namontujte montážní úhelník překlad/strop na překlad s odstupem 50 mm mezi spodní hranou kolejnice a nejvyšším bodem chodu vrat.
 - Zavěste pohon garážových vrat na strop (je potřebná děrovaná kolejnice, viz "Příslušenství").

6

3. Rozměr **a** je menší než 38 mm
 - Namontujte montážní úhelník překlad/strop a pohon garážových vrat za otevřená garážová vrata na strop (je potřebná prodlužovací tyč, viz "Příslušenství"). Dbejte na celkovou délku.

Předběžná montáž pohonu garážových vrat



7

- Nasuňte spojky kolejnic **B** až na dorazy na vodící kolejnici **A** a zasuňte dohromady díly vodící kolejnice.
- Zlomte na lomu vrstvy bílé pěnové hmoty **AA** k odhlučnění.
- Sevřete tlumiče hluku uprostřed 4 vodících kolejnic **A**.
- Nasuňte předmontované vodící kolejnice na hnací hlavu **C**.

8

- Nasuňte pojezdový vozík **D** na vodící kolejnice.
- Zastrčte dohromady přední vratný transport řetězu **E, F, G** a nasuňte jej na vodící kolejnici.

9

- Ke snadnému odvíjení řetězu **J** můžete utrhnout víko balení drobných dílů a použít je jako podložku.
- Setřete hadrem přebytečný olej na řetězu.

10

- Odvíjejte řetěz do pojezdové kolejnice.
 - Bezpodmínečně protáhněte řetěz přes pojezdový vozík **D** na stranu unášeče **I**. K tomuto účelu odpojte pojezdový vozík (kovová páka musí zaskočit do plastové páky).
- Spojte pomocí řetězového zámku **H** unášeč **I** na obou stranách s řetězem **J**.



11

- K vložení řetězu do vratného transportu řetězu **F** musíte silou stlačit pružinu **E**. K tomuto účelu můžete jako pomůcku použít vodící rameno **M**.
 - Řetěz musí být správně vložen do svého vedení a nesmí být překroucen.

12

- Upevněte šňůru nouzového odblokování **O**.
- Nasadte kryt pastorku **N**.

Montáž



13

- Namontujte na rám křídla vrat upevňovací úhelník křídla vrat **K**.
 - Upevňovací šrouby umístěte horizontálně nebo vertikálně.

14

- Podle montážní situace namontujte přídržovací úhelník **L** na strop nebo na překlad (viz "Montážní situace/ příklady"). Hloubka děr vrtání je 5,3 cm.

15

- Sundejte krytku.
- Spojte pohon garážových vrat s přídržovacím úhelníkem.
 - Šroub volně utáhněte. Šroub smí mít vůli, protože matice je samosvorná.

16

- Upevněte hnací hlavu na strop, hloubka děr vrtání je 5,3 cm.
 - Dbejte na centrické nastavení hlavy pohonu ke garážovým vratům (srovnajte k tomuto účelu upevňovací úhelník **K** na křídle vrat)!

17

- Spojte vodící rameno **M** s upevňovacím úhelníkem křídla vrat (pomocí **Q**, **Y**) a pojezdovým vozíkem. Šrouby smějí mít vůli, protože matice jsou samosvorné.

U vrat bez stabilního mechanického koncového dorazu namontujte úhelník koncového dorazu **Z** následovně:

- Úplně otevřete garážová vrata. Montážní pozice úhelníku koncového dorazu je při úplně otevřených vratech přímo za pojezdovým vozíkem.
- Označte vrtané díry a nakonec je vyvrtejte vrtákem na kov Ø 3,6 mm.
- Pomocí tažných šroubů do plechu **ZZ** namontujte úhelník koncového dorazu.

- Zkontrolujte rukou chod vrat. K tomuto účelu musí být pojezdový vozík odblokovaný.
- Úplně otevřete a zavřete garážová vrata.

18

- Při zavřených garážových vratech připravte pohon garážových vrat k připojení, k tomuto účelu tlačte dolů plastovou páku. Odblokování se zruší, jakmile kovová páka vyskočí. Nakonec garážová vrata umístěte rukou do "polohy vrata otevřená", tzn. pojezdový vozík se připojí na unášec.

Návod k nastavení

Uvedení do provozu



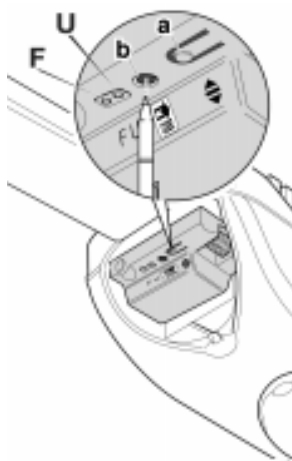
Nebezpečí poranění!

Při uvádění do provozu a nastavování musí být osoby a předměty v dostatečné vzdálenosti od výkyvné oblasti garážových vrat.



Upozornění:

Trvalé světlo může silně zahřát kryt osvětlení pohonu. Uvádění do provozu proto provádějte bez krytu.



- Zastrčte síťovou zástrčku. Osvětlení pohonu trvale svítí.
- Zkontrolujte, zda je unášec na řetězu zaskočen do pojezdového vozíku. Garážovými vraty se nesmí nechat rukou pohybovat.

- F** Svítící dioda, svítí při příjmu rádiového signálu
- U** Svítící dioda, svítí při připojeném síťovém napětí
- a** Ovládací tlačítko
- b** Programovací tlačítko

Nastavení/změna koncových poloh garážových vrat

Postup vždy obsahuje nastavení horní a dolní koncové polohy a rovněž testovací chod.

Jako horní koncová poloha se označuje pozice pojezdového vozíku při úplně otevřených vratech.

Jako spodní koncová poloha se označuje pozice pojezdového vozíku při úplně zavřených vratech.

Nastavovací postup se musí provést v uvedeném pořadí a je ukončen, jakmile osvětlení pohonu zhasne. Teprve potom se může přihlásit ruční vysílač.



Varování!

K dispozici musí být stabilní koncový doraz jako omezení pojezdové dráhy vrat (horní koncová poloha), protože jinak při nastavovacím postupu běží pohon dále a může poškodit mechaniku vrat.

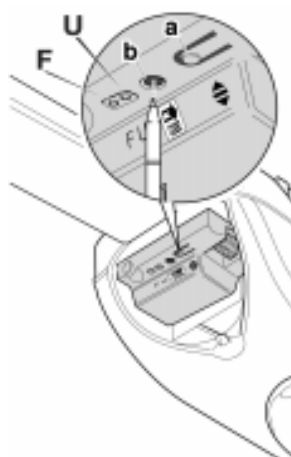


Upozornění:

Programovací tlačítko pouze lehce stiskněte (např. pomocí kuličkového pera).

K přerušení nastavovacího postupu vytáhněte síťovou zástrčku. Když síťovou zástrčku opět zastrčíte, musíte s nastavovacím postupem začít znovu.

Minimální odstup mezi horní a spodní koncovou polohou je 30 cm. Menší odstup nelze naprogramovat.



1. Nastavení horní koncové polohy

- Stiskněte (kuličkovým perem) minimálně dvě sekundy programovací tlačítko **b**, až osvětlení pohonu zhasne.
 - Osvětlení pohonu se opět rozsvítí.
 - Jestliže osvětlení pohonu bliká, bylo programovací tlačítko stisknuto pouze krátkou dobu. V tomto případě vytáhněte a opět zastrčte síťovou zástrčku. S nastavením horní koncové polohy začněte od začátku.
- Stiskněte krátce ovládací tlačítko **a** (cca 1 sekundu).
 - Pohon garážových vrat běží ve směru "vrata otevřená" až k mechanickému koncovému dorazu a odtamtud cca 5 cm zpátky.
 - Korektura této pozice je možná, k tomuto účelu stiskněte a držte stisknuté ovládací tlačítko **a**, až je dosaženo požadované pozice. Při každém stisknutí tlačítka se změní směr chodu.
- Je-li požadovaná koncová poloha nastavená:
 - Stiskněte programovací tlačítko **b**, až osvětlení pohonu zhasne.
 - Osvětlení pohonu se opět rozsvítí.

Horní koncová poloha je uložena do paměti.

2. Nastavení spodní koncové polohy

- Stiskněte a držte stisknuté ovládací tlačítko **a**, až jsou garážová vrata úplně zavřená (mechanický doraz).
 - Spodní koncovou polohu lze v případě potřeby ovládacím tlačítkem **a** změnit, viz nahoře.
 - K šetření mechaniky vrat nastavte spodní koncovou polohu tak, aby se zabránilo silnému přitlačení vrat na mechanický doraz.
- Stiskněte programovací tlačítko **b**, až osvětlení pohonu zhasne.
 - Osvětlení pohonu se opět rozsvítí.

Spodní koncová poloha je uložena do paměti.

3. Provedení testovacího chodu

- Stiskněte krátce ovládací tlačítko **a** a počkejte, až jsou garážová vrata úplně otevřená.
- Opětovně stiskněte ovládací tlačítko **a** a počkejte, až jsou garážová vrata úplně zavřená.
 - Osvětlení pohonu zhasne.

Nastavovací postup je ukončen.

Nebyl-li testovací chod úspěšně ukončen, zopakujte celý nastavovací postup.

Testovací chod je úplný pouze tehdy, nebyl-li přerušen. Během testovacího chodu pracuje pohon garážových vrat s plnou silou a přitom se automaticky "učí" sílu potřebnou k otevření a zavření. Při každém následujícím chodu se síla automaticky dodatečně nastaví (důležité např. v zimě, kdy garážová vrata mají poněkud těžší chod).

Učení ručního vysílače

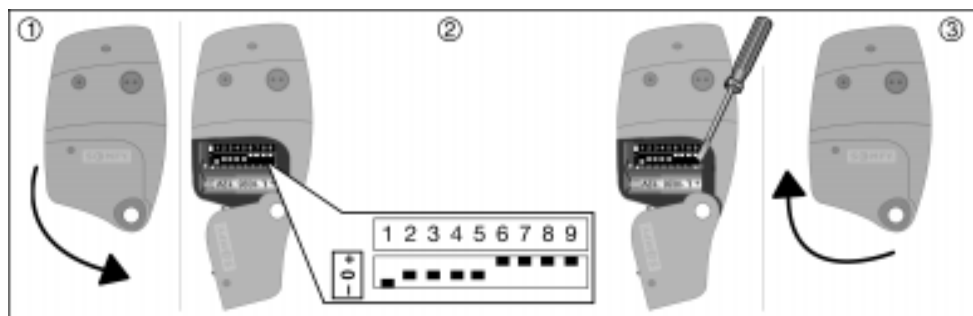
1. Nastavení bezpečnostního kódu



Upozornění k systému Somfy Security:

Z bezpečnostních důvodů musí být minimálně jeden spínač nastaven na + nebo -, aby se ruční vysílač na pohonu mohl učít. Tzn. bezpečnostní kód "-----" je neplatný.

Nastavte kódování Vašeho ručního vysílače s Vaším osobním bezpečnostním kódem. K tomuto účelu:



- Stáhněte víčko ručního vysílače (1).
- Nastavte požadovaný kód, např. pomocí šroubováku (2).
 - Nastavte volně volitelný počet spínačů mezi 1 a 9 na +/- nebo 0.
- Uzavřete víčko ručního vysílače (3).

Váš ruční vysílač se nyní může na pohonu učít.

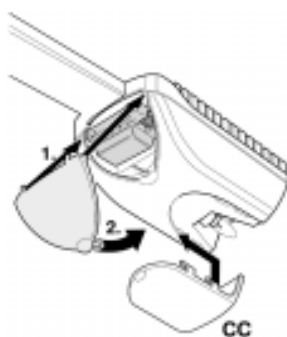
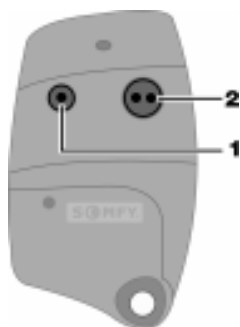
2. Učení ručního vysílače na pohonu

Dříve než začnete s programováním ručního vysílače, určete některé z obou tlačítek **1** nebo **2** ručního vysílače jako ovládací tlačítko. Pouze s pomocí tohoto tlačítka můžete ovládat pohon garážových vrat. Toto tlačítko bude v následujícím popisu nazýváno "tlačítko 1".

- Na pohonu vrat krátce stiskněte (cca 1 sek) programovací tlačítko **b**.
 - Osvětlení pohonu bliká.
 - Svítí-li osvětlení pohonu trvale, bylo programovací tlačítko příliš dlouho stisknuto. V tomto případě vytáhněte a opět zastrčte síťovou zástrčku. "Učení ručního vysílače" zopakujte.
- Stiskněte min. 2 sek požadované tlačítko 1 na ručním vysílači, až osvětlení pohonu zhasne a hned potom začne opětovně blikat.
- Znovu stiskněte cca 2 sek stejné tlačítko na ručním vysílači, až osvětlení pohonu zhasne a znovu se krátce rozsvítí.

Ruční vysílač je na pohonu naučen.

- Po ukončení učícího postupu nasadte kryt elektroniky a osvětlení pohonu **CC**.



3. Další ruční vysílače

Poté co jste naučili jeden ruční vysílač, můžete za následujících předpokladů používat bez učícího postupu další ruční vysílače:

- Je nastaven stejný bezpečnostní kód.
- Bude se používat stejné ovládací tlačítko (tlačítko 1).

4. Vymazání ručních vysílačů

Naučené ruční vysílače se vymažou tím, že se dosavadní uložené hodnoty přepišou.

Provede se to tím,

- že naučíte nové ovládací tlačítko ručního vysílače nebo
- když některý ruční vysílač s novým bezpečnostním kódem naučíte na pohonu (viz "Nastavení bezpečnostního kódu").



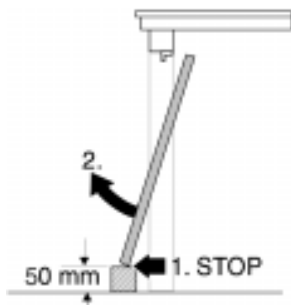
Upozornění:

Vymazání některého ručního vysílače znamená vymazání všech ručních vysílačů, které jsou naprogramovány se stejným bezpečnostním kódem, popř. stejným ovládacím tlačítkem.

Kontrola zjištění překážky

Při uvádění do provozu a potom nejméně 1x měsíčně:

- Položte vhodný předmět s min. výškou 50 mm (např. dřevěný špalek) do pojezdové dráhy garážových vrat (pohyb zavření vrat).
- Spusťte pohon garážových vrat.
 - Při najeť na překážku se garážová vrata zastaví, pohybují se nazpět až k hornímu mechanickému koncovému dorazu a potom až k naprogramované horní koncové poloze.
 - Osvětlení pohonu bliká v sekundovém taktu.
- Nové spuštění pohonu garážových vrat zastaví blikání.
 - Není-li tomu tak, obraťte se prosím na servisní linku.



Připojení příslušenství

Příprava



Nebezpečí úrazu elektrickým proudem

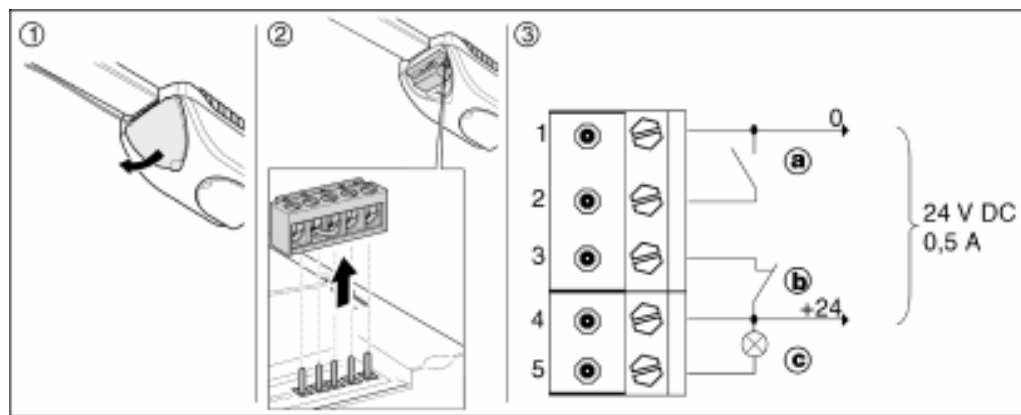
Při připojení příslušenství vytáhněte síťovou zástrčku.



Varování!

Připojte podle návodu pouze originální příslušenství. Bezpotenciálové kontakty – nepřikládejte žádné cizí napětí!

- Sejměte krycí klapku elektroniky (1).

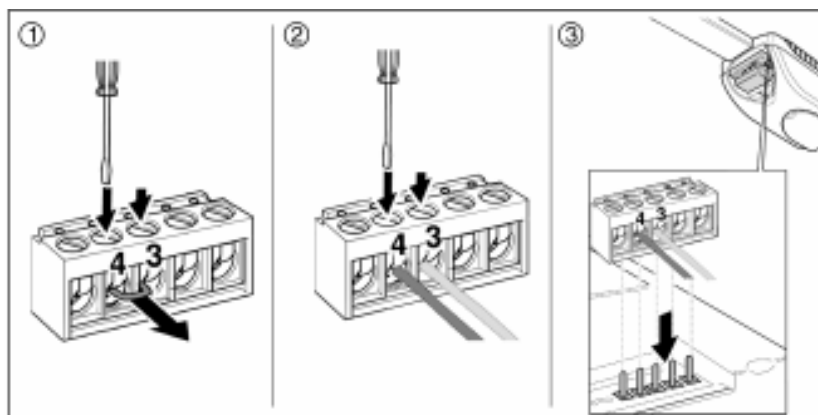


- K připojení přípojovacích vedení stáhněte svorkovnici (2).
Obsazení svorkovnice (3):
 - **a** připojení tlačítka
 - **b** připojení světelné závory
 - **c** připojení výstražného světla



Pozor!

Bezpečnostní příslušenství nechejte připojit odbornou provozovnou.



- Povolte přípojovací svorky 3 a 4 (malým šroubovákem) (1).
Odstraňte drátový můstek.
- Zastrčte přípojovací vodiče 3 a 4, pevně je utáhněte (2).
- Svorkovnici opět nasadte (3).
- Zastrčte síťovou zástrčku, zkontrolujte funkci.



Upozornění:

Bude-li použito více bezpečnostních příslušenství, musí být zapojena sériově.

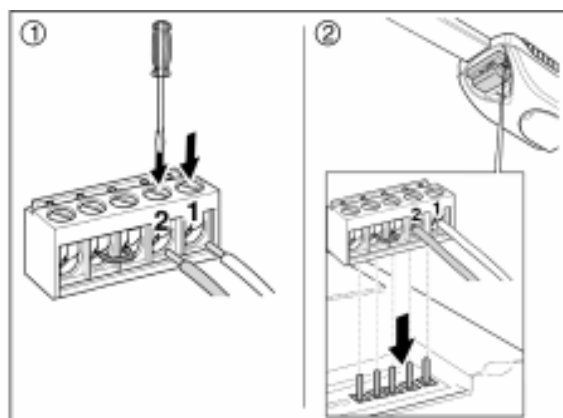
Vnitřní tlačítko, kódovací tlačítko, klíčové tlačítko



Umístění tlačítek:

- na dohled ke garážovým vratům,
- v dostatečné vzdálenosti od pohyblivých dílů,
- vnitřní tlačítko namontujte ve výšce nejméně 1,5 m.

- Povolte přípojovací svorky 1 a 2 (malým šroubovákem).



- Zastrčte přípojovací vodiče, pevně je utáhněte (1).
- Svorkovnici opět nasadte (2).
- Zastrčte síťovou zástrčku, zkontrolujte funkci.



Upozornění:

Bude-li použito více tlačítek, musí být zapojena paralelně.

Výstražné světlo

Výstražné světlo během pohybu vrat bliká.

- Připojte výstražné světlo na blikající výstup svorky 4 a 5.

Výstup 24 V

Výstup 24 V slouží k napájení světelné závoře nebo bezpečnostní kontaktní lišty. Připojení se provede na svorky 1 a 4.

Návod k obsluze

Otevření, zavření nebo zastavení garážových vrat



Nebezpečí poranění

Otevírejte nebo zavírejte garážová vrata pouze tehdy, jestliže ve výkyvné oblasti nejsou žádné osoby nebo předměty.

Při výpadku elektrického proudu nebo poruchách na pohonu otevírejte garážová vrata výhradně pomocí vnitřního nebo venkovního nouzového odblokování. Jestliže se po stisknutí nouzového odblokování dají vrata ovládat pouze zvýšeným úsilím, bezpodmínečně přivolejte odborníka na garážová vrata.

Ruční vysílač uložte v motorovém vozidle tak, aby během jízdy, např. při brzdění nemohl způsobit žádnou škodu.



Varování!

Nevystavujte ruční vysílač vysokým teplotám (např. přímému slunečnímu záření v motorovém vozidle).

- Nasměrujte ruční vysílač na garážová vrata a stiskněte 1–2 sekundy tlačítko nebo
- stiskněte tlačítko (např. klíčové tlačítko).
 - Po otevření nebo zavření svítí osvětlení pohonu po dobu 60 sekund.



Průběh při několikanásobném spuštění ručním vysílačem nebo tlačítkem:

Otevření – zastavení – zavření – zastavení – otevření – zastavení – zavření – zastavení atd.

Vnitřní nouzové odblokování

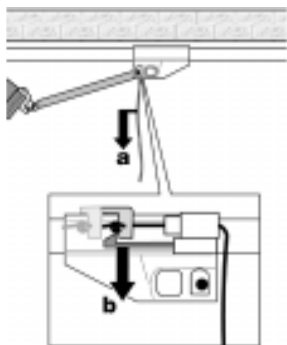
V nouzových případech nebo při výpadku elektrického proudu lze garážová vrata odpojit od pohonu a otevřít zevnitř (ručně).



Nebezpečí poranění

Otevřená garážová vrata mohou při odblokování spadnout, protože jsou slabé nebo prasknuté pružiny nebo jsou vrata nedostatečně vyvážená.

- Odblokujte pohon garážových vrat, k tomuto účelu zatáhněte za šňůru **a**.
 - Páka zaskočí a garážová vrata lze otevřít rukou.
- Příprava pohonu garážových vrat k připojení, k tomuto účelu tlačte dolů plastovou páku **b**.
- Nakonec garážová vrata nastavte ručně do výchozí polohy.
 - Při připojení je zřetelně slyšet "kliknutí".



Výměna baterie v ručním vysílači



Varování!

Nebezpečí při neodborné výměně baterie. Náhrada pouze za stejný typ baterie. Používejte baterie zabezpečené proti vytečení.

Ohrožení životního prostředí použitými bateriemi!

Nevyhazujte použité baterie do domovního odpadu. Postarejte se o ekologickou likvidaci. Dbejte na údaje výrobce.



- Použitou baterii vyměňte za novou.
 - Typ baterie: L1028/12 V

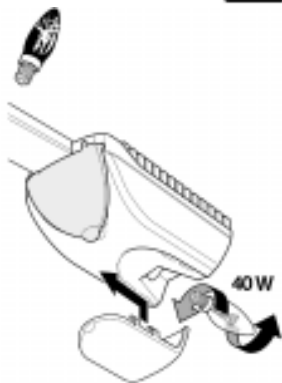
Výměna žárovky



Nebezpečí úrazu elektrickým proudem!

Před výměnou žárovky vytáhněte síťovou zástrčku.

- Stáhněte kryt osvětlení pohonu.
- Vyměňte žárovku za novou (max. 40 W, patice E14).
- Nasadte kryt, upevněte zaskočením.
- Zastrčte síťovou zástrčku.



Pravidelně kontrolujte



Pozor!

Během opravářských a nastavovacích prací na mechanice vrat zařízení nepoužívejte, protože chyba v zařízení nebo nesprávně vyvážená vrata mohou způsobit poranění.

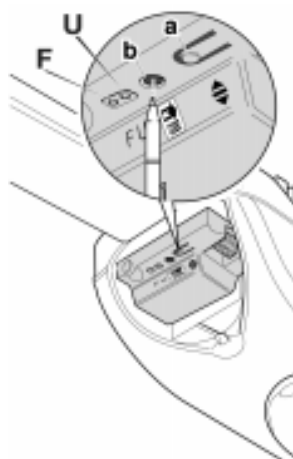
- Jednou měsíčně zkontrolujte následující funkce:
 - Zjištění překážky (viz kapitola "Uvedení do provozu")
 - Funkci všech dodatečně namontovaných dílů příslušenství (zejména bezpečnostních zařízení)
- Zkontrolujte celé zařízení (vrata a pohon) na mechanickou funkčnost (opotřebení, poškození zejména pružin a upevňovacích dílů) a rovněž zkontrolujte elektrickou instalaci.

Co se stane, bylo-li přerušeno elektrické napájení?

- Po obnovení elektrického napájení svítí osvětlení pohonu 1 sekundu.
- Při následujícím ovládacím impulzu se garážová vrata pohybují nazpět až k hornímu mechanickému dorazu (vztažný bod) a potom až k naprogramované horní koncové poloze.
- Svítí-li potom osvětlení pohonu trvale, proveďte znovu uvedení do provozu.

Odstranění poruch vlastními silami

Porucha	Možné příčiny	Odstranění
Optická indikace: Po zastrčení síťové zástrčky a/nebo během uvádění do provozu trvalé světlo.	Ještě není ukončeno nastavení koncových poloh a/nebo testovací chod.	Reset síťovou zástrčkou: Vytáhněte a opět zastrčte síťovou zástrčku a podle návodu k použití proveďte nastavení koncových poloh a testovací chod.
Osvětlení pohonu pravidelně bliká (jednosekundový takt).	Nastal případ překážky (např. prostřednictvím zjištění překážky nebo zareagováním bezpečnostního zařízení jako jsou světelné závory, kontakt průchozích dveří).	Odstraňte překážku, otevřete/zavřete garážová vrata.
Osvětlení pohonu nepravidelně bliká (tři sekundy VYP/ jednu sekundu ZAP).	Při monitorování elektronických komponentů zjistila elektronika nepravdivost.	Reset: Současně stiskněte 5 sekund ovládací tlačítko a programovací tlačítko b . (Osvětlení pohonu bliká). Potvrzení resetu prostřednictvím trvalého světla. Nastavte znovu koncové polohy a proveďte testovací chod. Naučené ruční vysílače přitom nebudou vymazány. Jestliže během programování koncových poloh osvětlení pohonu opět nepravidelně bliká, kontaktujte prosím servisní linku.
Osvětlení pohonu nesvítil.	Vadná žárovka.	Vyměňte.
Při stisknutí ručního vysílače pohon garážových vrat nefunguje.	Je vybitá/nesprávně vložena baterie ručního vysílače.	Zkontrolujte baterii, v případě potřeby ji vyměňte.
	Ještě nebyl načtený kód v přijímači.	Přihlaste ruční vysílač.
	Nebylo ukončeno nastavení koncových poloh, testovací chod.	Proveďte a ukončete nastavení koncových poloh, testovací chod. Potom ruční vysílač přihlaste.
Pohon garážových vrat neotevře/nezavře vrata, neotevře/nezavře vrata úplně.	Poškození mechaniky vrat.	Zkontrolujte mechaniku vrat. Nechejte opravit odborníkem na garážová vrata.
	Nepříznivé vnější okolnosti (např. silný déšť) zvýšily hmotnost vrat. Pohon garážových vrat identifikuje situaci jako překážku.	Nastavte znovu koncové polohy a proveďte testovací chod. Naučené ruční vysílače přitom nebudou vymazány. Jestliže porucha trvá, kontaktujte prosím servisní linku.
	Chybí síťové napětí (nesvítil světelná dioda U).	Nechejte zkontrolovat odborníkem, zda je v síťové zásuvce napětí.



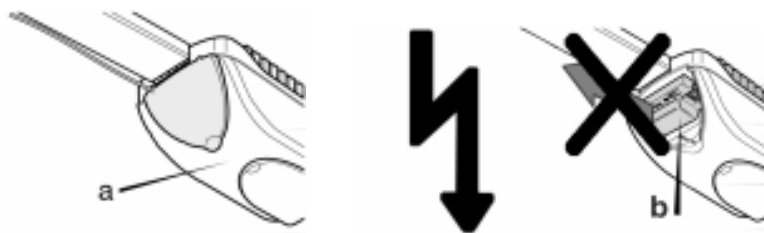
Servis

Poruchy v oblasti 230 V směji odstraňovat pouze odborníci s elektrotechnickou kvalifikací nebo smluvní servis. Při opětovně vzniklých nebo jiných poruchách se prosím obraťte na nejbližší smluvní servis.



Pozor!

Kryt (a) smí sundat pouze odborník podle VDE 0100 (nebezpečí úrazu elektrickým proudem). Jinak zanikne nárok na záruku.



Nebezpečí úrazu elektrickým proudem!

Práce na řídicí elektronice (b) provádějte pouze v beznapěťovém stavu! Řídicí elektroniku nevytahujte!

Příslušenství

Toto příslušenství můžete zakoupit v odborných prodejnách. Další informace o tom Vám rádi poskytnou odborní prodejci pro pohony garážových vrat SOMFY.

Příslušenství pro dodatečnou bezpečnost

	Čís. výrobku SOMFY	Poznámka
Venkovní nouzové odblokování – pro výkyvná/sekční a sklopná vrata s rukojetí, – pro všechny běžné druhy vrat s rukojetí a bez rukojetí (zámek nouzového odblokování)	9 000 018 9 000 032	Není-li k dispozici žádný druhý vstup do garáže, musí se bezpodmínečně namontovat venkovní nouzové odblokování. Tím lze např. při výpadku elektrického proudu/poruchách otevírat garážová vrata zvenku (ručně).
Kontakt průchozích dveří	9 000 007	Při otevřených dveřích (dveře ve vratech) zabraňuje pohybu vrat prostřednictvím pohonu garážových vrat.
Podlahové blokování	9 000 003*	
Blokovací sada bez západek	9 000 019*	
Stranové blokování vrat	9 000 004*	
Světelná závora	9 000 025	Při přerušení světelného paprsku okamžitě zastaví garážová vrata. Ve směru zavírání vrat se překážka uvolní.
Výstražné světlo	9 000 030	

* je potřebné dodatečné vodící rameno (objed. čís. 9 000 002)

Příslušenství pro větší komfort obsluhy

	Čís. výrobku SOMFY	Poznámka
Klíčové tlačítko na/pod omítku	9 000 021	
Vnitřní tlačítko	9 000 008	
Kódovací tlačítko	9 000 028	
2-kanálový ruční vysílač, světlešedý	1 800 037	433,42 MHz
4-kanálový ruční vysílač, Fun	1 800 035	433,42 MHz
4-kanálový ruční vysílač, tmavěšedý	1 800 029	433,42 MHz

Příslušenství pro zvláštní montážní podmínky

	Čís. výrobku SOMFY	Poznámka
Stropní zavěšení (úhelník)	9 000 034	K zavěšení až max. 270 mm.
Děrovaná kolejnice pro zavěšení pohonu garážových vrat	9 000 001	Celková délka 1 m, k zavěšení až max. 400 mm.
Stropní zavěšení (teleskopické)	9 000 042	K zavěšení až max. 1500 mm.
Prodloužení vodicího ramena	9 000 006 *	Použití při širokém překladu (až max. 400 mm), jestliže vodicí rameno dosahuje k překladu.
Prodlužovací tyč	9 000 005 *	Potřebná při malém odstupu mezi horní hranou vrat a stropem garáže a jestliže se pohon garážových vrat kompletně přemístí dozadu (až max. 2,5 m).
Kování křídlových vrat	9 000 009	Šířka křídla vrat max. 1,5 m pro křídlo. Dodatečné pokyny viz "Použitelnost".
Kování sekčních vrat	9 000 016	Pro vratové segmenty výšky od 300–500 mm.
Upevňovací třmen	9 000 040	K zesílení horního segmentu sekčních vrat.
Zahnuté vodicí rameno	9 000 023	Pro sekční vrata, není-li na vratovém segmentu potřebná přídržovací a upevňovací kolejnice.
Zvedací rameno	9 000 015	Pro sklopná vrata se svislými pojezdovými kolejnicemi.
Prodlužovací sada kolejnic	9 000 031	O max. 700 mm.

* je potřebné dodatečné vodicí rameno (objed. čís. 9 000 002)

Prohlášení výrobce



(Viz stránka 230)

Výrobce SOMFY GmbH, Felix-Wankel-Straße 50, D-72108 Rottenburg a. N. tímto prohlašuje:

Pohon vrat, typ KEASY L+, KEASY XL+ odpovídá směrnici pro stroje 99/5/EG, 98/37/EG podle DIN EN 12453:2001, DIN EN 60335-1:1995, E DIN EN 60335-2-95:2001.

Upozornění:

Uvedení vratového zařízení do provozu, ve kterém má být namontován tento pohon vrat, je tak dlouho zakázáno, až bude stanoveno, že vratové zařízení odpovídá ustanovením směrnice 98/37/EG.

Rottenburg, dne 16.02.2004

Vedoucí Design Center
v zast. Dieter Thomas

Tartalom

Tartalom	106
Az utasításban alkalmazott szimbólumok	107
Az eltávolítással kapcsolatos utasítások	107
Az Ön biztonsága érdekében	108
Rendeltetésszerű alkalmazás	108
Fontos biztonsági utasítások	108
Tanácsok szívritmus-szabályzóval rendelkező személyek részére	108
Biztonsági berendezések	108
Előkészület a beépítéshez	109
Egy pillantásra	109
Műszaki adatok	109
Alkalmazhatóság	110
Maximális garázkapu-méret	110
A garázs szemöldök- és földémszabvány	110
Meglévő kapumechanika	110
Hálózati csatlakoztatás	110
Kiegészítő biztonsági berendezések	111
Szerelési utasítás	111
Fontos utasítások a biztonságos szereléshez	111
A csomag tartalmának ellenőrzése	111
Beépítési szituációk / -példák	112
A garázkapuhajtás előszerelése	112
Szerelés	112
Beállítási utasítás	113
Üzembevétel	113
A garázkapu véghelyezeteinek beállítása / változtatása	114
A kézi távirányító betanítása	115
Az akadályfelismerés ellenőrzése	116
A tartozék csatlakoztatása	116
Előkészítés	116
Fénysorompó, kapuajtó-érintkező, biztonsági kapcsoló	117
Belső-, kód-, kulcsos nyomógomb	117
Figyelmeztető lámpa	118
24 V-os kimenet	118
Kezelési utasítás	118
A garázkapu nyitása, zárása vagy leállítása	118
Belső vészkioldás	118
Az elem cseréje a kézi távirányítóban	119
Az izzólámpa cseréje	119
Rendszeres ellenőrzés	119
Mi történik, ha az áramellátás meg lett szakítva?	119
Segítség működészavarok esetén	120
A zavarok önállóan történő elhárítása	120
Vevőszolgálat	121
Tartozékok	121
Tartozékok a további biztonsághoz	121
Tartozékok a nagyobb kezelési kényelghez	122
Tartozékok különleges beépítési feltételek esetére	122
Gyártói nyilatkozat	122

Az utasításban alkalmazott szimbólumok



Figyelem! Fontos biztonsági utasítás.

A személyek biztonsága érdekében életfontosságú ezen utasítások betartása!



Óvatosság! Biztonsági utasítás.

Az utasítások be nem tartása esetén sérülések és anyagi károk keletkezhetnek.



Tanács:

Alkalmazási példákat és fontos információkat közöl.



Áramütésveszély!

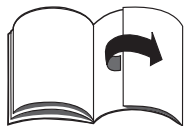
Valamennyi munkavégzés előtt húzza ki a hálózati dugaszt!



Alkalmazás csak száraz helyiségekben.



Nyissa ki az első borítóoldalt.



Nyissa ki a hátsó borítóoldalt.



Az alkalmazáshoz tartozó képszámot adja meg a kihajtott oldalakon.

- A pont egy kezeléssel kapcsolatos utasítás jelöl!
- A vonal azokra a pontokra utal, amelyekre külön oda kell figyelni.

Az eltávolítással kapcsolatos utasítások



Kérjük, ügyeljen az alábbiakra, ha egy meglévő kapuhajtást cserél ki:

- A régi készülékek nem értéktelen hulladékok. Az eltávolított kapuhajtásból értékes nyersanyagokat lehet visszanyerni.

A kapuhajtásán a szállítás és raktározás közbeni rozsdásodás elleni védelem érdekében néhány alkatrész be van olajozva. A szerelésnél szabaddá vált olajjal szennyezett csomagolóanyagok eltávolításáról a környezetvédelemnek megfelelően gondoskodjon.

Az alkalmazott csomagolóanyagok környezetbarát anyagok és újra felhasználhatók. A csomagolás eltávolítását a környezetvédelemnek megfelelően végezze.

A kézi távirányítóban lévő elemek nem dobhatók a háztartási hulladékok közé.

A megfelelő eltávolításról / megsemmisítésről kérjen információt a kereskedőjétől vagy a helyi hatóságoktól.

Az Ön biztonsága érdekében

Rendeltetészerű alkalmazás

A hajtás az EN 12604, ill. EN 13241 szerinti kapukhoz alkalmas, az üzemeltetéshez szükséges erők és a használati utasítás figyelembevételével.

Ezt a garázkapuhajtást kizárólag csak:



- garázkapuk automatikus nyitására és zárására,
- száraz helyiségekben,
- privát területen,
- az ezen használati utasításban megadott leírásoknak és biztonsági utasításoknak megfelelően alkalmazza.

Minden egyéb alkalmazás rendeltetésellenes alkalmazásnak számít.

Fontos biztonsági utasítások



Figyelem!

Személyek végelmében életfontosságú az itt lefektetett valamennyi utasítás betartása:

- Őrizze meg ezeket az utasításokat és tulajdonosváltásnál adja át az új tulajdonosnak. A szerelés előtt olvassa át teljes egészében az utasításokat és különösen ügyeljen az ott lefektetett biztonsági utasításokra.
- A szerelési lépéseket a leírt sorrendben végezze el és sajátítsa el a berendezés kezelését.
- A szereléshez kizárólag csak a mellékelt vagy az ajánlott rögzítőanyagokat, az eredeti pótalkatrészeket és tartozékokat alkalmazza.
- Az üzembevétel után oktasson ki minden személyt a garázkapuhajtás működésére és kezelésére.
- A garázkapu éleinél és mechanikus részénél beszorulás- és vágásveszély áll fenn. A garázkaput csak akkor nyissa és zárja, ha annak mozgástartományát belátja és ebben a tartományban nem tartózkodnak emberek.
- A kézi távirányítót úgy őrizze meg, hogy a kaput nem szándékosan ne lehessen üzemeltetni (pl. ha a gyerekek játszanak).
- A kapuhajtás csak korrekt módon beállított és kiegyensúlyozott garázkapukra szerelje fel. Egy helytelenül beállított kapu sérüléseket eredményezhet.
- A kapun vagy a kapuhajtáson végzett munkák előtt a hálózati dugaszt mindig húzza ki.
- A sérült hálózati kábelt haladéktalanul cseréltesse ki (a cserét csak elektromos szakember végezheti).
- Sohase érintse meg a mozgó kaput vagy a mozgó alkatrészeket.



Tanácsok szívritmus-szabályzóval rendelkező személyek részére

A kézi távirányító adásteljesítménye az idevonatkozó szabványértékeken belül van és alapjában véve jelentéktelen. Az esetleg még megmaradt kockázat kizárása érdekében óvatosságból ajánljuk, hogy a kézi távirányítót ne közvetlenül a testén működtesse. A biztonsága érdekében a távirányító működtetését nyújtott karral, a kapu felé tartva végezze.

Biztonsági berendezések



A biztonsági berendezések védnek a sérülésektől és az anyagi károktól.

A biztonsági berendezéseket sohase helyezze üzemben kívül és sohase iktassa ki szándékosan.

Automatikus akadályfelismerés

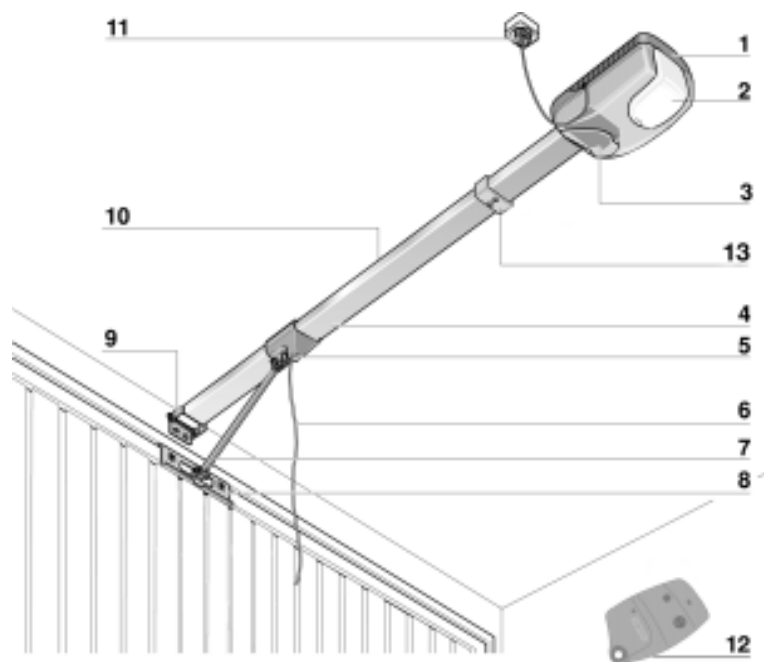
Ha a kapu felfelé mozgás közben akadálynak ütközi, akkor az leáll.

Ha a kapu zárásmozgás közben akadálynak ütközik, akkor az akadály szabaddá tételéhez a kapu a felső mechanikus végütközőig felmegy (bázispont), majd visszamegy a programozott véghelyzetig.

- Ellenőrizze a működést havonta legalább egy alkalommal (lásd: „Üzembevétel” című fejezet).
- Kiegészítésként ajánljuk a pótlólagos biztonsági berendezések beszerelését (lásd: „Tartozékok”).

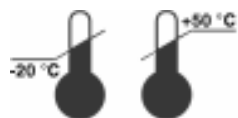
Előkészület a beépítéshez

Egy pillantásra



- | | |
|--------------------------|-------------------------------------|
| 1. Meghajtófej | 8. Kapulap-rögzítőszeglet – kapulap |
| 2. Meghajtás-világítás | 9. Tartószeglet – szemöldök/födém |
| 3. Elektronika | 10. Lánc, terelővel (burkolva) |
| 4. Futósín | 11. Hálózati dugasz |
| 5. Futókocsi | 12. Kézi távirányító |
| 6. Belső vészkireteszelő | 13. Mechanikus védőütköző |
| 7. Vezetőkar | |

Műszaki adatok



	KEASY L [⊕]	KEASY XL [⊕]
Súly	~ 15 kg	~ 15 kg
Nyomó-/húzóerő	fokozatmentesen 500 N ¹⁾	fokozatmentesen 700 N ¹⁾
Lágy indítás/lágy stop	igen, fokozatmentes	igen, fokozatmentes
Hőmérséklettartomány	-20 °C.....+50 °C	-20 °C.....+50 °C
Méreték		
Beszerelesi hossz	3,30 m	3,30 m
Emeléshossz	2,50 m ²⁾	2,50 m ²⁾
Elektronika		
Áramellátás	230 V/50 Hz~	230 V/50 Hz~
Max. teljesítményfelvétel	300 W	300 W
Fogyasztás készenléti helyzetben	< 4 W	< 4 W
Védettség	IP 20	IP 20
Üzem mód	S2 Rövididejű üzem	S2 Rövididejű üzem
Izzólámpa	Max. 40 W / E14	Max. 40 W / E14
Rádiófrekvencia	UKW 433,42 MHz	UKW 433,42 MHz

CE 06810

- 1) Önfékező
2) 3,00 m, sinhosszabbtással

Alkalmazhatóság

KEASY L⁺ / KEASY XL⁺

Alkalmazható:

- Felemelhető garázkapukhoz
- Födémre szerelt szekcionális kapukhoz (szekcionális kapuhoz való vasalás szükséges; - lásd a tartozékokat)
- Szárnyaskapukhoz (szárnyaskapu-vasalás szükséges)
Kiegészítésül a hajtás forgásirányát meg kell változtatni. Az ehhez szükséges információkat megkaphatja a szaktereskedőtől vagy a legközelebbi szerződéses vevőszolgálatunktól. (Lásd még: Használati utasítás a szárnyaskapu-vasaláshoz)

KEASY XL⁺

Alkalmazható:

- Billenőkapukhoz (emelőkar szükséges; - lásd: „Tartozékok”).
- Oldalsó szekcionális kapukhoz (vasalás szükséges).

Maximális garázkapu-méretetek

	KEASY L ⁺	KEASY XL ⁺
Felületek		
Könnyű kapuk, pl. lemezkapuk	7,5 m ² -ig	12,0 m ² -ig
Nehéz kapuk, pl. fakapuk	6,0 m ² -ig	7,5 m ² -ig
Magasság		
Födémre szerelt szekcionális kapuk	2,3 m-ig	2,3 m-ig
Egyéb garázkapuk	2,5 m-ig	2,3 m-ig
Sínhosszabbító készlettel (lásd: „Tartozékok”)	2,3–3,0 m-ig	2,3–3,0 m-ig

A garázs szemöldök- és födémstabilitása

A szemöldök és a födém maximális terhelhetősége:

- KEASY L⁺: 700 N
- KEASY XL⁺: 900 N



Ügyeljen a fúrásnál a födém vastagságára (pl. betonfödémek kész garázsoknál)!

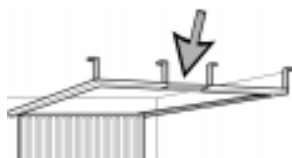
Szükséges furatmélység a berendezéssel együtt szállított tiplikhez és csavarokhoz: **53 mm**

A berendezéssel együtt szállított tiplik kereskedelemben kapható normál tiplik. Szükség esetén alkalmazzon speciális tipliket, amelyek az alaphoz megfelelnek.

Meglévő kapumechanika

Nem nyitható és nem zárható könnyen a garázkapu döntögetés nélkül? Amennyiben nem, hozassa rendbe a kapumechanikát egy garázkapu-szerelővel.

Amennyiben a garázkapu futósínjei egy keresztösszekötővel vannak stabilizálva, a garázkapuhajtás vezetőkarja ennek a keresztösszekötőnek nekiütközhet. Ebben az esetben a keresztösszekötőt át lehet vágni, és részben el lehet távolítani; - lásd a baloldali ábrát. A stabilitás ismételt helyreállítása érdekében a megmaradó darabokat a födémre kell rögzíteni.



Hálózati csatlakoztatás

Van a kapuhajtás közelében, szükséges távolságban egy 230 V-os hálózati csatlakozó?

- A hálózati kábel hossza: **kb. 1 m**

Amennyiben nincs, hosszabbítsa meg a hálózati csatlakozót egy elektromos szakemberrel.



Kiegészítő biztonsági berendezések



Külső vészkireteszelő

Amennyiben a garáznak nincs egy második bejárata, akkor feltétlenül fel kell szerelni egy külső vészkireteszelőt (lásd: „Tartozék”). Ezzel a garázkapu pl. áramkimaradás vagy zavarok esetén (kézzel) kinyitható.



Mechanikus végütköző

Az üzembehelyezéshez és akadályoztatás esetén az akadály megfelelő eltávolításához a garázkapu mozgását egy fix mechanikus végütközővel feltétlenül be kell határolni (a berendezéssel együtt szállítva).



Kapureteszelés

A garázkapuhajtás önfékező és a kaput zárva tartja. A garázkapu meglévő reteszeléseit automatizálni kell (lásd: „Tartozékok”), el kell távolítani vagy üzemen kívül kell helyezni.

Szerelési utasítás

Fontos utasítások a biztonságos szereléshez



Figyelem!

A helytelen szerelés komoly sérülésekhez vezethet. Tartsa be az összes szerelési utasítást! Egy további személy alkalmazása megkönnyíti a szerelést.



Óvatosan!

Fej fölötti fúrásnál viseljen védőszemüveget!
A hajtást takarja be, hogy fúrás közben ne porosodjon be!



A csomag tartalmának ellenőrzése

Ahhoz, hogy a szerelést folyamatosan tudja végezni, ellenőrizze a csomag tartalmát a szerelés előtt;

- meg van-e minden alkatrész?
- nem sérült-e valamelyik alkatrész?

Sérült alkatrészeket ne szereljen be! Vegye fel a kapcsolatot a kereskedőjével.



Tanács:

Az **AA** habanyag a lánc zajcsillapítására szolgál.



Készítsen elő valamennyi szerszámot, ami a szereléshez szükséges.

Beépítési szituációk / -példák

Hová kell szerelni a szemöldök / fődém tartószegletét és a meghajtófejet?
(Egy felemelhető garázkapu példáján)



3

Az optimális erőátvitel érdekében a hajtást a kapu legmagasabb pontjához a lehető legközelebb kell szerelni.

- Állapítsa meg a kapu legmagasabb mozgáspontját **a** (**a** = a kapulap és a garázfödém közötti minimális távolság). A megállapított méret függvényében különböző beépítési lehetőségek vannak.

4

1. Az **a** méret 38 mm és 140 mm között

- Szerelje a garázkapuhajtást a szemöldökre vagy a fődémre.
- Szerelje a szemöldök/fődém szerelőszegletét a szemöldökre vagy a fődémre (a szemöldök előnyösebb).
- Szemöldökre történő szerelés esetén hagyjon egy 15 mm-es távolságot.

5

2. Az **a** méret = 140 mm

- Szerelje a szemöldök / fődém szerelőszegletét a szemöldökre, 50 mm-es távolságra a sín alsó éle és a kapu legmagasabb mozgáspontja közé.
- Függeszse a garázkapuhajtást a fődémre (furatos sín szükséges; lásd: „Tartozékok”).

6

3. Az **a** méret kisebb, mint 38 mm

- Szerelje a szemöldök/fődém szerelőszegletét és a garázkapuhajtást a nyitott garázkapu mögé a fődémre (hosszabbítórúd szükséges; lásd: „Tartozékok”). Ügyeljen a teljes hosszra.

A garázkapuhajtás előszerelése



7

- Tolja be a **B** sínösszekötő darabokat az ütközőkig az **A** vezetősínbe és a vezetősín egyes részeit tolja össze.
- A zajcsillapításra szolgáló **AA** fehér habanyag-betéteket illessze be a horonyba.
- A zajcsillapítókat csiptesse be a négy darab **A** vezetősínbe.
- Az előszerelt vezetősínt tolja a **C** meghajtófejre.

8

- Tolja a **D** futókocsit a futósínre.
- Dugja össze az **E, F, G** elülső láncterelőt és tolja be a futósínbe.

9

- A **J** lánc egyszerű letekeréséhez az apró alkatrészek csomagolásának fedelét le lehet venni és alátétként lehet alkalmazni.
- Törölje le a felesleges olajat a láncról egy ronggyal.

10

- Tekerje le a láncot a futósínbe.
 - A láncot feltétlenül fűzze át a **D** futókocsin és az **I** menesztőoldalon. Ehhez csatolja ki a futókocsit (a fémkarnak bele kell pattannia a műanyagkarba).
- Kösse össze az **I** menesztőt mindkét oldalon a **H** lánccár segítségével a **J** láncsal.



11

- A láncnak az **F** láncterelőbe történő behelyezéséhez nyomja össze erővel az **E** rugót. Segédeszközként alkalmazza ehhez az **M** vezetőkart.
 - A láncot elcsavarodás-mentesen kell a vezetékébe helyezni.

12

- Rögzítse a vészkireteszelő **O** zsinórját.
- Helyezze fel a kis fogaskerék **N** burkolatát.



13

Szerelés

- Szerelje fel a kapulap **K** rögzítőszegletét a kapulap keretére.
 - Helyezze el a rögzítőcsavarokat vízszintesen vagy függőlegesen.

14

- Szerelje az **L** tartószegletet a beépítési szituáció függvényében a szemöldökre vagy a födémre (lásd: „Beépítési szituációk / -példák”). Furatmélység: 5,3 cm.

15

- Vegye le a borítófedelet.
- Kösse össze a garázskapuhajtást a tartószeglettel.
 - A csavart csak lazán húzza meg. A csavarnak lehet játéka, mivel az anya önbiztosító.

16

- Rögzítse a meghajtófejet a födémen; – furatmélység: 5,3 cm.
 - Ügyeljen a meghajtófej garázskapuhoz képesti középére történő elhelyezésére (összehasonlításként lásd a **K** rögzítőszegletet a kapulapon)!

17

- Kösse össze az **M** vezetőkart a kapulap rögzítőszegletével (a **Q** és az **Y** tételek segítségével) és a futókocsival. A csavaroknak lehet játéka, mivel az anyák önbiztosító anyák.

A stabil mechanikus végütközők nélküli kapuknál szerelje fel a **Z** végütköző-szegletet az alábbiak szerint:

- Nyissa ki teljesen a garázskaput. A végütköző-szeglet szerelési pozíciója teljesen nyitott kapu esetén közvetlenül a futókocsi mögött van.
- Jelölje be a furatok helyét, majd egy Ø 3,6 mm-es fémfúróval fúrja ki a furatokat.
- Szerelje fel a végütköző-szegleteket a **ZZ** lemezcsavarokkal.

- Ellenőrizze a kapu futását kézzel. A futókocsinak ehhez kireteszelt állapotban kell lenni.
- Nyissa ki a garázskaput teljesen, majd zárja be.

18

- Készítse elő a garázskapuhajtást az összecsatoláshoz. Ehhez nyomja le a műanyagkart. A kireteszelés megszűnik, mielőtt a fémkar kipattan. Ezt követően vigye a garázskaput kézzel a „Kapu fenn” állásba, azaz amíg futókocsi a menesztővel összekapcsolódik.

Beállítási utasítás

Üzembevétele



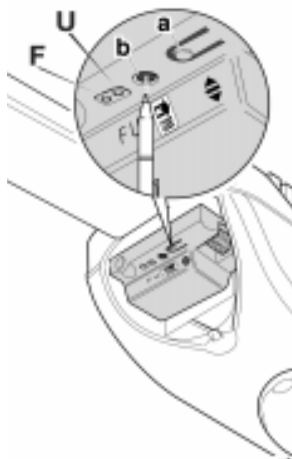
Sérülésveszély!

Az üzembehelyezéskor és beállításkor távolítsa el a személyeket és a tárgyakat a kapu mozgástartományából.



Tanács:

A lámpa tartós bekapcsolása a hajtásvilágítás burkolatát erősen felmelegítheti, ezért az üzembehelyezést burkolat nélkül végezze.



- Dugja be a hálózati dugaszt. A hajtásvilágítás folyamatosan bekapcsolva.
- Ellenőrizze, hogy a menesztő a láncon a futókocsival összekapcsolódott-e. A kapunak ekkor kézzel nem szabad mozgathatónak lenni.

- F** LED – a kézi távirányító jelének fogadásakor kigyullad
- F** LED – meglévő hálózati feszültség esetén világít
- a** Kezelőgomb
- b** Programozógomb

A garázkapu véghelyzeteinek beállítása / változtatása

A folyamat mindenkor magában foglalja a felső és az alsó véghelyzet beállítását, valamint a tesztelést.

A **felső véghelyzet** alatt a futókocsi pozíciója értendő, teljesen nyitott kapu esetén.

Az **alsó véghelyzet** alatt a futókocsi pozíciója értendő, teljesen zárt kapu esetén.

A beállítási folyamatot a megadott sorrendben kell elvégezni. A beállítás akkor van befejezve, ha a hajtásvilágítás kialszik. A kézi távirányítót csak ezt követően szabad működtetni.



Óvatosan!

A kapu futókocsijának mozgásbehátárolásához kell lenni egy stabil végütközőnek, mert különben a hajtás a beállítási folyamatnál tovább fut, és a kapumechanika megsérülhet.

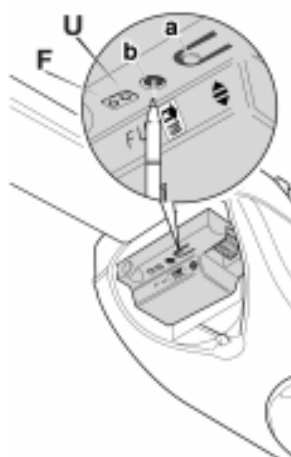


Tanács:

A programozógombot csak gyengén nyomja meg (pl. egy golyóstollal).

A beállítási folyamat leállításához húzza ki a hálózati dugaszt. Miután a hálózati dugaszt ismét bedugta, a beállítási folyamatot újra el kell kezdenie.

A felső és az alsó véghelyzet közötti minimális távolság 30 cm. Ennél kisebb távolság nem programozható.



1. A felső véghelyzet beállítása

- Nyomja a **b** programozógombot legalább 2 másodpercig (golyóstollal), amíg a hajtásvilágítás el nem alszik.
 - A hajtásvilágítás ismét bekapcsol.
 - Ha a hajtásvilágítás villog, akkor a programozógomb túl rövid ideig volt nyomva. Ebben az esetben húzza ki a hálózati dugaszt, majd dugja be újra. Kezdje el ismét a véghelyzetek beállítását.
- Nyomja meg röviden az **a** kezelógombot (kb. 1 másodpercig).
 - A garázkapuhajtás a "Kapu fel" irányba fut a mechanikus végütközőig, majd onnan kb. 5 cm-t vissza.
 - Ezt a pozíciót korrigálni is lehet; - ehhez nyomja meg az **a** kezelógombot és tartsa megnyomva, amíg a kívánt pozíció elérése meg nem történt. Minden gombnyomásnál változik a mozgásirány.
- Ha a kívánt véghelyzet beállítása megtörtént:
 - Nyomja meg a **b** programozógombot, amíg a hajtásvilágítás ki nem alszik.
 - A hajtásvilágítás ismét kigyullad.

A felső véghelyzet elmentése megtörtént.

2. Az alsó véghelyzet beállítása

- Nyomja az **a** kezelógombot és tartsa lenyomva, amíg a garázkapu teljesen be nem záródik (mechanikus ütköző).
 - Az alsó véghelyzet szükség esetén az **a** kezelógombbal megváltoztatható; - lásd fenn.
 - A kapumechanika kímélése érdekében a véghelyzetet úgy állítsa be, hogy a kapu ne menjen túl erős nyomással a mechanikus végütközőnek.
- Nyomja meg a **b** programozógombot, amíg a hajtásvilágítás ki nem alszik.
 - A hajtásvilágítás ismét kigyullad.

Az alsó véghelyzet elmentése megtörtént.

3. Tesztelés elvégzése

- Nyomja meg röviden az **a** kezelógombot és várjon, amíg a garázkapu teljesen ki nem nyílik.
- Nyomja meg ismét az **a** kezelógombot, amíg a garázkapu teljesen be nem záródik.
 - A hajtásvilágítás kialszik.

A beállítási folyamat lezárult.

Ha a tesztelési folyamat nem volt sikeres, akkor ismétlje meg a teljes beállítási folyamatot.

A teszteltetés csak akkor tökéletes, ha közben nem történik megszakítás. A teszteltetés közben a garázkapuhajtás teljes erővel dolgozik és eközben automatikusan „megjegyzí” a nyitáshoz és záráshoz szükséges erőket. Az összes ezt követő működtetésnél az erő automatikusan utánjuszírozódik (ez fontos pl. télen, ha a garázkapu valamivel nehezebben mozog).

A kézi távirányító betanítása

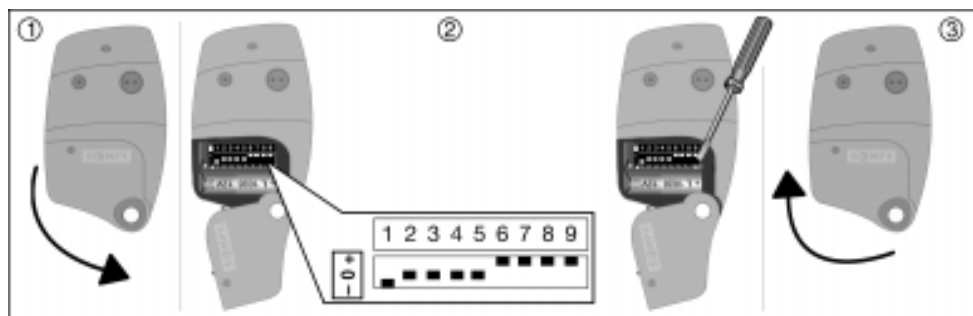
1. A biztonsági kód beállítása



Tanács a Somfy Security rendszerhez:

Biztonsági okokból legalább az egyik kapcsolónak a + vagy 0 álláson kell állni, hogy a kézi távműködtető a hajtáson betanítható legyen. Azaz, a „-----” biztonsági kód érvénytelen.

Kódolja be a kézi távirányítóját a személyi biztonsági kódjával. Ehhez:

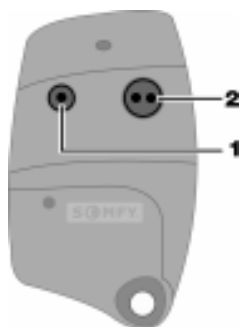


- Húzza le a kéz távirányító fedelét (1).
- A kívánt kódot állítsa be pl. egy csavarhúzóval (2).
 - Állítson be egy tetszés szerinti számú kapcsolót 1 és 9 között +/- -ra, vagy 0-ára.
- Húzza vissza a kézi távirányító fedelét (3).

A kéz távirányítója most a hajtásra betanítható.

2. A kézi távirányító betanítása a hajtáson

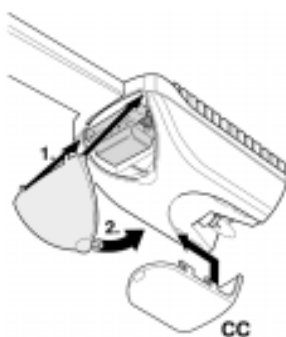
Mielőtt a kézi távirányító programozását elkezdji, jelölje ki a kézi távirányító két gombja közül az **1** vagy **2** gombot kezelőgombnak. Ezt követően csak ezzel a gombbal tudja a garázkapuhajtást kezelni. Ez a gomb az alábbi leírásban „1 gomb”-nak van nevezve.



- Nyomja meg röviden a **b** programozógombot a kapuhajtáson (kb. 1 másodperc).
 - A meghajtás világítása villog.
 - Ha a meghajtás világítása folyamatosan világít, akkor a gomb túl soká volt megnyomva. Ebben az esetben húzza ki a hálózati dugaszt, majd dugja be újra. Ismétlje meg a „Kézi távirányító betanítása”-t.
- Nyomja meg az **1** gombot a kézi távirányítón kb. 1 másodpercig, amíg a hajtásvilágítás ki nem alszik, majd ezt követően ismét nem villog.
- Nyomja meg ismétlen ugyanazt a gombot a kézi távirányítón kb. 1 másodpercig, amíg a hajtásvilágítás ki nem alszik, majd rövid időre ki nem gyullad.

A kézi távirányító betanítása a hajtáson megtörtént.

- A betanítási folyamat befejezése után helyezze fel az elektronika burkolatát és a hajtásvilágítás **CC** burkolatát.



3. További kézi távirányítók

Miután egy kézi távirányítót betanított, további távirányítókat is alkalmazhat betanítási folyamat nélkül, az alábbi feltételek mellett:

- A biztonsági kódnek azonosnak kell lenni.
- Ugyanazt a kezelőgombot kell használni (1 gomb).

4. A kézi távirányító törlése

A betanított kézi távirányítók törléséhez írja át az addig elmentett értékeket.

Ez az alábbiak szerint történik:

- Tanítson be a kézi távirányítón egy új kezelőgombot,
- vagy
- ha egy kézi távirányítót egy új biztonsági kóddal tanít be a hajtáson (lásd: „A biztonsági kód beállítása”).



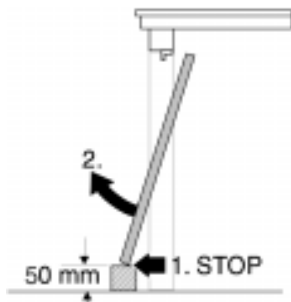
Figyelem:

A kézi távirányító kódjának törlése az összes távirányító törlését jelenti, amely ugyanazzal a biztonsági kóddal, ill. ugyanazzal a kezelőgombbal lett programozva.

Az akadályfelismerés ellenőrzése

Üzembevételekor és ezt követően havonta legalább egy alkalommal:

- Helyezzen egy megfelelő, legalább 50 mm magas tárgyat (pl. egy fadarabot) a garázkapu bezárásmozgásának útjába.
- Indítsa el a garázkapuhajtást.
 - a tárgyra történő ráfutásnál a garázkapu megáll, felmegy a felső mechanikus végütközőig, majd visszamegy a programozott végállásig.
 - A hajtásvilágítás egy másodperces ütemben villog.
- A garázkapuhajtás ismételt indítására a villogás megszűnik.
 - Amennyiben nem szűnik meg, forduljon a Service-Line-hoz.



A tartozék csatlakoztatása

Előkészítés



Áramütésveszély!

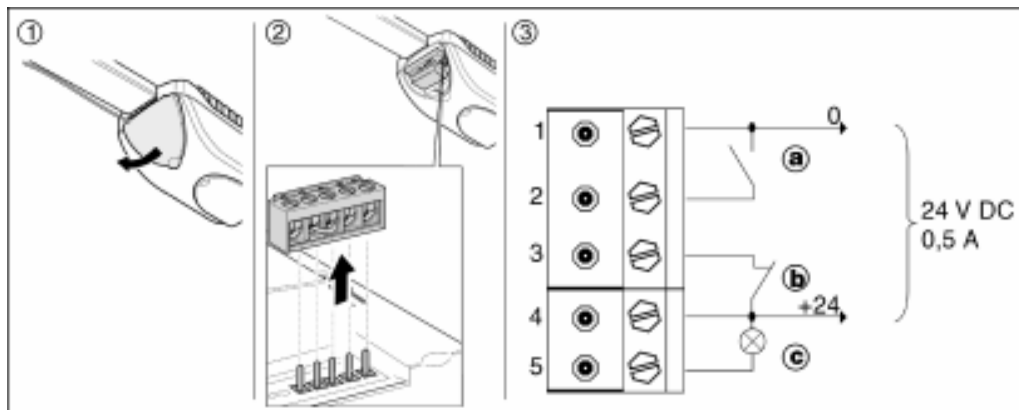
Tartozékok csatlakoztatása előtt húzza ki a hálózati dugaszt.



Óvatosan!

Csak az utasítás szerinti eredeti tartozékokat csatlakoztasson. Potenciálmentes érintkezőket alkalmazzon; – ne alkalmazzon idegen feszültséget!

- Vegye le az elektronika burkolatát (1).



- A csatlakozóvezeték csatlakoztatásához húzza le a kapocslécet (2).

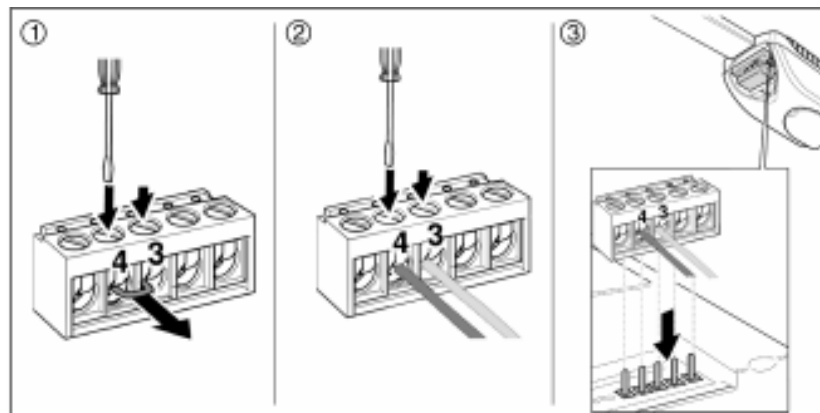
A csatlakozó kiosztása (3):

- **a** A gomb csatlakozója
- **b** A fényzorompó csatlakozója
- **c** A figyelmeztető lámpa csatlakozója



Figyelem!

A biztonsági tartozékokat egy szakműhellyel csatlakoztassa!



- Oldja meg a 3 és 4 csatlakozókapcsokat egy is csavarhúzóval (1). Távolítsa el az áthidalást.
- A 3 és 4 kapcsokba dugja be a csatlakozóvezetékét, majd húzza meg a csavarokat (2).
- Helyezze vissza a kapcsolécet (3).
- Dugja be a hálózati dugaszt. Ellenőrizze a működést.



Figyelem:

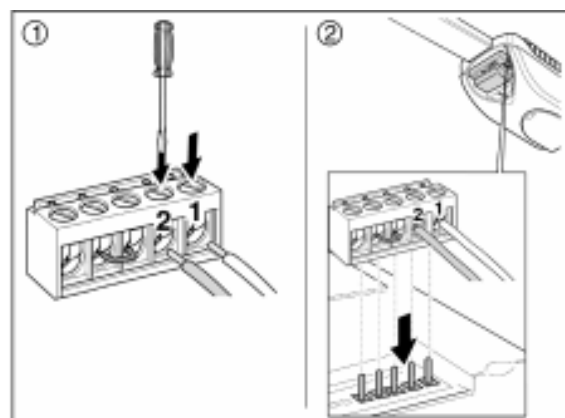
Amennyiben több biztonsági tartozék kerül alkalmazásra, akkor azokat sorba kell kapcsolni.

Belső-, kód-, kulcsos nyomógomb



A gomb elhelyezése:

- a garázkaputól látótávolságban,
- a mozgó alkatrészekről távol,
- a belső nyomógomb legalább 1,5 m magasságban.
- Lazítsa meg egy kis csavarhúzóval az 1 és 2 csatlakozókapcsot.



- Dugja be a csatlakozóvezetéseket és húzza meg a csavarokat.
- Helyezze vissza a sorkapcsolécet (2).
- Dugja be a hálózati dugaszt, ellenőrizze a működést.



Figyelem:

Amennyiben több nyomógomb van alkalmazva, azokat sorba kell kötni.

Figyelmeztető lámpa

A figyelmeztető lámpa a kapu mozgása közben világít.

- Csatlakoztassa a figyelmeztető lámpát a figyelmeztető kimenetre a 4 és 5 kapcsokra.

24 V-os kimenet

A 24V-os kimenet egy fénysorompó vagy egy biztonsági kapocslevegő feszültségellátására szolgál. A feszültséget az 1 és 4 kapcsokra kell csatlakoztatni.

Kezelési utasítás

A garázkapu nyitása, zárása vagy leállítása



Sérülésveszély

A garázkaput csak akkor nyissa és zárja, ha annak mozgástatójában nincsenek személyek vagy tárgyak.

Áramkimaradás esetén, vagy ha a hajtáson zavar keletkezik, a garázkaput kizárólag csak a belső vagy külső vészkireteszellel nyissa. Ha a kapu a vészkireteszellel működtetése után csak fokozott erőfeszítéssel működtethető, feltétlenül hívjon egy garázkapuhoz értő szakembert.

A kézi távirányítót a gépjárműben úgy helyezze el, hogy az pl. a fékezésnél ne sérülhessen meg.



Óvatosan!

Ne tegye ki a kézi távirányítót magas hőmérsékletnek (pl. a gépjárműben közvetlen napsugárzásnak).

- Irányítsa a kézi távirányítót a garázkapu felé és nyomja meg a gombot 1–2 másodpercig, vagy
- működtesse a gombot (pl. kulcsoskapcsoló).
 - A hajtásvilágítás a nyitás vagy zárás után kb. 60 másodpercig világít



Folyamat a kézi távirányítót vagy a gomb többszöri működtetésekor:

Nyitás – leállítás – zárás – leállítás – nyitás – leállítás – zárás – leállítás stb.

Belső vészkireteszelés

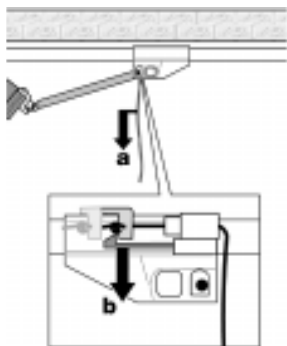
Vészhelyzetben vagy áramkimaradás esetén a garázkaput a hajtásról le lehet csatolni és belülről (kézzel) ki lehet nyitni.



Sérülésveszély

A kinyitott garázkapu kireteszeléskor leeshet, mert a rugók gyengék vagy eltörtek, vagy a kapu nincs megfelelően kiegyensúlyozva.

- Reteszelve ki a garázkaput, ehhez húzza meg **a** zsinórt.
 - A kar bepattan és a garázkapu kézzel kinyitható.
- Készítse elő a garázkaput a szétcsatoláshoz; – ehhez nyomja le a **b** műanyagkart.
- Ezt követően vigye a garázkaput a kiindulópályára.
 - A szétcsatolásnál egy folyamatos „Klikk” hallható.



Az elem cseréje a kézi távirányítóban



Óvatosan!

Az elem szakszerűtlen cseréje esetén veszély áll fenn. Az elemet csak ugyanolyan típusú elemmel cserélje ki. Csak kifolyásmentes elemet alkalmazzon.

A környezetet az elhasznált elemek veszélyeztetik!

Ne dobja az elhasznált elemeket a háztartási hulladékok közé. Gondoskodjon azok környezetkímélő eltávolításáról. Ügyeljen a gyártó által megadott utasításokra.



- Cserélje ki az elhasznált elemet egy újra.
- Az elem típusa: L1028/12 V

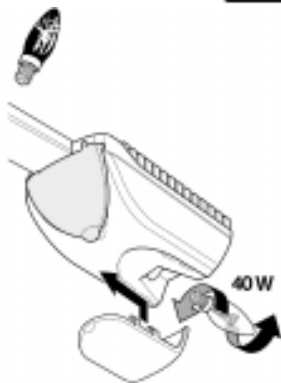
Az izzólámpa cseréje



Áramütésveszély!

Az izzólámpa cseréje előtt húzza ki a hálózati dugaszt.

- Húzza le a hajtásvilágítás burkolatát.
- Cserélje ki az izzólámpát egy újra (max. 40W, E14-es foglalat).
- Helyezze fel a burkolatot és pattintsa be.
- Dugja be a hálózati dugaszt.



Rendszeres ellenőrzés



Figyelem!

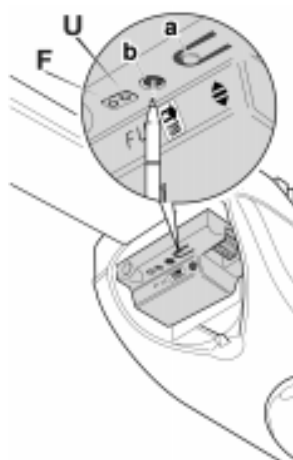
A kapumechanikán végzett javítási- vagy beállítási munkák alatt a berendezést nem szabad használni, mert meghibásodhat vagy egy helytelenül kiegyensúlyozott kapu sérüléseket okozhat.

- Ellenőrizze havonta egy alkalommal az alábbi funkciókat:
 - Akadályfelismerés (lásd az „Üzembevétel” fejezetet).
 - Az összes kiegészítésképpen beszerelt pótalkatrész működése (különös tekintettel a biztonsági berendezésekre)
- Ellenőrizze a teljes berendezés (kapu és hajtás) mechanikus működőképességét (kopás, sérülések – különösen a rugóknál és a rögzítési célokat szolgáló alkatrészeknél), valamint elektromos szerelését.

Mi történik, ha az áramellátás meg lett szakítva?

- A hajtásvilágítás az áramellátás visszatérése után 1 másodpercre kigyullad.
- A következő kezelőimpulzusnál a garázkapú a felső mechanikus végütközőig elmozdul (bázispont), majd visszamegy a felső programozott véghelyzetig.
- Ha ezt követően a hajtásvilágítás folyamatosan ég, az üzembehelyezést ismételtelen el kell végezni.

A zavarok önállóan történő elhárítása



Zavar	Lehetséges ok	Segítség
Optikai kijelzés: Folyamatos világítás a hálózati dugasz bedugása után és/vagy az üzembevetel közben.	A végállások beállítása és/vagy a tesztelés még nem lett lezárva.	Hálózati dugasz reset: Húzza ki a hálózati dugaszt majd dugja be újra. Végezze el a véghelyzetek beállítását és a tesztelést a használati utasítás szerint.
A meghajtás-világítás rendszeresen villog (1-másodperces ütemben).	Kapu-akadályeset lépett fel (pl. az akadályfelismerő vagy a biztonsági berendezés kioldott (pl. fényzorompó, kapuajtó-érintkező).	Távolítsa el az akadályt, nyissa és zárja a garázkaput.
A hajtásvilágítás rendellenesen villog (3 másodperc KI, 1 másodperc BE).	Az elektromos elemek ellenőrzésénél az elektronika egy rendellenességet ismer fel.	Reset: Nyomja meg egyszerre 5 másodpercre az a kezelőgombot és a b programozógombot. (A hajtásvilágítás villog). Folyamatos világítás általi resetnyugtázás. Állítsa be újra a véghelyzeteket és végezze el a tesztfuttatást. Eközben a betanított kézi távirányítók nem törlődnek. Amennyiben a hajtásvilágítás a véghelyzetek programozása közben ismét rendellenesen villog, vegye fel a kapcsolatot a Service-Line-nal.
A hajtásvilágítás nem világít.	Az izzó kiégett.	Cserélje ki.
A garázkapuhajtás a kézi távirányító működtetésére nem működik.	A távirányítóba az elem kimerült / rosszul van behelyezve.	Kérjük ellenőrizze, szükség esetén cserélje ki.
	A kód a fogadóban még nincs beolvasva.	Jelentse be a kézi távirányítót.
	A véghelyzet-beállítás, tesztelés nincs lezárva.	Végezze el a véghelyzet-beállítást és a tesztelést, majd zárja le. Ezt követően jelentse be a kézi távirányítót.
A garázkapuhajtás nem nyitja / zárja (vagy nem teljesen) a kaput.	A kapumechanika megsérült.	Ellenőrizze a kapumechanikát. Javítsa meg egy garázkapú-szakértővel.
	Kedvezőtlen külső körülmények (pl. erős eső) az ajtó súlyát megemelték. A garázkapuhajtás ezt a situációt akadálynak érzékeli.	Állítsa be újra a véghelyzeteket és végezze el a tesztfuttatást. Eközben a betanított kézi távirányítók nem törlődnek. Ha a zavar továbbra is fenn áll, vegye fel a kapcsolatot a Service-Line-nal.
	Nincs hálózati feszültség (az U LED nem világít).	Ellenőriztesse egy szakemberrel a hálózati feszültség meglétét.

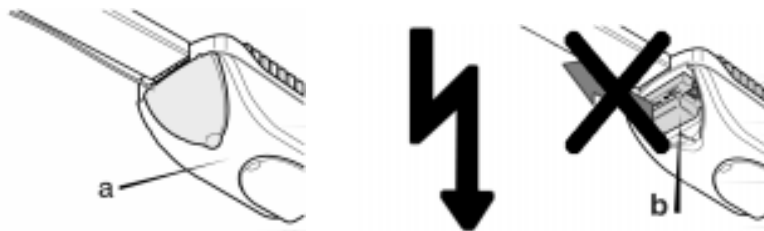
Vevőszolgálat

A 230 V-os területen keletkezett zavarokat csak elektromos szakember vagy a szerződéses vevőszolgálat háríthatja el. Ismét fellépő vagy más zavarok esetén kérjük, vegye fel a kapcsolatot a legközelebbi szerződéses vevőszolgálattal.



Figyelem!

A fedőburkolatot (a) csak a VDE 0100 szerinti elektromos szakember veheti le (áramütésveszély). Ellenkező esetben a szavatosság elvész.



Áramütésveszély!

A vezérlőelektronikán (b) végzett munkákat csak feszültségmentes állapotban szabad elvégezni! Ne húzza ki a vezérlőelektronikát!

Tartozékok

ezeket a tartozékokat beszerezheti egy szaküzletben. Ezzel kapcsolatos további információkat kaphat a SOMFY-garázskapuhajtások szaktereskedőjétől.

Tartozékok a további biztonsághoz

	SOMFY cikkszám	Megjegyzés
Külső vészkireteszelő – felemelhető- / szekcionális- és billenőkapukhoz, fogantyúval – az összes többi kapufajtához fogantyúval vagy anélkül (vészkireteszelő zár)	9 000 018 9 000 032	Amennyiben a garáznak nincs másik bejárata, feltétlenül fel kell szerelni egy külső vészkireteszelőt. Ezzel a garázskapu kívülről (kézzel) pl. áramkimaradás/zavarok esetén kinyitható.
Kapuajtó-érintkező	9 000 007	Megakadályozza nyitott kapuajtó esetén (ajtó a kapuban) a kapunak a garázskapuhajtás általi mozgását.
Padlóreteszelés	9 000 003*	
Reteszelőkészlet, reteszelővas nélkül	9 000 019*	
Oldalsó kapureteszelő	9 000 004*	
Fénysorompó	9 000 025	A fénsorompó megszakításánál a garázskapu azonnal leáll. A kapu BE irányba az akadály szabadabbá válik.
Figyelmeztető lámpa	9 000 030	

* Kiegészítő vezetőkár szükséges (rendelési szám: 9 000 002).

Tartozékok a nagyobb kezelési komforthoz

	SOMFY cikkszám	Megjegyzés
Kulcsoskapcsoló – süllyesztett / falon kívüli	9 000 021	
Belső nyomógomb	9 000 008	
Kód-nyomógomb	9 000 028	
2-csatornás kézi távirányító, világosszürke	1 800 037	433,42 MHz
4-csatornás kézi távirányító, Fun	1 800 035	433,42 MHz
4-csatornás kézi távirányító, sötétszürke	1 800 029	433,42 MHz

Tartozékok különleges beépítési feltételek esetére

	SOMFY cikkszám	Megjegyzés
Födémfüggesztő (szeglet)	9 000 034	Max. 270 mm-es felfüggesztésig.
Furatos sín a garázkapuhajtás felfüggesztéséhez	9 000 001	Össz hossz: 1m, 400 mm-es felfüggesztésig.
Födémfüggesztő (teleszkóp)	9 000 042	Max. 1.500 mm-es felfüggesztésig.
Vezetőkar hosszabbító	9 000 006 *	Alkalmazás széles szemöldök esetén (max. 400 mm-ig), ha a vezetőkar a szemöldökhöz közel van.
Hosszabbítórúd	9 000 005 *	Akkor szükséges, ha a kapu felső éle és a garázsfordém között a távolság túl kicsi és ha a teljes garázkapuhajtás hátra lesz helyezve. (max. 2,5 m-ig).
Szárnyaskapu-vasalás	9 000 009	Kapuszárny-szélesség max. 1,5 m/ szárny. A további utasításokat lásd: „Alkalmazhatóság”.
Szekcionáliskapu-vasalás	9 000 016	300–500 mm magas kapuszegmensekhez.
Rögzítőkengyel	9 000 040	A felső szekcionális kapuszegmens megerősítésére.
Hajlított vezetőkar	9 000 023	Szekcionális kapukhoz, ha a tartó- és rögzítősín a kapuszegmensen nem szükséges.
Emelőkar	9 000 015	Vízszintes futósínes billenőkapukhoz.
Sínhosszabbító készlet	9 000 031	Max. 700 mm-rel.

* Kiegészítő vezetőkar szükséges (rendelési szám: 9 000 002).

Gyártói nyilatkozat



(Lásd a 230. oldalt)

A gyártó (SOMFY GmbH, Felix-Wankel Straße 50, D-72108 Rottenburg a. N.) ezennel kijelenti az alábbiakat:

A KEASY L+ és KEASY XL+ típusú kapuhajtás megfelel a gépekre vonatkozó 99/5/EG, 98/37/EG irányelvnek, a DIN EN 12453:2001, DIN EN 60335-1:1995, E DIN EN 60335-2-95:2001 szabványok szerint.

Figyelem:

A kapuberendezés üzembevétele, amelybe a kapuhajtás beépítésre kerül, mindaddig tilos, amíg megállapítást nem nyer, hogy a kapuberendezés a 98/37/EG irányelvnek meg nem felel.

Rottenburg, 2004.02.16.

Desing Center vezető
Dieter Thomas képviseletében

Cuprins

Cuprins	123
Semnificația simbolurilor din aceste instrucțiuni de utilizare	124
Indicații pentru recuperarea materialelor	124
Pentru siguranța dumneavoastră	125
Utilizarea adecvată a sistemului	125
Important pentru protecția dumneavoastră	125
Instrucțiuni pentru persoane cu stimulator cardiac	125
Dispozitive de protecție	125
Pregătirea pentru montaj	126
Privire de ansamblu	126
Date tehnice	126
Domeniul de utilizare	127
Dimensiuni maxime ale porții de garaj	127
Stabilitatea grinzilor și a tavanului	127
Sistemul mecanic al porții	127
Racordul electric	127
Sisteme suplimentare de protecție	128
Instrucțiuni de montare	128
Instrucțiuni de protecție importante	128
Verificați conținutul livrării	128
Exemple de montare	129
Pregătirea capului de antrenare	129
Montarea	130
Instrucțiuni pentru efectuarea reglajului	130
Luarea în exploatare	130
Reglarea/modificarea pozițiilor limită de cursă ale porții garajului	131
Programarea telecomenzii	132
Verificarea recunoașterii de obstacole	133
Montarea accesoriilor	133
Pregătirea montării	133
Bariera optică, contact pentru ușa din poartă, bară pentru contact de protecție	134
Tasta interioară, tasta pentru cod, tasta pentru cheie	134
Becul de avertizare	135
Priza de 24 V	135
Instrucțiuni de utilizare	135
Deschiderea, închiderea sau oprirea porții garajului	135
Descuietoarea de avarie interioară	135
Înlocuirea bateriei telecomenzii	136
Înlocuirea becului	136
Verificări periodice	136
Ce se întâmplă în cazul unei întreruperi a alimentării electrice?	136
Îndrumar de depanare	137
Defecțiuni pe care le puteți remedia dumneavoastră	137
Service-ul	138
Accesorii	138
Accesorii suplimentare de protecție	138
Accesorii pentru confort sporit	139
Accesorii pentru situații de montare speciale	139
Declarația producătorului	139

Semnificația simbolurilor din aceste instrucțiuni de utilizare



Atenție! Important pentru protecția dumneavoastră.
Nerespectarea acestor informații are ca urmare pericol de moarte.



Atenție! Pentru protecția dumneavoastră.
Nerespectarea acestor informații are ca urmare pericol de accidentare sau deteriorarea de bunuri.



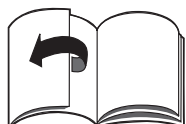
Important:
Se referă la staturi importante și practice.



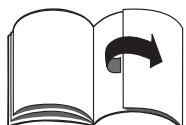
Pericol de electrocutare!
Înainte de efectuarea oricăror lucrări trageți fișa din priză.



A se utiliza numai în spații uscate.



Deschideți paginile pliate din față.



Deschideți paginile pliate din spate.



Indică numărul schiței de pe paginile pliate corespunzător unei instrucțiuni.

- Punctul are semnificația unei acțiuni care trebuie efectuată!
- Liniuța are semnificația unei instrucțiuni care trebuie avută în vedere în mod deosebit.

Indicații pentru recuperarea materialelor



În cazul înlocuirii unui sistem de antrenare a porții de garaj, se vor avea în vedere următoarele:

- Aparatele înlocuite nu sunt obiecte lipsite de valoare. Prin reciclare ecologică se pot recupera diverse materii prime valoroase.

Unele din componentele noului sistem de antrenare a porții de garaj sunt protejate contra ruginirii în timpul transportului și a depozitării acestora cu un film de ulei. Vă rugăm să debarasați ambalajele sau cârpele de șters cu resturi de ulei în mod ecologic.

Materialele ambalajelor sunt ecologice și reciclabile. Debarasați ambalajul în conformitate cu regulile de protecție a mediului înconjurător

Nu aruncați bateriile la resturile menajere.

Informații actuale referitoare la reciclarea și revalorificarea produselor puteți solicita de la centrul de desfacere sau de la administrația locală.

Pentru siguranța dumneavoastră

Utilizarea adecvată a sistemului

Sistemul de antrenare se poate utiliza pentru porți conforme cu normele europene EN 12604, respectiv EN 13241EN cu condiția respectării limitelor de solicitare și a acestor instrucțiuni de utilizare.

Utilizați acest sistem de antrenare a porților de garaj exclusiv pentru:



- deschiderea și închiderea automată a porților de garaj.
- în spații uscate.
- în sectorul particular.
- respectând descrierile și informațiile din instrucțiunile de utilizare.

Utilizarea în alte scopuri se consideră ca fiind neadecvată.

Important pentru protecția dumneavoastră



Atenție!

Pentru evitarea accidentelor cu pericol de moarte este neapărat necesar să respectați toate instrucțiunile de mai jos:



- Păstrați instrucțiunile de utilizare și, dacă este cazul, predați-le unui eventual nou proprietar. Înainte de a monta sistemul citiți instrucțiunile în întregime și aveți în vedere în mod special instrucțiunile de protecție.
- Efectuați montajul în ordinea descrisă și acomodați-vă cu modul de utilizare.
- Utilizați numai materialele de fixare din dotare sau care sunt recomandate în instrucțiuni și numai piese de schimb și accesorii originale.
- După luarea în exploatare a sistemului de antrenare a porții garajului instruiți toți beneficiarii cu modul de funcționare și utilizare a acestuia.
- Muchiile de închidere și sistemul mecanic de antrenare prezintă pericol de strivire și tăiere. Deschideți și închideți poarta garajului numai dacă puteți observa raza de basculare a mecanismului și dacă în această zonă nu se află alte persoane.
- Depozitați telecomanda astfel încât porniri accidentale să fie excluse: de ex. prin joaca copiilor.
- Montați sistemul de antrenare numai la porți de garaj centrate și echilibrate în mod corect. O poartă centrată incorect poate provoca accidente.
- Înainte de efectuarea oricărui lucru la poartă sau la sistemul de antrenare trageți fișa din priză.
- Înlocuiți neîntârziat cabluri de racordare la rețeaua electrică deteriorate (numai de către electricieni calificați).
- Nu apucați niciodată cu mâinile poarta sau componente aflate în mișcare.

Instrucțiuni pentru persoane cu stimulator cardiac

Puterea emițătorului telecomenzii se află în limitele normelor în vigoare și este în principiu neproblematică. Preventiv, pentru a evita orice risc, vă recomandăm să nu acționați telecomanda direct din apropierea corpului. Pentru siguranța dumneavoastră acționați telecomanda cu mâna întinsă în direcția porții garajului.

Dispozitive de protecție



Dispozitivele de protecție evită producerea de accidente și de daune materiale.

Nu scurtcircuitați dispozitivele de siguranță și nu le dezactivați în mod premeditat.

Recunoașterea automată a obstacolelor

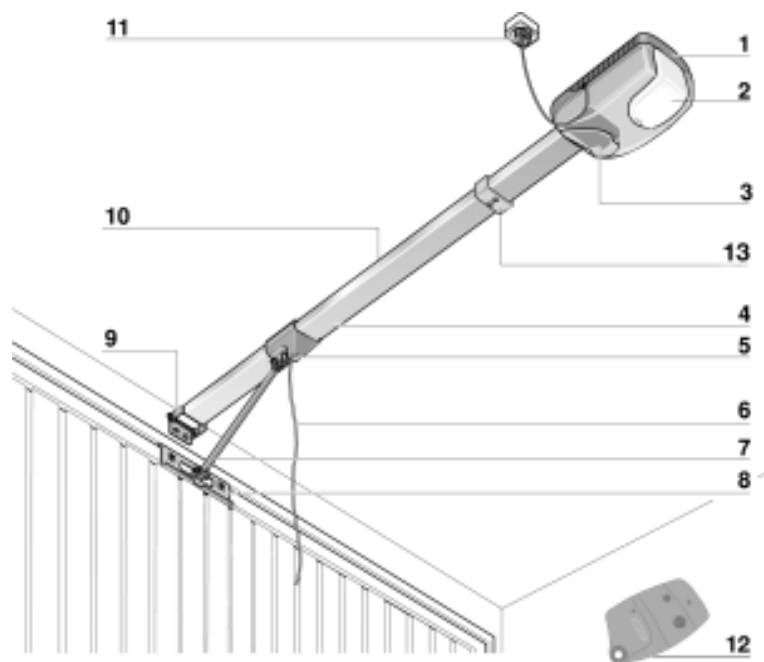
În cazul atingerii unui obstacol în timpul deschiderii porții, aceasta se oprește.

În cazul atingerii unui obstacol în timpul închiderii porții, aceasta se deschide la maximum până la limitatorul de cursă (punctul de referință) și apoi revine în poziția limită superioară programată pentru poarta deschisă.

- Verificați funcționalitatea acestui sistem cel puțin o dată pe lună (vezi capitolul „Luarea în exploatare”).
- În mod suplimentar vă recomandăm să montați și alte dispozitive de protecție (vezi „Accesorii”).

Pregătirea pentru montaj

Privire de ansamblu



- | | |
|--------------------------------------|--|
| 1. Capul de antrenare | 8. Colțar de fixare pe poartă |
| 2. Becul angrenajului | 9. Colțar de fixare de grindă/tavan |
| 3. Sistemul electronic | 10. Lanț cu sistem de inversare (mascat) |
| 4. Șina de ghidare | 11. Fișa |
| 5. Cuplă de ghidaj | 12. Telecomandă manuală |
| 6. Descuietoare de avarie interioară | 13. Limitator de cursă mecanic |
| 7. Braț de ghidare | |

Date tehnice



	KEASY L [⊕]	KEASY XL [⊕]
Masa	~ 15 kg	~ 15 kg
Forța de apăsare/tracțiune	pâna la 500 N variație continuă ¹⁾	pâna la 700 N variație continuă ¹⁾
Start lent/Oprire lentă	da, variație continuă	da, variație continuă
Domeniul de temperatură	-20 °C.....+50 °C	-20 °C.....+50 °C
Gabarit		
lungimea la montaj	3,30 m	3,30 m
lungimea cursei verticale	2,50 m ²⁾	2,50 m ²⁾
Date electrice		
tensiunea	230 V/50 Hz~	230 V/50 Hz~
puterea absorbită max.	300 W	300 W
consumul în regim de așteptare	< 4 W	< 4 W
tipul de protecție	IP 20	IP 20
regimul de funcționare	S2 scurtă durată	S2 scurtă durată
becul	max. 40 W/E14	max. 40 W/E14
Frecvența telecomenzii	ultrascurtă 433,42 MHz	ultrascurtă 433,42 MHz

1) cu autoprogramare

2) 3,00 m cu prelungitor pentru șină

Domeniul de utilizare

KEASY L⁺ / KEASY XL⁺

Se utilizează pentru:

- porți basculante cu șine de ghidaj superioare
- porți lamelare cu culisare verticală (necesită armătură specială, vezi „Accesorii”)
- porți cu două canaturi (necesită armătură specială, vezi „Accesorii”)

Suplimentar trebuie schimbat sensul de antrenare a angrenajului. Informațiile necesare le puteți obține de la centrul de desfacere sau de la cel mai apropiat Service autorizat. (vezi și instrucțiunile de utilizare pentru armătura porților cu canaturi)

KEASY XL⁺

Se utilizează pentru:

- porți basculante cu șine de ghidaj laterale și superioare (necesită spațiu pentru cursă, vezi „Accesorii”).
- porți lamelare cu culisare laterală (necesită armătură specială).

Dimensiuni maxime ale porții de garaj

	KEASY L ⁺	KEASY XL ⁺
Suprafața porți ușoare, de ex. din tablă porți grele, de ex. din lemn	până la 7,5 m ² până la 6,0 m ²	până la 12,0 m ² până la 7,5 m ²
Înălțimea porți lamelare cu culisare verticală alte tipuri de porți cu set de prelungire a șinei (vezi “Accesorii”)	până la 2,3 m până la 2,3 m peste 2,3 până la 3,0 m	până la 2,3 m până la 2,3 m peste 2,3 până la 3,0 m

Stabilitatea grinzilor și a tavanului

Rezistența minimă la sarcină a grinzilor și a tavanului:

- KEASY L⁺: 700 N
- KEASY XL⁺: 900 N



La găurit aveți în vedere grosimea tavanului (de ex. la tavanele din beton prefabricat)!

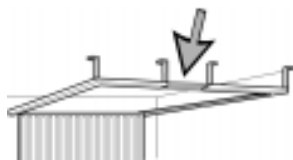
Adâncimea găurilor pentru diblurile și șuruburile din dotare: **53 mm**

În dotare se află dibluri standard de marcă. Dacă este cazul, utilizați dibluri speciale, care sunt adecvate pentru materialul de construcție al garajului.

Sistemul mecanic al porții

Puteți deschide și închide ușor poarta cu mâna și fără ca să se înțepenească? Dacă nu este cazul, solicitați repararea sistemului mecanic al porții de către persoane calificate.

În cazul în care șina porții este rigidizată cu o traversă diagonală, se poate întâmpla ca brațul de ghidare să lovească traversa de rigidizare. În acest caz puteți s-o tăiați și să îndepărtați unele părți din ea, vezi schița cu exemplul. Pentru a reface stabilitatea, fixați părțile rămase de tavan.



Racordul electric

Dispuneți de o priză de 230 V la distanța necesară față de sistemul de angrenare a porții?

- Lungimea cablului de racordare: **cca. 1 m**

În caz contrar, solicitați mutarea prizei într-o poziție corespunzătoare de către persoane calificate.



Sisteme suplimentare de protecție



Descuietoare de avarie exterioară

Dacă garajul nu dispune de o a doua posibilitate de acces, trebuie neapărat să montați o descuietoare de avarie exterioară (vezi „Accesorii”). Cu aceasta puteți deschide garajul manual de la exterior de ex. în cazul unei pane de curent sau a unei defecțiuni.



Limitator de cursă mecanic

La luarea în exploatare sau după ce poarta a atins un obstacol este neapărat necesar ca deplasarea porții să fie limitată de către un limitator de cursă mecanic (se află în dotare).



Zăvorârea porții

Sistemul de antrenare a porții este autoblocant și menține poarta închisă. Eventuale sisteme de zăvorâre care sunt deja montate trebuie automatizate (vezi “Accesorii”), înlăturate sau scoase din funcție.

Instrucțiuni de montare

Instrucțiuni de protecție importante



Atenție!

Montajul greșit poate avea ca urmare producerea de accidente grave. Respectați toate instrucțiunile de montare!

Srijinul unei a doua persoane vă ușurează mult montarea.



Atenție!

În timpul găuritului deasupra capului purtați ochelari de protecție.

Înainte de a vă apuca de găurit acoperiți capul de antrenare pentru a-l feri de praf.



Verificați conținutul livrării

Pentru a putea efectua montajul fără întreruperi inutile, verificați dacă:

- au fost livrate toate piesele,
- piesele livrate se află în stare corespunzătoare.

Nu montați piese deteriorate! Luați legătura cu centrul de desfacere.



Sfat practic:

*Componentele din material expandat **AA** servesc la atenuarea zgomotului produs de lanț.*



Așezați la îndemână toate sculele necesare la montare.

Exemple de montare

Unde să montăm colțarul de tavan și capul de antrenare?

(Exemplu pentru o poartă basculantă cu șine de ghidaj superioare)



3

Pentru a obține un transfer optimal al puterii se recomandă să montați angrenajul de antrenare cât se poate de aproape de punctul corespunzător înălțimii maxime a cursei porții.

- Determinați punctul cel mai înalt al cursei porții **a** (**a** = distanța minimă dintre tavan și blatul porții). În funcție de valoarea determinată există diverse posibilități de montare.

4

1. Cota **a** de la 38 mm până la 140 mm

- Montați angrenajul pe tavan.
- Fixați colțarul pentru grindă/tavan de grindă sau de tavan (de preferință de grindă).
- În cazul fixării de grindă, păstrați o distanță de 15 mm.

5

2. Cota **a** mai mare de 140 mm

- Fixați colțarul pentru grindă/tavan de grindă păstrând o distanță de 50 mm între cantul inferior al șinei și punctul cel mai înalt al cursei porții.
- Suspențați capul de antrenare de tavan (este necesară utilizarea unei șine de montaj cu găuri, vezi „Accesorii”).

6

3. Cota **a** mai mică de 38 mm

- Montați colțarul pentru grindă/tavan și capul de antrenare în spatele porții deschise pe tavan (este necesară utilizarea șinei prelungitoare, vezi „Accesorii”). În acest caz nu pierdeți din vedere lungimea totală a instalației.

Pregătirea capului de antrenare



7

- Introduceți elementele de legătură a șinelor **B** până la opritoarele din șinele de ghidare **A** și îmbinați șinele.
- Îndoțiți căptușelile de material expandat **AA** la falțuri.
- Întepeniți atenuatoarele de zgomot la mijlocul celor 4 șine de ghidare **A**.
- Îmbinați șina astfel pregătită cu capul de antrenare **C**.

8

- Introduceți cupla de ghidaj **D** pe șină.
- Îmbinați elementele de inversare frontale **E**, **F**, **G** și introduceți-le în șină.

9

- Pentru a desfășura lanțul **J** puteți să desprindeți capacul cutiei de piese și să-l utilizați ca suport.
- Ștergeți surplusul de ulei de pe lanț cu ajutorul unei cârpe.

10

- Desfășurați lanțul în șină.
 - Lanțul trebuie neapărat să treacă prin cupla de ghidaj **D** pe partea clichetului de antrenare **I**. Pentru aceasta trebuie să decuplați cupla de ghidare (pârghia metalică trebuie să se încliचेzeze cu pârghia de material plastic).
- Clichetul de antrenare **I** trebuie fixat pe ambele părți ale lanțului **J** cu elementul de închidere a lanțului **H**.



11

- Pentru a așeza lanțul în elementul de întoarcere **F** trebuie să strângeți forțat arcul **E**. Ca sculă ajutătoare puteți utiliza brațul de ghidare **M**.
 - Lanțul trebuie așezat corect în ghidaje și nu are voie să fie răsucit.

12

- Fixați cablul de deschidere **O**.
- Montați masca **N**.

Montarea



13

- Montați colțarul de fixare **K** pe rama blatului porții.
 - Șuruburile de fixare pot fi montate orizontal sau vertical.

14

- Montați colțarul de fixare **L** pe tavan sau pe grindă în funcție de situație (vezi „Exemple de montare”). Adâncimea găurilor 5,3 cm.

15

- Desprindeți capacul.
- Îmbinați angrenajul cu colțarul.
 - Strângeți șurubul ușor. Șurubul are voie să aibe joc deoarece piulița este cu autoasigurare.

16

- Fixați capul de antrenare de tavan, adâncimea găurilor 5,3 cm.
 - Aveți în vedere ca orientarea capului de antrenare să fie centrată pe mijlocul porții (orientați-vă după colțarul de fixare **K** de pe blatul porții).

17

- Fixați brațul de ghidare **M** de colțarul de fixare de pe poartă (cu ajutorul **Q, Y**) și de cupla de ghidare. Șuruburile pot avea joc deoarece piulițele sunt cu autoasigurare.

La porți care nu dispun de un limitator mecanic de cursă solid, trebuie montat limitatorul de cursă **Z** după cum urmează:

- Deschideți poarta garajului complet. Poziția de montare a limitatorului de cursă se află direct după cupla de ghidaj când poarta este complet deschisă.
- Marcați pozițiile pentru găurile de fixare și găuriți șina cu un burghiu de metal Ø 3,6 mm.
- Fixați limitatorul de cursă cu șuruburile pentru tablă **ZZ**.

18

- Verificați glisajul porții cu mâna. Cupla de ghidare trebuie să fie deblocată.
- Deschideți poarta garajului complet și închideți-o.
- Pregătiți poarta în poziție închisă pentru a fi cuplată; pentru aceasta apăsați pe pârghia de material plastic în jos. Deblocarea se anulează de îndată ce pârghia metalică se deschichetează. După aceasta treceți poarta manual în „Poziția deschis”, cupla de ghidaj trebuie să se racordeze cu clichetul de antrenare.

Instrucțiuni pentru efectuarea reglajului

Luarea în exploatare



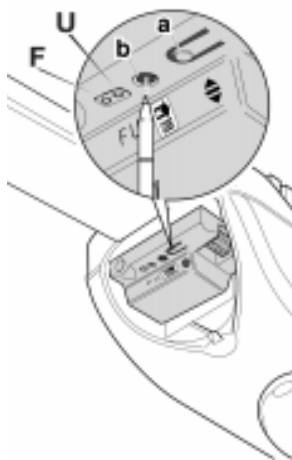
Pericol de accidentare!

În timpul luării în exploatare și a efectuării reglajelor evitați staționarea persoanelor în raza de acțiune a porții și îndepărtați obiectele aflate în această raza.



Sfat practic:

Lumina aprinsă pe durată lungă poate determina supraîncălzirea apărătorii becului angrenajului. Efectuați luarea în exploatare cu apărătoarea demontată.



- Introduceți fișa în priză. Becul angrenajului arde continuu.
- Verificați dacă clichetul de antrenare s-a cuplat cu lanțul din cupla de ghidare. Poarta garajului trebuie să nu poată fi mișcată cu mâna.

- F** fotodiodă, se aprinde la recepționarea unui semnal de la telecomandă
- U** fotodiodă, se aprinde dacă există tensiune la rețea
- a** tastă de comandă
- b** tastă de programare

Reglarea/modificarea pozițiilor limită de cursă ale porții garajului

Procedura include întotdeauna reglajul poziției limită superioare, a celei inferioare și proba de funcționare.

Poziția limită superioară este definită de poziția cuplei de ghidaj când poarta este complet deschisă.

Poziția limită inferioară este definită de poziția cuplei de ghidaj când poarta este complet închisă.

Operațiile de reglaj trebuie efectuate în ordinea prescrisă și reglajul este încheiat atunci când becul angrenajului se stinge. Numai după aceea puteți regla telecomanda.



Atenție!

Sistemul trebuie să dispună neapărat de un limitator de cursă solid (pentru poziția limită superioară); în caz contrar angrenajul continuă să funcționeze și poate deteriora sistemul mecanic al porții.

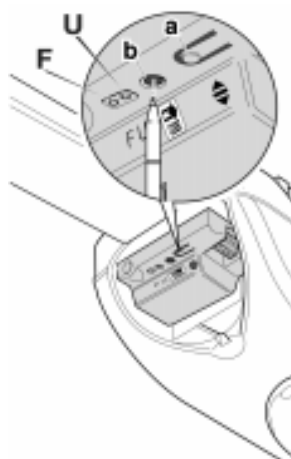


Sfat practic:

Apăsați tasta de programare întotdeauna ușor (de ex. cu un pix).

Pentru a întrerupe procedura de reglare trageți fișa din priză. După ce introduceți fișa din nou în priză, trebuie să reluați procedura de reglare de la început.

Distanța minimă între limita superioară și cea inferioară este de 30 cm. Distanțe sub această valoare nu pot fi programate.



1. Reglarea poziției limită superioare

- Apăsați tasta de programare **b** cel puțin 2 secunde (cu pixul), până ce becul angrenajului se stinge.
 - Becul angrenajului se aprinde din nou.
 - Dacă becul angrenajului clipește, ați apăsat tasta prea puțin timp. În acest caz trageți fișa din priză și introduceți-o la loc. Reluați procedura de reglare de la început.
- Apăsați tasta de comandă **a** scurt timp (cca. 1 secundă).
 - Angrenajul pornește în sensul „Poarta deschisă” până la limitatorul de cursă și apoi cca. 5 cm înapoi.
 - Această poziție poate fi corectată: apăsați pe tasta **a** și mențineți-o apăsată până când poarta ajunge în poziția dorită. Sensul de deplasare a porții se modifică la fiecare nouă apăsare.
- După ce poarta ajunge în poziția limită superioară dorită:
 - Apăsați pe tasta de programare **b** până când becul angrenajului se stinge.
 - Becul angrenajului se aprinde din nou.

Poziția limită superioară este memorată.

2. Reglarea poziției limită inferioare

- Apăsați tasta de comandă **a** până când poarta se închide complet (limita mecanică).
 - Poziția limită inferioară poate fi modificată prin apăsarea pe tasta de comandă **a**, vezi mai sus.
 - Pentru a evita suprasolicitarea sistemului mecanic al porții, reglați poziția limită inferioară astfel încât poarta să nu apese prea tare pe limita mecanică inferioară.
- Apăsați pe tasta de programare **b** până când becul angrenajului se stinge.
 - Becul angrenajului se aprinde din nou.

Poziția limită inferioară este memorată.

3. Proba de funcționare

- Apăsați scurt pe tasta de comandă **a** și așteptați până când poarta s-a deschis complet.
- Apăsați din nou scurt pe tasta de comandă **a** și așteptați până când poarta s-a închis complet.
 - Becul angrenajului se stinge.

Procedura de reglare este încheiată.

Dacă proba de funcționare nu a fost încununată de succes, repetați procedura de reglare.

Procedura este completă numai dacă a fost efectuată fără întreruperi. În timpul probei de funcționare angrenajul lucrează cu putere maximă și „învață” automat care este puterea necesară pentru deschiderea și închiderea porții. La fiecare cursă nouă puterea de acțiune se autoreglează (un lucru important de ex. pe timp de iarnă când poarta se mișcă mai greu).

Programarea telecomenzii

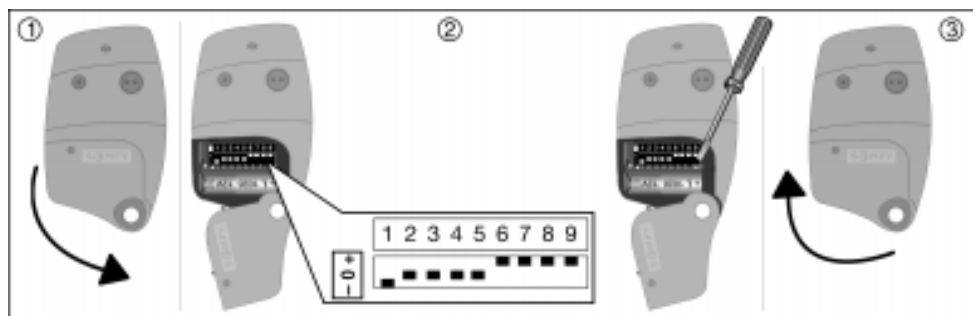
1. Reglarea codului



Informație importantă referitoare la Sistemul de Securitate Somfy:

Pentru a putea programa telecomanda și din motive de securitate cel puțin unul din comutatoare trebuie să fie reglat pe + sau 0. Aceasta înseamnă că un cod cu formatul „- - - - -” nu este valabil.

Codificați telecomanda cu codul dumneavoastră personal. În acest scop:

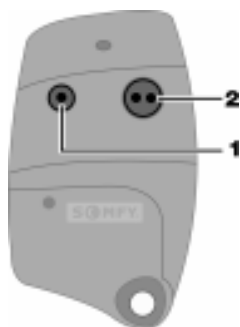


- Basculați înapoi capacul telecomenzii (1).
- Reglați codul dorit, de ex. cu o șurubelniță (2).
 - Reglați un număr la alegerea dumneavoastră de comutatoare între 1 și 9 pe pozițiile +/- sau 0.
- Închideți capacul telecomenzii (3).

Acum telecomanda poate fi programată.

2. Sincronizarea telecomenzii cu angrenajul

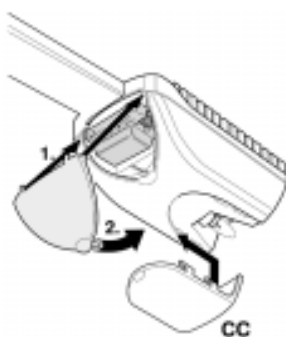
Înainte de a începe procedura de programare a telecomenzii stabiliți care din cele două taste **1** sau **2** va fi tasta de comandă. După aceea veți putea comanda angrenajul porții de garaj numai cu tasta stabilită. În continuarea textului această tastă va fi numită „tasta 1”.



- Apăsați scurt (cca. 1 secundă) pe tasta de programare a angrenajului **b**.
 - Becul angrenajului clipește.
 - Dacă becul angrenajului se aprinde, ați apăsat pe tasta de programare prea mult timp. În acest caz trageți fișa din priză și introduceți-o la loc. Repetați operațiunea de „programare a telecomenzii”.
- Apăsați pe tasta definită ca tasta 1 pe telecomandă minimum 2 secunde până când becul angrenajului se stinge și începe din nou să clipească.
- Apăsați din nou aceeași tastă pe telecomandă cca. 2 secunde până când becul angrenajului se stinge și clipește încă o dată scurt.

Sincronizarea telecomenzii cu angrenajul este încheiată.

- După încheierea procedurii montați la loc capacul sistemului electronic și cel al becului **CC**.



3. Telecomenzi suplimentare

După ce ați sincronizat o telecomandă puteți utiliza telecomenzi suplimentare fără a mai fi nevoie să le sincronizați respectând următoarele condiții:

- ați reglat același cod
- utilizați aceeași tastă de comandă (tasta 1).

4. Anularea programării telecomenzii

Sincronizarea poate fi anulată printr-o nouă programare care anulează valorile sincronizate.

Aceasta se poate realiza în felul următor:

- prin sincronizarea unei alte taste a telecomenzii sau
- prin sincronizarea unei telecomenzi cu un alt cod cu angrenajul (vezi „Reglarea codului”).



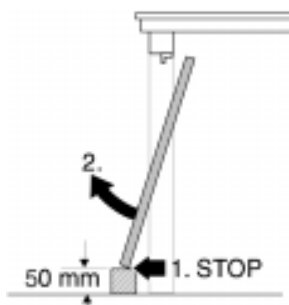
Informație importantă:

Dacă anulați programarea unei telecomenzi înseamnă că ați anulat programările tuturor telecomenzilor care au avut același cod, respectiv au fost comandate de la aceeași tastă 1

Verificarea recunoașterii de obstacole

La luarea în exploatare și apoi minimum 1 x pe lună:

- Așezați un obiect corespunzător cu înălțimea de min. 50 mm (de ex. o bucată de lemn) în drumul porții (în timpul cursei de închidere).
- Porniți angrenajul.
 - La atingerea obstacolului, poarta se oprește, apoi se deplasează înapoi până la limitatorul de cursă și revine la poziția limită superioară pe care ați programat-o.
 - Becul angrenajului clipește la intervale de 1 secundă.
- La o nouă pornire a angrenajului clipitul încetează.
 - Dacă becul continuă să clipească, solicitați sfatul Service-ului.



Montarea accesoriilor

Pregătirea montării



Pericol de electrocutare

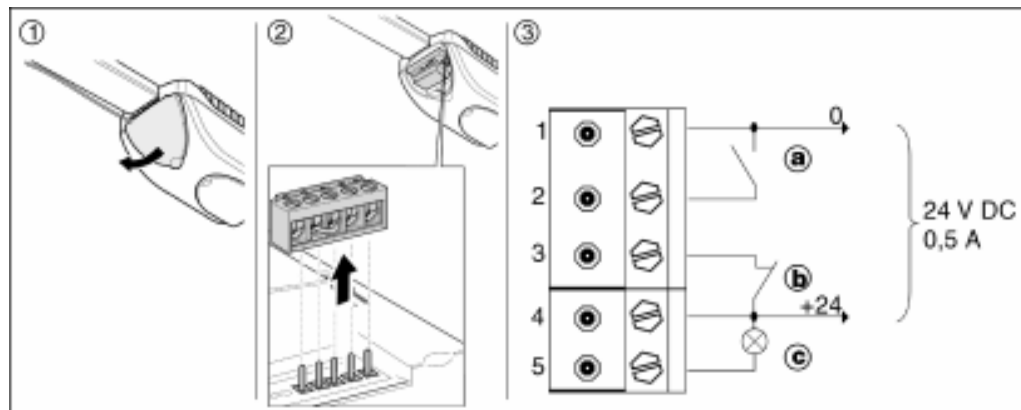
Înainte de a racorda accesoriile trageți fișa din priză.



Atenție!

Racordați numai accesoriile originale respectând instrucțiunile de montare. Utilizați contacte fără potențial – nu utilizați tensiunea unei surse exterioare.

- Demontați capacul sistemului electronic.



- Pentru a racorda cablurile trageți regleta de cleme (2).

Schema electrică (3):

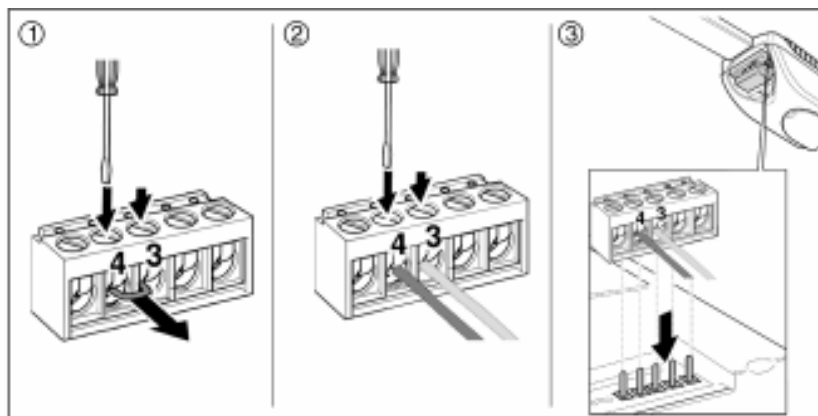
- **a** borne pentru tastă
- **b** borne pentru bariera optică
- **c** borne pentru becul de avertizare

Bariera optică, contact pentru ușa din poartă, bară pentru contact de protecție



Atenție!

Racordarea accesoriilor se va efectua de către o unitate specializată.



- Deșurubați șuruburile bornelor 3 și 4 (utilizați o șurubelniță mică) (1).
Îndepărtați puntea de legătură.
- Introduceți firele de alimentare la bornele 3 și 4 și strângeți-le bine (2).
- Montați regleta la loc (3).
- Introduceți fișa în priză, verificați funcționarea sistemului.



Informație importantă:

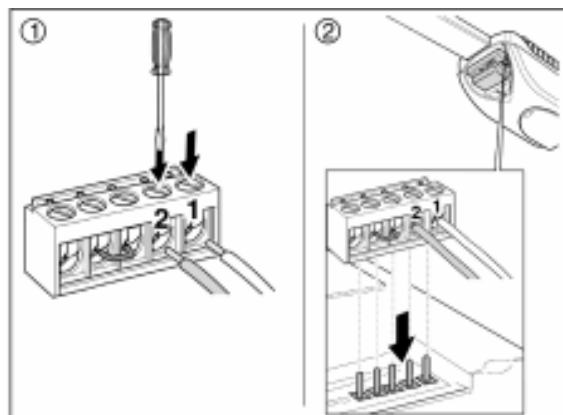
Dacă utilizați mai multe accesorii de siguranță, acestea trebuie conectate în serie.

Tasta interioară, tasta pentru cod, tasta pentru cheie



Amplasarea tastei:

- în câmpul vizual al porții,
- la loc ferit de componentele aflate în mișcare,
- tasta interioara se va amplasa la o înălțime de min. 1,5 m.
- Deșurubați șuruburile bornelor 1 și 2 (utilizați o șurubelniță mică).



- Introduceți firele de alimentare în borne și strângeți-le bine (1).
- Montați regleta la loc (2).
- Introduceți fișa în priză, verificați funcționarea sistemului.



Informație importantă:

Dacă utilizați mai multe taste, acestea trebuie conectate în paralel.

Becul de avertizare

Becul clipește în timp ce poarta se află în mișcare.

- Conectați becul de avertizare la bornele 4 și 5.

Priza de 24 V

Priza de 24 V servește la alimentarea barierei optice sau a barei pentru contactul de protecție. Efectuați conexiunile la bornele 1 și 4.

Instrucțiuni de utilizare

Deschiderea, închiderea sau oprirea porții garajului



Pericol de accidentare

Deschideți și închideți poarta numai dacă în raza de acțiune nu se află persoane sau obiecte.

În cazul unei pane de curent sau a unei defecțiuni a angrenajului deschideți poarta numai cu ajutorul descuietorii de avarie interioare sau a celei exterioare. Dacă poarta se poate deschide numai forțat după ce ați acționat descuietora de avarie, solicitați intervenția unei persoane calificate.

Depozitați telecomanda în mașină astfel încât să nu poată provoca daune în timpul mersului, de ex, când frânați.



Important!

Nu expuneți telecomanda unor temperaturi înalte (de ex. în bătaia directă a soarelui în mașină).

- Îndreptați telecomanda spre poartă și apăsați tasta timp 1–2 secunde sau
- Apăsați pe tasta de comandă (tasta cheie).
 - Becul angrenajului arde timp de cca.60 secunde după ce poarta s-a deschis sau închis.



Ordinea de derulare la apăsarea repetată a tastei telecomenzii sau tastei cheii:

deschis – oprit – închis – oprit – deschis – oprit – închis – oprit etc.

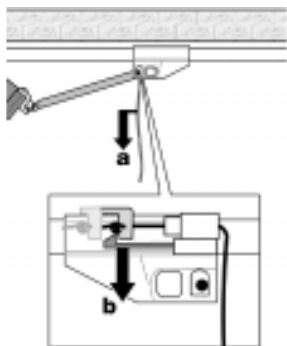
Descuietora de avarie interioară

În caz de avarie sau în cazul unei pane de curent poarta garajului poate fi decuplată de la angrenaj și deschisă (manual) din interior.



Pericol de accidentare

În timpul decuplării se poate întâmpla ca poarta să cadă deoarece arcurile sunt slăbite sau rupte sau poarta nu este bine echilibrată.



- Deblocați angrenajul porții; pentru aceasta trageți de cablul **a**.
 - Pârghia se înclichează și puteți deschide poarta manual.
- Pregătiți angrenajul porții pentru cuplare; pentru aceasta trageți de pârghia de plastic **b** în jos.
- Apoi trageți cu mâna poarta în poziția inițială.
 - În momentul cuplării se aude clar un “clic”.

Înlocuirea bateriei telecomenzii



Atenție!

Înlocuirea necorespunzătoare a bateriei prezintă pericol. Înlocuiți bateria numai cu una de același tip. Utilizați baterii care nu se scurg.

Periclitarea mediului înconjurător cu baterii uzate!

Nu aruncați bateriile uzate la resturi menajere. Predați-le la centre de colectare. Respectați instrucțiunile producătorului bateriilor.

- Înlocuiți bateria uzată cu una nouă.
 - tipul bateriei: L1028/12 V



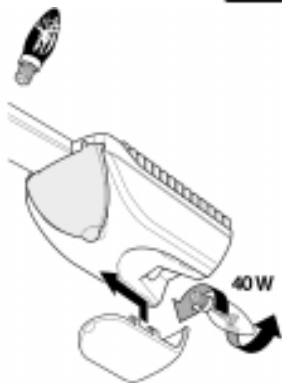
Înlocuirea becului



Pericol de electrocutare!

Înainte de a înlocui becul, trageți fișa din priză.

- Demontați capacul lămpii angrenajului.
- Înlocuiți becul ars cu unul nou (max. 40 W, soclu E14).
- Montați capacul la loc.
- Introduceți fișa în priză.



Verificări periodice



Atenție!

În timpul efectuării de reparații sau reglaje la sistemul mecanic al porții nu porniți angrenajul deoarece defecțiuni în sistem sau o poartă încorect echilibrată pot provoca accidente.

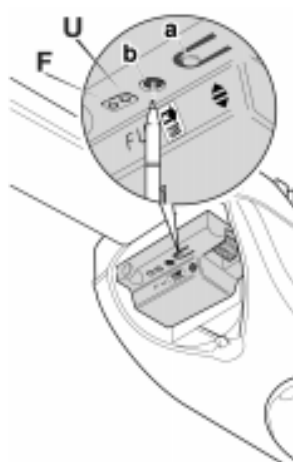
- Lunar se vor efectua următoarele verificări:
 - recunoașterea obstacolelor (vezi capitolul „Luarea în exploatare”).
 - Funcționalitatea tuturor accesoriilor suplimentare (în special dispozitivele de protecție).
- Se verifică funcționarea corectă a sistemului mecanic al întregii instalații (poarta și angrenajul) (controlați în mod special gradul de uzură, eventuala deteriorare a arcurilor și armăturilor) precum și a instalației electrice.

Ce se întâmplă în cazul unei întreruperi a alimentării electrice?

- După restabilirea alimentării electrice, becul angrenajului se aprinde timp de 1 secundă.
- La următorul impuls de comandă poarta se deplasează până la limitatorul de cursă superior și apoi revine la poziția limită superioară (punctul de referință) pe care ați reglat-o.
- Dacă după aceea becul angrenajului nu se mai stinge, trebuie să efectuați procedura de luare în exploatare.

Defecțiuni pe care le puteți remedia dumneavoastră

Defecțiunea	Cauza posibilă	Remedierea defecțiunii
Defecțiune optică: Becul nu se stinge după introducerea fișei în priză și/sau în timpul luării în exploatare	Reglajul pozițiilor limită și/sau luarea în exploatare nu sunt încheiate.	Resetați fișa: scoateți fișa din priză și introduceți-o la loc. Efectuați reglajul pentru pozițiile limită și proba de funcționare conform instrucțiunilor de utilizare.
Becul angrenajului clipește în mod regulat (cu ritmul de 1 secundă).	A fost depistat un obstacol (de ex. prin sistemul de recunoaștere a obstacolelor sau prin declanșarea unui sistem de siguranță cum ar fi bariera optică, contactul de protecție din ușa porții).	Îndepărtați obstacolul, închideți/deschideți poarta garajului.
Becul angrenajului clipește în mod neregulat (3 secunde stins / 1 secundă aprins).	Sistemul de control al componentelor electronice a depistat o defecțiune în sistemul electronic.	Resetare: apăsați concomitent timp de 5 secunde tasta de comandă a și tasta de programare b . (Becul angrenajului clipește). Resetarea se confirmă prin ardere continuă a becului. Reglați din nou pozițiile limită și efectuați proba de funcționare. În acest caz sincronizarea telecomenzilor nu se anulează. În cazul că becul clipește din nou în timpul programării pozițiilor limită, solicitați sprijinul Service-ului.
Becul angrenajului nu se aprinde.	Becul este ars.	Înlocuiți becul.
Angrenajul porții garajului nu funcționează când acționați telecomanda.	Bateria telecomenzii s-a descărcat sau este montată fals.	Verificați bateria; dacă este cazul, înlocuiți-o.
	Codul receptorului nu a fost sincronizat.	Sincronizați telecomanda.
	Reglajul pozițiilor limită, proba de funcționare nu sunt încheiate	Reglați pozițiile limită, efectuați proba de funcționare și încheiați procedura. După aceea sincronizați telecomanda.
Angrenajul porții garajului nu deschide/închide poarta complet.	Sistemul mecanic al porții este deteriorat.	Verificați sistemul mecanic al porții. Solicitați repararea de către persoane calificate.
	Circumstanțe externe nefavorabile (de ex. ploaie puternică) au majorat greutatea porții. Angrenajul interpretează aceasta ca prezența unui obstacol.	Reglați din nou pozițiile limită și efectuați proba de funcționare. În acest caz sincronizarea telecomenzilor nu se anulează. Dacă defecțiunea persistă, solicitați intervenția Service-ului.
	Lipsește tensiunea de alimentare (fotodioda U nu este aprinsă).	Controlul tensiunii la priză se va efectua de către persoane calificate.



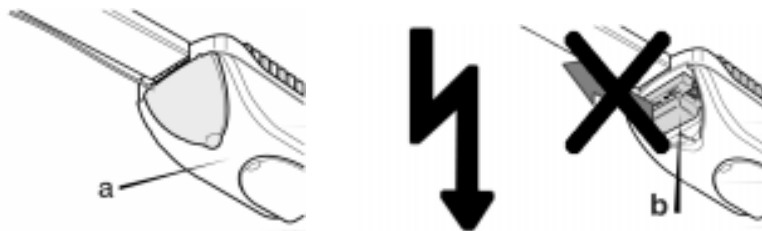
Service-ul

Repararea de defecțiuni în circuitul de 230 V este permisă numai persoanelor calificate sau a unei unități autozitate. În cazul apariției repetate a unei defecțiuni sau a altor perturbări în buna funcționare a sistemului vă rugăm să vă adresați celei mai apropiate unități de reparații autorizate.



Atenție!

Demontarea capotei (a) este permisă conform VDE 0100 numai de către persoane calificate (pericol de electrocutare). În caz contrar pierdeți garanția.



Pericol de electrocutare!

Efectuarea de reparații la sistemul electronic de comandă (b) este permisă numai dacă sistemul este scos de sub tensiune!

Nu trageți sistemul electronic afară!

Accesorii

Accesoriile pot fi procurate din comerțul de specialitate. Informații suplimentare puteți obține de la reprezentanții pentru sisteme de antrenare a porților de garaj SOMFY.

Accesorii suplimentare de protecție

	Nr. de comandă SOMFY	Observații
Descuetoare de avarie exterioară - pentru porți basculante cu șine superioare, porți lamelare culisante, porți basculante cu șine suuperioare și laterale dotate cu mâner - pentru toate tipurile uzuale de porți cu sau fără mâner (broască de avarie)	9 000 018 9 000 032	Dacă garajul nu dispune de o a doua posibilitate de acces, trebuie neapărat să montați o descuetoare de avarie exterioară. Cu aceasta puteți deschide garajul (manual) de la exterior de ex. în cazul unei pane de curent sau a unei defecțiuni.
Contact de protecție din ușa porții	9 000 007	Dacă ușa de trecere (ușa din poartă) este deschisă, împiedică mișcarea porții de către angrenaj.
Zăvor de podea	9 000 003*	
Set de zăvorâre fără clichet	9 000 019*	
Zăvorâre laterală	9 000 004*	
Barieră optică	9 000 025	În cazul obturării razei optice, poarta se oprește pe loc. În cazul obturării în timpul închiderii, poarta se deschide.
Bec de avertizare	9 000 030	

* necesită un braț de ghidare suplimentar (nr. de comandă 9 000 002)

Accesorii pentru confort sporit

	Nr. de comandă SOMFY	Observații
Taster cu broască pe/sub tencuială	9 000 021	
Taster interior	9 000 008	
Taster cu cod	9 000 028	
Telecomandă cu 2 canale, gri deschis	1 800 037	433,42 MHz
Telecomandă cu 4 canale, FUN	1 800 035	433,42 MHz
Telecomandă cu 4 canale, gri închis	1 800 029	433,42 MHz

Accesorii pentru situații de montare speciale

	Nr. de comandă SOMFY	Observații
Suport de tavan (colțar)	9 000 034	Pentru coborârea nivelului cu pâna la max. 270 mm.
Șină de montare pentru atârnarea angrenajului	9 000 001	Lungimea totală 1 m, coborârea nivelului până la 400 mm.
Suport de tavan (telescopic)	9 000 042	Pentru coborârea nivelului cu pâna la max. 1500 mm.
Bară prelungitoare	9 000 006 *	Se utilizează dacă grinda este lată (pâna la max. 400 mm), dacă brațul de ghidaj se proptește de grindă.
Armături pentru porți cu canaturi	9 000 005 *	Se utilizează dacă distanța dintre cantul superior al porții și tavan este prea redusă și angrenajul trebuie mutat în spate de tot (până la max. 2,5 m).
Armături porților cu canaturi	9 000 009	Lățimea maximă a unui canat 1,5 m, instrucțiuni suplimentare vezi "Domenii de utilizare".
Armături pentru porți lamelare	9 000 016	Pentru porți cu segmente cu înălțimea de 300-500 mm.
Bară de fixare	9 000 040	Pentru armarea segmentului superior la porțile lamelare.
Bară de ghidaj curbată	9 000 023	Pentru porți lamelare, dacă nu se utilizează șina de fixare și cea de ghidare de pe segmentul porții.
Braț de cursă	9 000 015	Pentru porți basculante cu șine de ghidare verticale.
Set de prelungire a șinelor	9 000 031	Prelungire maximă cu 700 mm.

* necesită un braț de ghidare suplimentar (nr. de comandă 9 000 002)

Declarația producătorului



(vezi pagina 230)

Producătorul SOMFY GmbH, Felix-Wankel-Straße 50, D-72108 Rottenburg a. N., declară prin prezenta:

Sistemele de antrenare a porților tip KEASY L+, KEASY XL+ corespund directivei pentru construcții de mașini 99/5/EG, 98/37/EG conform DIN EN 12453:2001, DIN EN 60335-1:1995, E DIN EN 60335-2-95:2001.

Atenție:

Luarea în exploatare a unei porți în care urmează să fie instalat un sistem de antrenare descris în aceste instrucțiuni, este interzisă înainte de a se fi constatat dacă poarta corespunde directivei 98/37/EG.

Rottenburg, la 16.02.2004

Șeful centrului de design
Dieter Thomas Semnătura cu împuternicire

Vsebina

Vsebina	140
Simboli, ki so rabljeni v tem navodilu	141
Nasveti za odlaganje	141
Za vašo varnost	142
Uporaba v skladu z določili	142
Važna varnostna navodila	142
Opozorilo uporabnikom srčnega spodbujevalnika	142
Varnostne naprave	142
Priprava za vgraditev	143
Na pogled	143
Tehnični podatki	143
Uporabnost	144
Maksimalna masa garažnih vrat	144
Stabilna (z vratnico) in stropna trdnost garaže	144
Obstoječa mehanika vrat	144
Omrežni priključek	144
Dodatne varnostne naprave	145
Navodilo za montažo	145
Pomembni nasveti za varno montažo	145
Preverite vsebino pakiranja	145
Situacije vgraditve – primeri	146
Pred-montaža pogona garažnih vrat	146
Montaža	146
Navodilo za postavitvev	147
Spravljanje v obratovanje	147
Postavitvev / sprememba mejnih položajev vrat	148
Programiranje daljinskega upravljalca	149
Preverba prepoznavanja motenj	150
Priključitev pribora	150
Priprava	150
Svetlobna meja, kontakt drsnika vrat, letvica varnostnega kontakta	151
Notranjo tipko, kodno tipko, tipko za ključ	151
Opozorilna luč	152
Izhod 24 V	152
Navodilo za uporabo	152
Odpiranje, zapiranje in ustavljanje garažnih vrat	152
Notranje odklepanje v sili	152
Zamenjava baterij v daljinskem upravljalcu	153
Zamenjava žarnice	153
Redno preverite	153
Kaj se dogaja pri prekinitvi dovoda električne energije?	153
Pomoč pri funkcijskih motnjah	154
Kako lahko sami odpravite motnje	154
Uporabniška služba	155
Pribor	155
Pribor za dodatno varnost	155
Pribor za večjo ugodnost uporabe	156
Pribor za posebne pogoje vgraditve	156
Pojasnilo proizvajalca	156

Simboli, ki so rabljeni v tem navodilu



Pozor! Važno opozorilo o varnosti.

Zaradi osebne življenske varnosti je pomembno upoštevanje teh navodil.



Previdnost! Opozorilo o varnosti.

Če jih ne upoštevate, obstaja možnost poškodb ali materialne škode.



Opozorilo:

Navaja uporabne tipe in pomembna sporočila.



Nevarnost električnega udara!

Preden karkoli delate, izvlecite električni vtič.



Lahko uporabljate samo v suhih prostorih.



Odprite sprednje razklopne strani.



Odprite zadnje razklopne strani.



Podaja ob ustreznem navodilu številko ustrezne slike na razklopnih straneh.

- Pika pomeni navodilo za ravnanje!
 - Črtica je napotek k točkam, ki jih morate posebno upoštevati.

Nasveti za odlaganje



Na česa morate biti posebno pozorni, če imate namen zamenjati obstoječi vratni pogon:

- stare naprave niso nekoristen odpad. S primernim odlaganjem, lahko ponovno pridobimo vredne surovine.

Zaradi zaščite vašega novega vratnega pogona, pred rjo pri transportu in skladiščenju, so nekateri njegovi deli premazani z oljem. Poskrbite po montaži za ambalažo ki je unesnažena z oljem in krpe na okolju prijazen način.

Uporabljeni materiali za pakiranje so okolju prijazni in se jih da ponovno uporabiti. Ambalažo odstranite v skladu s predpisi o zaščiti okolice.

Baterije daljinskega upravljalca ne sodijo v hišne smeti.

O primernih načinih odstranjevanja se pozanimajte pri vašem prodajalcu ali na občinski upravi.

Za vašo varnost

Uporaba v skladu z določili

Pogon je primeren za vrata, ki so izdelana po normi EN 12604, oziroma EN 13241, upoštevajoč pogonsko moč in navodila za uporabo.

Pogon garažnih vrat uporabljajte izključno:



- za samodejno odpiranje in zapiranje garažnih vrat.
- v suhih prostorih.
- za osebno uporabo.
- skladno opisom in varnostnim navodilom, ki so podani v tem navodilu za uporabo.

Katerakoli druga uporaba ni v skladu z določili.

Važna varnostna navodila



Pozor!

Zaradi osebne življenjske varnosti, upoštevajte vsa naslednja navodila:

- Shranite ta navodila in jih pri spremembi lastnika posredujte novemu lastniku. Skrbno preberite to navodilo pred montažo in obrnite posebno pozornost na varnostne nasvete.
- Opravite delovne korake v opisanem zaporedju in proučite, kako se naprava uporablja.
- Uporabite izključno priloženi, oziroma priporočeni material za pritrditev, originalne nadomestne dele in pribor.
- Ko garažna vrata spravite v pogon je nujno da uporabniki naučijo njihovega delovanja in uporabljanje.
- Na robnih zapiracih in mehaniki pogona garažnih vrat odstaja nevarnost od poškodb. Odpirajte in zapirajte garažna vrata samo, če ugotovite območje njihovega celotnega gibanja ter, da se v tem ne nahaja nobena oseba.
- Shranite daljinski upravljalca tako, da je izključena možnost naključnega vklopa (npr. otroci, ki se igrajo).
- Pogon vrat montirajte izključno na pravilno postavljena in uravnovešena garažna vrata. Nepravilno postavljena vrata, lahko povzročijo poškodbe.
- Preden začnete delati na vratih ali njihovem pogonu, izvlcite omrežni vtič iz vtičnice.
- Poškodovano priključno vrstico takoj zamenjajte (to lahko opravi samo električar).
- Nikoli ne sezajte proti vratom ali njenim delom, ki so v pogonu.



Opozorilo uporabnikom srčnega spodbujevalnika

Moč oddajnika daljinskega upravljalca je v mejah ustreznih norm in je principialno nesporna. Da bi odklonili morebitne rizike, za vsak primer, priporočamo, da ne vključujete daljinskega upravljalca v neposrednu blizini telesa. Zaradi vaše varnosti, držite daljinski upravljalca v iztegnjeni roki, usmerjen proti garažnim vratom.

Varnostne naprave



Varnostne naprave ščitijo pred poškodbami in gmotnimi škodami.

Nikoli ne smete namenoma izklopiti varnostnih naprav.

Samodejno prepoznavanje motenj

Če se pojavi zapreka pri odpiranju vrat, se premikanje vrat prekine.

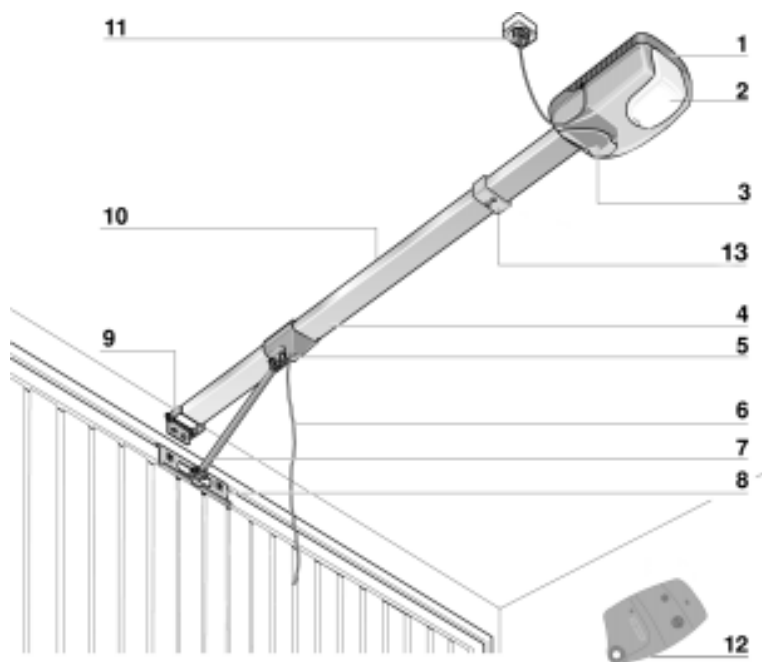
Če se pojavi zapreka pri zapiranju vrat, se bodo vrata ustavila in nato dvignila do zgornjega mehanskega mejnika (referenčne točke) in nato nazaj do programiranega zgornjega končnega položaja.

- Preverite njihovo funkcijo najmanj enkrat mesečno (glej poglavje «Spravljanje v pogon»).

Priporočamo vgraditev dodatnih varnostnih naprav (glej «Pribor»).

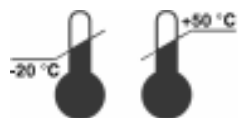
Priprava za vgraditev

Na pogled



- | | |
|-------------------------------|---------------------------------------|
| 1. Pogonska glava | 8. Kotno-pritrilni list vrat |
| 2. Pogonska luč | 9. Kotno varovalo proti padcu / Strop |
| 3. Elektronika | 10. Veriga s kretnico (pokrita) |
| 4. Drsno vodilo | 11. Omrežni vtič |
| 5. Drsni voziček | 12. Daljinski upravljalnik |
| 6. Notranje odklepanje v sili | 13. Mehanski mejnik |
| 7. Vodilo (vodilna ročica) | |

Tehnični podatki



	KEASY L [⊕]	KEASY XL [⊕]
Teža	~15 kg	~15 kg
Jakost pritiska- /vlečenja	do 500 N nestopnjevito ¹⁾	do 700 N nestopnjevito ¹⁾
Mehko premikanje /ustavitve	da, nestopnjevito	da, nestopnjevito
Temperaturno območje	-20 °C.....+50 °C	-20 °C.....+50 °C
Razsežnosti		
Vgradna dolžina	3,30 m	3,30 m
Širina zamaha	2,50 m ²⁾	2,50 m ²⁾
Elektrika		
Napajanje	230 V/50 Hz~	230 V/50 Hz~
Max. sprejeta moč	300 W	300 W
Poraba v pripravnem položaju (stand-by)	< 4 W	< 4 W
Vrsta zaščite	IP 20	IP 20
Vrsta pogona	S2 Kratko-časovni pogon	S2 Kratko-časovni pogon
Luč	max. 40 W/E14	max. 40 W/E14
Signalna frekvenca	UKW 433,42 MHz	UKW 433,42 MHz

CE 06810

- 1) samoučenje
2) 3,00 m s podaljško za palico

Uporabnost

KEASY L⁺ / KEASY XL⁺

Lahko jih uporabite za:

- Oscilacijska vrata
- Stropno-teleskopska (stropno-sekcijska) vrata (okovje za teleskopska vrata je na raspolago, glej «Pribor»)
- Krilna vrata (okovje za krilna vrata je na raspolago, glej «Pribor»)
Dodatno morate spremeniti hodno smer pogona. Za to potrebna pojasnila, boste dobili pri vašem prodajalcu, ali v najbližji uporabniški službi. (glejte tudi navodilo za uporabo okovja za krilna vrata)

KEASY XL⁺

Lahko jih uporabite za:

- Pregibna vrata (oscilacijska ročica je dosegljiva, glej «Pribor»).
- Bočno-teleskopska (bočno-sekcijska) vrata (okovje dosegljivo).

Maksimalna masa garažnih vrat

	KEASY L ⁺	KEASY XL ⁺
Površine		
lahka vrata, npr. pločevinasta vrata	do 7,5 m ²	do 12,0 m ²
težka vrata, npr. lesena vrata	do 6,0 m ²	do 7,5 m ²
Višine		
Stropno sekcijska vrata	do 2,3 m	do 2,3 m
Ostala vrata	do 2,3 m	do 2,3 m
s podaljševalnim podstavkom za palico (glej «Pribor»)	več kot 2,3 m do 3,0 m	več kot 2,3 m do 3,0 m

Stabilna (z vratnico) in stropna trdnost garaže

Najmanjša obremenitev vratnice in stropa:

- KEASY L⁺: 700 N
- KEASY XL⁺: 900 N



Pri vrtanju lukenj upoštevajte trdnost stropa (npr. betonski stropi gotovih garaž)!

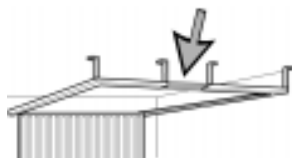
Priporočljiva globina izvrtine za dobavljene zidne vložke in vijake: **53 mm**

Dobava vsebuje standardne zidne vložke. Če je potrebno, uporabite posebne zidne vložke, primerne za podlago.

Obstoječa mehanika vrat

Ali lahko garažna vrata ročno, brez zatikanja odprete in zaprete? Če ne morete, pokličite strokovno osebje za garažna vrata, da pravilno nastavijo mehaniko vrat.

Če so drsna vodila garažnih vrat pritrjena s prečno spojko, se lahko zgodi, da se vodilo pogona garažnih vrat zatakne ob spojko. V takšnih primerih jih lahko ločimo in v delih odstranimo, glej primer na sliki. Da bi ponovno dosegli trdnost, preostale dele pritrdite na strop.



Omrežni priključek

Ali je ustrezna razdalja med pogonom vrat in omrežnim priključkom 230 V?

- Dolžina omrežne priključne vrvice: **okrog 1 m**

Če ni, mora električar opraviti priključitev na omrežje.



Dodatne varnostne naprave



Zunanje odklepanje v sili

Če ni drugega vhoda v garažo, mora obvezno biti postavljeno zunanje odklepanje v sili (glej «Pribor»). Tako bo omogočeno (ročno) odpiranje garažnih vrat od zunaj, npr. v primeru izpada električne energije ali drugih motenj.



Mehanski mejnik

Za spravljanje v pogon in prosto delovanje na odpravljanju kakršnekoli motnje, morajo garažna vrata biti obvezno omejena s trdnim mehanskim mejnikom (priložen je v dobavi).



Zaklepanje vrat

Pogon garažnih vrat je samozaviralen in drži vrata zaprta. Obstoječe ključavnice garažnih vrat je treba avtomatizirati (glej «Pribor»), odstraniti ali jih onesposobiti.

Navodilo za montažo

Pomembni nasveti za varno montažo



Pozor!

Neppravilna montaža lahko povzroči hude poškodbe. Upoštevajte vsa navodila za montažo! Dodatna pomoč še ene osebe bo olajšala montažo.



Previdno!

Pri vrtanju zaščitite oči z zaščitnimi očali. Zaradi zaščite pred prahom pokrijte pogonsko glavo preden začnete vrtati.



Preverite vsebino pakiranja

Da bi lahko opravili montažo brez prekinitev, pred začetkom montaže preverite vsebino pakiranja:

- ali imate vse dele,
- ali so deli v brezhibnem/ustreznem stanju.

Ne vgrajujte poškodovanih delov! Pokličite vašega prodajalca.



Opomba:

Gobasti deli **AA** se uporabljajo za pridušitev zvoka verige.



Pripravite vso potrebno orodje za montažo.

Situacije vgraditve – primeri

Kje montirati kotni nosilec proti padcu/strop in pogonsko glavo?

(Pri primeru oscilacijskih vrat)



3

Za najboljši prenos moči, bi pogon moral biti montiran čim bolj tesno čez najvišjo točko hoda vrat.

- Določite najvišjo točko hoda vrat **a** (**a** = najmanjša razdalja od lista vrat do garažnega stropa). Odvisno od ugotovljene mere, so različne vgradne možnosti.

4

1. Mera **a** od 38 mm do 140 mm

- garažni pogon montirajte na strop.
- montažni kotnik vratnic/strop pritrдите na vratnico ali strop (boljše na vratnico).
- pri montaži vratnice zadržite razdaljo od 15 mm.

5

2. Mera **a** večja od 140 mm

- montažni kotnik vratnic/strop montirajte na vratnico z razdaljo od 50 mm med spodnjim robom palice in najvišjo točko hoda vrat.
- pogon garažnih vrat obesite na strop (priporočamo luknjičasto palico, glej «Pribor»).

6

3. Mera **a** manjša od 38 mm

- montažni kotnik vratnica/strop in pogon garažnih vrat montirajte izza odprtih garažnih vrat na strop (priporočamo podaljševalno palico, glej «Pribor»). Obrnite pozornost na skupno dolžino.

Pred-montaža pogona garažnih vrat



7

- Spojne kose za palico **B** vtaknite v vodilno palico **A** do mejnika in spojite dele vodilne palice.
- Bele gobaste vložke proti šumom **AA** prepognite čez žleb.
- Zvočne dušilce vpnite v sredino 4 vodilne palice **A**.
- Poprej montirano vodilno palico vtaknite v pogonsko glavo **C**.

8

- Drсни voziček **D** potegnite na vodilno palico.
- Sprednje kretnice za verigo **E, F, G** spojite in vtaknite v drsni voziček.

9

- Zaradi lažjega odvijanja verige **J** lahko pokrov od pakiranja malih delov oddvojite in uporabite ga kot podlago.
- Odvečno olje na verigi, obrišite s krpo.

10

- Odvijte verigo na drsnem vodilu.
 - Obvezno vtaknite verigo v drsni voziček **D** na nosilni strani **I**. Razen tega drsni voziček ločite (kovinski vzvod mora biti vgozden v plastični vzvod).
- Nosilec **I** povežite z verigo **J** na obeh straneh s pomočjo spojke verige **H**.



11

- Da bi vložili verigo v kretnico **F** morate vzmet **E** močno stisniti. Za to uporabite kot pomožno sredstvo vodilo **M**.
 - Veriga mora biti pravilno vložena v svoje vodilo in ne sme biti uvita.

12

- Pritrdite vrstico za odklepanje v sili **O**.
- Postavite pokrovček **N**.

Montaža



13

- Kotno-pritrtilni list vrat **K** montirajte na okvir lista vrat.
 - Pritrdilne vijake postavite vodoravno ali navpično.

14

- Kotni nosilec **L**, odvisno od situacije vgraditve montirajte na strop ali vratnico (glej «Situacije za vgraditev / primeri»). Globina izvrtin lukenj je 5,3 cm.

15

- Snemite stropno zapornico.
- Spojite pogon garažnih vrat s kotnim nosilcem.
 - Narahlo privijte vijake. Vijak iam lahko nekaj prostora, ker ima matica samo-zavarovanje.

16

- Pritrdite pogonsko glavo na pokrov, globina izvrtin lukenj je 5,3 cm.
 - Obnrite pozornost na osrednji položaj pogonske glave glede na garažna vrata (primerjajte kotno pritrtilo **K** na garažnem listu)!

17

- Vodilo **M** spojite s kotnim pritrtilom garažnega lista (s pomočjo **Q**, **Y**) in drsnim vozičkom. Vijaki lahko imajo nekaj prostora, ker ima matica samo-zavarovanje.

Pri vratih brez trdnega mehanskega mejnika, montirajte kotni mejnik **Z** na naslednji način:

- Nastezaj odprite garažna vrata. Montažni položaj kotnega mejnika je pri na stezaj odprtih vratih točno izza drsnega vozička.
- Zaznamvajte izvrtine luken in jih izvrtajte, s premerom \varnothing 3,6 mm.
- Kotni mejnik montirajte s pomočjo pločevinastih vlečnih vijakov **ZZ**.

- Ročno preverite hod vrat. Da bi to opravili, mora drsni voziček biti sproščen.
- Garažna vrata na stezaj odprite in spet zaprite.

18

- Pri zaprtih garažnih vratih pripravite pogonsko glavo garažnih vrat za spajanje. Za to morate pritisniti plastični vzvod navzdol. Sprostitev bo opravljena, ko bo kovinski vzvod vgozden. Na koncu ročno nastavite garažna vrata v položaj «Vrata – postavitev», tako bo drsni voziček spojen z nosilcem.

Navodilo za postavitvev

Spravljanje v obratovanje



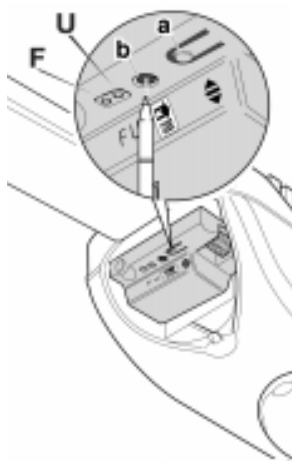
Nevarnost poškodb!

Pri postavitvi vrat in spravljanju v pogon se v polju zamaha garažnih vrat ne smejo nahajati osebe ali kakšni predmeti.



Opozorilo:

Trajna luč lahko precej segreje pokrov pogonske luči. Zaradi tega vklop v obratovanje opravite brez pokrova.



- Vtaknite vtič. Pogonska luč bo trajno svetila.
- Preverite, ali je nosilec na verigi v drsnem vozičku dobro vgozden. Garažnih vrat se ne bi smelo ročno premikati.

- F** Svetleča dioda, sveti pri sprejemu radijskega-signala
- U** Svetleča dioda, sveti pri navzoči omrežni napetosti
- a** Upravljalne tipke
- b** Programske tipke

Postavitev / sprememba mejnih položajev vrat

Postopek vedno vključuje postavitve zgornjega in spodnjega mejnega položaja, ter potek preveritev.

Zgornji mejni položaj je opisan kot položaj drsnega vozička pri popolnoma odprtih vratih.

Spodnji mejni položaj je opisan kot položaj drsnega vozička pri popolnoma zaprtih vratih.

Postopek nastavitve mora biti opravljen v vnaprej zadanem zaporedju in je končan, ko ugasne pogonska luč. Šele po tem lahko začnete rabiti daljinski upravljalnik.



Previdno!

Mora obstojati trden mejnik kot omejitev drsne poti vrat (zgornji mejni položaj), ker bo pogon pri postavitvi nadaljeval delati in pri tem lahko poškodoval mehaniko vrat.

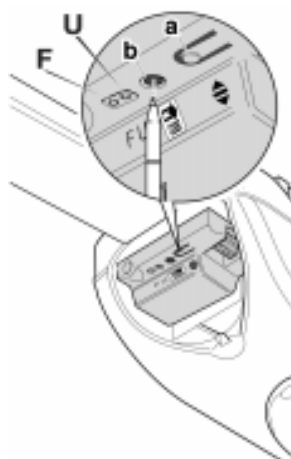


Nasvet:

Programske tipke je nujno samo nalahko pritisniti (npr. s kemijskim svinčnikom).

Če hočete prekiniti postopek postavitve, izvlecite omrežni vtič. Ko ste ponovno vtaknili omrežni vtič, morate ponoviti postopek postavitve od začetka.

Najmanjša razdalja med zgornjim in spodnjim mejnim položajem je 30 cm. Manjša razdalja ne more biti programirana.



1. Nastavitev zgornjega mejnega položaja

- Držite pritisnjeno programsko tipko **b** najmanj 2 sekundi (kemijski svinčnik), dokler ne ugasne pogonska luč.
 - Pogonska luč se ponovno prižge.
 - Če pogonska luč utripa, ste programsko tipko prekratak čas pritisnili. V tem primeru izvlecite omrežni vtič in ga ponovno vtaknite. Začnite postavitve mejnih položajev od začetka.
- Kratko pritisnite upravljalno tipko **a** (okrog 1 sekunde).
 - Pogon garažnih vrat se giblje v smeri «Vrata – odpiranje», vse do mehanskega mejnika in nato okrog 5 cm nazaj.
 - Reguliranje tega položaja je možno tako, da pritisnete upravljalno tipko **a** in jo držite pritisnjeno, dokler ne dosežete zaželenega položaja. Pri vsakem pritisku tipke se spremeni smer gibanja.
- Ko ste dosegli zaželeni položaj: Pritisnite programsko tipko **b**, dokler pogonska luč ne ugasne.
 - Pogonska luč se ponovno prižge.

Zgornji mejni položaj je shranjen.

2. Nastavitev spodnjega mejnega položaja

- Pritisnite upravljalno tipko **a** in jo držite pritisnjeno, dokler se garažna vrata popolnoma ne zaprejo (mehanski mejnik).
 - Spodnji mejni položaj lahko, če je potrebno, spremenite s pritiskom na tipko **a**, glej zgoraj.
 - Zaradi zaščite mehanike vrat nastavite spodnji mejni položaj tako, da bo onemogočen premočan pritisk vrat na mehanski mejnik.
- Pritiskajte programsko tipko **b**, dokler ne ugasne pogonska luč.
 - Pogonska luč se ponovno prižge.

Spodnji mejni položaj je shranjen.

3. Preizkusno delovanje (potek preveritve)

- Kratko pritisnite upravljalno tipko **a** in počakajte, da se garažna vrata popolnoma odprejo.
- Ponovno pritisnite upravljalno tipko **a** in počakajte, da se garažna vrata popolnoma zaprejo.
 - Pogonska luč ugasne.

Potek nastavitve je končan.

Če preverba ni uspešno končana, ponovite cel postopek od samega začetka.

Preverba je kompletna šele takrat, če z ničemer ni bila prekinjena. Med preverbo dela pogon garažnih vrat s polno močjo in se pri tem samodejno «uči», koliko moči potrebuje za odpiranje i zapiranje vrat. Pri vsakem naslednjem hodu, bo moč ponovno samodejno ocenjena (to je pomembno npr. pozimi, ko se garažna vrata težje odpirajo in zapirajo).

Programiranje daljinskega upravljalca

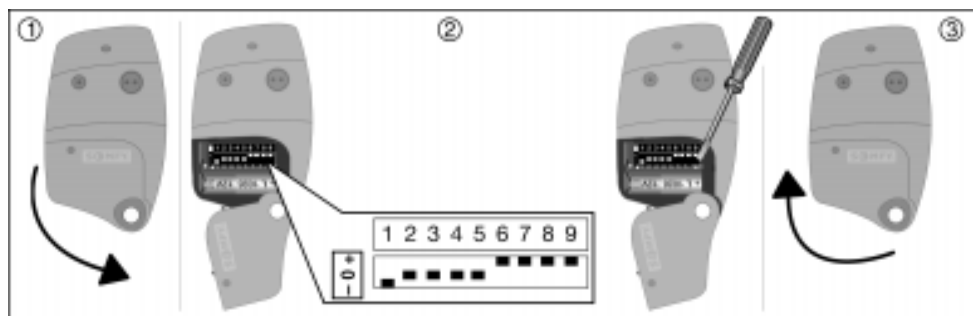
1. Nastavitev varnostne kode



Nasveti za Somfy varnostni sistem:

Zaradi varnostnih razlogov mora najmanj eno stikalo biti v položaju + ali 0, da bi lahko programirali daljinski upravljalca za delo. Zaradi tega ne velja varnostna koda «- - - - -».

Kodirajte Vaš daljinski upravljalca s svojo osebno varnostno kodo. Da bi to napravili:

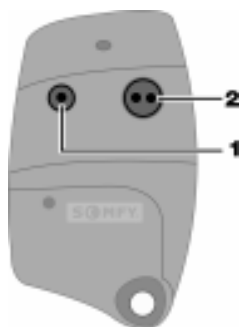


- Snemite pokrov daljinskega upravljalca (1).
- Željeno kodo nastavite z npr. odvijačem (2).
 - Nastavite kakršnokoli izbrano številko stikala med 1 in 9 na +/- ali 0.
- Zaprite pokrov daljinskega upravljalca (3).

Sedaj lahko programirate Vaš daljinski upravljalca.

2. Programiranje daljinskega upravljalca za delo

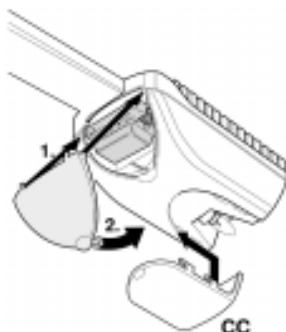
Preden začnete s programiranjem daljinskega upravljalca postavite eno od dveh tipk daljinskega upravljalca **1** ali **2** kot upravljalško tipko. Samo s pomočjo te tipke boste lahko rabili pogon garažnih vrat. Ta tipka bo v nadaljevanju imenovana «tipka 1».



- Kratko pritisnite programsko tipko **b** na pogonu vrat (okrog 1 sekunde).
 - Utripa pogonska luč.
 - Če pogonska luč sveti nenehanato to pomeni, da ste programsko tipko predolgo držali pritisnjeno. V tem primeru izvlecite omrežni vtič in ga ponovno vtaknite. Ponovite «programiranje daljinskega upravljalca».
- Željeno tipko 1 na daljinskem upravljalcu držite pritisnjeno najmanj 2 sekundi, dokler ne ugasne pogonska luč in nato ponovno začne utripati.
- Ponovno držite pritisnjeno isto tipko na daljinskem upravljalcu okrog 2 sekundi, dokler pogonska luč ne ugasne in nato se enkrat nakratko prižge.

Daljinski upravljalca je programiran za delo.

- Po končanem postopku programiranja vrnite pokrov elektronike in pogonske luči **CC**.



3. Dodatni daljinski upravljalci

Ko ste programirali eden, lahko dodatne daljinske upravljalce uporabljate brez programiranja pod naslednjimi pogoji:

- Nastavljena je ista varnostna koda.
- Uporabljate isto upravljalško tipko (tipka 1).

4. Brisanje programirane vsebine na daljinskih upravljalcih

Programirano na daljinskih upravljalcih bo izbrisano, če vnesete nove vrednosti.

To boste dosegli, če:

- programirate novo upravljalno tipko daljinskega upravljalca, ali
- programirate daljinski upravljalca za delo z novo varnostno kodo (glej «nastavitev varnostne kode»).



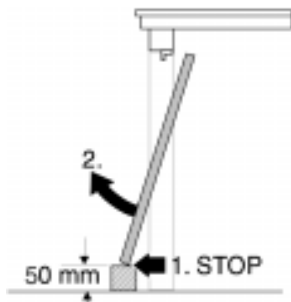
Opomba:

Brisanje daljinskega upravljalca pomeni brisanje vseh daljinskih upravljalcev, ki so bili programirani z isto varnostno kodo, oziroma z isto upravljalno tipko.

Preverba prepoznavanja motenj

Pri spravljanju v obratovanje in nato najmanj enkrat mesečno:

- Postavite primeren predmet z visino najmanj 50 mm (npr. poleno) v prostor premikanja garažnih vrat (zapiranje vrat).
- Zaženite pogon garažnih vrat.
 - Pri dotiku s kakršnimkoli predmetom, se garažna vrata ustavijo, vrnejo se do zgornjega mehanskega mejnika in nato nazaj do programiranega zgornjega mejnega položaja.
 - Pogonska luč utripa v taktu 1 sekunde.
- Po ponovnem vklopu pogona garažnih vrat se utripanje ustavi.
 - V nasprotnem prosimo, da pokličete uporabniško službo.



Priključitev pribora

Priprava



Nevarnost električnega udarca

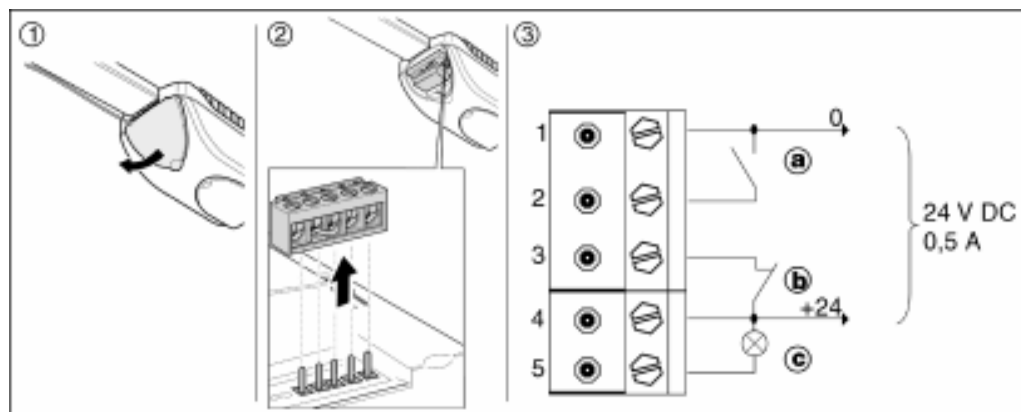
Pred priklopom pribora izvalcite omrežni vtič iz vtičnice.



Previdno!

Po navodilih lahko priključite samo originalen pribor. Potencialno prosti kontakti – ne postavljajte tuje napetosti!

- Snemite pokrov elektronike (1).



- Da bi lahko priključili priključne vode snemite priključno letvico (2).

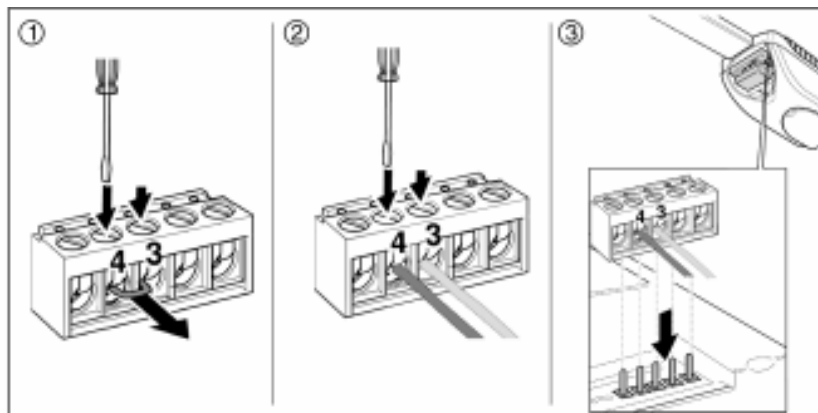
Razporeditev priključkov (3):

- **a** Priključek – tipka
- **b** Priključek – svetlobna meja
- **c** Priključek – opozorilna luč



Pozor!

Varnostni pribor lahko priključi samo strokovna služba.



- Priključke 3 in 4 odprite (mali odvijač) (1).
Odstranite žični mostiček.
- Priključne vode vtaknite v 3 in 4 in jih močno privijte (2).
- Ponovno vtaknite priključno letvico (3).
- Vtaknite omrežni vtič in preveriti funkcijo.



Nasvet:

Če uporabljate več varnostnih kod, le-te morajo biti redno vklopljene.

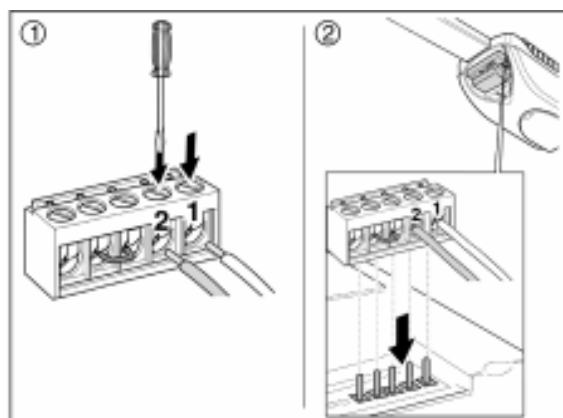
Notranjo tipko, kodno tipko, tipko za ključ



Nastavitev tipk:

- v vidnem območju do garažnih vrat,
- oddaljeno od premičnih predmetov,
- notranjo tipko postavite na višino od najmanj 1,5 m.

- Odvijte priključke 1 in 2 (mali odvijač).



- Vtaknite priključne vode, močno jih privijte (1).
- Ponovno vtaknite priključno letvico (2).
- Vtaknite omrežni vtič, preveriti funkcijo.



Nasvet:

Če uporabljate več tipk, le-te morajo biti vzporedno vklopljene.

Opozorilna luč

Opozorilna luč utripa med premikanjem vrat.

- Opozorilno luč priključite na izhod priključkov 4 in 5.

Izhod 24 V

Izhod 24 V se uporablja za napajanje svetlobne meje ali letvice varnostnega kontakta. Priključite na priključka 1 in 4.

Navodilo za uporabo

Odpiranje, zapiranje in ustavljanje garažnih vrat



Nevarnost poškodb

Odpirajte in zapirajte garažna vrata samo, če se v območju hoda vrat nenahaja niti ena oseba in noben predmet.

Pri prekinitvi napajanja z električno napetostjo, ali motnjah na pogonu, odpirajte garažna vrata izključno s pomočjo notranjega ali zunanjega odklepanja v sili. Če vrata zahtevajo po aktiviranju odklepanja v sili povečano moč, da bi se lahko odprla, obvezno pokličite strokovno osebje za garažna vrata.

Daljinski upravljalca shranite v vozilu tako, da med vožnjo, npr. pri zaviranju ne more povzročiti nobenih škodb.



Previdno!

Ne izpostavljajte daljinskega upravljalca visokim temperaturam (npr. neposrednim sončnim žarkom v vozilu).

- Usmerite daljinski upravljalca proti garažnim vratom in 1–2 sekunde držite pritisnjeno tipko ali
- Aktivirajte tipkalo (npr. tipkalo za ključ).
 - Pogonska luč sveti še 60 sekund po odpiranju.



Potek pri večkratnem aktiviranju daljinskega upravljalca ali tipk:

Odpiranje – ustavljanje – zapiranje – ustavljanje – odpiranje – ustavljanje – zapiranje – ustavljanje itd.

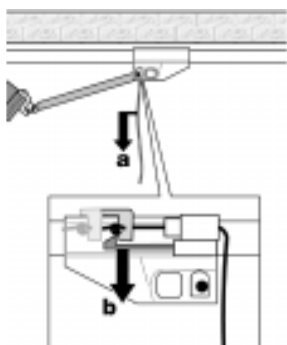
Notranje odklepanje v sili

V primeru sile ali če zmanjka električne energije, lahko garažna vrata izklopite iz pogona in od znotraj (ročno) odprete.



Nevarnost poškodb

Garažna vrata pri odklepanju lahko padejo, če so vzmeti slabe ali pokvarjene ali če so vrata nezadostno uravnovešena.



- Odklenite pogon garažnih vrat tako da potegnete vrvico **a**.
 - vzvod se vtakne in garažna vrata se lahko ročno odprejo.
- Pripravite pogon garažnih vrat za spajanje, zato pritisnite plastični vzvod **b** navzdol.
- Na koncu postavite garažna vrata ročno v položaj za izhod.
 - pri spajanju se mora slišati jasno «klik».

Zamenjava baterij v daljinskem upravljalcu



Previdno!

Nevarnost pri nepravilni zamenjavi baterij. Zamenjajte baterije samo z istim tipom baterij. Uporabljajte baterije, ki ne iztekajo.

Nevarnost za okolje zaradi izrabljenih baterij!

Ne mečite izrabljenih baterij v hišne smeti. Poskrbite, da jih boste odložili okolju prijazno. Upoštevajte navodila proizvajalca.



- Izrabljene baterije zamenjajte z novimi.
- tip baterije: L1028/12 V

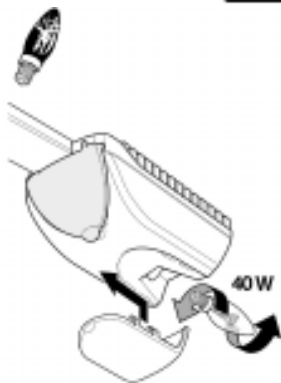
Zamenjava žarnice



Nevarnost električnega udara!

Pred zamenjavo žarnice iztaknite omrežni vtič.

- Snemite pokrov pogonske luči.
- Zamenjajte staro žarnico z novo (max. 40 W, navoj E14).
- Postavite pokrov in ga pritrdite.
- Vtaknite omrežni vtič.



Redno preverite



Pozor!

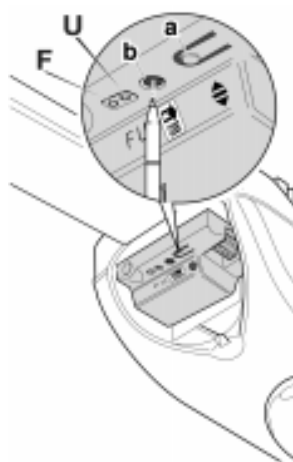
Med popraviljem ali postavitvijo mehanike vrat ne smete rabiti naprave, ker napaka na napravi ali napačno uravnovešena vrata, lahko povzročijo poškodbe.

- Enkrat mesečno preverite naslednje funkcije:
 - prepoznavo zaprek (glej poglavje «Spravljanje v pogon»)
 - funkcijo vseh dodatno vgrajenih delov pribora (posebno varnostne naprave)
- Preverite pravilnost mehanskega delovanja kompletne naprave (vrata in pogon), izrabljenost, posebno poškodbe vzmeti in pritrdilnih delov, enako tudi električno napeljavo.

Kaj se dogaja pri prekinitvi dovoda električne energije?

- Pogonska luč sveti po ponovni vzpostavitvi napajanja z električno energijo 1 sekundo.
- Pri naslednji uporabi, se garažna vrata premaknejo do zgornjega mehanskega mejnika (oziroma točke) in se nato vrnejo nazaj do zgornjega mejnega položaja.
- Če bo po tem pogonska luč trajno svetila, ponovite postopek spravljanja v pogon.

Kako lahko sami odpravite motnje



Motnja	Možni vzroki	Pomoč
Optični pokazatelj: Trajna luč po vklopu omrežnega vtiča in/ali med spravljanjem v pogon.	Ni končana postavitve mejnih položajev in/ali poizkusno delovanje.	Reset omrežnega vtiča: izvlecite omrežni vtič in ga ponovno vtaknite. Nastavite mejni položaj in opravite poizkusno delovanje v skladu z navodilom za uporabo.
Pogonska luč enakomerno utripa (takt 1 sekunda).	Pojavil se je «primer zapreka» (npr. zaradi prepoznave zapreke ali premikanja varnostne naprave, kot so svetlobna meja, kontakt drsnika vrat).	Odstranite zapreko, odprite / zaprite garažna vrata.
Pogonska luč neenakomerno utripa (tri sekunde ugasnjena, eno sekundo prižgana).	Pri nadzoru elektronskih vgradnih delov, je elektronika prepoznala nepravilnost.	Reset: Držite istočasno pritisnjeni programski tipki a in b v trajanju 5 sekund. (utripa pogonska luč). Potrdilo reset-a z nenahano lučjo. Ponovno postavite mejne položaje in opravite poizkusno delovanje vrat. Pri tem ne bo izbrisano tisto, kar ste programirali v daljinskih upravljalcih. V primeru, da začne pogonska luč ponovno nepravilno utripati med programiranjem mejnih položajev prosimo, da pokličete uporabniško službo.
Pogonska luč ne sveti.	Pregorela je žarnica.	Zamenjajte.
Pogon garažnih vrat pri komandi z daljinskim upravljalcem ne dela.	Baterije daljinskega upravljalca so izrabljene ali napačno vložene.	Preverite baterije, če je potrebno jih zamenjajte.
	Ni vnesena koda v sprejemnik.	Prijavite daljinski upravljaletc.
	Postavitve mejnih položajev, potek preverbe ni končan.	Opravite do konca nastavitve mejnih položajev in poizkusno delovanje. Nato prijavite daljinski upravljaletc.
Pogon garažnih vrat ne odpira/ne zapira vrat do konca.	Poškodbe na mehaniki vrat.	Preverite mehaniko vrat. Popravek mora opraviti strokovna služba za garažna vrata.
	Slabi zunanji pogoji (npr. močan dež) so povečali težo vrat. Pogon garažnih vrat je prepoznal situacijo kot zapreko.	Ponovno nastavite mejne položaje in opravite poizkusno delovanje. Vse kar je programirano v daljinskih upravljalcih ne bo med tem izbrisano. Če motnja še vedno traja pokličite uporabniško službo.
	Ni omrežne napetosti (svetlobna dioda U ne sveti).	Pokličite električarja, da preveri omrežno napetost v vtičnici.

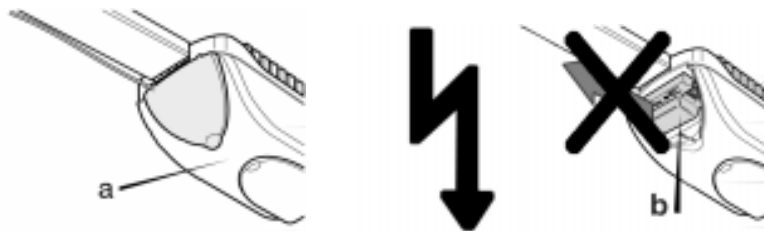
Uporabniška služba

Motnje pri napetostih 230 V lahko odpravi izključno električar ali pogodbeni uporabniška služba. Pri ponovnem pojavu istih ali drugih motenj prosimo, da pokličete najbližjo pogodbeno uporabniško službo.



Pozor!

Pokrovno kapo (a) lahko sname samo strokovno osebje, po VDE 0100 (nevarnost električnega udara). V nasprotnem garancija ne bo več veljala.



Nevarnost električnega udara!

Delo na upravljalni elektroniki (b) opravite izključno pri izklopljeni napetosti! Ne smete izvleči upravljalne elektronike!

Pribor

Ta pribor lahko dobite v specializiranih trgovinah. Nadaljnja obvestila o tem vam bo rade volje dal vaš prodajalec SOMFY pogona za garažna vrata.

Pribor za dodatno varnost

	SOMFY številka proizvoda	Opomba
Zunanje odklepanje v sili – za oscilacijska, sekcijška in pregibna vrata z ročajem – za vse vrste najbolj prodajanih vrat z in brez ročaja (ključavnica za odklepanje v sili)	9 000 018 9 000 032	Če ni drugega vhoda v garažo, mora biti obvezno montirano zunanje odklepanje v sili. Tako je omogočeno, npr. pri prekinitvi električne energije/motnjah, odpiranje garažnih vrat odzunaj (ročno).
Kontakt drsnika vrat	9 000 007	Onemogoča pri odprtem drsniku vrat (vrata v vratnici) premikanje vrat s pomočjo pogona garažnih vrat.
Talno zaklepanje	9 000 003*	
Komplet za zaklepanje brez vzmeti	9 000 019*	
Postranska ključavnica za zaklepanje vrat	9 000 004*	
Svetlobna meja	9 000 025	Pri prekinitvi svetlobnega žarka, se garažna vrata takoj ustavijo. V smeri zapiranja vrat bo zapreka odstranjena.
Opozorilna luč	9 000 030	

* vodilo je dodatno potrebno (številka proizvoda 9 000 002)

Pribor za večjo ugodnost uporabe

	SOMFY Številka proizvoda	Opomba
Ključno tipkalo z/brez dodatkov	9 000 021	
Notranje tipkalo	9 000 008	
Kodno tipkalo	9 000 028	
2-kanalni daljinski upravljaliec, svetlo-siv	1 800 037	433,42 MHz
4-kanalni daljinski upravljaliec, Fun	1 800 035	433,42 MHz
4-kanalni daljinski upravljaliec, temno-siv	1 800 029	433,42 MHz

Pribor za posebne pogoje vgraditve

	SOMFY Številka proizvoda	Opomba
Stropno obešanje (kot)	9 000 034	Za obešanje do max. 270 mm.
Luknjičasta palica za obešanje pogona garažnih vrat	9 000 001	Celotna dolžina 1m, za obešanje do max. 400 mm.
Stropno obešanje (teleskop)	9 000 042	Za obešanje do max. 1500 mm.
Podaljšek vodila	9 000 006*	Uporaba pri široki vratnici (do max. 400mm), če je vodilo na vratnici.
Podaljševalna palica	9 000 005*	Potrebna je pri premajhni razdalji med zgornjim robom vrat in garažnim stropom in če je pogon garažnih vrat v celoti postavljen nazaj (do max. 2,5 m).
Okovje krilnih vrat	9 000 009	Širina garažnega krila 1,5 m po krilu. Za dodatne nasvete glej v «Uporabnost».
Okovje sekcijskih vrat	9 000 016	Za segmente vrat z višino 300 do 500 mm.
Pritrdilo	9 000 040	Za ojačitev zgornjega segmenta teleskopskih vrat.
Zvito vodilo	9 000 023	Za teleskopska vrata, če na segmentu vrat ni potrebna nosilna in pritrdilna palica.
Ročaj	9 000 015	Za pregibna vrata z navpičnimi hodnimi palicami.
Komplet za podaljševalno palico	9 000 031	Okrog max. 700 mm.

* vodilo je dodatno potrebno (številka proizvoda 9 000 002)

Pojasnilo proizvajalca



(Glej stran 230)

Proizvajalec SOMFY GmbH, Felix-Wankel-Strasse 50, D-72108 Rottenburga. N., izjavlja:

Pogoni vrat, tip KEASY L+, KEASY XL+ ustrezajo 99/5/EG, 98/37/EG pravnemu določilu o strojih po DIN EN 12453:2001, DIN EN 60335-1:1995, E DIN EN 60335-2-95:2001.

Nasvet:

Uporaba naprave za vrata, v katero je vgrajen ta pogon za vrata je prepovedana, vse dokler se ne ugotovi ali naprava za vrata ustreza pravnim določilom 98/37/EG.

Rottenburg, dne 16.02.2004

Vodja designskega centra
Dieter Thomas

Sadržaj

Sadržaj	157
Simboli rabljeni u ovoj uputi	158
Savjeti za zbrinjavanje	158
Zbog Vaše sigurnosti	159
Primjena u skladu s odredbama	159
Važne upute o sigurnosti	159
Upozorenje za nositelje regulatora rada srčanog mišića.....	159
Sigurnosni uređaji.....	159
Priprema za ugradnju	160
Kratak pregled	160
Tehnički podaci.....	160
Primjenjivost	161
Maksimalna masa garažnih vrata.....	161
Padna i pokrovna čvrstoća garaže	161
Postojeća mehanika vrata	161
Mrežni priključak	161
Dodatne sigurnosne naprave	162
Uputa za montiranje	162
Važni savjeti za sigurnu montažu	162
Provjeriti sadržaj pakiranja	162
Situacije ugradnje/-primjeri	163
Pred-montaža pogona garažnih vrata.....	163
Montaža	163
Uputa za postavljanje	164
Stavljanje u pogon	164
Postavljanje/promjena graničnih položaja vrata	165
Programiranje daljinskog upravljača	166
Provjera prepoznavanja smetnji	167
Priključivanje pribora	167
Priprema	167
Svjetlosna međa, kontakt klizača vrata, letvica sigurnosnog kontakta	168
Tipka za unutarnji kod i za otključavanje	168
Svjetlo upozorenja	169
24 V-ni izlaz	169
Uputa za uporabu	169
Otvaranje, zatvaranje i zaustavljanje garažnih vrata	169
Unutarnje otključavanje u slučaju nužde	169
Zamjenjivanje baterija u daljinskom upravljaču	170
Zamjenjivanje žarulje	170
Redovno provjeravanje	170
Što se dešava pri prekidu dovoda električne energije?	170
Pomoć kod funkcijskih smetnji	171
Kako sami možete ukloniti smetnje	171
Korisnička služba.....	172
Pribor	172
Pribor za dodatnu sigurnost	172
Pribor za veću pogodnost uporabe	173
Pribor za posebne uvjete ugradnje	173
Objašnjenje proizvođača	173

Simboli rabljeni u ovoj uputi

**Pozor! Važno upozorenje o sigurnosti.**

Zbog osobne životne sigurnosti, važno je pridržavati se ovih upozorenja.

**Oprez! Upozorenje o sigurnosti.**

Pri nepridržavanju prijete opasnost od ozljede ili materijalne štete.

**Savjet:**

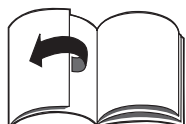
Označuje savjete pri uporabi i važne obavijesti.

**Opasnost od strujnog udara!**

Prije svih radova izvući utikač.



Primjena samo u suhim prostorijama.



Prednje rasklopne stranice otklopiti.



Stražnje rasklopne stranice otklopiti.



Daje uz odgovarajuću uputu broj popratne slike na rasklopnim stranicama.

- Točka obilježuje uputu za postupanje!
 - Crticom se upućuje na točke na koje posebno treba obratiti pažnju.

Savjeti za zbrinjavanje



Na što trebate obratiti pažnju ako zamjenjujete postojeći pogon za vrata:

- stari uređaji nisu beskoristan otpad. Prikladnim zbrinjavanjem ponovno se dolazi do vrijednih sirovina.

Zbog zaštite Vašeg novog pogona za vrata od rđe, pri transportu i skladištenju neki su dijelovi premazani uljem. Nakon montaže zbrinite na način koji je prijateljski za okoliš dijelove pakiranja zaprljane uljem i krpe kojima ste brisali.

Materijali za pakiranje, koje smo rabili prijateljski su za okoliš i ponovno iskoristivi. Zbrinite pakiranje u skladu sa brigom o zaštiti okoliša.

Baterije daljinskog upravljača ne spadaju u kućno smeće.

O prikladnim načinima zbrinjavanja raspitajte se kod Vašeg prodavača ili u općinskoj upravi.

Zbog Vaše sigurnosti

Primjena u skladu s odredbama

Pogon je prikladan za vrata izrađena prema normi EN 12604, odnosno EN 13241, uzimajući u obzir pogonsku snagu i pridržavanje uputa za uporabu.

Primjenjujte ovaj pogon garažnih vrata isključivo



- za automatsko otvaranje i zatvaranje garažnih vrata
- u suhim prostorijama.
- za osobnu uporabu.
- prikladno opisima i sigurnosnim uputama danim u ovoj uputi za uporabu.

Bilo koja drugačija uporaba nije u skladu s odredbama.

Važne upute o sigurnosti



Pozor!

Zbog osobne životne sigurnosti, slijedite sve ove upute:

- Sačuvajte ove upute i pri promjeni vlasništva prosljedite ih sljedećem vlasniku. Pročitajte u potpunosti ovu uputu prije montaže i posebno obratite pažnju na savjete o sigurnosti.
- Provedite radne korake opisanim redoslijedom i proučite kako se služiti napravom.
- Rabite isključivo priloženi odnosno preporučeni materijal za učvršćivanja, originalne zamjenske dijelove i pribor.
- Nakon stavljanja u rad pogona garažnih vrata, uputite sve korisnike u način njegovog funkcioniranja i uporabe.
- Na rubnim zatvaračima i mehanici pogona garažnih vrata postoji opasnost od prignječenja i posjekotina. Otvarajte i zatvarajte garažna vrata samo onda kada vidite cijelo polje njihovog kretanja i kada se u njemu ne nalazi niti jedna osoba.
- Čuvajte daljinski upravljač na takav način da isključite mogućnost nehotičnog uključivanja, npr. preko djece koja se igraju.
- Pogon vrata montirajte isključivo na pravilno postavljena i uravnotežena garažna vrata. Nepravilno postavljena vrata mogu uzrokovati ozljede.
- Prije rada na vratima ili njihovu pogonu izvucite mrežni utikač.
- Oštećeni mrežni kabel obvezatno zamijenite (samo uz pomoć električara).
- Nikada ne posezati prema vratima ili dijelovima koji su u pokretu.



Upozorenje za nositelje regulatora rada srčanog mišića

Snaga odašiljanja daljinskog upravljača u okviru je dotičnih normi i u principu je neupitna. Zbog isključenja eventualne mogućnosti rizika, za svaki slučaj preporučamo da ne uključujete daljinski upravljač direktno na tijelu. Zbog Vaše sigurnosti držite daljinski upravljač u ispruženoj ruci, usmjeren na garažna vrata.

Sigurnosni uređaji



Sigurnosni uređaji štite od ozljeda i materijalnih šteta.

Nikada hotimično ne isključujte sigurnosne uređaje.

Automatsko prepoznavanje smetnji

Pri nailasku na zapreku kod otvaranja vrata, pokretanje vrata se zaustavlja.

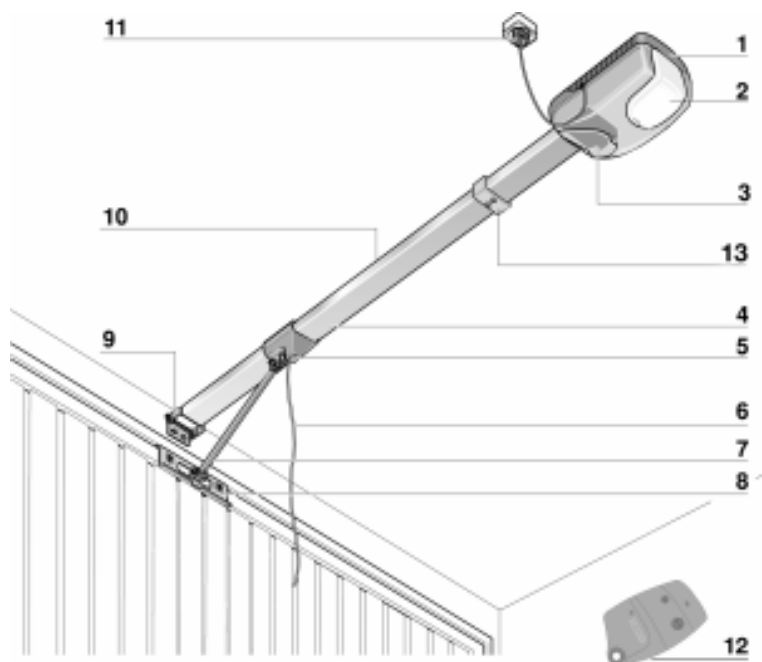
Pri nailasku na zapreku kod zatvaranja vrata, ona će biti oslobođena time što će se vrata podignuti do gornjeg mehaničkog graničnika (odnosna točka) i tada natrag do programiranog gornjeg, krajnjeg položaja.

- Provjerite funkciju najmanje jednom mjesečno (vidjeti poglavlje "Stavljanje u pogon").

Preporučamo ugradnju dodatnih sigurnosnih uređaja (vidjeti "Pribor").

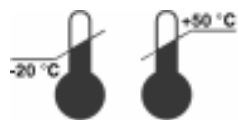
Prpriprema za ugradnju

Kratak pregled



- | | |
|--|-------------------------------------|
| 1. Pogonska glava | 8. Kutno-učvrсни list vrata |
| 2. Pogonska rasvjeta | 9. Kutni držač protiv pada / Pokrov |
| 3. Elektronika | 10. Lanac sa skretnicom (pokriven) |
| 4. Hodna šipka | 11. Mrežni utikač |
| 5. Hodalica | 12. Daljinski upravljač |
| 6. Unutarnje otključavanje u slučaju nužde | 13. Mehanički graničnik |
| 7. Vodilica | |

Tehnički podaci



	KEASY L [⊕]	KEASY XL [⊕]
Težina	~ 15 kg	~ 15 kg
Jačina pritiska- /povlačenja	do 500 N nestupnjevito ¹⁾	do 700 N nestupnjevito ¹⁾
Mekano pokretanje/zaustavljanje	da, nestupnjevito	da, nestupnjevito
Temperaturno područje	-20 °C.....+50 °C	-20 °C.....+50 °C
Izmjere		
Ugradna duljina	3,30 m	3,30 m
Širina zamaha	2,50 m ²⁾	2,50 m ²⁾
Elektrika		
Naponska snaga	230 V/50 Hz~	230 V/50 Hz~
Max. mogućnost naponskog opterećenja	300 W	300 W
Potrošnja u pripravnom stanju (stand-by)	< 4 W	< 4 W
Vrsta zaštite	IP 20	IP 20
Vrsta pogona	S2 Kratko-vremenski pogon	S2 Kratko-vremenski pogon
Svjetiljka	max. 40 W/E14	max. 40 W/E14
Signalna frekvencija	UKW 433,42 MHz	UKW 433,42 MHz

CE 06810

- 1) samo-učeći
2) 3,00 m sa produžetkom za šipku

Primjenjivost

KEASY L⁺ / KEASY XL⁺

Mogu se primijeniti za:

- Zamašna vrata
- Pokrovno-odjelna vrata (okovi za odjelna vrata dostupni, vidjeti "Pribor")
- Krilna vrata (okovi za krilna vrata dostupni, vidjeti "Pribor")

Dodatno se mora izmijeniti hodni smjer pogona. Za to potrebne obavijesti dobit ćete kod Vašeg prodavača ili u najbližoj korisničkoj službi. (Vidjeti također uputu za uporabu okova za krilna vrata)

KEASY XL⁺

Mogu se primijeniti za:

- Pregibna vrata (zamašna ručica dostupna, vidjeti "Pribor")
- Postranično-odjelna vrata (okov dostupan).

Maksimalna masa garažnih vrata

	KEASY L ⁺	KEASY XL ⁺
Površine		
lagana vrata, npr. limena vrata	do 7,5 m ²	do 12,0 m ²
teška vrata, npr. drvena vrata	do 6,0 m ²	do 7,5 m ²
Visine		
Pokrovno-odjelna vrata	do 2,3 m	do 2,3 m
Ostala vrata	do 2,3 m	do 2,3 m
sa produžnom stopom za šipku (vidjeti "Pribor")	preko 2,3 m do 3,0 m	preko 2,3 m do 3,0 m

Padna i pokrovna čvrstoća garaže

Najmanje opterećenje nadvoja i pokrova:

- KEASY L⁺: 700 N
- KEASY XL⁺: 900 N



Pri bušenju voditi računa o jačini pokrova (npr. betonski pokrovi gotovih garaža)!

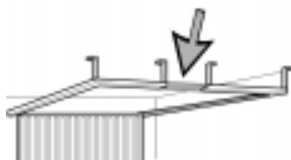
Preporučljiva dubina bušotine za isporučene učvrsnice i vijke: **53 mm**

Isporuka sadržava standardne učvrsnice. Ako je potrebno, primijeniti posebne učvrsnice, prikladne za podlogu.

Postojeća mehanika vrata

Mogu li se garažna vrata ručno, bez iskrivljavanja otvoriti i zatvoriti? Ako ne, pozovite stručno osoblje za garažna vrata da pravilno podesi mehaniku vrata.

Ako su hodne šipke garažnih vrata učvršćene poprečnom spojnicom, može se desiti da vodilica pogona garažnih vrata zapne za spojnicu. U takvim slučajevima ona se može odvojiti i u dijelovima ukloniti, vidjeti primjer na slici. Kako bi se ponovno postigla čvrstoća, preostale dijelove pričvrstiti na pokrov.



Mrežni priključak

Da li postoji odgovarajući razmak između pogona vrata i mrežnog priključka od 230 V?

- Duljina mrežnog kabela: **oko 1 m**

Ako ne, električar treba izvršiti priključenje na mrežu.



Dodatne sigurnosne naprave



Vanjsko otključavanje u slučaju nužde

Ako ne postoji drugi ulaz u garažu, neizostavno treba postaviti vanjsko otključavanje u slučaju nužde (vidjeti "Pribor"). Time je omogućeno (ručno) otvaranje garažnih vrata izvana, npr. u slučaju nestanka električne energije ili drugih smetnji.



Mehanički graničnik

Za puštanje u pogon i slobodan rad na uklanjanju neke smetnje, garažna vrata neizostavno moraju biti ograničena čvrstim mehaničkim graničnikom (priložen u isporuci).



Zaključavanje vrata

Pogon garažnih vrata je samokočeći i drži vrata zatvorenima. Postojeće brave garažnih vrata automatizirati (vidjeti "Pribor"), ukloniti ih ili onesposobiti.

Uputa za montiranje

Važni savjeti za sigurnu montažu



Pozor!

Nepravilno montiranje može uzrokovati ozbiljne ozljede. Slijediti sve upute za montiranje!
Dodatna pomoć neke osobe olakšava montažu.



Opres!

Pri bušenju staviti na oči zaštitne naočale.
Radi zaštite od prašine prije bušenja prekrijte pogonsku glavu.



1 Provjeriti sadržaj pakiranja

Kako biste mogli montirati bez prekidanja, prije montaže provjerite sadržaj pakiranja

- da li imate sve dijelove,
- da li su dijelovi u ispravnom/odgovarajućem stanju.

Ne ugrađujte oštećene dijelove! Nazovite Vašeg prodavača.



Savjet:

Spužvasti dijelovi **AA** služe za prigušivanje zvuka lanca.



Pripremite sav potreban alat za montiranje.

Situacije ugradnje/-primjeri

Gdje montirati kutni držač protiv pada/pokrov i pogonsku glavu?

(Na primjeru zamašnih vrata)



3

Za najbolji prijenos snage pogon bi trebao biti montiran preko najviše točke hoda vrata, što je moguće tješnje.

- Odrediti najvišu točku **a** hoda vrata (**a** = najmanji razmak od lista vrata do garažnog pokrova). Ovisno o utvrđenoj mjeri postoje različite ugradne mogućnosti.

4

1. Mjera **a** od 38 mm do 140 mm
 - garažni pogon montirati na pokrov.
 - montažni kut protiv pada/pokrova pričvrstiti na nadvoj ili pokrov (bolje na nadvoj).
 - pri montiranju nadvoja zadržati razmak od 15 mm.

5

2. Mjera **a** veća od 140 mm
 - montažni kut protiv pada/pokrov montirati na nadvoj sa razmakom od 50 mm između donjeg brida šipke i najviše točke hoda vrata.
 - pogon garažnih vrata objesiti na pokrov (preporuča se rupičasta šipka, vidjeti "pribor").

6

3. Mjera **a** manja od 38 mm
 - montažni kut protiv pada/pokrov i pogon garažnih vrata montirati iza otvorenih garažnih vrata na pokrov (preporuča se produžna šipka, vidjeti "Pribor"). Obratiti pažnju na ukupnu duljinu.

Pred-montaža pogona garažnih vrata



7

- Spojne komade za šipku **B** ugurati u vodeću šipku **A** sve do graničnika i dijelove vodeće šipke spojiti.
- Bijele spužvaste uloške protiv šumova **AA** presaviti na žlijebu.
- Prigušivače zvuka ukliješiti u sredinu 4 vodeće šipke **A**.
- Prethodno montiranu vodeću šipku uvesti na pogonsku glavu **C**.

8

- Hodalicu **D** povući na vodeću šipku.
- Prednje skretnice za lanac **E, F, G** spojiti i uvući u hodalicu.

9

- Zbog lakšeg odmotavanja lanca **J** može se poklopac od pakiranja malih dijelova odvojiti i primijeniti kao podloga.
- Prekomjernu količinu ulja na lancu obrisati krpom.

10

- Odmotati lanac na hodnoj šipki.
 - Neizostavno udjenuti lanac kroz hodalicu **D** na nosećoj strani **I**. K tome hodalicu izvezati (metalna poluga mora biti uglavljena u plastičnu polugu).
- Nosač **I** povezati sa lancem **J** sa obje strane pomoću zatvarača lanca **H**.



11

- Za umetanje lanca u skretnicu **F** mora se opruga **E** snažno stisnuti. Kao pomoćno sredstvo za to primijeniti vodilicu **M**.
 - Lanac mora biti pravilno umetnut u svoju vodilicu i ne smije biti usukan, odnosno uvijen.

12

- Pričvrstiti uzicu za otključavanje u nuždi **O**.
- Postaviti pokrivalo za udubine **N**.

Montaža



13

- Kutno-učvrсни list vrata **K** montirati na okvir lista vrata.
 - Učvršne vijke postaviti vodoravno ili okomito.

14

- Kutni držač **L**, ovisno o ugradnoj situaciji montirati na pokrov ili nadvoj (vidjeti "Ugradne situacije / primjeri"). Dubina bušenja rupa 5,3 cm.

15

- Skinuti pokrovnu zapornicu.
- Spojiti pogon garažnih vrata sa kutnim držačem.
 - Lagano privući vijke. Vijak smije imati nešto prostora, budući da matica ima samo-osiguranje.

16

- Pričvrstiti pogonsku glavu na pokrov, dubina bušenja rupa 5,3 cm.
 - Obratite pažnju na središnji položaj pogonske glave u odnosu na garažna vrata (usporediti kutni učvršćivač **K** na garažnom listu).

17

- Vodicu **M** spojiti sa kutnim učvršćivačem garažnog lista (pomoću **Q**, **Y**) i hodalicom. Vijci mogu imati nešto prostora, budući da matica ima samo-osiguranje.

Kod vrata bez čvrstog mehaničkog graničnika na sljedeći način montirajte kutni graničnik **Z**:

- Potpuno otvorite garažna vrata. Montažni položaj kutnog graničnika je, pri potpuno otvorenim vratima točno iza hodalice.
- Urtajte rupe za bušenje i naposljetku ih izbušite metalnom bušilicom promjera Ø 3,6 mm.
- Kutni graničnik montirajte pomoću limenih poteznih vijaka **ZZ**.

- Ručno provjerite hod vrata. Da biste to učinili hodalica mora biti otkočena.
- Garažna vrata potpuno otvorite i zatvorite.

18

- Pri zatvorenim garažnim vratima pripremite pogonsku glavu garažnih vrata za spajanje. Za to morate pritisnuti plastičnu polugu nadolje. Otkočivanje će biti pripremljeno, čim metalna poluga bude uglavljena. Naposljetku ručno podesiti garažna vrata u položaj "Vrata – postavljanje", tako hodalica biva spojena sa nosačem.

Uputa za postavljanje

Stavljanje u pogon



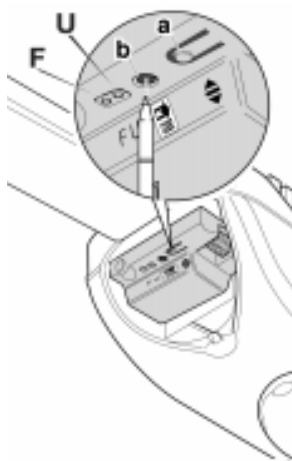
Opasnost od ozljede!

Pri postavljanju i stavljanju u pogon osobe ili stvari ne smiju se nalaziti u polju zamaha garažnih vrata.



Savjet:

Trajno svjetlo može jako zagrijati pokrov pogonskog osvjetljenja. Stoga uključivanje u rad provedite bez pokrova.



- Utaknite utikač. Pogonsko osvjetljenje trajno svijetli.
- Provjerite da li je nosač na lancu u hodalici dobro uglavljen. Garažna vrata se ne smiju dati ručno pomicati.

- F** Svijetleća dioda, svijetli pri prijemu radio-signala
- U** Svijetleća dioda, svijetli pri prisutnom mrežnom naponu
- a** Upravljačke tipke
- b** Programske tipke

Postavljanje/promjena graničnih položaja vrata

Postupak uvijek podrazumijeva postavljanje gornjeg i donjeg graničnog položaja, kao i tijek provjere.

Gornji granični položaj opisan je kao položaj hodalice pri potpuno otvorenim vratima.

Donji granični položaj opisan je kao položaj hodalice pri potpuno zatvorenim vratima.

Postupak podešavanja mora biti proveden po unaprijed zadanom redosljedju i završen je onda, kada se ugasi pogonsko osvjetljenje. Tek nakon toga se može rabiti daljinski upravljač.



Oprez!

Mora postojati čvrst graničnik kao ograničenje hodnog puta vrata (gornji granični položaj), jer će pogon pri postavljanju raditi dalje i stoga može oštetiti mehaniku vrata.

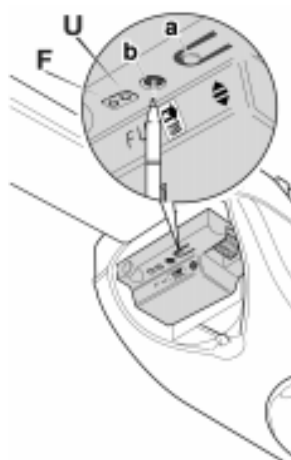


Savjet:

Programske tipke potrebno je samo lagano pritisnuti (npr. kemijskom olovkom).

Da biste prekinuli postupak postavljanja, izvucite mrežni utikač. Nakon što ste ponovno utaknuli mrežni utikač, morate ispočetka sprovesti postupak postavljanja.

Najmanji razmak između gornjeg i donjeg graničnog položaja je 30 cm. Manji razmak ne može biti programiran.



1. Podešavanje gornjeg graničnog položaja

- Držite pritisnutom programsku tipku **b** najmanje 2 sekunde (kemijska olovka), dok se ne ugasi pogonsko osvjetljenje.
 - Pogonsko osvjetljenje se ponovno pali.
 - Ako pogonsko osvjetljenje trepće, programska tipka bila je prekratko vrijeme pritisnuta. U tom slučaju izvucite mrežni utikač i ponovno ga utaknite. Ispočetka započnite postavljanje graničnih položaja.
- Kratko pritisnite upravljačku tipku **a** (oko 1 sekunde).
 - Pogon garažnih vrata kreće se u smjeru "Vrata – otvaranje", sve do mehaničkog graničnika i od tuda oko 5 cm natrag.
 - Popravlak ovog položaja je moguć, stoga pritisnite upravljačku tipku **a** i držite je pritisnutom, sve dok ne postignete željeni položaj. Pri svakom pritisku tipke mijenja se smjer kretanja.
- Kada je željeni položaj postignut:
 - Pritisnite programsku tipku **b**, dok se pogonsko osvjetljenje ne ugasi.
 - Pogonsko osvjetljenje se ponovno pali.

Gornji granični položaj je pohranjen.

2. Podešavanje donjeg graničnog položaja

- Pritisnite upravljačku tipku **a** i držite je pritisnutom, sve dok se garažna vrata potpuno ne zatvore (mehanički graničnik).
 - Donji granični položaj se, ako je potrebno, može promijeniti pritiskom na tipku **a**, vidjeti gore.
 - Zbog očuvanja mehanike vrata podesite donji granični položaj tako da bude onemogućen prejak pritisak vrata na mehanički graničnik.
- Pritišćite programsku tipku **b**, sve dok se ne ugasi pogonska rasvjeta.
 - Pogonsko osvjetljenje se ponovno pali.

Donji granični položaj je pohranjen.

3. Provođenje probnog hoda (tijek provjere)

- Kratko pritisnite upravljačku tipku **a** i pričekajte dok se garažna vrata posve ne otvore.
- Ponovno pritisnite upravljačku tipku **a** i pričekajte dok se garažna vrata sasvim ne zatvore.
 - Pogonsko osvjetljenje se gasi.

Tijek podešavanja je završen.

Ako provjera nije uspješno okončana, ispočetka ponovite cijeli postupak.

Provjera je samo onda potpuna, ako nije ničim prekinuta. Tijekom provjere pogon garažnih vrata radi punom snagom i pri tome automatski "uči" kolika je snaga potrebna za otvaranje i zatvaranje vrata. Pri svakom sljedećem hodu snaga će automatski biti ponovno prosuđivana (važno npr. zimi, kada se garažna vrata nešto teže otvaraju i zatvaraju).

Programiranje daljinskog upravljača

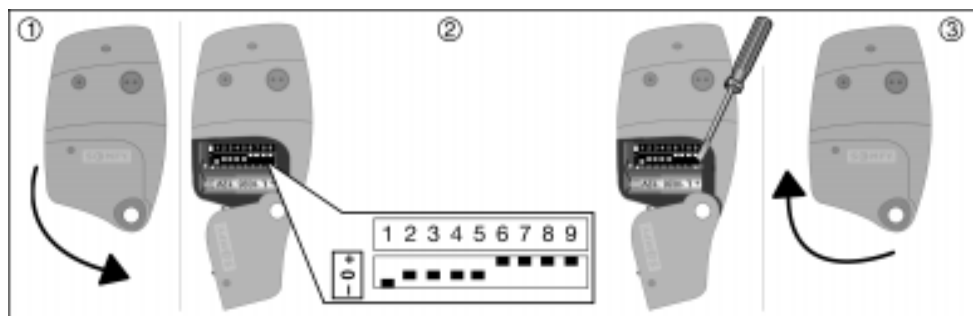
1. Podešavanje sigurnosnog koda



Savjet za Somfy sigurnosni sustav:

Zbog sigurnosnih razloga mora najmanje jedan prekidač biti podešen na + ili 0, kako bi se daljinski upravljač mogao programirati za rad. Stoga ne vrijedi sigurnosni kod "- - - - -".

Kodirajte Vaš daljinski upravljač svojim osobnim sigurnosnim kodom. Da biste to učinili:

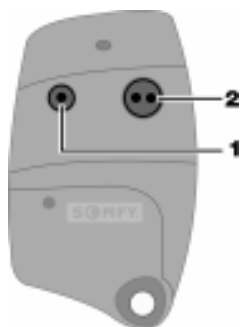


- Skinite poklopac daljinskog upravljača (1).
- Željeni kod podesite sa npr. odvijačem (2).
 - Podesite neki slobodno izabran broj prekidača između 1 i 9 na +/- ili 0.
- Zatvorite poklopac daljinskog upravljača (3).

Sada možete programirati Vaš daljinski upravljač.

2. Programiranje daljinskog upravljača za rad

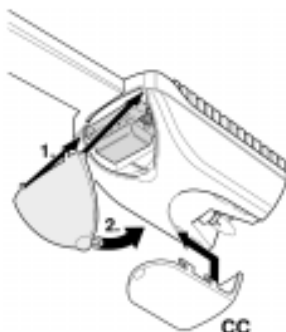
Prije no što počnete sa programiranjem daljinskog upravljača utvrdite jednu od dvije tipke daljinskog upravljača **1** ili **2** kao upravljačku tipku. Samo pomoću te tipke moći ćete tada rabiti pogon garažnih vrata. Ta tipka će u sljedećem opisu biti nazvana "tipkom 1".



- Kratko pritisnite programsku tipku **b** na pogonu vrata (oko 1 sekunde).
 - Trepće pogonska rasvjeta.
 - Ako pogonska rasvjeta neprekidno svijetli, znači da ste programsku tipku predugo držali pritisnutom. U tom slučaju izvucite mrežni utikač i ponovno ga utaknite. Ponovite "programiranje daljinskog upravljača".
- Željenu tipku 1 na daljinskom upravljaču držite pritisnutom najmanje 2 sekunde, dok se ne ugasi pogonsko osvjetljenje i onda ponovno počne treptati.
- Ponovno držite pritisnutom istu tipku na daljinskom upravljaču oko 2 sekunde, dok se pogonsko osvjetljenje ne ugasi i onda još jednom kratko upali.

Daljinski upravljač je programiran za rad.

- Nakon svršetka postupka programiranja vratite poklopac elektronike i pogonske rasvjete **CC**.



3. Dodatni daljinski upravljači

Nakon što ste programirali jedan daljinski upravljač, možete dodatne daljinske upravljače rabiti bez programiranja pod sljedećim uvjetima:

- Podešen je isti sigurnosni kod.
- Rabi se ista upravljačka tipka (tipka 1).

4. Brisanje programiranog na daljinskim upravljačima

Programirano na daljinskim upravljačima će biti izbrisano ako budu unesene nove vrijednosti.

Ovo uspijeva ako:

- programirate jednu novu upravljačku tipku daljinskog upravljača,
- ili
- programirate daljinski upravljač na rad sa novim sigurnosnim kodom (vidjeti "podešavanje sigurnosnog koda").



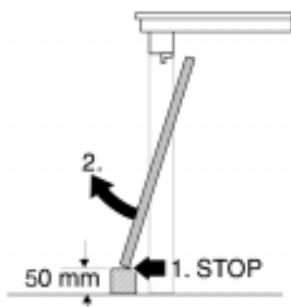
Savjet:

Brisanje daljinskog upravljača podrazumijeva brisanje svih daljinskih upravljača, koji su programirani istim sigurnosnim kodom, odnosno istom upravljačkom tipkom.

Provjera prepoznavanja smetnji

Pri puštanju u rad i od tada najmanje jednom mjesečno

- Postavite prikladan predmet visine najmanje 50 mm (npr. cjepanicu) u prostor kretanja garažnih vrata (zatvaranje vrata).
- Pokrenite pogon garažnih vrata.
 - Pri nailasku na predmet garažna vrata se zaustavljaju, dolaze do gornjeg mehaničkog graničnika i tada natrag do programiranog gornjeg graničnog položaja.
 - Pogonsko osvjjetljenje trepće u taktu od 1 sekunde.
- Ponovnim pokretanjem pogona garažnih vrata treptanje se zaustavlja.
 - U suprotnom, molimo obratite se korisničkoj službi.



Priključivanje pribora

Priprema



Opasnost od strujnog udara

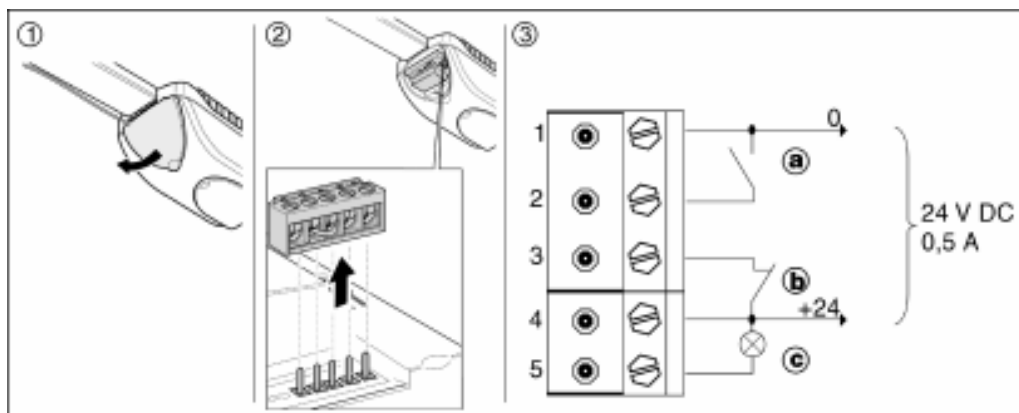
Prije priključivanja pribora izvucite mrežni utikač.



Oprez!

Priključujte prema uputama samo originalni pribor. Potencijalno slobodni kontakti – ne postavljajte strani napon!

- Skinite zaklopac elektronike (1).



- Za priključivanje priključnih vodova skinite steznu letvicu (2).

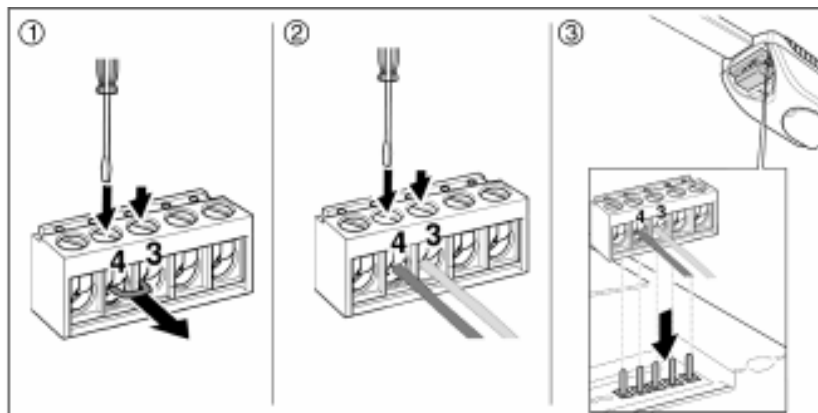
Priključni sloj (3):

- **a** Priključak – tipka
- **b** Priključak – svjetlosna međa
- **c** Priključak – svjetlo upozorenja



Pozor!

Sigurnosni pribor treba priključiti stručna služba.



- Priklučne strezaljke 3 i 4 otvoriti (mali odvijač) (1).
Ukloniti žičani most.
- Priklučne vodove utaknuti u 3 i 4, čvrsto zavrtuti (2).
- Ponovno utaknuti steznu letvicu (3).
- Utaknuti mrežni utikač, provjeriti funkciju.



Savjet:

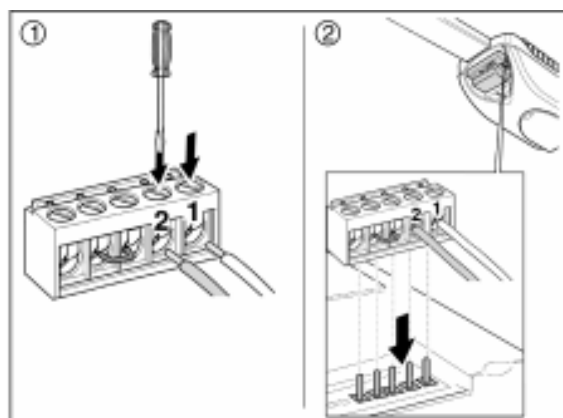
Ako se primjenjuje više sigurnosnih kodova, onda moraju biti redno ukopčani.

Tipka za unutarnji kod i za otključavanje



Namještanje tipki:

- u vidokrugu do garažnih vrata,
- udaljeno od pokretnih predmeta,
- unutarnju tipku smjestiti na visinu od najmanje 1,5 m.
- Odvrtnuti priklučne stezaljke 1 i 2 (mali odvijač).



- Utaknuti priklučne vodove, čvrsto zavrtuti (1).
- Ponovno utaknuti steznu letvicu (2).
- Utaknuti mrežni utikač, provjeriti funkciju.



Savjet:

Ako rabite više tipki, one moraju biti paralelno ukopčane.

Svjetlo upozorenja

Svjetlo upozorenja trepće tijekom kretanja vrata.

- Svjetlo upozorenja priključiti na izlaz stezaljke 4 i 5.

24 V-ni izlaz

24V- ni izlaz služi za opskrbu svjetlosne međe ili letvice sigurnosnog kontakta. Priključiti na stezaljci 1 i 4.

Uputa za uporabu

Otvaranje, zatvaranje i zaustavljanje garažnih vrata



Opasnost od ozljede

Otvarajte i zatvarajte garažna vrata samo onda kada se u prostoru hoda vrata ne nalaze nikakve osobe ili predmeti.

Pri nestanku struje ili smetnjama na pogonu otvarajte garažna vrata isključivo pomoću unutarnjeg ili vanjskog otključavanja u nuždi. Ako vrata, nakon aktiviranog otključavanja u nuždi zahtijevaju povećanu snagu da bi se mogla otvoriti, obvezatno pozovite stručno osoblje za garažna vrata.

Smjestite daljinski upravljač u vozilu tako da tijekom vožnje, npr. pri kočenju ne može prouzročiti nikakvu štetu.



Oprez!

Ne izlažite daljinski upravljač visokim temperaturama (npr. direktnim sunčevim zrakama u vozilu).

- Usmerite daljinski upravljač prema garažnim vratima i 1–2 sekunde držite pritisnutom tipku ili
- Aktivirajte tipkalo (npr. tipkalo za ključ).
 - Pogonsko osvjetljenje svijetli nakon otvaranja 60 sekundi.



Tijek pri višekratnom aktiviranju daljinskog upravljača ili tipki:

Otvaranje – zaustavljanje – zatvaranje – zaustavljanje – otvaranje – zaustavljanje – zatvaranje – zaustavljanje itd.

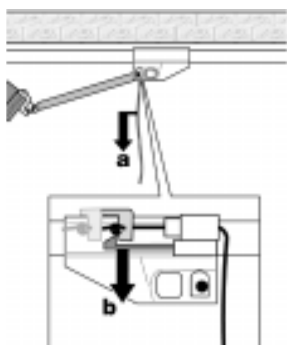
Unutarnje otključavanje u slučaju nužde

U slučaju nužde ili pri nestanku električne energije garažna vrata se mogu iskopčati iz pogona i iznutra (ručno) otvoriti.



Opasnost od ozljede

Garažna vrata pri otključavanju mogu pasti, ako su opruge slabe ili neispravne ili ako su vrata nedovoljno uravnotežena.



- Otključati pogon garažnih vrata, za to povući uzicu **a**.
 - poluga biva utaknuta i garažna vrata se mogu ručno otvoriti.
- Pripremiti pogon garažnih vrata za spajanje, za to plastičnu polugu **b** pritisnuti prema dolje.
- Naposljetku ručno postaviti garažna vrata u položaj za izlazak.
 - pri spajanju se treba oglasiti jedno jasno "klik".

Zamjenjivanje baterija u daljinskom upravljaču



Oprez!

Opasnost pri neprikladnom zamjenjivanju baterija. Zamjena samo istim tipom baterije. Rabiti baterije koje ne mogu iscuriti.

Opasnost po okoliš od istrošenih baterija!

Ne bacajte istrošene baterije u kućno smeće. Pobrinite se o zbrinjavanju koje će biti prijateljsko za okoliš. Obratite pažnju na podatke proizvođača.

- Istrošene baterije zamijenite novima.
 - tip baterije: L1028/12 V



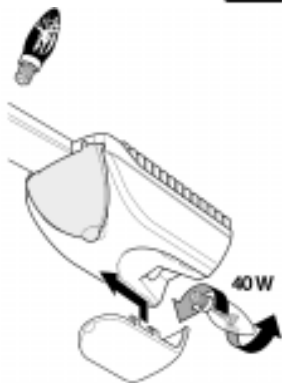
Zamjenjivanje žarulje



Opasnost od strujnog udara!

Prije zamjene žarulje izvucite mrežni utikač.

- Skinite pokrov pogonske rasvjete.
- Zamijenite staru žarulju novom (max. 40 W/E14).
- Postavite pokrov i pričvrstite ga.
- Utažite mrežni utikač.



Redovno provjeravanje



Pozor!

Tijekom popravljivanja ili radova na postavljanju mehanike vrata ne rabiti uređaj, budući da greška na uređaju ili krivo uravnotežena vrata mogu uzrokovati ozljede.

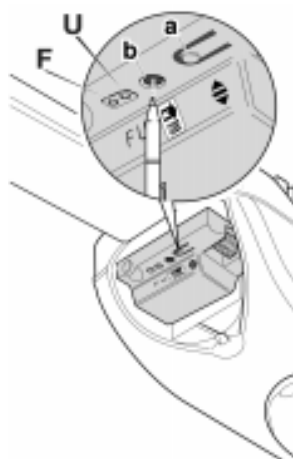
- Jednom mjesečno provjeriti sljedeće funkcije:
 - prepoznavanje zapreka (vidjeti poglavlje "stavljanje u pogon")
 - funkciju svih dodatno ugrađenih dijelova pribora (posebno sigurnosne naprave).
- Provjeriti pravilnost mehaničkog funkcioniranja cijelog uređaja (vrata i pogon), istrošenost, napose oštećenja opruga i učvrstanih dijelova, također i električnu instalaciju.

Što se dešava pri prekidu dovoda električne energije?

- Pogonska rasvjeta svijetli nakon povratka električne energije 1 sekundu.
- Pri sljedećoj korisničkoj pobudi, garažna vrata se kreću do gornjeg mehaničkog graničnika (odnosna točka) i tada natrag do gornjeg graničnog položaja.
- Ako nakon toga pogonska rasvjeta trajno svijetli, ponovno provedite postupak puštanja u pogon.

Pomoć kod funkcijskih smetnji

Kako sami možete ukloniti smetnje



Smetnja	Mogući uzroci	Pomoć
Optički pokazivač: Trajno svjetlo nakon uključivanja mrežnog utikača i/ili tijekom puštanja u pogon.	Nije završeno postavljanje graničnih položaja i/ili pokusni rad.	Reset mrežnog utikača: izvući mrežni utikač i ponovno ga utaknuti. Provesti podešavanje graničnog položaja i pokusni rad u skladu s uputom za uporabu.
Pogonska rasvjeta ravnomjerno trepće (takt od 1 sekunde)	Pojavio se slučaj zapreka (npr. zbog prepoznavanja prepreke ili pokretanja sigurnosne naprave kao što su svjetlosna međa, kontakt klizača vrata).	Ukloniti zapreku, otvoriti/zatvoriti garažna vrata.
Pogonska rasvjeta neravnomjerno trepće (tri sekunde ugašeno, jedna sekunda upaljeno).	Pri nadzoru elektroničkih ugradnih dijelova, elektronika je prepoznala nepravilnost.	Reset: Držite istovremeno pritisnutima programske tipke a i b u trajanju od 5 sekundi. (Trepće pogonska rasvjeta). Potvrda reset-a neprekinitim svjetlom. Ponovno podesiti granične položaje i provesti pokusni rad. Programirano u daljinskim upravljačima pri tome neće biti izbrisano. U slučaju da pogonsko osvjetljenje ponovno nepravilno trepće tijekom programiranja graničnih položaja, molimo pozvati korisničku službu.
Pogonska rasvjeta ne svijetli.	Neispravna žarulja.	Zamijeniti.
Pogon garažnih vrata ne radi pri pobuđivanju pomoću daljinskog upravljača.	Baterije daljinskog upravljača su istrošene ili krivo umetnute.	Provjeriti baterije, u slučaju potrebe zamijeniti baterije.
	Nije učitani kod u prijemu.	Prijaviti daljinski upravljač.
Pogon garažnih vrata ne otvara/ne zatvara vrata do kraja.	Postavljanje graničnih položaja. Tijek provjere nije završen.	Provesti do kraja podešavanje graničnih položaja i pokusni rad. Zatim prijaviti daljinski upravljač.
	Oštećenja na mehanici vrata.	Provjeriti mehaniku vrata. Stručna služba za garažna vrata treba obaviti popravak.
	Nepovoljni vanjski uvjeti (npr. jaka kiša) povećali su težinu vrata. Pogon garažnih vrata prepoznaje situaciju kao prepreku.	Ponovno podesiti granične položaje i provesti pokusni rad. Programirano u daljinskim upravljačima pri tome neće biti izbrisano. Ako je smetnja i dalje prisutna, pozvati korisničku službu.
	Nema mrežnog napona (svjetlosna dioda U ne svijetli).	Pozvati električara da provjeri mrežni napon u utičnici.

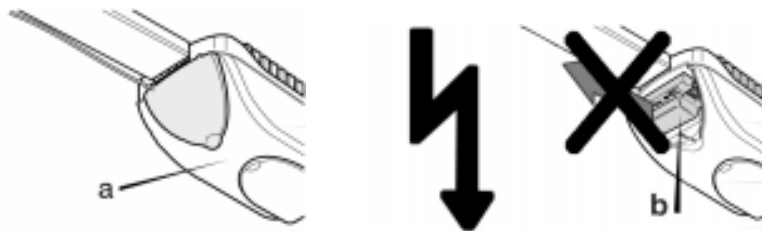
Korisnička služba

Smetnje u području od 230 V smije uklanjati isključivo električar ili ugovorna korisnička služba. Pri ponovnom pojavljivanju istih smetnji ili pojavi drugih, molimo obratite se najbližoj ugovornoj korisničkoj službi.



Pozor!

Pokrovnu kapu (a) smije skidati samo stručno osoblje, prema VDE0100 (opasnost od strujnog udara). U suprotnom jamstvo ne vrijedi.



Opasnost od strujnog udara!

Radove na upravljačkoj elektronici obavljajte isključivo pri isključenom naponu!
Ne izvlačite upravljačku elektroniku!

Pribor

Ovaj pribor možete dobiti u specijaliziranim trgovinama. Daljnje obavijesti o tome rado će Vam dati Vaš prodavač SOMFY pogona za garažna vrata.

Pribor za dodatnu sigurnost

	SOMFY br. artikla	Primjedba
Vanjsko otključavanje u slučaju nužde – za zamašna, sekcionalna i pregibna vrata sa hvatom – za sve vrste najviše prodvanih vrata sa i bez hvata (Brava za otključavanje u slučaju nužde)	9 000 018 9 000 032	Kada ne postoji drugi mogući ulaz u garažu, neizostavno mora biti montirano vanjsko otključavanje u slučaju nužde. Time je omogućeno, npr. pri nestanku električne energije/smetnjama, otvaranje garažnih vrata izvana (ručno).
Kontakt klizača vrata	9 000 007	Sprečava pri otvorenom klizaču vrata (vrata u vratnicama) kretanje vrata pomoću pogona garažnih vrata.
Podno zaključavanje	9 000 003*	
Komplet za zaključavanje bez opruge	9 000 019*	
Postranična brava za zaključavanje vrata	9 000 004*	
Svjetlosna međa	9 000 025	Pri prekidu svjetlosne zrake garažna vrata se odmah zaustavljaju. U smjeru zatvaranja vrata zapreka će biti uklonjena.
Svjetlo upozorenja	9 000 030	

* dodatno potrebna hodalica (broj narudžbe 9000002).

Pribor za veću pogodnost uporabe

	SOMFY br. artikla	Primjedba
Ključno tipkalo sa/bez dodataka	9 000 021	
Unutarnje tipkalo	9 000 008	
Kodno tipkalo	9 000 028	
2-kanalni daljinski upravljač, svjetlo-siv	1 800 037	433,42 MHz
4-kanalni daljinski upravljač, Fun	1 800 035	433,42 MHz
4-kanalni daljinski upravljač, tamno-siv	1 800 029	433,42 MHz

Pribor za posebne uvjete ugradnje

	SOMFY br. artikla	Primjedba
Svodni ovjes (kut)	9 000 034	Za vješanje do max. 270 mm.
Rupičasta šipka za okačivanje pogona garažnih vrata	9 000 001	Ukupna duljina 1 m, za vješanje do max. 400 mm.
Svodni ovjes (teleskop)	9 000 042	Za vješanje do max. 1.500 mm.
Produžetak vodilice	9 000 006 *	Primjena pri širokom nadvoju (do max. 400mm) kada vodilica stoji na nadvoju.
Produžna šipka	9 000 005 *	Potrebna kod premalog razmaka između gornjeg ruba vrata i garažnog pokrova i kada je pogon garažnih vrata u cijelosti postavljen prema natrag (do max. 2,5 m).
Okov krilnih vrata	9 000 009	Širina garažnog krila 1,5 m po krilu. Dodatni savjeti vidjeti u "Primjenjivost".
Okov sekcionalnih vrata	9 000 016	Za segmente vrata visine 300 do 500 mm.
Učvrсни stremen	9 000 040	Za pojačanje gornjeg segmenta odjelnih vrata.
Svinuta vodilica	9 000 023	Za odjelna vrata, kada na segmentu vrata nije potrebna držeća i učvrсна šipka.
Zamašnica	9 000 015	Za pregibna vrata sa okomitim hodnim šipkama.
Komplet za produžnu šipku	9 000 031	Oko max. 700 mm.

* dodatno potrebna hodalica (broj narudžbe 9000002).

Objašnjenje proizvođača



(Vidjeti stranicu 230)

Proizvođač SOMFY GmbH, Felix-Wankel-Strasse 50, D-72108 Rottenburg a. N., ovime izjavljuje:

Pogoni vrata, tipa KEASY L+, KEASY XL+ odgovaraju 99/5/EG, 98/37/EG pravnoj odredbi o strojevima prema DIN EN 12453:2001, DIN EN 60335-1:1995, E DIN EN 60335-2-95:2001.

Savjet:

Puštanje u pogon uređaja za vrata, u koji treba biti ugrađen ovaj pogon za vrata je zabranjen, sve dok ne bude utvrđeno da uređaj za vrata odgovara pravnim odredbama 98/37/EG.

Rottenburg, dana 16.02.2004

Voditelj dizajnerskog centra
i. V. Dieter Thomas

Περιεχόμενα

Περιεχόμενα	174
Χρησιμοποιούμενα σύμβολα σ' αυτές τις οδηγίες χειρισμού	175
Υποδείξεις απόσυρσης	175
Για την ασφάλειά σας	176
Αρμόζουσα χρήση	176
Σημαντικές υποδείξεις ασφαλείας	176
Υπόδειξη για άτομα με βηματοδότη	176
Συστήματα ασφαλείας	176
Προετοιμασία τοποθέτησης	177
Με μια ματιά	177
Τεχνικά χαρακτηριστικά	177
Δυνατότητα χρήσης	178
Μέγιστες διαστάσεις γκαραζόπορτας.....	178
Σταθερότητα υπέρθυρου και οροφής του γκαράζ	178
Υπάρχον μηχανικό σύστημα πόρτας	178
Σύνδεση στο δίκτυο.....	179
Πρόσθετες διατάξεις ασφαλείας.....	179
Οδηγίες τοποθέτησης	179
Σημαντικές οδηγίες για την ασφαλή τοποθέτηση	179
Έλεγχος του περιεχομένου της συσκευασίας.....	179
Καταστάσεις/Παραδείγματα τοποθέτησης	180
Προσυναρμολόγηση του αυτοματισμού γκαραζόπορτας	180
Συναρμολόγηση	181
Οδηγίες ρύθμισης	181
Θέση σε λειτουργία.....	181
Ρύθμιση/Αλλαγή των τερματικών θέσεων της γκαραζόπορτας	182
Προγραμματισμός πομπού χειρός	183
Έλεγχος αναγνώρισης εμποδίου	184
Σύνδεση εξαρτημάτων	184
Προετοιμασία	184
Φωτοκύτταρο, επαφή πόρτας διαφυγής, πήχης επαφής ασφαλείας	185
Εσωτερικό πλήκτρο, πλήκτρο κωδικού, πλήκτρο-κλειδί.....	185
Προειδοποιητική λυχνία	186
Έξοδος 24 V	186
Οδηγίες χειρισμού	186
Άνοιγμα, κλείσιμο ή σταμάτημα γκαραζόπορτας	186
Εσωτερική απασφάλιση ανάγκης	186
Αλλαγή μπαταρίας στον πομπό χειρός	187
Αλλαγή λαμπτήρα πυρακτώσεως	187
Τακτικός έλεγχος	187
Τι συμβαίνει, όταν διακοπεί η τροφοδοσία με ρεύμα;	187
Αντιμέτωπιση λειτουργικών διαταραχών	188
Πώς θα αντιμετωπίσετε μόνες/οι σας βλάβες	188
Υπηρεσία τεχνικής εξυπηρέτησης πελατών.....	189
Εξαρτήματα	189
Εξαρτήματα για πρόσθετη ασφάλεια.....	189
Εξαρτήματα για μεγαλύτερη άνεση χειρισμού.....	190
Εξαρτήματα για ιδιαίτερες συνθήκες τοποθέτησης.....	190
Δήλωση κατασκευαστή	191

Χρησιμοποιούμενα σύμβολα σ' αυτές τις οδηγίες χειρισμού



Προσοχή! Σημαντική υπόδειξη ασφαλείας.

Για την ασφάλεια προσώπων είναι πολύ σημαντικό να τηρούνται αυτές οι υποδείξεις.



Προσοχή! Υπόδειξη ασφαλείας.

Σε περίπτωση μη τήρησης υπάρχει απειλή κινδύνου τραυματισμού ή υλικών ζημιών.



Υπόδειξη:

Δηλώνει συμβουλές εφαρμογών και σημαντικές πληροφορίες.



Κίνδυνος ηλεκτροπληξίας!

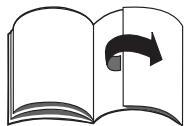
Πριν από όλες τις εργασίες τραβάτε το φως από την πρίζα.



Χρήση μόνο σε στεγνούς χώρους.



Ξεδιπλώστε τις αναδιπλούμενες σελίδες μπροστά.



Ξεδιπλώστε τις αναδιπλούμενες σελίδες πίσω.

1

Δηλώνει τον αριθμό εικόνας στις αναδιπλούμενες σελίδες που αντιστοιχεί σε κάποιες οδηγίες.

- Η κουκκίδα δηλώνει μία οδηγία ενέργειας!
 - Με την παύλα επισημαίνονται σημεία, τα οποία πρέπει να προσεχθούν ιδιαίτερα.

Υποδείξεις απόσυρσης



Παρακαλείσθε να προσέξετε τα εξής σε περίπτωση αντικατάστασης υπάρχοντος αυτοματισμού γκαραζόπορτας:

- Οι παλιές συσκευές δεν αποτελούν άχρηστα απορρίμματα. Με την φιλική προς το περιβάλλον απόσυρση μπορούν να επανακτηθούν πολύτιμες πρώτες ύλες.

Για την προστασία του καινούργιου αυτοματισμού γκαραζόπορτας από τη σκουριά κατά τη μεταφορά και την αποθήκευση μερικά μέρη του είναι λαδωμένα. Αποσύρετε τα λερωμένα με λάδι μέρη της συσκευασίας και τα πανιά που εκκρίπτουν κατά την τοποθέτηση, με τρόπο φιλικό προς το περιβάλλον.

Τα χρησιμοποιούμενα υλικά συσκευασίας είναι φιλικά προς το περιβάλλον και μπορούν να επαναχρησιμοποιηθούν. Αποσύρετε τη συσκευασία με τρόπο φιλικό προς το περιβάλλον.

Οι μπαταρίες του τηλεχειριστηρίου δεν ανήκουν στα οικιακά απορρίμματα.

Σχετικά με τους επίκαιρους τρόπους απόσυρσης απευθυνθείτε στο ειδικό κατάστημα απ' όπου αγοράσατε τη συσκευή ή στην τοπική Δημοτική Αρχή.

Για την ασφάλειά σας

Αρμόζουσα χρήση

Ο αυτοματισμός είναι κατάλληλος για πόρτες βάσει EN 12604 ή αντίστοιχα EN 13241 λαμβάνοντας υπόψη τις δυνάμεις λειτουργίας και υπό τήρηση των οδηγιών χειρισμού.

Χρησιμοποιείτε αυτόν τον αυτοματισμό γκαραζόπορτας αποκλειστικά και μόνο



- για το αυτόματο άνοιγμα και κλείσιμο γκαραζόπορτων,
- σε στεγνούς χώρους,
- για ιδιωτική χρήση,
- σύμφωνα με τις περιγραφές και τις υποδείξεις ασφαλείας που δίνονται σ' αυτές τις οδηγίες χειρισμού.

Κάθε άλλη χρήση πέραν αυτής θεωρείται ως μη αρμόζουσα χρήση.

Σημαντικές υποδείξεις ασφαλείας



Προσοχή!

Για την ασφάλεια προσώπων είναι πολύ σημαντικό να τηρούνται όλες οι οδηγίες:

- Φυλάξτε αυτές τις οδηγίες και σε περίπτωση αλλαγής ιδιοκτήτη τις παραδίδετε σ' αυτόν. Διαβάστε πλήρως αυτές τις οδηγίες πριν την τοποθέτηση και προσέξτε ιδιαίτερα τις υποδείξεις ασφαλείας.
- Ακολουθήστε τα βήματα εργασίας στην περιγραφείσα σειρά και εξοικειωθείτε με τον χειρισμό.
- Χρησιμοποιήστε αποκλειστικά το επισυναπτόμενο ή συνιστώμενο υλικό στερέωσης, γνήσια ανταλλακτικά και εξαρτήματα.
- Κατατοπίστε όλους τους χρήστες με τη θέση σε λειτουργία σχετικά με τη λειτουργία και τον χειρισμό του αυτοματισμού.
- Στις άκρες που εφαρμόζουν και στο μηχανικό σύστημα της γκαραζόπορτας υφίσταται κίνδυνος σύνθλιψης και ακρωτηριασμού. Ανοίγετε και κλείνετε την γκαραζόπορτα μόνον, όταν η κίνηση της πόρτας είναι ορατή και δεν βρίσκονται εκεί πρόσωπα.
- Φυλάτε τον πομπό χειρός σε μέρος, ώστε να αποκλείεται η αθέλητη λειτουργία, π.χ. από παιδιά που παίζουν.
- Τοποθετήστε τον αυτοματισμό μόνον σε σωστά ευθυγραμμισμένες και ζυγοσταθμισμένες γκαραζόπορτες. Η πόρτα που δεν είναι σωστά ευθυγραμμισμένη, θα μπορούσε να προκαλέσει τραυματισμούς.
- Πριν από τις εργασίες στην πόρτα ή στον αυτοματισμό τραβάτε πάντοτε το φως από την πρίζα.
- Σε περίπτωση που το τροφοδοτικό καλώδιο φέρει ζημιές, φροντίστε άμεσα για την αλλαγή του (μόνο από ηλεκτρολόγο).
- Μη βάζετε τα χέρια σας ποτέ στην κινούμενη πόρτα ή σε κινούμενα μέρη.



Υπόδειξη για άτομα με βηματοδότη

Η εκπεμπόμενη ισχύς του πομπού χειρός βρίσκεται εντός των σχετικών προτύπων και είναι βασικά ακίνδυνη. Για να αποκλειστεί το ελάχιστο υπόλοιπο ρίσκο, σας συνιστούμε προληπτικά να μην χειρίζεστε τον πομπό χειρός απευθείας στο σώμα. Για την ασφάλειά σας κρατάτε τον πομπό χειρός με τον βραχίονα σε έκταση προς την κατεύθυνση της γκαραζόπορτας και πατάτε το πλήκτρο.

Συστήματα ασφαλείας



Τα συστήματα ασφαλείας σας προστατεύουν από τραυματισμό ή υλικές ζημιές.

Μη θέτετε τα συστήματα ασφαλείας ποτέ εκτός ισχύος ούτε να τα παραγκωνίσετε εσκεμμένα.

Αυτόματη αναγνώριση εμποδίου

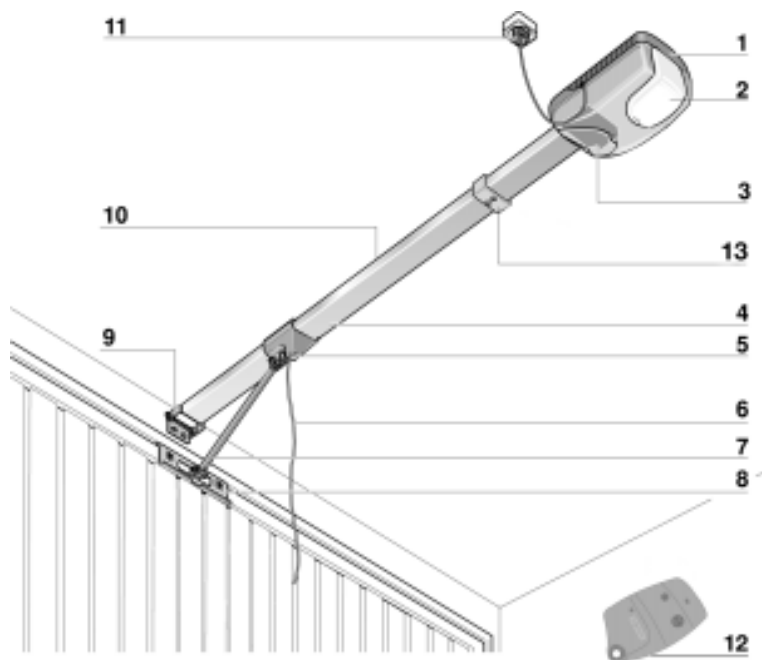
Κατά την πρόσκρουση σε εμπόδιο κατά την κίνηση ανοίγματος της πόρτας σταματά η κίνηση της γκαραζόπορτας.

Κατά την πρόσκρουση σε εμπόδιο κατά την κίνηση κλεισίματος της πόρτας ελευθερώνεται στη συνέχεια το εμπόδιο, η γκαραζόπορτα οδηγείται ως το άνω μηχανικό τερματικό στοπ (σημείο αναφοράς) και κατόπιν πίσω ως την προγραμματισμένη άνω τερματική θέση.

- Ελέγχετε τη λειτουργία τουλάχιστον μία φορά κάθε μήνα (βλ. κεφάλαιο "Θέση σε λειτουργία"). Επιλέν σας συνιστούμε την τοποθέτηση περαιτέρω συστημάτων ασφαλείας (βλ. "Εξαρτήματα").

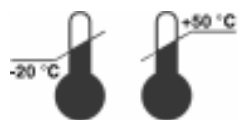
Προετοιμασία τοποθέτησης

Με μια ματιά



- | | |
|---------------------------------|---|
| 1. Κεφαλή κίνησης | 8. Γωνιά στερέωσης, φύλλο πόρτας |
| 2. Φωτισμός του αυτοματισμού | 9. Γωνιά συγκράτησης, υπέρθυρο/οροφή |
| 3. Ηλεκτρονικό σύστημα | 10. Αλυσίδα με εκτροπή αλυσίδας (καλυμμένη) |
| 4. Οδηγός ράγα | 11. Φις |
| 5. Φορείο | 12. Πομπός χειρός |
| 6. Εσωτερική απασφάλιση ανάγκης | 13. Μηχανικό τερματικό στοπ |
| 7. Βραχίονας οδήγησης | |

Τεχνικά χαρακτηριστικά



	KEASY L [⊕]	KEASY XL [⊕]
Βάρος	~ 15 kg	~ 15 kg
Ωστική δύναμη/Δύναμη έλξης	έως 500 N χωρίς διαβαθμίσεις ¹⁾	έως 700 N χωρίς διαβαθμίσεις ¹⁾
Μαλακή εκκίνηση/Μαλακό σταμάτημα	ναι, χωρίς διαβαθμίσεις	ναι, χωρίς διαβαθμίσεις
Περιοχή θερμοκρασίας	-20 °C.....+50 °C	-20 °C.....+50 °C
Διαστάσεις		
Μήκος τοποθέτησης	3,30 m	3,30 m
Μήκος ανύψωσης	2,50 m ²⁾	2,50 m ²⁾
Ηλεκτρική εγκατάσταση		
Τροφοδοσία ρεύματος	230 V/50 Hz~	230 V/50 Hz~
Μέγιστη απορροφούμενη ισχύς	300 W	300 W
Κατανάλωση Standby	< 4 W	< 4 W
Είδος προστασίας	IP 20	IP 20
Τρόπος λειτουργίας	S2 βραχύχρονη λειτουργία	S2 βραχύχρονη λειτουργία
Λαμπτήρας πυρακτώσεως	max. 40 W/E14	max. 40 W/E14
Ραδιοσυχνότητα	FM 433,42 MHz	FM 433,42 MHz

1) "αυτοδίδακτη" (προσαρμόζεται αυτόματα)

2) 3,00 m με επιμήκυνση ράγας

Δυνατότητα χρήσης

KEASY L⁺ / KEASY XL⁺

Μπορεί να χρησιμοποιηθεί για:

- αναδιπλούμενες στην οροφή πόρτες (σε ένα φύλλο),
 - κυλιόμενες (σπαστές) γκαραζόπορτες οροφής (απαιτείται ρεζές κυλιόμενης πόρτας οροφής, βλ. "Εξαρτήματα"),
 - δίφυλλες πόρτες (απαιτείται ρεζές δίφυλλης πόρτας, βλ. "Εξαρτήματα").
- Πρόσθετα πρέπει να αλλάχτει η κατεύθυνση πορείας της κίνησης. Τις γι' αυτό απαραίτητες πληροφορίες μπορείτε να πάρετε μέσω του ειδικού καταστήματος, απ' όπου αγοράσατε τον αυτοματισμό ή από την πλησιέστερη συμβεβλημένη υπηρεσία τεχνικής εξυπηρέτησης πελατών. (Βλ. επίσης Οδηγίες χειρισμού για τον ρεζέ της δίφυλλης πόρτας)

KEASY XL⁺

Μπορεί να χρησιμοποιηθεί για:

- γκαραζόπορτες οροφής που δεν εξέχουν από το επίπεδο της εισόδου (απαιτείται βραχίονας ανύψωσης, βλ. "Εξαρτήματα"),
- κυλιόμενες πόρτες σε πλευρικό οδηγό (απαιτείται ρεζές).

Μέγιστες διαστάσεις γκαραζόπορτας

	KEASY L ⁺	KEASY XL ⁺
Επιφάνειες ελαφριές πόρτες, π.χ. από λαμαρίνα βαριές πόρτες, π.χ. από ξύλο	έως 7,5 m ² έως 6,0 m ²	έως 12,0 m ² έως 7,5 m ²
Ύψη Κυλιόμενες (σπαστές) γκαραζόπορτες οροφής Λοιπές γκαραζόπορτες Με σετ επιμήκυνσης ράγας (βλ. "Εξαρτήματα")	έως 2,3 m έως 2,3 m άνω των 2,3 έως 3,0 m	έως 2,3 m έως 2,3 m άνω των 2,3 έως 3,0 m

Σταθερότητα υπέρθρου και οροφής του γκαράζ

Ελάχιστη ικανότητα φόρτωσης υπέρθρου και οροφής:

- KEASY L⁺: 700 N
- KEASY XL⁺: 900 N



Προσέξτε το πάχος οροφής κατά το τρύπημα (π.χ. οροφές από μπετόν προκατασκευασμένων γκαράζ)!

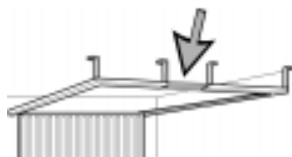
Απαραίτητο βάθος τρύπας για τα συμπαραδιδόμενα ούπατ και βίδες: **53 mm**

Μαζί με τον αυτοματισμό παραδίδονται στάνταρ ούπατ μάρκας. Αν χρειάζεται χρησιμοποιήστε ειδικά ούπατ, τα οποία είναι κατάλληλα για τον τοίχο και την οροφή.

Υπάρχον μηχανικό σύστημα πόρτας

Μπορείτε να ανοίγετε και να κλείνετε την γκαραζόπορτα εύκολα με το χέρι, χωρίς να στραβοπιάνει; Αν όχι φροντίστε να επισκευαστεί το μηχανικό σύστημα της γκαραζόπορτας από τον ειδικό.

Σε περίπτωση που οι οδηγοί ράγες της γκαραζόπορτας είναι σταθεροποιημένες με εγκάρσια σύνδεση, μπορεί να προσκρούσει ο βραχίονας οδήγησης του αυτοματισμού γκαραζόπορτας σ' αυτή την εγκάρσια σύνδεση. Σε τέτοιες περιπτώσεις μπορείτε να διακόψετε τη σύνδεση και να την αφαιρέσετε εν μέρει, βλ παράδειγμα στην εικόνα. Για να αποκατασταθεί η σταθερότητα, στερεώστε τα παραμένοντα μερικά τεμάχια στην οροφή.



Σύνδεση στο δίκτυο

Υπάρχει σύνδεση στο δίκτυο 230 V στην απαιτούμενη απόσταση από τον αυτοματισμό;

- Μήκος του τροφοδοτικού καλωδίου: **περ. 1 m**

Αν όχι, φροντίστε να γίνει η ανάλογη εγκατάσταση από ηλεκτρολόγο.



Πρόσθετες διατάξεις ασφαλείας

Εξωτερική απασφάλιση ανάγκης



Αν δεν υπάρχει άλλη πρόσβαση στο γκαράζ, πρέπει να τοποθετηθεί οπωσδήποτε μία εξωτερική απασφάλιση ανάγκης (βλ. "Εξαρτήματα"). Έτσι μπορεί να ανοιχτεί η γκαραζόπορτα απ' έξω (με το χέρι) π.χ. σε περίπτωση διακοπής ρεύματος/βλάβης.

Μηχανικό τερματικό στοπ



Για τη θέση σε λειτουργία και την απρόσκοπτη λειτουργία σε περίπτωση πρόσκρουσης σε εμπόδιο πρέπει να περιοριστεί η κίνηση της γκαραζόπορτας οπωσδήποτε μέσω μονίμου μηχανικού τερματικού στοπ (παραδίδεται μαζί με τον αυτοματισμό).

Ασφάλιση πόρτας



Ο αυτοματισμός γκαραζόπορτας είναι αυτοανασταλτικός και κρατάει την πόρτα κλειστή. Αυτοματοποιήστε, απομακρύνετε ή απενεργοποιήστε τις υπάρχουσες ασφαλίσες και κλειδώματα της γκαραζόπορτας (βλ. "Εξαρτήματα").

Οδηγίες τοποθέτησης

Σημαντικές οδηγίες για την ασφαλή τοποθέτηση



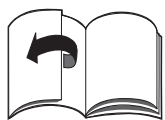
Προσοχή!

Η μη σωστή τοποθέτηση μπορεί να οδηγήσει σε σοβαρούς τραυματισμούς. Ακολουθήστε όλες τις οδηγίες τοποθέτησης! Η βοήθεια ενός άλλου προσώπου διευκολύνει την τοποθέτηση.



Προσοχή!

Κατά την διάνοιξη οπών πάνω από το κεφάλι φοράτε προστατευτικά ματογυάλια. Για την προστασία από σκόνη καλύψτε την κεφαλή κίνησης, προτού τρυπήσετε.



Έλεγχος του περιεχομένου της συσκευασίας

Για να μπορέσετε να τοποθετήσετε τον αυτοματισμό χωρίς διακοπές, ελέγξτε πριν την τοποθέτηση το περιεχόμενο της συσκευασίας για

- την πληρότητα των μερών,
- την καλή κατάσταση των μερών.

Μην τοποθετήσετε χαλασμένα ή κατεστραμμένα μέρη! Σχετικά απευθυνθείτε στο ειδικό κατάστημα.



Υπόδειξη:

Τα μέρη από αφρολέξ **AA** χρησιμεύουν για την απόσβεση των θορύβων της αλυσίδας.



Ετοιμάστε όλα τα εργαλεία που είναι απαραίτητα για την τοποθέτηση.

Καταστάσεις/Παραδείγματα τοποθέτησης

Πού πρέπει να τοποθετηθούν η γωνιά συγκράτησης (ρεζές) υπέρθυρου/οροφής και η κεφαλή κίνησης;

(Στο παράδειγμα μιας αναδιπλούμενης στην οροφή πόρτας (σε ένα φύλλο))



3

Για την ιδανική μετάδοση δύναμης ο αυτοματισμός γκαραζόπορτας θα πρέπει να τοποθετηθεί όσο το δυνατόν πιο κοντά πάνω από το υψηλότερο σημείο της τροχιάς της πόρτας.

- Καθορίστε το υψηλότερο σημείο της τροχιάς της πόρτας **a** (**a** = η ελάχιστη απόσταση από το φύλλο της πόρτας ως το ταβάνι του γκαράζ). Ανάλογα με την υπολογισμένη διάσταση υπάρχουν διάφορες δυνατότητες τοποθέτησης.

4

1. Διάσταση **a** από 38 mm έως 140 mm

- Συναρμολογήστε τον αυτοματισμό γκαραζόπορτας στην οροφή.
- Στερεώστε τη γωνιά τοποθέτησης υπέρθυρο/οροφή (ρεζές) στο υπέρθυρο ή στην οροφή (κατά προτίμηση στο υπέρθυρο).
- Σε περίπτωση τοποθέτησης στο υπέρθυρο τηρήστε απόσταση 15 mm.

5

2. Διάσταση **a** μεγαλύτερη από 140 mm

- Τοποθετήστε τη γωνιά τοποθέτησης υπέρθυρο/οροφή (ρεζές) στο υπέρθυρο με απόσταση 50 mm μεταξύ της κάτω άκρης της ράγας και του υψηλότερου σημείου τροχιάς της πόρτας.
- Αναρτήστε τον αυτοματισμό στην οροφή (απαραίτητη διάτρητη ράγα, βλ. "Εξαρτήματα").

6

3. Διάσταση **a** μικρότερη από 38 mm

- Τοποθετήστε τη γωνιά τοποθέτησης υπέρθυρο/οροφή (ρεζές) και τον αυτοματισμό της γκαραζόπορτας πίσω από την ανπιχτή γκαραζόπορτα στην οροφή (απαραίτητη ράβδος επιμήκυνσης, βλ. "Εξαρτήματα"). Προσέξτε το συνολικό μήκος.

Προσυναρμολόγηση του αυτοματισμού γκαραζόπορτας



7

- Περάστε τα τεμάχια σύνδεσης ραγών **B** ως τα στοπ στη ράγα οδήγησης **A** και συνδέστε τα μέρη της ράγας οδήγησης.
- Τσακίστε στη δίπλωση τα λευκά ενθέματα από αφρολέξ για την απόσβεση θορύβων **AA**.
- Μαγκώστε τις αποσβέσεις θορύβων στο κέντρο των 4 ραγών οδήγησης **A**.
- Ωθήστε την προσυναρμολογημένη ράγα οδήγησης στην κεφαλή κίνησης **C**.

8

- Ωθήστε το φορείο **D** στην οδηγό ράγα.
- Συναρμολογήστε την εμπρόσθια εκτροπή αλυσίδας **E, F, G** και ωθήστε την στην οδηγό ράγα.

9

- Για την εύκολη εκτύλιξη της αλυσίδας **J** μπορεί να αποχωριστεί το καπάκι της συσκευασίας μικρών τεμαχίων και να χρησιμοποιηθεί ως υπόθεμα.
- Σκουπίστε με ένα πανί το πλεονάζον λάδι από την αλυσίδα.

10

- Ξετυλίξτε την αλυσίδα στην οδηγό ράγα.
 - Περάστε οπωσδήποτε την αλυσίδα μέσα από το φορείο **D** στην πλευρά του κόμπλερ **I**. Για τον σκοπό αυτό αποζεύξτε το φορείο (ο μεταλλικός μοχλός πρέπει να κουμπώσει στον πλαστικό μοχλό).
- Συνδέστε το κόμπλερ **I** στις δύο πλευρές μέσω της κλειδαριάς αλυσίδας **H** με την αλυσίδα **J**.



11

- Για την τοποθέτηση της αλυσίδας στην εκτροπή αλυσίδας **F** πρέπει να πιεστεί με δύναμη μαζί το ελατήριο **E**. Χρησιμοποιήστε ως βοήθημα τον βραχίονα οδήγησης **M**.
 - Η αλυσίδα πρέπει να τοποθετηθεί σωστά μέσα στην οδήγησή της και δεν επιτρέπεται να έχει στριφτεί.

12

- Στερεώστε το σκοινί απασφάλισης ανάγκης **O**.
- Τοποθετήστε από πάνω το κάλυμμα του τροχίσκου **N**.

Συναρμολόγηση



13

- Συναρμολογήστε τη γωνιά στερέωσης στο πλαίσιο του φύλλου της πόρτας **K**.
 - Τοποθετήστε τις βίδες στερέωσης οριζόντια ή κάθετα.

14

- Συναρμολογήστε τη γωνιά στερέωσης **L** ανάλογα με την κατάσταση τοποθέτησης στην οροφή ή στο υπέρθυρο (βλ. "Καταστάσεις/Παραδείγματα τοποθέτησης"). Βάθος της τρύπας 5,3 cm.

15

- Αφαιρέστε το κλαπέτο επικάλυψης.
- Συνδέστε τον αυτοματισμό γκαραζόπορτας με τη γωνιά συγκράτησης.
 - Σφίξτε λίγο τη βίδα. Η βίδα επιτρέπεται να έχει τζόγο, γιατί το παξιμάδι είναι αυτοασφαλιζόμενο.

16

- Στερεώστε την κεφαλή κίνησης στην οροφή, βάθος της τρύπας 5,3 cm.
 - Προσέξτε την κεντρική ευθυγράμμιση της κεφαλής κίνησης προς την γκαραζόπορτα (πρβλ. γωνιά στερέωσης **K** στο φύλλο της πόρτας)!

17

- Συνδέστε τον βραχίονα οδήγησης **M** με τη γωνιά στερέωσης στο φύλλο της πόρτας (μέσω **Q**, **Y**) και το φορείο. Οι βίδες επιτρέπεται να έχει τζόγο, γιατί τα παξιμάδια είναι αυτοασφαλιζόμενα.

Σε πόρτες χωρίς σταθερό μηχανικό τερματικό στοπ συναρμολογήστε τη γωνιά τερματικού στοπ **Z** ως εξής:

- Ανοίξτε τελείως την γκαραζόπορτα. Η θέση τοποθέτησης της γωνιάς τερματικού στοπ βρίσκεται σε τελείως ανοιγμένη πόρτα αμέσως πίσω από το φορείο.
- Σχεδιάστε τις τρύπες και ανοίξτε τις στη συνέχεια με μεταλλικό τρυπάνι διαμέτρου 3,6 mm.
- Συναρμολογήστε τη γωνιά τερματικού στοπ μέσω των λαμαρινόβιδων **ZZ**.

18

- Ελέγξτε την τροχιά της πόρτας με το χέρι. Για τον σκοπό αυτό πρέπει το φορείο να είναι απασφαλισμένο.
- Ανοίξτε τελείως την γκαραζόπορτα και κλείστε την.
- Προετοιμάστε τον αυτοματισμό γκαραζόπορτας με κλειστή την γκαραζόπορτα για τη ζεύξη, για τον σκοπό αυτό πιέστε τον πλαστικό μοχλό προς τα κάτω. Η ασφάλιση απενεργοποιείται, μόλις ξεκουμπώσει ο μεταλλικός μοχλός. Στη συνέχεια φέρτε την γκαραζόπορτα με το χέρι στη θέση ανοίγματος της πόρτας, δηλ. το φορείο έχει ζεύξη στο κόμπλερ.

Οδηγίες ρύθμισης

Θέση σε λειτουργία



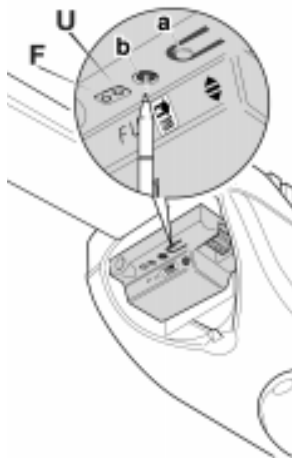
Κίνδυνος τραυματισμού!

Κατά τη θέση σε λειτουργία και κατά τη ρύθμιση κρατάτε πρόσωπα και αντικείμενα μακριά από την πορεία κίνησης της γκαραζόπορτας.



Υπόδειξη:

Ο διαρκής φωτισμός μπορεί να θερμάνει ισχυρά το κάλυμμα του φωτισμού του αυτοματισμού. Για τον λόγο αυτό εκτελέστε τη θέση σε λειτουργία χωρίς κάλυμμα.



- Βάλτε το φως στην πρίζα. Ο φωτισμός του αυτοματισμού είναι διαρκώς αναμμένος.
- Ελέγξτε, αν το κόμπλερ έχει κουμπώσει στην αλυσίδα στο φορείο. Η γκαραζόπορτα δεν επιτρέπεται να μπορεί να κινηθεί με το χέρι.

- F** Φωτοдиодος, ανάβει κατά τη λήψη ραδιοσήματος
- U** Φωτοдиодος, ανάβει σε περίπτωση υπάρχουσας τάσης δικτύου
- a** Πλήκτρο χειρισμού
- b** Πλήκτρο προγραμματισμού

Ρύθμιση/Αλλαγή των τερματικών θέσεων της γκαραζόπορτας

Η διαδικασία περιέχει πάντοτε τη ρύθμιση της άνω και κάτω τερματικής θέσης καθώς και τη δοκιμαστική λειτουργία.

Ως **άνω τερματική θέση** ορίζεται η θέση του φορείου με τελειώς ανοιγμένη την πόρτα.

Ως **κάτω τερματική θέση** ορίζεται η θέση του φορείου με τελειώς κλεισμένη την πόρτα.

Η διαδικασία ρύθμισης πρέπει να εκτελείται με την προκαθορισμένη σειρά και έχει ολοκληρωθεί, όταν σβήσει ο φωτισμός του αυτοματισμού. Μόνον τότε μπορεί να γίνει αναγγελία του πομπού χειρός.



Προσοχή!

Πρέπει να υπάρχει σταθερό τερματικό στοπ ως όριο της πορείας της πόρτας (άνω τερματική θέση), γιατί διαφορετικά εξακολουθεί να λειτουργεί ο αυτοματισμός και μπορεί να προξενήσει ζημιά στο μηχανικό σύστημα της πόρτας.

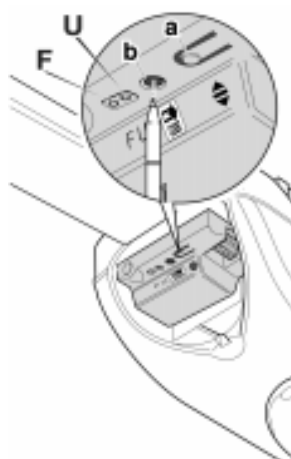


Υπόδειξη:

Πατήστε το πλήκτρο προγραμματισμού **μόνον ελαφρά** (π.χ. με ένα στυλό).

Για τη διακοπή της διαδικασίας ρύθμισης τραβήξτε το φιν από την πρίζα. Αφού ξανατοποθετηθεί το φιν μέσα στην πρίζα, πρέπει να ξεκινήσετε εκ νέου με τη διαδικασία ρύθμισης.

Η ελάχιστη απόσταση μεταξύ της άνω και κάτω τερματικής θέσης είναι 30 cm. Μικρότερη απόσταση δεν μπορεί να προγραμματιστεί.



1. Ρύθμιση άνω τερματικής θέσης

- Πατήστε το πλήκτρο προγραμματισμού **b** τουλάχιστον επί 2 δευτερόλεπτα (στυλό), μέχρι να σβήσει ο φωτισμός του αυτοματισμού.
 - Ο φωτισμός του αυτοματισμού ξαναξεκινά.
 - Αν ο φωτισμός αναβοσβήνει, το πλήκτρο προγραμματισμού πατήθηκε μόνο για λίγο. Στην περίπτωση αυτή τραβήξτε το φιν από την πρίζα και ξανατοποθετήστε το. Ρυθμίστε τις τερματικές θέσεις και ξεκινήστε από την αρχή.
- Πατήστε για λίγο το πλήκτρο χειρισμού **a** (περ. 1 δευτερόλεπτο).
 - Ο αυτοματισμός της γκαραζόπορτας κινείται προς την κατεύθυνση ανοίγματος της πόρτας ως το μηχανικό τερματικό στοπ και από εκεί περ. 5 cm προς τα πίσω.
 - Η διόρθωση αυτής της θέσης είναι δυνατή. Για τον σκοπό αυτό πατήστε το πλήκτρο χειρισμού **a** και κρατήστε το πατημένο, μέχρι να επιτευχθεί η επιθυμητή θέση. Με κάθε πάτημα του πλήκτρου αλλάζει η κατεύθυνση κίνησης.
- Όταν ρυθμιστεί η επιθυμητή τερματική θέση:
 - Πατήστε το πλήκτρο προγραμματισμού **b**, μέχρι να σβήσει ο φωτισμός του αυτοματισμού.
 - Ο φωτισμός του αυτοματισμού ξαναξεκινά.

Η άνω τερματική θέση είναι αποθηκευμένη στη μνήμη της συσκευής.

2. Ρύθμιση κάτω τερματικής θέσης

- Πατήστε το πλήκτρο χειρισμού **a** και κρατήστε το πατημένο, μέχρι να κλείσει τελειώς η γκαραζόπορτα (μηχανικό στοπ).
 - Η κάτω τερματική θέση μπορεί αν χρειάζεται να αλλαχτεί μέσω του πλήκτρου χειρισμού **a**, βλ. ανωτέρω.
 - Για να μην καταπονείται άσκοπα το μηχανικό σύστημα της πόρτας, ρυθμίστε την κάτω τερματική θέση έτσι, ώστε να εμποδίζεται η ισχυρή πίεση της πόρτας στο μηχανικό στοπ.
- Πατήστε το πλήκτρο προγραμματισμού **b**, μέχρι να σβήσει ο φωτισμός του αυτοματισμού.
 - Ο φωτισμός του αυτοματισμού ξαναβεί.

Η κάτω τερματική θέση είναι αποθηκευμένη στη μνήμη της συσκευής.

3. Εκτέλεση δοκιμαστικής λειτουργίας

- Πατήστε για λίγο το πλήκτρο χειρισμού **a** και περιμένετε, μέχρι να ανοίξει τελειώς η γκαραζόπορτα.
- Πατήστε το πλήκτρο χειρισμού **a** εκ νέου και περιμένετε, μέχρι να κλείσει τελειώς η γκαραζόπορτα.
 - Ο φωτισμός του αυτοματισμού σβήνει.

Η διαδικασία ρύθμισης ολοκληρώθηκε. Σε περίπτωση που η δοκιμαστική λειτουργία δεν ολοκληρώθηκε με επιτυχία, πρέπει να επαναλάβετε τη διαδικασία ρύθμισης. Η δοκιμαστική λειτουργία είναι πλήρης, μόνον όταν δεν διακοπεί. Κατά τη δοκιμαστική λειτουργία ο αυτοματισμός της γκαραζόπορτας λειτουργεί με πλήρη ισχύ και "μαθαίνει" αυτόματα την απαιτούμενη δύναμη για το άνοιγμα και το κλείσιμο. Σε κάθε επόμενη λειτουργία η δύναμη ρυθμίζεται συμπληρωματικά αυτόματα (σημαντικό π.χ. τον χειμώνα, όταν η γκαραζόπορτα κινείται λίγο δυσκολότερα).

Προγραμματισμός πομπού χειρός

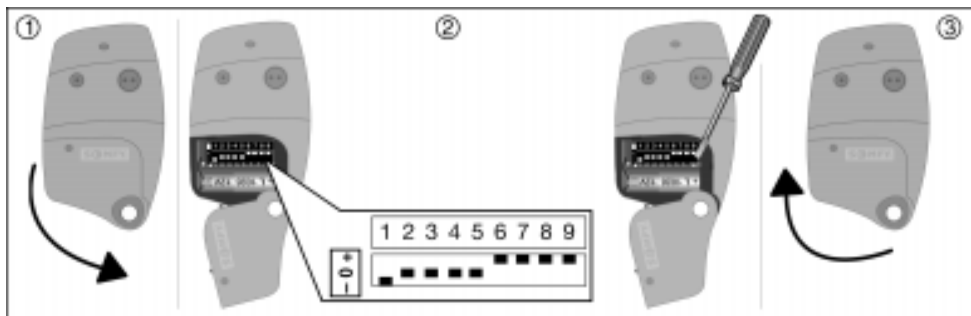
1. Ρύθμιση κωδικού ασφαλείας



Υπόδειξη σχετικά με το **σύστημα ασφαλείας Somfy**:

Για λόγους ασφαλείας πρέπει να έχει ρυθμιστεί τουλάχιστον ένας διακόπτης στο + ή στο 0, ώστε ο πομπός χειρός να μπορεί να "μάθει" από τον αυτοματισμό. Αυτό σημαίνει, ότι ο κωδικός ασφαλείας "-----" δεν ισχύει.

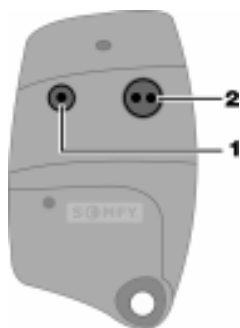
Κωδικοποιήστε τον πομπό χειρός με τον προσωπικό σας κωδικό ασφαλείας. Σχετικά:



- Αφαιρέστε το κάλυμμα του πομπού χειρός (1).
- Ρυθμίστε τον επιθυμητό κωδικό, π.χ. με ένα κατσαβίδι (2).
 - Ρυθμίστε έναν ελεύθερα επιλεγμένο αριθμό διακοπών μεταξύ 1 και 9 στο + / - ή 0.
- Κλείστε το κάλυμμα του πομπού χειρός.

Ο πομπός χειρός μπορεί τώρα να "μάθει" από τον αυτοματισμό της γκαραζόπορτας (να προσαρμοστεί σ' αυτόν).

2. Προσαρμογή του πομπού χειρός στον αυτοματισμό της γκαραζόπορτας (προγραμματισμός)

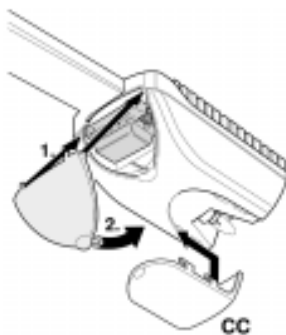


Προτού αρχίζετε με τον προγραμματισμό του πομπού χειρός, καθορίστε ένα από τα δύο πλήκτρα **1** και **2** του πομπού χειρός ως πλήκτρο χειρισμού. Μόνο μέσω αυτού του πλήκτρου μπορείτε να χειριστείτε κατόπιν τον αυτοματισμό της γκαραζόπορτας. Το πλήκτρο αυτό ονομάζεται στην ακόλουθη περιγραφή "Πλήκτρο 1".

- Πιέστε για λίγο το πλήκτρο προγραμματισμού **b** στον αυτοματισμό της γκαραζόπορτας (περ. 1 δευτερόλεπτο).
 - Ο φωτισμός του αυτοματισμού ανάβει.
 - Αν ο φωτισμός του αυτοματισμού είναι διαρκώς αναμμένος, τότε πατήθηκε για πολύ το πλήκτρο προγραμματισμού. Στην περίπτωση αυτή τραβήξτε το φως από την πρίζα και ξαναβάλτε το. Επαναλαμβάνετε τον προγραμματισμό του πομπού χειρός.
- Πατήστε το επιθυμητό πλήκτρο 1 στον πομπό χειρός τουλάχιστον επί 2 δευτερόλεπτα, μέχρι να σβήσει ο φωτισμός του αυτοματισμού και στη συνέχεια να αναβοσβήνει εκ νέου.
- Πατήστε το ίδιο πλήκτρο στον πομπό χειρός επί περ. 2 δευτερόλεπτα εκ νέου, μέχρι να σβήσει ο φωτισμός του αυτοματισμού και στη συνέχεια να ανάψει για λίγο.

Ο πομπός χειρός προσαρμόστηκε στον αυτοματισμό.

- Μετά τη λήξη της διαδικασίας προγραμματισμού τοποθετήστε τα καλύμματα του ηλεκτρονικού συστήματος και του φωτισμού του αυτοματισμού **CC**.



3. Περαιτέρω πομποί χειρός

Μετά τον προγραμματισμό ενός πομπού χειρός, μπορείτε να χρησιμοποιήσετε χωρίς προγραμματισμό και άλλους πομπούς χειρός υπό τις ακόλουθες προϋποθέσεις:

- Έχει ρυθμιστεί ο ίδιος κωδικός ασφαλείας.
- Χρησιμοποιείται το ίδιο πλήκτρο χειρισμού (πλήκτρο 1).

4. Ακύρωση του πομπού χειρός

Ο προγραμματισμός κάθε πομπού χειρός μπορεί να ακυρωθεί, αντικαθιστώντας τις μέχρι τώρα αποθηκευμένες τιμές.

Αυτό γίνεται:

- προγραμματίζοντας ένα νέο πλήκτρο χειρισμού του πομπού χειρός ή
- όταν προγραμματίσετε έναν πομπό χειρός με νέο κωδικό ασφαλείας (βλ. "Ρύθμιση κωδικού ασφαλείας").



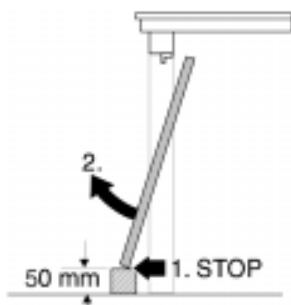
Υπόδειξη:

Η ακύρωση ενός πομπού χειρός σημαίνει την ακύρωση όλων των πομπών χειρός, οι οποίοι είναι προγραμματισμένοι με τον ίδιο κωδικό ασφαλείας ή αντίστοιχα με το ίδιο πλήκτρο χειρισμού.

Έλεγχος αναγνώρισης εμποδίου

Κατά τη θέση σε λειτουργία και κατόπιν τουλάχιστον 1 φορά κάθε μήνα:

- Παρεμβάλετε κατάλληλο αντικείμενο ύψους τουλάχιστον 50 mm (π.χ. ξύλινος τάκος) στην πορεία κίνησης της γκαραζόπορτας (κίνηση κλεισίματος πόρτας).
- Θέτετε τον αυτοματισμό γκαραζόπορτας σε λειτουργία.
 - Κατά την πρόσκρουση στο αντικείμενο σταματά η γκαραζόπορτα, οδηγείται ως το άνω μηχανικό τερματικό στοπ και κατόπιν πίσω στην προγραμματισμένη άνω τερματική θέση.
 - Ο φωτισμός του αυτοματισμού αναβοσβήνει με χρονισμό ενός δευτερολέπτου.
- Με την εκ νέου θέση του αυτοματισμού της γκαραζόπορτας σε λειτουργία σταματά το αναβόσβημα.
 - Αν αυτό δεν συμβεί, παρακαλείσθε να απευθυνθείτε στην υπηρεσία σέρβις.



Σύνδεση εξαρτημάτων

Προετοιμασία



Κίνδυνος ηλεκτροπληξίας

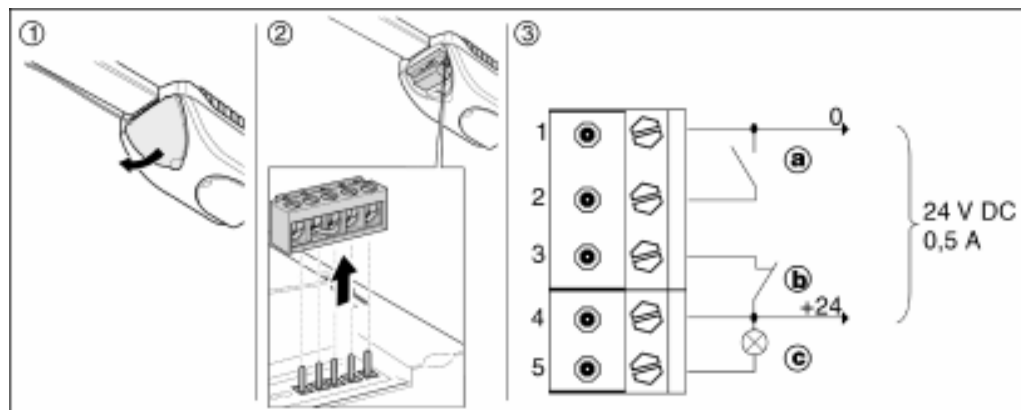
Πριν τη σύνδεση εξαρτημάτων, τραβάτε το φως από την πρίζα.



Προσοχή!

Συνδέετε μόνο γνήσια εξαρτήματα σύμφωνα με τις οδηγίες. Επαφές χωρίς δυναμικό – μην εφαρμόζετε ξένη τάση!

- Αφαιρέστε το κλαπέτο επικάλυψης του ηλεκτρονικού συστήματος (1).

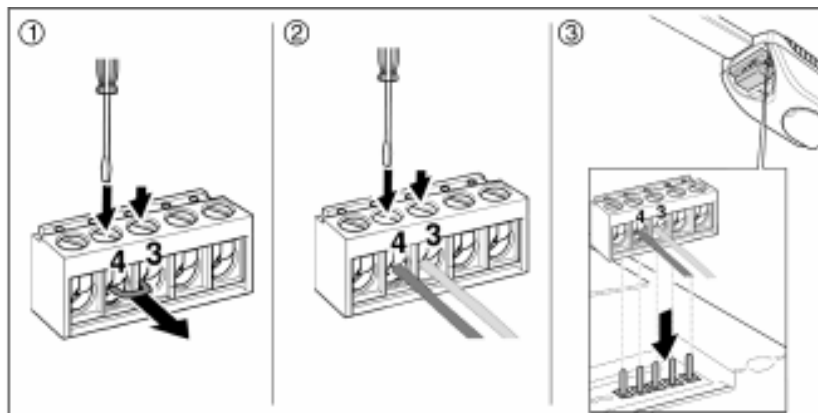


- Για τη σύνδεση των αγωγών σύνδεσης βγάλτε τον πήχη ακροδεκτών (2).
Κατάληψη σύνδεσης (3):
 - **a** Σύνδεση πλήκτρου
 - **b** Σύνδεση φωτοκυττάρου
 - **c** Σύνδεση προειδοποιητικής λυχνίας



Προσοχή!

Τα εξαρτήματα ασφαλείας πρέπει να συνδέονται από εξειδικευμένο συνεργείο.



- Ανοίξτε τους ακροδέκτες σύνδεσης 3 και 4 (μικρό κατσαβίδι) (1). Αφαιρέστε τη συρμάτινη γέφυρα.
- Περάστε τους αγωγούς σύνδεσης στο 3 και 4, σφίξτε γερά (2).
- Επανατοποθετήστε τον πήχη ακροδεκτών (3).
- Βάλτε το φιν στην πρίζα, ελέγξτε τη λειτουργία.



Υπόδειξη:

Σε περίπτωση που χρησιμοποιούνται περισσότερα εξαρτήματα ασφαλείας, αυτά πρέπει να συνδεθούν σε σειρά.

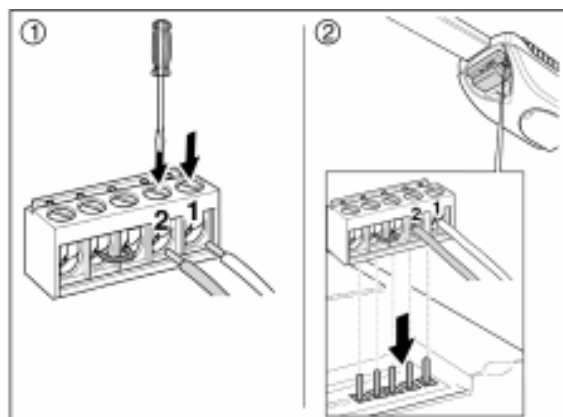
Εσωτερικό πλήκτρο, πλήκτρο κωδικού, πλήκτρο-κλειδί



Τοποθέτηση πλήκτρου:

- σε απόσταση που να φαίνεται από την γκαραζόπορτα,
- μακριά από κινούμενα μέρη,
- τοποθετήστε το εσωτερικό πλήκτρο τουλάχιστον σε ύψος 1,5 m.

- Ανοίξτε τους ακροδέκτες σύνδεσης 1 και 2 (μικρό κατσαβίδι). Αφαιρέστε τη συρμάτινη γέφυρα.



- Περάστε τους αγωγούς σύνδεσης, σφίξτε γερά (1).
- Επανατοποθετήστε τον πήχη ακροδεκτών (2).
- Βάλτε το φιν στην πρίζα, ελέγξτε τη λειτουργία.



Υπόδειξη:

Σε περίπτωση που χρησιμοποιούνται περισσότερα πλήκτρα, αυτά πρέπει να συνδεθούν παράλληλα.

Προειδοποιητική λυχνία

Η προειδοποιητική λυχνία αναβοσβήνει κατά τη διάρκεια της κίνησης της πόρτας.

- Συνδέστε την προειδοποιητική λυχνία στην έξοδο αναβοσβήσματος ακροδέκτης 4 και 5.

Έξοδος 24 V

Η έξοδος 24 V χρησιμεύει για την τροφοδοσία φωτοκυττάρου ή του πήχη επαφής ασφαλείας.
Η σύνδεση γίνεται στον ακροδέκτη 1 και 4.

Οδηγίες χειρισμού

Άνοιγμα, κλείσιμο ή σταμάτημα γκαραζόπορτας



Κίνδυνος τραυματισμού

Ανοίγετε και κλείνετε την γκαραζόπορτα μόνο, όταν δεν βρίσκονται πρόσωπα ή αντικείμενα στην περιοχή της τροχιάς της πόρτας.

Σε περίπτωση διακοπής του ρεύματος ή σε βλάβες στον αυτοματισμό ανοίγετε την γκαραζόπορτα με την εσωτερική ή την εξωτερική απασφάλιση ανάγκης. Αν μετά το πάτημα της απασφάλισης ανάγκης η πόρτα ανοίγει μόνο με την άσκηση ισχυρής δύναμης, τότε πρέπει οπωσδήποτε να απευθυνθείτε σε ειδικό συνεργείο.

Φυλάτε τον πομπό χειρός μέσα στο όχημα έτσι, ώστε να μην μπορεί να προξενήσει ζημιά κατά την οδήγηση, π.χ. κατά το φρενάρισμα.



Προσοχή!

Μην εκθέτετε τον πομπό χειρός σε υψηλές θερμοκρασίες (π.χ. άμεση ηλιακή ακτινοβολία μέσα στο όχημα).

- Κατευθύνετε τον πομπό χειρός προς την γκαραζόπορτα και πατήστε το πλήκτρο 1–2 δευτερόλεπτα ή
- πατήστε το πλήκτρο (π.χ. πλήκτρο-κλειδί).
 - Ο φωτισμός του αυτοματισμού είναι αναμμένος μετά το άνοιγμα ή το κλείσιμο επί 60 δευτερόλεπτα.



Πορεία σε περίπτωση που πατηθεί πολλαπλώς ο πομπός χειρός ή το πλήκτρο:

Άνοιγμα – Σταμάτημα – Κλείσιμο – Σταμάτημα – Άνοιγμα – Σταμάτημα – Κλείσιμο – Σταμάτημα κτλ.

Εσωτερική απασφάλιση ανάγκης

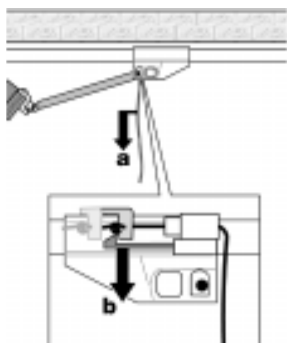
Σε περιπτώσεις ανάγκης ή σε περίπτωση διακοπής ρεύματος η γκαραζόπορτα μπορεί να αποζευχθεί από τον αυτοματισμό και να ανοιχτεί από μέσα (με το χέρι).



Κίνδυνος τραυματισμού

Η ανοιχτή γκαραζόπορτα μπορεί να πέσει κατά την απασφάλιση, επειδή τα ελατήρια είναι ασθενή ή έχουν σπάσει ή η πόρτα δεν είναι επαρκώς εξισορροπημένη.

- Απασφαλίστε τον αυτοματισμό γκαραζόπορτας, τραβώντας το σκοινί **a**.
 - Ο μοχλός κουμπώνει και η γκαραζόπορτα μπορεί να ανοιχτεί με το χέρι.
- Προετοιμάστε τον αυτοματισμό της γκαραζόπορτας για την απόζευξη, πιέζοντας τον πλαστικό μοχλό **b** προς τα κάτω.
- Στη συνέχεια φέρτε την γκαραζόπορτα με το χέρι στη θέση εκκίνησης.
 - Κατά την απόζευξη πρέπει να ακούσετε ένα σαφές "κλακ".



Αλλαγή μπαταρίας στον πομπό χειρός



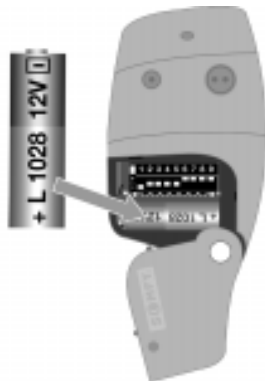
Προσοχή!

Κίνδυνος σε περίπτωση μη σωστής αλλαγής της μπαταρίας. Αντικατάσταση μόνο από μπαταρία του ίδιου τύπου. Χρησιμοποιείτε μπαταρίες, από τις οποίες δεν διαρρέουν υγρά.

Κίνδυνος για το περιβάλλον από άδειες μπαταρίες!

Μην πετάτε τις άδειες μπαταρίες στα οικιακά απορρίμματα. Φροντίστε για την φιλική προς το περιβάλλον απόσυρση. Προσέξτε τα στοιχεία του κατασκευαστή.

- Αντικαθιστάτε την άδεια μπαταρία με καινούργια.
 - Τύπος μπαταρίας: L1028/12 V



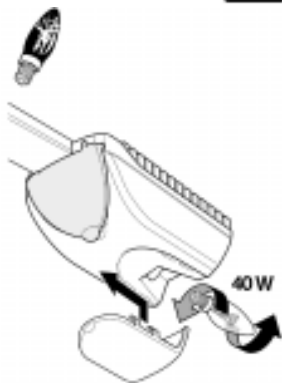
Αλλαγή λαμπτήρα πυρακτώσεως



Κίνδυνος ηλεκτροπληξίας!

Πριν την αλλαγή του λαμπτήρα πυρακτώσεως τραβάτε το φως από την πρίζα.

- Αφαιρέστε το κάλυμμα του φωτισμού του αυτοματισμού.
- Αντικαταστήστε τον λαμπτήρα πυρακτώσεως με καινούργιο (max. 40 W, ντούι E14).
- Τοποθετήστε το κάλυμμα, κουμπώστε το.
- Βάλτε το φως στην πρίζα.



Τακτικός έλεγχος



Προσοχή!

Κατά τη διάρκεια των εργασιών επισκευής και ρύθμισης στο μηχανικό σύστημα της πόρτας μη χρησιμοποιείτε την εγκατάσταση, διότι σφάλματα στην εγκατάσταση ή η μη σωστά εξισορροπημένη πόρτα μπορούν να προξενήσουν ζημιές.

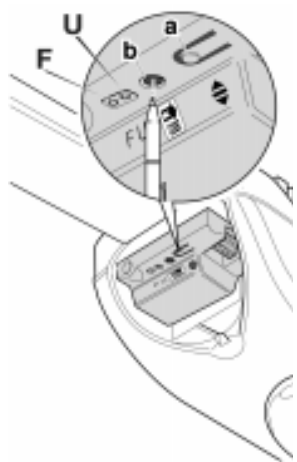
- Ελέγχετε μία φορά κάθε μήνα τις ακόλουθες λειτουργίες:
 - Αναγνώριση εμποδίου (βλ. κεφάλαιο "Θέση σε λειτουργία")
 - Λειτουργία όλων των πρόσθετα τοποθετημένων εξαρτημάτων (ιδιαίτερα των διατάξεων ασφαλείας)
- Ελέγχετε ολόκληρη την εγκατάσταση (πόρτα και αυτοματισμός) για τη μηχανική ικανότητα λειτουργίας (φθορά, ζημιές ιδιαίτερα των ελατηρίων και των μερών στερέωσης) καθώς και της ηλεκτρικής εγκατάστασης.

Τι συμβαίνει, όταν διακοπεί η τροφοδοσία με ρεύμα;

- Ο φωτισμός του αυτοματισμού ανάβει μετά την αποκατάσταση της τροφοδοσίας με ρεύμα για 1 δευτερόλεπτο.
- Κατά τον επόμενο παλμό χειρισμού οδηγείται πίσω η γκαραζόπορτα μέχρι το άνω μηχανικό τερματικό στοπ (σημείο αναφοράς) και κατόπιν μέχρι την προγραμματισμένη άνω τερματική θέση.
- Σε περίπτωση που μετά από την αποκατάσταση της τροφοδοσίας με ρεύμα ο φωτισμός του αυτοματισμού είναι διαρκώς αναμμένος, εκτελέστε εκ νέου τη διαδικασία για τη θέση σε λειτουργία.

Αντιμετώπιση λειτουργικών διαταραχών

Πώς θα αντιμετωπίσετε μόνες/οι σας βλάβες



Βλάβη	Πιθανή αιτία	Αντιμετώπιση
Οπτική ένδειξη: Διαρκές φως μετά την τοποθέτηση του φως στην πρίζα και/ή κατά τη θέση σε λειτουργία.	Δεν έχει ολοκληρωθεί ακόμα η ρύθμιση τερματικών θέσεων και/ή η δοκιμαστική λειτουργία.	Reset του φως: Τραβήξτε το φως από την πρίζα και ξαναβάλτε το. Εκτελέστε τη ρύθμιση των τερματικών θέσεων και τη δοκιμαστική λειτουργία βάσει των οδηγιών χειρισμού.
Ο φωτισμός του αυτοματισμού αναβοσβήνει σε τακτικά διαστήματα (χρονισμός ενός δευτερολέπτου).	Παρουσιάστηκε η περίπτωση εμποδίου (π.χ. από την αναγνώριση εμποδίου ή την ενεργοποίηση της διάταξης ασφαλείας όπως φωτοκύτταρο, επαφή πόρτας διαφυγής).	Απομακρύνετε το εμπόδιο, ανοίξτε/κλείστε την γκαραζόπορτα.
Ο φωτισμός του αυτοματισμού αναβοσβήνει σε μη τακτικά διαστήματα (τρία δευτερόλεπτα σβηστός/ένα δευτερόλεπτο αναμμένος).	Κατά την παρακολούθηση των ηλεκτρονικών λειτουργικών μερών το ηλεκτρονικό σύστημα αναγνωρίζει κάποια ανωμαλία.	Reset: Πατήστε το πλήκτρο χειρισμού a και το πλήκτρο προγραμματισμού b ταυτόχρονα επί 5 δευτερόλεπτα. (ο φωτισμός του αυτοματισμού αναβοσβήνει). Επιβεβαίωση του Reset από το διαρκές φως. Ρυθμίστε τις τερματικές θέσεις εκ νέου και εκτελέστε δοκιμαστική λειτουργία. Κατά τη διαδικασία αυτή δεν ακυρώνονται οι προγραμματισμένοι πομποί χειρός. Σε περίπτωση που κατά τον προγραμματισμό των τερματικών θέσεων αναβοσβήνει ακανόνιστα ο φωτισμός του αυτοματισμού, παρακαλείσθε να έρθετε σε επαφή με την υπηρεσία σέρβις.
Ο φωτισμός του αυτοματισμού δεν ανάβει.	Έχει καεί ο λαμπτήρας πυρακτώσεως.	Αλλάξτε τον λαμπτήρα πυρακτώσεως.
Ο αυτοματισμός της γκαραζόπορτας δεν λειτουργεί κατά το πάτημα του πομπού χειρός.	Η μπαταρία του πομπού χειρός είναι άδεια/μη σωστά τοποθετημένη.	Ελέγξτε την μπαταρία, αν χρειάζεται αλλάξτε την.
	Ο κωδικός στον δέκτη δεν διαβάστηκε ακόμα.	Πρέπει να γίνει αναγγελία του πομπού χειρός.
	Δεν ολοκληρώθηκε ακόμα η ρύθμιση των τερματικών θέσεων, η δοκιμαστική λειτουργία.	Εκτελέστε και ολοκληρώστε τη ρύθμιση τερματικών θέσεων και τη δοκιμαστική λειτουργία. Κατόπιν κάνετε την αναγγελία του πομπού χειρός.
Ο αυτοματισμός της γκαραζόπορτας δεν ανοίγει/κλείνει καθόλου/μέχρι το τέρμα την πόρτα.	Ζημιά στο μηχανικό σύστημα της πόρτας.	Ελέγξτε το μηχανικό σύστημα της πόρτας. Φροντίστε για την επισκευή από εξειδικευμένο συνεργείο.
	Μη ευνοϊκοί εξωτερικοί παράγοντες (π.χ. δυνατή βροχή) έχουν προκαλέσει αύξηση του βάρους της γκαραζόπορτας. Ο αυτοματισμός της γκαραζόπορτας αναγνωρίζει την κατάσταση ως εμπόδιο.	Ρυθμίστε τις τερματικές θέσεις εκ νέου και εκτελέστε δοκιμαστική λειτουργία. Κατά τη διαδικασία αυτή δεν ακυρώνονται οι προγραμματισμένοι πομποί χειρός. Σε περίπτωση που η βλάβη παραμένει, παρακαλείσθε να έρθετε σε επαφή με την υπηρεσία σέρβις.
	Καμία τάση δικτύου (η φωτοδίοδος U δεν ανάβει).	Απευθυνθείτε σε ηλεκτρολόγο για τον έλεγχο παροχής ρεύματος στην πρίζα.

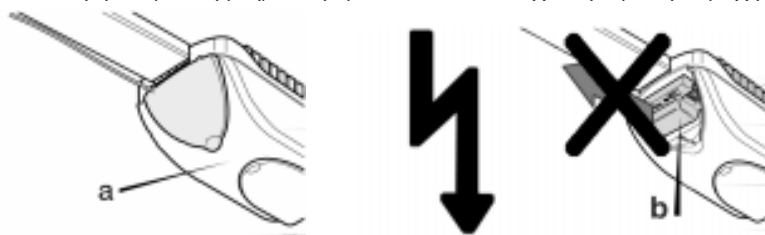
Υπηρεσία τεχνικής εξυπηρέτησης πελατών

Βλάβες στον τομέα των 230 Volt επιτρέπεται να αποκαθίστανται μόνο από ηλεκτρολόγους ή από τη συμβεβλημένη υπηρεσία τεχνικής εξυπηρέτησης των πελατών μας. Σε περίπτωση που οι βλάβες αυτές εμφανίζονται επανειλημμένα ή σε περίπτωση άλλων βλαβών παρακαλείσθε να απευθυνθείτε στην πλησιέστερη συμβεβλημένη υπηρεσία τεχνικής εξυπηρέτησης πελατών.



Προσοχή!

Η επικάλυψη (a) επιτρέπεται να αφαιρεθεί μόνο από τον ειδικό βάσει VDE 0100 (κίνδυνος ηλεκτροπληξίας). Διαφορετικά παύει να ισχύει η αξίωση παροχής εγγύησης.



Κίνδυνος ηλεκτροπληξίας!

Εκτελείτε τις εργασίες στο ηλεκτρονικό σύστημα ελέγχου (b) μόνον, όταν η εγκατάσταση έχει απομονωθεί από το ρεύμα!

Μην αποσυνδέσετε το ηλεκτρονικό σύστημα ελέγχου!

Εξαρτήματα

Τα εξαρτήματα αυτά μπορείτε να τα προμηθευτείτε από τα ειδικά καταστήματα. Περαιτέρω πληροφορίες θα σας παρέχει ευχαρίστως το ειδικό κατάστημα για αυτοματισμούς γκαραζόπορτας SOMFY.

Εξαρτήματα για πρόσθετη ασφάλεια

	Κωδ. είδους SOMFY	Παρατήρηση
Εξωτερική απασφάλιση ανάγκης – για αναδιπλούμενες/κυλιόμενες (σπαστές) πόρτες οροφής και γκαραζόπορτες οροφής που δεν εξέχουν από το επίπεδο της εισόδου, με λαβή – για όλα τα συνήθη είδη πορτών με και χωρίς λαβή (κλειδαριά απασφάλισης ανάγκης)	9 000 018	Αν δεν υπάρχει άλλη πρόσβαση στο γκαράζ, πρέπει να τοποθετηθεί οπωσδήποτε μία εξωτερική απασφάλιση ανάγκης. Έτσι μπορεί να ανοιχτεί η γκαραζόπορτα απ' έξω (με το χέρι) π.χ. σε περίπτωση διακοπής ρεύματος/βλάβης.
	9 000 032	
Επαφή πόρτας διαφυγής	9 000 007	Εμποδίζει με ανοιχτή την πόρτα διαφυγής (πόρτα για πεζούς στην γκαραζόπορτα) την κίνηση της πόρτας μέσω του αυτοματισμού της γκαραζόπορτας.
Κλειδωμα δαπέδου	9 000 003*	
Σετ κλειδώματος χωρίς κλειδαριά ασφάλισης	9 000 019*	
Πλευρικό κλειδωμα πόρτας	9 000 004*	
Φωτοκύτταρο	9 000 025	Σε περίπτωση διακοπής της ακτίνας φωτός σταματάει αμέσως η γκαραζόπορτα. Στην κατεύθυνση κλεισίματος της πόρτας ελευθερώνεται το εμπόδιο.
Προειδοποιητική λυχνία	9 000 030	

* απαιτείται επιπλέον βραχίονας οδήγησης (κωδικός παραγγελίας 9 000 002)

Εξαρτήματα για μεγαλύτερη άνεση χειρισμού

	Κωδ. είδους SOMFY	Παρατήρηση
Πλήκτρο-κλειδί για χωνευτή τοποθέτηση/τοποθέτηση πάνω στον τοίχο	9 000 021	
Εσωτερικό πλήκτρο	9 000 008	
Πλήκτρο κωδικού	9 000 028	
Πομπός χειρός 2 καναλιών, σε γκρι ανοιχτό	1 800 037	433,42 MHz
Πομπός χειρός 4 καναλιών, Fun	1 800 035	433,42 MHz
Πομπός χειρός 4 καναλιών, σε γκρι σκούρο	1 800 029	433,42 MHz

Εξαρτήματα για ιδιαίτερες συνθήκες τοποθέτησης

	Κωδ. είδους SOMFY	Παρατήρηση
Κατέβασμα οροφής (γωνιά)	9 000 034	Για το κατέβασμα μέχρι 270 mm το πολύ.
Διάτρητη ράγα για το κατέβασμα του αυτοματισμού της γκαραζόπορτας	9 000 001	Συνολικό μήκος 1 m, για το κατέβασμα μέχρι 400 mm.
Κατέβασμα οροφής (τηλεσκοπικού τύπου)	9 000 042	Για το κατέβασμα μέχρι 1500 mm το πολύ.
Επιμήκυνση βραχίονα οδήγησης	9 000 006*	Χρήση σε πλατύ υπέρθυρο (μέχρι 400 mm το πολύ), όταν ακουμπάει ο βραχίονας οδήγησης στο υπέρθυρο.
Ράβδος επιμήκυνσης	9 000 005*	Απαραίτητη σε πολύ ελάχιστη απόσταση μεταξύ της πάνω άκρης της πόρτας και της οροφής του γκαράζ και όταν ο αυτοματισμός της γκαραζόπορτας μετατοπιστεί ολόκληρος προς τα πίσω (μέχρι 2,5 m το πολύ)
Ρεζές δίφυλλης πόρτας	9 000 009	Πλάτος φύλλου πόρτας το πολύ 1,5 m ανά φύλλο. Πρόσθετες υποδείξεις, βλ. "Δυνατότητα χρήσης".
Ρεζές κυλιόμενης (σπαστής) πόρτας οροφής	9 000 016	Για τμήματα πόρτας ύψους 300–500 mm
Τόξο στερέωσης	9 000 040	Για την ενίσχυση του άνω τμήματος της κυλιόμενης (σπαστής) πόρτας οροφής.
Κεκαμμένος βραχίονας οδήγησης	9 000 023	Για κυλιόμενες (σπαστές) πόρτες οροφής, όταν δεν χρειάζεται ράγα συγκράτησης και ράγα στερέωσης στο τμήμα της πόρτας.
Βραχίονας ανύψωσης	9 000 015	Για γκαραζόπορτες οροφής που δεν εξέρχουν από το επίπεδο της εισόδου με κάθετες οδηγούς ράγες
Σετ επιμήκυνσης ράγας	9 000 031	Κατά 700 mm το πολύ.

* απαιτείται επιπλέον βραχίονας οδήγησης (κωδικός παραγγελίας 9 000 002)

Δήλωση κατασκευαστή



(Βλ. σελίδα 230)

Ο κατασκευαστής SOMFY GmbH, Felix-Wankel-Straße 50, D-72108 Rottenburg a. N., δηλώνει με την παρούσα τα εξής:

Ο αυτοματισμός γκαραζόπορτας τύπου KEASY L + / KEASY XL + ανταποκρίνεται στην οδηγία 99/5/EK, 98/37/EK περί μηχανών βάσει των προτύπων DIN EN 12453, 2001, DIN EN 60335-1, 1995, E DIN EN 60335-2-95, 2001.

Υπόδειξη:

Η θέση της εγκατάστασης της γκαραζόπορτας, στην οποία πρόκειται να τοποθετηθεί ο παρών αυτοματισμός, σε λειτουργία απαγορεύεται, μέχρι να διασφαλιστεί, ότι η εγκατάσταση της γκαραζόπορτας ανταποκρίνεται στις διατάξεις της οδηγίας 98/37/EK.

Rottenburg, 16. 02. 2004

Διευθυντής Κέντρου Ντιζάιν
Αντί αυτού Dieter Thomas

İçindekiler

İçindekiler	192
Bu kılavuzda kullanılan semboller	193
İmha ile ilgili uyarılar	193
Emniyetiniz için	194
Usulüne uygun kullanım	194
Önemli emniyet uyarıları	194
Kalp pili taşıyıcılarına uyarı	194
Emniyet tertibatları	194
Montaj hazırlığı	195
Bir bakışta	195
Teknik Veriler	195
Kullanıldığı yerler.....	196
Azami garaj kapısı ölçüleri	196
Garajın boyunduruk ve tavan dengesi.....	196
Mevcut kapının mekanik durumu	196
Şebeke bağlantısı.....	196
Ek emniyet tertibatları.....	197
Montaj kılavuzu	197
Güvenli montaj için önemli talimatlar.....	197
Ambalajın içeriğinin kontrolü	197
Montaj durumları / örnekler	198
Garaj kapısı tahrik sisteminin ön montajı	198
Montajı.....	198
Ayar talimatı	199
İşletmeye alma	199
Garaj kapısının son konumunun ayarlanması/ayarının değiştirilmesi	200
Uzaktan kumanda aleti aletinin öğrenilmesi	201
Engel tanımanın kontrolü	202
Aksesuarların bağlanması	202
Hazırlık	202
Işıklı bariyer, kayar kapı kontağı, güvenlik kontak çitası	203
İç, kod, anahtar tuşları	203
İkaz lambaları	204
24 V çıkış.....	204
Kullanma kılavuzu	204
Garaj kapısının açılması, kapatılması veya durdurulması.....	204
İç acil kilit açma tertibatı	204
Uzaktan kumanda aletindeki pillerin değiştirilmesi	205
Ampul değiştirme.....	205
Düzenli kontrol.....	205
Eğer akım beslemesi kesilirse ne olur?	205
Fonksiyon arızalarında yardım	206
Arızaları kendiniz gideriniz	206
Müşteri hizmetleri	207
Aksesuarlar	207
Ek güvenlik için aksesuarlar	207
Daha yüksek kullanım konforu için aksesuarlar	208
Özel montaj şartları için aksesuarlar	208
Üretici açıklaması	208

Bu kılavuzda kullanılan semboller

**Dikkat! Önemli emniyet uyarısı.**

Bu uyarılara dikkat etmek kişilerin emniyeti için hayatidir.

**Dikkat! Emniyet uyarısı.**

Dikkat edilmesi durumunda yaralanma veya mal hasarı tehlikesi.

**Uyarı:**

Kullanma ile ilgili ip uçları ve önemli bilgiler verir.

**Elektrik çarpma tehlikesi!**

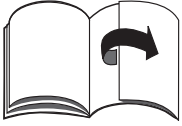
Yapılacak her çalışmadan önce şebeke fişi çekilmelidir.



Sadece kuru mekanlarda kullanılması.



Öndeki katlamalı sayfaların açılması.



Arkadaki katlamalı sayfaların açılması.



Katlamalı sayfalardaki bir talimata ait olan resim numarasını verir.

- Nokta sembolü, yapılması gereken bir işi tanımlar!
 - Tیره sembolü ile özellikle dikkat edilmesi gereken noktalara işaret edilir.

İmha ile ilgili uyarılar



Mevcut bir kapı tahrik sistemini değiştirirken lütfen şuna dikkat ediniz:

- Eski cihazlar değersiz atık değildir. Çevreye uygun şekilde imha edilmeleri durumunda, değerli hammaddeler geri kazanılabilir.

Yeni kapı tahrik sisteminin nakliyesi ve depolanması sırasında paslanma olmaması için, bazı parçaları yağlanmışır. Montaj sırasında ortaya çıkan yağla kirlenmiş ambalaj artıkları ve bez parçaları çevreye uygun şekilde imha edilmelidir.

Kullanılmış olan ambalaj malzemeleri, çevreye uyumludur ve tekrar değerlendirilebilir. Ambalajlar çevreye uygun şekilde imha edilmelidir.

Uzaktan kumanda aletindeki piller ev atıklarına dahil değildir.

Güncel olan imha yöntemlerini Yetkili satıcınızdan veya belediye idaresinden öğreniniz.

Emniyetiniz için

Usulüne uygun kullanım

Tahrik sistemi, işletme kuvvetleri ve kullanma kılavuzu dikkate alındığında, EN 12604 veya EN 13241 no'lu normlara göre olan kapılar için uygundur.

Bu garaj kapısı tahrik sistemini sadece aşağıdaki durumlarda kullanınız:



- Garaj kapılarının otomatik olarak açılması ve kapatılması için,
- Kuru olan mekanlarda,
- Kişiyeye özel bölgelerde,
- Bu kullanma kılavuzunda verilen tariflere ve emniyet uyarılarına uygun şekilde.

Bunun dışındaki diğer başka bir kullanım, usulüne uygun kullanım kapsamına girmez.

Önemli emniyet uyarıları



Dikkat!

Kişilerin emniyeti için tüm talimatların uygulanması hayati tehlike taşımaktadır:

- Bu talimatları muhafaza ediniz ve mal sahibi değiştiği zaman yeni mal sahibine veriniz. Montajdan önce bu talimatı tamamen okuyunuz ve emniyet uyarılarına özellikle dikkat ediniz.
- İşlemleri tarif edilen sıraya göre yapınız ve kullanılmasını iyice öğreniniz.
- Daima birlikte verilen veya tavsiye edilen sabitleştirme malzemelerini, orijinal yedek parçaları ve aksesuarları kullanınız.
- İşletmeye alındıktan sonra, tüm kullanıcıların garaj kapısı tahrik sisteminin çalışmasını ve kullanılmasını öğrenmelerini sağlayınız.
- Garaj kapısının kapanma kenarlarında ve mekanik aksamında sıkışma ve kesilme tehlikesi vardır. Garaj kapısını sadece, dönme bölgesini görebildiğiniz ve orada hiç kimse olmadığı zaman açınız ve kapatınız.
- Uzaktan kumanda aletinin istenmeyen şekilde kullanılmasını, örn. oynayan çocuklar önlemek için güvenli bir yerde muhafaza ediniz.
- Kapı tahrik sistemini, doğru şekilde düzenlenmiş ve ağırlığı dengeli olan garaj kapılarına monte ediniz. Yanlış düzenlenmiş bir kapı yaralanmalara neden olabilir.
- Kapıda veya kapı tahrik sisteminde yapılan çalışmalar sırasında şebeke fişini daima çıkarınız.
- Hasar görmüş şebeke kablosu derhal değiştirilmelidir (Sadece uzman elektrikçi tarafından).
- Hareket halindeki bir kapıya veya çalışan parçaları tutmayınız.



Kalp pili taşıyıcılarına uyarı

Uzaktan kumanda aletinin verici kapasitesi, ilgili normlara uygundur ve kesinlikle sakıncası yoktur. Çok az olan bir riske mani olmak için, tedbir olarak uzaktan kumanda aletinin doğrudan vücut üzerinde kullanılmamasını tavsiye ederiz. Emniyetiniz için, uzaktan kumanda aletini kullanırken kolunuzu garaj kapısı yönüne uzatınız ve aleti o şekilde kullanınız.

Emniyet tertibatları



Emniyet tertibatları, yaralanma ve mal hasarına karşı korur.

Emniyet tertibatlarını gücü dışında kullanmayınız veya maksatlı şekilde davranmayınız.

Otomatik engel tanıma

Bir kapı açma hareketi sırasında, bir engele doğru gittiği zaman garaj kapısı hareketi durur.

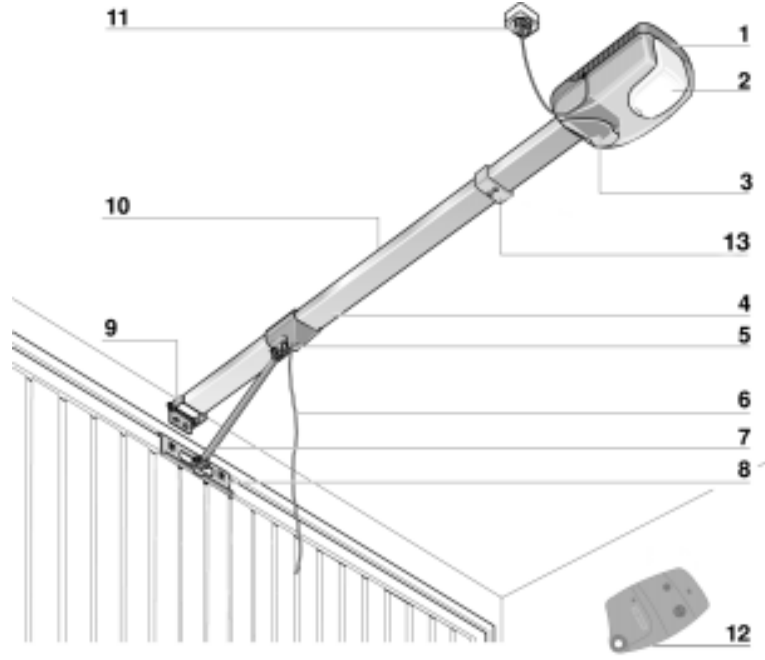
Bir kapı kapatma hareketi sırasında engele izin verilir, garaj kapısı üstteki mekanik dayanak noktasına ve sonra da programlanmış olan üst son konumuna geri gider.

- Ayda en az bir defa çalışmasını kontrol ediniz (Bkz. "İşletmeye alma" bölümü).

Ek olarak, daha başka emniyet tertibatları da taktırılmasını tavsiye ediyoruz (Bkz. "Aksesuarlar").

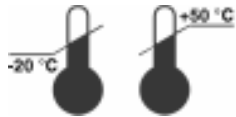
Montaj hazırlığı

Bir bakışta



- | | |
|--|--|
| 1. Tahrik başlığı | 8. Kapı kanadı sabitleştirme köşebendi |
| 2. Tahrik sistemi aydınlatması | 9. Boyunduruk/tavan tutma köşebendi |
| 3. Elektronik grup | 10. Zincir ve çevirici (iç kısımda) |
| 4. Yürüme rayı | 11. Şebeke fişi |
| 5. Yürütme arabası | 12. Uzaktan kumanda aleti |
| 6. İç taraftan acil kilit açma tertibatı | 13. Mekanik dayanak |
| 7. Kılavuz kolu | |

Teknik Veriler



	KEASY L ⁺	KEASY XL ⁺
Ağırlık	Yakl. 15 kg.	Yakl. 15 kg.
Baskı/çekme kuvveti	500 N değerine kadar kademesiz ¹⁾	700 N değerine kadar kademesiz ¹⁾
Yumuşak başlatma/yumuşak duruş	evet, kademesiz	evet, kademesiz
Sıcaklık aralığı	-20 °C ... +50 °C	-20 °C ... +50 °C
Ölçüler		
Montaj boyu	3,30 m	3,30 m
Strok boyu	2,50 m ²⁾	2,50 m ²⁾
Elektrik düzeni		
Gerilim besleme	230 V/50 Hz~	230 V/50 Hz~
Azami güç kullanımı	300 W	300 W
Standby tüketimi	< 4 W	< 4 W
Koruma sınıfı	IP 20	IP 20
İşletme şekli	S2 Kısa süreli çalışma	S2 Kısa süreli çalışma
Ampul	Azami 40 W/E14	Azami 40 W/E14
Yayın frekansı	UKW 433,42 MHz	UKW 433,42 MHz

CE 06810

1) Kendi kendine öğrenen
2) Ray uzantısı ile birlikte 3,00 m

Kullanıldığı yerler

KEASY L⁺/KEASY XL⁺

Kullanıldığı kapılar:

- Devrilir kapılar
- Tavana sürülen dilimli kapılar (dilimli kapı kaplaması gerektirir, bkz. "Aksesuar")
- Kanatlı kapılar (kanatlı kapı kaplaması gerektirir, bkz. "Aksesuar")
İlave olarak, tahrik sisteminin çalışma yönü mutlak değiştirilmelidir. Bununla ilgili gerekli olan bilgileri yetkili bayiden veya en yakın müşteri hizmetleri servisinden alabilirsiniz. (Bkz. Kanatlı kapı kaplaması kullanma kılavuzu)

KEASY XL⁺

Kullanıldığı kapılar:

- Devrilir kapılar (kaldırma kolu gerektirir, bkz. "Aksesuar")
- Yana sürülen dilimli kapılar (kaplama gerektirir).

Azami garaj kapısı ölçüleri

	KEASY L ⁺	KEASY XL ⁺
Yüzeyler		
Hafif kapılar, örn. sac kapılar	7,5 m ² ye kadar	12,0 m ² ye kadar
Ağır kapılar, örn. ahşap kapılar	6,0 m ² ye kadar	7,5 m ² ye kadar
Yükseklikler		
Tavan bölmeli kapılar	2,3 m ye kadar	2,3 m ye kadar
Diğer garaj kapıları	2,3 m ye kadar	2,3 m ye kadar
Ray uzatma takımı olan (bkz. Akseasuar)	2,3 m den 3,0 m ye kadar	2,3 m den 3,0 m ye kadar

Garajın boyunduruk ve tavan dengesi

Boyunduruğun ve tavanın asgari yüklenbilirliği:

- KEASY L⁺: 700 N
- KEASY XL⁺: 900 N



Delik delerken tavan kalınlığına dikkat ediniz (örn. hazır garajların beton tavanları)!

Birlikte verilen dubel ve civatalar için gerekli delik derinliği : 53 mm

Sevkiyat kapsamında markalı standart dubeller vardır. İhtiyaç durumunda, taban için uygun olan özel dubel kullanınız.

Mevcut kapının mekanik durumu

Garaj kapısı katlanmadan, el ile kolayca açılıp kapanıyor mu? Eğer böyle değil ise, kapının mekanik durumunu bir garaj kapısı teknisyeni tarafından onartınız.

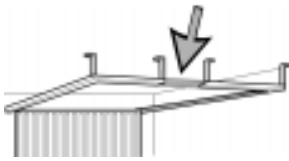
Garaj kapısının yürüme rayları bir çapraz bağlantı ile dengelenmiş ise, garaj kapısı tahrik sisteminin kılavuz kolu bu çapraz bağlantıya çarpabilir. Böyle bir durumda, bu bağlantı kesilebilir ve parça çıkarılabilir, örnek resme bakınız. Dengeyi tekrar sağlamak için, geriye kalan parça kısımlarını tavana sabitleştiriniz.

Şebeke bağlantısı

Kapı tahrik sistemine gerekli mesafede 230 V'luk bir şebeke bağlantısı var mıdır?

- Şebeke kablosunun uzunluğu : **Yakl. 1 m**

Eğer mevcut değil ise, şebeke bağlantısının bir uzman elektrikçi tarafından döşenmesini sağlayınız.



Ek emniyet tertibatları



Dış taraftan acil kilit açma tertibatı

Eğer garaja ikinci bir giriş yok ise, mutlaka bir dış taraftan acil kilit açma tertibatı (Bkz. "Aksesuar") monte edilmelidir. Böylece garaj kapısı, örn. cereyan kesildiğinde/arıza durumlarında, dış taraftan el ile açılabilir.



Mekanik dayanak

Bir zorlanma durumundan sonra, işletmeye alma ve kusursuz çalışma için, garaj kapısının çalışması mutlaka sert bir mekanik dayanak (sevkiyat kapsamında) ile sınırlandırılmalıdır.



Kapı kilitleme

Garaj kapısı tahrik sistemi kendi kendine durmaktadır ve kapıyı kapalı tutar. Garaj kapısının meydana gelen kilitlenmelerini otomatikleştirir (Bkz. "Aksesuar"), bertaraf eder veya işletmeden çıkarır.

Montaj kılavuzu

Güvenli montaj için önemli talimatlar



Dikkat!

Yanlış montaj ciddi yaralanmalara yol açabilir. Tüm montaj talimatlarına uyulmalıdır! Başka kişilerin yardım etmesi montaj işlemini kolaylaştırır.



Dikkat!

Tavanda delik delerken "Koruyucu gözlük" takınız. Delme çalışmasından önce, tahrik başlığını tozdan korumak için üzerini örtünüz.

**1**

Ambalajın içeriğinin kontrolü

Montaj çalışmasını yarıda kesmemek için, ambalajın içeriğini montajdan önce,

- ambalajın içindeki parça sayısının tam olup olmadığını
- parçaların durumunun usulüne uygun olup olmadığını kontrol ediniz.

Hasar görmüş parçaları kullanmayınız! Yetkili bayiiniz ile temasa geçiniz.



Uyarı:

Köpük malzemeden olan parçalar **AA**, zincirin sesinin sönümlenmesini sağlar.

2

Montaj için gerekli olan bütün aletleri hazır ediniz.

Montaj durumları / örnekler

Boyunduruk/tavan tutma köşebendi ve tahrik başlığı nerede monte edilmelidir?

(Bir devrilir kapı örneğinde)



3

En uygun kuvvet aktarımı için, tahrik sistemi prensip olarak mümkün olduğunca kapının en üst noktasına çok yakın monte edilmelidir.

- Kapının en üst noktasını **a** saptayınız (**a** = kapı kanadı ile garaj tavanı arasındaki asgari mesafe). Saptanan ölçüye göre çeşitli montaj imkanları vardır.

4

1. **a** ölçüsü 38 ile 140 mm arasında

- Garaj kapısı tahrik sistemini tavana monte ediniz.
- Montaj köşebendini boyunduruğa veya tavana (boyunduruğa tercih edilir) sabitleştiriniz.
- Boyunduruğa yapılan montajda 15 mm'lik bir mesafe bulundurunuz.

5

2. **a** ölçüsü 140 mm'den büyük

- Montaj köşebendini, rayın alt kenarı ile kapının üst noktası arasında 50 mm mesafe kalacak şekilde boyunduruğa monte ediniz.
- Garaj kapısı tahrik sistemini tavana asınız (delikli ray gereklidir, bkz. "Aksesuar").

6

3. **a** ölçüsü 38 mm'den

- Montaj köşebendini ve garaj kapısı tahrik sistemini açılmış garaj kapısının arkasında tavana monte ediniz (uzatma çubuğu gereklidir, bkz. "Aksesuar"). Toplam uzunluğa dikkat ediniz.

Garaj kapısı tahrik sisteminin ön montajı



7

- Ray bağlantı parçalarını **B**, kılavuz rayda **A** dayanaklara kadar kaydırınız ve kılavuz ray parçalarını birbirine sokunuz.
- Ses sönümlenmesi için olan beyaz köpük malzeme parçalarını **AA** olukta bükünüz.
- Ses sönümleyiciyi 4 kılavuz rayın **A** ortasına tutturunuz.
- Ön montajı yapılmış olan kılavuz rayını tahrik başlığına **C** yerleştiriniz.

8

- Yürütme arabasını **D** yürüme rayına itiniz.
- Ön zincir çeviriciyi **E, F, G** birbirine sokunuz ve yürüme rayına yerleştiriniz.

9

- Zinciri **J** basit olarak boşaltmak için, küçük parça ambalajının kapağı çıkarılabilir ve altlık olarak kullanılabilir.
- Zincirden taşan yağı bir bez ile siliniz.

10

- Zinciri yürüme rayına boşaltınız.
 - Zincir mutlaka kavrama parçası **I** tarafında yürütme arabasına **D** geçirilmelidir. Bunun için yürütme arabası ayrılmalıdır (metal kol mutlaka plastik kola geçmelidir).
- Kavrama parçasını **I**, her iki taraftan zincir kilidi **H** ile zincire **J** birleştiriniz.



11

- Zincirin, zincir çeviriciye **F** yerleştirilmesi için, yay **E** mutlaka kuvvetli bir şekilde birbirine bastırılmalıdır. Bunun için yardımcı olarak kılavuz kolu **M** kullanabilirsiniz.
 - Zincir, kılavuza doğru şekilde yerleştirilmelidir ve aşırı bastırılmamalıdır.

12

- Acil kilit açma tertibatının ipini **O** sabitleyin.
- Pinyon dişli kapağını **N** yerleştiriniz.



13

Montajı

- Kapı plakasının sabitleştirme köşebendini **K** kapı plaka çerçevesine monte ediniz.
 - Sabitleştirme civatalarını yatay veya dikey olarak takınız.

14

- Tutma köşebendini **L**, montaj durumuna göre tavana veya boyunduruğa monte ediniz (Bkz. "Montaj durumları ve örnekler"). Delik derinliği 5,3 cm'dir.

15

- Kapak klapesini çıkarınız.
- Garaj kapısı tahrik sistemini tutma köşebendi ile birleştiriniz.
 - Cıvatayı gevşek sıkınız. Somun kendinden emniyetli olduğu için, cıvata da biraz boşluk olmalıdır.

16

- Tahrik başlığını tavana sabitleştiriniz, delik derinliği 5,3 cm'dir.
 - Tahrik başlığının garaj kapısına tam ortali bir şekilde düzenlenmesine dikkat ediniz (bunun için kapı plakasındaki sabitleştirme köşebendini **K** karşılaştırınız).

17

- Kılavuz kolunu **M**, kapı plakası sabitleştirme köşebendi (**Q** ve **Y** ile) ve yürütme arabası ile birleştiriniz. Somunlar kendinden emniyetli olduğu için, cıvatalarda biraz boşluk olmalıdır.

Sabit bir mekanik dayanağı olmayan kapılardaki dayanak köşebendi **Z** aşağıdaki şekilde monte edilmelidir:

- Garaj kapısını tam olarak açınız. Dayanak köşebendinin montaj konumu, tam olarak açılmış kapıda doğrudan yürütme arabasının arkasındadır.
- Delik delme yerlerini markalayınız ve sonunda 3,6 mm uçlu bir matkapla delikleri deliniz.
- Dayanak köşebendini sac vidalarıyla **ZZ** monte ediniz.

- Kapının yürümesini el ile kontrol ediniz. Bu sırada yürütme arabasının kilidi mutlaka açılmalıdır.
- Garaj kapısını tamamen açınız ve kapatınız.

18

- Garaj kapısı tahrik sistemini, garaj kapısı kapalı iken bağlantıya hazırlayınız, bunun için plastik kolu aşağıya doğru bastırınız. Metal kol yuvasından çıkar çıkmaz, kilit açma tertibatı yukarı kaldırılır. Sonunda garaj kapısını el ile "Kapı açma konumuna" getiriniz, yani yürütme arabası kavrama parçasına kenetlenir.

Ayar talimatı

İşletmeye alma



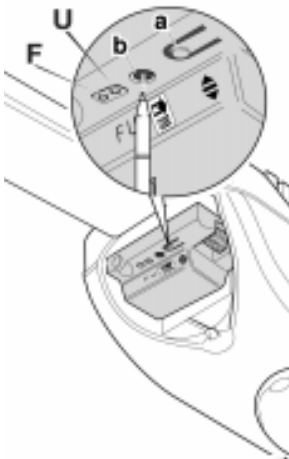
Yaralanma tehlikesi!

İşletmeye alırken ve ayar yaparken, kişileri ve nesnelere garaj kapısının hareket bölgesinden uzakta tutunuz.



Uyarı:

Sürekli ışık, tahrik sistemi aydınlatmasını çok fazla ısıtır. Bunun için işletmeye alma işleminde kapağı çıkartınız.



- Şebeke fişini takınız. Tahrik sistemi aydınlatması sürekli olarak yanar.
- Yürütme arabasındaki zincirde bulunan kavrama parçasının yerine oturup oturmadığını kontrol ediniz. Garaj kapısı el ile hareket ettirilmemelidir.

F Işıklı diyot, bir yayın sinyali aldığı zaman yanar

U Işıklı diyot, şebeke gerilimi mevcut iken yanar

a Kumanda düğmesi

b Programlama düğmesi

Garaj kapısının son konumunun ayarlanması/ayarının değiştirilmesi

Bu işlem, daima üst ve alt son konumun ve ayrıca test çalışmasını ayarını içerir.

Üst son konum olarak, kapı tamamen açık durumda iken yürütme arabasının konumu ile tanımlanır.

Alt son konum olarak, kapı tamamen kapalı durumda iken yürütme arabasının konumu ile tanımlanır.

Ayar işlemi, mutlaka verilen sıraya göre yapılmalıdır ve tahrik sistemi aydınlatması söndüğü zaman tamamlanmış olur. Ancak o zaman uzaktan kumanda aleti kaydedilir.



Dikkat!

Kapı yürüme yolunun (üst son konum) sınırlandırıcısı olarak mutlaka sabit bir dayanak bulunmalıdır, aksi halde tahrik sistemi ayar işlemi sırasında yürümeye devam eder ve kapının mekanik aksamı zarar görebilir.



Uyarı:

Program düğmesine hafif bir şekilde basınız (örn. bir tükenmez kalem ile).

Ayar işlemini yarıda kesmek için, şebeke fişini çekiniz. Şebeke fişi tekrar takıldıktan sonra, ayar işlemine mutlaka yeniden başlanmalıdır.

Üst ve alt son konum arasındaki asgari mesafe 30 cm'dir. Daha az bir mesafe programlanamaz.



1. Üst son konumun ayarlanması

- Program düğmesine **b**, tahrik sistemi aydınlatması sönmeye kadar en az 2 saniye basınız (tükenmez kalem).
 - Tahrik sistemi aydınlatması tekrar yanar.
 - Eğer tahrik sistemi aydınlatması yanıp sönerse, program düğmesine çok kısa basılmış demektir. Bu durumda, şebeke fişini çekiniz ve tekrar takınız. Son konumların ayarlanmasına baştan başlayınız.
- Kumanda düğmesine **a**, kısa süreli (yakl. 1 saniye) basınız.
 - Garaj kapısı tahrik sistemi, "Kapı açık" yönünde mekanik dayanağa kadar gider ve oradan yaklaşık 5 cm geri gelir.
 - Bu pozisyonun düzeltilmesi mümkündür, bunun için kumanda düğmesine **a** basınız ve istenen konuma ulaşıncaya kadar basılı olarak tutunuz. Düğmeye her basılışta yürüyüş yönü değişir.
- İstenen son konum ayarlandığı zaman:
 - Tahrik sistemi aydınlatması sönmeye kadar, program düğmesine **b** basınız.
 - Tahrik sistemi aydınlatması tekrar yanar.

Üst son konum hafızaya kaydedilir.

2. Alt son konumun ayarlanması

- Kumanda düğmesine **a** basınız ve garaj kapısı tamamen kapanıncaya kadar basılı olarak tutunuz (mekanik dayanak).
 - Alt son konum, isteğe göre kumanda düğmesi **a** ile değiştirilebilir, yukarı bakınız.
 - Kapının mekanik düzenini korumak için, alt son konum, kapının mekanik dayanağa çok sert şekilde bastırılması önlenerek şekilde ayarlanmalıdır.
- Tahrik sistemi aydınlatması sönmeye kadar, program düğmesine **b** basınız.
 - Tahrik sistemi aydınlatması tekrar yanar.

Alt son konum hafızaya kaydedilir.

3. Test çalışmasının yapılması

- Kumanda düğmesine **a** kısa süreli basınız ve garaj kapısı tamamen açılıncaya kadar bekleyiniz.
- Kumanda düğmesine **a** tekrar basınız ve garaj kapısı tamamen kapanıncaya kadar bekleyiniz.
 - Tahrik sistemi aydınlatması yanar.

Ayar işlemi sona ermiştir.

Test çalışması başarılı şekilde bitirilmemiş ise, tüm ayar işlemi tekrarlanmalıdır.

Test çalışması sadece, yarıda kesilmediği zaman tamamen bitmiş olur. Garaj kapısı tahrik sistemi test çalışması sırasında, tam "gücünde" çalışır ve bu sırada açma ve kapatma için gerekli olan kuvveti otomatik olarak "öğrenir". Yapılan her müteakip çalışmada kuvvet değeri tekrar ayarlanır (örneğin kışın garaj kapısı biraz ağır çalıştığı zaman önemlidir).

Uzaktan kumanda aleti aletinin öğrenilmesi

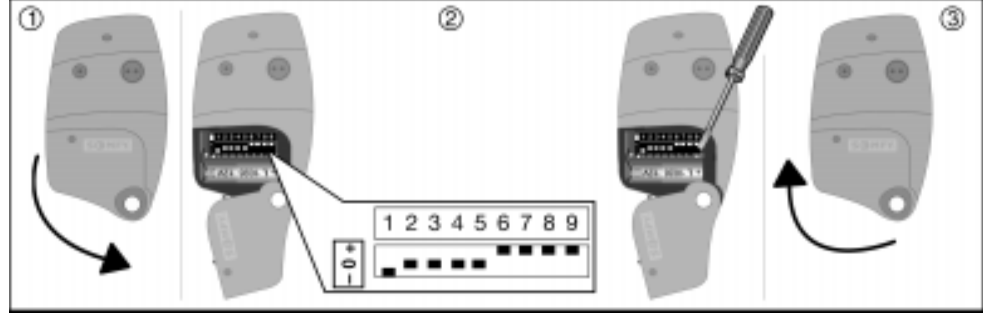
1. Güvenlik kodunun ayarlanması



Somfy Security System hakkında uyarı:

Güvenlik nedenleri ile en az bir şalter mutlaka + veya 0 konuma ayarlanmış olmalıdır, böylece uzaktan kumanda aleti işletme sırasında öğrenebilsin. Yani güvenlik kodu "-----" geçersizdir.

Uzaktan kumanda aleti aletinizi kendi kişisel güvenlik kodunuz ile kodlayınız. Bunun için:



- Uzaktan kumanda aleti aletinin kapağını açınız (1).
- İstenilen kodu, örneğin bir tornavida ile ayarlayınız (2).
 - 1 ve 9 arasında serbestçe seçtiğiniz sayıda şalteri + / - veya 0 a ayarlayınız.
- Uzaktan kumanda aleti aletinin kapağını kapatınız (3).

Uzaktan kumanda aleti aletiniz şimdi çalışmayı öğrenebilir.

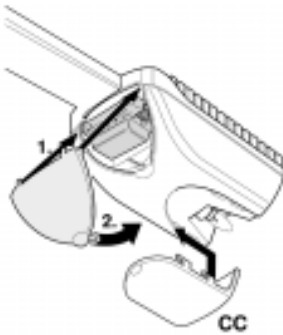
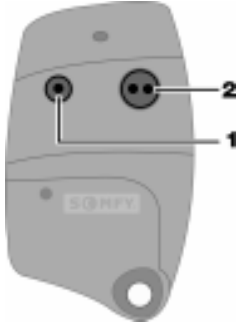
2. Uzaktan kumanda aleti aletinin çalışmayı öğrenmesi

Uzaktan kumanda aleti aletinin programlanmasına başlamadan önce uzaktan kumanda aleti aletinin **1** veya **2** tuşlarından birini kumanda tuşu olarak belirleyiniz. Daha sonra sadece bu tuş üzerinden garaj kapısı tahrik sistemini kumanda edebilirsiniz. Bu tuş aşağıdaki açıklamalarda "Tuş 1" olarak anılacaktır.

- Kapı tahrikindeki programlama tuşu **b** ye kısaca (yaklaşık 1 saniye) basınız.
 - Tahrik sistemi aydınlatması yanıp söner.
 - Tahrik sistemi aydınlatması sürekli yanarsa, programlama tuşu çok uzun süre basılmıştır. Bu durumda şebeke fişini çekiniz ve tekrar takınız. "Uzaktan kumanda aleti aletinin öğrenmesini" tekrarlayınız.
- Uzaktan kumanda aletindeki istenilen tuş 1'e yaklaşık 2 saniye, tahrik sistemi aydınlatması sönüncüye ve ardından yeniden yanıp sönüncüye kadar basınız.
- Uzaktan kumanda aleti üstündeki aynı tuşa yaklaşık 2 saniye, tahrik sistemi aydınlatması sönüncüye ve tekrar kısa süreli yanıncaya kadar basınız.

Uzaktan kumanda aleti çalışmayı öğrendi.

- Öğrenme işleminin sona ermesinden sonra elektroniğin kapaklarını ve tahrik sistemi aydınlatması **CC** yi takınız.



3. Diğer uzaktan kumanda aleti aletleri

Bir uzaktan kumanda aleti aletine çalışmayı öğrettikten sonra diğer uzaktan kumanda aleti aletlerini aşağıdaki ön şartlar dahilinde bir öğrenme işlemi olmadan kullanabilirsiniz:

- Aynı güvenlik kodu ayarlanmış ise,
- Aynı kumanda tuşu (Tuş 1) kullanılıyorsa.

4. Uzaktan kumanda aleti aletinin silinmesi

Şimdiye kadar kaydedilmiş olan değerlerin üzeri yazılarak öğretilmiş olan uzaktan kumanda aleti silinir.

Bu,

- siz uzaktan kumanda aleti aletine yeni bir kumanda tuşu öğretirseniz, veya
- eğer siz yeni bir güvenlik kodlu bir uzaktan kumanda aleti aletine çalışmayı öğretirseniz (bkz. "Güvenlik kodunun ayarlanması) gerçekleşir.



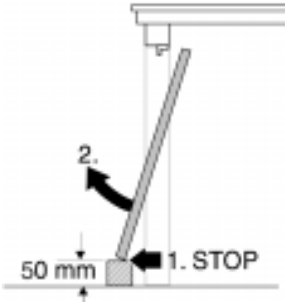
Uyarı:

Bir uzaktan kumanda aleti aletinin silinmesi, aynı güvenlik kodu veya aynı kumanda tuşu ile programlanmış tüm uzaktan kumanda aleti aletlerinin silinmesi anlamına gelir.

Engel tanımının kontrolü

İlk işletmeye almada ve ardından en az ayda 1 kez:

- En az 50 mm yüksekliğinde uygun bir cisim (örneğin ahşap takoz) garaj kapısının hareket yoluna (Kapı kapama hareketi) bırakınız.
- Garaj kapısı tahrik sistemini çalıştırınız.
 - Cismin üzerine geldiğinde garaj kapısı durur, en üst mekanik son dayanağa kadar ve ardından programlanmış en üst son konuma kadar geri gider.
 - Tahrik sistemi aydınlatması bir saniyelik periyotlarda yanıp söner.
- Garaj kapısı tahrik sisteminin tekrar çalıştırılması ile yanıp sönmeye durur.
 - Bu gerçekleşmez ise, lütfen servis hattına müracaat ediniz.



Aksesuarların bağlanması

Hazırlık



Elektrik çarpması tehlikesi

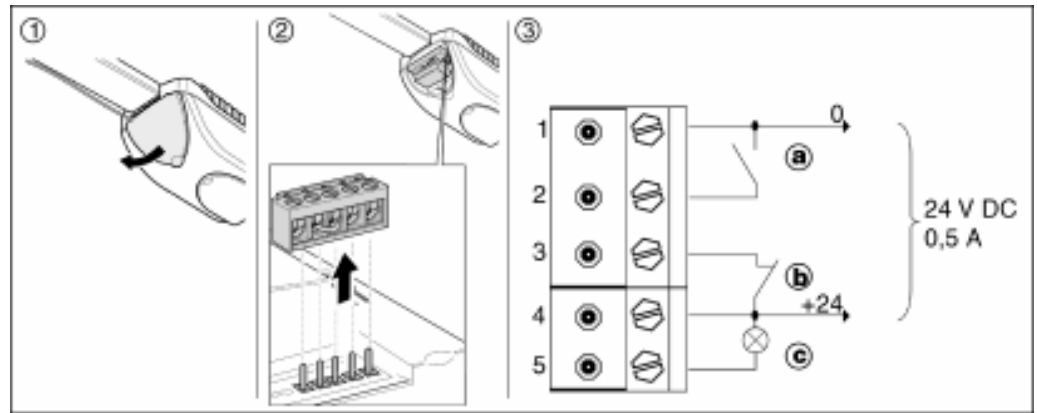
Aksesuarların bağlanmasından önce şebeke fişi çıkartılmalıdır.



Dikkat!

Sadece orijinal aksesuarları kılavuz göre bağlayın. Muhtemel serbest kontaklar – herhangi bir yabancı gerilim vermeyiniz!

- Elektroniğin koruma kapağını çıkartınız (1).



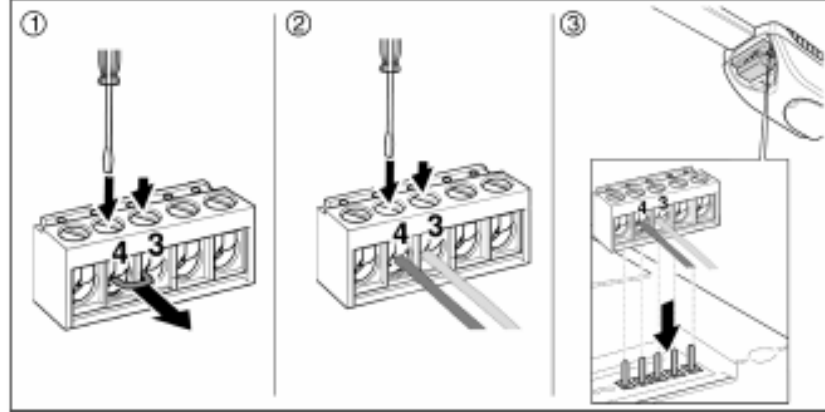
- Bağlantı hatlarının takılması için sıkıştırma çitasını çıkartınız (2).

Bağlantı kullanımı (3):

- **a** Tuş bağlantısı
- **b** Işıklı bariyer bağlantısı
- **c** İkaz lambası bağlantısı

Işıklı bariyer, kayar kapı kontağı, güvenlik kontak çitası**Dikkat!**

Güvenlik aksesuarlarının bir uzman firma tarafından bağlanmasını sağlayınız.



- Bağlantı terminali 3 ve 4 ü açınız (küçük tornavida) (1).
Tel köprüyü çıkartınız.
- Bağlantı hatlarını 3 ve 4 e takınız ve sıkınız (2).
- Sıkıştırma çitasını tekrar takınız (3).
- Şebeke fişini takınız, fonksiyonunu kontrol ediniz.

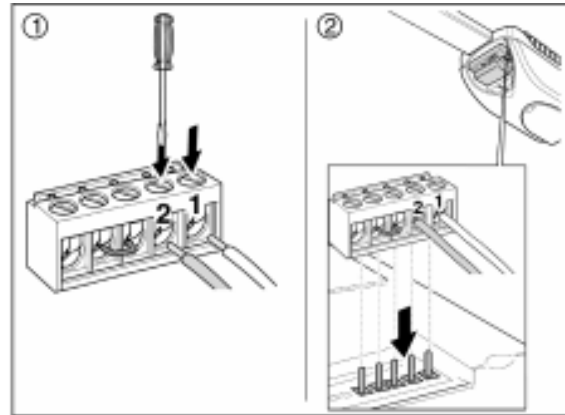
**Uyarı:**

Eğer bir çok güvenlik aksesuarı kullanılacaksa bunlar mutlaka seri bağlanmalıdır.

İç, kod, anahtar tuşları**Tuşların yerleştirilmesi:**

- Garaj kapısının görüş alanına,
- Hareket eden parçalardan uzak,
- İç tuşlar en az 1,5 m yüksekliğe yerleştirilmelidir.

- Bağlantı terminali 1 ve 2 yi açınız (küçük tornavida).



- Bağlantı hatlarını takınız ve sıkınız (1).
- Sıkıştırma çitasını tekrar takınız (2).
- Şebeke fişini takınız, fonksiyonunu kontrol ediniz.

**Uyarı:**

Eğer birçok tuş takımı kullanılacaksa bunlar mutlaka paralel bağlanmalıdır.

İkaz lambaları

İkaz lambası kapı hareketi sırasında yanıp söner.

- İkaz lambası sinyal çıkışı terminal 4 ve 5 e bağlanmalıdır.

24 V ÇIKIŞ

24 V çıkış, bir ışıklı bariyer veya bir güvenlik kontak çitasının beslenmesine hizmet eder, bağlantı terminal 1 ve 4 e yapılır.

Kullanma kılavuzu

Garaj kapısının açılması, kapatılması veya durdurulması



Yaralanma tehlikesi

Garaj kapısını sadece eğer hareket alanı içerisinde bir kişi veya eşya bulunmuyorsa açınız veya kapatınız.

Akım kesilmesinde veya tahrik arızalarında garaj kapısı yalnızca iç veya dış acil kilit açma tertibatı ile açılmalıdır. Eğer kapı acil kilit açma tertibatı çalıştırdıktan sonra sadece fazla kuvvet kullanımı ile çalıştırılabiliyorsa mutlaka bir garaj kapısı uzmanı çağrılmalıdır.

Araç içindeki uzaktan kumanda aleti aletini, sürüş sırasında örneğin fren yapıldığında hasar görmeyecek şekilde saklayınız.



Dikkat!

Uzaktan kumanda aleti yüksek sıcaklıklara maruz (Örneğin araç içinde direk güneş ışığı altına) bırakılmamalıdır.

- Uzaktan kumanda aleti garaj kapısına yöneltilmeli ve tuşa 1, 2 saniye basılmalıdır veya
- Tuş takımı çalıştırılmalıdır (örneğin anahtarlı tuşlar).
 - Tahrik sistemi aydınlatması açma veya kapatma sonrasında 60 saniye süreyle yanar.



Uzaktan kumanda aleti aletinin veya tuş takımının çok kereli çalıştırılmasında işlem akışı:

Aç – Durdur – Kapat – Durdur – Aç – Durdur – Kapat – Durdur – vs.

İç acil kilit açma tertibatı

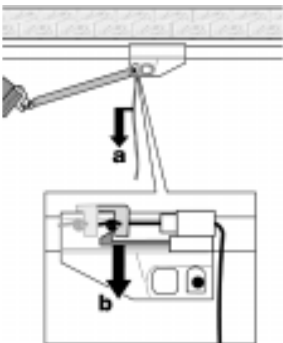
Acil durumlarda veya akım kesintilerinde garaj kapısı tahrikten ayrılarak ve içeriden (elle) açılabilir.



Yaralanma tehlikesi

Açılan garaj kapısı kilit açma sırasında aşağıya düşebilir, çünkü yaylar güçsüz veya kırıktır veya kapı yetersiz dengelenmiştir.

- Garaj kapısı tahriki kilidini açınız, bunu için **a** ipini çekiniz.
 - Kol kenetlenir ve garaj kapısı elle açılabilir.
- Garaj kapısı tahrikini bağlantı için hazırlayın, bunun için plastik kolu **b** aşağıya doğru bastırınız.
- Ardından garaj kapısını elle başlangıç konumuna getiriniz.
 - Bağlantı sırasında açık bir "Klick" sesi duyulmalıdır.



Uzaktan kumanda aletindeki pillerin değiştirilmesi



Dikkat!

Pillerin usulüne uygun olmayan değiştirilmesinde tehlike vardır. Değiştirmede sadece aynı pil tipi, akmaya karşı güvenli piller kullanılmalıdır.

Kullanılmış piller çevreyi tehlikeye sokar!

Kullanılmış piller ev çöpüne atılmamalıdır. Çevre dostu bir imha için sorumluluk alınız. Üreticinin verilerine dikkat ediniz.

- Kullanılmış pili yeni bir pil ile değiştiriniz.
 - Pil tipi: L 1028/12 V



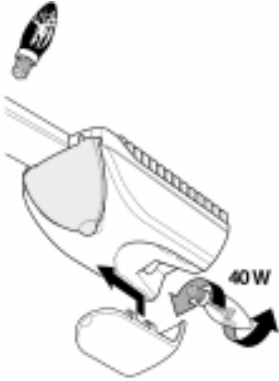
Ampul değiştirme



Elektrik çarpması tehlikesi!

Ampulün değiştirilmesinden önce şebeke fişi çıkartılmalıdır.

- Tahrik sistemi aydınlatmasının kapağını çıkartınız.
- Ampulü yenisi ile değiştiriniz (azami 40 W, duy E14).
- Kapağı yerleştiriniz ve kenetleyiniz.
- Şebeke fişini takınız.



Düzenli kontrol



Dikkat!

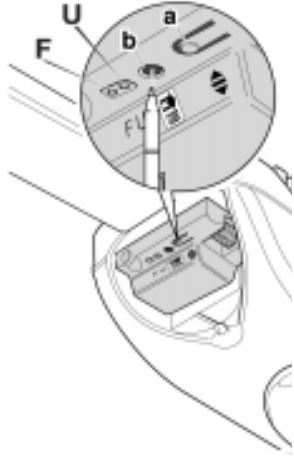
Kapı mekanizindeki onarımlar veya ayarlama çalışmaları sırasında sistemi kullanmayınız, çünkü sistemdeki hatalar veya kapının yanlış dengelenmesi yaralanmalara neden olabilir.

- Ayda bir kez aşağıdaki fonksiyonlar kontrol edilmelidir:
 - Engel tanıma (bkz. Bölüm "İlk çalıştırma")
 - Ek olarak monte edilmiş tüm aksesuar parçalarının fonksiyonları (özellikle güvenlik donanımları)
- Tüm sistemin (Kapı ve tahrik) mekanik fonksiyonları kontrol edilmeli (aşınma, hasar görme özellikle yayların ve bağlantı parçalarının) ve elektrik tesisatı gözden geçirilmelidir.

Eğer akım beslemesi kesilirse ne olur?

- Tahrik sistemi aydınlatması akım beslemesinin tekrar gelmesinden sonra 1 saniye için yanar.
- Bir sonraki kumanda sinyalinde garaj kapısı en üst mekanik son dayanağa kadar (referans noktası) hareket eder ve ardından programlanmış en üst son konuma geri gider.
- Eğer ardından tahrik sistemi aydınlatması sürekli yanarsa, ilk çalıştırma yeniden yapılmalıdır.

Arızaları kendiniz gideriniz



Arıza	Muhtemel nedeni	Yardım
Optik gösterge: Şebeke fişi takıldıktan sonra ve / veya ilk çalıştırma sırasında sürekli ışık	Son konum ayarlamaları ve / veya test çalıştırması henüz tamamlanmamış.	Şebeke fişi sıfırlaması: Şebeke fişini çıkartınız ve tekrar takınız. Son konum ayarlaması ve test çalışmasını kullanma kılavuzuna göre yapınız.
Tahrik sistemi aydınlatması düzenli olarak yanıp sönüyor (Bir saniyelik periyotlarda).	Engel durumu ortaya çıkmış (örneğin engel tanınması veya ışıklı bariyer, kayma kapısı kontağı gibi güvenlik donanımı tetiklenmiş).	Engeli uzaklaştırın, garaj kapısını açınız / kapatınız.
Tahrik sistemi aydınlatması düzensiz olarak yanıp sönüyor (Üç saniye KAPALI bir saniye AÇIK).	Elektronik bileşenlerin kontrolü sırasında elektronik bir düzensizlik belirlemiştir.	Sıfırlama: Kumanda tuşuna a ve programlama tuşuna b aynı anda 5 saniye süreyle basınız (Tahrik sistemi aydınlatması yanıp söner). Sıfırlama onayı sürekli ışık ile. Son konumları yeniden ayarlayınız ve test çalıştırması yapınız. Öğrenen uzaktan kumanda aleti bu sırada silinmez. Tahrik sistemi aydınlatması son konum programlaması sırasında yeniden düzensiz olarak yanıp sönüyorsa lütfen servis hattı ile temasa geçiniz.
Tahrik sistemi aydınlatması yanmıyor.	Ampul arızalı.	Değiştiriniz.
Garaj kapısı tahriki uzaktan kumanda aleti kullanıldığında çalışmıyor.	Uzaktan kumanda aleti aletin pili bitmiştir / yanlış takılmıştır	Pili kontrol ediniz, gerektiğinde pili değiştiriniz.
	Kod alıcıda henüz okunmuyor.	Uzaktan kumanda aleti kaydedilmelidir.
	Son konum ayarlaması test çalışması tamamlanmamış.	Son konum ayarlaması, test çalışması yapınız ve tamamlayınız. Ardından uzaktan kumanda aleti aletini kaydediniz.
Garaj kapısı tahriki kapıyı tam olarak / hiç açmıyor / kapatmıyor.	Kapı mekaniğinde hasar.	Kapı mekaniğini kontrol ediniz. Garaj kapısı uzmanı tarafından onarılmasını sağlayınız.
	Uygunsuz dış etkenler (örneğin kuvvetli yağmur) kapı ağırlığını artırmış. Garaj kapısı tahriki bu durumu engel olarak algılıyor.	Son konumları yeniden ayarlayınız ve test çalıştırması yapınız. Öğrenen uzaktan kumanda aleti bu sırada silinmez. Eğer arıza kalırsa lütfen servis hattı ile temasa geçiniz.
	Şebeke gerilimi yok (Işıklı diyot U yanmıyor)	Prizde şebeke geriliminin olup olmadığını bir uzmana kontrol ettiriniz.

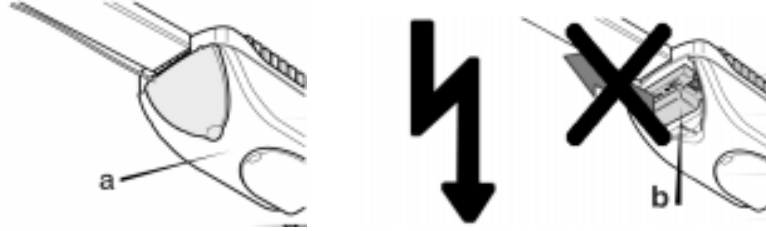
Müşteri hizmetleri

230 Volt bölgesindeki arızalar sadece bir elektrik ustası veya sözleşmeli müşteri hizmetleri tarafından giderilmelidir. Tekrar ortaya çıkması halinde veya başka arızalarda lütfen en yakın sözleşmeli müşteri hizmetlerine müracaat ediniz.



Dikkat!

Koruma kapağı (a) sadece ustası tarafından VDE 0100 e göre çıkartılmalıdır (Elektrik çarpması tehlikesi). Aksi taktirde garanti kapsamı ortadan kalkar.



Elektrik çarpması tehlikesi!

Kumanda elektroniğindeki (b) çalışmalar sadece akımsız durumda yapılmalıdır! Kumanda elektroniği dışarı çıkartılmamalıdır!

Aksesuarlar

Bu aksesuarları yetkili bayilerden temin edebilirsiniz. Konu hakkında daha fazla bilgiyi size SOMFY garaj kapısı tahrikleri yetkili bayileri seyerek verecektir.

Ek güvenlik için aksesuarlar

	SOMFY ürün No.	Açıklama
Dış taraftan acil kilit açma tertibatı		Eğer garaja ikinci bir giriş mevcut değil ise mutlaka bir dış acil kilit açma tertibatı monte edilmelidir. Böylece garaj kapısı dışarıdan (elle) örneğin akım kesildiğinde / arızada açılabilir.
– Devrilir / dilimli ve kollu devrilir kapılar için	9 000 018	
– Kollu veya kolsuz kullanılan tüm kapı çeşitleri için (Acil kilit açma tertibatı kilidi)	9 000 032	
Kayar kapı kontağı	9 000 007	Açık durumdaki kayar kapıda (Kapı içinde kapı) garaj kapısı tahriki tarafından bir kapı hareketini engeller.
Yer kilidi	9 000 003*	
Kilitleme sustası olmayan kilitleme takımı	9 000 019*	
Yandan kapı kilidi	9 000 004*	
Işıklı bariyer	9 000 025	Işık huzmesinin kesilmesi ile garaj kapısı hemen durur. Kapı kapatma yönünde engele izin verilmiştir.
İkaz lambası	9 000 030	

* Ek olarak kılavuz kol gereklidir (Sipariş No. 9 000 002)

Daha yüksek kullanım konforu için aksesuarlar

	SOMFY ürün No.	Açıklama
Sıva altı tuş takımı	9 000 021	
İç tuşlar	9 000 008	
Kod tuşları	9 000 028	
2 kanal uzaktan kumanda aleti açık gri	1 800 037	433.42 MHz
4 kanal uzaktan kumanda aleti, Fun	1 800 035	433.42 MHz
4 kanal uzaktan kumanda aleti, koyu gri	1 800 029	433.42 MHz

Özel montaj şartları için aksesuarlar

	SOMFY ürün No.	Açıklama
Tavan askısı (Açılı)	9 000 034	Azami 270 mm ye kadar asmak için.
Garaj kapısı tahrik sistemini asmak için delikli ray	9 000 001	Toplam uzunluk 1 m, asmak için 400 mm ye kadar
Tavan askısı (Teleskop)	9 000 042	Azami 1500 mm ye kadar asmak için.
Kılavuz kol uzatması	9 000 006*	Geniş kirişlerde (azami 400 mm ye kadar) kullanmak üzere, eğer kılavuz kol kirişe dayanıyorsa
Uzatma çubuğu	9 000 005*	Kapı üst kenarı ve garaj tavanı arasındaki mesafe az olduğunda ve eğer garaj kapısı tahriki komple arkaya taşındığında (azami 2,5 m ye kadar) gereklidir.
Kanatlı kapı kaplaması	9 000 009	Kapı kanadı genişliği her kanat için azami 1,5 m. Ek uyarılar için bkz. "Kullanılabilirlik"
Dilimli kapı kaplaması	9 000 016	300 ila 500 mm yüksekliğindeki kapı elemanları için
Bağlantı halkası	9 000 040	Üst bölme kapısı elemanının kuvvetlendirilmesi için.
Eğik kılavuz kolu	9 000 023	Dilimli kapılar için, eğer kapı elemanındaki tutma ve bağlama raylarına ihtiyaç duyulmazsa
Kaldırma kolu	9 000 015	Düşey hareket rayları olan devirmeli kapılar için.
Ray uzatma takımı	9 000 031	Yaklaşık azami 700 mm.

* Ek olarak kılavuz kol gereklidir (Sipariş No. 9 000 002)

Üretici açıklaması



(Bkz. Sayfa 230)

Üretici SOMFY GmbH, Felix-Wankel-Staße 50, D-72108, Rottenburg a.N., burada açıklar ki:

Kapı tahriki Tip KEASY L+ KEASY XL+ DIN EN 12453:2001, DIN EN 60335-1:1995,
DIN EN 60335-2-95:2001 e göre 99/5/EG, 98/37/EG makine yönetmeliğe uygundur.

Uyarı:

Bu kapı tahrikinin monte edilmesi gereken kapı sisteminin işletmeye alınması,
kapı sisteminin 98/37/EG yönetmeliğinin hükümlerine uygun olduğu belirleninceye kadar yasaktır.
Rottenburg, 16.02.2004



Tasarım merkezi şefi
adına imzalayan Dieter Thomas

Содержание

Содержание	209
Используемые в этой инструкции символы	210
Указания по утилизации	210
Для Вашей безопасности	211
Использование по назначению.....	211
Важные указания по технике безопасности.....	211
Указания для людей с водителями ритма сердца	211
Защитные устройства	211
Подготовка к монтажу	212
Краткий обзор	212
Технические данные	212
Применимость	213
Максимально допустимые габариты гаражных ворот	213
Прочность гаражной перемычки и потолка	213
Имеющаяся в наличии механика ворот	214
Электроподключение	214
Дополнительные защитные устройства	214
Инструкция по монтажу	214
Важные указания по безопасному монтажу	214
Проверка содержимого упаковки на комплектность	215
Примеры монтажа в различных ситуациях	215
Предварительная сборка привода для гаражных ворот	215
Монтаж.....	216
Инструкция по установке	217
Ввод в эксплуатацию	217
Установка / изменение конечных положений гаражных ворот	217
«Обучение» ручного пульта управления	219
Проверка устройства распознавания препятствий.....	220
Подключение принадлежностей	220
Подготовка	220
Световой затвор, контакт для двери в воротах, предохранительная контактная планка ..	221
Выключатели внутренний, кодовый, приводимый в действие ключом	221
Лампа предупредительной световой сигнализации	222
Выход 24 В	222
Инструкция по эксплуатации	222
Открытие, закрытие или остановка гаражных ворот	222
Внутренняя аварийная разблокировка	222
Замена батарейки в ручном пульте управления	223
Замена лампы накаливания	223
Регулярные проверки	224
Что случается при отключении электроэнергии?	224
Устранение неисправностей	225
Как самостоятельно устранить неисправности	225
Служба сервиса	226
Принадлежности	227
Принадлежности для дополнительной безопасности	227
Принадлежности для повышения удобства управления	228
Принадлежности для монтажа в особых условиях	228
Декларация изготовителя	229

Используемые в этой инструкции символы



Внимание! Важное указание по технике безопасности.

Для безопасности людей жизненно важно соблюдать данные указания.



Осторожно! Указание по технике безопасности.

При несоблюдении угрожает опасность травмирования или материального ущерба.



Указание:

Здесь приводятся рекомендации по правильному использованию и прочая важная информация.



Опасность поражения электрическим током!

Перед началом любых работ извлекайте вилку из розетки.



Использование только в сухих помещениях.



Разверните складные страницы, расположенные спереди.



Разверните складные страницы, расположенные сзади.



Эта цифра обозначает номер рисунка, изображенного на одной из складных страниц и относящегося к конкретному описанию в инструкции.

- Точка обозначает указание к действию!
 - С помощью тире указывается на пункты, которые заслуживают особого внимания.

Указания по утилизации



Эти указания следует выполнять в случае, если Вы заменяете имеющийся привод для гаражных ворот на новый:

- Отслужившие свой срок устройства – это не бесполезный мусор. Благодаря экологичной утилизации, из них можно получить дорогостоящее сырье.

Для защиты Вашего нового привода от коррозии при транспортировке и хранении на некоторые из его деталей была нанесена смазка. Сдайте, пожалуйста, на экологичную утилизацию оставшиеся после монтажа устройства загрязненные смазкой элементы упаковки и ветошь для протирки.

Используемые упаковочные материалы не опасны для окружающей среды и пригодны для вторичного использования. Сдайте их, пожалуйста, также на экологичную утилизацию.

Батарейки из пульта дистанционного управления нельзя выбрасывать вместе с бытовыми отходами.

Об актуальных методах утилизации Вы сможете узнать в той торговой организации, где Вы приобрели Ваш привод, или в органах коммунального управления.

Для Вашей безопасности

Использование по назначению

Привод подходит для установки на ворота, отвечающие требованиям нормативной документации EN 12604 или EN 13241, с учетом эксплуатационной мощности и указаний, содержащихся в инструкции по эксплуатации.

Данный привод разрешается использовать исключительно



- для автоматического открывания и закрывания гаражных ворот,
- в сухих помещениях,
- на личном участке,
- с учетом описаний и соблюдением указаний по технике безопасности, приведенных в данной инструкции по эксплуатации.

Использование привода в каких-либо иных целях считается использованием не по назначению.

Важные указания по технике безопасности



Внимание!

Для обеспечения безопасности людей жизненно необходимо строго выполнять все приведенные ниже указания:



- Данную инструкцию по эксплуатации следует хранить в надежном месте на случай передачи привода другому владельцу. Перед началом монтажа внимательно прочтите всю инструкцию и уделите особое внимание указаниям по технике безопасности.
- Выполняйте все рабочие операции в той последовательности, как это описано в инструкции, и хорошо ознакомьтесь с принципом управления приводом.
- Используйте только имеющийся в комплекте поставки или рекомендуемый к использованию крепежный материал и только фирменные запчасти и принадлежности.
- После ввода привода в эксплуатацию проинструктируйте всех пользователей, как привод функционирует, и как им управлять.
- Края гаражных ворот и их механизм представляют собой опасность для людей (ушибы, порезы). Поэтому открывать и закрывать ворота можно только, если Вам хорошо виден участок, по которому движутся ворота, и Вы уверены, что поблизости от ворот никого нет.
- Храните ручной пульт дистанционного управления в месте, исключающем нечаянное включение привода, например, играющими детьми.
- Привод можно устанавливать только на хорошо отнивелированные ворота с уравновешенным весом. Неправильно выровненные ворота могут привести к травмированию пользователя.
- Перед началом работ по установке ворот или привода сначала всегда извлекайте вилку из розетки.
- Поврежденный сетевой провод следует немедленно заменить (поручать это можно только квалифицированному электрику).
- Никогда не беритесь за перемещающиеся ворота или за подвижные элементы их конструкции.



Указания для людей с водителями ритма сердца

Мощность передатчика ручного пульта управления отвечает требованиям соответствующих норм и в основном не вызывает опасений. Чтобы полностью исключить любой самый незначительный риск, мы рекомендуем в качестве профилактической меры не пользоваться пультом, прижимая его к телу. Для Вашей безопасности лучше, если Вы будете держать пульт в вытянутой в направлении гаражных ворот руке.

Защитные устройства



Защитные устройства защищают пользователя от травмирования и материального ущерба. Никогда не выводите защитные устройства из эксплуатации и не пытайтесь намеренно обойтись без них.

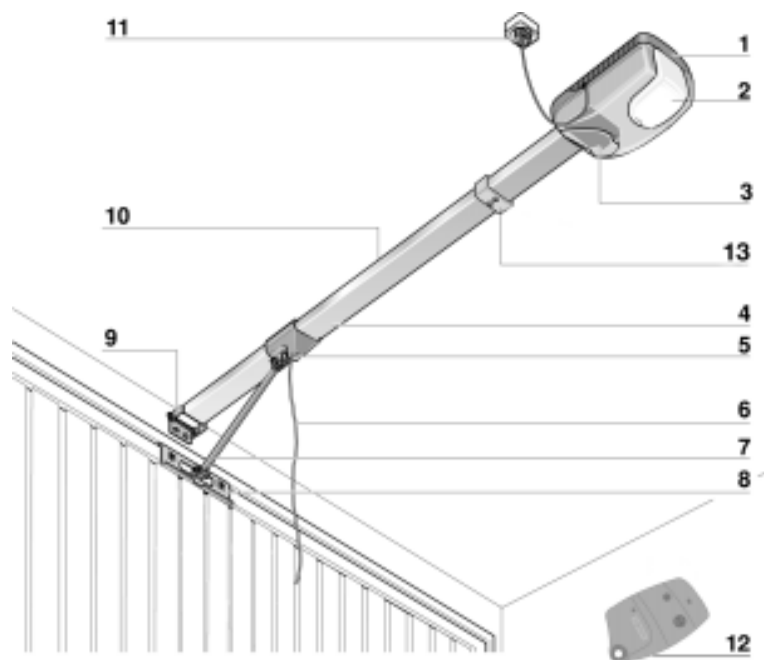
Автоматическое распознавание препятствий

При наезде ворот на какое-либо препятствие при открывании данная система останавливает ворота. При наезде ворот на какое-либо препятствие при их закрывании это препятствие затем освобождается, гаражные ворота перемещаются сначала до верхнего механического концевого упора (базовая точка) и потом до запрограммированного верхнего конечного положения.

- Устройство автоматического распознавания препятствий следует раз в месяц проверять на правильность функционирования (смотрите раздел «Ввод в эксплуатацию»).

Кроме того, мы рекомендуем установить дополнительные защитные устройства (смотрите раздел «Принадлежности»).

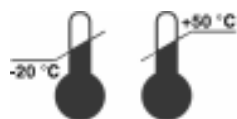
Краткий обзор



- | | |
|---------------------------------------|--|
| 1. Приводная головка | 8. Уголок для крепления кронштейна к полотну ворот |
| 2. Освещение привода | 9. Стопорный уголок перемычка/потолок |
| 3. Электронная система управления | 10. Цепь с устройством разворота (замаскированная) |
| 4. Ходовой рельс | 11. Сетевая вилка |
| 5. Передвижная каретка | 12. Ручной пульт управления |
| 6. Внутренняя аварийная разблокировка | 13. Механический концевой упор |
| 7. Направляющий кронштейн | |

Технические данные

	KEASY L ⁺	KEASY XL ⁺
Вес	~ 15 кг	~ 15 кг
Усилие нажима/ растягивающее усилие	до 500 N бесступенчато ¹⁾	до 700 N бесступенчато ¹⁾
Мягкий страт/мягкая остановка	да, бесступенчато	да, бесступенчато
Диапазон температур	-20 °C...+50 °C	-20 °C...+50 °C
Габариты		
Монтажная длина	3,30 м	3,30 м
Длина хода	2,50 м ²⁾	2,50 м ²⁾
Электрочасть		
Электроснабжение	230 В/50 Гц	230 В/50 Гц
Макс. потребляемая мощность	300 Вт	300 Вт
Расход в режиме ожидания (Standby)	< 4 Вт	< 4 Вт
Вид защиты	IP 20	IP 20
Режим эксплуатации	S2 (кратковременный)	S2 (кратковременный)
Лампа накаливания	макс. 40 Вт/Е 14	макс. 40 Вт/Е 14
Радиочастота	УКВ 433,42 МГц	УКВ 433,42 МГц



CE 06810

- 1) самообучающийся
2) 3,00 м с удлинительным рельсом

Применимость

KEASY L⁺ / KEASY XL⁺

Используются для:

- среднеподвесных ворот,
 - потолочных секционных ворот (необходима фурнитура для секционных ворот, смотрите в разделе «Принадлежности»),
 - створчатых ворот (необходима фурнитура для створчатых ворот, смотрите в разделе «Принадлежности»).
- Дополнительно должно изменяться направление движения цепи привода. Всю необходимую для этого информацию Вы сможете получить в торговой организации, где Вы приобрели привод, или в ближайшей Службе сервиса, работающей по контракту с нами. (прочтите также в инструкции по эксплуатации створчатых ворот, что касается фурнитуры)

KEASY XL⁺

Используются для:

- откидных ворот (необходим подъемный кронштейн, смотрите в разделе «Принадлежности»),
- боковых секционных ворот (необходима подходящая фурнитура).

Максимально допустимые габариты гаражных ворот

	KEASY L ⁺	KEASY XL ⁺
Площадь: легкие ворота, напр., из жести тяжелые ворота, напр., деревянные	до 7,5 м ² до 6,0 м ²	до 12,0 м ² до 7,5 м ²
Высота: потолочные секционные ворота прочие гаражные ворота с комплектом принадлежностей для удлинения рельса (смотрите в разделе «Принадлежности»)	до 2,3 м до 2,3 м свыше 2,3 до 3,0 м	до 2,3 м до 2,3 м свыше 2,3 до 3,0 м

Прочность гаражной перемычки и потолка

Минимальная предельно-допустимая нагрузка на перемычку и потолок:

- KEASY L⁺: 700 N
- KEASY XL⁺: 900 N



Учитывайте при сверлении толщину потолка (напр., бетонного потолка сборных гаражей)!

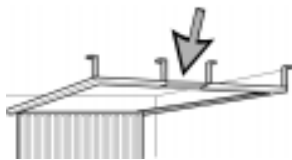
Необходимая глубина отверстий для имеющихся в комплекте поставки привода дюбелей и винтов: **53 мм**

В комплекте поставки имеются стандартные фирменные дюбели. При необходимости воспользуйтесь специальными дюбелями, которые подходят для основания.

Имеющаяся в наличии механика ворот

Вы можете открывать и закрывать ворота вручную легко и без перекоса? Если нет, то поручите квалифицированному специалисту отремонтировать механику ворот.

Если ходовые рельсы гаражных ворот для повышения стабильности соединены поперечиной, то направляющий кронштейн привода может ударяться об эту поперечину. В таких случаях поперечину можно разрезать и часть ее убрать, как показано на рисунке слева. Чтобы не нарушалась прочность ходовых рельсов, прикрепите оставшиеся части поперечины к потолку гаража.



Электроподключение

Имеется у Вас в гараже сетевая розетка на 230 В, расположенная на достаточно близком расстоянии от привода гаражных ворот?

- Длина сетевого провода: **ок. 1 м**

Если нет, то поручите специалисту-электрику выполнить электропроводку.



Дополнительные защитные устройства

Наружная аварийная разблокировка



Если в гараж можно попасть только через ворота, то следует непременно установить устройство наружной аварийной разблокировки (смотрите в разделе «Принадлежности»). С помощью этого устройства гаражные ворота можно открыть снаружи (вручную), например, при отключении электроэнергии / неисправности привода.

Механический концевой упор



Для ввода привода в эксплуатацию и гарантии безупречной работы привода после столкновения ворот с каким-либо препятствием ход гаражных ворот следует непременно ограничить с помощью прочного механического концевого упора (имеется в комплекте поставки).

Блокировка ворот



Привод для гаражных ворот оснащен устройством самостопорения, которое удерживает ворота в закрытом положении. Уже имеющиеся системы блокировки ворот следует автоматизировать (смотрите в разделе «Принадлежности»), снять или вывести из эксплуатации.

Инструкция по монтажу

Важные указания по безопасному монтажу



Внимание!

Неправильный монтаж может привести к получению серьезных травм. Поэтому обязательно строго выполняйте все указания по монтажу!

Если Вам кто-нибудь будет помогать, то это облегчит монтаж привода.



Осторожно!

Перед сверлением отверстий над головой наденьте защитные очки.

Для защиты приводной головки от попадания пыли перед сверлением отверстий накройте ее чем-нибудь.



1

Проверка содержимого упаковки на комплектность

Чтобы можно было проводить монтаж, ни на что не отвлекаясь, проверьте перед его началом содержимое упаковки:

- все ли детали на месте,
- в порядке ли они.

Поврежденные детали привода устанавливать нельзя! Обратитесь за помощью в ту торговую организацию, где Вы приобрели привод.



Указание:

*Детали **AA** из пенопласта необходимы для снижения шума движущейся цепи.*

2

Приготовьте все необходимые для монтажа инструменты.

Примеры монтажа в различных ситуациях

Куда установить стопорный уголок перемычка/потолок и приводную головку?

(На примере среднеподвесных ворот)



3

Для оптимальной передачи усилия привод должен располагаться как можно ниже над точкой наивысшего положения ворот при открывании.

- Определите точку наивысшего положения ворот при открывании **a** (**a** = минимальное расстояние от полотна ворот до потолка гаража). В зависимости от определенного размера имеется несколько возможностей проведения монтажа.

4

1. Размер **a** от 38 мм до 140 мм

- Проведите монтаж привода к потолку гаража.
- Прикрепите стопорный уголок к перемычке или потолку гаража (лучше всего к перемычке).
- Если уголок крепится к перемычке, то расстояние от уголка до потолка должно составлять не менее 15 мм.

5

2. Размер **a** больше 140 мм

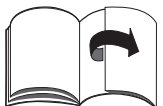
- Прикрепите монтажный уголок перемычка/потолок к перемычке, выдерживая между нижней кромкой рельса и точкой наивысшего положения ворот при открывании расстояние 50 мм.
- Прикрепите привод к потолку на подвеске (для этого необходима перфорированная планка, смотрите в разделе «Принадлежности»).

6

3. Размер **a** меньше 38 мм

- Проведите монтаж стопорного уголка перемычка/потолок и привода гаражных ворот к потолку позади открытых ворот (для этого необходима удлинительная штанга, смотрите в разделе «Принадлежности»). Учитывайте общую длину привода.

Предварительная сборка привода для гаражных ворот



7

- Вставьте в ходовой рельс **A** до упора соединительные детали и соедините все детали рельса между собой.
- Согните по сгибу края вставок **AA** из белого пенопласта, необходимых для уменьшения шума движущейся цепи.
- Вставьте шумопоглотители в середину 4-х направляющих **A**.
- Вставьте предварительно собранный ходовой рельс в приводную головку **C**.

8

- Насадите на ходовой рельс передвижную каретку **D**.
- Соберите из деталей **E, F, G** переднее устройство разворота цепи и вставьте его в ходовой рельс.

9

- Для упрощения намотки цепи **J** можно отсоединить крышку от упаковки для мелких деталей и использовать ее в качестве подкладной детали.
- Сотрите с цепи тряпкой лишнюю смазку.

10

- Вставьте цепь в ходовой рельс.
 - Непременно протяните цепь через передвигную каретку **D** со стороны захвата **I**. Для этого каретку следует отсоединить от рельса (металлический рычаг должен зафиксироваться в пластмассовом рычаге).
- Соедините захват **I** с обеих сторон с помощью соединительных звеньев цепи **H** с цепью **J**.



11

- Для проводки цепи через устройство для ее разворота **F** необходимо с силой сжать пружину **E**. В качестве вспомогательного инструмента можно воспользоваться для этого направляющим кронштейном **M**.
 - Цепь должна быть правильно расположена в ее направляющей и не должна быть скручена.

12

- Закрепите шнур устройства аварийной разблокировки **O**.
- Установите на место защитную крышку **N** для зубчатого колеса.

Монтаж



13

- Присоедините уголок к раме полотна ворот.
 - Крепежные винты можно вкручивать горизонтально или вертикально.

14

- Прикрепите стопорный уголок **L** в зависимости от сложившейся ситуации к потолку или перемычке (смотрите раздел «Примеры монтажа в различных ситуациях»). Глубина просверливаемых отверстий 5,3 см.

15

- Снимите защитную крышку.
- Соедините привод для гаражных ворот со стопорным уголком.
 - Винт можно не затягивать. Потому что он используется вместе с гайкой с самостопорением.

16

- Прикрепите к потолку приводную головку, просверлив в нем отверстия глубиной 5,3 см.
 - Следите за тем, чтобы приводная головка располагалась точно посередине относительно гаражных ворот (в качестве ориентира может служить крепежный уголок **K** на полотне ворот)!

17

- С помощью винта **Y** и гайки **Q** соедините направляющий кронштейн **M** с крепежным уголком и передвигной тележкой. Винты можно не затягивать полностью, так как они используются вместе с гайками с самостопорением.

Если ворота не оснащены прочным механическим концевым упором, то в этом случае следует установить упорный уголок **Z**, как описано ниже:

- Полностью откройте гаражные ворота. Упорный уголок следует располагать при полностью открытых воротах сразу за передвигной кареткой.
- Обозначьте места для отверстий и затем просверлите их металлическим сверлом \varnothing 3,6 мм.
- Прикрутите упорный уголок с помощью тянущих винтов **ZZ**.

18

- Проверьте ручную ход ворот. Для этого передвигную каретку следует разблокировать.
- Полностью откройте гаражные ворота и затем закройте их.
- При закрытых воротах подготовьте привод для соединения с ними, для чего нажмите на пластмассовый рычаг по направлению вниз. Блокировка будет снята, как только металлический рычаг расфиксируется. Затем переведите ворота ручную в положение «Ворота открыты», что значит: передвигная каретка соединяется с захватом.

Инструкция по установке

Ввод в эксплуатацию



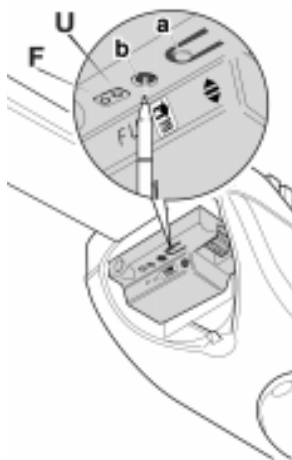
Опасность травмирования!

При вводе привода в эксплуатацию и его настройке людей и посторонние предметы следует удалить с участка, по которому движутся ворота.



Указание:

Постоянно горящая лампочка освещения привода может сильно нагреть его защитную крышку. Поэтому ввод привода в эксплуатацию следует проводить без крышки.



- Вставьте вилку в сетевую розетку. Загорится лампочка освещения привода и будет гореть, не мигая.
- Проверьте, зафиксирована ли цепь с помощью захвата в передвижной каретке. Гаражные ворота не должны поддаваться перемещению вручную.

F Светодиод, который светится при приеме радиосигнала

U Светодиод, который светится, когда привод находится под напряжением

a Кнопка управления

b Кнопка программирования

Установка / изменение конечных положений гаражных ворот

Процесс установки всегда включает в себя установку верхнего и нижнего конечных положений и пробный ход.

В качестве верхнего конечного положения принимается положение передвижной каретки при полностью открытых воротах.

В качестве нижнего конечного положения принимается положение передвижной каретки при полностью закрытых воротах.

Установка должна проводиться в том порядке, который приведен ниже, и считается законченной, когда гаснет лампочка освещения привода. Только после этого ручной пульт управления можно регистрировать.



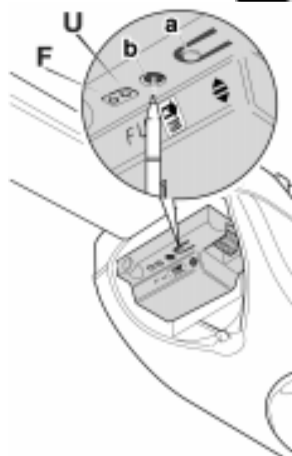
Осторожно!

В качестве ограничителя хода ворот (верхнее конечное положение) обязательно должен быть установлен прочный концевой упор, так как иначе при настройке движущиеся детали привода начнут перемещаться дальше, и механизм ворот может быть поврежден.



Указание:

На кнопку программирования можно лишь слегка нажимать (например, с помощью шариковой ручки).



Для прерывания процесса настройки просто извлеките вилку из розетки. После того как вилка снова будет вставлена в розетку, весь процесс настройки следует повторить сначала.

Минимальное расстояние между верхним и нижним конечными положениями должно составлять 30 см. Меньшее расстояние запрограммировать невозможно.

1. Установка верхнего конечного положения

- Нажимайте на кнопку программирования **b** в течение минимум 2 секунд (с помощью шариковой ручки), после чего должна погаснуть лампочка освещения привода.
 - Лампочка освещения привода снова загорается.
 - Если освещение мигает, то это значит, что кнопка программирования была нажата в течение слишком короткого времени. В этом случае извлеките вилку из розетки и затем снова вставьте ее в розетку. Установку конечных положений придется начать сначала.

- Коротко нажмите на кнопку управления **a** (ок. 1 секунды).
 - Привод перемещается в направлении «Открытие ворот» до механического концевого упора и оттуда примерно 5 см назад.
 - Это положение можно изменить, для чего следует нажать на кнопку управления **a** и держать ее нажатой, пока ворота не достигнут необходимого Вам положения. После каждого нажатия на кнопку изменяется направление движения цепи привода.
- Если необходимое конечное положение установлено:
 - Нажимайте на кнопку программирования **b** до тех пор, пока лампочка освещения привода не погаснет.
 - Затем лампочка загорается снова.

Координаты верхнего конечного положения записаны в память системы.

2. Установка нижнего конечного положения

- Нажмите на кнопку управления **a** и не отпускайте ее, пока гаражные ворота полностью не закроются (механический упор).
 - Нижнее конечное положение можно при необходимости изменить с помощью кнопки управления **a**, как описано выше.
 - Для более щадящего отношения к механике ворот следует устанавливать такое нижнее конечное положение, чтобы можно было избежать слишком сильного удара ворот о механический упор.
- Нажимайте на кнопку программирования **b** до тех пор, пока лампочка освещения привода не погаснет.
 - Затем лампочка загорается снова.

Координаты нижнего конечного положения записаны в память системы.

3. Выполнение пробного хода

- Коротко нажмите на кнопку управления **a** и подождите, пока гаражные ворота не откроются полностью.
- Снова нажмите на кнопку управления **a** и подождите, пока ворота полностью не закроются.
 - Лампочка освещения привода гаснет.

Процесс установки конечных положений закончен.

Если пробный ход не был успешно завершен, то весь процесс установки придется повторить сначала.

Пробный ход считается полностью завершенным, если он не прерывался. Во время пробного хода привод гаражных ворот работает на полную мощность и при этом автоматически «заучивает», какое усилие ему придется затрачивать на открывание и закрывание ворот. При каждом следующем ходе это усилие будет автоматически подстраиваться (это важно, например, зимой, когда гаражные ворота открываются немного тяжелее).

«Обучение» ручного пульта управления

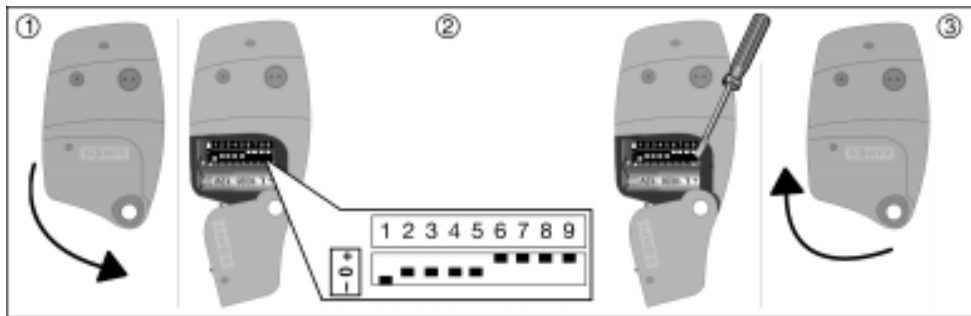
1. Ввод секретного кода



Указание для **системы Somfy Security**:

Из соображений безопасности минимум один выключатель должен быть установлен на + или 0, чтобы ручной пульт управления можно было «обучить» обращению с приводом. Это значит: секретный код «-----» недействителен.

Закодируйте Ваш ручной пульт управления, введя в него Ваш личный секретный код. Для этого:

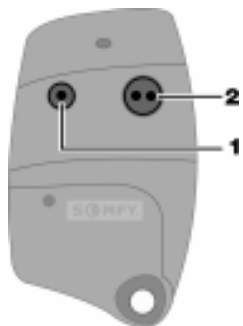


- Снимите защитную крышку ручного пульта (1).
- С помощью, например, отвертки задайте необходимый Вам код (2).
 - Установите любое количество выключателей от 1 до 9 на +/- или 0.
- Закройте ручной пульт управления крышкой (3).

Ваш ручной пульт дистанционного управления теперь можно «обучать» обращению с приводом.

2. «Обучение» ручного пульта управления обращению с приводом

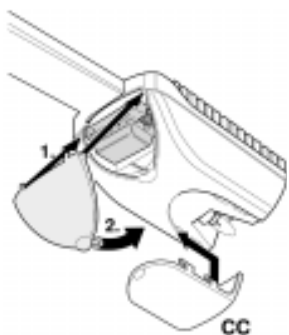
Прежде чем приступить к программированию ручного пульта управления, одну из кнопок пульта **1** или **2** – следует определить как кнопку управления. Только с помощью этой кнопки Вы сможете позже управлять приводом гаражных ворот. Эта кнопка будет в приведенном ниже описании обозначаться как «кнопка 1».



- Коротко нажмите на кнопку программирования **b** (ок. 1 сек).
 - Лампочка освещения привода мигает.
 - Если лампочка светится, не мигая, то это значит, что кнопка программирования была нажата не достаточно продолжительное время. В этом случае извлеките вилку из розетки и затем снова вставьте ее в розетку. Повторите с самого начала процесс «обучения» ручного пульта управления.
- Нажимайте кнопку 1 на ручном пульте мин. 2 сек, чтобы лампочка освещения привода погасла и затем снова замигала.
- Снова нажмите ту же кнопку на пульте примерно на 2 секунды, чтобы лампочка освещения привода погасла и затем еще раз ненадолго вспыхнула.

Тем самым заканчивается «обучение» ручного пульта управления обращению с приводом.

- По окончании процесса «обучения» установите на место крышки электронной системы управления и освещения привода **CC**.



3. Другие ручные пульты управления

После того как Вы «обучили» один пульт управления, другими пультами можно пользоваться без «обучения» при следующих условиях:

- Вами был установлен такой же секретный код,
- для управления Вами используется та же кнопка (кнопка 1).

4. Стирание памяти ручного пульта управления

Память «обученных» пультов управления стирается в процессе перезаписи введенных в память прежних значений.

Это происходит,

- если Вы выбираете другую кнопку в качестве кнопки управления или
- если Вы «обучите» обращению с приводом пульт управления с новым секретным кодом (смотрите раздел «Ввод секретного кода»).



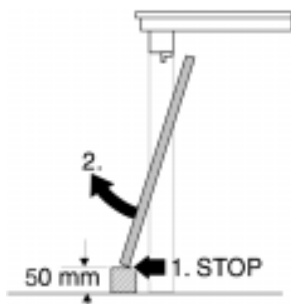
Указание:

Стирание памяти одного ручного пульта управления обозначает стирание памяти всех других пультов, которые были запрограммированы на использование такого же секретного кода или той же кнопки в качестве кнопки управления.

Проверка устройства распознавания препятствий

Такая проверка проводится при вводе привода в эксплуатацию и затем ежемесячно:

- Положите на пути гаражных ворот (ворота должны закрываться) подходящий для проверки предмет высотой мин. 50 мм (например, деревянный брусок).
- Включите привод.
 - При наезде на препятствие гаражные ворота останавливаются, затем перемещаются до верхнего механического концевого упора и потом возвращаются назад до запрограммированного верхнего конечного положения.
 - Лампочка освещения привода мигает каждую секунду.
- После повторного запуска привода гаражных ворот лампочка перестает мигать.
 - Если этого не случилось, обратитесь за помощью в сервисную мастерскую.



Подключение принадлежностей

Подготовка



Опасность поражения электрическим током!

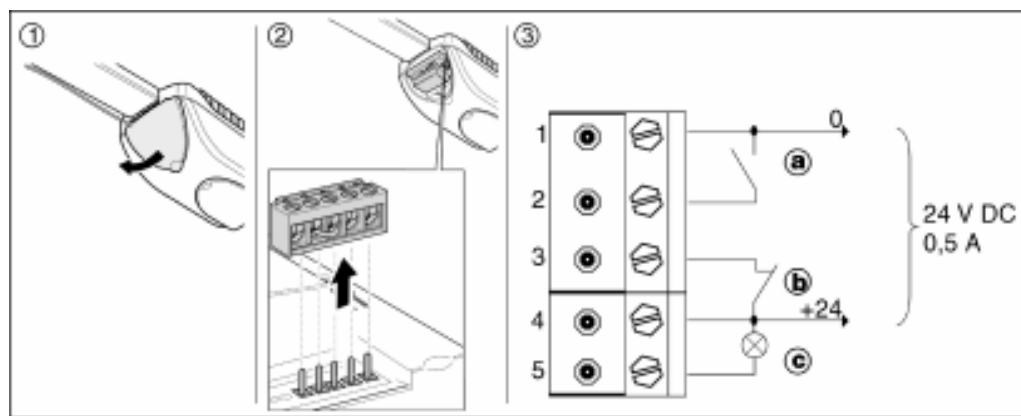
Перед подключением принадлежностей извлеките вилку из розетки.



Осторожно!

Подключать можно только фирменные принадлежности согласно указаниям, приведенным в инструкции. На беспотенциальные контакты нельзя подавать внешнее напряжение!

- Снимите крышку с электронной системы управления (1).



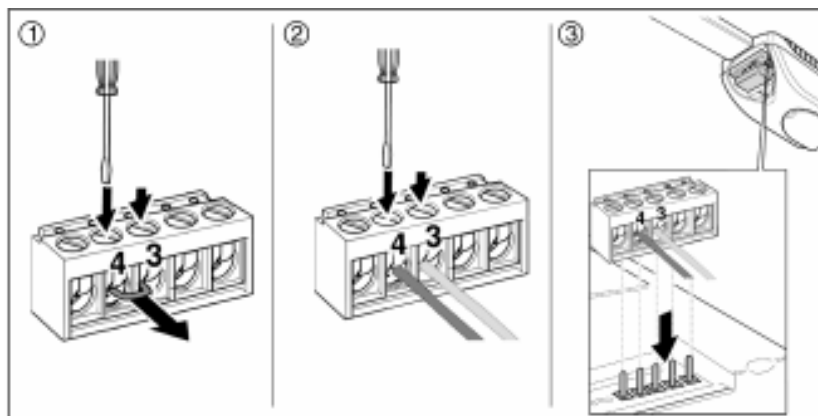
- Для присоединения соединительных проводов к зажимам снимите клеммную колодку (2). Занятость соединительных элементов (3).
 - **a** элемент для присоединения выключателя
 - **b** элемент для присоединения светового затвора
 - **c** элемент для присоединения лампы световой предупредительной сигнализации

Световой затвор, контакт для двери в воротах, предохранительная контактная планка



Внимание!

Поручите подключение защитных принадлежностей специалистам Службы сервиса.



- Откройте клеммы 3 и 4 с помощью маленькой отвертки (1). Снимите проволочную перемычку.
- Вставьте в клеммы 3 и 4 соединительные провода, затяните винты (2).
- Установите на место клеммную колодку (3).
- Вставьте вилку в розетку, проверьте устройство на правильность функционирования.



Указание:

Если используется несколько защитных принадлежностей, то их следует подключать последовательно.

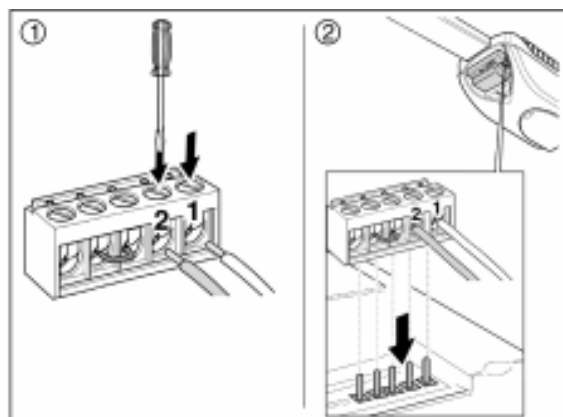
Выключатели внутренний, кодовый, приводимый в действие ключом



Расположение выключателя:

- в пределах видимости от гаражных ворот,
- подальше от подвижных деталей,
- внутренний выключатель на высоте минимум 1,5 м.

- Откройте клеммы 1 и 2 с помощью маленькой отвертки.



- Вставьте в них соединительные провода, затяните винты (1).
- Установите на место клеммную колодку (2).
- Вставьте вилку в розетку, проверьте устройство на правильность функционирования.



Указание:

Если будет использоваться несколько выключателей, то их следует подключать параллельно.

Лампа предупредительной световой сигнализации

Во время перемещения ворот лампа предупредительной сигнализации мигает.

- Лампу следует подключать к выходу клемм 4 и 5.

Выход 24 В

24-вольтовый выход служит для электроснабжения светового затвора или предупредительной контактной планки. Подключение выполняется к клеммам 1 и 4.

Инструкция по эксплуатации

Открывание, закрывание или остановка гаражных ворот



Опасность травмирования!

Гаражные ворота можно открывать или закрывать только тогда, когда на участке их перемещения нет ни людей, ни посторонних предметов.

При отключении электроэнергии или неисправности привода ворота можно открывать только с помощью внутреннего или наружного устройства аварийной разблокировки. Если после приведения в действие устройства аварийной разблокировки ворота поднимаются с большим трудом, то в этом случае следует непременно обратиться за помощью к квалифицированному специалисту.

Храните ручной пульт управления в автомобиле в таком месте, чтобы он во время поездки, например, при торможении не причинил никакого вреда.



Осторожно!

Нельзя допускать, чтобы ручной пульт управления сильно нагревался (например, если его оставить в автомобиле прямо на солнце).

- Направьте ручной пульт управления на гаражные ворота и 1–2 секунды нажимайте на кнопку управления или
- приведите привод в действие с помощью выключателя (например, выключателя с ключом).
 - После открывания или закрывания ворот лампочка освещения привода светится в течение 60 секунд.



Протекание процесса при многократном нажатии кнопки на ручном пульте управления или приведении в действие выключателя:

открывание – остановка – закрывание – остановка – открывание – остановка – акривание – остановка и т. д.

Внутренняя аварийная разблокировка

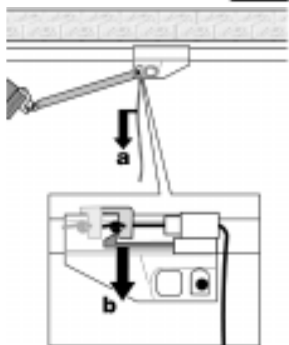
В аварийном случае или при отключении электроэнергии гаражные ворота можно отсоединить от привода и открыть их изнутри (вручную).



Опасность травмирования!

Если пружины ослабли или сломались или ворота недостаточно хорошо сбалансированы, то они после открывания могут при разблокировке упасть вниз.

- Разблокируйте привод гаражных ворот, потянув за шнур **a**.
 - Рычаг фиксируется, после чего гаражные ворота можно открыть вручную.
- Подготовьте привод гаражных ворот для соединения с воротами, для чего нажмите на пластмассовый рычаг **b** по направлению вниз.
- Затем переведите гаражные ворота вручную в исходное положение.
 - При соединении привода с воротами Вы услышите отчетливый щелчок.



Замена батарейки в ручном пульте управления



Осторожно!

При неквалифицированной замене батарейки пульт управления может превратиться для пользователя в источник опасности. Заменять отработавшую батарейку можно только на батарейку такого же типа. Используйте батарейки с гарантией того, что из них не вытечет жидкость.

Отработанные батарейки могут нанести вред окружающей среде!

Поэтому их нельзя выбрасывать вместе с бытовыми отходами. Сдайте батарейки на экологичную утилизацию. Выполняйте рекомендации изготовителя батареек по их правильной утилизации.



- Замените отработавшую батарейку на новую.
 - Тип батарейки: L 1028/12 В.

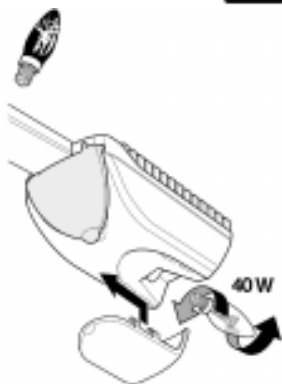
Замена лампы накаливания



Опасность поражения электрическим током!

Перед заменой лампы накаливания извлеките вилку из розетки.

- Снимите защитную крышку лампочки освещения привода.
- Замените перегоревшую лампу на новую (макс. 40 Вт, патрон E14).
- Установите крышку на место, зафиксируйте ее.
- Вставьте вилку в розетку.



**Внимание!**

Во время ремонта или настройки механизма открывания ворот приводом лучше не пользоваться, так как, если привод неисправен или ворота неправильно сбалансированы, то это может привести к несчастному случаю.

- Раз в месяц необходимо проводить проверку на правильность функционирования следующих устройств:
 - устройство распознавания препятствий (смотрите раздел «Ввод в эксплуатацию»),
 - все установленные дополнительно устройства и принадлежности (особенно защитные устройства).
- Вся система (ворота и привод) также должна проверяться на правильность функционирования. Механические элементы конструкции следует контролировать на отсутствие следов износа и повреждений (особенно пружины и крепежные детали), кроме того, следует контролировать электропроводку.

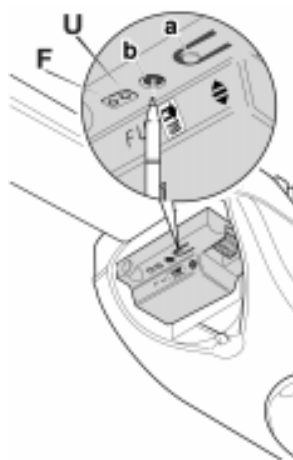
Что случается при отключении электроэнергии?

- После восстановления электроснабжения лампочка освещения привода загорается на одну секунду.
- При следующем управляющем импульсе гаражные ворота перемещаются до верхнего механического концевого упора (базовая точка) и затем назад до запрограммированного верхнего конечного положения.
- Если после этого лампочка освещения привода не выключится, то привод придется снова ввести в эксплуатацию.

Устранение неисправностей

Как самостоятельно устранить неисправности

Неисправность	Возможные причины	Способ устранения
Оптическая индикация: после вставления вилки в розетку и/или во время ввода в эксплуатацию постоянно светится лампочка освещения привода.	Установка конечных положений и/или пробный ход еще не закончены.	Извлеките вилку из розетки и снова вставьте его. Проведите установку конечных положений и пробный ход, как описано в инструкции.
Лампочка освещения привода мигает регулярно (каждую секунду).	Это случается, напр., в результате распознавания препятствия или срабатывания таких защитных устройств, как световой затвор или контакт для двери в воротах гаража).	Уберите препятствие, откройте/закройте гаражные ворота.
Лампочка освещения привода мигает нерегулярно (три секунды Выкл./одна секунд Вкл.)	При наблюдении за электронными элементами конструкции система управления заметила ошибку.	Приведение в исходное положение: одновременно нажмите на кнопку управления a и кнопку программирования b и не отпускайте их 5 секунд. (Лампочка освещения привода мигает). Подтверждение возврата в исходное положение: лампочка светится, не мигая. Снова проведите установку конечных положений и пробный ход. Память «обученного» пульта управления при этом не стирается. Если во время программирования конечных положений лампочка освещения привода снова мигает нерегулярно, то обратитесь, пожалуйста, за помощью в Службу сервиса.
Лампочка освещения привода не светится.	Лампа накаливания перегорела.	Замените лампочку.
При нажатии кнопки на ручном пульте управления привод гаражных ворот не включается.	Батарейка ручного пульта управления разрядилась/неправильно вставлена.	Проверьте батарейку, при необходимости замените ее.
	Код еще не введен в ручной пульт управления.	Зарегистрируйте ручной пульт управления.
	Установка конечного положения и пробный ход еще не закончены.	Проведите установку конечных положений и пробный ход до конца. Затем зарегистрируйте ручной пульт управления.



Неисправность	Возможные причины	Способ устранения
Привод не открывает и не закрывает ворота или закрывает их не полностью.	Механизм открывания ворот поврежден.	Проверьте, в каком состоянии находится механизм открывания ворот. При необходимости поручите квалифицированному специалисту отремонтировать его.
	Неблагоприятное влияние окружающей среды (напр., дождь) повысило вес ворот. Привод рассматривает ситуацию как наличие препятствия.	Снова проведите установку конечных положений и пробный ход. Память «обученного» пульта управления при этом не стирается. Если неисправность остается, то обратитесь, пожалуйста, за помощью в Службу сервиса.
	Отсутствует напряжение в сети (светодиод U не светится).	Поручите квалифицированному специалисту проверить, если ли напряжение в розетке.

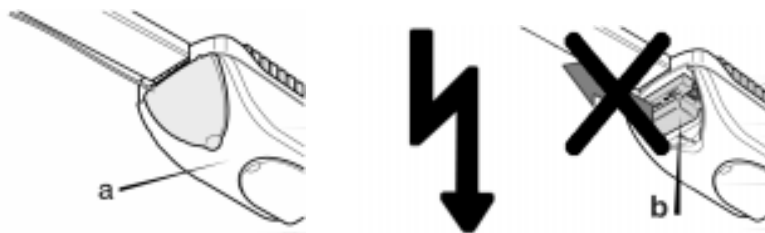
Служба сервиса

Неисправности элементов конструкции привода, находящихся под напряжением 230 В, должны устраняться только квалифицированными специалистами-электриками или специалистами Службы сервиса, работающей по контракту с нами. При повторном возникновении неисправности или появлении новой обращайтесь, пожалуйста, в ближайшую сервисную мастерскую, работающую по контракту.



Внимание!

Защитную крышку (а) разрешается снимать только специалисту, который при этом должен строго выполнять требования нормативной документации VDE 0100 (опасность поражения электрическим током). Иначе аннулируется Ваше право на гарантийное обслуживание.



Опасность поражения электрическим током!

Работы в электронной системе управления (b) можно проводить только после отключения системы от сети!

Электронную систему управления нельзя извлекать из привода!

Принадлежности

Эти принадлежности Вы можете приобрести в специализированных магазинах. Более подробную информацию относительно этих принадлежностей Вам охотно предоставят в торговой организации по сбыту приводов для гаражных ворот производства фирмы SOMFY.

Принадлежности для дополнительной безопасности

	№ артикула SOMFY	Примечание
Наружная аварийная разблокировка – для среднеподвесных, секционных и откидных ворот с ручкой – для всех наиболее часто встречающихся видов ворот с ручкой и без нее (замок для аварийной разблокировки)	9 000 018 9 000 032	Если в гараж можно войти только через ворота, то непременно следует установить устройство наружной разблокировки. С его помощью гаражные ворота можно открыть снаружи (вручную), например, при отключении электроэнергии/неисправности привода.
Контакт для двери в гаражных воротах	9 000 007	При открытой двери этот контакт препятствует перемещению гаражных ворот с помощью привода.
Напольная блокировка	9 000 003*	
Комплект блокирующих устройств без фиксирующих защелок	9 000 019*	
Боковая блокировка ворот	9 000 004*	
Световой затвор	9 000 025	При прерывании луча света гаражные ворота сразу же останавливаются. Если ворота закрывались, то препятствие освобождается.
Световая сигнализация	9 000 030	

* Есть необходимость в дополнительном направляющем кронштейне (номер для заказа: 9 000 002).

Принадлежности для повышения удобства управления

	№ артикула SOMFY	Примечание
Выключатель, приводимый в действие ключом, открытый/закрытый монтаж	9 000 021	
Внутренний выключатель	9 000 008	
Кодовый выключатель	9 000 028	
2-канальный ручной пульт управления, светло-серого цвета	1 800 037	433,42 МГц
4-канальный ручной пульт управления, типа «Fun»	1 800 035	433,42 МГц
4-канальный ручной пульт управления, темно-серого цвета	1 800 029	433,42 МГц

Принадлежности для монтажа в особых условиях

	№ артикула SOMFY	Примечание
Потолочная подвеска (уголок)	9 000 034	Для опускания на макс. 270 мм.
Перфорированная планка для подвешивания привода	9 000 001	Общая длина 1 м, для опускания на 400 мм.
Потолочная подвеска (раздвижная)	9 000 042	Для опускания на макс. 1500 мм.
Удлинитель направляющего кронштейна	9 000 006*	Используется при широкой перемычке (макс. до 400 мм), если направляющий кронштейн прислоняется к ней.
Удлинительная штанга	9 000 005*	Необходима при слишком малом расстоянии между краем ворот и потолком гаража, и если привод гаражных ворот полностью переносится вниз (до макс. 2,5 м).
Фурнитура для створчатых ворот	9 000 009	Ширина створки ворот макс. 1,5 м каждая. Дополнительная информация в разделе «Применимость».
Фурнитура для секционных ворот	9 000 016	Для сегментов ворот высотой 300–500 мм.
Крепежная скоба	9 000 040	Для укрепления верхнего сегмента секционных ворот.
Изогнутый направляющий кронштейн	9 000 023	Для секционных ворот, если опорная и крепежная планки для сегмента ворот не используются.
Подъемный кронштейн	9 000 015	Для откидных ворот с вертикальными ходовыми рельсами.
Комплект принадлежностей для удлинения ходового рельса	9 000 031	На макс. 700 мм.

* Есть необходимость в дополнительном направляющем кронштейне (номер для заказа: 9 000 002).

Декларация изготовителя



(Смотрите на странице 230)

Фирма-изготовитель SOMFY GmbH, Felix-Wankel-Straße 50, D-72108 Rottenburg a. N., заявляет:

Приводы для гаражных ворот типов KEASY L+, KEASY XL+ отвечают требованиям Директивы по машиностроению 99/5/EG, 98/37/EG согласно нормативной документации DIN EN 12453:2001, DIN EN 60335-1:1995, E DIN EN 60335-2-95:2001.

Указание:

Ввод в эксплуатацию системы гаражных ворот, в которую должен быть встроен данный привод, запрещается до тех пор, пока не будет установлено, что гаражная система отвечает требованиям Директивы 98/37/EG.

Роттенбург, 16.02.2004 г.

Руководитель центра дизайна
прокура Dieter Thomas

EG – HERSTELLERERKLÄRUNG

Der Hersteller

**SOMFY GmbH
Felix Wankel Straße 50
D-72108 Rottenburg a.N.**

erklärt hiermit:

Der Torantrieb , Typ **Keasy L +, Keasy XL +**
entsprechen der **98/37/EG Maschinenrichtlinie**
gemäß

**DIN EN 12453: 2001
DIN EN 60335-1 :1995
E DIN EN 60335-2-95:2001**

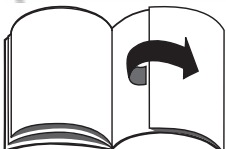
Hinweis:

Die Inbetriebnahme der Toranlage , in der dieser Torantrieb eingebaut werden soll, ist solange untersagt, bis festgestellt wurde, dass die Toranlage den Bestimmungen der Richtlinie 98/37/EG entspricht .

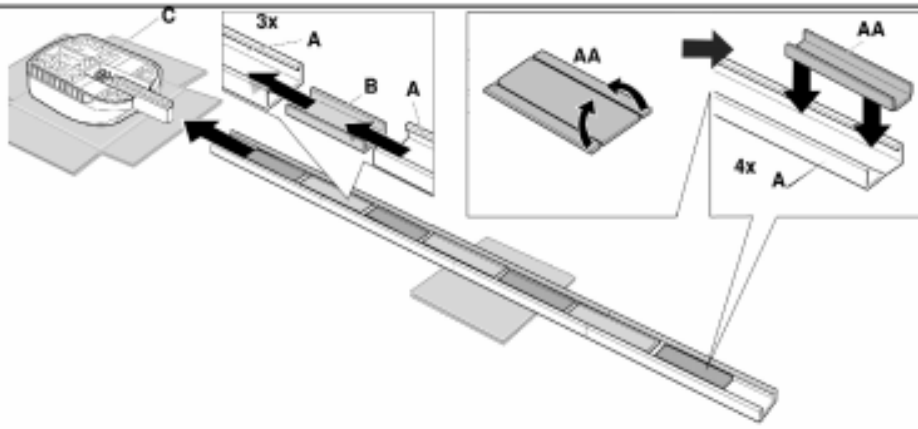
Rottenburg, den 2.5.02
.....
Ort, Datum

Dieter Thomas
.....
SOMFY GmbH
Leiter Design Center

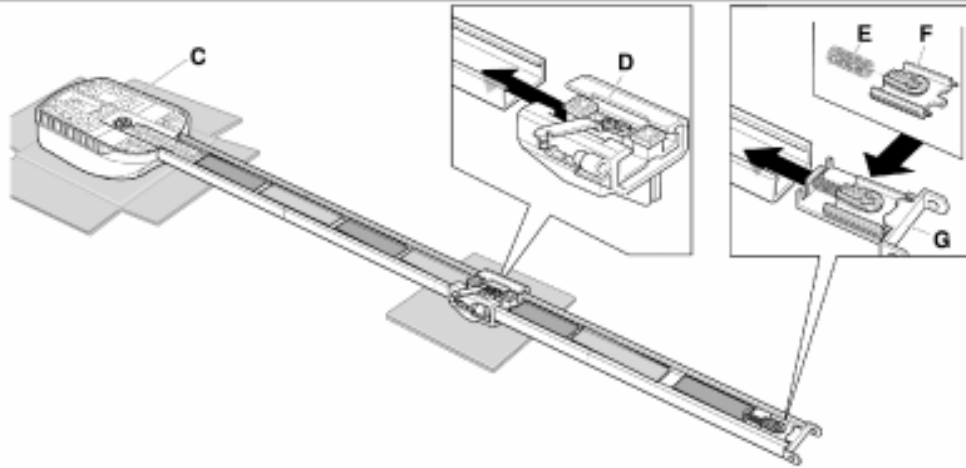
i.V. Dieter Thomas



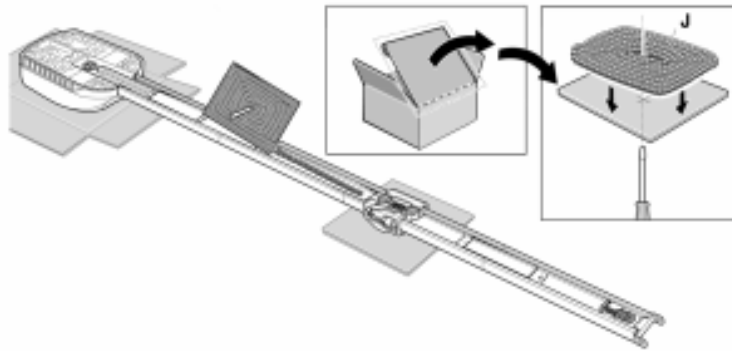
7



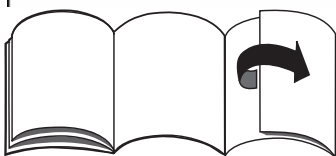
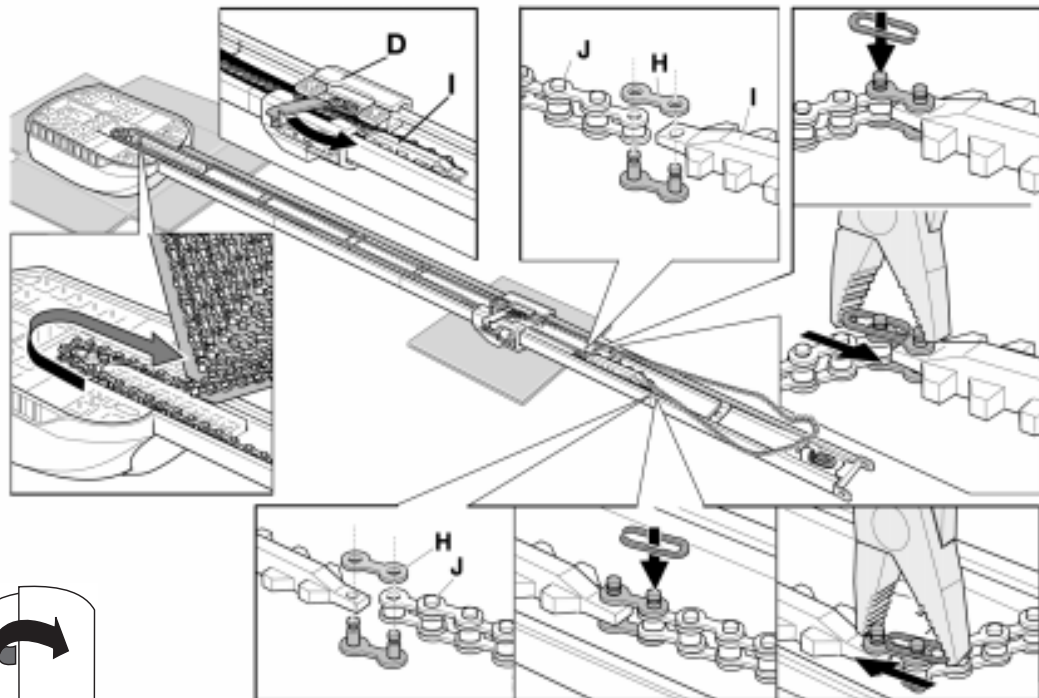
8

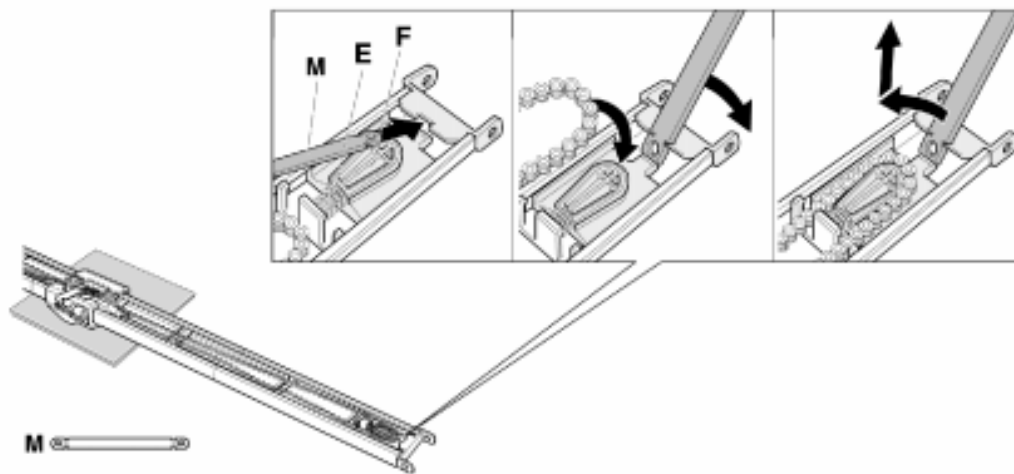
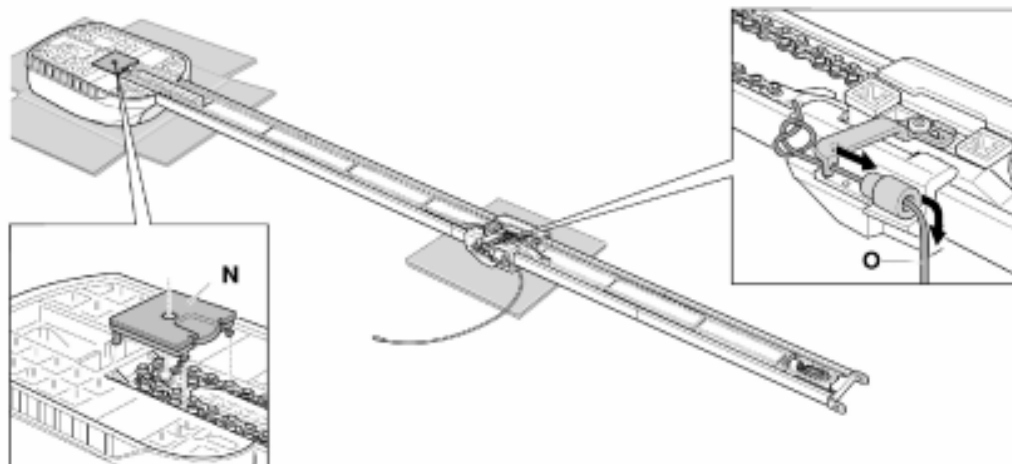
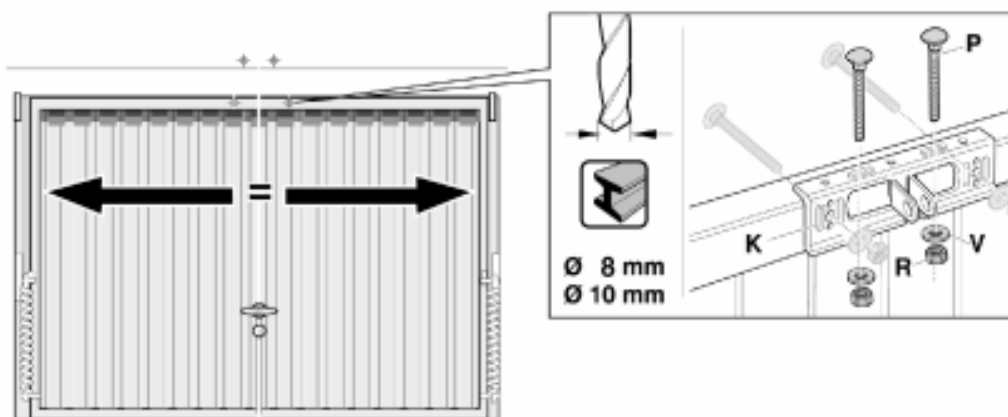
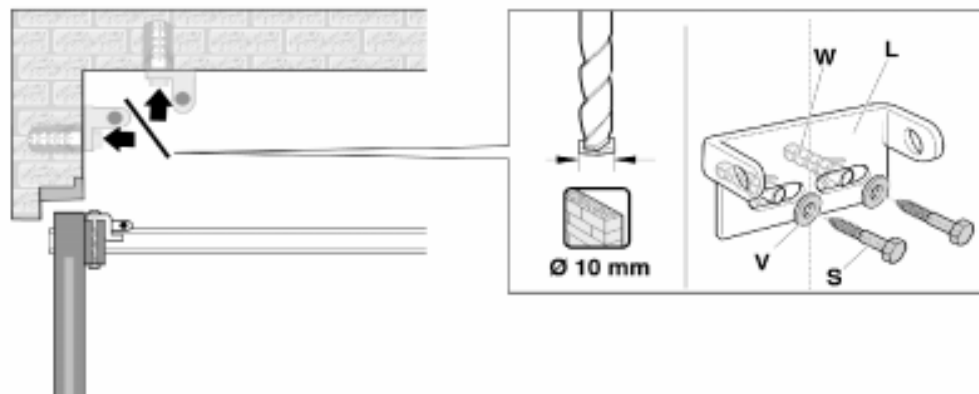


9

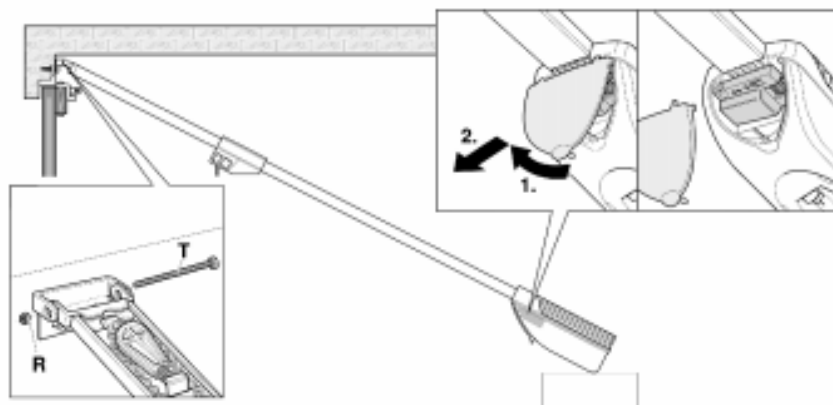


10

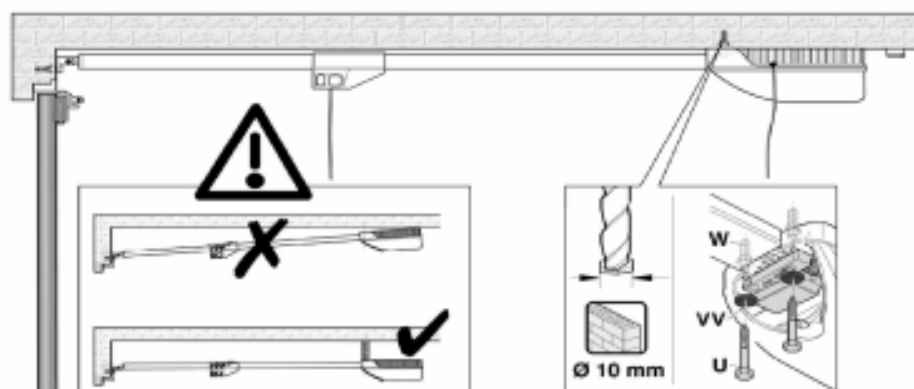


11**12****13****14**

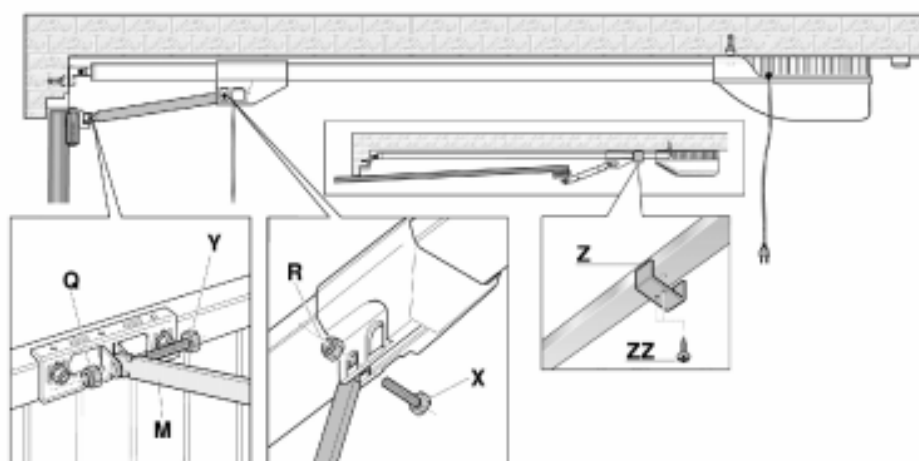
15



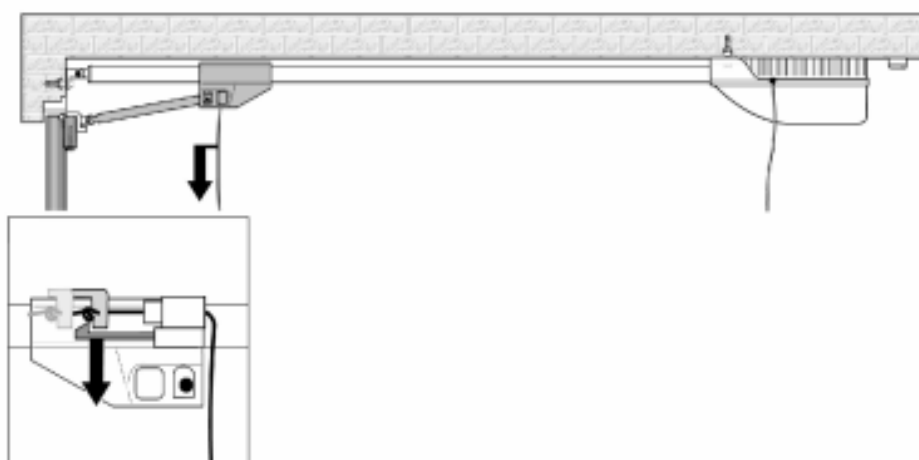
16



17



18





Feinmechanik und Elektrotechnik GmbH
Felix-Wankel-Straße 50 D-72108 Rottenburg/Neckar
Service-Line: 0049 (0) 1805 / 25 21 35 (0,12 Euro/min)
Telefax: 0049 (0) 1805 / 25 21 36 (0,12 Euro/min)
e-mail: Serviceline@somfy.com

In Österreich:

SOMFY Feinmechanik und Elektrotechnik GmbH
Johann-Herbst-Straße 23 A-5061 Elsbethen-Glasenbach
Telefon: 0043 (0) 820 / 50 07 36 (0,145 Euro/min)
Telefax: 0043 (0) 820 / 50 07 67 (0,145 Euro/min)
e-mail: office@somfy.at

5009261