



GM 800 / GM 1000

## MOTORS FOR GARAGE DOORS



- **Easy to set up:** the end of limit self-learning system simplifies setting up the GM motors. It automatically adjusts itself in a single cycle.
- **Fits anywhere!** The GM motors have swivelling heads, so they can be adapted to different configurations and installation constraints. They can also be fixed directly to the ceiling or to the side thanks to the adjustable supports.
- **SIMU-Hz compatibility:** The GM motors use SIMU-Hz radio technology, so are compatible with all SIMU-Hz motors and remote controls.
- **Sécurité garantie :** With their integrated stop-on-obstacle system, GM motors guarantee the protection of users, their possessions and the garage door. For even better protection, GM motors can also be connected to a sensor array.
- **Motor delivered with 2 remote controls TSA+,**

MOTORS TESTED UP TO 36 500 CYCLES



## GM 800

## GM 1000

### TECHNICAL SPECIFICATION

	< 10 m <sup>2</sup>	< 15 m <sup>2</sup>
<b>AREA OF THE GATE PROGRAMMING</b>	4 buttons + 4 leds	7 buttons + LCD screen 2 digits
<b>AMBIENT TEMPERATURE OF USE</b>	from -20°C to +60°C	from -20°C to +60°C
<b>RADIO FREQUENCY</b>	433.42 MHz	433.42 MHz
<b>NUMBER OF CYCLE PER DAY</b>	20 cycles per day	20 cycles per day
<b>NUMBER OF CHANNEL THAT CAN BE MEMORIZED</b>	32 channels	32 channels
<b>SIZE OF MOTOR (L x L x H)</b>	404.2 x 22.4 x 10.6 cm	404.2 x 22.4 x 10.6 cm
<b>AVAILABLE LENGTH OF RAIL</b>	2.9 m or 3.5 m or 4.5 m	2.9 m or 3.5 m or 4.5 m
<b>OBSTACLE DETECTION WITH REOPENING OF THE DOOR</b>	built-in	built-in
<b>BUILT IN FLASHING CONTROL</b>	yes (24V / 11W)	yes (230V / 40W)
<b>REMOTE LIGHTING OUTPUT</b>	no	yes (230V / 500W)

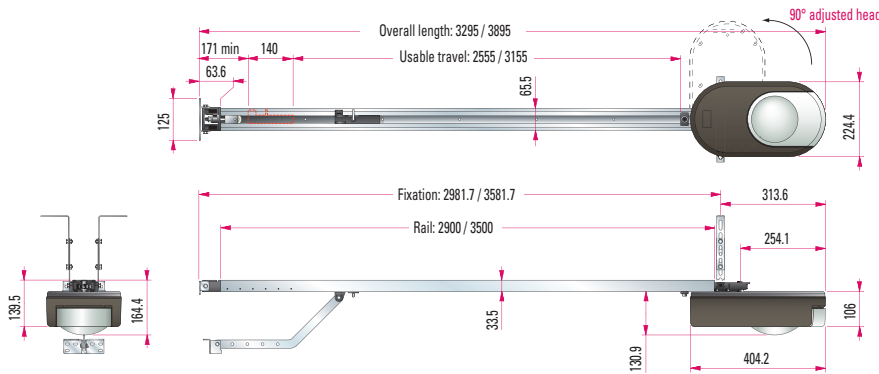
### RUNNING MODE

	GM 800	GM 1000
<b>SEQUENTIAL</b>	yes	yes
<b>SEQUENTIAL WITH DELAY</b>	no	yes
<b>AUTOMATIC CLOSURE</b>	no	yes
<b>AUTOMATIC CLOSURE WITH CELLS</b>	no	yes

### ADJUSTABLE PARAMETERS

	GM 800	GM 1000
<b>SENSIBILITY OF OBSTACLE DETECTION</b>	yes	yes
<b>CLOSING APPROACH SPEED</b>	yes	yes
<b>FULL OPENING RUNNING MODE</b>	no	yes
<b>PARTIAL OPENING RUNNING MODE</b>	no	yes
<b>SAFETY INPUT TEST (AUTOTEST)</b>	no	yes

### DIMENSIONS



### COMPATIBLE DOORS:

- Up and over doors
- Sectional doors
- Sliding doors

### COMPATIBLE CONTROLS:



### THE RANGE

230V - 50Hz power supply

DESCRIPTION	POWER	POWER	TRACTION FORCE	MAXIMUM SPEED	REFERENCE
	CONSUMPTION IN STANDBY	CONSUMPTION IN OPERATION			
<b>GM 800</b>	4 W	350 W	800 N	14 cm/s	<b>2007151</b>
<b>GM 1000</b>	5 W	500 W	1000 N	18 cm/s	<b>2007951</b>

### ACCESSORIES

A wide range of accessories is available (rails, back up battery, antenna, orange light, fixing kit, locking kit, security side door contact, cell barriers, switches....etc).

Please consult us.

