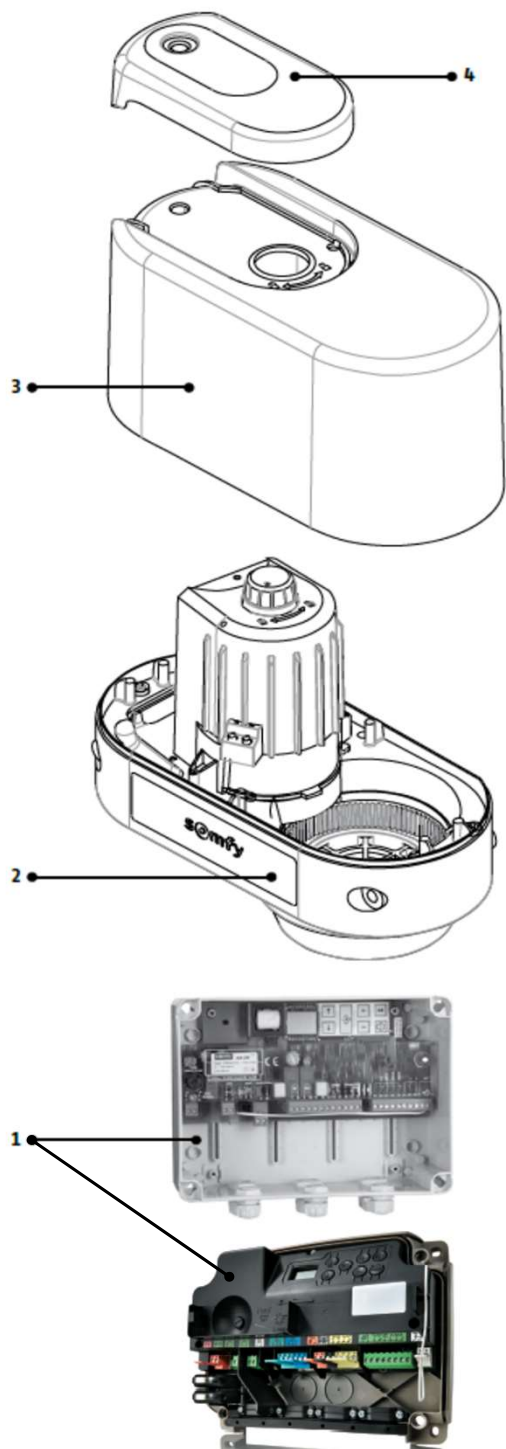




AXOVIA MULTIPRO NS

FOR SWINGING GATES

Mark	Description	Reference
1	AX 24 RTS ^{NS} Before CBX	1841032
	CBX Axovia RTS	1841143
	CBX Axovia io	1841142
2	Single motor without cover	1780682
3	Capot bronzal cover	1780684
4	Covering cap	1780685



Out of stock replaced by CBX

ARMS		
1780683	2 arms bronzal	
9013924	Short arm motor side	
9013748	Medium arm motor side	
9013749	Long arm motor side	
9013750	Short arm gate side	
9013751	Medium arm gate side	
9013752	Long arm gate side	
9013746	Gates side slope opening	
9013745	Left angle for external opening	
9013744	Right angle for external opening	
9013747	Slide arm	

AXOVIA MULTIPRO NS

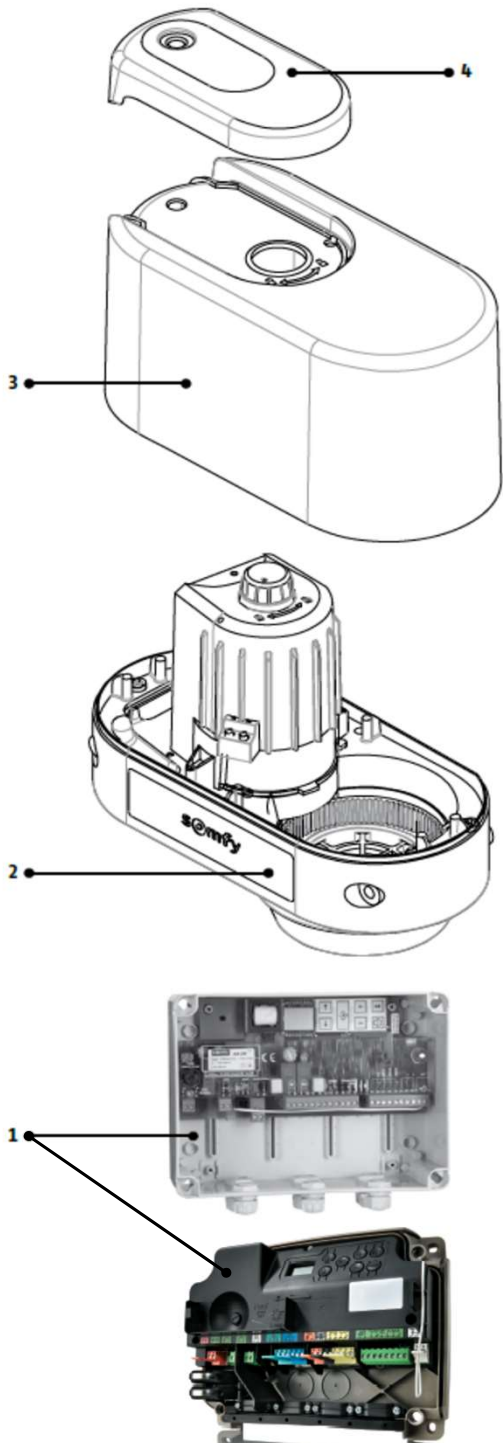
Color Grey


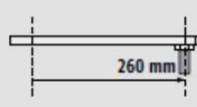
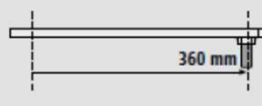
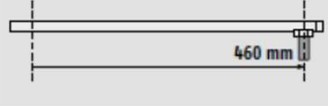
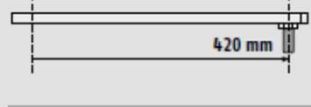
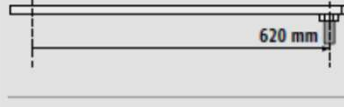

Solutions for gates



FOR SWINGING GATES

Mark	Description	Reference
1	CBX Axovia RTS	1841143
	CBX Axovia io	1841142
2	Single motor without cover	1782837
3	Grey cover	1782838
4	Covering cap	1782839



ARMS		
1782840	2 arms grey	
9019900	Short arm motor side	
9019901	Medium arm motor side	
9019902	Long arm motor side	
9019896	Short arm gate side	
9019897	Medium arm gate side	
9019898	Long arm gate side	
9019903	Gates side slope opening	
9019894	Left angle for external opening	
9019895	Right angle for external opening	
9019893	Slide arm	