



MERCURY 400/600/800 Kg

Gearmotor for residential (**230V version**)
or semi-intensive use (**24V version**)



Possibility of LED light application on all models (optional)



Release system through metal lock



Special cataphoresis treatment (400 - 600 - 800 versions)

- ▶ Die-cast aluminum body with external housing with innovative design
- ▶ Encoder (obstacle detection sensor) for max. operation safety (optional 230V version)
- ▶ Electronic anti-crushing clutch
- ▶ Mechanical or magnetic limit switch (MAG version)
- ▶ Optional micro-switch on release lever
- ▶ Adjustable slowdown in opening and closing
- ▶ Emergency batteries and solar panel KIT SUNNY for recharge can be applied
- ▶ Version No Limits without limit switch

SPECIFICATIONS	MERCURY 230V 400-600-800	MERCURY 24V 400-600-800
Power supply	230Vac±5% - 50/60Hz	230Vac±5% - 50/60Hz
Motor Power	320W	80W - 110W
Opening speed	0,15 m/s	adjustable
Frequency of use	25%	40%
Working temperature	-20°C /+ 55°C	-20°C /+ 55°C
Max torque	18 Nm (400) 25 Nm (600) 35 Nm (800)	0-20 Nm (400) 0-30 Nm (600) 0-35 Nm (800)
Weight	7,0 kg	7,0 kg
Max leaf weight	400-600-800 kg	400-600-800 kg
Anti crushing clutch	electronic	electronic
Protection class	IP55	IP55
Limit switches	Mechanical	Mechanical

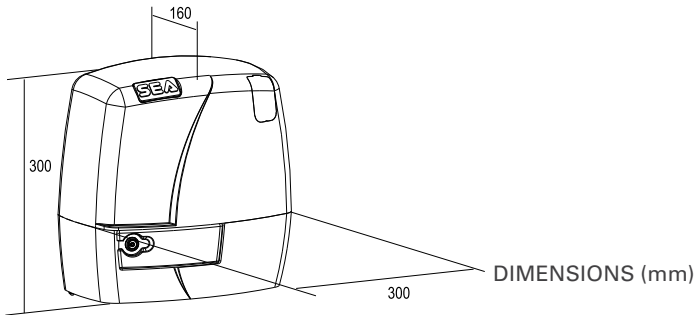
■ USER 1 24DG

Mercury 24V



- Management of one 24V motor
- Adjustable slowdown in opening and closing
- Motor speed adjustment
- Adjustable pedestrian opening
- 24V Led warning lamp
- Differentiated leaf delay for opening and closing
- Working times self-learning
- Encoder management (only for CORONA)
- Programming through Jolly 3
- Adjustable amperometric type inversion on obstacle
- Photocells self-test
- Balanced or standard safety edge management
- Extractable terminals
- Slowdown speed adjustment
- Emergency battery management through optional battery charging card
- Built-in radio decoding for RF UNI (max. 30 users fix code or 800 users rolling code coding)
- Automatic, safety and step by step type 1, step by step type 2, 2 buttons, dead-man logics
- Motor and limit switch inversion (right /left mounting)
- Start in pause setting
- Prepared for Master/Slave function
- Low consumption in standby
- Adjustable courtesy light output up to 4 minutes
- Number of performances before assistance
- Settable photocell inputs
- Max capacity 300mA transformer 24V accessories outlet
- Magagement of photocells 10K

...and many other functions



DIMENSIONS (mm)

ACCESSORIES



Battery kit with box
7AH



ENC
Kit Encoder for
MERCURY 230V



PZ13T Pinion Z13
for MERCURY



PZ20 Pinion Z20
for MERCURY



Microswitch on
release lever for
stop function



ESUN Q
Battery charger 800
mA with solar panel
admin



Kit SUNNY
20W solar panel +
control unit ESUN Q
+ battery 12 Ah



LED
Light to be inserted
in carter



DIN cylinder with
variable coding



Kit batteries 1.2
Ah + charger (for
Mercury 24V)



Device for braking
the downhill gates
max 5° slope
1500 kg

