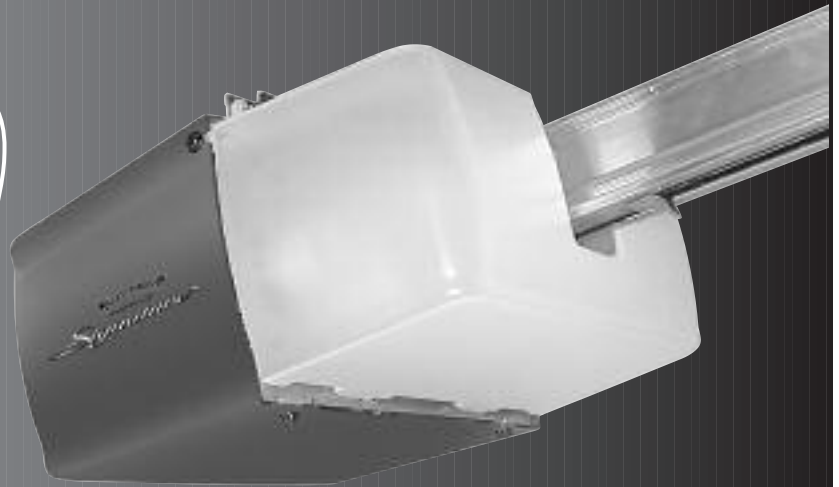




the original since 1921

Signature
SCREW DRIVE™



GARAGE DOOR OPENER

Includes CODEDODGER® Remote Control
and SERIES II Electronics

Included Wall Control MUST be installed prior to operation of this Garage
Door Operator

Safe-T-Beam® Safety Reverse System Must be installed to close door

NOTE: Your Residential Operator comes with a Boom Assembly
which is standard for up to a 7 foot 6 inch high door. An
extension kit for an 8 foot high door is available.

For Answers and Assistance:

1.800.929.3667

or visit www.overheaddoor.com

SAVE THIS MANUAL FOR FUTURE REFERENCE



Things to consider if you are planning to “do-it-yourself.”

Whether you are replacing an existing garage door operator or installing an operator in your garage for the first time, there are some pre-installation issues which need to be addressed. They are as follows:

The Overhead Door Corporation recommends that you read and fully understand all information and instructions contained herein before choosing a “do-it-yourself” installation. Any questions should be directed to the Overhead Door Corporation or an authorized Overhead Door Dealer.

(The issue numbers below refer to the circled numbers in the illustrations on page 5.)

① Check your ceiling where the power head of your new unit will be mounted. Plan how you will be mounting the power head. It is possible that ceiling joists may not be in the exact position needed with respect to the garage door operator. It may be necessary to add an additional bracket and fasteners (not included with your new door operator kit).

② Check the wall directly above the garage door. The door operator’s header bracket must be securely fastened to this wall. Ensure that the structure will provide a strong mounting location.

③ Check to see if the mounting location for the Safe-T-Beam® System (STB) is clear from obstruction and has a wood surface available for attaching the STB brackets. The brackets may be attached to concrete if necessary but extra tools and special fasteners (not supplied) will be required.

NOTE: 1-1/2" STB bracket adapters are available through your local Overhead Door Dealer.

④ Is your garage door made of light-weight steel, aluminum, fiberglass or glass panels? Additional support bracing must be added to these type doors. If this is the case, please contact the door distributor or manufacturer so that they can furnish you with a “bracing kit.”

⑤ You need a 110-120 Volt power supply available. The outlet should be no more than 3 feet from the power head once it is mounted. (The cord is 4 ft. in length.) SEE WARNING BELOW.

⑥ To avoid damage to your door and/or operator, make sure you disable any door locks prior to installing your operator.

⑦ Ensure that your door is properly balanced and moving freely. SEE WARNING BELOW.

⑧ (NOT SHOWN) If your garage does not have a separate entry door, you should consider an emergency release kit (GER-2)(page 34) for installation on your garage door. Contact Customer Service or visit www.overheaddoor.com.

⚠ WARNING

If your door sticks, binds, or is out of balance, have it adjusted by a professional. Door springs, cables, pulleys, brackets and associated hardware are under extreme tension and can cause serious injury or death.

⚠ WARNING

DO NOT USE AN EXTENSION CORD! Extension cords can cause dangerous overheating conditions.
DO NOT USE A PORTABLE GENERATOR! This product is designed to operate on standard house current. Do not use alternate power supplies.



Homelink® is a universal transceiver (a combined transmitter and receiver), that provides a convenient way to replace up to three hand-held radio-frequency (RF) transmitters used to activate devices such as gate operators, garage door openers, entry door locks, security systems and even home lighting. Additional HomeLink® information can be found at: www.homelink.com or by calling 1.800.355.3515.

TYPICAL SECTIONAL DOOR INSTALLATION

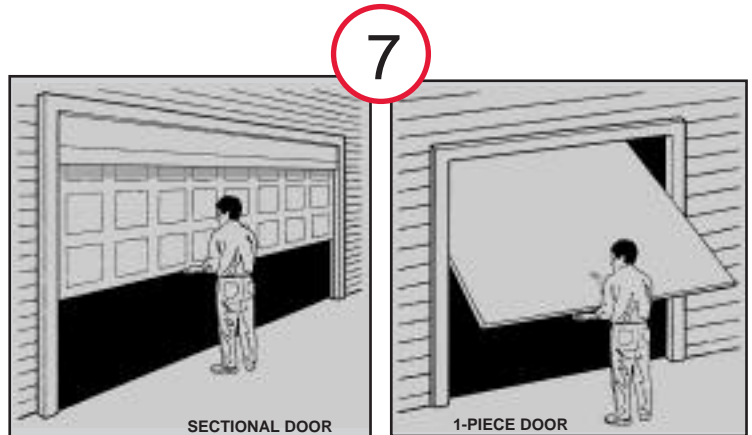
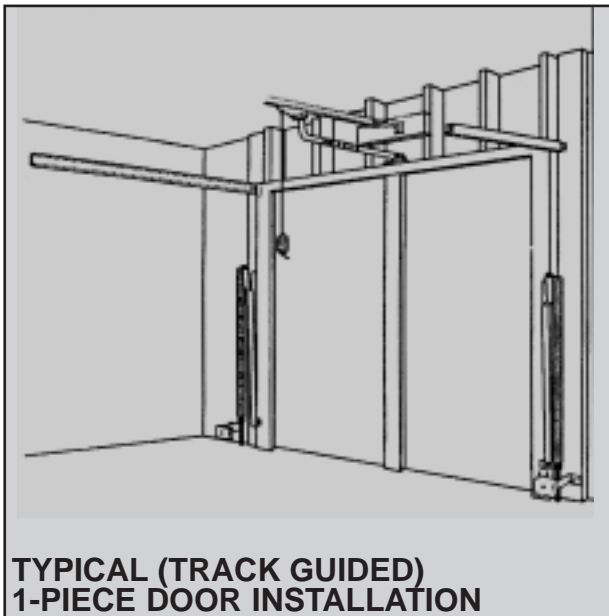
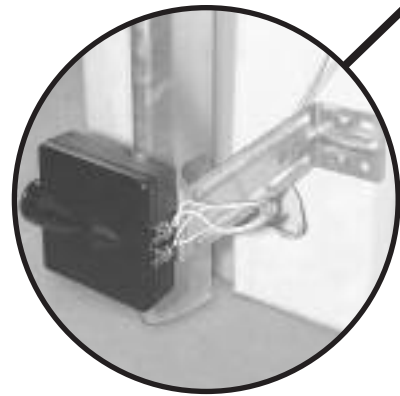
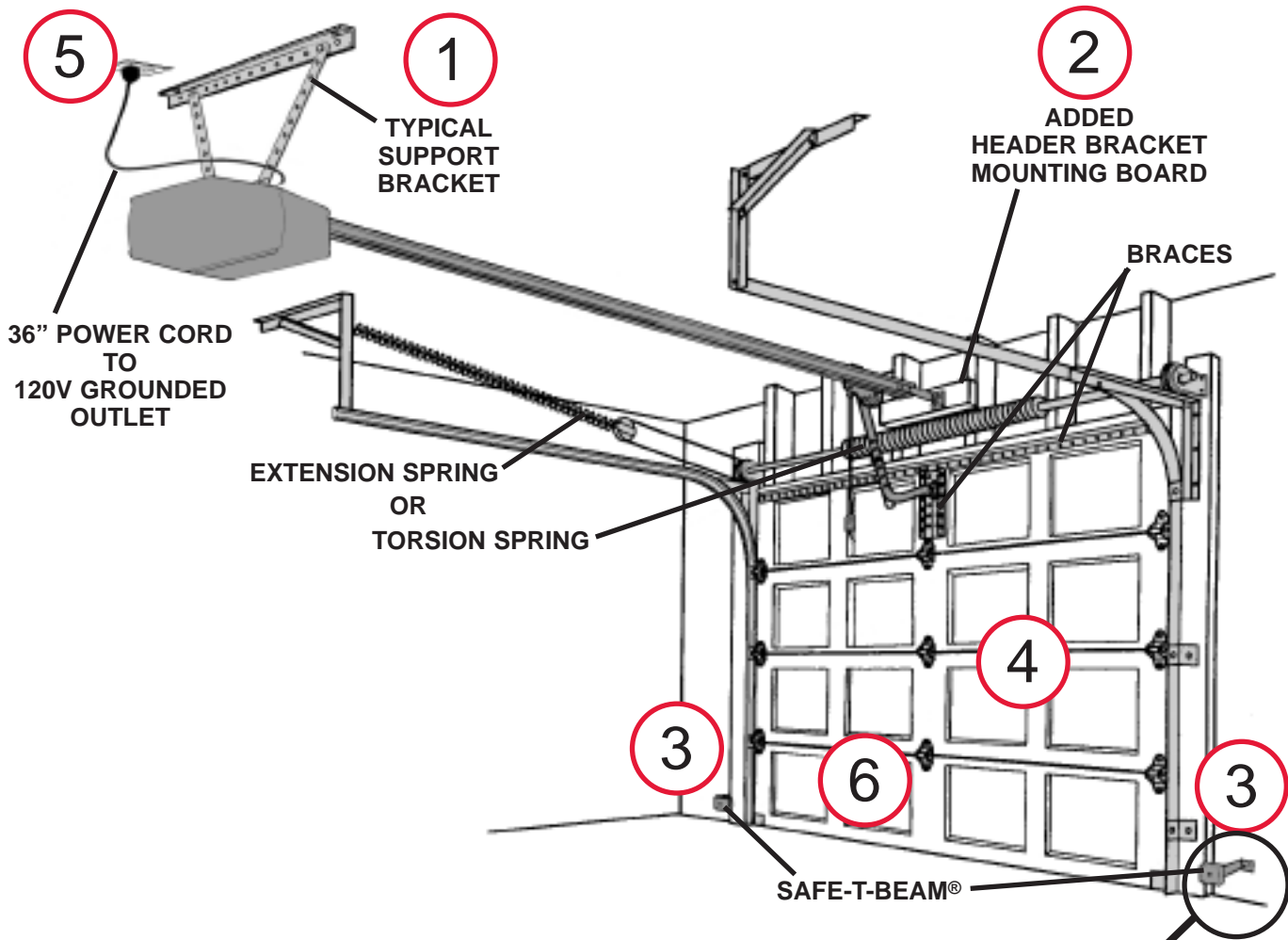
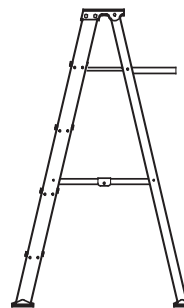


TABLE OF CONTENTS

<i>SECTION</i>	<i>PAGE</i>
<i>PRE-INSTALLATION CHECK LIST</i>	<i>4-5</i>
<i>TOOLS REQUIRED</i>	<i>6</i>
<i>SAFETY FEATURES</i>	<i>6</i>
<i>OPERATIONAL FEATURES</i>	<i>7</i>
<i>PARTS LISTS AND ILLUSTRATIONS</i>	<i>7-9</i>
<i>POWER HEAD</i>	<i>7</i>
<i>ONE-PIECE BOOM</i>	<i>8</i>
<i>FASTENERS AND ACCESSORIES</i>	<i>9</i>
<i>SAFETY INFORMATION</i>	<i>10</i>
<i>PRE-INSTALLATION WARNING</i>	<i>10</i>
<i>1 MAIN ASSEMBLY</i>	<i>11-13</i>
<i>2 INSTALLATION</i>	<i>14-20</i>
<i>3 SAFE-T-BEAM®</i>	<i>21-22</i>
<i>4 WALL CONTROL</i>	<i>23-24</i>
<i>5 LIGHT & LIGHT LENS</i>	<i>24</i>
<i>6 CONNECTING POWER</i>	<i>25</i>
<i>7 SETTINGS</i>	<i>26-27</i>
<i>CONTACT REVERSE</i>	<i>27</i>
<i>8 BATTERY & VISOR CLIP</i>	<i>27</i>
<i>9 PROGRAMMING REMOTE CONTROLS</i>	<i>28</i>
<i>TRANSMITTER COMPLIANCE STATEMENT</i>	<i>29</i>
<i>IMPORTANT SAFETY INSTRUCTIONS</i>	<i>29</i>
<i>10 MAINTENANCE & TROUBLESHOOTING</i>	<i>30-31</i>
<i>11 WIRING DIAGRAM</i>	<i>32</i>
<i>WARRANTY</i>	<i>33</i>
<i>ACCESSORIES ORDER FORM</i>	<i>34</i>

TOOLS RECOMMENDED



Step ladder



Carpenter's level



Adjustable wrench



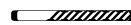
Pencil



Drill



Wire strippers



5/32" Drill Bit



Phillips screwdriver



Ratchet



7/16" and 9/16" Sockets



Tape measure

Safe-T-Beam® (STB) Non-Contact Reversing System

Places an invisible beam across door opening that reverses the door during down travel to the fully open position if anything passes through beam.

Safe-T-Reverse® Contact Reversing System

Automatically stops and reverses a closing door within 2 seconds of contact with an object.

Safe-T-Stop® Timed Reversed System

Automatically opens a closing door, if door does not close within 30 seconds.

Force Guard® Control

Used to set the force required for opening and closing door. For maximum safety, set the minimum force required to fully open and close door.

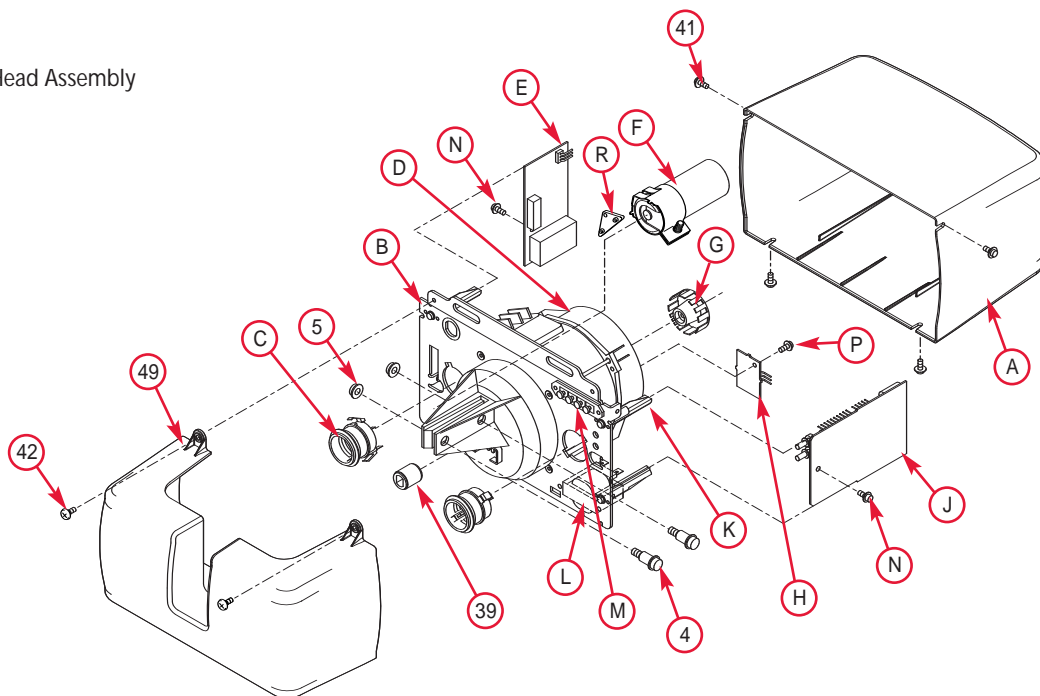
Automatic Lighting System

Two light bulbs up to 60 Watts max. each are used for safer entries and exits. The light turns on when door is activated and automatically turns off 4.5 minutes later.

Manual Emergency Release

Allows the garage door to be opened or closed manually for emergencies or maintenance.

[1] Power Head Assembly



POWER HEAD PARTS LIST

Item	Part Name
1	Power Head Assembly
A	Cover (By Series/Model)
B	Front Plate Assembly
C	Light Socket
D	Motor Parts
E	Receiver Assembly
F	Capacitor (By Series/Model)
G	Opto Wheel
H	Opto-Luctor Assembly
J	Sequencer Assembly
K	Circuit Board Bracket
L	Transformer

Item	Part Name
M	Terminal Strip
N	No. 8-32 x 1/2" Hex Washer Head Screw
P	No. 8-32 x 3/8" Slot Hex Washer Head Screw
R	Capacitor Isolator
4	1/4-20 Shoulder Bolt
5	1/4" Flange Nut
39	Coupler
41	No. 8-32 x 3/8" Phillips Hex Head Screw
42	No. 8-32 x 3/8" Phillips Pan Head Screw
49	Light Lens

CODEDODGER® Access Security System

Improves security of door operator by continuously changing the access code each time the remote control is used. The door operator responds to each new code only once. An access code copied from a working system and tried again will not control the door operator.

CODEDODGER® 1-Button Remote Control

Controls door operator by allowing the garage door to be opened and closed remotely.

CODEDODGER® Multi-Button Remote Control

Operates multiple Intellicode® equipped door operators.

Lighted Wall Button (some models)

Operates door operator from inside garage. DO NOT use with lighted wall console.

Wall Console (some models)

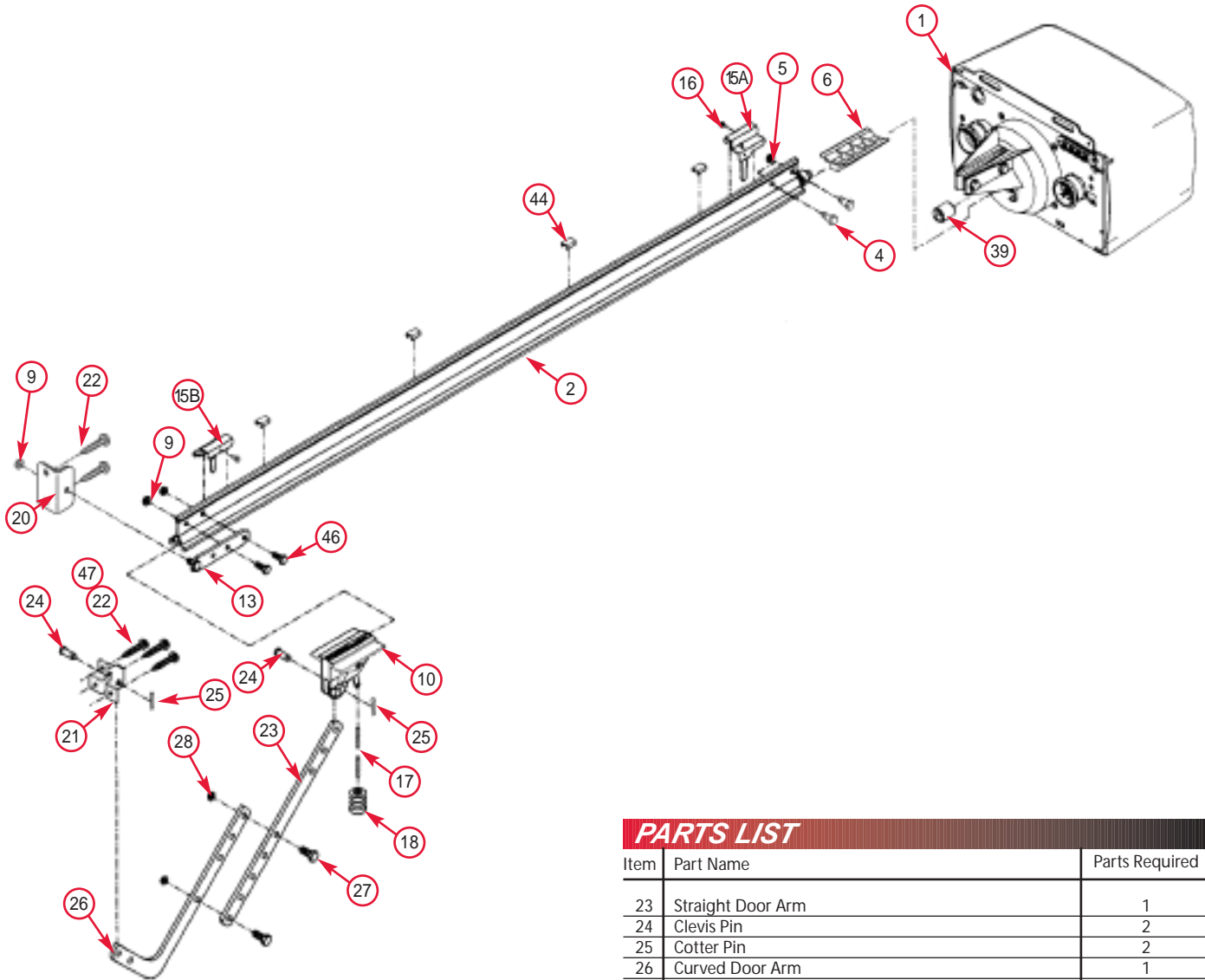
Works like a lighted wall button but includes a Vacation Lock Switch that disables all controls. LED indicator shows whether system is powered, locked or unlocked. Makes console easy to find in dark. Controls door opener from inside garage. Independent light control allows convenient manual control of the Automatic Lighting System. DO NOT use with lighted wall button.

NOTE: All items may not be supplied with your garage door operator.

[2] 1-Piece Boom & Screw Assembly

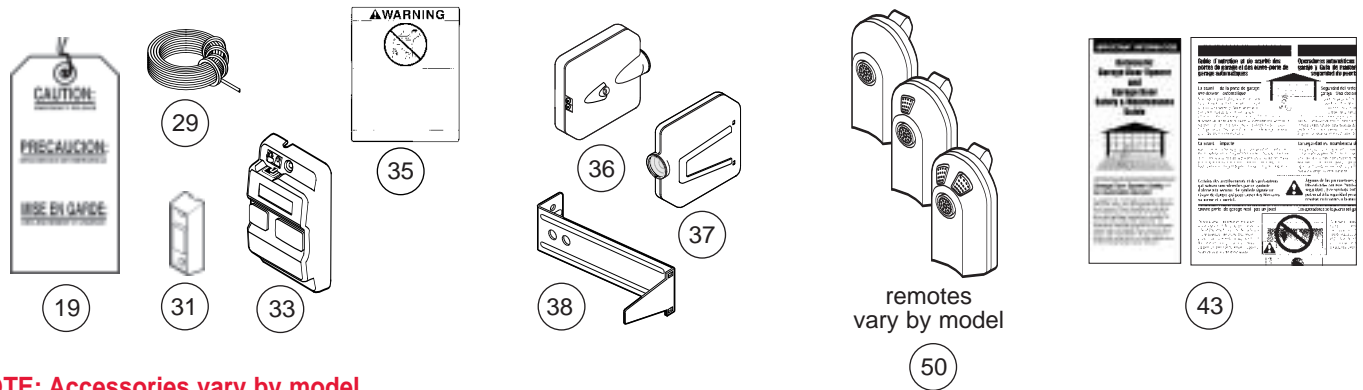
8

NOTE: The operator will not function properly unless the **Safe-T-Beam®** sensors are installed and the **force controls** adjusted.



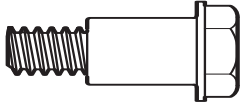

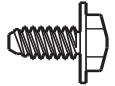

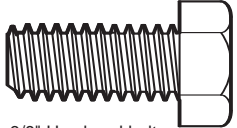
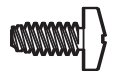
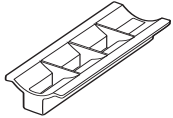
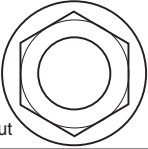
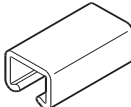

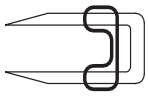
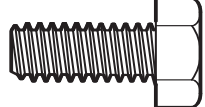


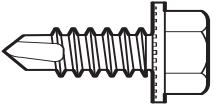
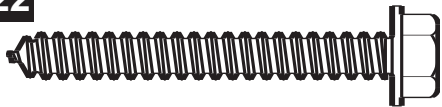
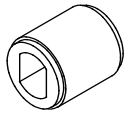


PARTS LIST		
Item	Part Name	Parts Required
1	Power Head Assembly	1
2	Boom Assembly (1 piece)	1
4	1/4-20 Hex Hd Shoulder Bolt	2
5	1/4"-20 Hex Flange Nut	2
6	Carriage Stop	1
9	5/16" Hex Flange Nut	5
10	Carriage Assembly	1
13	Boom Strap	1
15A	Open Limit Switch Assembly (Grey)	1
15B	Close Limit Switch Assembly (Brown)	1
16	No. 8-32 x 3/8" Hex Head Screw	2
17	Emergency Release Cord	1
18	Emergency Release Knob	1
19	Emergency Release Tag	1
20	Header Bracket	1
21	Door Bracket	1
22	1/4" x 2" Lag Screw	8

PARTS LIST		
Item	Part Name	Parts Required
23	Straight Door Arm	1
24	Clevis Pin	2
25	Cotter Pin	2
26	Curved Door Arm	1
27	3/8" x 7/8" Hex Head Bolt	2
28	3/8" Hex Flange Nut	2
29	Wire	≈ 95ft
30	Insulated Staple	≈ 30
31	Wall Button	varies
33	Wall Console	varies
34	#6 x 1-1/4" Pan Head Screw	2
35	Entrapment WARNING Label	1
36	Safe-T-Beam (STB) System Sensor (Green LED)	1
37	Safe-T-Beam (STB) System Source (Red LED)	1
38	Safe-T-Beam (STB) System Bracket	2
39	Coupler	≈ 1
40	No. 10 x 1 1/4" Phillips Hex Head Screw	≈ 4
41	#8 x 3/8" Hex Head Screw	2
42	#8 x 3/8" Pan Head Screw	2
43	Safety & Maintenance Guide	1
44	Wire Clip	4
46	5/16" x 3/4" Hex Head Bolt	5
47	1/4-20 x 3/4" Self-tapping Screw	3
49	Light Lens (shown on page 7)	1
50	Remote Control	varies



NOTE: Accessories vary by model.

FASTENERS - Shown full size. See Parts List for description.

<p>4</p>  <p>1/4" Shoulder bolt w/flange</p>	<p>25</p>  <p>Cotter pin</p>	<p>41</p>  <p>#8 x 3/8" Hex flange head screw</p>
<p>5</p>  <p>1/4" Flange nut</p>	<p>27</p>  <p>3/8" Hex head bolt</p>	<p>42</p>  <p>#8 x 3/8" Pan head screw</p>
<p>6</p>  <p>Carriage stop (not to scale)</p>	<p>28</p>  <p>3/8" Nut</p>	<p>44</p>  <p>Wire clip</p>
<p>9</p>  <p>5/16" Flange nut</p>	<p>30</p>  <p>Insulated staple</p>	<p>46</p>  <p>5/16" x 3/4" Hex head bolt</p>
<p>16</p>  <p>#8-32 x 3/8" Hex head screw</p>	<p>34</p>  <p>#6 x 1-1/4" Pan head screw</p>	<p>47</p>  <p>1/4"-20 Self-drilling screw</p>
<p>22</p>  <p>1/4" x 2" Lag screw</p>	<p>39</p>  <p>Coupler</p>	
<p>24</p>  <p>Clevis pin</p>	<p>40</p>  <p>#10 x 1-1/4" Phillips hex head screw</p>	

OVERVIEW OF POTENTIAL HAZARDS

Garage doors are large, heavy objects that move with the help of springs under high tension and electric motors. Since moving objects, springs under tension, and electric motors can cause injuries, your safety and the safety of others depend on you reading the information in this manual. If you have questions or do not understand the information presented, call your nearest service representative.

In this section and those that follow, the words **Danger**, **Warning**, and **Caution** are used to emphasize important safety information.




The word:

▲ DANGER means that severe injury or death will result from failure to follow instructions.

▲ WARNING means that severe injury or death can result from failure to follow instructions.

▲ CAUTION means that property damage or injury can result from failure to follow instruction.

The word **NOTE** is used to indicate important steps to be followed or important considerations.

POTENTIAL HAZARD	EFFECT	PREVENTION
 MOVING DOOR	WARNING: Can Cause Serious Injury or Death	Keep people clear of opening while door is moving. Do Not allow children to play with the door operator. Do Not operate a door that jams or one that has a broken spring.
 ELECTRICAL SHOCK	WARNING: Can Cause Serious Injury or Death	Turn off power before removing operator cover. When replacing cover, make sure wires are not pinched or near moving parts. Operator must be properly grounded.
 HIGH SPRING TENSION	WARNING: Can Cause Serious Injury or Death	Do Not try to remove, repair or adjust springs or anything to which door spring parts are fastened, such as, wood blocks, steel brackets, cables or other like items. Repairs and adjustments must be made by a trained service person using proper tools and instructions.

FILL THIS IN AT TIME OF INSTALLATION FOR YOUR OWN RECORDS, SO THAT IT WILL BE AVAILABLE IF YOU EVER NEED TO CALL US.

Date Purchased MM / DD / YY
WK / YY / PI (See Fig. 1-1)
 Serial Number. _____
 Operator Model _____
 Dealer Name _____
 Dealer Address _____
 City _____
 State _____
 Zip _____

NOTE: Please keep original or photocopy of your sales receipt with this manual for future reference should service ever be required.

IMPORTANT INSTALLATION INSTRUCTIONS

▲ WARNING:

To reduce the risk of severe injury or death:

- 1. READ AND FOLLOW ALL SAFETY, INSTALLATION AND OPERATION INSTRUCTIONS.** If you have any questions or do not understand an instruction, call your service representative.
- 2. Do Not install Opener on an improperly balanced door.** An improperly balanced door may cause severe injury. Repairs and adjustments to cables, spring assemblies, and other hardware must be made by a trained service person using proper tools and instructions.
- 3. Remove all handles and ropes, and disable all locks** connected to the door before installing the Opener.
- 4. Install door Opener 7' or more above the floor.** Mount the emergency release knob 6' above the floor.
- 5. Do Not connect the Opener to the power source until instructed to do so.**
- 6. Locate the Wall Control:**
 - Within sight of the garage door.
 - At a minimum height of 5', so small children cannot reach it.
 - Away from all moving parts of the garage door.
- 7. Install the entrapment WARNING label** next to the wall button or console. Install the emergency release tag on the emergency release.
- 8. The operator must reverse** when the door contacts a 1½" high object on the floor at the center of the doorway. This is the size of a 2" x 4" board laid flat.

Visit our website at:
www.overheaddoor.com

SAVE THESE INSTRUCTIONS

OPEN BLUE PARTS BAG

NOTE: 3-piece boom assembly is for doors up to and including 7 feet 6 inches high. An extension for 8 feet doors is available.

1. Set power head so that front panel (with end of shaft and boom attachment flange) is facing up. Fig. 1-1.
2. Install coupler [39].
 - Place coupler over end of shaft.
 - Turn it as needed until it engages with shaft. (It will drop down over end of shaft and will no longer turn freely. Fig. 1-1.
3. Set power head on its bottom. Fig. 1-2.

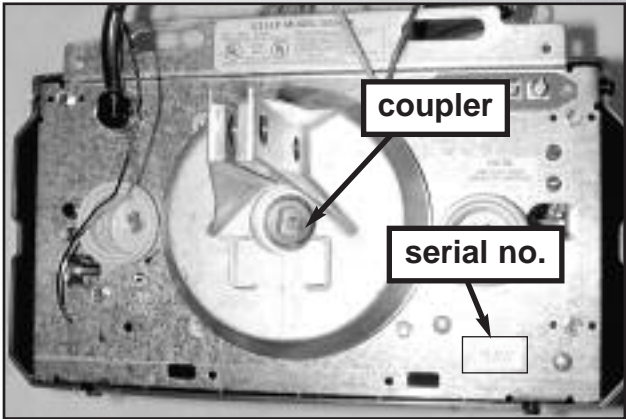


Fig. 1-1

⚠ CAUTION
 Drive screws can slide out of boom sections. Keep boom sections level until operator is fully assembled.

4. Attach boom to power head.
 - Place bearing end of screw against coupler. Fig. 1-2.
 - Turn screw until it engages with coupler.
 - Slide boom into boom attachment flange until holes in boom match up with holes in flange.
 - Secure boom with 2 bolts [4] and 2 nuts [5], hand tight only. Fig. 1-3.



Fig. 1-2

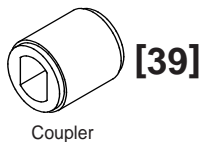


Fig. 1-3

NOTE: If installing an extension kit for an 8 feet high door, refer to the instructions included with the extension kit now.

5. Flip power head/boom assembly over (upside down), so that entire length of screw is visible from above.
6. Install carriage stop [6].
 - Slide carriage stop along boom until it rests against power head.
7. Install carriage [10].
 - Place emergency release lever in released position. **Fig. 1-5.**
 - Make sure arrow on side of carriage (**Fig. 1-5**) is pointing away from power head. (Emergency release lever will be facing power head.)
 - Slide carriage into boom. **Fig. 1-6.**
8. Flip assembly right side up. (Boom resting on carriage.)
9. Attach boom strap [13].
 - Place boom strap against end of boom so that attached stud passes in front of end of boom. **Fig. 1-7.**
 - Line up boom strap holes with boom holes.
 - Secure with 2 bolts [46] and 2 nuts [9].
10. Make sure boom assembly is resting straight and level.
 - FULLY TIGHTEN ALL BOLTS AND NUTS IN BOOM ASSEMBLY.

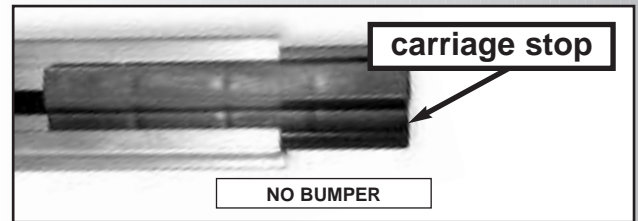


Fig. 1-4

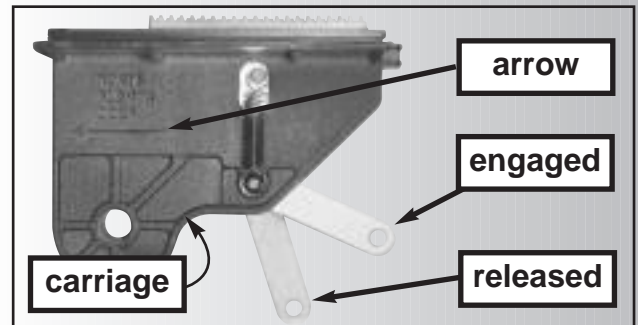


Fig. 1-5

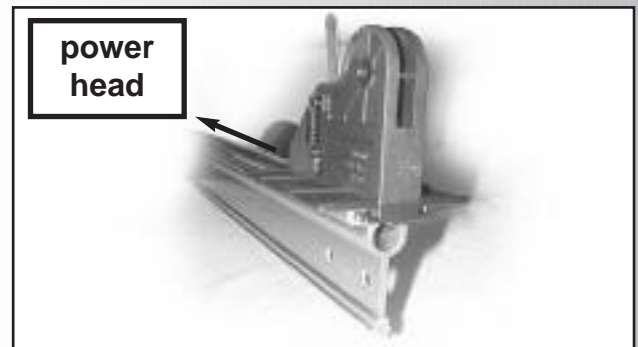


Fig. 1-6

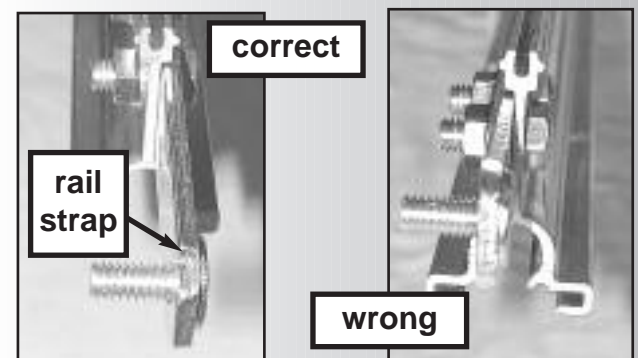
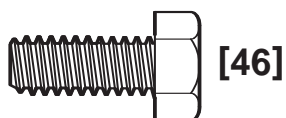


Fig. 1-7



5/16" Flange nut



5/16" x 3/4" Hex head bolt

OPEN GREEN PARTS BAG

Screws for attaching light cover are included in this bag.
Please set aside for use later.

11. Attach emergency release cord* and knob. Fig. 1-8.

- Tie overhand knot at one end of emergency release cord and pull cord through the hole in the release lever up to the knot.
- Thread opposite end of cord through knob and tie a knot in this end also.
- Following installation of your garage door opener, adjust the height of the knob to no less than 6 feet above the floor.

*The Emergency Release Cord is threaded through the Carriage release lever at the factory.

12. Attach limit switches.

- “CLOSE” limit switch [15B].
(Switches are identical.)
 - Place “CLOSE” limit switch over top of boom about 12 inches from boom strap. **Fig. 1-9.**
 - Check that white lever is toward power head.
 - Insert set screw [16] into limit switch hand tight only to temporarily hold switch in place. **Fig. 1-9A.**
 - Attach brown wire to switch. **Fig. 1-9B.**
 - Leaving some slack in wire (**Fig. 1-10**), run wire down inside groove in top of boom back to power head.
 - Use wire clip [44] to help maintain slack. **Fig. 1-10.**
- “OPEN” limit switch [15A].
 - Place “OPEN” limit switch over top of boom about 12 inches from power head. **Fig. 1-11.**
 - Check that white lever is on side away from power head. (This means limit switches hang off opposite sides of boom. Check this to help verify they are installed properly.)
 - Insert set screw [16] into limit switch hand tight only to temporarily hold switch in place.
 - Attach grey wire to switch. **Fig. 1-11.**
 - Leaving some slack in wire (**Fig. 1-11**), run wire down inside groove in top of boom back to power head.
 - Use wire clip [44] to help maintain slack. **Fig. 1-11.**
- Coil excess wire and tape it to top of power head. **Fig. 1-11A.**

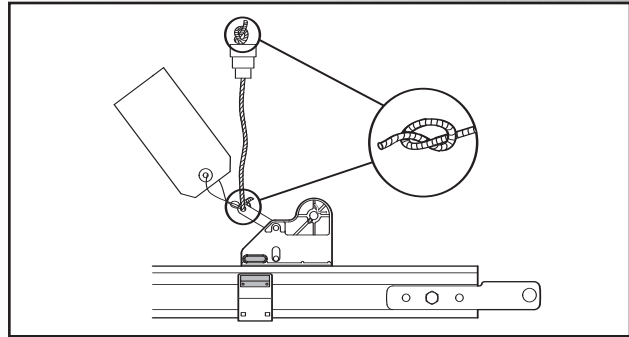


Fig. 1-8

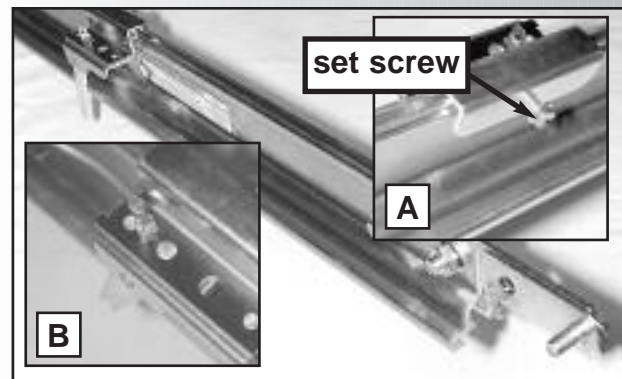


Fig. 1-9

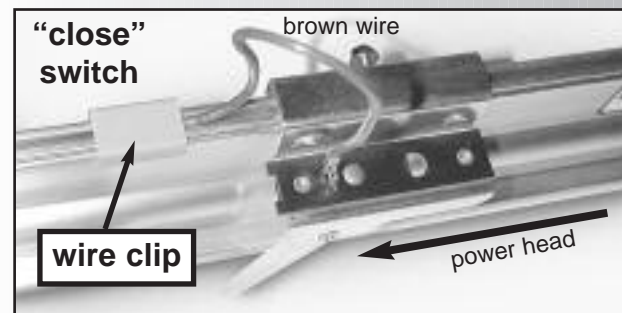


Fig. 1-10

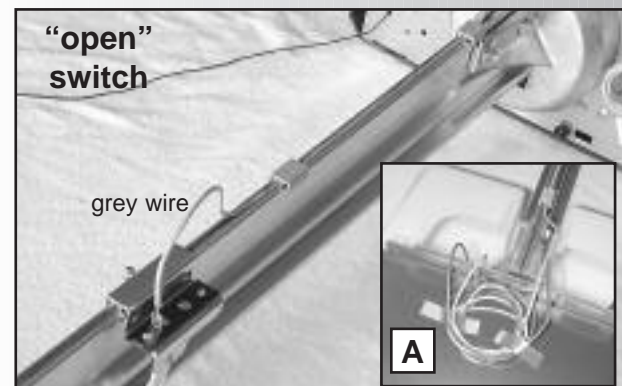


Fig. 1-11

NOTE: There are differences in installations depending on which type of door you have. These differences are explained throughout this section. Please note those steps which are applicable to your particular door.

REFER TO PAGES 2 & 3.

There are two basic types of residential garage doors. They are:

SECTIONAL DOORS—divided into a set of narrow panels (usually four) connected by hinges, so door can “bend” as it rides on a curved track.

1-PIECE DOORS—consist of one large panel and swivel on large spring-loaded hinges on each side of door.

1. Determining header bracket location.

- Find center of door from side to side.
 - Measure overall width of door.
(example: 16 feet)
 - Divide overall width by 2.
(example: $16 \div 2 = 8$ feet)
- Measure this distance from side of door and draw a pencil line vertically from the top of the door down approximately 1 foot. This is the centerline. **Fig. 2-1.**
 - Continue marking centerline on wall above door from top of door up approximately 1 foot. **Fig. 2-1.**

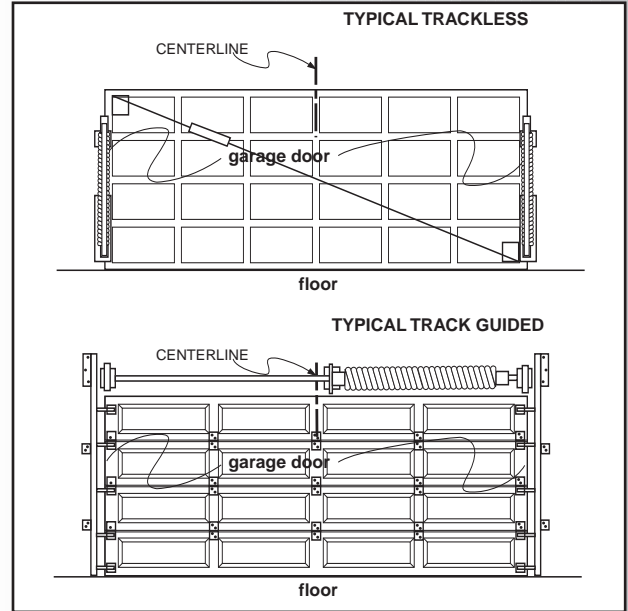


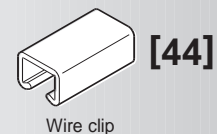
Fig. 2-1

Sectional doors may have one torsion spring (as shown) or two springs (one on each side).

Some older doors may have extension springs.



#8-32 x 1/2" Hex head screw



Wire clip

2. Finding highest point of travel.

- While raising garage door manually, watch top edge of door to see where it reaches its highest point. This is called “highest point of travel.” **Fig. 2-2.**
- A locking pliers can be used to hold the door in position by clamping it onto the rail. (A stool, chair, table or any object that can safely support door will work.) **Fig. 2-3.**
 - With door held partly open (at its “highest point”), measure distance from top edge to the floor.
- Remove support and gently lower door.
- Mark “highest point of travel” at centerline on wall above door. **Fig. 2-3.**

NOTE: Following step depends on type of door.

3. Final header bracket mounting location.

- For SECTIONAL DOORS—
add 2-1/2 inches to “highest point of travel” and mark this height on centerline. **Fig. 2-3.**
- For ONE-PIECE DOORS—
add 6 inches to “highest point of travel” and mark this height on centerline. **Fig. 2-4.**

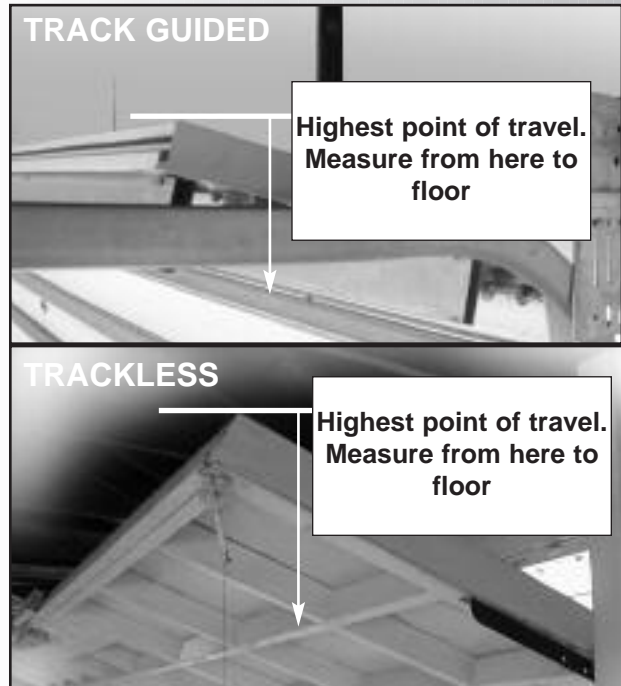


Fig. 2-2

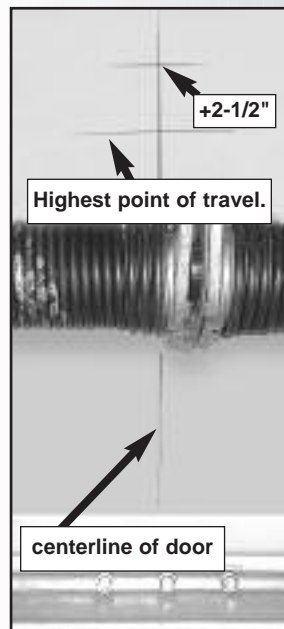


Fig. 2-3

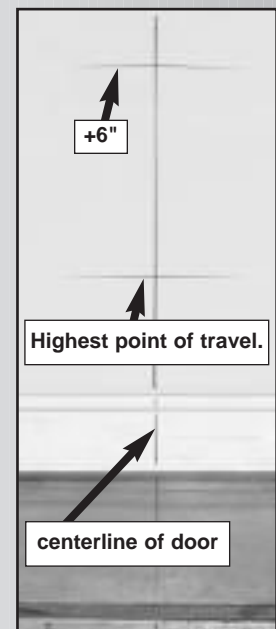


Fig. 2-4

NOTE: If torsion spring interferes with your final location, mark bracket location 2-1/2" or 6" above torsion spring depending on garage door type.

4. Check mounting location for strength. Header bracket must be attached to framework of garage. Fig. 2-5.

- If final header bracket position is on garage door header, continue with step 5.
- If final header bracket position is above garage door header, a mounting plate must be installed and mounting location must be remarked before continuing with step 5.

Fig. 2-5.

- If your garage wall is finished (covered with drywall), continue with step 5.

5. Mounting preparation.

- Hold bracket against wall where final header bracket height crosses centerline.
- Make sure boom attachment side of flange is on centerline. **Fig. 2-6.**
- Mark screw hole locations.
 - If your wall is finished, take a small “finish nail” and gently tap it through drywall where you have marked screw holes to find out if there is wood behind mounting location. If your marked location is solid, continue with step 6.
 - If your marked mounting location is not solid, a mounting plate must be installed and mounting location remarked before continuing. **Fig. 2-7 and Fig. 2-5.**

OPEN ORANGE PARTS BAG

6. Mount header bracket [20].

- Drill 5/32 inch pilot holes at marked screw hole locations.
- Fasten header bracket using 3 lag screws [22].



1/4" x 2" Lag screw

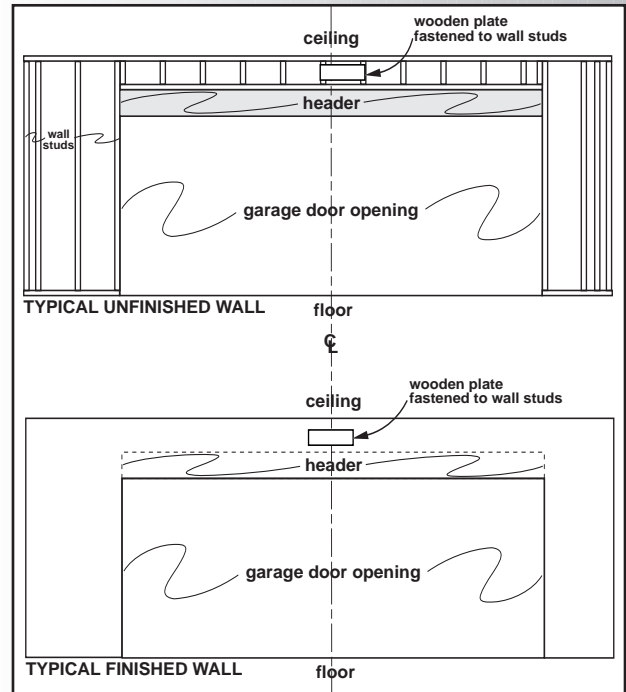


Fig. 2-5

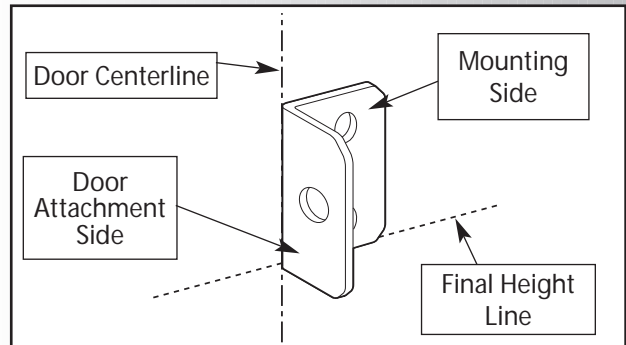


Fig. 2-6

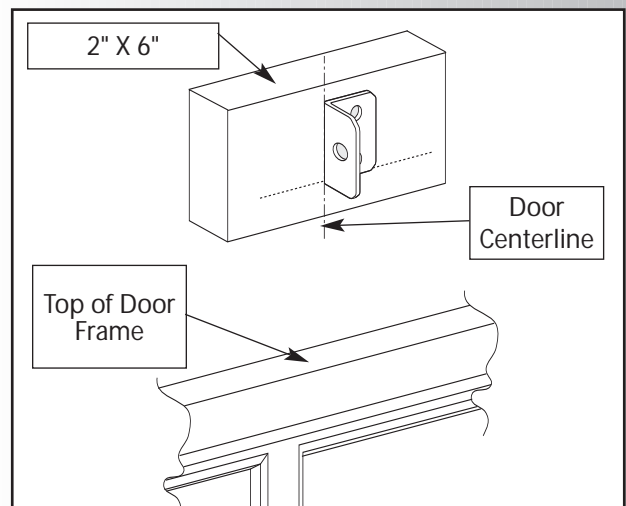


Fig. 2-7

7. Attaching boom to header bracket.

- Gently set power head on garage floor while leaning boom strap against header bracket. (It is recommended that you place a piece of cardboard or similar material between power head and floor to prevent scrapes and scratches to power head.)

NOTE: *It may be necessary to support power head above floor. As little as a few inches, or as much as 5 or 6 feet depending on position of torsion spring(s). Be sure to use a stable support device, such as a ladder.*

- Slide threaded stud of boom strap through hole in flange of header bracket.
- Fasten with nut [9], finger tight only. **Fig. 2-8.**

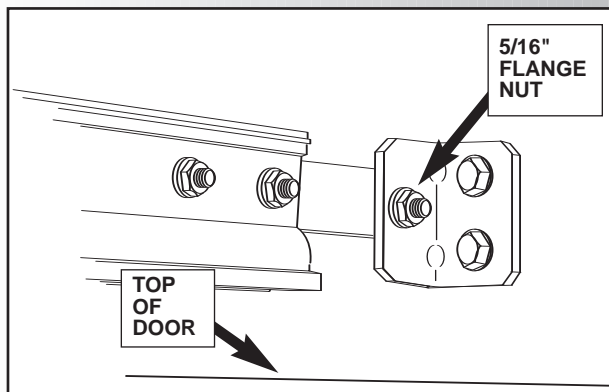


Fig. 2-8



5/16" Flange nut

8. Mounting power head.

- Raise power head and support it high enough that you can manually raise garage door fully open.
- Line up power head and boom with center of door. **Fig. 2-9.**
- Keeping power head centered, mount to ceiling:
 - at proper height;
 - a. for sectional doors boom should be level with floor or slightly below level. **Fig. 2-10.**
 - b. for 1-piece doors boom should clear door by about 2 inches. **Fig. 2-10.**



Fig. 2-9

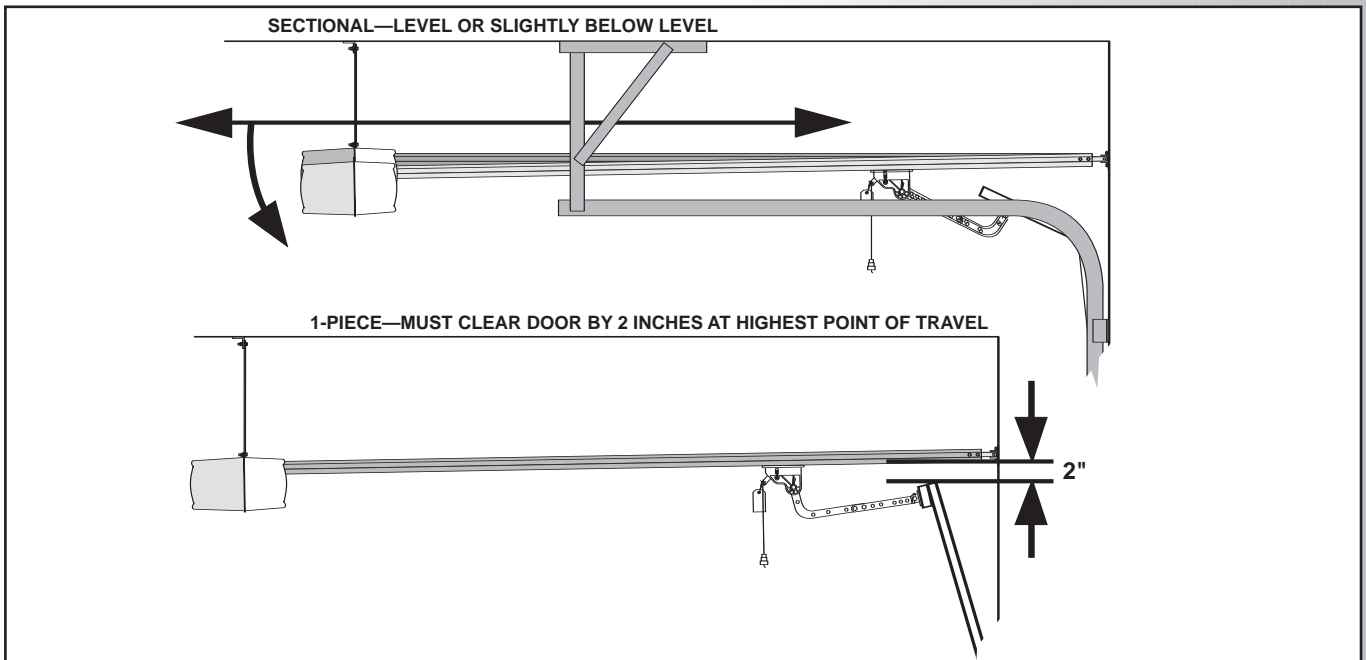


Fig. 2-10

- using one of the preferred methods shown, **Fig. 2-11**, mount power head. (It is possible to use other mounting methods. The critical point to remember is that the mounting assembly must be solidly attached and able to support the weight of the power head.) **DO NOT ATTACH TO DRY WALL OR SUSPENDED CEILING.** It must be anchored to the framework of the garage.
- Fully tighten boom strap nut.

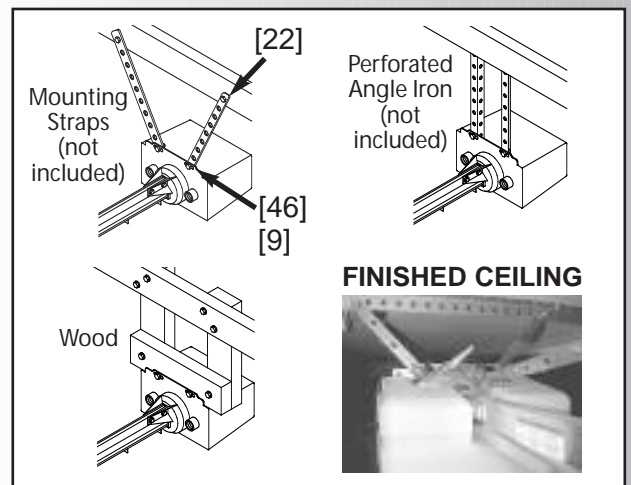


Fig. 2-11

9. Mounting door bracket [21].

- Center of bracket must be on centerline of door and must be mounted as high as possible. **Fig. 2-12A & B.**
- Hold bracket against door at preferred location and mark screw holes.
 - for wooden doors, drill 5/32 inch pilot holes.
 - a. Fasten door bracket using 3 lag screws [22].
 - b. Check thickness of door against lag screws. (It may be necessary to mount door bracket on a 2" x 6", etc. attached to inside of door to prevent screws from coming out other side of garage door. **Fig. 2-12A.**

– for light-weight doors

CAUTION: In the case of sectional doors, the door bracket must not be below the highest set of rollers. **Fig. 2-13.**

- there are a wide variety of reinforcements depending on manufacturer and some are equipped with hardware that is intended to be used in place of the door bracket.

Be sure to confirm proper use of this hardware with your door manufacturer. Unauthorized improper use of these attachment systems could void your warranty. WHEREVER POSSIBLE—USE DOOR BRACKET SUPPLIED WITH YOUR OVERHEAD DOOR OPERATOR.

- a. Fasten door bracket using 3 self-drilling screws [47].

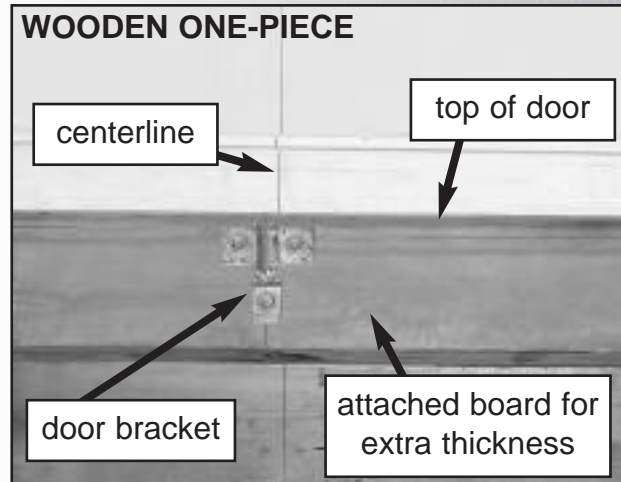


Fig. 2-12A

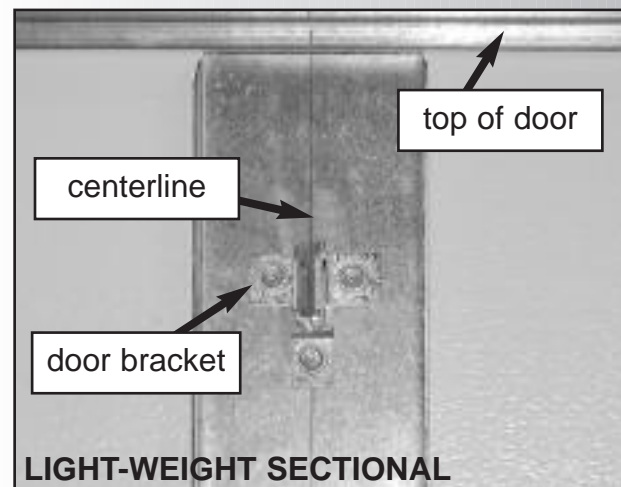


Fig. 2-12B

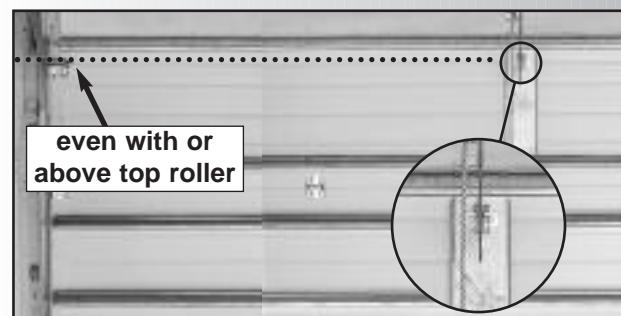
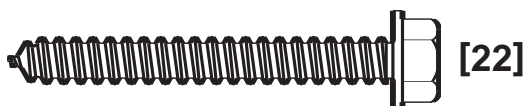
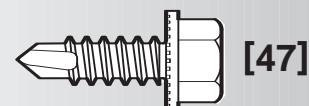


Fig. 2-13



1/4" x 2" Lag screw



1/4"-20 Self-drilling screw

OPEN YELLOW PARTS BAG

20

10. Attach door arms [23] and [26].

- **For sectional doors.**
 - Connect short leg of curved arm to door bracket. **Fig. 2-14.**
 - Use clevis pin [24] and cotter pin [25]. **Fig. 2-14.**
 - Connect straight arm to carriage.
 - Use clevis pin [24] and cotter pin [25].
 - Overall length of arms together should be **as short as possible**, but must not be so short that they are vertical when the door is fully closed. **Fig. 2-14.**
 - a. Move carriage as necessary to adjust length.
 - b. Place bolts [27] and nuts [28] as far apart as possible. **Fig. 2-14.**
 - c. Tighten bolts and nuts.
- **For 1-piece doors.**
 - Connect short leg of curved arm to carriage. **Fig. 2-14.**
 - Use clevis pin [24] and cotter pin [25]. **Fig. 2-14.**
 - Connect straight arm to door bracket.
 - Use clevis pin [24] and cotter pin [25].
 - Overall length of arms together should be as long as possible. **Fig. 2-14.**
 - a. Move carriage as necessary to adjust length.
 - b. Place bolts [27] and nuts [28] as close together as possible. **Fig. 2-14.**
 - c. Tighten bolts and nuts.

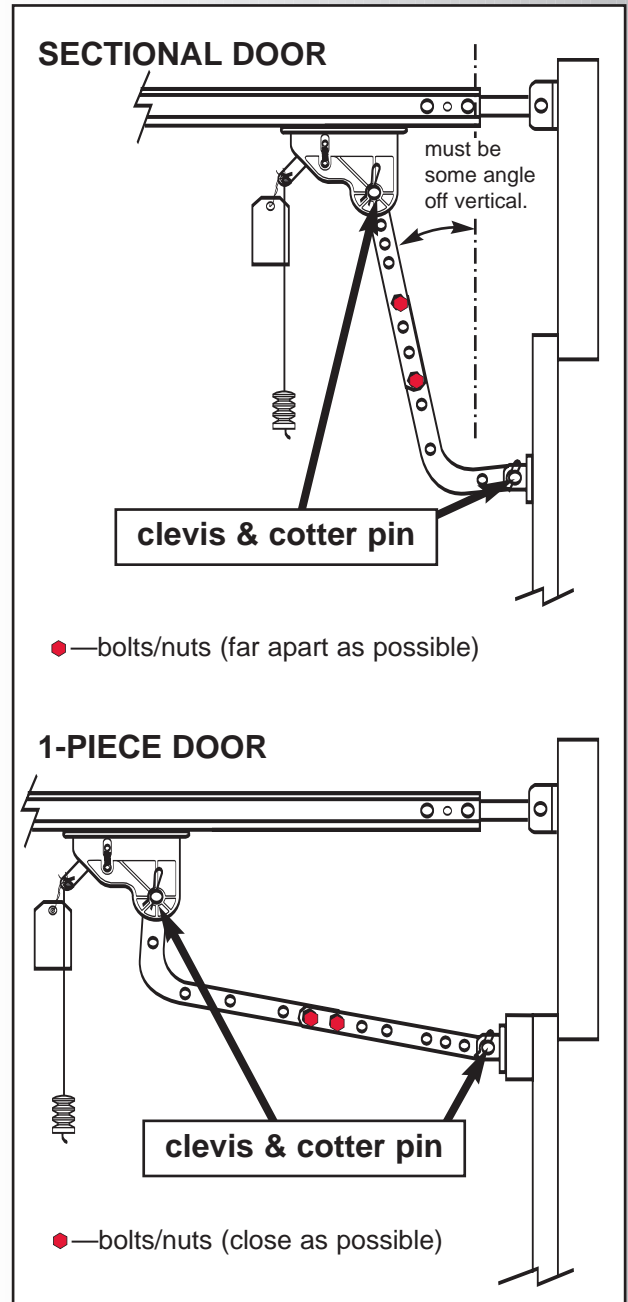
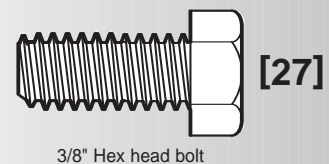
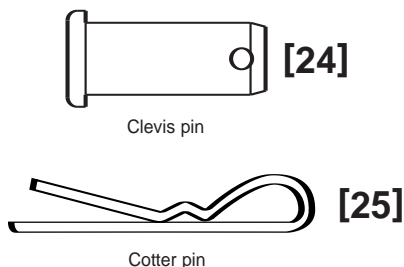


Fig. 2-14



3/8" Hex head bolt



3/8" Nut

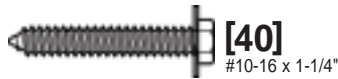
⚠ WARNING

There should be no electrical power to the operator while installing Safe-T-Beam System® wires. If you have plugged in the power cord—UNPLUG IT NOW.

NOTE: Operator will not close door automatically unless the Safe-T-Beam® System is installed.

1. Mounting brackets.

- Mark both sides of garage door frame or wall 5" above floor. **Fig. 3-1.**
- Hold bracket [38] against door frame or wall.
 - Check if brackets extend out from wall far enough, so tongue of bracket is beyond door, tracks or any door hardware.
 - If not:
 - a. STB bracket extensions are available at local dealer.
 - b. Blocks of wood, etc. may be substituted for extensions.
- Center bracket on your mark **Fig. 3-2.**
- Fasten each with 2 screws [40]. **Fig. 3-2.** (Tongues should point toward each other.)



NOTE: Mounting brackets can be attached to brick walls or concrete floor using masonry anchors (not provided).

2. Mounting STB source and sensor.

- If garage has only one garage door.
 - Determine which side of garage receives most direct sunlight **Fig. 3-4**, and place Red LED here whenever possible **Fig. 3-4.**
- For multiple doors.
 - Preventing crossed signals is critical.
 - Place source and sensor modules on adjacent doors facing in opposite directions **Fig. 3-4.**

NOTE: To help prevent interference from sun, STB sensors (Green LED) may be placed further from the door opening where they will spend more time in shadows.

- Slide source/sensor onto tongue of bracket until it clicks into place **Fig. 3-3.**

OPEN RED PARTS BAG

3. Wiring.

- Route wire [29] using either method shown **Fig. 3-5.**
- Securely fasten wires to ceiling and walls as you go using insulated staples [30].
 - Staples should be snug only. Staples which are too tight can cut wires.

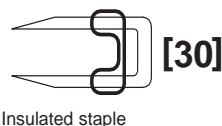


Fig. 3-1

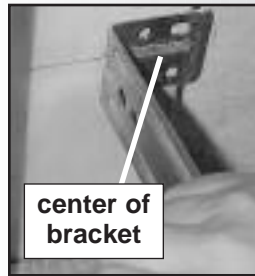


Fig. 3-2

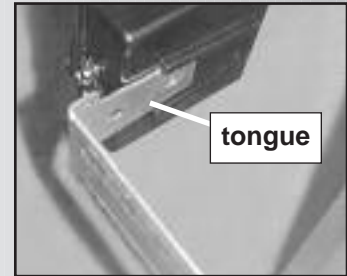


Fig. 3-3

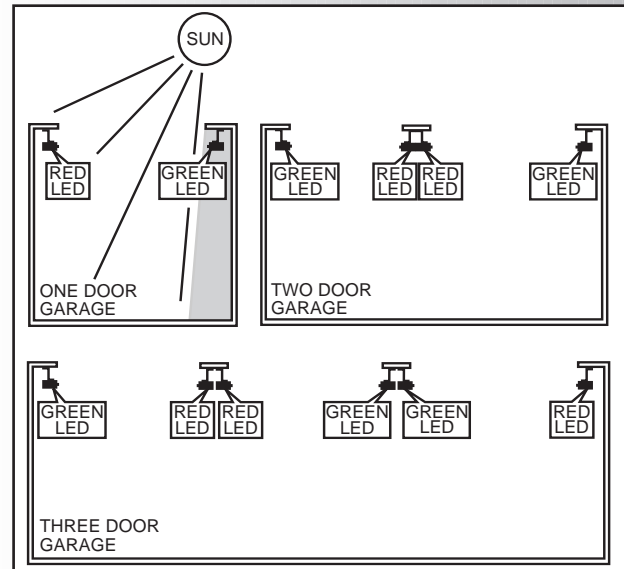


Fig. 3-4

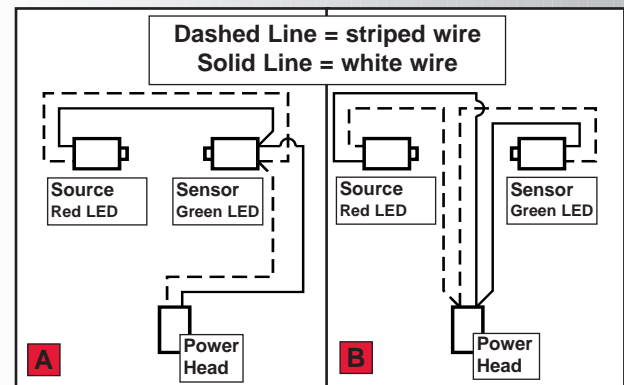


Fig. 3-5

⚠ CAUTION

Staples which are too tight can cut or pinch wires. Cut or pinched wires can cause the STB System to stop working. When using the insulated staples, make sure you fasten them only as tightly as needed to hold the wire snug-

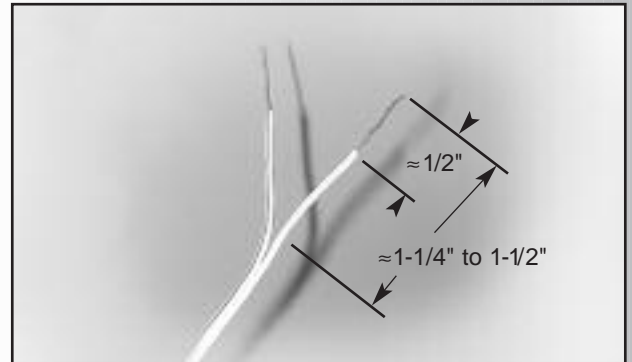
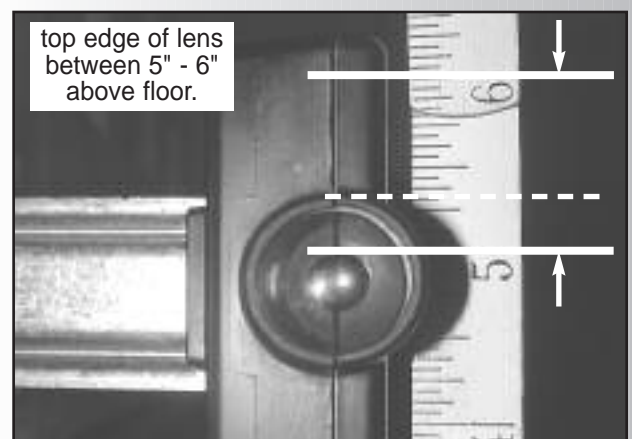
- Make wire attachments at STBs.
 - Split and strip wire ends to be connected as shown **Fig. 3-6**.
 - Loosen terminal screws.
 - Insert wire under flat plate and tighten screw. It does not matter which wire, white or striped, goes on which terminal **Fig. 3-7**.
- Make wire attachments at power head.
 - STBs are connected to terminals #3 and #4 on power head **Fig. 3-8**. It does not matter which wire, white or striped, goes on which terminal.

4. Check the following.

- Ensure that no part of door or its hardware is in path between lenses of **source** and **sensor**.
- Ensure that tops of lenses are between 5"-6" above the floor **Fig. 3-9**. The brackets are flexible, and can be adjusted slightly if needed.

NOTE: STB alignment check will be performed following connection to electrical power (see page 25). DO NOT PLUG IN YET!

(See Illustration on page 5 for a full view of STB location.)

**Fig. 3-6****Fig. 3-7****Fig. 3-8****Fig. 3-9**

⚠ WARNING
 Power must be removed before attaching wires. Be sure ends do not touch each other or other terminals.

⚠ CAUTION

- Use of any other wall control can cause the door to operate unexpectedly and the light not to work.
- Cut or pinched wires can cause door operator to malfunction. Drive staples just tight enough to hold wire.

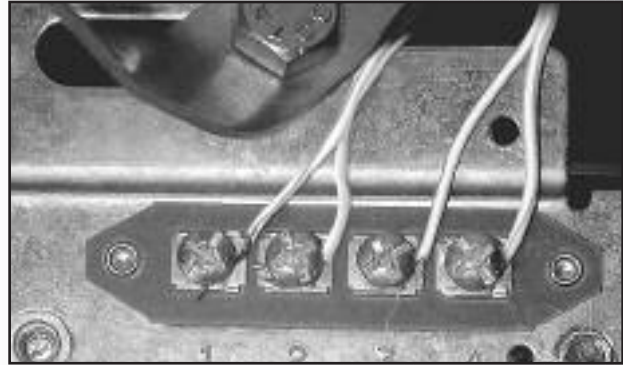


Fig. 4-2

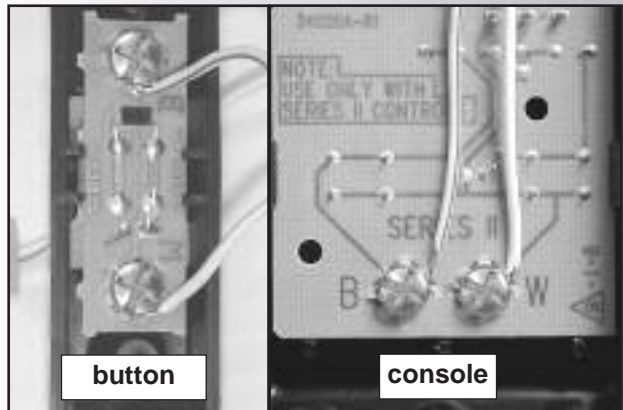


Fig. 4-3



Fig. 4-4

- 1. Run wire from power head to wall control**
 - Find location for wall control:
 - In sight of door and away from moving parts.
 - At least 5 feet from floor, so small children cannot reach it.
 - Route wire from wall control to power head.
 - Use staples to fasten wire to ceiling and wall.

NOTE: Use only staples included

- 2. Split wires at ends and remove 1/2 inch of insulation from end of each Wire. Fig. 3-6.**
- 3. Attach wires to terminals. Fig. 4-2, Fig. 4-3.**
 - Loosen (Do Not Remove) screws from Terminals at power head and wall control
 - Connect wires to power head
 - White wire to terminal #1
 - Striped wire to terminal #2
 - Tighten screws
 - Connect wires to wall control
 - Striped wire to terminal “B”
 - White wire to terminal “W”
 - Tighten screws
- 4. Mount wall control. Fig. 4-4.**
 - Use (2) pan head screws [34].
- 5. Mount entrapment warning label. Fig. 4-4.**
 - Remove protective backing.
 - Stick label to wall next to wall control.
 - Tacks or staples may be required on some rough texture surfaces.

NOTE: Additional wall controls are available from your dealer. ONLY ONE OF YOUR WALL CONTROLS MAY BE THE LIGHTED TYPE. If you have a lighted wall control, all your additional controls must be unlighted. More than one lighted wall control per operator will cause a malfunction.



#6 x 1-1/4" Pan head screw

1. Wall console. Fig. 4-5.

A. Vacation locking switch.

- Lock disable all controls after door closes..
- Unlock allows all controls to work normally.

NOTE: Carriage must stay in contact with "CLOSE" limit switch in order for the vacation locking switch to work.

B. Door control button.

- Opens and closes door from inside garage.
- Lights on shows system has power available and vacation switch is not locked.
- Lights out shows either power is not available or vacation locking switch is locked.

C. Independent light control.

- Turns operator lights on and off without moving door.

2. Wall Button

- Operates door from inside garage.

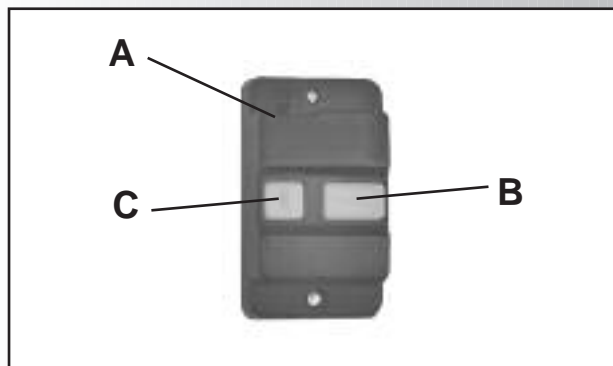


Fig. 4-5

SECT 5—LIGHT & LENS INSTALLATION

1. Install light bulbs.

- 2 bulbs.
 - No more than 60 watts each.
 - **Do Not** use short neck bulbs.
 - Whenever possible, use bulbs rated for:
 - rough service
 - vibration
 - appliances

2. Install lens.

- Hook bottom hinges into slots in bottom of front plate. **Fig. 5-1.**
- Swing lens up over lights.
- Fasten with 2 pan head screws ([42] *green parts bag*). **Fig. 5-2.**

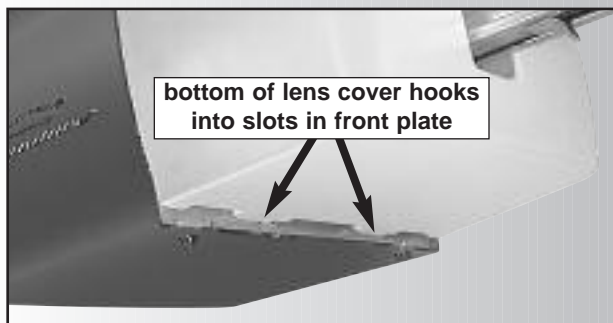


Fig. 5-1



Fig. 5-2



#8 x 3/8" Pan head screw

WITH GROUNDED PLUG:

⚠ WARNING

To reduce the risk of electrical shock, this equipment has a grounded type plug that includes a third (grounding) pin. This plug will only fit a grounded type outlet. If you do not have a grounded outlet, contact a qualified electrician to install one. **DO NOT** alter the plug in any way. The door operator must be properly grounded in order to prevent personal injury and damage to the components.

1. Check local building codes.
 - Does building code require permanent wiring?
 - If not, skip to step 9.
 - *If yes, have an electrician perform steps 2 through 8.*

CONNECT POWER WITH PERMANENT WIRING

Instructions for electrician.

2. Remove power from circuit.
 3. Remove motor cover (Fig. 6-1).
 - Remove 4 screws [41] from cover and slide off back of power head.
 4. Remove and discard power cord.
 - Cut off power cord inside power head.
- NOTE:** *There must be at least 6 inches of black and white wire inside the power head (Between splice and entrance bushing).*
- Remove and throw away power cord, strain relief and knock-out.
5. Install suitable entrance bushing.
 6. Connect permanent wiring to power head wires.
 - Connect white supply line to white wire.
 - Connect black supply line to black wire.
 - Connect ground to green wire (ground).

NOTE: *Use only U.L. recognized wire nuts*

7. Replace motor cover.
 - Slide motor cover back on.
 - Replace and tighten 4 screws.
8. Reconnect power to circuit.

CONNECT POWER WITH PLUG

9. Plug in door operator.
 - See warning above.
 - Plug door operator into a grounded outlet.
 - Perform STB® alignment check (Fig. 6-2).

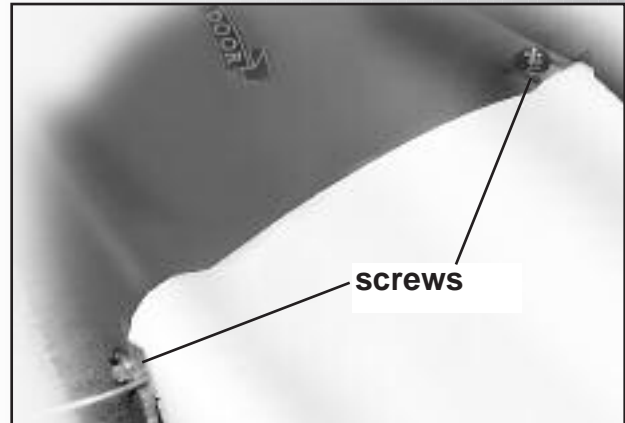


Fig. 6-1

Safe-T-Beam® Alignment Check

After turning the electrical power on, if the STBs are not in proper alignment, the red LED (Source) will blink continuously.

To correct the problem – the brackets are flexible and can be adjusted slightly to bring the system into alignment.

When the STBs are in alignment the red LED will stop blinking and stay on.

Fig. 6-2

⚠ CAUTION

Door opens rapidly

- Keep clear of door and its path.
- Keep ladder to side of power head to prevent being hit by moving parts.

Be sure and set force adjustments at minimum required to operate door.

1. Set limit switch position.

- Check door fully closed.
 - If not, close door manually.
- Check carriage is between limit switches.
 - If not, move “CLOSE” limit switch (brown wire) to new position between door and carriage.
 - Slide “CLOSE” limit switch back toward carriage until lever is fully lifted. **Fig. 7-1.**
 - Tighten limit switch set screw.
- Manually open door to fully open position..
- Check carriage is between limit switches.
 - If not, move “OPEN” limit switch to new position between power head and carriage.
 - Slide “OPEN” limit switch back toward carriage until lever is fully lifted. **Fig. 7-1.**
 - Tighten limit switch set screw.

2. Adjust opening force.

- On front panel of power head—find adjusting screw marked “CLOSE.” **Fig. 7-2.**
- Turn screw gently counterclockwise until it stops.

NOTE: Very little force is required to move adjusting screws.

- Run operator using wall control.
- Observe door runs to “CLOSE” limit switch.
 - If not, increase closing force by turning “CLOSE” adjusting screw clockwise slightly (about 1/16 turn).
- Repeat until door runs to “CLOSE” limit switch.
- Check door is fully closed.
 - If not, move “CLOSE” limit switch toward door as necessary to achieve fully closed.

3. Adjust closing force.

- On front panel of power head—find adjusting screw marked “OPEN.” **Fig. 7-2.**
- Turn screw gently counterclockwise until it stops.
- Run operator using wall control.
- Observe door runs to “OPEN” limit switch.
 - If not, increase opening force by turning “OPEN” adjusting screw clockwise slightly (about 1/16 turn).
- Repeat until door runs to “OPEN” limit switch.
- Check door is fully open.
 - If not, move “OPEN” limit switch toward power head as necessary to achieve fully open.

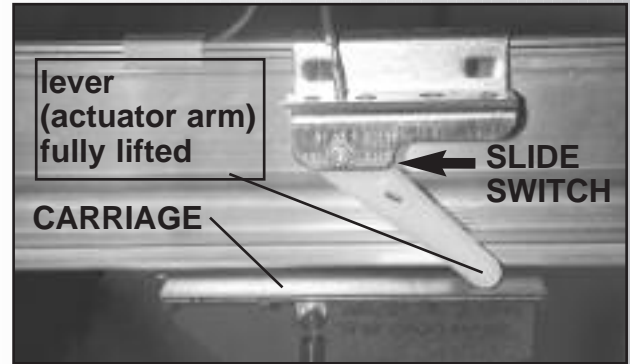


Fig. 7-1

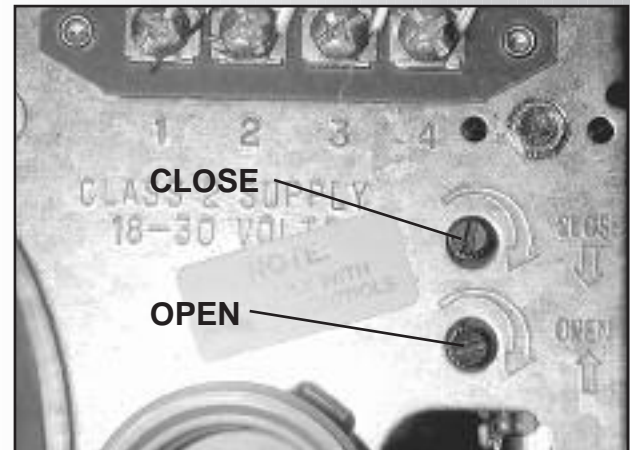


Fig. 7-2

NOTE:

When the garage door is closing and contacts a vehicle or other obstruction, the contact reverse mechanism may not prevent damage to the obstruction, garage door or garage door operator.

Limit switch adjustments must be completed before running contact reverse test.

1. Test contact reverse.

- Open door using wall control.
- Lay 2" x 4" board* on floor in center of garage door opening. **Fig. 7-3.**
- Close door using wall control.
 - Door should stop and reverse within 2 seconds of contacting the board.
 - If door does not reverse properly:
 - a. Decrease closing force a small amount by turning the "CLOSE" force adjustment screw slightly counterclockwise.
 - b. Test contact reverse again.
 - c. Repeat steps a. and b. until contact reverse works properly.



Fig. 7-3

*If you don't have a 2" x 4" board handy, any object 1-1/2 inches high that can withstand being hit by the garage door without sustaining damage is fine.

NOTE: If door is *stopping but not reversing*, "CLOSE" limit switch must be moved closer to door.

SECT 8—BATTERY & VISOR CLIP

1. Install/replace battery Fig. 8-1.

- Using a pen or similar object, gently push in on tab.
- Cover snaps open. Remove old battery.
- Observe polarity markings (+,-) inside battery compartment.
- Match new battery to polarity markings and install new **EVEREADY** A 23, 12 Volt battery.
- Replace battery cover.

NOTE: Use only **EVEREADY** A23, 12 Volt battery.

2. Attach visor clip Fig. 6-1.

- Slide clip in slot on back of remote control.
 - Snap in place.

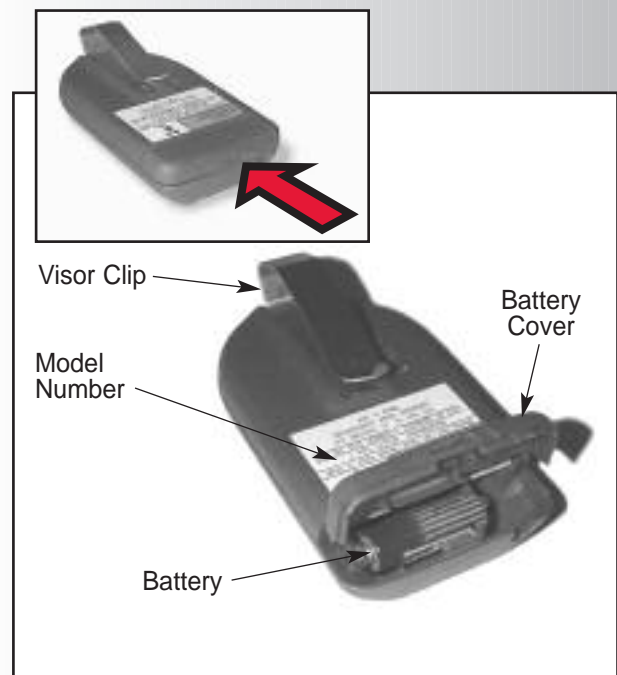


Fig. 8-1

PROGRAMMING REMOTE CONTROLS

NOTE: Each remote device must be programmed separately

⚠ WARNING

Moving door can cause serious injury or death.

- Keep people clear of opening while door is moving.
- Do not allow children to play with remote controls.

If Safety reverse does not work properly:

- Close door and disconnect operator using emergency release.
- Do not use door operator, remote controls, or wireless keypad.
- Refer to door and door operator owner's manuals before attempting any repairs.

NOTE: Remote controls will not close door if STBs malfunction.

NOTE: When programming remote control, it must be at least 24 inches from the antenna.

1. Program one button remote.

- Lower lens cover.
- Locate learn code button and learn indicator on power head **Fig. 9-1**.
- Press and release learn code button.
 - Red learn indicator blinks 2 times per second.
- Press remote control button once within 30 seconds.
 - Red learn indicator stays lit.
- Press remote control button again.
 - Red indicator goes out and memory is stored.

NOTE: If red indicator blinks approximately 4 times per second, programming has stopped. If programming stops, repeat above steps.

2. Program multi-button remote.

- Repeat step 1 above "Program one-button remote" for each button and operator.

NOTE: Each button on a multi-button remote control is for a different operator. You cannot use more than one button on a multi-button remote for a single door.

3. Operating remote.

- Press button once:
 - If door is at up or down limit, door will move away from that limit.
 - If door is stopped between limits, it will move toward the limit where it was last stopped.
 - If door is moving, it will stop.

NOTE: Door automatically stops at end of open or close cycle.

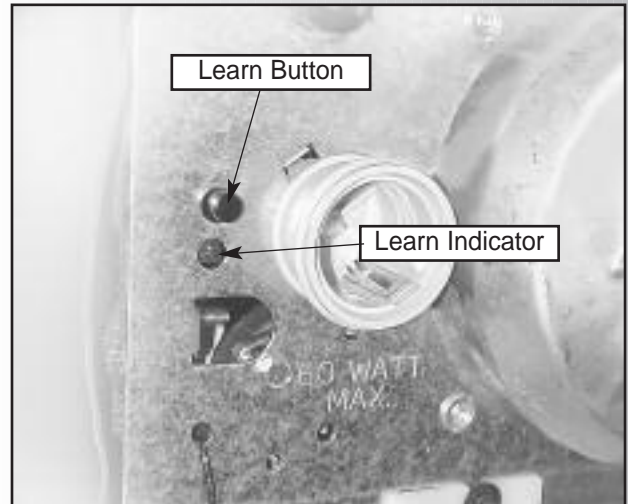


Fig. 9-1

To erase all receiver memory, such as following loss of remote, home sale or tenant turn-over.

- Press and hold learn code button for 10 seconds or until learn code indicator goes out—memory is erased.
- Program remotes as before.

FCC and IC CERTIFIED

This device complies with FCC Part 15 and RSS 210 of Industry Canada. This equipment has been tested and found to comply with the limits for a Class B digital device, pursuant to Part 15 of the FCC Rules. These limits are designed to provide reasonable protection against harmful interference in a residential installation. This equipment generates, uses and can radiate radio frequency energy and, if not installed and used in accordance with the instructions, may cause harmful interference to radio communications. However, there is no guarantee that interference will not occur in a particular installation. If this equipment does cause harmful interference to radio or television reception, which can be determined by turning the equipment off and on, the user is encouraged to try to correct the interference by one or more of the following measures:

- Re-orient or relocate the receiver antenna.
- Increase the separation between the operator and receiver.
- Connect the operator into an outlet on a circuit different from that to which the appliance is connected.
- Consult the dealer.

TRANSMITTER COMPLIANCE STATEMENT

Transmitters comply with all United States and Canadian legal requirements as of the date of manufacture. No warranty is made that they comply with all legal requirements of any other jurisdiction. If transmitters are to be used in another country, the importer must determine compliance with any local laws and regulations which may differ from United States and Canadian requirements prior to use.

Los transmisores cumplen con todas las reglamentaciones legales de los Estados Unidos y del Canadá, en la fecha de fabricación. Ninguna garantía se da que cumplan con todas las reglamentaciones legales de ninguna otra jurisdicción. Si los transmisores se van a utilizar en otros países, el importador debe determinar si cumplen con las reglamentaciones y leyes locales que puedan ser diferentes a las reglamentaciones de los Estados Unidos y del Canadá, antes de usar los mismos.

Les metteurs sont conformes à la réglementation américaine et canadienne à compter de leur date de fabrication. Aucune garantie n'est stipulée indiquant qu'ils sont conformes à toutes les prescriptions juridiques d'autres autorités. Si les metteurs sont utilisés dans d'autres pays, il incombe à l'importateur de en déterminer leur conformité aux lois et règlements locaux pouvant différer de celles des États-Unis et du Canada avant toute utilisation desdits metteurs.

Sendeger te entsprechen allen gesetzlichen Bestimmungen in den USA und Kanada zum Zeitpunkt der Herstellung. Wir übernehmen keine Gewährleistung für die Einhaltung aller gesetzlichen Bestimmungen in anderen Ländern. Sollen Sendeger te in anderen Ländern eingesetzt werden, so muss der Importeur vor dem Gebrauch sicherstellen, dass die Sendeger te auch solchen lokalen Bestimmungen entsprechen, welche von den Bestimmungen der USA und Kanadas abweichen.

截止于制造日期,传动装置符合美国和加拿大的所有法律要求。不提供传动装置符合任何其他司法地区所有法律要求之担保。如果传动装置需在任何其他国家使用,进口商必须在使用之前确定装置符合与美国和加拿大要求不同之所有地方法规条例。

トランスミッターは、製造日付けのアメリカ合衆国及びカナダの法的条件に準拠します。しかしながら、トランスミッターがアメリカ合衆国及びカナダ以外の国の法的条件に準拠するか否かは一切保証できません。トランスミッターがアメリカ合衆国及びカナダ以外の国で使用される場合、同製品の使用に先立つ法規制がこれらの国々と異なることがあるため、輸入者は同製品が輸入国の法規制に準拠することを確認しなければなりません。

트랜스미터들은 미국과 캐나다 전역에서 제조 날짜를 명기해야 하는 요구사항에 따라야 합니다. 기타 다른 관할권의 모든 법적인 요구 사항에 따라야 하는 책임은 없습니다. 만일 트랜스미터들이 기타 다른 지역에서 사용될 경우 수입업자는 사용하기에 앞서 미국과 캐나다와의 요구사항과는 다를지도 모르는 그 지역의 법과 조례에 따라야 할지의 여부를 결정해야 합니다.

IMPORTANT SAFETY INSTRUCTIONS

29

⚠ WARNING

To reduce the risk of severe injury or death:

1. READ AND FOLLOW ALL INSTRUCTIONS.
2. Never let children operate or play with the door controls. Keep the remote control away from children.
3. Always keep the moving door in sight and away from people and objects until the door is completely closed.
NO ONE SHOULD CROSS THE PATH OF THE MOVING DOOR.
4. NEVER GO UNDER A STOPPED, PARTIALLY OPEN DOOR.
5. Test operator monthly. The door MUST reverse on contact with a 1 1/2" high object (or a 2" x 4" board laid flat) at the center of the doorway on the floor. After adjusting either the force or the limit of travel, retest the door Opener. Failure to adjust the Opener properly may cause severe injury or death.
6. When possible, use the emergency release only when the door is closed. Use caution when using this release with the door open. Weak or broken springs are capable of increasing the rate of door closure and increasing the risk of severe injury or death.
7. KEEP DOORS PROPERLY BALANCED. See Owner's Manual. An improperly balanced door increases the risk of severe injury or death. Have a qualified service person make repairs to cables, spring assemblies, and other hardware.
8. **SAVE THESE INSTRUCTIONS.**

SECT 10—MAINTENANCE & TROUBLESHOOTING

MONTHLY MAINTENANCE

Door springs and hardware.

- Oil door rollers, bearings, and hinges.
 - Use silicone lubricant or light oil.

NOTE: Do not operate door automatically or manually if springs are broken. CONTACT A PROFESSIONAL FOR SERVICE.

Balance door.

- Close door.
- Release carriage from boom assembly.
 - Pull emergency release knob down.
- Raise door manually about 3 feet.
 - Door should stay in that position.

NOTE: If door moves, HAVE DOOR SERVICED BY A PROFESSIONAL.

- Reattach carriage to boom assembly.
 - Pull emergency release knob toward power head.
- Close door

Contact reverse.

- Lay 2" x 4" board flat on the floor in the center of garage doorway (See page 27).
- Close door using wall button or remote control.

NOTE: If door fails to reverse on contact with board. See page 28, CONTACT REVERSE. If operator still fails, replace operator or HAVE THE OPERATOR SERVICED BY A PROFESSIONAL.

MAINTENANCE CHECK-OFF

YEAR																			
1	2	3	4	5	6	7	8	9	10	11	12	13	14	15	16	17	18	19	20
MONTH																			
J	J	J	J	J	J	J	J	J	J	J	J	J	J	J	J	J	J	J	J
F	F	F	F	F	F	F	F	F	F	F	F	F	F	F	F	F	F	F	F
M	M	M	M	M	M	M	M	M	M	M	M	M	M	M	M	M	M	M	M
A	A	A	A	A	A	A	A	A	A	A	A	A	A	A	A	A	A	A	A
M	M	M	M	M	M	M	M	M	M	M	M	M	M	M	M	M	M	M	M
J	J	J	J	J	J	J	J	J	J	J	J	J	J	J	J	J	J	J	J
J	J	J	J	J	J	J	J	J	J	J	J	J	J	J	J	J	J	J	J
A	A	A	A	A	A	A	A	A	A	A	A	A	A	A	A	A	A	A	A
S	S	S	S	S	S	S	S	S	S	S	S	S	S	S	S	S	S	S	S
O	O	O	O	O	O	O	O	O	O	O	O	O	O	O	O	O	O	O	O
N	N	N	N	N	N	N	N	N	N	N	N	N	N	N	N	N	N	N	N
D	D	D	D	D	D	D	D	D	D	D	D	D	D	D	D	D	D	D	D

Just mark the appropriate box each time you perform routine maintenance.

One less thing you will have to try and remember on your busy schedule is whether or not you did the maintenance last month.

YEARLY MAINTENANCE

Drive Screw

- Lubricate drive screw.
 - Use GLU3 lubricant available at your local dealer.

⚠ CAUTION

Use only GLU3 lubricant, because other lubricants may damage operator.

FOR HELP-1.800.929.3667 OR OVERHEADDOOR.COM

SOURCE (RED LED)	SENSOR (GREEN LED)	INDICATED CONDITION	REQUIRED ACTION
● ON	● ON	NORMAL OPERATION	NONE REQUIRED
○ OFF	○ OFF	1. POWER HEAD NOT POWERED 2. WIRING FROM POWER HEAD BAD	1. CHECK BREAKERS, FUSES, PLUGS 2. CHECK WIRING FOR OBVIOUS SHORTS
○ OFF	● ON	1. WIRING TO SOURCE MISSING OR BAD 2. POWER HAS BEEN INTERRUPTED	1. CHECK WIRING 2. REMOVE POWER AND REAPPLY
2 BLINKS, PAUSE (REPEAT)	● ON	1. BEAM NOT ALIGNED 2. BEAM OBSTRUCTED 3. SENSOR DEFECTIVE	1. CHECK ALIGNMENT 2. CHECK FOR OBSTRUCTION 3. CALL CUSTOMER SERVICE
2 BLINKS, PAUSE (REPEAT)	○ OFF	1. WIRE TO SENSOR MISSING OR BAD 2. SENSOR DEFECTIVE	1. CHECK WIRING 2. CALL CUSTOMER SERVICE
3 BLINKS, PAUSE (REPEAT)	● ON	1. SENSOR RECEIVING INTERFERENCE	1. ATTEMPT TO DETERMINE SOURCE OF INTERFERENCE 2. CALL CUSTOMER SERVICE
4 BLINKS, PAUSE (REPEAT)	● ON	1. SOURCE NOT SENDING PULSES 2. SOURCE DEFECTIVE	1. CALL CUSTOMER SERVICE 2. CALL CUSTOMER SERVICE

NOTE: IF OPERATING PROBLEM EXISTS, THE DOOR CAN BE CLOSED IF YOU: 1. DISCONNECT THE STB SYSTEM FROM THE OPERATOR AND 2. HOLD WALL CONTROL BUTTON DOWN UNTIL DOOR IS CLOSED. (REMOTE CONTROL & WIRELESS KEYPAD WILL NOT WORK WITHOUT STB)

MAINTENANCE & TROUBLESHOOTING

Use this guide to correct problems with your door operator. If these solutions **do not** work, call Customer Service.

⚠ CAUTION

Use only with included **SERIES II** wall control
Use of any other wall control can cause the door to operate unexpectedly and the light not to work.



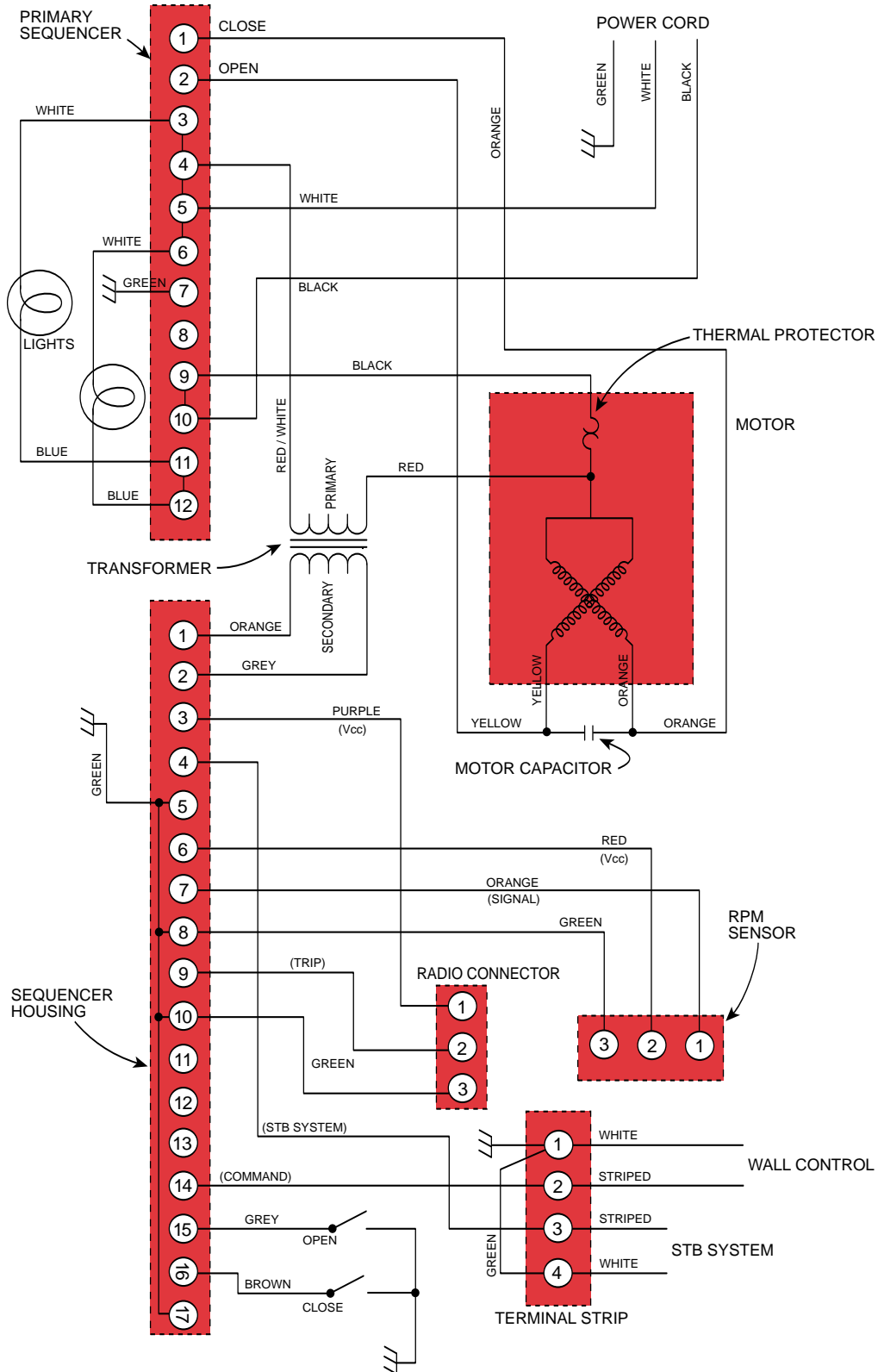
PROBLEM	SOLUTIONS
Operator does not run from wall control.	<p>Check lock switch on wall console (See section 4). Check the power source.</p> <ul style="list-style-type: none"> • Plug a lamp into outlet used for power head. If lamp works, power source is OK. If not, check fuse or circuit breaker. • If power is OK: <ul style="list-style-type: none"> - Check connections at power head terminals. - Check connections at wall control. - Motor protector may be open. Wait about 20 minutes for protector to reset.
Door starts for no reason.	<p>Check staples on wire from power head to wall control. If they cut into insulation, they can short wires. If wire is cut, replace it. Was a remote control lost or stolen? Erase all remote control codes from receiver memory and reprogram. Wall control button sticking. Check operation of buttons.</p>
Door starts down, then stops before it's closed.	<p>Check CLOSE limit switch setting (See Section 7) Check for shorted wires</p>
Door starts down, then stops and goes back up.	<p>Check force adjustment (See Section 7). Check CONTACT REVERSE (See Section 7). Check for light beam obstruction or misalignment of Safe-T-Beam® (See Section 3). Check STB self-diagnostic code.</p>
Door will only run closed.	<p>Check OPEN limit switch for short and proper wiring. Check force adjustment (See section 7). Check for broken door spring.</p>
Door will only run open.	<p>Check Safe-T-Beam® System (See section 3). Check CLOSE limit switch for short and proper wiring. Check force adjustment (See Section 7).</p>
Remote control has less than 25 feet operating range.	<p>Relocate remote control inside car. Point remote control at door. Replace battery. Do Not attempt to retune remote controls.</p>
Door starts up, but stops before it's completely open.	<p>Be sure door is in good repair, properly lubricated and balanced. Check OPEN limit switch setting (See section 7). Check force adjustment (See section 7). Check for broken door spring.</p>
Operator runs, but door does not move.	<p>Make sure carriage is engaged. Check force adjustment (See Section 7).</p>
Operator works from wall control, but not from remote control.	<p>Program remote control code into receiver memory (See section 9). If one remote control works and another does not, check battery, remote control type (Series II) and frequency of non-working unit (See section 9).</p>
Noisy operation.	<p>Be sure all fasteners are tight. Be sure door is in good repair, properly lubricated and balanced (See Monthly Maintenance section).</p>
STB System malfunction.	<p>Use self-diagnostic STB System troubleshooting information to maintain safe operation (See section 3).</p>
Lights will not go out.	<p>Check wiring. Disconnect & reconnect wires on wall control. Non-compatible wall control.</p>

⚠ CAUTION

Opening cover could cause electrical shock. Remove power from operator prior to removing cover.



ELECTRICAL SHOCK





Overhead Door Corporation

Limited Warranty

Overhead Door Corporation ("ODC") warrants to the original purchaser of the garage door opener as follows:

Model 930 - Motor 10 years and all other parts 2 years.
Model 950 - Motor Lifetime* and all other parts 5 years.

*Lifetime warranty - warranted for as long as you own your home.

ODC's obligation under this warranty is specifically limited to repairing or replacing at its option, any parts which shall be determined by ODC to be defective during the applicable warranty period. This warranty applies only to the original purchaser and is not transferable.

Repair or replacement labor is included for a period of one year from the date of installation. After one year, all labor charges will be the responsibility of the owner. This warranty applies only to the original purchaser and is not transferable.

This warranty does not apply to any opener installed in a commercial, industrial, or other non-residential application. This warranty does not apply to any opener which has been altered or repaired by any person not expressly authorized by ODC in writing to do so. This warranty does not apply to any opener or part which has been damaged or deteriorated due to misuse, accident, or failure to provide necessary maintenance, fire, flood or acts of God.

THERE IS NO WARRANTY OF MERCHANTABILITY, WARRANTY OF FITNESS FOR ANY PARTICULAR PURPOSE OR ANY OTHER IMPLIED WARRANTY BEYOND ONE YEAR FROM THE DATE OF INSTALLATION. ODC SHALL NOT BE LIABLE FOR INCIDENTAL OR CONSEQUENTIAL DAMAGES NOR FOR ANY FURTHER LOSS WHICH MAY ARISE IN CONNECTION WITH ANY CLAIM.

This warranty gives you specific legal rights, and you may also have other rights which vary from state to state. Some states do not allow limitations on how long an implied warranty lasts and some states do not allow the exclusion or limitation of incidental or consequential damages, so the above limitations or exclusions may not apply to you.

ODC has not established any informal dispute settlement procedure of the type described in the Magnuson-Moss Warranty Act. Claims under this warranty must be made in writing to ODC or one of its authorized distributors within the applicable warranty period. Either the original seller may be contacted or the nearest Overhead Door Distributor may be contacted by calling 1-800-929-DOOR. (Proof of purchase and identification as the original purchaser may be required.)

CORRESPONDENCE WITH FACTORY MUST INCLUDE

DATE / MFG. NO.

(LOCATED UNDER LENS OF POWER HEAD)

**FILL THIS IN AT TIME OF INSTALLATION FOR YOUR OWN RECORDS,
SO THAT IT WILL BE AVAILABLE IF YOU EVER NEED TO CALL US.**

Date Purchased _____ / _____ / _____	Serial Number _____ / _____ / _____
Operator Model _____	Remote Control Model _____
Dealer Name _____	
Dealer Address _____	
City _____	State _____ Zip _____



22790 Lake Park Blvd. • Alliance, Ohio USA • 44601

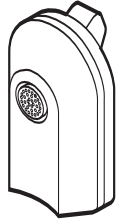
Your Local Overhead Door Distributor

1.800.929.3667

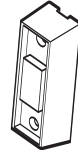
Or visit us at

www.overheaddoor.com

1-Button Remote Control with CodeDodger®



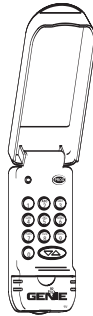
Universal Wall Button



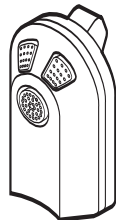
2-Button Remote Control with CodeDodger®



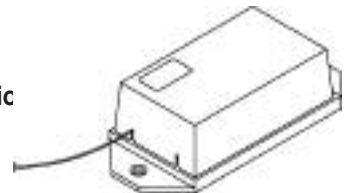
Wireless Keypad Entry System



3-Button Remote Control with CodeDodger®



Universal Converter



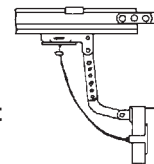
3-Button Mini Remote Control with CodeDodger®



60 WATT Light Bulb



Emergency Release Kit



OverHead Door Corp
22790 Lake Park Blvd.
Alliance, Ohio 44601

Call: 1.800.929.3667
Web: www.overheaddoor.com



For Answers and Assistance:
1.800.929.3667
or visit www.overheaddoor.com

SAVE THIS MANUAL FOR FUTURE REFERENCE