

OVERHEAD DOOR[®]

python²

GARAGE DOOR OPENER

Series OCG

*Includes CODEDODGER[®] Remote Control
and SERIES II Electronics*

Included Wall Control MUST be installed prior to operation of this Garage Door Operator

Safe-T-Beam[®] Safety Reverse System Must be installed to close door

NOTE: Your Operator comes with a Rail Assembly which is standard for up to a 7 foot 6 inch high door. An extension kit for an 8 foot high door is available.

For Answers and Assistance:

1.800.929.3667

or visit www.overheaddoor.com

SAVE THIS MANUAL FOR FUTURE REFERENCE

Things to consider if you are planning to “do-it-yourself.”

In many cases you will be replacing an existing door operator with a new one, however, if this will be the first operator installed there are some pre-installation issues which need to be addressed. They are as follows:

The Overhead Door Corporation recommends that you read and fully understand all information and instructions contained herein before choosing a “Do-it-yourself” installation. Any questions should be directed to Overhead Door Corp. or an authorized Overhead Door Dealer.

(The issue numbers below refer to the circled numbers in the illustrations on page 3.)

- 1** Check your ceiling where the power head of your new unit will be mounted. Plan how you will be mounting the power head. It is possible that ceiling joists may not be in the exact position needed with respect to the garage door operator. In any case, it may be necessary to add an additional bracket and fasteners (not included with your new door operator kit).
- 2** Check the wall directly above the garage door. The door operator’s header bracket must be securely fastened to this wall. Insure that the structure will provide a strong mounting location.
- 3** Check to see if the mounting location for the Safe-T-Beam® System “STB” is clear from obstruction and has a wood surface available for attaching the “STB” brackets. The brackets may also be attached to concrete if necessary but extra tools and special fasteners (not supplied) will be required.
NOTE: 1-1/2" “STB” bracket adapters are available through your local Overhead door Dealer.
- 4** Is your garage door made of light-weight steel, aluminum, fiberglass or glass panels? Additional support bracing must be added to these type doors. If this is the case, please contact the door distributor or manufacturer so that they can furnish you with a “bracing kit.”
- 5** You need a 110-120 Volt power supply available. If you plan to plug the unit into a standard electrical outlet, is one available? The outlet should be no more than about 3 feet from the power head once it is mounted. (The cord is 4 ft. in length.) SEE WARNING BELOW.
- 6** To avoid damage to your door and/or operator, make sure you disable any door locks prior to installing your operator.
- 7** Insure that your door is properly balanced and moving freely. SEE WARNING BELOW.
- 8** (NOT SHOWN) If your garage does not have a separate entry door, you might want to consider an emergency release kit (GER-2) for installation on your garage door. See page A at the center of this manual.

WARNING

DO NOT USE EXTENSION CORD!
Extension cords can cause dangerous overheating conditions.
DO NOT USE PORTABLE GENERATOR!
This product is designed to operate on standard house current. Do not use alternate power supplies.

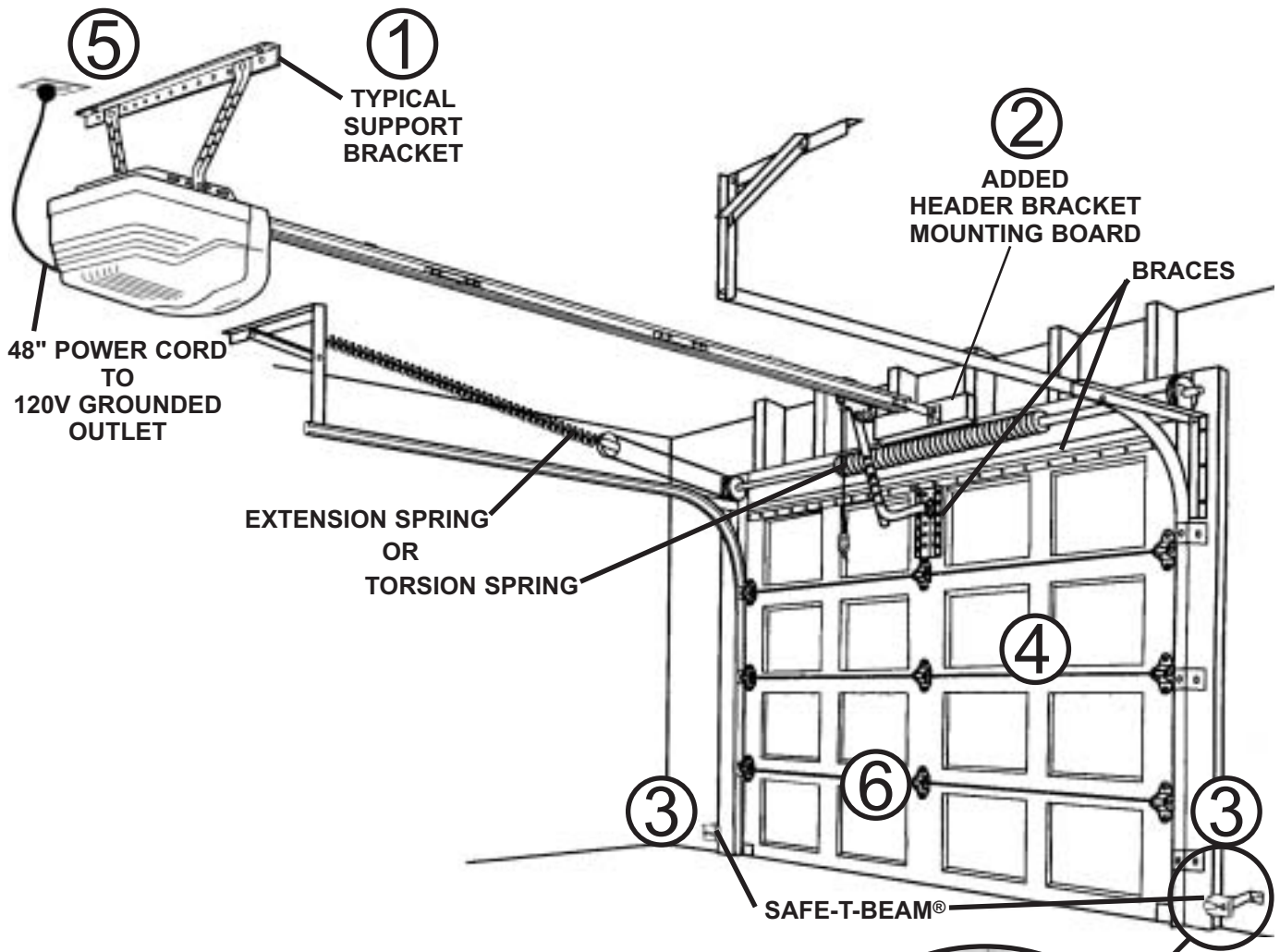
WARNING

If your door sticks, binds, or is out of balance, have it adjusted by a professional. Door springs, cables, pulleys, brackets and associated hardware are under extreme tension and can cause serious injury or death.

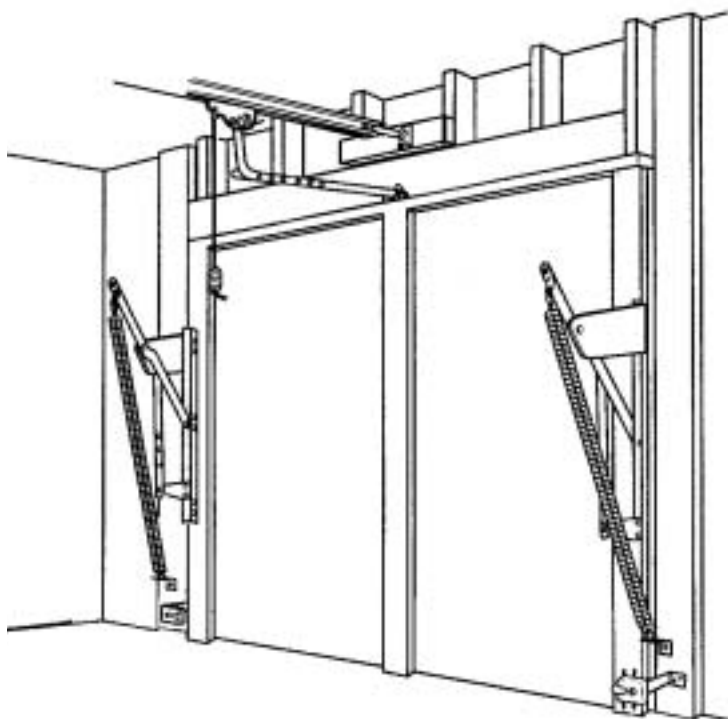
TYPICAL SECTIONAL DOOR INSTALLATION

FOR HELP-1.800.929.3667 OR OVERHEADDOOR.COM

3



TYPICAL 1-PIECE DOOR INSTALLATION



⑦

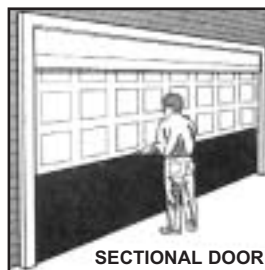


TABLE OF CONTENTS

SECTION	PAGE
PRE-INSTALLATION CHECKS	2-3
OPERATOR FEATURES.....	4
SAFETY FEATURES.....	4
TOOLS RECOMMENDED.....	5
PARTS IDENTIFICATION	5-7
SAFETY INFORMATION.....	7
OPERATOR	
1 ASSEMBLY.....	8-10
2 INSTALLATION.....	11-14
ELECTRICAL INSTALLATION.....	15-18
3 SAFE-T-BEAM® SYSTEM INSTALLATION	15-16
4 WALL CONTROL INSTALLATION.....	17
5 CONNECT OPERATOR TO POWER.....	18
ADJUSTMENTS.....	19-21
6 LIMIT SWITCHES & FORCE ADJUSTMENT	19.
CONTACT REVERSE.....	20
7 PROGRAMMING REMOTE CONTROLS	20-21
8 BATTERY/VISOR CLIP INSTALLATION.....	21
9 LIGHT BULB AND LENS INSTALLATION.....	21
SAFETY INSTRUCTIONS.....	22
MAINTENANCE & TROUBLESHOOTING	22-24
SAFE-T-BEAM®	22
OPERATOR/RADIO	23
WIRING DIAGRAM	24
WARRANTY	26
ACCESSORIES.....	A

OPERATOR FEATURES

CODEDODGER® Rolling Code Security System.

An electronic rolling code system that enhances the security of the door operator by continuously changing the access code each time the remote control is used. The door operator responds to each new code only once. An access code copied from a working system and tried again will not control the door operator.

CODEDODGER® 1, 2 or 3-Button Remote Control (included with some models).

Operates 1, 2 or 3 garage doors from car.

Lighted Wall Button*.

Operates door operator from inside garage.

Lighted Wall Console* (included with some models).

Security vacation lock switch disables all controls. LED Indicator shows whether system is locked or unlocked. Makes console easy to find in dark. Controls door operator from inside garage. Independent light control allows convenient manual control of the automatic lighting system.

NOTE: Your garage door operator may not come with all above items included as standard equipment.

SAFETY FEATURES

Safe-T-Beam® (STB) Non-Contact Reversing System**.

Puts an invisible beam across the door opening. The door stops and reverses to the full open position if anything passes through the beam. Red and green LED indicators provide a self diagnostic code if an operational problem exists.

Safe-T-Reverse® Contact Reversing System.

Automatically stops and reverses a closing door within 2 seconds of contact with an object.

Safe-T-Stop® Timed Reversed System.

Automatically opens a closing door if it fails to close completely within 30 seconds.

Force Guard® Control.

Features adjustable open and close force settings. For maximum safety, these must be set to the minimum force required to fully open and close the door.

Relay Monitoring System.

Automatically stops and reverses a closing door if the closing relay malfunctions.

Watch Dog® Monitoring System.

Automatically stops and reverses a closing door if the Safe-T-Beam System** has an operational problem.

Automatic Lighting System.

One bulb lighting supplies up to 100 Watts of light for safer evening exits and entries. Turns on when door is activated and automatically turns off 5 minutes later.

Manual Emergency Release.

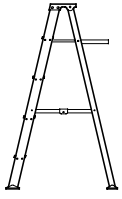
Manually releases door from door operator. Use during a power failure or other emergency to allow manual opening and closing of door.

***Operator MUST be installed with the included Wall Control.**

****Safe-T-Beam® Safety Reverse System MUST Be Installed To Close door.**

TOOLS RECOMMENDED

FOR HELP-1.800.929.3667 OR OVERHEADDOOR.COM



Step ladder



Drill



Ratchet



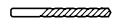
Pencil



Carpenter's level



Adjustable wrench



5/32" Drill Bit



7/16" and 9/16" Sockets



Tape measure


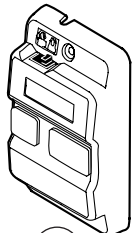
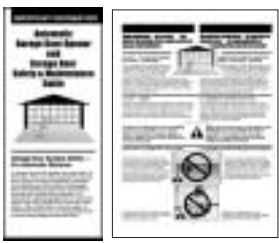
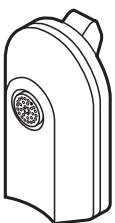
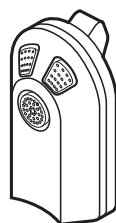
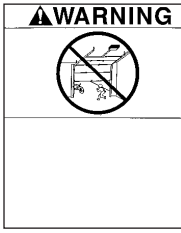

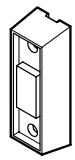
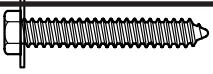
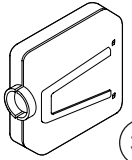
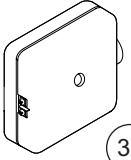
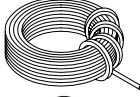
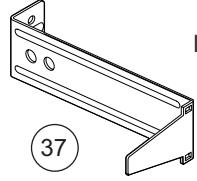
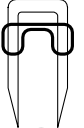


Phillips screwdriver

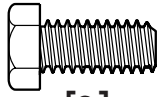

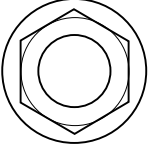
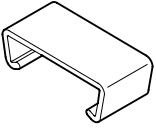



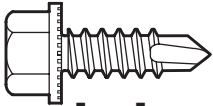
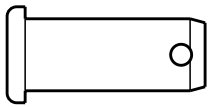
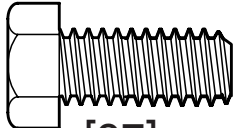
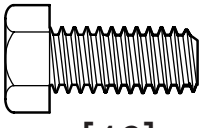
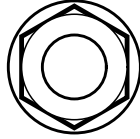


Wire strippers

PARTS IDENTIFICATION - Not Shown Full Size .

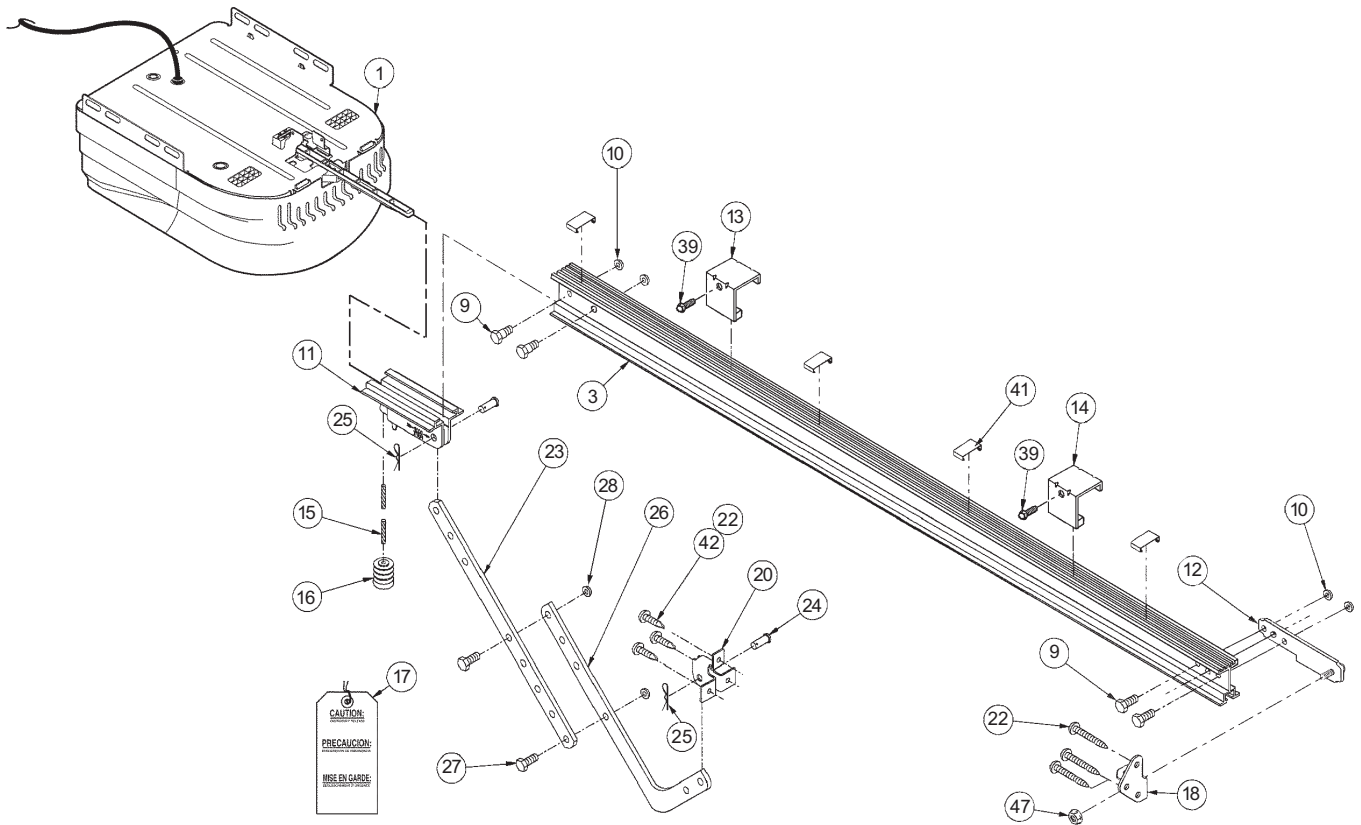
 <p>33 #6 x 1-1/4" Pan Head Phillips Screw</p>  <p>32 Wall console</p>	 <p>40 Safety Brochure</p>	 <p>OR</p>  <p>38 Single-button remote control Multi-button remote control</p>	 <p>34 Entrapment Warning Label</p>
 <p>33 #6 x 1-1/4" Pan Head Phillips Screw</p>  <p>31 Wall button</p>	 <p>44 #10"-16 x 1-1/4" Machine Screw</p>  <p>36 Source STB (Red LED)</p>  <p>35 Sensor STB (Green LED)</p>	 <p>29 Wire</p>  <p>37 STB Bracket</p>	 <p>30 Insulated Staple</p>

FASTENERS - Shown Full Size . See Parts List for description.

 <p>9 Bolt - 1/4"-20 x 5/8"</p>	 <p>22 Lag screw - 1/4" x 2"</p>	 <p>28 Nut - 3/8"-16</p>	 <p>41 Wire clip</p>
 <p>10 Nut - 1/4"-20</p>	 <p>25 Cotter pin</p>	 <p>39 Screw - #8-32 x 1"</p>	 <p>42 Self-drilling Screw 1/4"-20 x 3/4"</p>
 <p>24 Clevis pin</p>	 <p>27 Bolt - 3/8"-16 x 7/8"</p>	 <p>46 Bolt - 5/16"-18 x 3/4"</p>	 <p>47 Nut - 5/16"-18</p>

[2]

6



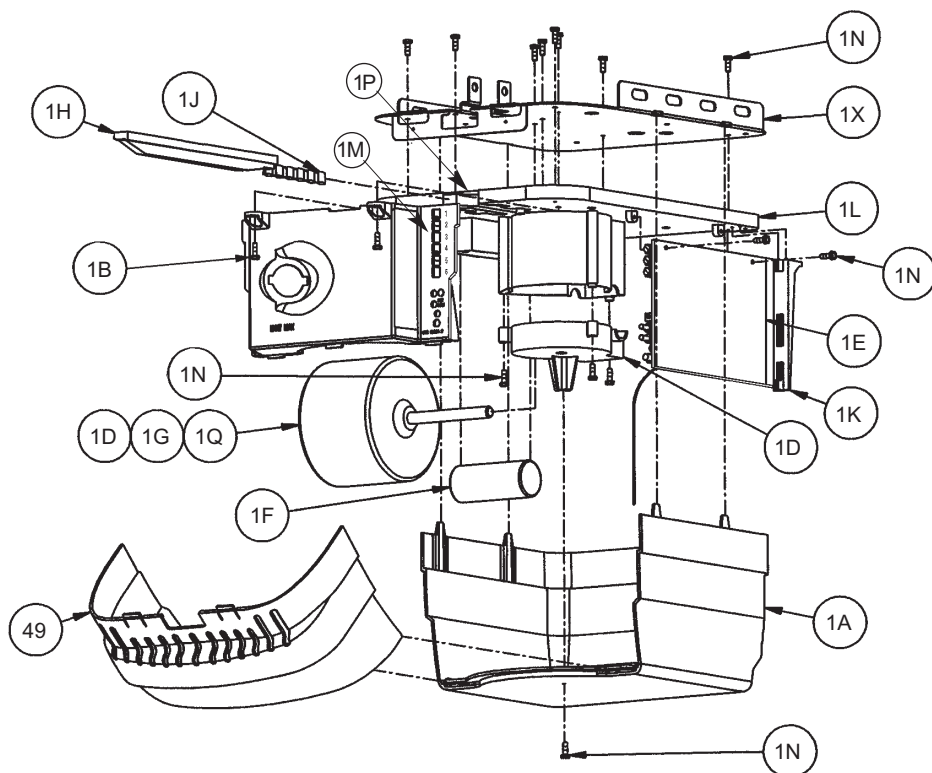
PARTS LIST

Item	Part Name	Number Required
1	Power head assembly (box)	1
2	Boom assembly (box)	1
3	Boom (box)	1
9	1/4"-20 x 5/8" hex head bolt (blue bag)	4
10	1/4"-20 hex flange nut (blue bag)	4
11	Carriage assembly (box)	1
12	Boom strap (blue bag)	1
13	Limit switch OPEN (white wire)(green bag)	1
14	Limit switch CLOSE (brown wire)(green bag)	1
15	Release cord (green bag)	1
16	Release knob (green bag)	1
17	Emergency release tag (green bag)	1
18	Header bracket (orange bag)	1
20	Door bracket (orange bag)	1
22	1/4" x 2" lag screw (orange bag)	8
23	Straight door arm (box)	1
24	Clevis pin (yellow bag)	2
25	Cotter pin (yellow bag)	2
26	Curved door arm (box)	1
27	3/8"-16 x 7/8" hex head bolt (yellow bag)	2

Item	Part Name	Number Required
28	3/8"-16 hex flange nut (yellow bag)	2
29	Wire (box)	1
30	Insulated staple (red bag)	varies/model
31	Wall button (red bag)	varies/model
32	Wall console (box)	varies/model
33	No. 6 x 1-1/4" flat head phillips screw (red bag)	varies/model
34	Entrapment WARNING label (manual)	1
35	Safe-T-Beam (STB) sensor (green LED)(box)	1
36	Safe-T-Beam (STB) source (red LED)(box)	1
37	Safe-T-Beam (STB) bracket (yellow bag)	1
38	Remote operator (box)	varies/model
39	#8-32 x 1" machine screw (green bag)	2
40	Safety & maintenance guide (manual)	1
41	Wire clip (wide)(green bag)	varies/model
42	1/4"-20 x 3/4" self-drilling screw (orange bag)	3
44	#10-16 x 1-1/4" phillips hex head screw (yellow bag)	4
46	5/16"-18 x 3/4" hex head bolt (orange bag)	3
47	5/16"-18 hex flange nut (orange bag)	4

POWER HEAD EXPLODED VIEW

[1] Power Head Assembly



POWER HEAD PARTS LIST (pre-assembled)

Item	Part Name
1	Power head assembly
1A	Cover (by series/model)
1B	Front panel assembly
1D	Motor parts
1E	Circuit board assembly
1F	Capacitor (by series/model)
1G	Opto wheel (not shown)
1H	Carriage slide
1J	Chain
1K	Circuit board bracket
1L	Drive module
1M	Terminal strip
1N	No. 8 x 3/4" hex washer head screw
1P	Shock absorption stop (not shown)
1Q	Motor mount bracket (not shown)
1X	Chassis
49	Lens

SAFETY INFORMATION




OVERVIEW OF POTENTIAL HAZARDS

Garage doors are large, heavy objects that move with the help of springs under high tension and electric motors. Since moving objects, springs under tension, and electric motors can cause injuries, your safety and the safety of others depend on you reading the information in this manual. If you have questions or do not understand the information presented, call your nearest service representative. If you have questions or do not understand the information presented, contact Overhead Door Corp. or an authorized Overhead Door Dealer.

In this section and those that follow, the words **Danger**, **Warning**, and **Caution** are used to emphasize important safety information. The word:

- ⚠ DANGER** means that severe injury or death will result from failure to follow instructions.
- ⚠ WARNING** means that severe injury or death can result from failure to follow instructions.
- ⚠ CAUTION** means that property damage or injury can result from failure to follow instructions.

The word **NOTE** is used to indicate important steps to be followed or important considerations.

POTENTIAL HAZARD	EFFECT	PREVENTION
 MOVING DOOR	WARNING: Can Cause Serious Injury or Death	Keep people clear of opening while door is moving. Do Not allow children to play with the door operator. Do Not operate a door that jams or one that has a broken spring.
 ELECTRICAL SHOCK	WARNING: Can Cause Serious Injury or Death	Turn off power before removing operator cover. When replacing cover, make sure wires are not pinched or near moving parts. Operator must be properly grounded.
 HIGH SPRING TENSION	WARNING: Can Cause Serious Injury or Death	Do Not try to remove, repair or adjust springs or anything to which door spring parts are fastened, such as, wood blocks, steel brackets, cables or other like items. Repairs and adjustments must be made by a trained service person using proper tools and instructions.

1 OPERATOR ASSEMBLY

FOR HELP-1.800.929.3667 OR OVERHEADDOOR.COM

BOOM ASSEMBLY: Use a clean, flat surface.

8

⚠ CAUTION

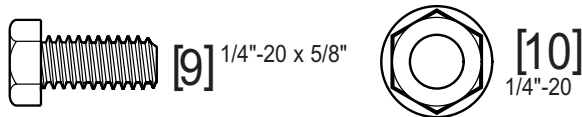
Drive chain can slide out of booms. **Do not** run until operator is fully assembled.

NOTE: Boom assemblies are for 7 foot 6 inch high door. An extension kit for an 8 foot high door is available.

OPEN BLUE PARTS BAG

1. Attach boom strap (Fig. 1-1).

- Place boom strap against boom so that projection on strap mates with second hole from end of boom.
 - Place 2 bolts (9) through boom strap and boom.
 - Ignore fourth hole. (See NOTE)
 - Securely tighten bolts and nuts (10).



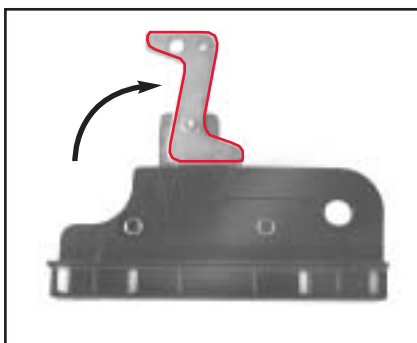
NOTE: Your boom has 4 holes in the boom strap end. The hole furthest away from the end is for an extension kit if needed.

⚠ CAUTION

Make sure that the carriage magnet is in place in the top of the carriage slide.

2. Slip carriage into carriage slot of boom.

- Flip the boom assembly up-side down.
- Place emergency release lever in "release" position (See below).
 - Check arrow on the side of carriage points toward **door end** of boom.
 - Slide carriage into boom at **power head end** (Fig. 1-2).
 - Flip boom assembly right-side up.



Lever in release position.



FIG. 1-1 Attach boom strap.

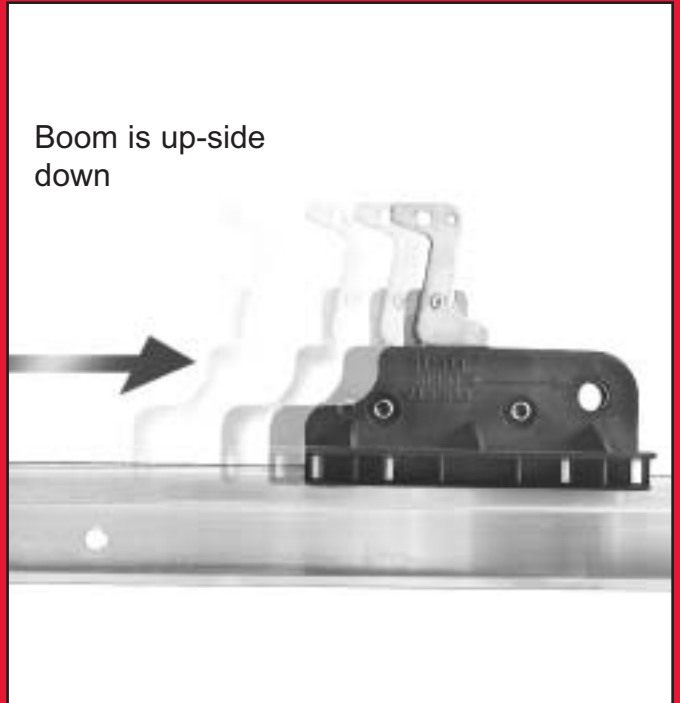


FIG. 1-2 Align arrow.

3. Attach boom to power head.

- Place boom in front of power head with boom strap at opposite end.
- Support door end of boom (boom strap) at about same height as power head.
 - Check if magnet is in place (**Fig. 1-3 inset**). Insert carriage slide into boom (**Fig. 1-3**). (*Carriage slide is long straight piece attached to chain.*)
 - Pull boom toward you as you feed chain into it. (**Fig. 1-3**). When the end of the boom is within about 2 chain links of the power head, you can then push it the rest of the way. (It is a snug fit.)
 - Securely fasten with 2 bolts (9) and nuts (10) (**Fig. 1-4**).

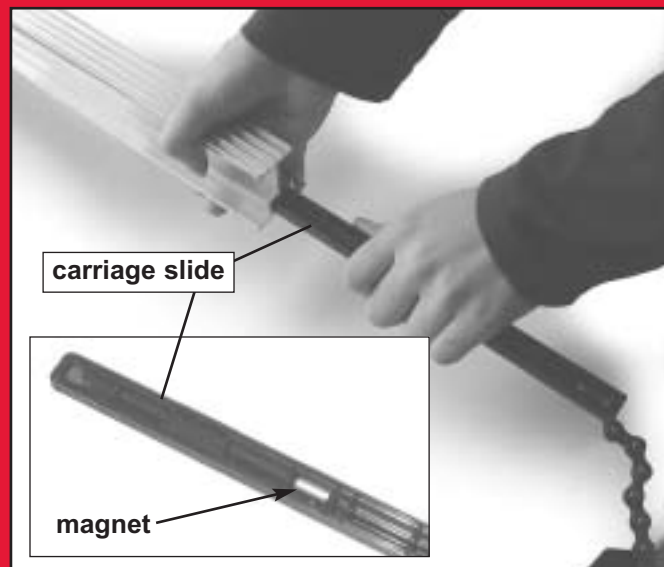
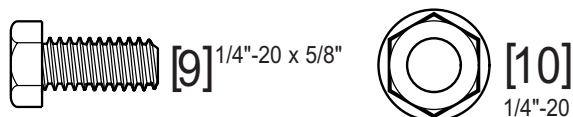


FIG. 1-3 Slip carriage slide into boom.

OPEN GREEN PARTS BAG

4. Attach emergency release cord, knob and tag.

- Tie overhand knot in 1 end of cord. Tighten knot. (**FIG. 1-5 inset A**).
 - Slip opposite (no knot) end through knob.
 - Slip through hole in emergency release lever (**Fig. 1-5**).
 - Tie overhand knot in this end also. Tighten knot.

5. Attach emergency release tag.

- Attach to hole in emergency release using metal twist tie on tag. (**Fig. 1-5 inset B**).

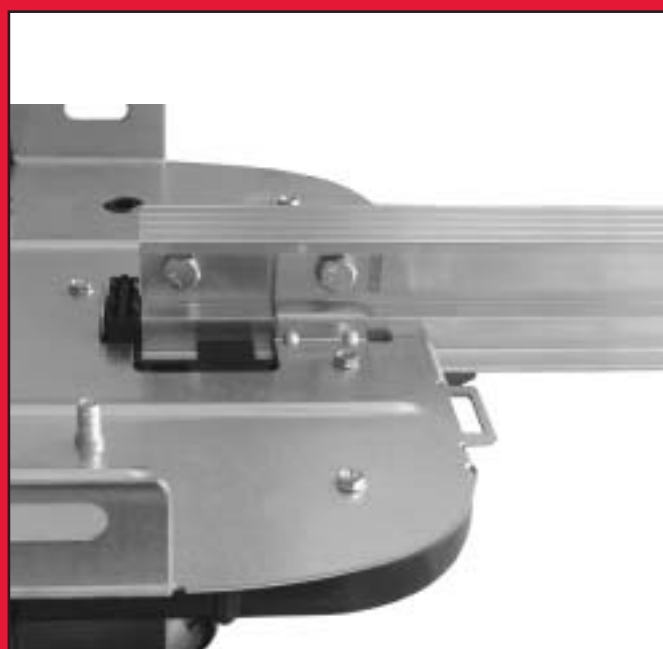


FIG. 1-4 Attach boom to power head.

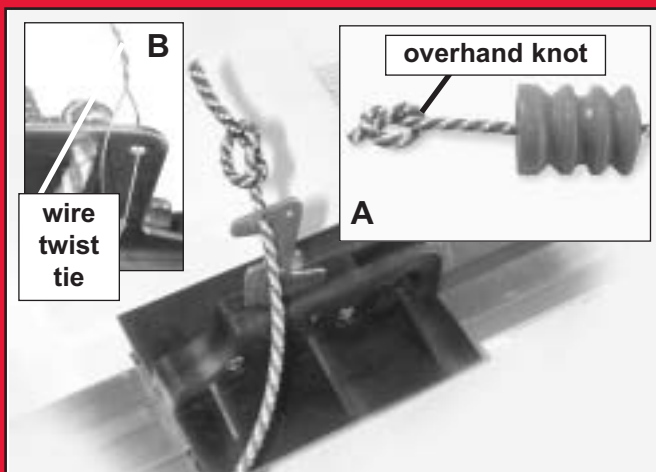


FIG. 1-5 Attach emergency release cord & tag.

6. Attach limit switches.

2 switches included, "CLOSE" limit switch (brown wire) and "OPEN" limit switch (white wire) (Fig. 1-6).

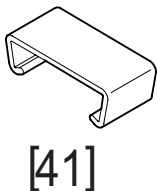
- Turn set screws (39) into threaded holes, just enough so screw stays in place. (Fig. 1-6).



- Point arrow on top "CLOSE" limit switch toward door end of boom.
 - Place "CLOSE" limit switch (Brown wire) on boom about 12" from boom strap (Fig. 1-7).
 - Gently tighten set screw enough to keep switch from moving.
- Point arrow on top "OPEN" limit switch toward door end of boom.
 - Place "OPEN" limit switch (white wire) on boom **where chain attaches to carriage slide**. (Near the power head.)
 - Gently tighten set screw enough to keep switch from moving.

7. Attach limit switch wires.

- Uncoil limit switch wires.
 - Place into channels located along top of boom.
 - Run wires back to power head through hole in top of power head (Fig. 1-8).
 - Use wire clips to hold wires in place (Fig. 1-9).



- Attach limit switch wires to terminals on power head (Fig. 1-10).
 - White wire ("OPEN") to terminals #4 and #5.
 - Brown wire ("CLOSE") to terminals #5 and #6.
- Bundle extra wire and lay it on top of power head (Fig. 1-10 inset).



FIG. 1-6 Identify limit switches / insert set screws.

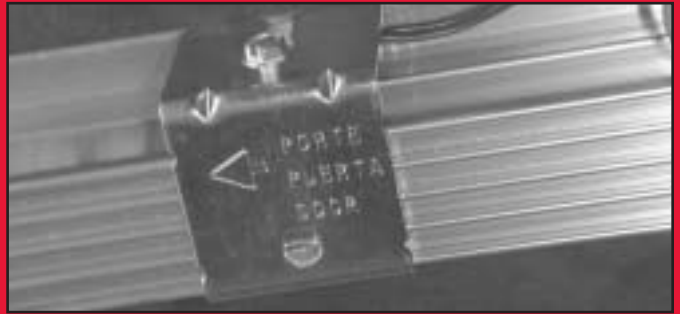


FIG. 1-7 Place limit switches.



FIG. 1-8 Run wire to power head.

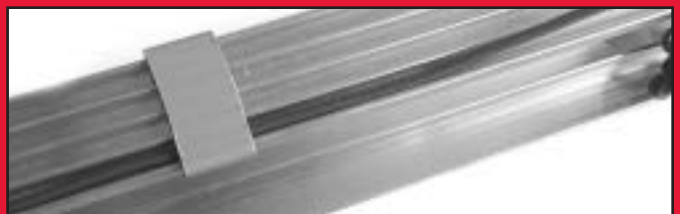


FIG. 1-9 Wire clips.

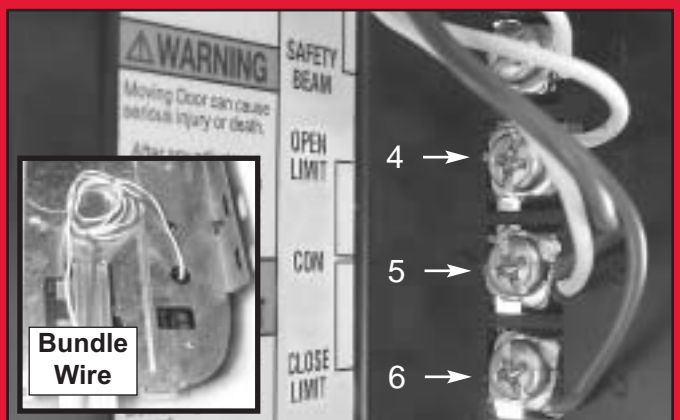


FIG. 1-10 Attach wire at power head terminals.

IMPORTANT

⚠ WARNING :

To reduce the risk of severe injury or death:

1. READ AND FOLLOW ALL SAFETY, INSTALLATION AND OPERATION INSTRUCTIONS. If you have questions or do not understand an instruction, call Overhead Door Corp. or an authorized Overhead Door Dealer.
2. **Do Not** install operator on an improperly balanced door. An improperly balanced door could cause severe injury. Repairs and adjustments to cables, spring assembly, and other hardware must be made by a trained service person using proper tools and instructions.
3. Remove all ropes and disable all locks connected to the door before installing operator.
4. Install door operator 7 feet or more above floor. Mount emergency release knob 6 feet above floor.
5. **Do Not** connect the operator to the source of power until instructed to do so.
6. Locate the control button:
 - Within sight of door.
 - At minimum height of 5 feet, so small children cannot reach it.
 - Away from all moving parts of the door.
7. Install the Entrapment WARNING Label next to the wall button or wall console. Install the emergency release tag on, or next to, the emergency release.
8. The operator must reverse when the door contacts a 1-1/2 inch high object on the floor at the center of the doorway. This is the size of a 2" x 4" board laid flat.

HEADER AND DOOR MOUNTING BRACKETS:

⚠ CAUTION

Header bracket must be fastened to garage framing. **Do Not** fasten to drywall, particle board, plaster or other such materials.

1. Finding header bracket mounting location.

- Close garage door.
 - Use a pencil.
 - Mark center of garage door (*one-half overall width*) with 6" vertical line at top edge of door.
 - Continue this line on wall above door for about 12" (**Fig. 2-1**).
- Raise garage door until top edge of door reaches its maximum height (**Fig. 2-2**).
- Place door at highest point.
 - Measure height from top edge of door to floor.
- Close door again.
- Mark height measurement on wall above door.
 - Make your mark across vertical line made earlier.

• Marking final height:

The 2 basic types of garage door mechanisms are: **Track guided doors**—have rollers on each side which ride in "tracks" to guide the door up and down.

Trackless doors—swivel on large spring loaded hinges as the door opens and closes.

For **track guided** – add 2-1/2" to height mark just made on wall. This is location for header bracket.

NOTE: If spring or its shaft is in way, measure 2-1/2" above spring or shaft and mark this height as your location for header bracket.

For **trackless** – add 6"- 12" to your height mark just made on the wall. This is location for header bracket.



FIG. 2-1 Finding highest point of travel (sectional).

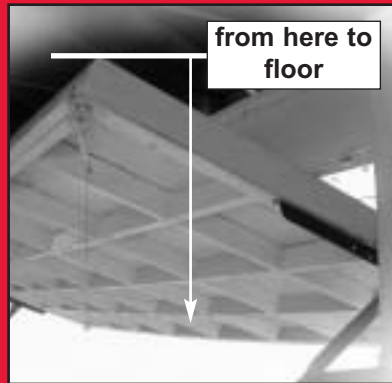
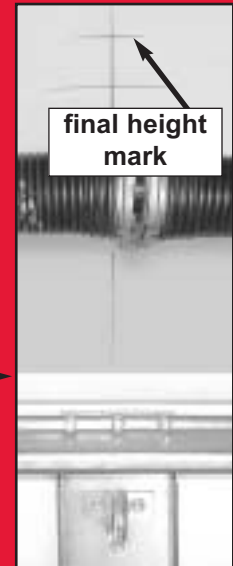


FIG. 2-2 Finding highest point of travel (1-piece).



top of door

FIG. 2-3 Final height mark.

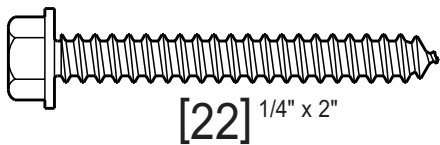
NOTE: If header bracket location needs to be above header for garage door opening, you need to add a "mounting surface." A 2" x 6" board securely attached (fasteners not included) across wall studs on either side of your mark is sufficient (Fig. 2-4).

OPEN ORANGE PARTS BAG

2. Mounting the header bracket.

NOTE: Although header bracket may be oriented several ways, method 1 is preferred if possible because of added strength over other methods (Fig. 2-5).

- Hold header bracket against wall (Fig. 2-5).
 - Place left edge on vertical line.
 - Bottom edge on final height line.
- Mark screw hole locations on wall.
- Drill 5/32" pilot holes at each screw hole mark.
 - Fasten header bracket with 3 lag screws (22) (Fig. 2-5).



DOOR BRACKET:

CAUTION

Doors made of masonite, lightweight wood, fiberglass, and sheet metal must be properly braced before mounting door operator. Contact door manufacturer or distributor for a bracing kit. The Overhead Door Corporation is not responsible for damage caused due to improperly braced door.(Fig. 2-6)

3. Finding door bracket mounting location.

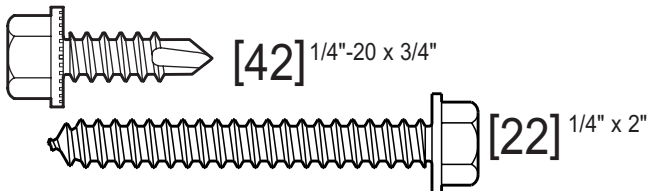
- Door bracket is mounted as high on door as possible along vertical centerline.

NOTE: In the case of sectional type doors, door bracket must be mounted NO LOWER THAN top set of rollers (Fig. 2-7).

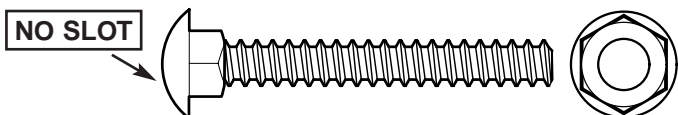
For 1-piece doors, door bracket must be mounted at top edge of door.

4. Mounting the door bracket.

- Proper bracing should be verified at this point.
 - Align door bracket centered on your vertical centerline.
 - Attach using 3 self-drilling screws (42).
 - Use lag screws (22) for **solid wooden doors**.



NOTE: For solid wood doors, carriage bolts WITHOUT SLOTTED HEADS (not included, but available by calling the Overhead Door help line) may be used for attaching door bracket.



Carriage bolt & nut.

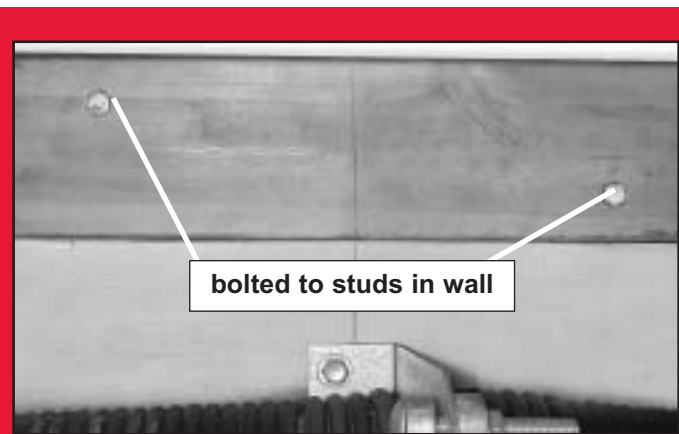


FIG. 2-4 Adding mounting surface.

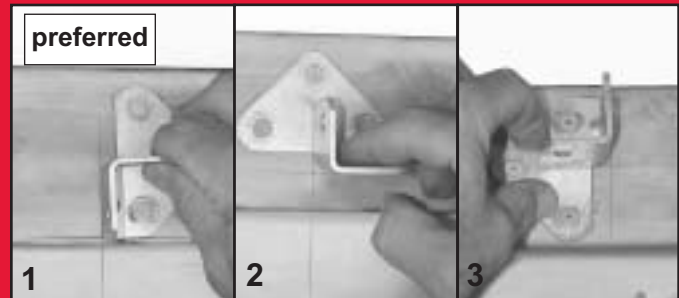


FIG. 2-5 Header bracket in place (3 methods).



FIG. 2-6 Examples of door bracing.

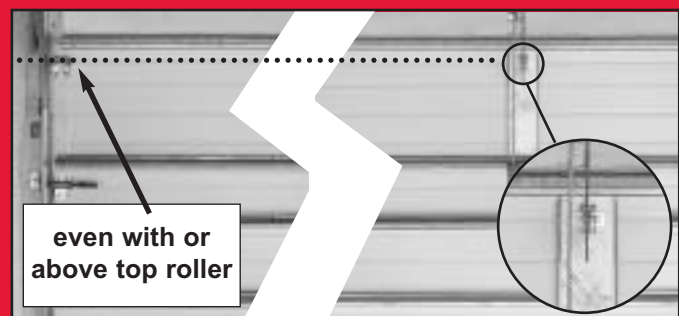


FIG. 2-7 Mounting door Bracket (sectional).



FIG. 2-7B Mounting door Bracket (one-piece).

MOUNTING THE OPERATOR:

1. Getting Started.

- Position boom/power head assembly (Fig. 2-7).
 - Boom strap leaning on wall next to header bracket.
 - Place material on floor under power head to protect from scratching. (A box, stool, or similar device may be needed to clear a torsion spring, as shown.)

2. Mounting the assembly.

- Attach boom strap to header bracket using nut (47) (Fig. 2-7 inset). FINGER TIGHT ONLY.



- Support power head on step-ladder.

NOTE: Before final attachment to ceiling, insure that assembly is in proper alignment (Fig. 2-9).

- Attach mounting straps to ceiling using lag bolts (22) (Fig. 2-10).
- Set height of power head according to following:
 - **Track guided doors.**
 - Boom must clear door at highest point of travel.
 - Be level or, power head slightly below level.
 - **Trackless doors.**
 - Boom must clear door at highest point of travel by 1" to 1-1/2".
- Securely tighten power head mounting bolts (46) and nuts (47).
- Lower door.
- Fully tighten boom strap nut.
- **DO NOT PLUG UNIT IN YET!**

3. Adjusting length of emergency release cord.

- Check release knob height.
 - Low enough you can reach it.
 - High enough to clear your vehicle, but **NO HIGHER THAN 6 FEET ABOVE FLOOR.**
- Tie a new overhand knot where desired.
 - Cut off any extra cord.

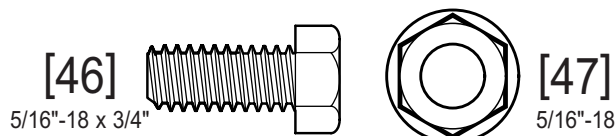
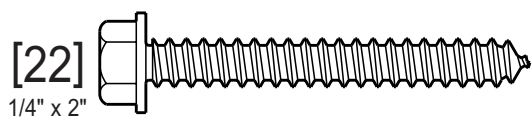


FIG. 2-7 Position assembly.

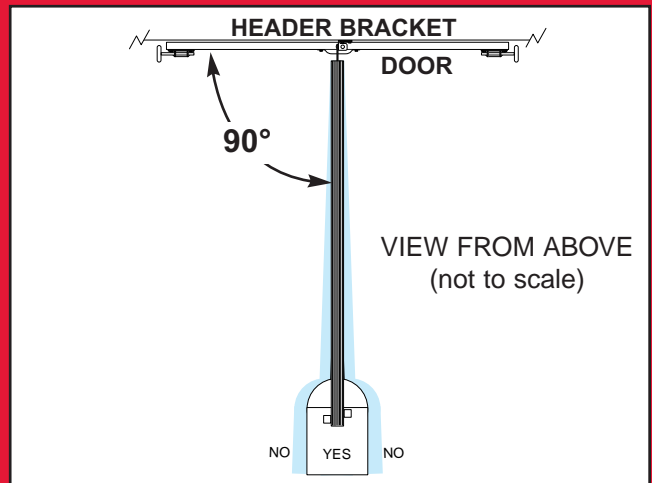


FIG. 2-9 Operator must be aligned.

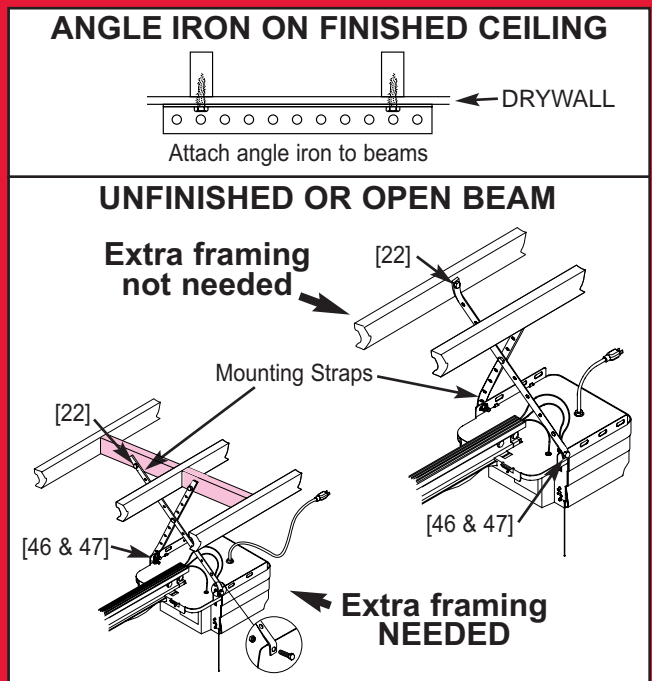


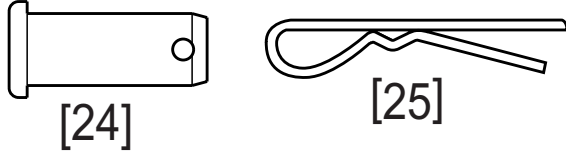
FIG. 2-10 Mounting the power head.

INSTALL DOOR ARMS: Sectional doors

OPEN YELLOW PARTS BAG

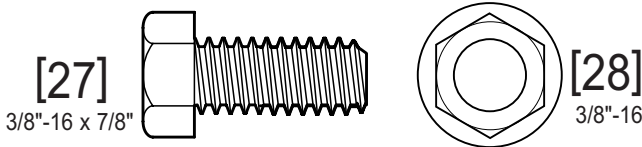
1. Attach the arms.

- Fasten curved door arm to door bracket using clevis pin (24) and cotter pin (25) (**Fig. 2-10**).
- Straight arm to carriage using clevis pin (24) and cotter pin (25) (**Fig. 2-10**).



2. Connecting the arms.

- Slide carriage back and forth to adjust arm length.
 - **Overlap** arms as **much** as possible.
 - Make overall **length** as **short** as possible.
- Fasten arms together using 2 bolts (27) and nuts (28) (**Fig. 2-10**). (*Place the bolts as far apart as possible.*)



NOTE: Whenever possible, it is recommended that the door arms assembly be angled away from the door to prevent putting downward force on the door and door bracket. (**Fig. 2-11**).

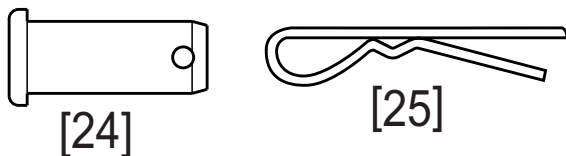
Additionally, where possible, the straight door arm may be eliminated.

INSTALL DOOR ARMS: 1-piece doors

OPEN YELLOW PARTS BAG

1. Attach the arms.

- Straight arm to door bracket using clevis pin (24) & cotter pin (25) (**Fig. 2-12**).
- Curved arm to carriage using clevis pin (24) & cotter pin (25) (**Fig. 2-12**).



2. Connecting the arms.

- Slide carriage back and forth to adjust arm length.
 - **Overlap** arms as **little** as possible.
 - Make overall **length** as **long** as possible.
- Fasten arms together using 2 bolts (27) and nuts (28) (**Fig. 2-12**).

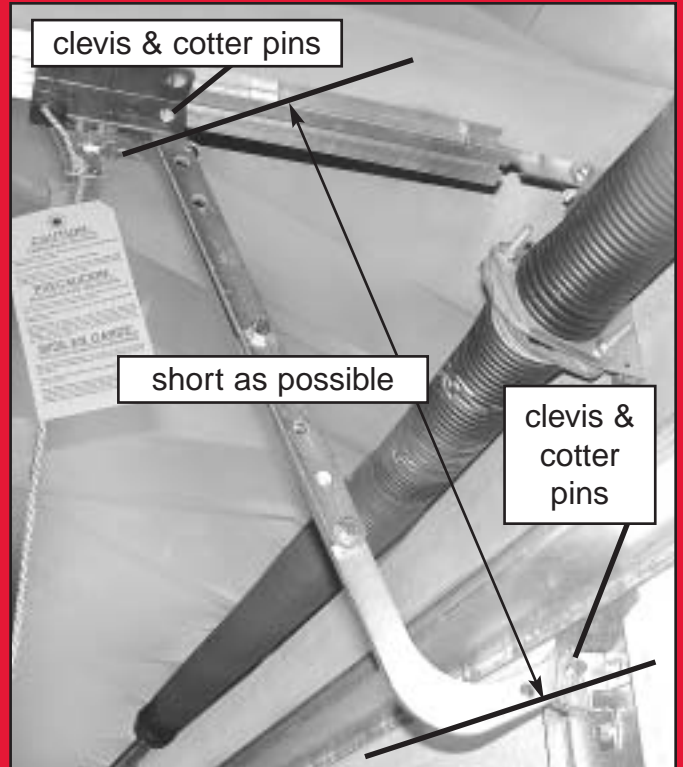
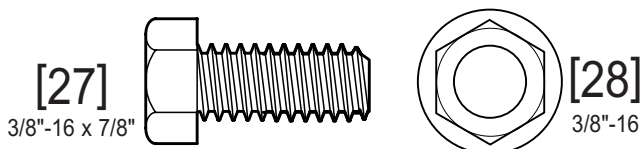


FIG. 2-10 Attaching door arms (sectional doors).

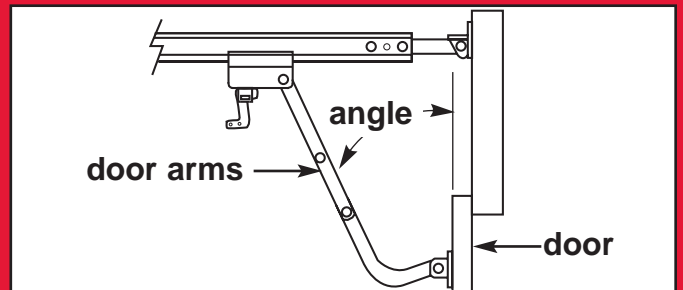


FIG. 2-11 Door arms at angle to door.

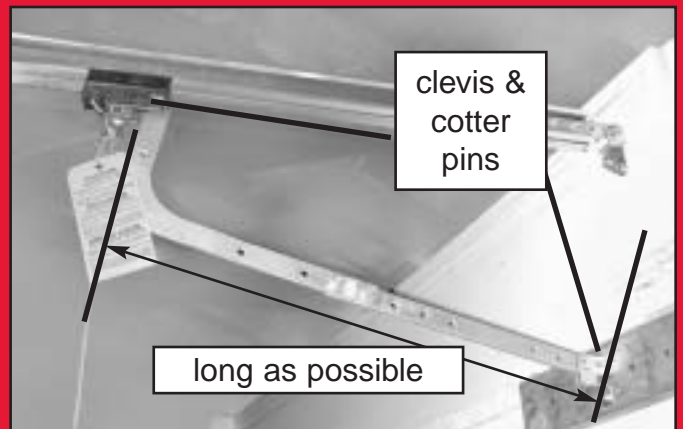


FIG. 2-12 Attaching door arms (one-piece doors).

REMINDER: If you have no other access to your garage from the outside other than your garage door, please consider a GER-2 emergency release kit shown on page A in center of manual. Call Customer Service at 1.800.929.3667, or visit www.overheaddoor.com.

⚠ WARNING

There should be no electrical power to the operator while installing Safe-T-Beam System® wires. If you have plugged in the power cord—UNPLUG IT NOW.

NOTE: The operator will not close the door automatically unless the Safe-T-Beam® System is installed.

1. Mounting brackets.

- Mark both sides of garage door frame or wall 5" above floor. (Fig. 3-1).
- Hold bracket against door frame or wall.
 - Check brackets extend out from wall far enough that tongue of bracket is beyond door, tracks or any door hardware.
 - If not:
 - "STB" bracket extensions are available at local dealer.
 - Blocks of wood, etc. may be substituted for extensions.
- Center bracket on your mark (Fig. 3-2).
- Fasten each with 2 screws (44) (Fig. 3-2).



NOTE: Mounting brackets can be attached to the floor using concrete anchors (not provided).

2. Mounting "STB" source and sensor.

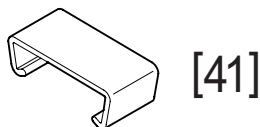
- If garage has only one garage door.
 - Determine which side of garage receives most direct sunlight (Fig. 3-4).
 - Red LED should always be on sunny side whenever possible (Fig. 3-4).
- For multiple doors.
 - Preventing crossed signals is critical.
 - Place source and sensor modules on adjacent doors facing in opposite directions (Fig. 3-4).

NOTE: To help prevent interference from sun, "STB" sensors (Green LED) may be placed further away from the door opening where they will spend more time in shadows.

- Slide source/sensor onto tongue of bracket until it clicks into place (Fig. 3-3).

3. Wiring.

- Route wires (29) using either method shown (Fig. 3-5).
- Wires along boom are held in place with wire clips.



- Wires can be slipped under the wire clips already in place.



FIG. 3-1 Mark door frame.

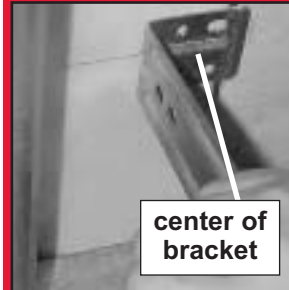


FIG. 3-2 Mount brackets.



FIG. 3-3 Attaching "STB's" to brackets.

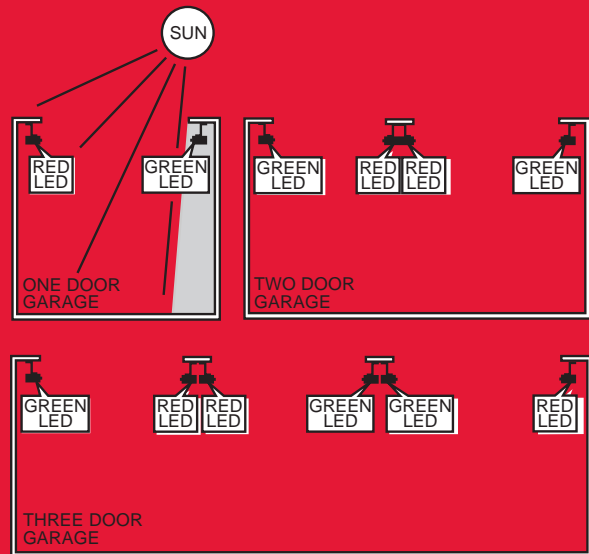


FIG. 3-4 "STB" locations.

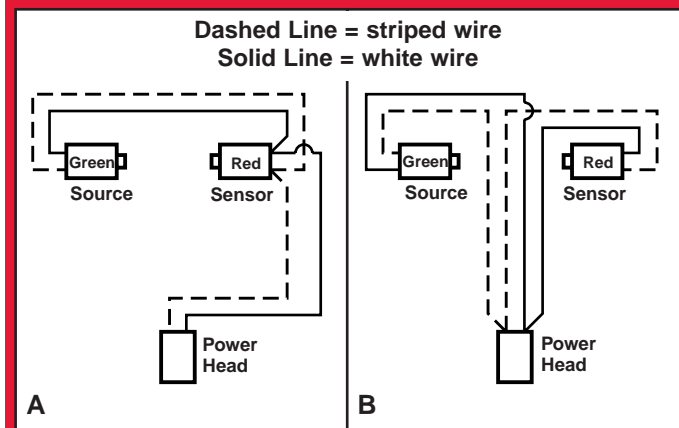


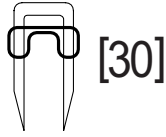
FIG. 3-5 "STB" wiring methods.

OPEN RED PARTS BAG

3. Wiring (cont').

- Securely fasten wires to wall as you go.
 - Use insulated staples (included).

16



- Staples should be snug only.

⚠ CAUTION

Staples which are too tight can cut or pinch wires. Cut or pinched wires can cause the “STB” System to stop working. When using the insulated staples, make sure you fasten them only as tightly as needed to hold the wire snugly.

- Make wire attachments at “STB’s.”
 - Splitting and stripping wire ends to be connected as shown (Fig. 3-6).
 - Loosen terminal screws.
 - Insert wire under flat plate and tighten screw. It does not matter which wire, white or striped, goes on which terminal (Fig. 3-7).
- Make wire attachments at power head.
 - “STB’s” are connected to terminals #2 and #3 on power head (Fig. 3-8).

4. Check the following.

- Insure that no part of door or its hardware is in path between lenses of **source** and **sensor**.
- Insure that tops of lenses are between 5"-6" above the floor (Fig. 3-9). The brackets are flexible, and can be adjusted slightly if needed.

NOTE: “STB” alignment check must be performed following connection to electrical power (see page 18). **DO NOT PLUG IN YET!**



FIG. 3-6 Splitting and stripping.



FIG. 3-7 Terminal attachments at STB.

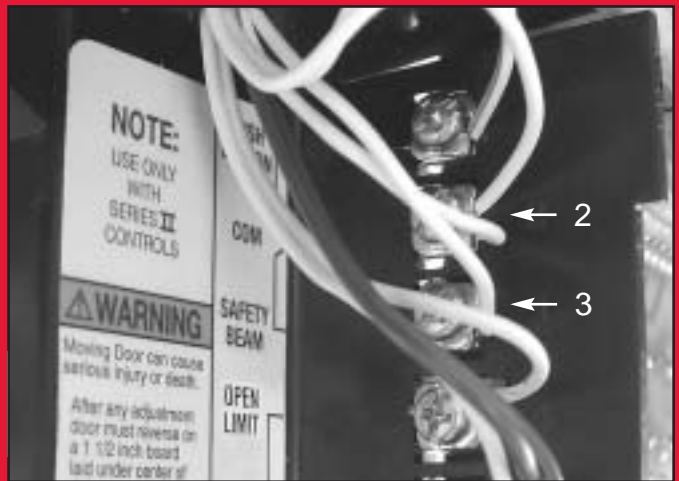


FIG. 3-8 Terminal attachments at power head.

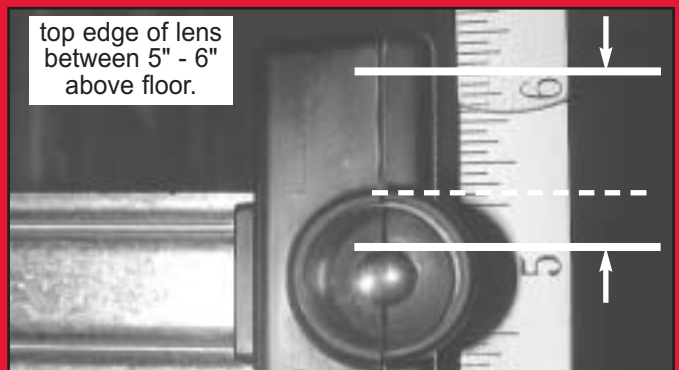


FIG. 3-9 Check lens height.

⚠ WARNING

Verify there is no power to the operator before installing wall control wires.

⚠ CAUTION

Use of any wall control other than the type supplied will prevent the light from working and could cause the door to operate on its own.
Cut or pinched wires can cause the wall control to stop working. When using the insulated staples, make sure you only pound them in as far as needed to hold the wire snugly.

1. Finding the mounting location.

- Pick a convenient location for mounting wall control.
 - Location you choose should be in direct sight of door.
 - It should be at least 5' above floor to prevent small children from operating door.
 - It must be away from any moving parts. (You should not be able to reach the door while standing at wall control.)

2. Wiring.

- Run wire from power head to wall control.
- Securely fasten to ceiling using insulated staples provided.
- Split and strip ends of wire (Fig. 4-5).
- On power head:
 - Attach the **striped wire to terminal #1** and **white wire to terminal #2** (Fig. 5-1).
- On back of wall control:
 - Attach **striped wire to terminal "B"**, and **white wire to terminal "W."** (Fig. 5-2).

3. Mounting.

- Fasten wall control to wall with 2 screws (either wall button or console use 33) (Fig. 5-3).



- Remove protective backing from "entrapment" warning label (Fig. 5-4).
 - Stick label on wall near wall control.

NOTE: Additional wall controls are available from your dealer. **ONLY ONE OF YOUR WALL CONTROLS MAY BE THE LIGHTED TYPE.** If you have a lighted wall control, all your additional controls must be un-lighted. More than one lighted wall control per operator will cause a malfunction.



FIG. 5-1 Terminal attachments at power head.

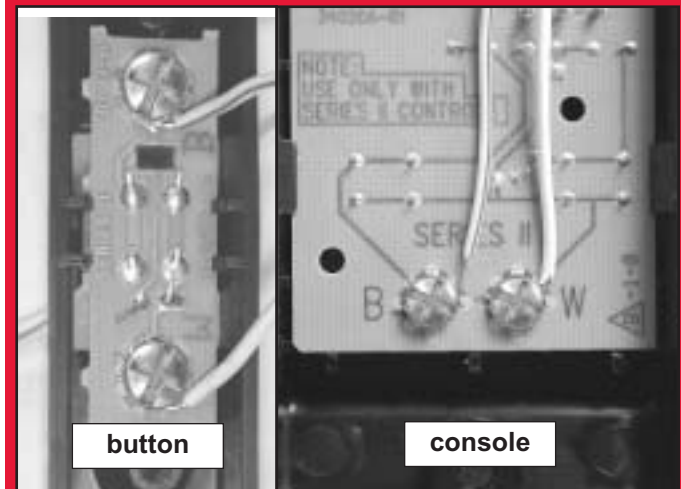


FIG. 5-2 Wall control wire attachment.



FIG. 5-3 Mounting wall control.



FIG. 5-4 Entrapment warning label.

WITH GROUNDED PLUG:

⚠ WARNING

To reduce the risk of electrical shock, this equipment has a grounded type plug that includes a third (*grounding*) pin. This plug will only fit a grounded type outlet. If you do not have a grounded outlet, contact a qualified electrician to install one. DO NOT alter the plug in any way. The door operator must be properly grounded in order to prevent personal injury and damage to the components.

⚠ CAUTION

Check local building codes to make sure that you are not required to have your garage door operator permanently wired, with circuit breaker protection. If permanent wiring is required, have this installed by a qualified electrician.

1. Plug the operator into a properly grounded electrical outlet.
2. Check Safe-T-Beam® alignment (Fig. 6-3).

WITH PERMANENT WIRING:

⚠ WARNING

The electrical power to the door operator **MUST BE** turned off when the motor cover is removed. Electrical power must remain off while making electrical connections.

1. Instructions for electrician.
 - Remove power from circuit.
 - Remove motor cover (Fig. 6-1).
 - Removing hex head screw located in center on bottom of cover.
 - Slide cover down and off.
 - Remove and throw away existing power cord.
 - Remove 7/8" knockout plug (Fig. 6-2).
 - Install a suitable entrance bushing.
 - Connect permanent wiring to power head.
 - **White to white/black to black/ground to green**
 - Use only UL recognized wire nuts.
 - Wires inside power head must be at least 6" in length.

⚠ CAUTION

The circuit board is light sensitive. Make sure the motor cover has been replaced prior to re-energizing the circuit.

- Replace motor cover, and re-energize the circuit.
2. Check Safe-T-Beam® alignment (Fig. 6-3).

NOTE: The Overhead Door Corporation is not responsible for charges resulting from work performed by an independent electrician.

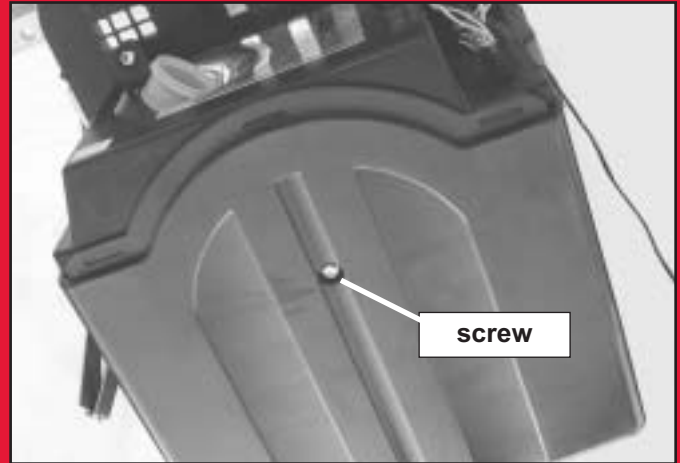


FIG. 6-1 Removing motor cover.

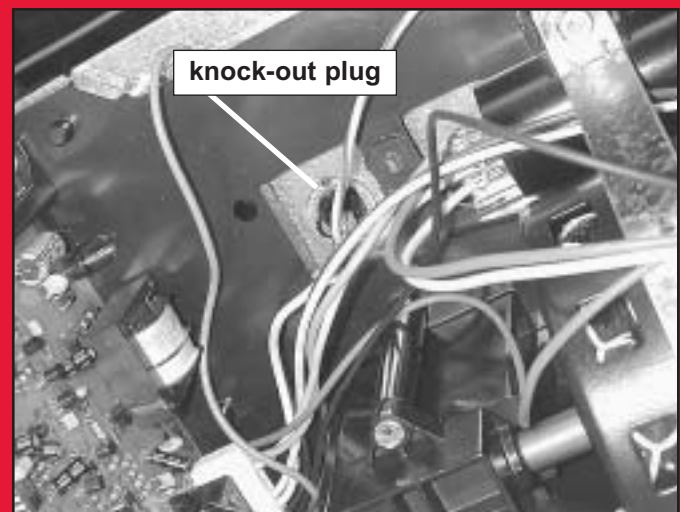


FIG. 6-2 Knock-out plug.

Safe-T-Beam® Alignment Check

After turning the electrical power on, if the STB's are not in proper alignment, the red LED (Source) will blink continuously.

To correct the problem — the brackets are flexible and can be adjusted slightly to bring the system into alignment.

When the STB's are in alignment the red LED will stop blinking and stay on.

FIG. 6-3

NOTE: If a problem exists with the "STB" that is preventing the door from closing, the door can be closed by holding the wall control button in until the door is fully closed. (The remote control will not work.)

⚠ WARNING

DOOR OPENS RAPIDLY.

Keep the path clear.

Position the ladder to the side of the power head so it is clear of all moving parts of the operator and door.

Always set the door operator to the minimum force required to operate the door.

NOTE: During operator cycling for force adjustment, the motor protector may shut off power to the operator. If this occurs, wait about 20 minutes to allow the motor protector to reset.

1. Adjusting limit switches.

- Locate force control knobs on power head (Fig. 7-1).
 - Gently turn both control knobs counter-clockwise until they stop.
- Verify emergency release lever in **disengaged** position.
- Verify **“OPEN”** limit switch at point where chain attaches to carriage slide (Fig. 7-2).
- Manually close door.
- Move the **“CLOSE”** limit switch:
 - Loosen set screw.
 - Slide limit switch along boom to align front edge of switch with back edge of carriage (Fig. 7-3).
 - Gently tighten set screw.
- Press wall control button.
 - Carriage slide will move toward power head and stop at the **“OPEN”** limit switch.
- Manually open door.
- Move the **“OPEN”** limit switch:
 - Loosen set screw.
 - Slide limit switch along boom to align front edge of switch with back edge of carriage (Fig. 7-4).
 - Gently tighten set screw.
 - Manually close door.
- Place emergency release lever in **engaged** position.
- Press wall control button.
 - Carriage slide will move toward door, engage with carriage and stop at **“CLOSE”** limit switch.

2. Adjusting “OPEN” force.

- Press wall control button.
 - Door should open and stop at **“OPEN”** limit.
- Door does not fully open.
 - Press wall control button.
 - Door should close and stop at **“CLOSE”** limit.
 - Turn **“OPEN”** force control knob slightly in clockwise direction.
 - Press wall control button.
 - Continue step 2 until door opens completely.

3. Adjusting “CLOSE” force.

- Door is not fully closing.
 - Cycle door, turning **“CLOSE”** force knob clockwise slightly each time until door reaches fully closed.



FIG. 7-1 Force adjustment screws.



FIG. 7-2 Place “Open” limit switch.



FIG. 7-3 Align “CLOSE” limit switch.



FIG. 7-4 Align “OPEN” limit switch.

CONTACT REVERSE TEST

The force adjustments and limit switch settings **MUST BE COMPLETED** before testing contact reverse.

1. Testing.

- Open garage door using wall control.
 - Place a 2" x 4" board (laid flat) under center of garage door opening (**Fig. 7-5**).
 - Close door using wall control.
- When door hits board, it must stop and reverse (within 2 seconds) to open position.

2. Adjustment.

- Door does not properly reverse.
 - Check to see if door is at "close" limit.
 - It should not have reached limit switch before hitting board.
- Door is at close limit switch.
 - Move limit switch closer to door.
- Test again. Repeat as necessary.
- Door is not reaching "close" limit, but still does not reverse:
 - Decrease "CLOSE FORCE" setting slightly (turn it counter-clockwise).
- Test again. Repeat as necessary.



FIG. 7-5 2 x 4 under center of door opening.

FCC and IC CERTIFIED

This device complies with FCC Part 15 and RSS 210 of Industry Canada. This equipment has been tested and found to comply with the limits for a Class B digital device, pursuant to Part 15 of the FCC Rules. These limits are designed to provide reasonable protection against harmful interference in a residential installation. This equipment generates, uses and can radiate radio frequency energy, and if not installed and used in accordance with the instructions may cause harmful interference to radio communications. However, there is no guarantee that interference will not occur in a particular installation. If this equipment does cause harmful interference to radio or television reception, which may be determined by turning the equipment off and on, the user is encouraged to try to correct the interference by one or more of the following measures:

Re-orient or relocate the receiver antenna.

Increase the separation between the operator and receiver.

Connect the operator into an outlet on a circuit different from that to which the receiver is connected.

Consult your local dealer.

7 PROGRAMMING REMOTE CONTROLS

SINGLE BUTTON REMOTE

1. Programming.

- Locate learn code button and indicator LED on front of power head (under force adjustment screws) (**Fig. 8-1**).
- Press and release learn code button.
 - Indicator LED will blink at a rate of twice per second.
- **Within 30 seconds**, push remote control button once.
 - Indicator LED will stop blinking and stay on.
- Press remote control button again.
 - LED will go out. Remote is now programmed.

2. Operating.

- Press remote button once.
 - Door will move.
- Press button again.
 - Door will stop.
- Press button again.
 - Door will move in opposite direction.

The door will stop automatically at the fully open or fully closed position.



FIG. 8-1 Learn code button and LED.

MULTI-BUTTON REMOTE

1. Programming.

NOTE: Each button on a multi-button remote is designed for use with 1 door. You cannot program 2 buttons to operate the same door, nor can you program 1 button to operate 2 doors.

- For each button.
 - Program each button separately.
 - Follow single button remote procedure (previous page) for each button.

2. Operating.

- Same as single button remote.

LOST OR STOLEN REMOTE

1. Clear memory.

- Press and hold learn code button (on power head) for 10 seconds or until Indicator LED goes out.
- Program remaining or new remote controls as done previously. *Your door operator will no longer recognize any signal received from the missing remote control, or any other which has not been reprogrammed.*

8 REMOTE CONTROL BATTERY REPLACEMENT AND VISOR CLIP INSTALLATION

1. Battery replacement.

- Use coin, ball-point pen or similar device.
 - Gently push straight in on battery cover lock tab as shown (Fig. 9-1).
- Flip open battery cover.
 - Remove old battery.
- Make sure new battery is facing proper direction (Match battery polarity with symbols inside battery cover) (fig. 9-2).
 - Recommended replacement battery is **Eveready A-23**, 12 volt.
- Slip new battery into place.
 - Snap battery cover shut.
- Operate remote to make sure it is working properly. (No re-programming is needed.)

2. Visor clip.

- Slide visor clip into back of remote control.
 - It will snap into place (Fig. 9-3).

9 LIGHT BULB/LENS INSTALLATION

1. Light bulb.

- Recommendations.
 - Do not use a short neck bulb.
 - Light bulb should be no more than 100 Watts.
 - Use a **heavy duty service** bulb for longer life.
- Screw bulb into socket.

2. Lens.

- Slide hinges into slots on motor cover (Fig. 10-1).
- Swing lens up.
 - Fit tabs into slots provided on power head.



FIG. 9-1 Open battery cover.

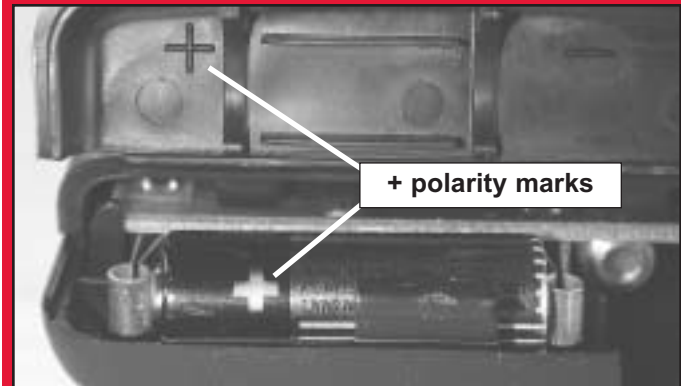


FIG. 9-2 Match battery polarity.



FIG. 9-3 Attach visor clip.



FIG. 10-1 Slide hinges into motor cover.



FIG. 10-2 Fasten Lens.

IMPORTANT SAFETY INSTRUCTIONS

⚠ WARNING:

To reduce the risk of severe injury or death:

22

- 1 READ AND FOLLOW ALL INSTRUCTIONS.
- 2 Never let children operate or play with the Door Controls. Keep the Remote Control away from children.
- 3 Always keep the moving door in sight and away from people and objects until the door is completely closed. **NO ONE SHOULD CROSS THE PATH OF THE MOVING DOOR.**
- 4 NEVER GO UNDER A STOPPED, PARTIALLY OPEN DOOR.
- 5 Test Opener monthly. The door **MUST** reverse on contact with a 1-1/2" high object (or a 2" x 4" board laid flat) at the center of the doorway on the floor. After adjusting either the Force or the Limit of travel, retest the Door Opener. Failure to adjust the Opener properly may cause severe injury or death.
- 6 When possible use the Emergency Release only when the door is closed. Use caution when using this Release with the door open. Weak or broken springs are capable of increasing the rate of door closure and increasing the risk of severe injury or death.
- 7 **KEEP GARAGE DOORS PROPERLY BALANCED.** See Owner's Manual. An improperly balanced door increases the risk of severe injury or death. Have a Genie Factory Authorized Dealer make repairs to cables, spring assemblies, and other hardware.
- 8 **SAVE THESE INSTRUCTIONS.**

10 MAINTENANCE

ROUTINE MONTHLY MAINTENANCE

1. **Door springs and hardware.**
 - **Do not operate** garage door automatically or manually if springs are broken.
 - **CONTACT A PROFESSIONAL FOR SERVICE.**
2. **Door balance.**
 - Close the door.
 - Pull emergency release knob down to release door from carriage assembly.
 - Raise door manually approximately 3 feet.
 - Door should stay in that position or close **very** slowly.
 - If door moves quickly, **HAVE DOOR SERVICED BY A PROFESSIONAL.**
 - Close the door.
 - Pull emergency release knob toward power head to place release lever in engaged position.
 - Operate door using remote.
 - Door will re-attach itself to carriage assembly.
3. **Contact reverse.**
 - Place a 2" x 4" board laid flat on floor.
 - In center of garage door opening.
 - Close door by using wall button or remote control.
 - If door fails to reverse on contact with board, see **Section 7** "CONTACT REVERSE"
 - If operator still fails, **CONTACT A SERVICE PROFESSIONAL.**

4. Safe-T-Beam® System.

- Use Self-Diagnostic STB system Troubleshooting information to maintain safe operation (Below).

TROUBLESHOOTING GUIDE

Use This Guide To Correct Problems With Door Operator.
If These Solutions Do Not Work,
Call Customer Service at 1.800.929.DOOR

SELF-DIAGNOSTIC STB SYSTEM TROUBLESHOOTING

SOURCE RED LED	SENSOR GREEN LED	INDICATED CONDITION	REQUIRED ACTION
● ON	● ON	NORMAL OPERATION	NONE REQUIRED
○ OFF	○ OFF	1. POWER HEAD NOT POWERED 2. WIRING FROM POWER HEAD BAD	1. CHECK BREAKERS, FUSES, PLUGS 2. CHECK WIRING FOR OBVIOUS SHORTS
○ OFF	● ON	1. WIRING TO SOURCE MISSING OR BAD 2. POWER HAS BEEN INTERRUPTED	1. CHECK WIRING 2. REMOVE POWER AND REAPPLY
●●○ 2 BLINKS, PAUSE (REPEAT)	● ON	1. BEAM NOT ALIGNED 2. BEAM OBSTRUCTED 3. SENSOR DEFECTIVE	1. CHECK ALIGNMENT 2. CHECK FOR OBSTRUCTION 3. CALL CUST. SERV.
●●○ 2 BLINKS, PAUSE (REPEAT)	○ OFF	1. WIRE TO SENSOR MISSING OR BAD 2. SENSOR DEFECTIVE	1. CHECK WIRING 2. CALL CUST. SERV.
●●●○ 3 BLINKS, PAUSE (REPEAT)	● ON	1. SENSOR RECEIVING INTERFERENCE	1. ATTEMPT TO DETERMINE SOURCE OF INTERFERENCE 2. CALL CUST. SERV.
●●●●○ 4 BLINKS, PAUSE (REPEAT)	● ON	1. SOURCE NOT SENDING PULSES 2. SOURCE DEFECTIVE	1. CALL CUST. SERV. 2. CALL CUST. SERV.

NOTE: IF OPERATING PROBLEM EXISTS, THE DOOR CAN BE CLOSED IF YOU:
 • DISCONNECT THE STB SYSTEM FROM THE OPERATOR
 • HOLD WALL CONTROL BUTTON DOWN UNTIL DOOR IS CLOSED (REMOTE CONTROL & WIRELESS KEYPAD WILL NOT WORK WITHOUT STB)

For Answers: CALL CUSTOMER SERVICE at 1.800.929.3667

CAUTION

Use wall control supplied with operator. Any other wall control can cause the operator to operate unexpectedly and light not to work.

Operator does not run from wall control

- Check lock switch on wall console.
- Check power source.
 - Plug a lamp into outlet used for power head. If lamp works, power source is OK.
 - If not, check fuse or circuit breaker.
- Power is OK.
 - Check connections at power head terminals.
 - Check connections at wall control.
- Check wires to ensure they are not cut. Staples can cut insulation and short wires. If wire is cut, replace it.

Door operator starts for no reason.

- Was a remote control lost or stolen? Erase all remote control codes from receiver memory and reprogram (See section 7).
- Button stuck on wall control.
- Check CLOSE limit switch setting (See section 6).
- Wires shorted.

Door starts down, then stops before it's closed.

- Check CONTACT REVERSE (See section 6).

Door starts down, then stops and goes back up.

- Check "STB" system for beam obstruction or misalignment of lenses (See section 3).
- Check "STB" diagnostic code.
- Check "CLOSE FORCE" adjustment (See section 6).

Door will only run closed.

- Check OPEN limit switch for short and proper wiring.
- Check "OPEN FORCE" adjustment (See section 6).
- Check door condition and door spring.

Door will only run open.

- Check "STB" system (See self-diagnostic STB Troubleshooting Chart).
- Check CLOSE limit switch for short and proper wiring.
- Check "CLOSE FORCE" adjustment (See section 6).

Lights will not go out.

- Disconnect and reconnect wires on wall control (See section 4).
- Check wiring.
- Incompatible wall control.

Door starts up, but stops before it's completely open.

- Be sure door, operator, and springs are in good repair, properly lubricated and balanced (See maintenance section).
- Check "OPEN" limit switch setting (See section 6).
- Check "OPEN FORCE" adjustment (See section 6).

Operator runs, but door does not move

- Make sure carriage is engaged to carriage slide.
 - place carriage lever in lock position.
- Check force adjustment (See section 6). Door operator will **NOT** run more than 30 seconds each way if door does not move.

Remote control has less than 25 feet operating range.

- Relocate remote control inside car.
- Point remote control at garage door.
- Replace battery (See section 8).
- Reposition door operator antenna.
- **DO NOT** attempt to retune remote controls.

Operator works from wall control, but not from remote control.

- Program remote control code into receiver memory. (See section 7).
- Replace remote control battery with good one. (See section 8).

Noisy operation.

- Be sure all fasteners are tight.
- Be sure door and operator is in good repair, properly lubricated and balanced (See monthly maintenance section).

Safe-T-Beam® system malfunction.

If an operational problem exists, and operator will not run closed. The operator can be forced to close as shown below (See section 5).

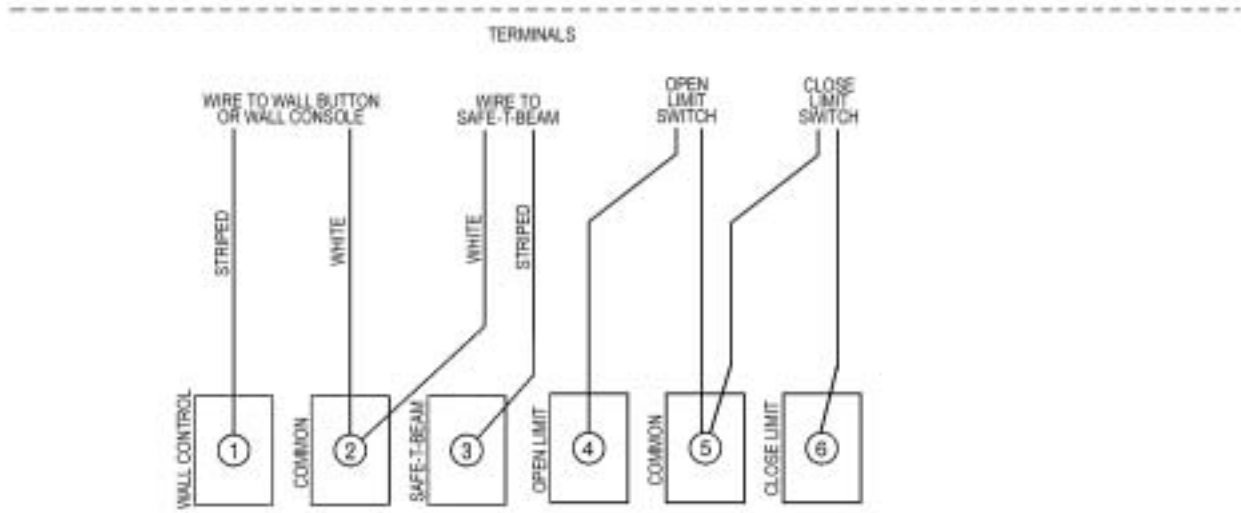
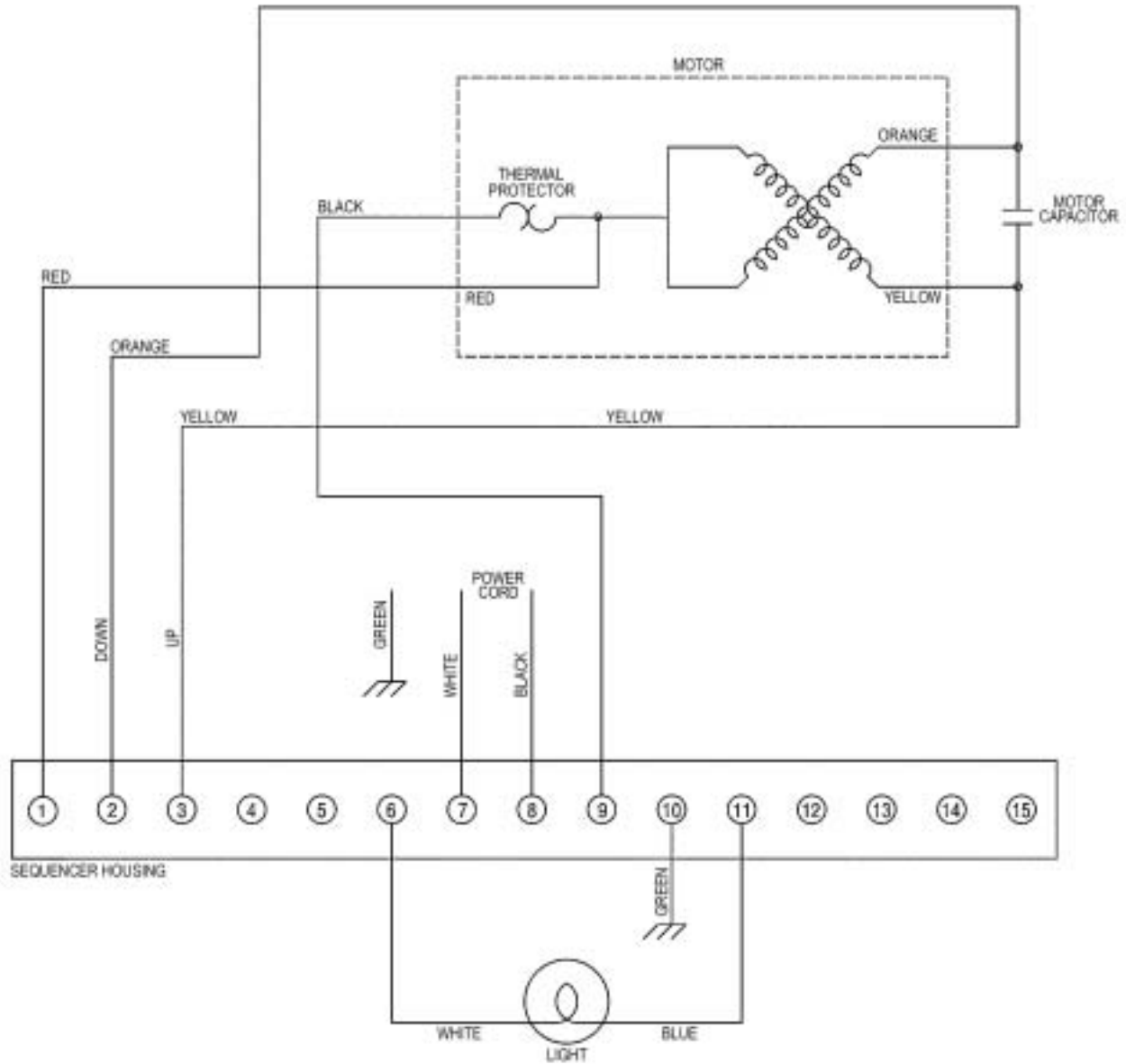
- Disconnect the "STB" system from the operator.
- Hold the wall control button down until door is completely closed.

Use self-diagnostic "STB" system Troubleshooting information to maintain safe operation.

If you have any questions, please do not hesitate to contact customer service at:

1.800.929.3667

STB Bracket Extensions - Provides additional bracket length where it may be needed for clearance.



TRANSMITTER COMPLIANCE STATEMENT

Transmitters comply with all United States and Canadian legal requirements as of the date of manufacture. No warranty is made that they comply with all legal requirements of any other jurisdiction. If transmitters are to be used in another country, the importer must determine compliance with any local laws and regulations which may differ from United States and Canadian requirements prior to use.

Los transmisores cumplen con todas las reglamentaciones legales de los Estados Unidos y del Canadá, en la fecha de fabricación. Ninguna garantía se da que cumplan con todas las reglamentaciones legales de ninguna otra jurisdicción. Si los transmisores se van a utilizar en otro país, el importador debe determinar si cumplen con las reglamentaciones y leyes locales que puedan ser diferentes a las reglamentaciones de los Estados Unidos y del Canadá, antes de usar los mismos.

Les émetteurs sont conformes à la réglementation américaine et canadienne à compter de leur date de fabrication. Aucune garantie n'est stipulée indiquant qu'ils sont conformes à toutes les prescriptions juridiques d'autres autorités. Si les émetteurs sont utilisés dans d'autres pays, il incombe à l'importateur d'en déterminer leur conformité aux lois et règles locales pouvant différer de celles des États-Unis et du Canada avant toute utilisation desdits émetteurs.

Sendegeräte entsprechen allen gesetzlichen Bestimmungen in den USA und Kanada zum Zeitpunkt der Herstellung. Wir übernehmen keine Gewährleistung für die Einhaltung aller gesetzlichen Bestimmungen in anderen Ländern. Sollen Sendegeräte in anderen Ländern eingesetzt werden, so muss der Importeur vor dem Gebrauch sicherstellen, dass die Sendegeräte auch solchen lokalen Bestimmungen entsprechen, welche von den Bestimmungen der USA und Kanadas abweichen.

截止于制造日期, 传动装置符合美国和加拿大的所有法律要求。不提供传动装置符合任何其他司法地区所有法律要求之担保。如果传动装置需在任何其他国家使用, 进口商必须在使用之前确定装置符合与美国和加拿大要求不同之所有地方法规条例。

トランスミッターは、製造日付けのアメリカ合衆国及びカナダの法的条件に準拠します。しかしながら、トランスミッターがアメリカ合衆国及びカナダ以外の国の法的条件に準拠するか否かは一切保証できません。トランスミッターがアメリカ合衆国及びカナダ以外の国で使用される場合、同製品の使用に先立つ法規制がこれらの国々と異なることがあるため、輸入者は同製品が輸入国の法規制に準拠することを確認しなければなりません。

트랜스미터들은 미국과 캐나다 전역에서 제조 날짜를 명기해야 하는 요구사항에 따라야 합니다. 기타 다른 관할권의 모든 법적인 요구 사항에 따라야 하는 책임은 없습니다. 만일 트랜스미터들이 기타 다른 지역에서 사용될 경우 수입업자는 사용하기에 앞서 미국과 캐나다와의 요구사항과는 다를지도 모르는 그 지역의 법과 조례에 따라야 할지의 여부를 결정해야 합니다.

Limited Warranty

Overhead Door Corporation ("ODC") warrants to the original purchaser of the garage door operator as follows:

Model OCG600ML - Motor 5 years and all other parts 3 years.
Model OCG800ML - Motor Lifetime* and all other parts 3 years.

*Lifetime warranty - warranted for as long as you own your home.

ODC's obligation under this warranty is specifically limited to repairing or replacing at its option, any parts which shall be determined by ODC to be defective during the applicable warranty period. This warranty applies only to the original purchaser and is not transferable.

Repair or replacement labor is included for a period of one year from the date of installation. After one year, all labor charges will be the responsibility of the owner. This warranty applies only to the original purchaser and is not transferable.

This warranty does not apply to any operator installed in a commercial, industrial, or other non-residential application. This warranty does not apply to any operator which has been altered or repaired by any person not expressly authorized by ODC in writing to do so. This warranty does not apply to any boom or part which has been damaged or deteriorated due to misuse, accident, or failure to provide necessary maintenance, fire, flood or acts of God.

THERE IS NO WARRANTY OF MERCHANTABILITY, WARRANTY OF FITNESS FOR ANY PARTICULAR PURPOSE OR ANY OTHER IMPLIED WARRANTY BEYOND ONE YEAR FROM THE DATE OF INSTALLATION. ODC SHALL NOT BE LIABLE FOR INCIDENTAL OR CONSEQUENTIAL DAMAGES NOR FOR ANY FURTHER LOSS WHICH MAY ARISE IN CONNECTION WITH ANY CLAIM.

This warranty gives you specific legal rights, and you may also have other rights which vary from state to state. Some states do not allow limitations on how long an implied warranty lasts and some states do not allow the exclusion or limitation of incidental or consequential damages, so the above limitations or exclusions may not apply to you.

ODC has not established any informal dispute settlement procedure of the type described in the Magnuson-Moss Warranty Act. Claims under this warranty must be made in writing to ODC or one of its authorized distributors within the applicable warranty period. Either the original seller may be contacted or the nearest Overhead Door Distributor may be contacted by calling 1-800-929-DOOR (1.800.929.3667). (Proof of purchase and identification as the original purchaser may be required.)

Manufactured under one or more of the following U.S. patents:

3,898,582 4,041,259 4,048,630
4,064,487 4,103,238 5,222,403

Other Patents applied for.

CORRESPONDENCE WITH FACTORY
MUST INCLUDE DATE / MFG. NO.
(LOCATED UNDER LENS OF POWER HEAD)

FILL THIS IN AT TIME OF INSTALLATION FOR YOUR OWN RECORDS, SO THAT IT WILL BE AVAILABLE IF YOU EVER NEED TO CALL US.

Date Purchased ^{MO} / ^D / ^{YR} Date/Mfg. No. ^{WK} / ^{YR} / ^{PI}
Serial Number _____
Operator Model _____
Remote Control Model _____
Dealer Name _____
Dealer Address _____
City _____
State _____
Zip _____

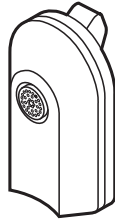
Visit Our Website at: www.overheaddoor.com

SAVE THESE INSTRUCTIONS

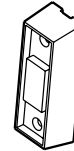
Garage Door Operator Accessories
Accesorios para abridores de puertas de garaje
Accessoires pour ouvre-porte de garage

A

1-Button Remote Control with CodeDodger
 Controlador remoto de lujo con CodeDodger
 Télécommande de luxe avec CodeDodger



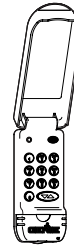
Universal Wall Button
 Botón de pared universal
 Bouton mural universel



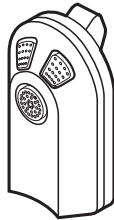
2-Button Remote Control with CodeDodger
 Controlador remoto de 2 funciones con CodeDodger
 Télécommande à 2 fonctions avec CodeDodger



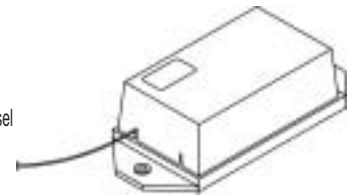
Wireless Keypad Entry System
 Sistema de entrada por teclado numérico inalámbrico
 Système d'ouvre-porte de garage à clavier sans fil



3-Button Remote Control with CodeDodger
 Controlador remoto de 3 funciones con CodeDodger
 Télécommande à 3 fonctions avec CodeDodger



Universal Conversion Kit
 Juego de conversión universal
 Nécessaire de conversion universel



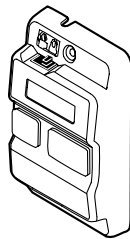
3-Button Mini Remote Control with CodeDodger
 Minicontrolador remoto de 3 botón con CodeDodger
 Mini télécommande à 3 boutons avec CodeDodger



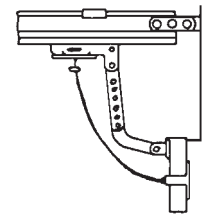
60 WATT Light Bulb
 Bombilla de 60 Vatios
 Éclairage de 60 WATT



3-Function Wall Console with CodeDodger
 Consola de pared de 3 funciones con CodeDodger
 Console murale à trois fonctions avec CodeDodger



Emergency Release Kit
 Juego de pica-porte de pestillo
 Nécessaires de d'clenchement de secours



OverHead Door Corporation
 Access Systems Division
 22790 Lake Park Blvd.
 Alliance, Ohio 44601

Call: 1.800.929.3667
Web: www.overhaddoor.com



python²

OverHead Door Corporation
Access Systems Division
22790 Lake Park Blvd.
Alliance, Ohio 44601

Call: 1.800.929.3667
Web: www.overheaddoor.com