



Control unit

EN - Instructions and warnings for installation and use

IT - Istruzioni ed avvertenze per l'installazione e l'uso

FR - Instructions et avertissements pour l'installation et l'utilisation

ES - Instrucciones y advertencias para la instalación y el uso

DE - Installierungs-und Gebrauchsanleitungen und Hinweise

PL - Instrukcje i ostrzeżenia do instalacji i użytkowania

NL - Aanwijzingen en aanbevelingen voor installatie en gebruik

RU - Инструкции и важная информация для технических специалистов

Index:	page				
1	Warnings	3	5	Programming	11
2	Product description	4	5.1	Programmable functions	11
2.1	Operating limits	5	5.2	Description of functions	12
2.2	Typical system	5	6	Testing	13
2.3	List of cables	5	6.1	Commissioning	13
3	Installation	6	7	Maintenance and Disposal	14
3.1	Preliminary checks	6	7.1	Maintenance	14
3.2	Fixing the control unit	6	7.2	Disposal	14
3.3	Electrical connections	7	8	Accessories	14
3.4	Description of electrical connections	7	9	Technical characteristics	14
3.5	Notes about connections	8			
3.6	Checking the connections	9			
4	Adjustments	10		CE Declaration of Conformity	114
4.1	Operating modes	11			

1) Warnings

This manual contains important information regarding safety. Before starting installation of the components, it is important that you read all the information contained herein. Store this manual safely for future use.

Due to the dangers which may arise during both the installation and use, installation must be carried out in full observance of the laws, provisions and rules currently in force to ensure maximum safety.

This chapter provides details of general warnings. Other more specific warnings are detailed in Chapters "3.1 Preliminary Checks" and "6 Testing and Commissioning".

⚠ According to the most recent European legislation, the automation of doors or gates is governed by the provisions listed in Directive 98/37/CE (Machine Directive) and, more specifically the standards: EN 13241-1 (harmonised standard); EN 12445; EN 12453 and EN 12635, which enables the declaration of machine conformity to the machine directive.

Visit "www.niceforyou.com" for further information and guidelines for risk analysis and how to draw up the Technical Documentation. This manual has been especially written for use by qualified fitters. Except for the enclosed specification "Instructions and Warnings for Users" to be removed by the installer, none of the information provided in this manual can be considered as being of interest to the end users!

- Any use or operation not explicitly provided for in these instructions is not permitted. Improper use may cause damage and personal injury.
- A risk analysis must be carried out before starting installation, including a the list of essential safety requisites provided for in Enclosure I of the Machine Directive, indicating the relative solutions employed. N.B. Risk analysis is one of the documents included in the "Technical Documentation" for this automation.
- Check whether additional devices are needed to complete the automation based on the specific application requirements and dangers present. The following risks must be considered: impact, crushing, shearing, dragging, etc. as well as other general dangers.
- Do not modify any components unless such action is specified in this manual. Operations of this type are likely to lead to malfunctions. NICE disclaims any liability for damage resulting from modified products.
- During installation and use, ensure that solid objects or liquids do not penetrate the control unit or other open devices. If necessary, contact the NICE customer service department; use in these conditions can be dangerous.
- The automation system must not be used until it has been commissioned as described in chapter 6 "Testing and commissioning".
- The packaging materials must be disposed of in compliance with local regulations.
- If a fault occurs that cannot be solved using the information provided in this manual, contact the NICE customer service department.
- In the event that any automatic switches are tripped or fuses blown, attempt to identify and eliminate the relative fault.
- Disconnect all the power supply circuits before accessing the terminals inside the cover. If the disconnection device is not identifiable, affix the following sign: "WARNING: MAINTENANCE WORK IN PROGRESS".

Special warnings concerning the suitable use of this product in relation to the 98/37CE "Machine Directive" (ex 89/392/CEE):

- This product is issued on the market as a "machine component" and is therefore manufactured to be integrated in a machine or assembled with other machines in order to create "a machine", in accordance with the directive 98/37/EC, exclusively in combination with other components and in the manner described in the present instructions manual. As specified in the directive 98/37CE the use of this product is not admitted until the manufacturer of the machine on which this product is mounted has identified and declared it as conforming to the directive 98/37/CE.

Special warnings concerning suitable use of this product in relation to the 73/23/EEC "Low Voltage" Directive and subsequent amendments 93/68/CEE

- This product complies with the provisions envisaged by the "Low Voltage" Directive if used in the configurations foreseen in this instruction manual and in combination with the articles present in the Nice S.p.a. product catalogue. If the product is not used in the specified configurations or is used with other products that have not been foreseen, the requirements may not be guaranteed; use of the product is prohibited in these conditions until compliance with the requirements foreseen by the directive has been verified by installers.

Special warnings concerning suitable use of this product in relation to the 89/336/EEC "Electromagnetic Compatibility" Directive and subsequent amendments 92/31/EEC and 93/68/EEC:

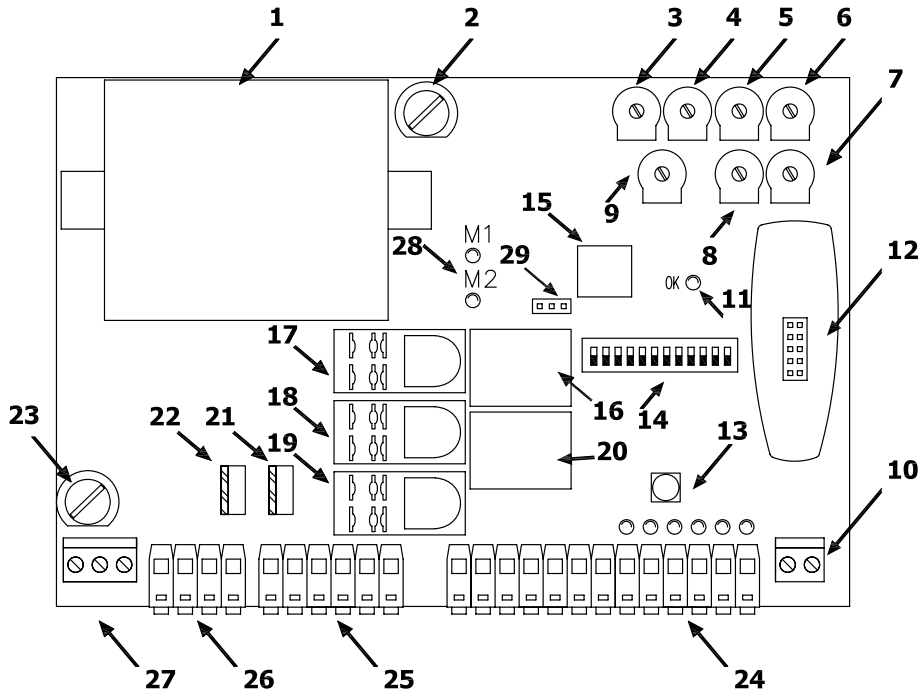
- This product has undergone tests regarding electromagnetic compatibility in the most critical of use conditions, in the configurations foreseen in this instruction manual and in combination with articles present in the Nice S.p.A. product catalogue. Electromagnetic compatibility may not be guaranteed if used in configurations or with other products that have not been foreseen; use of the product is prohibited in these conditions until compliance with the requirements foreseen by the directive has been verified by installers.

2) Product description

This control unit for the automation of gates and doors enables control of two gearmotors with single-phase alternating current. The unit features a series of Dip-switches (mini switches) that enable the selection of the various functions, as well as trimmers used for making adjustments.

The status of the inputs is signalled by LED's located next to the inputs. An additional LED located near the microprocessor indicates whether the internal logic is operating properly.

To facilitate part identification, **Fig.1** below shows the most significant components.



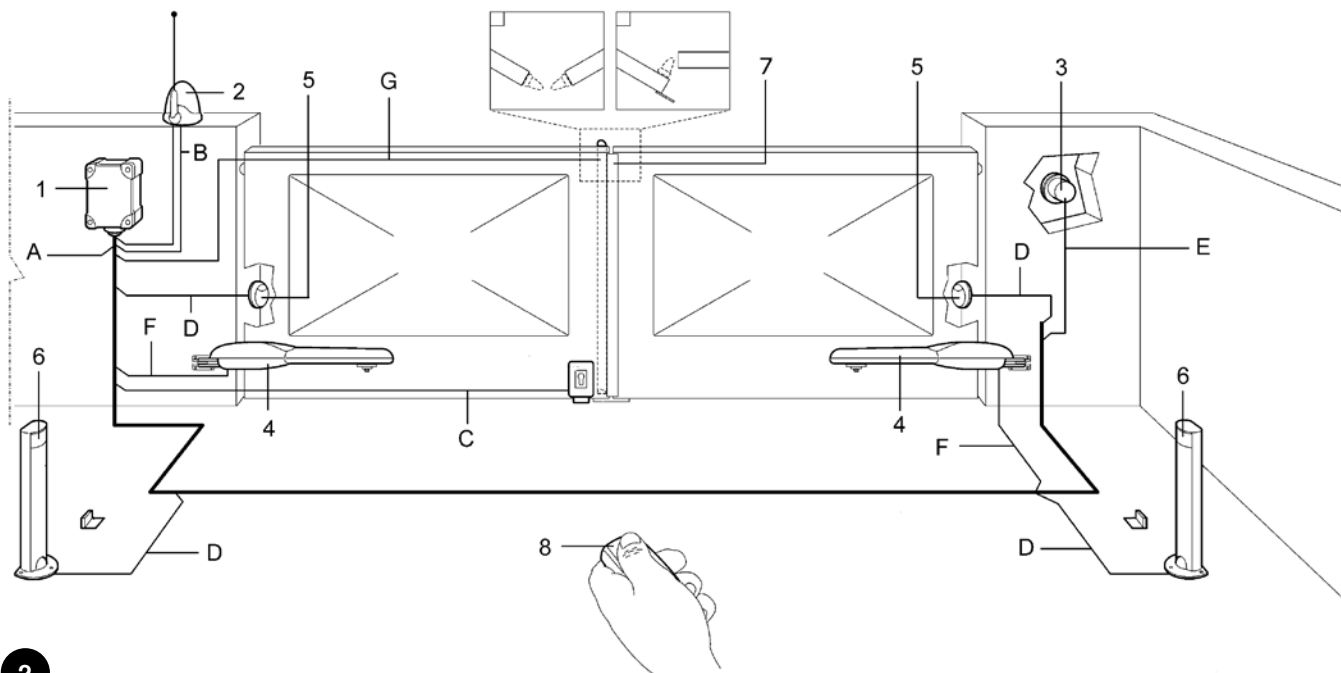
1

- | | |
|---|--|
| <ul style="list-style-type: none"> 1 Transformer 2 Low voltage fuse (500 mA F) 3 Force adjustment trimmer (F) 4 Pause Time adjustment trimmer (TP) 5 Opening Time Delay adjustment trimmer (TRA) 6 Motor 1 Working Time adjustment trimmer (TL1) 7 Motor 2 Working Time adjustment trimmer (TL2) 8 Closing Time Delay adjustment trimmer (TRC) 9 Manoeuvre balance trimmer (BAL) 10 Terminal board for aerial 11 Led OK 12 Radio slot connector 13 Step-by-step button 14 Function selection Dip-Switch 15 Microprocessor | <ul style="list-style-type: none"> 16 Electric lock relay 17 Common motor relay 18 Courtesy light relay 19 Open / Close movement direction relay 20 Phototest relay 21 Motor 2 Triac 22 Motor 1 Triac 23 Rapid fuse (5A 230Vac) or (6.3A 120Vac) power 24 Input / output control terminal board 25 Motor outputs terminal board 26 Flashing / C.tsy light output terminal board 27 Power supply terminal board 28 Motors ON LED 29 Jumper for selection of deceleration mode (M-RAL) |
|---|--|

2.1) Operating limits

Chapter 9 "Technical Characteristics" provides the only data needed to determine whether the products are suitable for the intended application.

2.2) Typical system



2

- 1. Control Unit A60
- 2. Flashing light with incorporated aerial
- 3. Key-operated selector switch
- 4. Motors
- 5. Couple of photoelectric cells PHOTO
- 6. Couple of photoelectric cells PHOTO 1
- 7. Sensitive edge
- 8. Radio transmitter

2.3) List of cables

The typical system shown in figure 2 also states the cables required for connection of the various devices, the specifications of which are provided in table 1.

⚠ The cables used must be suitable for the type of installation; for example, an H03VV-F type cable is recommended for indoor applications, while H07RN-F is suitable for outdoor applications.

Table 1: List of cables

Connection	Tipo cavo	Maximum admissible length
A: Electrical power line	N°1 cable 3x1,5mm ²	30m (note 1)
B: Flashing light with aerial	N°1 cable 2x0,5mm ²	20m
	N°1 shielded cable type RG58	20m (less than 5m recommended)
C: Electric lock	N°1 cable 2x1mm ²	20m
D: Photocells	N°1 cable 2x0,25mm ² (Tx)	30m
	N°1 cable 4x0,25mm ² (Rx)	30m
E: Key-operated selector switch	N°1 cable 4x0,25mm ²	30m
F: Connection to the motors.	N°1 cable 4x1,5mm ²	3m
G: Connection to sensitive edge	N°1 cable 2x0,25mm ²	30m

Note 1: power supply cable longer than 30m may be used provided it has a larger gauge, e.g. 3x2,5mm², and that a safety earthing system is provided near the automation unit.

3) Installation

⚠ The installation must be carried out by qualified personnel in compliance with current legislation, standards and regulations, and the directions provided in this manual.

3.1) Preliminary checks

Before proceeding with the installation:

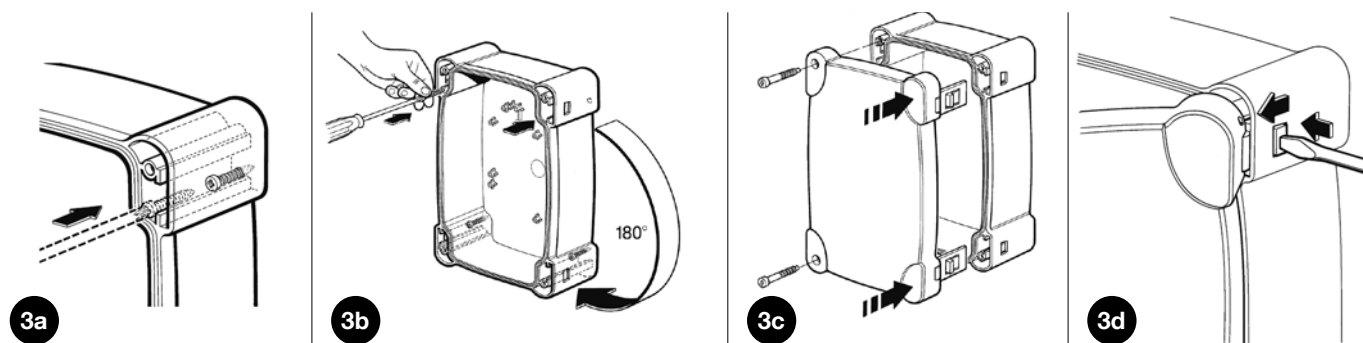
- Check that all the materials are in excellent condition, suitable for use and compliant with current standards.
 - Ensure that the structure of the gate is suitable for automation.
 - Ensure that the mounting positions of the various devices are protected from impact and that the mounting surfaces are sufficiently sturdy.
 - Install cable or pipe leads only at the bottom of the unit; for no reason whatsoever must the side and top walls be perforated. The cables must only enter the unit from the bottom!
 - Insert suitable mechanical stops, anchored to the ground, both for opening and closing manoeuvres.
 - Components must never be immersed in water or other liquids. Keep away from heat sources and open flames; in acid, saline or potentially explosive atmosphere; this could damage A60 and cause malfunctions or hazardous situations.
 - If there is an access door in the leaf, or within the range of movement of the gate, make sure that it does not obstruct normal travel. Mount a suitable interlock system if necessary.
 - Only connect the control unit to a power supply line equipped with a safety grounding system.
- The power supply line must be protected by suitable magnetothermal and differential switches.
 - A disconnection device must be inserted in the power supply line from the electrical mains (the distance between the contacts must be at least 3.5mm with an overvoltage category of III) or equivalent system, for example an outlet and relative plug. If the disconnection device for the power supply is not mounted near the automation, it must have a locking system to prevent unintentional, unauthorised connection.

3.2) Fixing the control unit

Insert the two screws in the upper holes provided, sliding them on the guide as in fig. 3a and partly screwing them in. Turn the control unit through 180° and perform the same operation with the other 2 screws. Fix the control unit on to the wall.

Fix the cover on the desired part (with opening on the right or left), press firmly on the arrows.

To remove the cover, press with a screwdriver on the join and push upwards at the same time.



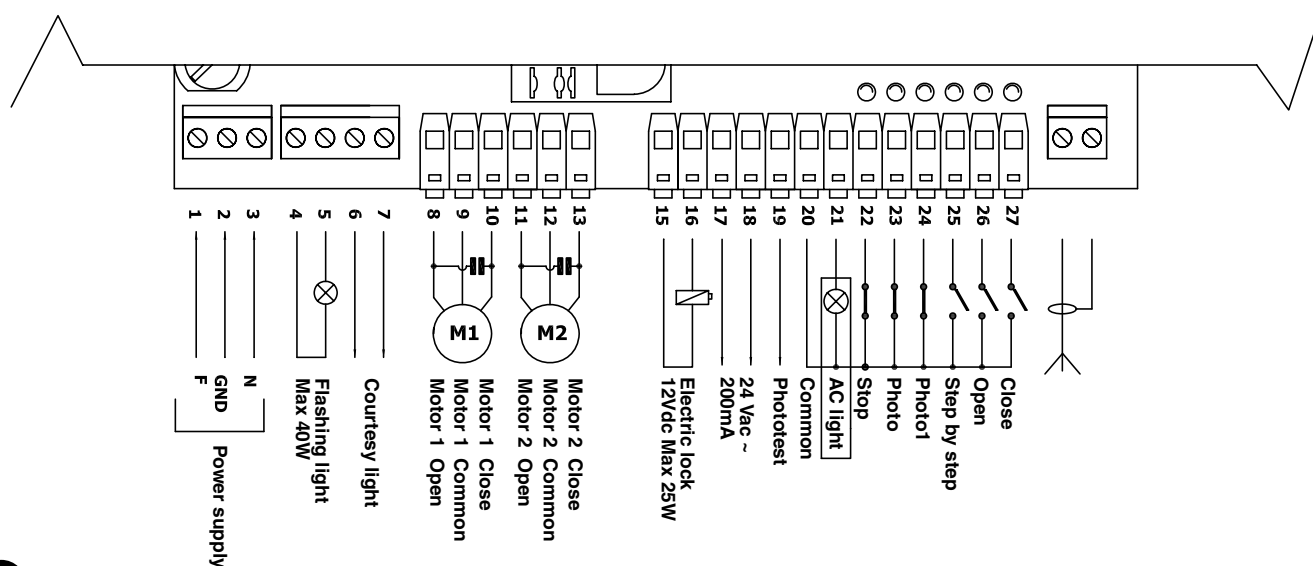
3.3) Electrical connections

⚠ To safeguard the operator and avoid damaging the components, make sure that the control unit is switched off while you are wiring or plugging in the various cards.

- Power the control unit using a 3 x 1.5 mm² cable; should the distance between the unit and the earth connection exceed 30m, install an earth plate near the unit.
- Use wires with a minimum cross-section of 0.25 mm² to connect extra-low voltage safety circuits.
- Use shielded wires if the length exceeds 30m and only connect the earth braid to the control unit side.
- Do not make connections to cables in buried boxes even if they are completely watertight.
- If the inputs of the Normally Closed (NC) contacts are not used, they should be jumped with the “24V common” terminal except for the photocell inputs if the phototest function is enabled. For further information please see the paragraph 3.5 “Notes about connections” in the part “ Phototest “.
- If there is more than one (NC) contact on the same input, they must be connected in SERIES.
- If the inputs of the Normally Open (NA) contacts are not used they should be left free.
- If there is more than one (NA) contact on the same input, they must be connected in PARALLEL.
- The contacts must be mechanical and potential-free; no stage connections are allowed, such as those defined as “PNP”, “NPN”, “Open Collector”, etc.

Carry out the necessary connections, following the diagram in **Fig. 4** and the following description of the connections.

Remember that there are specific standards that must be complied with both as regards the safety of the electrical systems and as regards automatic gates.



4

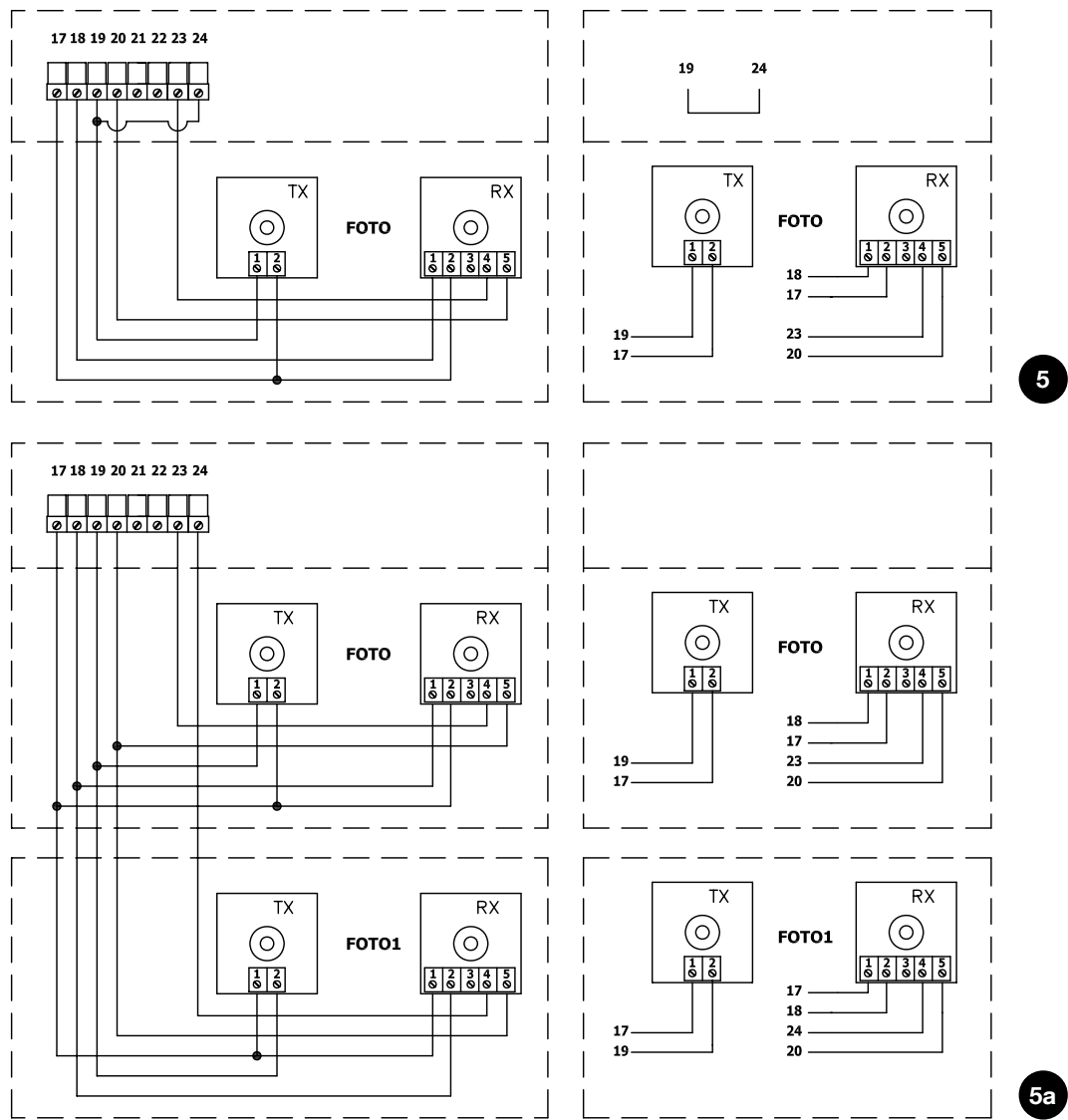
3.4) Description of electrical connections

The following table provides a brief description of the possible control unit output connections.

Terminals	Function	Description
1-2-3 :	Power supply =	Mains power line
4-5 :	Flashing light =	Output for connecting flashing light to mains voltage (Max. 40W)
6-7 :	Courtesy light =	Clean contact output for courtesy light connection (Max. 5A)
8-9-10 :	Motor1 =	Motor 1 control output,
11-12-13 :	Motor2 =	Motor 2 control output
15-16 :	Electric lock =	12 Vdc output for electric lock activation, max. power 25W
17-18 :	24 Vac =	Power supply to 24Vac services (Max. 200 mA)
19 :	Phototest =	Phototest output - “TX” power supply to photocells - (Max. 75 mA)
20 :	Common =	Common for all inputs
21 :	AC light =	24 Vac output for open gate indicator light (Max. 2W)
22 :	Stop =	Input with “Stop” function (Stop and short reverse run)
23 :	Photo =	Input for safety devices
24 :	Photo1 =	Input for additional safety device
25 :	Step by step (PP) =	Input for cyclic movement (“Open” – “Stop” – “Close” – “Stop”)
26 :	Open =	Input for opening function
27 :	Close =	Input for closing function
	Aerial =	Input for the radio receiver aerial

For the most part, connections are easy; a lot of them are direct connections to a single user point or contact but some are a little more complex:

All the single-phase asynchronous motors need a capacitor for them to work properly; some gearmotors have this capacitor already connected inside while others have to have the capacitor connected externally. In this case, the capacitor must be connected between the motor's OPEN and CLOSE phases. To be more practical the capacitor should be connected directly inside the unit.



The "Phototest" function improves the reliability of the safety devices and puts the control unit and safety photocells in "category 2" according to EN 954-1 standard (ed. 12/1996). Each time a manoeuvre is begun, the related safety devices are checked and the manoeuvre is started only if everything is in order. Should the test be unsuccessful (the photocell is blinded by the sun, cables have short circuited, etc.) the failure is identified and the manoeuvre is not carried out.

To enable the Phototest function:

- Set Dip Switch 10 to ON
- Connect the safety devices as shown in **fig. 5** (when using the PHOTO output alone), or as shown in **fig. 5a** (when using PHO-TO1 as well).

The photocell transmitters are not powered directly from the service output, but through the dedicated PHOTOTEST output. The maximum current available at the PHOTOTEST output is 75mA (3 pairs of photocells).

- Power the receivers directly from the service output of the control unit (terminals 17-18).

The photocells are tested as follows: when a movement is required, all the receivers involved in the movement are checked to make sure they give their consent, then power to the transmitters is disconnected; next all the receivers are checked to make sure they signal the fact by withholding their consent; the transmitters are then powered and the consent of all the receivers is verified once more. Only if this sequence is successfully carried out will the manoeuvre be performed.

It is always a good idea to activate the synchronisation function by cutting the jumpers on the transmitters. This is the only way to make sure that two pairs of photocells will not interfere with each other. Read the instructions for "SYNCHRONISED" operation in the photocell manual.

If an input subjected to PHOTOTEST is not being used (see PHO-TO1) but you still require the phototest function, connect the unused input with the PHOTOTEST output (terminals 19-24) using a jumper; see **fig. 5a**.

If at a later time the Phototest function is no longer required, set Dip-Switch 10 to the OFF position.

3.6) Checking the connections

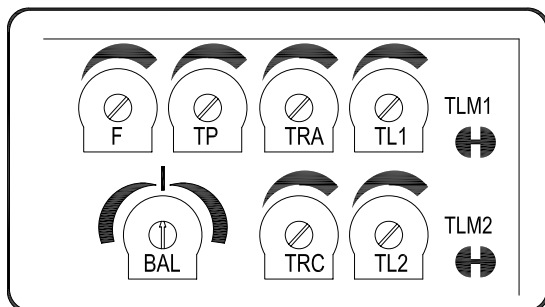
⚠ The following operations entail working on live circuits; most of these run on extra-low safety voltage so they are not dangerous; however, some are mains voltage circuits, which means they are HIGHLY DANGEROUS! Pay the utmost attention to what you are doing and NEVER WORK ALONE!

- Power the control unit and check that voltage between terminals 17-18 is approx. 24Vac.
- Check that the “OK” LED flashes rapidly for a few moments and then that it flashes at a regular frequency.
- Now check that the LED’s related to the N.C. (Normally Closed) contacts are on (all safety devices active) and that the LED’s related to the N.O. (Normally Open) inputs are off (no command); if this is not the case, check the connections and efficiency of the various devices. The STOP input switches off both FCA and FCC.
- Release the leaves, take them to the halfway point and then stop them; this way the leaves will be free to move in either the opening or closing direction.
- Now make sure that movement occurs in the right direction, i.e., see whether the movement set on the unit corresponds to that of the leaves. This check is of paramount importance, if the direction is wrong, in some cases (in the “Semiautomatic” mode, for instance) the “Automatic” system might appear to be working properly; in fact, the OPEN cycle is similar to the CLOSE cycle but with one basic difference: the safety devices are ignored in the closing manoeuvre, which is normally the most dangerous, and they will trigger in the opening manoeuvre, causing the gate to close against an obstacle with disastrous results!
- To see whether the direction of rotation is correct, give a short impulse to the Open input and make sure that the automatic system moves in the opening direction; if this movement is incorrect, proceed as follows:
 - Turn the power off
 - Invert the power conductors of the wrong motor/s. (In the case of M1, invert the connection of terminals 8-10; for M2, invert the connection of terminals 11 – 13).
 - Once this has been done, check whether the direction of rotation is correct by repeating the last operation.

The “OK” LED located in the centre of the board next to the microprocessor has the task of signalling the status of the internal logic: regular flashing at 1 second intervals indicates that the internal microprocessor is active and waiting for commands. When the microprocessor recognises a variation in the status of an input (whether it is a command or a function Dip-Switch input) it generates a rapid double flash even if the variation does not have any immediate effects. Extremely rapid flashing for 3 seconds means that the control unit has just been powered or is carrying out internal testing. Lastly, irregular flashing means that the test has been unsuccessful and that a fault has occurred.

4) Adjustments

Adjustments can be made through trimmers that modify the following parameters:



• WORKING TIME (TL1 TL2):

These adjust the maximum duration of the opening or closing manoeuvre of motor 1 (TL1) and motor 2 (TL2).

The adjustments made to the trimmers (TL1 TL2) take effect the first time a closed gate performs an opening manoeuvre (working time of the 2 leaves finished). Therefore always adjust the trimmers when the gate is closed.

If gearmotors with electric limit switches or limit stops are used, adjust these switches or stops to maximise the opening or closing range of a leaf.

To adjust the working times TL, select the "Semiautomatic" operating mode by setting Dip-Switch 1 to ON, then adjust the TL trimmers to halfway along the travel distance. When these adjustments have been made, execute an opening and closing cycle; if necessary also adjust the TL trimmers so that there is enough time to execute the entire manoeuvre and still leave a margin of 2 or 3 seconds before the electric limit switches (on the motors with limit switches) or the limit stops cut-in.

In order to check when the working time for the two motors terminates, check whether the Motors ON LEDs, located on the control unit, have switched off. (The LEDs will switch off when the Working Time for the respective motor is up).

If the TL trimmers are at maximum and there still is not enough time to perform the entire manoeuvre, cut the TLM1 jumper to increase the working time of motor 1 and cut the TLM2 jumper to increase the working time of motor 2. These jumpers are located alongside the corresponding trimmers.

If you wish to use the DECELERATION function (Dip-Switch 8 On), adjust the working time trimmers so that the motors begin the deceleration stage approximately 50 - 70cm before the opening or closing limit stops are reached.

• OPENING TIME DELAY (TRA) AND CLOSING TIME DELAY (TRC):

If the gate has two leaves that might jam if they start moving simultaneously, or that might overlap when closing, you need to adjust the Opening Time Delay trimmer (TRA) or the Closing Time Delay (TRC) trimmer to overcome these problems.

The TRA trimmer must be adjusted to ensure that the leaf moved by the second motor is out of the range of the leaf moved by the first motor when the latter starts moving.

The TRC trimmer must be adjusted to ensure that, during the closing operation, the leaf moved by the second motor reaches the end of its travel after the first motor has completed its closing manoeuvre.

• PAUSE TIME (TP):

In "Automatic" mode, this adjusts the time span between the end of the opening manoeuvre and the beginning of the closing manoeuvre.

• FORCE (F):

Take great care when adjusting the FORCE (F) trimmer, as this may affect the level of safety of the automatic system. Trial by error is required to adjust this parameter, measuring the force applied to the leaf and comparing it with regulatory values.

• BALANCING manoeuvre times (BAL):

The BALANCE trimmer on this control unit enables a differentiation between the work time between leaf opening and closing manoeuvres.

This is useful when the motor has different speeds in the two directions, such as in the case of hydraulic motors or when the gate leaves are offset in opening and closing, causing different force levels and thus requiring different travel times within the same space.

Therefore if the gate is offset in closing, the opening manoeuvre may terminate before reaching the mechanical stops, in which case rotate the BAL trimmer clockwise (Op) to increase the opening time until the deceleration starts at the set point (50 cm before the mechanical stop) and the manoeuvre lasts for a further 3-5 seconds after the leaves have reached the mechanical stops.

On the other hand, if the gate is offset in opening, balance by rotating the BAL trimmer anti-clockwise (Cl) to extend the closing manoeuvre time.

If the trimmer is positioned exactly at the centre, the opening and closing manoeuvres will have the same work time.

4.1) Operating modes

In the manual operating mode, the OPEN input enables an opening movement, while the CLOSE input enables a closing movement. The STEP-BY-STEP input enables an alternating opening and closing movement. Movement stops as soon as the input command stops. During an opening or closing manoeuvre, movement will stop also when the command input or the signal from the safety devices is disabled. During both opening and closing manoeuvres, the activation of the STOP command will cause the movement to stop immediately. When a movement is stopped, stop the input command before giving a command to start a new movement.

When one of the automatic modes (“Semiautomatic”, “Automatic” or “Automatic + Close Always”) is operational, a command impulse to the OPEN input causes an opening manoeuvre. A command impulse to the STEP-BY-STEP input begins an alternating closing and opening manoeuvre. A second impulse to the STEP-BY-STEP input or to the same input the started the movement will cause it to stop.

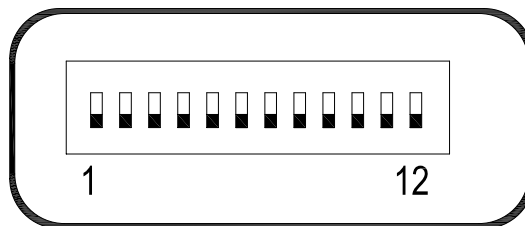
Both in the opening and closing phases, the activation of the STOP command will cause an immediate stopping of movement and a short reverse run. If a continuous signal rather than an impulse is maintained in a command input, a “prevalence” condition will be generated causing the other command inputs to be disabled (**this is useful if you need to connect a clock or a Night/Day selector switch**).

If an automatic operating mode has been chosen, the opening manoeuvre will be followed by a pause and then a closing manoeuvre. If PHOTO triggers during the pause, the timer will be reset with a new pause time; if, on the other hand, STOP is activated during the pause, the closing function will be cancelled and the system will switch to the STOP mode.

PHOTO will have no effect if it is triggered during the opening manoeuvre, however if PHOTO is triggered during the closing manoeuvre, the movement will reverse, pause, and then start to close again.

5) Programming

The unit comprises a set of microswitches used to operate various functions so as to render the system more suitable to user needs and safer in the different ways of usage. All functions are activated by placing the dip-switch in the “ON” position while they will not be activated if the corresponding dip-switches are “OFF”; some functions do not have an immediate effect and only have sense in certain conditions like.



⚠ ATTENTION: some of the programmable functions are linked to safety aspects, very carefully evaluate the effects of a function and see which function gives the greatest possible level of safety.

When servicing a system, before you modify a programmable function, ascertain the reason why, during installation, certain choices were made and then verify if, with the new programming, safety will be impaired.

5.1) Programmable functions

With the FUNCTIONS dip-switch you can select the various functioning modes and add the functions required according to this table:

Switch 1-2	Off Off	= “Manual” movement, i.e. hand operated
	On-Off	= “Semiautomatic” movement
	Off-On	= “Automatic” movement, i.e. automatic closing
	On-On	= “Automatic + always close” movement
Switch 3	On	= Condominium operation < not available in manual mode >
Switch 4	On	= Pre-flashing
Switch 5	On	= Close 5” after Photo < in automatic mode > or Close after Photo < in semiautomatic mode >
Switch 6	On	= “Photo1” safety also during opening manoeuvres
Switch 7	On	= Ramming
Switch 8	On	= Deceleration
Switch 9	On	= Maintain pressure
Switch 10	On	= Phototest
Switch 11	On	= Courtesy Light in impulse mode
Switch 12	On	= Close becomes Open for Pedestrians

Note 1: Some functions are only available in certain conditions; these are explained by the notes between the characters “<...>”.

5.2) Description of functions

Here is a brief description of the functions that can be added by setting the corresponding Dip-Switch to "ON".

- Switch 1-2:** Off Off = "Manual" movement (hand operated)
 On-Off = "Semiautomatic" movement
 Off-On = "Automatic" movement (automatic closing)
 On-On = "Automatic + Always Close" movement

In the "Manual" operating mode, the gate will only move as long as the control button is held down.

In "Semiautomatic" mode, a command impulse will perform the whole movement until the Working Time limit expires or the limit stop is reached. In the "Automatic" operating mode, an opening manoeuvre is followed by a pause, after which the gate closes automatically. The "Always Close" function comes into play following a power failure, automatically activating a closing manoeuvre preceded by 5 seconds of pre-flashing.

- Switch 3:** On = Condominium operation (not available in Manual mode)

In the Condominium operating mode, once an opening manoeuvre has started it cannot be interrupted by other command impulses, such as STEP-BY-STEP or OPEN, until the gate has finished opening. During a closing manoeuvre, a new command impulse will stop the gate and reverse the direction of movement in order to open the gate.

- Switch 4:** On = Pre-flashing

A command impulse activates the flashing light, followed by movement 5 seconds later (2 seconds later in manual mode).

- Switch 5:** On = Close 5" after Photo < in automatic mode > or Close after Photo < in semiautomatic mode >

This function, in Automatic mode, allows the gate to be kept open only for the time required for transit; when the PHOTO stage is over, the manoeuvre stops. After 5 seconds a closing manoeuvre will automatically begin. If PHOTO triggers in the "Semiautomatic" mode during a closing manoeuvre, the "Automatic" closing manoeuvre is activated with a set pause time.

- Switch 6:** On = Safety (Photo1) also during the opening manoeuvre
 The "Photo1" safety device is normally active only during the closing manoeuvre; if Dip-Switch 6 is turned "On", the safety device will cause the movement to stop also during the opening manoeuvre. In the Semiautomatic or Automatic modes, the opening manoeuvre will start again immediately after the photocell has been disengaged.

- Switch 7:** On = Ramming

When reversible actuators are used, so that the gate does not remain closed thanks to the thrust of the motors alone, it is necessary to install an electric lock (see actuators' operating instructions). The electric lock may apply a natural thrust to the gate, causing the leaves to open slightly; at times this thrust is so powerful as to cause the locking mechanism to jam.

With the ramming function on, a brief closing cycle is activated before an opening manoeuvre is started. This, however, will not generate any actual movement since the leaves will already be positioned against the closing limit stop.

This way, when the electric lock is activated it will be free from the effects of unwanted forces and will readily click open.

- Switch 8:** On = Deceleration

Deceleration consists in a 30% reduction of the nominal speed, to reduce the impact force in the gate opening and closing zones.

The deceleration function slows down the automation speed and reduces motor torque by 70%.

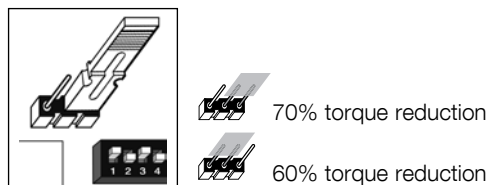
In automations requiring a high torque, this torque reduction could

cause shutdown of the motors.

For this reason, this function is disabled on heavyweight gates and those subject to high friction.

Once the deceleration function is enabled, the Work Time (WT) trimmer must be adjusted as the deceleration start depends on the set Work Time. Therefore set the Work Time so that deceleration starts at approx. 50 cm before the mechanical stops to ensure that the manoeuvre lasts a further 3-5 seconds after reaching the mechanical stop.

A jumper (M-RAL) is fitted on the control unit to enable selection of the two DECELERATION modes; one with 70% torque reduction and one with 60% torque reduction to use on heavier gates.



Note that during deceleration, the motor noise levels increase slightly. Before adjusting deceleration settings, read paragraph "4 Adjustments" with special reference to the operation of the Balance trimmer (BAL).

- Switch 9:** On = Maintain pressure

With hydraulic actuators, the thrust required to keep the gate closed is generated by a hydraulic circuit which is constantly under pressure.

However, time and wear tend to reduce the seal of the hydraulic circuit. Consequently, after a few hours of operation the internal pressure may drop, causing the leaves to open slightly.

If the "Maintain Pressure" function is enabled, every 4 hours that the gate remains closed a brief closing manoeuvre is activated in order to restore the hydraulic circuit pressure.

- Switch 10:** On = Phototest

This function checks photocell efficiency at the beginning of each manoeuvre. See the PHOTOTEST chapter.

- Switch 11:** On = Courtesy light in impulse mode

In this mode, the clean contact of the courtesy light output will remain closed for 1 sec. at the starting of each opening or closing manoeuvre, thus enabling a command impulse to be sent to an external timer.

- Switch 12:** On = CLOSE becomes OPEN for Pedestrians

In this mode, the CLOSE input loses its basic function and becomes a Pedestrian Step-by-Step input that allows the gate leaf controlled by motor 2 to be opened for pedestrian access.

The Pedestrian opening cycle can only be activated when the gate is closed, while if the gate is moving or open the impulse has no effect on the input.

6) Testing

After the above checks and adjustments have been made, the system can be tested.

⚠ The automation system must be tested by qualified and experienced personnel who must establish what tests to perform based on the risks involved.

Testing is the most important part of the whole automation process. Each single component, e.g. motor, emergency stop, photocells, etc., may require a specific test phase; please follow the procedures described in the operating instructions for each component.

To test the control unit, perform the following operations:

1. Function selection:
 - Set Dip Switch 1 to ON (Semi-automatic operation) and the remaining ones to OFF
2. Press the Open button and check that:
 - the flashing light is activated
 - the opening manoeuvre starts
 - the movement stops when the opening limit stop is reached.
3. Press the Close button and check that:
 - the flashing light is activated
 - the closing manoeuvre starts
 - the movement stops when the closing limit stop is reached.
4. Start an opening manoeuvre and make sure that during the manoeuvre the triggering of a device:
 - connected to the "Stop" input causes an immediate stop and a short reverse run
 - connected to the "Photo" input has no effect.
5. Start a closing manoeuvre and make sure that during the manoeuvre the triggering of a device:
 - connected to the "Stop" input causes an immediate stop and a short reverse run

- connected to the "Photo" input causes the stop and subsequent reversal of the manoeuvre
 - connected to the "Photo1" input causes the stop and subsequent reversal of the manoeuvre.
6. On the connected inputs, make sure that each activation of the input generates a step in the following sequence:
 - Step-by-step input: Sequence = Open – Stop – Close – Stop
 - Open input: Sequence = Open – Stop – Open – Stop
 - Close input: Sequence = Close – Stop – Close – Stop
 7. If the "Phototest" function is used, check the efficiency of the test:
 - Interrupt the "Photo" photocell, then start a manoeuvre and check that it is not performed
 - Interrupt the "Photo1" photocell, then start a manoeuvre and check that it is not performed
 - Short the "Photo" photocell contact, then start a manoeuvre and check that it is not performed
 - Short the "Photo1" photocell contact, then start a manoeuvre and check that it is not performed
 8. Perform the tests for measuring the Impact Forces as required by EN 12445.

If after the completion of the testing process additional functions are activated which could affect the safety of the system, specific testing of these functions must be performed.

6.1) Commissioning

Commissioning can take place only after all the testing phases of the control unit and the other devices have been completed successfully. It is not permissible to execute partial commissioning or to enable use of the system in makeshift conditions.

1. Prepare and store for at least 10 years the technical documentation for the automation, which must include at least the following: assembly drawing of the automation, wiring diagram, analysis of hazards and solutions adopted, manufacturer's declaration of conformity of all the devices installed (for A60 use the annexed CE declaration of conformity); copy of the instruction manual and maintenance schedule of the automation.
2. Affix a dataplate on the gate providing at least the following data: type of automation, name and address of manufacturer (person responsible for the "commissioning"), serial number, year of manufacture and "CE" marking.
3. Post a permanent label or sign near the gate detailing the operations for the release and manual manoeuvre.
4. Prepare the declaration of conformity of the automation system and deliver it to the owner.
5. Prepare the "Instructions and warnings for the use of the automation system" and deliver it to the owner.
6. Prepare the maintenance schedule of the automation system and deliver it to the owner (this must provide all directions regarding the maintenance of the single automation devices).
7. Before commissioning the automation system inform the owner in writing regarding residual risks and hazards (e.g. in the "Instructions and warnings for the use of the automation system").

7) Maintenance and Disposal

⚠ This charter provides information about how to draw up a maintenance schedule, and the disposal of A60.

7.1) Maintenance

The automation must undergo maintenance work on a regular basis, in order to guarantee prolonged lifetime.

The maintenance operations must be performed in strict compliance with the safety directions provided in this manual and according to the applicable legislation and standards.

If other devices are present, follow the directions provided in the corresponding maintenance schedule different from **A60**.

1. It requires scheduled maintenance work every 6 months or 10.000 manoeuvres (max.) after previous maintenance.
2. Disconnect all power supplies.
3. Check for any deterioration of the components which form the automation, paying particular attention to erosion or oxidation of the structural parts. Replace any parts which are below the required standard.
4. Connect the electric power sources up again, and carry out the testing and checks stated in Paragraph "6 Testing".

7.2) Disposal

As in the case of installation, at the end of the product lifetime, disposal procedures must be carried out by qualified personnel.

This product comprises various types of materials, some of which can be recycled while others must be disposed of. Check information on the recycling and disposal procedures according to local legislation for this product category.

⚠ Some parts of the product may contain pollutant or hazardous substances; if disposed of into the environment these may constitute a serious risk of damage to the environment and public health.

As indicated by the symbol in figure never dispose of this product in domestic waste. Apply "classified waste collection" procedures for disposal in accordance with local regulations or return the product to the retailer when purchasing a new model.



Local regulations may envisage serious fines in the event of illegal disposal of this product.

8) Accessories

RADIO card

The control unit features a connector for plugging in an SM radio card, which activates the inputs and allows the control unit to be remote-controlled through a transmitter.

output 1 STEP-BY-STEP
output 2 Open for pedestrians
output 3 Open
output 4 Close

9) Technical characteristics

With the aim of improving products, Nice S.p.a reserves the right to modify technical characteristics at any time without notice, while maintaining the same functionalities and intended use.

All technical characteristics stated refer to an ambient temperature of 20°C (±5°C).

Model type:	A60	A60/V1
Power	230 Vac ± 10%, 50 - 60 Hz	120 Vac ± 10%, 50 - 60 Hz
Maximum actuators power	300 W [1,3 A]	300 W [2,5 A]
Maximum flashing light power		100W
Maximum frequency of operating cycles		unlimited
Maximum time of continuous operation		unlimited
Maximum current accessories (24 Vac)		200 mA
Maximum current phototest output		75 mA
Gate open indicator max. power SCA (24Vac)		2 W
Maximum electric lock power 12 Vac		15 VA
Working time	from 2,5 to 40 sec. (from 40 to 80 sec. with TLM)	
Pause time	from 5 to 80 sec.	
TRA opening delay time	0 or from 2.5 to 12 sec.	
TRC closing delay time	0 or from 2.5 to 12 sec.	
BALANCING manoeuvre times	from 0 to 8 sec.	
Force adjustment	from 0 to 100 %	
Operating temperature	-20 ÷ 50 °C	
Size	280 x 220 x 110 mm	
Weight	1,9 kg	
Protection level	IP 55 (container undamaged)	

- **Before using your automation system for the first time**, ask the installer to explain the origin of residual risks; take a few minutes and read the users **instructions manual given you by the installer**. Retain the manual for future use and deliver it to any subsequent owner of the automation system.
- **Your automation system is a machine that will faithfully execute your commands**; unreasonable or improper use may generate dangers: do not operate the system if there are people, animals or objects within its range of operation.
- **Children**: automation systems are designed to guarantee high levels of safety and security. They are equipped with detection devices that prevent movement if people or objects are in the way, guaranteeing safe and reliable activation. However, children should not be allowed to play in the vicinity of automated systems; to prevent any accidental activations, keep all remote controls away from children: **they are not toys!**
- **Photocells do not constitute actual safety devices, but safety aids**. They are designed using highly reliable technology, but in extreme conditions may be subject to malfunctions or potential faults, and in certain cases these faults are not immediately evident.

For this reason, it is good practice to observe the following:

 - Transit is admitted only if the gate or door is completely open with the leafs stationary
 - Transit while the gate or door is closing is **STRICTLY PROHIBITED!**

Periodically check correct operation of the photocells and perform the scheduled maintenance at least every six months.
- **Malfunctions**: If you notice that your automation is not functioning properly, disconnect the power supply to the system and operate the manual release device. Do not attempt to make any repairs; call the installation technician and in the meantime, operate the system like a non-automatic door after releasing the gearmotor as described below.
- **Maintenance**: Like any machine, your automation needs regular periodic maintenance to ensure its long life and total safety. Arrange a periodic maintenance schedule with your installation technician. Nice recommends that maintenance checks be carried out every six months for normal domestic use, but this interval may vary depending on the intensity of use. Only qualified personnel are authorised to carry out checks, maintenance operations and repairs.
- Do not modify the system or its programming and adjustment parameters in any way, even if you feel capable of doing it: your installation technician is responsible for the system.
- The final test, the periodic maintenance operations and any repairs must be documented by the person who has performed them, these documents must remain under the custody of the owner of the system.

The only recommended maintenance operations that the user can perform periodically concern the cleaning of the photocell glasses and the removal of **leaves and debris that may impede the automation**. To prevent anyone from activating the gate release the automation system. Use a slightly damp cloth to clean.

Indice:	pag.				
1	Avvertenze	17	5	Programmazioni	25
2	Descrizione prodotto e destinazione d'uso	18	5.1	Funzioni programmabili	25
2.1	Limiti d'impiego	19	5.2	Descrizione delle funzioni	26
2.2	Impianto tipico	19	6	Collaudo	27
2.3	Elenco cavi	19	6.1	Messa in servizio	27
3	Installazione	20	7	Manutenzione e smaltimento	28
3.1	Verifiche preliminari	20	7.1	Manutenzione	28
3.2	Fissaggio	20	7.2	Smaltimento	28
3.3	Collegamenti elettrici	21	8	Accessori	28
3.4	Descrizione dei collegamenti	21	9	Caratteristiche tecniche	28
3.5	Note sui collegamenti	22			
3.6	Verifica dei collegamenti	23			
4	Regolazioni	24		Dichiarazione CE di conformità	115
4.1	Modi di funzionamento	25			

1) Avvertenze

Questo manuale di istruzioni contiene importanti informazioni riguardanti la sicurezza per l'installazione, è necessario leggere tutte le istruzioni prima di procedere all'installazione. Conservare con cura questo manuale anche per utilizzi futuri.

Considerando i pericoli che si possono verificare durante l'installazione e l'uso, per la massima sicurezza è necessario che l'installazione avvenga nel pieno rispetto di leggi, norme e regolamenti. In questo capitolo verranno riportate avvertenze di tipo generico; altre importanti avvertenze sono presenti nei capitoli "3.1 Verifiche preliminari"; "6 Collaudo e messa in servizio".

⚠ Secondo la più recente legislazione europea, l'automazione di una porta o cancello ricade in quanto previsto dalla Direttiva 98/37/CE (Direttiva Macchine) e nel particolare, alle norme: EN 13241-1 (norma armonizzata); EN 12445; EN 12453 ed EN 12635, che consentono di dichiarare la conformità alla direttiva macchine.

Ulteriori informazioni, linee guida all'analisi dei rischi ed alla realizzazione del Fascicolo Tecnico, sono disponibili su: "www.niceforyou.com". Il presente manuale è destinato solamente al personale tecnico qualificato per l'installazione. Salvo lo specifico allegato da staccare a cura dell'installatore "Istruzioni ed avvertenze destinate all'utilizzatore" nessuna altra informazione contenuta nel presente fascicolo può essere considerata d'interesse per l'utilizzatore finale!

- L'uso diverso da quanto previsto in queste istruzioni è vietato; usi impropri possono essere causa di pericoli o danni a persone e cose.
- Prima di iniziare l'installazione è necessario eseguire l'analisi dei rischi che comprende l'elenco dei requisiti essenziali di sicurezza previsti nell'allegato I della Direttiva Macchine, indicando le relative soluzioni adottate. Si ricorda che l'analisi dei rischi è uno dei documenti che costituiscono il fascicolo tecnico dell'automazione.
- Verificare la necessità di ulteriori dispositivi per completare l'automazione in base alla specifica situazione d'impiego ed ai pericoli presenti; devono essere considerati ad esempio i rischi di impatto, schiacciamento, cesoiamento, convogliamento, ecc., ed altri pericoli in genere.
- Non eseguire modifiche su nessuna parte se non previste nelle presenti istruzioni; operazioni di questo tipo possono solo causare malfunzionamenti; NICE declina ogni responsabilità per danni derivati da prodotti modificati.
- Durante l'installazione e l'uso evitare che parti solide o liquidi possano penetrare all'interno della centrale e di altri dispositivi aperti; eventualmente rivolgersi al servizio di assistenza NICE; l'uso in queste situazioni può causare situazioni di pericolo.
- L'automatismo non può essere utilizzato prima di aver effettuato la messa in servizio come specificato nel capitolo: "6 Collaudo e messa in servizio".
- Il materiale dell'imballaggio deve essere smaltito nel pieno rispetto della normativa locale.
- Nel caso di guasto non risolvibile facendo uso delle informazioni riportate nel presente manuale, interpellare il servizio di assistenza NICE.
- Qualora si verificano interventi di interruttori automatici o di fusibili, prima di ripristinarli è necessario individuare ed eliminare il guasto.
- Prima di accedere ai morsetti interni al coperchio scollegare tutti i circuiti di alimentazione; se il dispositivo di sconnessione non è a vista apporvi un cartello: "ATTENZIONE MANUTENZIONE IN CORSO".

Avvertenze particolari sull'idoneità all'uso di questo prodotto in relazione alla Direttiva "Macchine" 98/37/CE (ex 89/392/CEE):

- Questo prodotto viene immesso sul mercato come "componente di macchina" e quindi costruito per essere incorporato in una macchina o per essere assemblato con altri macchinari al fine di realizzare "una macchina" ai sensi della Direttiva 98/37/CE solo in abbinamento agli altri componenti e nei modi così come descritto nel presente manuale di istruzioni. Come previsto dalla direttiva 98/37/CE si avverte che non è consentita la messa in servizio di questo prodotto finché il costruttore della macchina, in cui questo prodotto è incorporato, non l'ha identificata e dichiarata conforme alla direttiva 98/37/CE.

Avvertenze particolari sull'idoneità all'uso di questo prodotto in relazione alla Direttiva "Bassa Tensione" 73/23/CEE e successive modifiche 93/68/CEE:

- Questo prodotto risponde ai requisiti previsti dalla Direttiva "Bassa Tensione" se impiegato per l'uso e nelle configurazioni previste in questo manuale di istruzioni ed in abbinamento con gli articoli presenti nel catalogo prodotti di Nice S.p.a. Potrebbero non essere garantiti i requisiti se il prodotto è usato in configurazioni o con altri prodotti non previsti; è vietato l'uso del prodotto in queste situazioni finché chi esegue l'installazione non abbia verificato la rispondenza ai requisiti previsti dalla direttiva.

Avvertenze particolari sull'idoneità all'uso di questo prodotto in relazione alla Direttiva "Compatibilità Elettromagnetica" 89/336/CEE e successiva modifiche 92/31/CEE e 93/68/CEE:

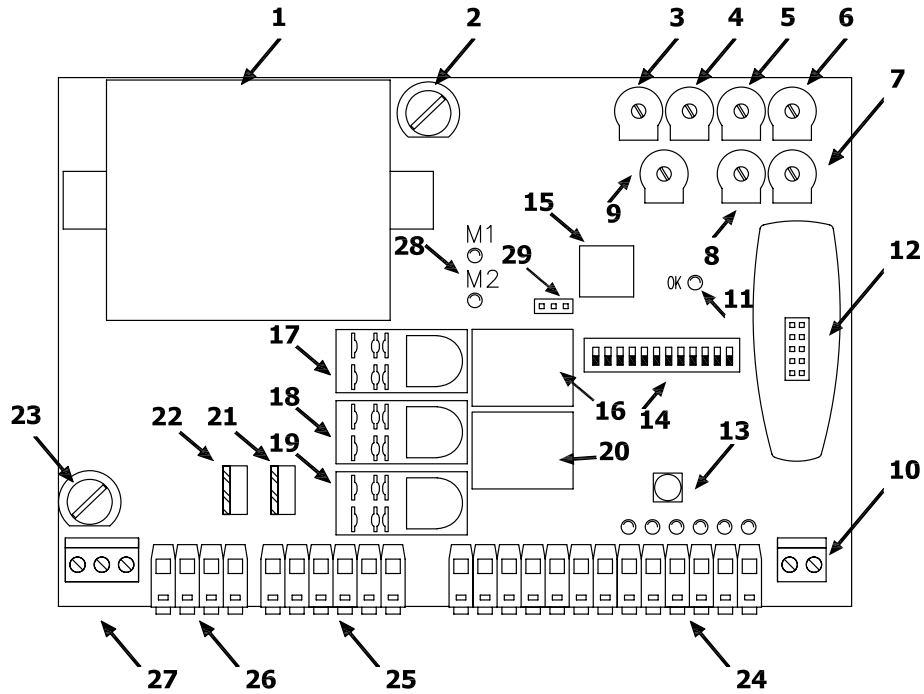
- Questo prodotto è stato sottoposto alle prove relative alla compatibilità elettromagnetica nelle situazioni d'uso più critiche, nelle configurazioni previste in questo manuale di istruzioni ed in abbinamento con gli articoli presenti nel catalogo prodotti di Nice S.p.a. Potrebbe non essere garantita la compatibilità elettromagnetica se il prodotto è usato in configurazioni o con altri prodotti non previsti; è vietato l'uso del prodotto in queste situazioni finché chi esegue l'installazione non abbia verificato la rispondenza ai requisiti previsti dalla direttiva.

2) Descrizione prodotto e destinazione d'uso

Questa centrale per l'automazione di cancelli e porte automatiche permette di comandare 2 motoriduttori in corrente alternata monofase. Nella centrale sono presenti una serie di Dip-switch (mini selettori) che permettono di attivare diverse funzioni, e dei trimmer che consentono di effettuare una serie di regolazioni.

Lo stato degli ingressi è segnalato da appositi Led posti vicino agli ingressi; un ulteriore Led presente vicino al microprocessore, segnala il corretto funzionamento della logica interna.

Per facilitare il riconoscimento delle parti, in **Fig.1** sono indicati i componenti più significativi.



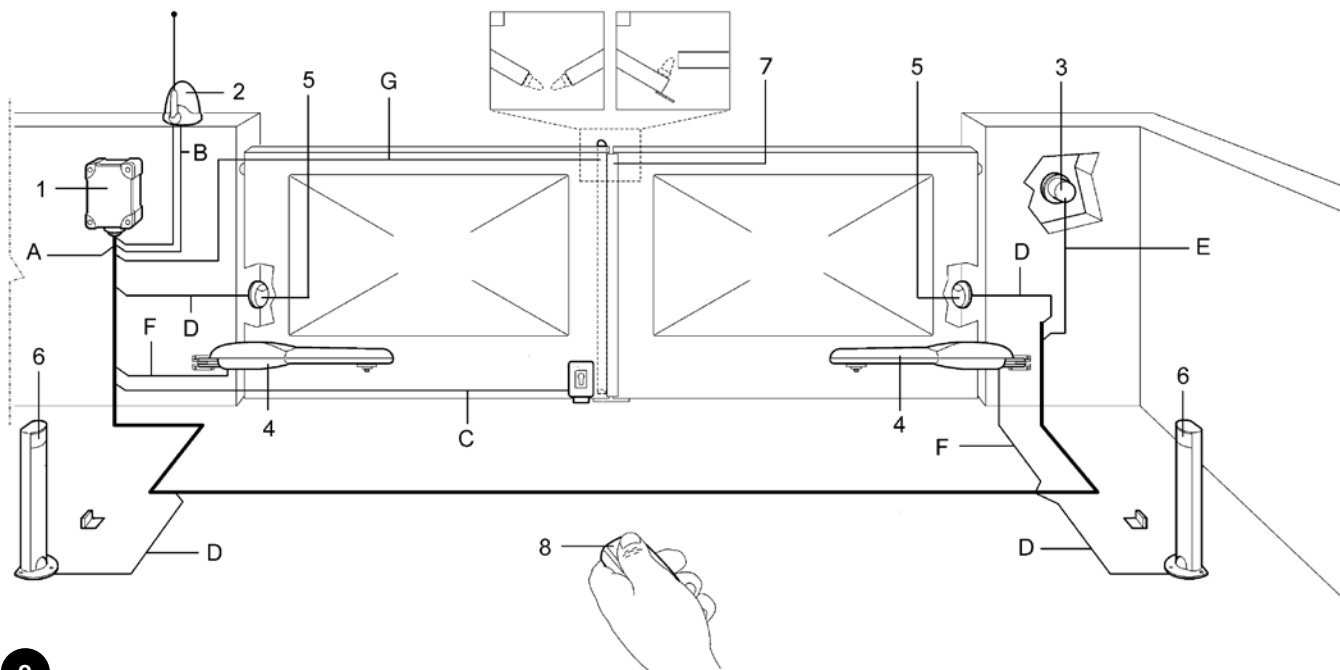
1

- | | | | |
|----|--|----|---|
| 1 | Trasformatore | 16 | Relè Elettroserratura |
| 2 | Fusibile di bassa tensione (500 mA F) | 17 | Relè comune motori |
| 3 | Trimmer di regolazione della forza (F) | 18 | Relè Luce di Cortesia |
| 4 | Trimmer di regolazione del Tempo Pausa (TP) | 19 | Relè direzione movimento Apre / Chiude |
| 5 | Trimmer di regolazione Tempo Ritardo in Apertura (TRA) | 20 | Relè Fototest |
| 6 | Trimmer di regolazione Tempo Lavoro motore 1 (TL1) | 21 | Triac motore 2 |
| 7 | Trimmer di regolazione Tempo Lavoro motore 2 (TL2) | 22 | Triac motore 1 |
| 8 | Trimmer di regolazione Tempo Ritardo in Chiusura (TRC) | 23 | Fusibile rapido (5A se 230 Vac) o (6.3A se 120 Vac) |
| 9 | Trimmer di Bilanciamento manovra (BAL) | 24 | Morsettiera ingressi / uscite di comando |
| 10 | Morsettiera per antenna | 25 | Morsettiera uscite motore |
| 11 | Led OK | 26 | Morsettiera uscite lampeggiante e luce di cortesia |
| 12 | Connettore innesto Radio | 27 | Morsettiera di alimentazione |
| 13 | Pulsante di Passo Passo | 28 | Led segnalazione funzionamento motori |
| 14 | Dip-Switch di selezione delle funzioni | 29 | Ponticello per scelta modalità di rallentamento (M-RAL) |
| 15 | Microprocessore | | |

2.1) Limiti d'impiego

I dati relativi alle prestazioni dei prodotti sono riportati nel capitolo "9 Caratteristiche tecniche" e sono gli unici valori che consentono la corretta valutazione dell'idoneità all'uso.

2.2) Impianto tipico



2

- | | |
|---|------------------------------|
| 1. Centrale A60 | 5. Coppia fotocellule FOTO |
| 2. Lampeggiante con antenna incorporata | 6. Coppia fotocellule FOTO 1 |
| 3. Selettore a chiave | 7. Bordo sensibile |
| 4. Motoriduttori | 8. Radio trasmettitore |

2.3) Elenco cavi

Nell'impianto tipico di figura 2 sono indicati anche i cavi necessari per i collegamenti dei vari dispositivi; in tabella 1 sono indicate le caratteristiche dei cavi.

⚠ I cavi utilizzati devono essere adatti al tipo di installazione; ad esempio si consiglia un cavo tipo H03VV-F per posa in ambienti interni oppure H07RN-F se posato all'esterno.

Tabella 1: elenco cavi

Collegamento	Tipo cavo	Lunghezza massima consentita
A: Linea elettrica di alimentazione	N°1 cavo 3x1,5mm ²	30m (nota 1)
B: Lampeggiante con antenna	N°1 cavo 2x0,5mm ²	20m
	N°1 cavo schermato tipo RG58	20m (consigliato minore di 5m)
C: Elettroserratura	N°1 cavo 2x1mm ²	20m
D: Fotocellule	N°1 cavo 2x0,25mm ² (Tx)	30m
	N°1 cavo 4x0,25mm ² (Rx)	30m
E: Selettore a chiave	N°1 cavo 4x0,25mm ²	30m
F: Collegamento motori	N°1 cavo 4x1,5mm ²	3m
G: Collegamento bordo sensibile	N°1 cavo 2x0,25mm ²	30m

Nota 1: se il cavo di alimentazione è più lungo di 30m occorre un cavo con sezione maggiore, ad esempio 3x2,5mm² ed è necessaria una messa a terra di sicurezza in prossimità dell'automazione.

3) Installazione

⚠ L'installazione deve essere effettuata da personale qualificato, nel rispetto di leggi, norme e regolamenti e di quanto riportato nelle presenti istruzioni.

3.1) Verifiche preliminari

Prima di procedere con l'installazione è necessario eseguire questi controlli:

- Verificare che tutto il materiale da utilizzare sia in ottimo stato, adatto all'uso e conforme alle norme.
- Verificare che la struttura del cancello sia adatta ad essere automatizzata.
- Verificare che i punti di fissaggio dei vari dispositivi siano in zone protette da urti e le superfici siano sufficientemente solide.
- Inserire appositi passacavi o passatubi solo nella parte inferiore della centrale, per nessun motivo le pareti laterali e quella superiore devono essere forati. I cavi devono entrare nella centrale solo dal lato inferiore!
- Inserire adeguati fermi meccanici ancorati a terra sia per la manovra di apertura che di chiusura.
- Evitare che le parti dell'automatismo possano venir immerse in acqua o in altre sostanze liquide.
- Non porre A60 vicino a fiamme o fonti di calore; in atmosfere potenzialmente esplosive, particolarmente acide o saline; questo può danneggiare A60 ed essere causa di malfunzionamenti o situazioni di pericolo.
- Nel caso sia presente una porta di passaggio interna all'anta oppure una porta sull'area di movimento dell'anta, occorre assicurarsi che non intralci la normale corsa ed eventualmente provvedere con un opportuno sistema di interblocco.

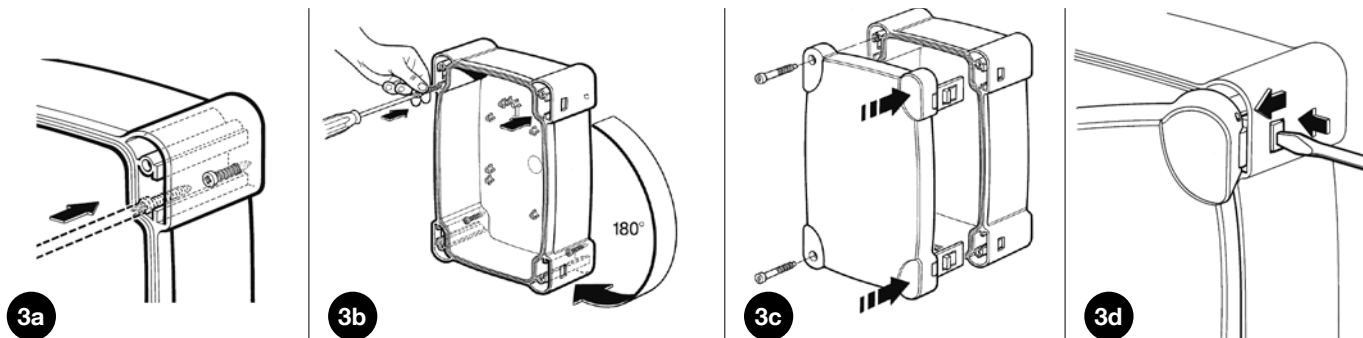
- Collegare la centrale ad una linea di alimentazione elettrica dotata di messa a terra di sicurezza.
- La linea di alimentazione elettrica deve essere protetta da un adeguato dispositivo magnetotermico e differenziale.
- Sulla linea di alimentazione dalla rete elettrica è necessario inserire un dispositivo di sconnessione dell'alimentazione (con categoria di sovratensione III cioè distanza fra i contatti di almeno 3,5mm) oppure altro sistema equivalente ad esempio una presa e relativa spina.
Se il dispositivo di sconnessione dell'alimentazione non è in prossimità dell'automazione deve disporre di un sistema di blocco contro la connessione non intenzionale o non autorizzata.

3.2) Fissaggio

Inserire le due viti negli appositi fori superiori facendole scorrere sulla guida, come fig. 3a avvitandole parzialmente. Ruotare di 180° la centrale e ripetere la stessa operazione con le altre 2 viti. Fissare a parete la centrale.

Inserire il coperchio dalla parte desiderata (con apertura a destra o sinistra), premere con forza in corrispondenza delle frecce.

Per togliere il coperchio premere con un cacciavite sul punto di incastro e contemporaneamente spingere verso l'alto.



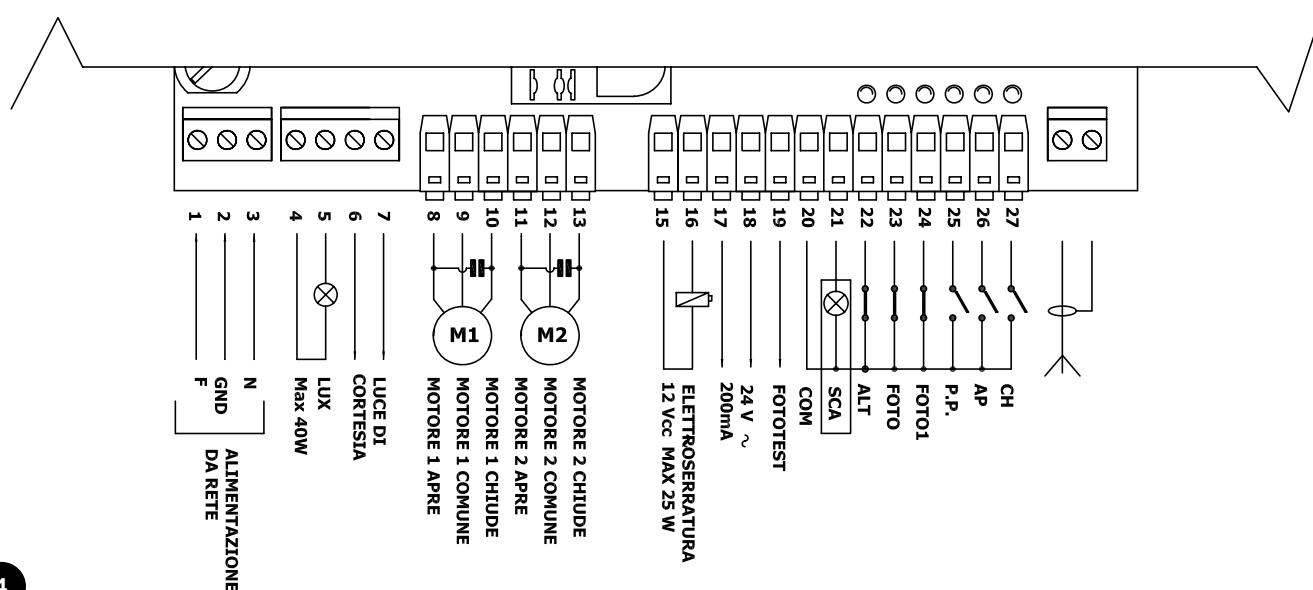
3.3) Collegamenti elettrici

⚠ Per garantire l'incolumità dell'operatore e per prevenire danni ai componenti, mentre si effettuano i collegamenti o si innestano le varie schede la centrale deve essere assolutamente spenta.

- Alimentare la centrale attraverso un cavo da 3 x 1,5 mm², se la distanza fra la centrale e la connessione all'impianto di terra supera i 30 mt è necessario prevedere un dispersore di terra in prossimità della centrale.
- Nei collegamenti della parte a bassissima tensione di sicurezza usare cavetti di sezione minima pari a 0,25 mm².
- Usare cavetti schermati se la lunghezza supera i 30 m collegando la calza a terra solo dal lato della centrale.
- Evitare di fare connessioni ai cavi in casse interrato anche se completamente stagne.
- Gli ingressi dei contatti di tipo Normalmente Chiuso (NC), se non usati, vanno ponticellati con "comune 24V" esclusi gli ingressi delle fotocelle nel caso sia inserita la funzione di fototest. Per ulteriori chiarimenti vedere paragrafo "Note sui collegamenti" nella parte "Fototest"
- Se per lo stesso ingresso ci sono più contatti di tipo Normalmente Chiuso (NC) vanno posti in SERIE tra di loro.
- Gli ingressi dei contatti di tipo Normalmente Aperto (NA) se non usati vanno lasciati liberi
- Se per lo stesso ingresso ci sono più contatti NA vanno posti in PARALLELO tra di loro.
- I contatti devono essere assolutamente di tipo meccanico e svincolati da qualsiasi potenziale, non sono ammessi collegamenti a stadi tipo quelli definiti "PNP", "NPN", "Open Collector" ecc.

Effettuare i collegamenti necessari seguendo lo schema di **Fig. 4** e la successiva descrizione dei collegamenti.

Si ricorda che vi sono delle normative precise da rispettare in modo rigoroso sia per quanto riguarda la sicurezza degli impianti elettrici che per quanto riguarda i cancelli automatici.



4

3.4) Descrizione dei collegamenti elettrici

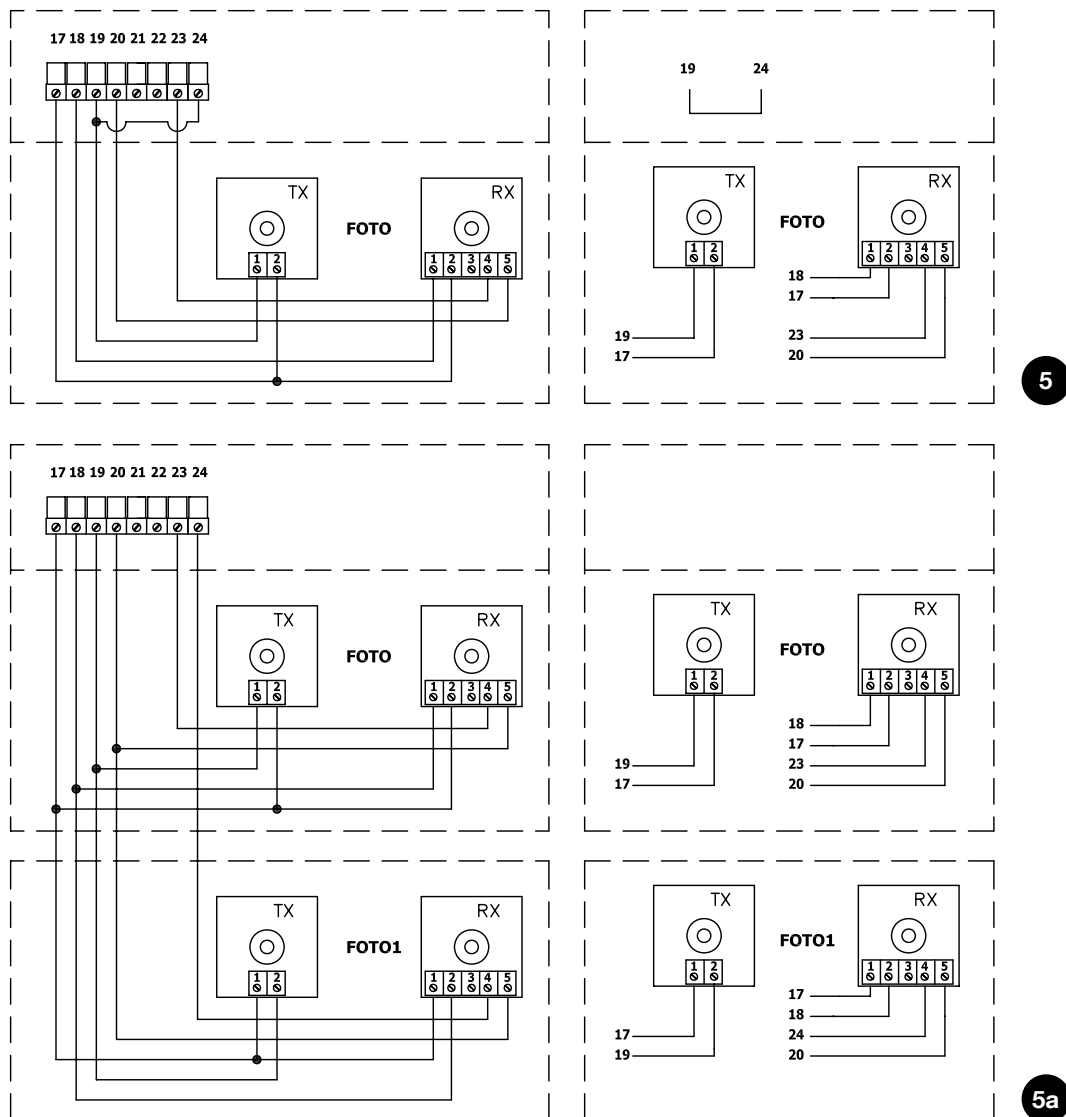
Riportiamo una breve descrizione dei possibili collegamenti della centrale verso l'esterno.

Morsetti	Funzione	Descrizione
1-2-3 :	Alimentazione =	Linea di alimentazione da rete
4-5 :	Lampeggiante =	Uscita per collegamento del lampeggiante a tensione di rete (Max. 40W)
6-7 :	Luce di cortesia =	Uscita a contatto pulito per collegamento luce di cortesia (Max. 5A)
8-9-10	Motore1 =	Uscita comando motore 1
11-12-13 :	Motore2 =	Uscita comando motore 2
15-16 :	Elettroserratura =	Uscita 12 Vcc per attivazione elettroserratura, potenza massima 25W
17-18 :	24 Vac =	Alimentazione servizi 24 Vac (Max. 200 mA)
19 :	Fototest =	Uscita fototest - Alimentazione "TX" delle fotocelle - (Max. 75 mA)
20 :	Comune =	Comune per tutti gli ingressi
21 :	Spia C.A. =	Uscita per Spia cancello aperto 24 Vac (Max. 2W)
22 :	Alt =	Ingresso con funzione di "Alt" (Stop e breve inversione)
23 :	Foto =	Ingresso per dispositivi di sicurezza
24 :	Foto1 =	Ingresso per altro dispositivo di sicurezza
25 :	Passo-Passo (PP) =	Ingresso per movimento ciclico ("Apre" - "Stop" - "Chiude" - "Stop")
26 :	Apre =	Ingresso per apertura
27 :	Chiude =	Ingresso per chiusura
	Antenna =	Ingresso per antenna ricevitore radio

3.5) Note sui collegamenti

La maggior parte dei collegamenti è estremamente semplice, buona parte sono collegamenti diretti ad un singolo utilizzatore o contatto, alcuni invece prevedono una connessione un po' più complessa:

Tutti i motori di tipo asincrono monofase richiedono un condensatore per il corretto funzionamento, alcuni motoriduttori, hanno già questo condensatore collegato internamente, altri invece richiedono il collegamento del condensatore esternamente. In questo caso il condensatore va collegato fra le fasi APRE e CHIUDE del motore. Per praticità è opportuno inserire il condensatore direttamente dentro alla centrale.



5

5a

Il "Fototest", aumenta l'affidabilità dei dispositivi di sicurezza, permettendo di raggiungere la "categoria 2" secondo la norma EN954-1 (ediz. 12/1996) per quanto riguarda l'insieme centrale e fotocellule di sicurezza.

Ogni volta che viene avviata una manovra vengono controllati i dispositivi di sicurezza coinvolti, solo se tutto è a posto la manovra ha inizio. Se invece il test non da esito positivo (fotocellula accecata dal sole, cavi in corto circuito ecc.) viene individuato il guasto e la manovra non viene eseguita.

Tutto questo è possibile:

- Impostando il Dip. 10 ON
- Collegando i dispositivi di sicurezza come in **fig. 5** se si utilizza solamente l'uscita FOTO o come in **fig. 5a** se si utilizza anche FOTO1.

I collegamenti prevedono di alimentare i trasmettitori delle fotocellule non direttamente dall'uscita dei servizi, ma tramite l'apposita uscita FOTOTEST. La corrente massima utilizzabile sull'uscita FOTOTEST è di 75mA (3 coppie di fotocellule).

- Alimentando i ricevitori direttamente dall'uscita servizi della centrale (morsetti 17-18).

Il test delle fotocellule avviene in questo modo: quando è richiesto un movimento, in primo luogo viene controllato che tutti i ricevitori interessati dal movimento diano il consenso, poi, viene spenta l'alimentazione ai trasmettitori e quindi verificato che tutti i ricevitori segnalino il fatto togliendo il loro consenso; infine viene riattivata l'alimentazione dei trasmettitori e quindi nuovamente verificato il consenso da parte di tutti i ricevitori. Solo se questa sequenza ha esito positivo, la manovra verrà avviata.

E' sempre bene inoltre attivare il sincronismo attraverso il taglio sui trasmettitori, degli appositi ponticelli; questo è l'unico metodo per garantire che due coppie di fotocellule non interferiscano tra loro. Verificare sul manuale delle fotocellule le istruzioni per il funzionamento "SINCRONIZZATO".

Nel caso un ingresso sottoposto a FOTOTEST non venga utilizzato (Esempio FOTO1) e si desideri comunque la funzione fototest occorre ponticellare l'ingresso non usato con l'uscita FOTOTEST (morsetti 19-24) vedi **fig. 5a**.

Se in un secondo momento non si desidera più utilizzare la funzione di Fototest, sarà sufficiente abbassare il Dip.10.

3.6) Verifica dei collegamenti

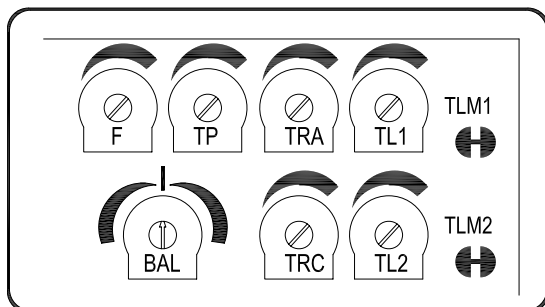
⚠ Le prossime operazioni vi porteranno ad agire su circuiti sotto tensione, la maggior parte dei circuiti sono sottoposti a bassissima tensione di sicurezza e quindi non pericolosa, alcune parti sono sottoposte a tensione di rete quindi ALTAMENTE PERICOLOSE! Prestare la massima attenzione a ciò che fate e NON OPERATE MAI DA SOLI!

- Alimentare la centrale e subito verificare che tra morsetti 17- 18 vi siano circa 24 Vac.
- Verificare che, dopo pochi istanti di lampeggio veloce, il led "OK" lampeggi ad una cadenza regolare.
- Ora verificare che i led relativi agli ingressi con contatti tipo NC siano accesi (tutte le sicurezze attive) e che i led relativi ad ingressi tipo NA siano spenti (nessun comando presente), se questo non avviene controllare i collegamenti e l'efficienza dei vari dispositivi. L'ingresso di ALT interviene spegnendo sia FCA che FCC
- Sbloccare le ante e portarle a metà della corsa poi bloccare, in questo modo le ante sono libere di muoversi sia in apertura che in chiusura.
- Ora bisognerà verificare se il movimento avviene nella direzione corretta cioè controllare la corrispondenza tra il movimento previsto dalla centrale e quello effettivo delle ante. Questa verifica è fondamentale, se la direzione è sbagliata in alcuni casi (ad esempio in modo semiautomatico) l'automatismo potrebbe in apparenza funzionare regolarmente infatti il ciclo APRE è simile al ciclo CHIUDE con la fondamentale differenza che i dispositivi di sicurezza verranno ignorati nella manovra di chiude, che normalmente è la più pericolosa, ed interverranno in apertura provocando una richiusura addosso all'ostacolo con effetti disastrosi!
- Per verificare se il senso di rotazione è esatto basta dare un breve impulso sull'ingresso Apre e verificare se l'automatismo si muova nel senso dell'apertura; nel caso il movimento sia avvenuto in senso errato occorre:
 - Spegnerne alimentazione
 - Invertire i fili di alimentazione del o dei motori sbagliati. (Nel caso di M1 invertire il collegamento dei morsetti 8-10 , mentre nel caso di M2 invertire il collegamento dei morsetti 11-13).
 - Eseguito quanto descritto conviene riprovare se il senso di rotazione è corretto ripetendo l'ultimo punto.

Il led "OK" posizionato al centro della scheda vicino al microprocessore, ha il compito di segnalare lo stato della logica interna: un lampeggio regolare ed alla cadenza di 1 secondo indica che il microprocessore interno è attivo ed è in attesa di comandi. Quando invece lo stesso microprocessore riconosce una variazione dello stato di un ingresso (sia ingresso di comando che dip_switch delle funzioni) genera un doppio lampeggio veloce, questo anche se la variazione non provoca effetti immediati. Un lampeggio molto veloce per 3 secondi indica che la centrale è appena stata alimentata e sta eseguendo un test delle parti interne, infine un lampeggio non costante indica che il test non è andato a buon fine e quindi c'è un guasto.

4) Regolazioni

Le regolazioni sono effettuabili attraverso dei trimmer che agiscono modificando i seguenti parametri:



• TEMPO LAVORO (TL1 TL2):

Regolano la durata massima della manovra di apertura o chiusura del motore 1 (TL1) e del motore 2 (TL2).

La regolazione dei trimmer (TL1 TL2) ha effetto dalla prima manovra di apertura da cancello chiuso (tempo Lavoro delle 2 ante terminato), quindi regolare sempre i trimmer nella condizione di cancello chiuso. Se si utilizzano motoriduttori con finecorsa elettrico o fermi meccanici, si consiglia di regolare i finecorsa o i fermi per la massima apertura o chiusura delle ante desiderata.

Per la regolazione dei tempi lavoro TL, selezionare il modo di funzionamento "Semiautomatico" ponendo in ON il dip-switch N°1 quindi regolare i trimmer TL a metà corsa. Con queste regolazioni eseguire un ciclo di apertura e di chiusura, eventualmente intervenire sulla regolazione dei trimmer TL in modo tale che il tempo sia sufficiente ad eseguire tutta la manovra e rimanga ancora un margine di 2 o 3 secondi sull'arresto dovuto ai finecorsa elettrici (su motori con finecorsa) o ai fermi meccanici.

Per controllare quando termina il tempo lavoro dei due motori verificare lo spegnimento dei led segnalazione funzionamento motori posti sulla centrale (Lo spegnimento del Led corrisponde con la fine del Tempo Lavoro del rispettivo motore).

Nel caso in cui anche ponendo i trimmer TL al massimo non si ottenga un tempo sufficiente ad eseguire l'intera manovra, tagliare il ponticello TLM1 per aumentare il Tempo lavoro del motore1 e tagliare il ponticello TLM2 per aumentare il Tempo lavoro del motore2.

Questi ponticelli sono posti a lato del corrispettivo trimmer.

Nel caso in cui si utilizzi la funzione di RALLENTAMENTO (Dip_Switch 8 On), sarà necessario regolare i trimmer tempo lavoro in modo che i motori inizino la fase di rallentamento circa 50 – 70 cm prima dell'arrivo sugli arresti meccanici di apertura o chiusura.

• TEMPO RITARDO IN APERTURA (TRA) E IN CHIUSURA (TRC):

Se il cancello è composto da 2 ante che si possono incagliare nel caso in cui partano contemporaneamente o se in chiusura possono sovrapporsi, allora è necessario intervenire sulle regolazioni dei trimmer Tempo Ritardo Apertura (TRA) o Tempo Ritardo Chiusura (TRC) per ovviare a questi problemi.

Quindi (TRA) va regolato in modo che l'anta mossa dal 2° motore sia già fuori dalla zona di movimento dell'altra anta quando parte l'anta mossa dal 1° motore.

Il trimmer (TRC) deve essere regolato in modo che in chiusura l'anta del 2° motore giunga in battuta quando il 1° motore ha già terminato la manovra di chiusura.

• TEMPO PAUSA (TP):

Nel funzionamento "automatico" regola il tempo tra il termine della manovra di apertura e l'inizio della manovra di chiusura.

• FORZA (F):

Particolare attenzione deve essere posta nella regolazione della del trimmer FORZA (F), questa regolazione può influire sul grado di sicurezza dell'automazione. Per la regolazione occorre procedere per tentativi successivi misurando la forza applicata dall'anta e comparandola con quanto previsto dalle normative.

• BILANCIAMENTO tempi manovra (BAL):

Il trimmer di BILANCIAMENTO presente in questa centrale consente di differenziare il tempo Lavoro tra le manovre di apertura e chiusura delle ante.

Questo è utile quanto il motore ha velocità diverse nelle le due direzioni come ad esempio i motori oleodinamici o quando le ante del cancello sono sbilanciate in apertura o chiusura provocando sforzi diversi e richiedendo quindi tempi diversi per percorrere lo stesso spazio.

Quindi se il cancello è sbilanciato in chiusura la manovra di apertura può terminare prima dei fermi meccanici, si dovrà in questo caso ruotare il trimmer BAL in senso orario (AP) aumentando così il tempo lavoro di apertura fino a quando i rallentamenti iniziano nel punto prestabilito (50 cm prima del fermo meccanico) e la manovra duri per ulteriori 3 - 5 secondi dopo che le ante sono arrivate sui fermi meccanici.

Se invece il cancello è sbilanciato in apertura allora di dovrà bilanciarlo ruotando il trimmer BAL in senso antiorario (CH) dando più tempo alla manovra di chiusura.

Se il trimmer è posto esattamente al centro, le manovre di apre e di chiude avranno lo stesso tempo lavoro.

4.1) Modi di funzionamento

Nel funzionamento in modo manuale, l'ingresso APRE consente il movimento in apertura, l'ingresso CHIUDE consente il movimento in chiusura. Il PASSO-PASSO consente il movimento alternativamente in apertura e in chiusura.

Non appena cessa il comando in ingresso, il movimento si arresta. In apertura e chiusura il movimento si arresta quando viene a mancare l'ingresso di comando o il consenso dei dispositivi di sicurezza. Sia in apertura che in chiusura un intervento su ALT provoca sempre un immediato arresto del movimento. Una volta che un movimento si è arrestato è necessario far cessare il comando in ingresso prima che un nuovo comando possa far iniziare un nuovo movimento.

Nel funzionamento in uno dei modi automatici (semiautomatico, automatico o automatico + chiude sempre) un impulso di comando sull'ingresso APRE provoca il movimento in apertura. Un impulso su PASSO-PASSO provoca alternativamente apertura o chiusura. Un secondo impulso sul PASSO P. o sullo stesso ingresso che ha iniziato il movimento provoca uno Stop.

Sia in apertura che in chiusura un intervento su ALT provoca un immediato arresto del movimento con breve inversione.

Se in un ingresso di comando invece di un impulso viene mantenuto un segnale continuo si provoca uno stato di "prevalenza" in cui gli altri ingressi di comando rimangono disabilitati (**utile per collegare un orologio o un selettore Notte-Giorno**).

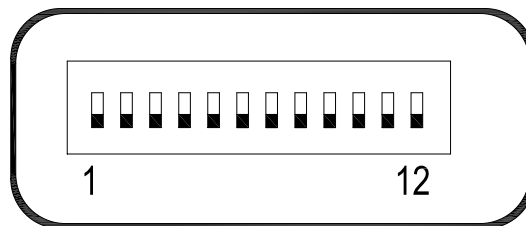
Nel caso fosse selezionato il modo di funzionamento automatico, dopo una manovra di apertura, viene eseguita una pausa, al termine, viene eseguita una chiusura. Se durante la pausa vi fosse un intervento di FOTO, il temporizzatore verrà ripristinato con un nuovo tempo pausa; se invece durante la pausa si interviene su ALT la funzione di richiusura viene cancellata e si passa in uno stato di STOP. In apertura l'intervento di FOTO non hanno alcun effetto mentre in chiusura l'intervento di FOTO provoca una inversione del moto poi una pausa quindi una richiusura.

5) Programmazioni

La centrale dispone di una serie di microinterruttori che permettono di attivare varie funzioni al fine di rendere l'impianto più adatto alle esigenze dell'utilizzatore e più sicuro nelle varie condizioni d'uso. Tutte le funzioni sono attivate ponendo il relativo dip-switch in posizione "On" mentre non sono inserite con il corrispondente dip-switch in "Off"; alcune funzioni non hanno una immediata efficacia ed hanno senso solo in determinate condizioni.

⚠ ATTENZIONE alcune delle funzioni programmabili solo legate ad aspetti della sicurezza, valutare con molta attenzione gli effetti di una funzione e verificare quale sia la funzione che dia la maggior sicurezza possibile.

Nella manutenzione di un impianto prima di modificare una funzione programmabile valutare il motivo per cui nella fase di installazione erano state fatte determinate scelte, quindi verificare se con la nuova programmazione la sicurezza ne risente.



5.1) Funzioni programmabili

Il dip-switch FUNZIONI permette di selezionare i vari modi di funzionamento e di inserire le funzioni desiderate secondo la seguente tabella:

Switch 1-2	Off Off	= Movimento "Manuale" cioè uomo presente
	On Off	= Movimento "Semiautomatico"
	Off On	= Movimento "Automatico" cioè chiusura automatica
	On On	= Movimento "Automatico + chiude sempre"
Switch 3	On	= Funzionamento Condominiale < non disponibile in modo manuale >
Switch 4	On	= Prelampeggio
Switch 5	On	= Richiudi 5" dopo Foto < se in automatico > o Chiudi dopo Foto < se in semiautomatico
Switch 6	On	= Sicurezza "Foto1" anche in apertura
Switch 7	On	= Colpo d'ariete
Switch 8	On	= Rallentamento
Switch 9	On	= Mantenimento pressione
Switch 10	On	= Fototest
Switch 11	On	= Modalità Luce di Cortesia impulsiva
Switch 12	On	= Chiude diventa Apre Pedonale

Nota 1: Alcune funzioni sono possibili in determinate condizioni, queste sono segnalate con le note tra i caratteri "<...>".

5.2) Descrizione delle funzioni

Riportiamo ora una breve descrizione delle funzioni che si possono inserire portando in "On" il relativo dip-switch:

- Switch 1-2:**
- Off Off = Movimento "Manuale" (Uomo Presente)
 - On Off = Movimento "Semiautomatico"
 - Off On = Movimento "Automatico"
(Chiusura Automatica)
 - On On = Movimento "Automatico + Chiude Sempre"

Nel funzionamento "Manuale" il movimento viene eseguito solo fino alla presenza del comando (tasto premuto).

In "Semiautomatico" basta un impulso di comando e viene eseguito tutto il movimento fino allo scadere del Tempo Lavoro o al raggiungimento del fincorsa. Nel funzionamento in modo "Automatico" dopo una apertura viene eseguita una pausa e quindi la chiusura avviene automaticamente. La funzione "Chiude Sempre" interviene dopo una mancanza di alimentazione, attivando automaticamente una manovra di chiusura preceduta da 5 secondi di prelampeggio.

Switch 3: On = Funzionamento Condominiale (non disponibile in modo manuale)

Nel funzionamento condominiale, una volta avviato un movimento in apertura la manovra non può essere interrotta da altri impulsi di comando su PASSO-PASSO o APRE fino alla fine del movimento in apertura. Nel movimento in chiusura un nuovo impulso di comando provoca l'arresto e l'inversione del movimento in apertura.

Switch 4: On = Prelampeggio

All'impulso di comando viene prima attivato il lampeggiante poi, dopo 5 secondi (2 se in manuale), inizia il movimento.

Switch 5: On = Richiudi 5" dopo Foto <se in automatico> o Chiudi dopo Foto <se in semiautomatico>

Questa funzione, se in Automatico permette di tenere il cancello aperto solo per il tempo necessario al transito, infatti al termine dell'intervento di FOTO la manovra si arresta. Dopo 5 secondi partirà automaticamente una manovra di chiusura. Se in semiautomatico, un intervento di FOTO nella manovra di chiusura attiva la chiusura automatica con il tempo pausa regolato.

Switch 6: On = Sicurezza (Foto1) anche in apertura

Normalmente la sicurezza "Foto1" è attiva solo nella manovra di chiusura, se lo switch N°6 viene posto "On" l'intervento del dispositivo di sicurezza provoca una interruzione del movimento anche in apertura.

Se in Semiautomatico od Automatico si avrà la ripresa del moto in apertura subito dopo il disimpegno.

Switch 7: On = Colpo d'ariete

Quando si impiegano attuatori reversibili, quindi il cancello non rimane chiuso con la sola spinta dei motori, diventa indispensabile installare una elettroserratura (vedere le istruzioni degli attrattori per le modalità d'uso).

Sull'elettroserratura si potrebbe così trovare applicata quella naturale spinta che tende a portare le ante in posizione leggermente aperta, talvolta questa spinta è così elevata da mantenere bloccato il meccanismo di scatto dell'elettroserratura.

Con la funzione colpo d'ariete inserita, prima di iniziare una manovra di apertura viene attivato un breve ciclo di chiude, che comunque non crea alcun effetto di movimento visto che le ante sono già sull'arresto meccanico di chiusura.

In questo modo quando l'elettroserratura viene attivata si troverà scarica da qualsiasi forza e quindi libera di scattare.

Switch 8: On = Rallentamento

Il rallentamento consiste in una riduzione della velocità al 30% della nominale, in modo da ridurre la forza di impatto nelle zone di apertura e chiusura del cancello.

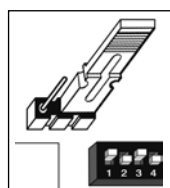
La funzione di rallentamento oltre che diminuire la velocità dell'automazione riduce del 70% la coppia dei motori.

In automazioni che richiedono una coppia elevata, questa riduzione coppia potrebbe provocare l'arresto dei motori.

Per questo motivo, la funzione non è attivabile su cancelli pesanti o con attriti elevati.

Una volta attivata la funzione di rallentamento sarà necessario agire sul trimmer Tempo Lavoro (TL) in quanto l'inizio del rallentamento è legato al Tempo Lavoro impostato. Quindi regolare il Tempo Lavoro affinché il rallentamento inizi circa 50 cm prima degli arresti meccanici in modo che la manovra duri dopo il fermo meccanico per ulteriori 3-5 secondi.

Sulla centrale è presente un ponticello (M-RAL) che consente di selezionare tra due modalità di RALLENTAMENTO, una con riduzione di coppia del 70% e una con riduzione di coppia del 60% da usare su cancelli di peso superiore.



Riduzione del 70% della coppia

Riduzione del 60% della coppia

Da notare che durante il rallentamento aumenta leggermente il rumore emesso dai motori.

Prima di iniziare con la regolazione dei rallentamenti leggere il paragrafo "4 Regolazioni" con particolare attenzione al funzionamento del trimmer di Bilanciamento (BAL).

Switch 9: On = Mantenimento pressione

Negli attuatori oleodinamici la spinta per mantenere chiuso il cancello è sviluppata in un circuito idraulico che rimane sempre sotto pressione.

Quando il tempo e l'usura riducono la tenuta del circuito idraulico può capitare che dopo qualche ora la pressione interna decada con conseguente rischio di leggera apertura delle ante del cancello. Se si inserisce la funzione "Mantenimento Pressione", ogni 4 ore in cui il cancello è chiuso viene attivata una breve manovra di chiude con il solo scopo di ricaricare la pressione del circuito idraulico.

Switch 10: On = Fototest

Questa funzione permette di eseguire ad ogni inizio manovra un controllo dell'efficienza delle fotocellule. Vedere capitolo FOTOTEST.

Switch 11: On = Luce di cortesia impulsiva

In questa modalità il contatto pulito dell'uscita Luce di Cortesia rimarrà chiuso per 1sec. all'inizio di ogni manovra di apertura o chiusura consentendo di dare un impulso ad un eventuale timer esterno.

Switch 12: On = CHIUDE diventa APRE Pedonale

In questo modo l'ingresso CHIUDE perde la sua funzionalità base e diventa un ingresso di Passo-Passo Pedonale che consente di aprire solamente l'anta del cancello comandata dal motore 2 permettendo il transito ad un pedone.

E' da precisare che il ciclo di apre pedonale si attiva solo partendo da cancello chiuso se invece il cancello è in movimento o comunque aperto l'impulso sull'ingresso non ha alcun effetto.

6) Collaudo

Terminate le verifiche e le regolazioni è possibile passare al collaudo dell'impianto.

⚠ Il collaudo dell'automazione deve essere eseguito da personale qualificato ed esperto che dovrà farsi carico di stabilire le prove previste in funzione del rischio presente.

Il collaudo è la parte più importante di tutta la realizzazione dell'automazione. Ogni singolo componente, ad esempio motore, arresto di emergenza, fotocellule ecc. può richiedere una specifica fase di collaudo e per questo si consiglia di seguire le procedure riportate nei rispettivi manuali di istruzioni.

Per il collaudo della centrale eseguire la seguente sequenza di operazioni:

1. Selezione funzioni:
 - Impostare ON il Dip Switch N°1 (Funzionamento semiautomatizzato) e OFF i rimanenti
2. Premere e il tasto Apre e verificare che:
 - si attivi il lampeggiante
 - inizi una manovra di apertura
 - il movimento si arresti, al raggiungimento del fermo meccanico di apertura.
3. Premere il tasto Chiude e verificare che:
 - si attivi il lampeggiante
 - parta una manovra di chiusura
 - il movimento si arresti, al raggiungimento del fermo meccanico di chiusura.
4. Far partire una manovra di apertura e verificare che durante la manovra l'intervento di un dispositivo:
 - Collegato all'ingresso Alt, provochi l'arresto immediato del movimento con breve inversione
 - Collegato all'ingresso Foto, non abbia nessun effetto

5. Far partire una manovra di chiusura e verificare che durante la manovra l'intervento di un dispositivo:
 - Collegato all'ingresso Alt, provochi l'arresto immediato del movimento con breve inversione
 - Collegato all'ingresso Foto, provochi la fermata e l'inversione della manovra
 - Collegato all'ingresso Foto1, provochi la fermata e l'inversione della manovra.
6. Sugli ingressi collegati, verificare che l'attivazione dell'ingresso provochi un passo nella sequenza:
 - Ingresso Passo-Passo: Sequenza = Apre – Stop – Chiude – Stop
 - Ingresso Apre: Sequenza = Apre – Stop – Apre – Stop
 - Ingresso Chiude: Sequenza = Chiude – Stop - Chiude – Stop
7. Se si utilizza la funzione fototest verificare l'efficienza del test:
 - Interrompere la fotocellula Foto, quindi far partire una manovra e verificare che questa non venga eseguita
 - Interrompere la fotocellula Foto1, quindi far partire una manovra e verificare che questa non venga eseguita
 - Cortocircuitare il contatto della fotocellula Foto, quindi far partire una manovra e verificare che questa non venga eseguita
 - Cortocircuitare il contatto della fotocellula Foto1, quindi far partire una manovra e verificare che questa non venga eseguita
8. Eseguire le prove per la rilevazione delle Forze di Impatto come previsto della norma EN 12445.

Se al termine del collaudo vengono attivate ulteriori funzioni che possono ridurre la sicurezza dell'impianto, è necessario effettuare un collaudo specifico di tali funzioni.

6.1) Messa in servizio

La messa in servizio può avvenire solo dopo aver eseguito con esito positivo tutte le fasi di collaudo della centrale e degli altri dispositivi presenti.

E' vietata la messa in servizio parziale o in situazioni "provvisorie".

1. Realizzare e conservare per almeno 10 anni il fascicolo tecnico dell'automazione che dovrà comprendere almeno: disegno complessivo dell'automazione, schema dei collegamenti elettrici, analisi dei rischi e relative soluzioni adottate, dichiarazione di conformità del fabbricante di tutti i dispositivi utilizzati (per A60 utilizzare la Dichiarazione CE di conformità allegata); copia del manuale di istruzioni per l'uso e del piano di manutenzione dell'automazione.
2. Apporre sul cancello una targhetta contenente almeno i seguenti dati: tipo di automazione, nome e indirizzo del costruttore (responsabile della "messa in servizio"), numero di matricola, anno di costruzione e marchio "CE".
3. Fissare in maniera permanente in prossimità del cancello un'etichetta o una targa con indicate le operazioni per lo sblocco e la manovra manuale.
4. Realizzare e consegnare al proprietario la dichiarazione di conformità dell'automazione.
5. Realizzare e consegnare al proprietario il manuale di "Istruzioni ed avvertenze per l'uso dell'automazione".
6. Realizzare e consegnare al proprietario il piano di manutenzione dell'automazione (che deve raccogliere tutte le prescrizioni sulla manutenzione dei singoli dispositivi installati).
7. Prima di mettere in servizio l'automatismo informare adeguatamente ed in forma scritta il proprietario (ad esempio sul manuale di istruzioni ed avvertenze per l'uso dell'automazione) sui pericoli ed i rischi residui ancora presenti.

7) Manutenzione e smaltimento

⚠ In questo capitolo sono riportate le informazioni per la realizzazione del piano di manutenzione e lo smaltimento di A60.

7.1) Manutenzione

Per mantenere costante il livello di sicurezza e per garantire la massima durata dell'intera automazione è necessaria una manutenzione regolare.

La manutenzione deve essere effettuata nel pieno rispetto delle prescrizioni sulla sicurezza del presente manuale e secondo quanto previsto dalle leggi e normative vigenti.

Per gli altri dispositivi diversi da **A60** seguire quanto previsto nei rispettivi piani manutenzione.

1. E' necessaria una manutenzione programmata al massimo entro

6 mesi o al massimo dopo 10.000 manovre dalla precedente manutenzione.

2. Scollegare qualsiasi sorgente di alimentazione elettrica.
3. Verificare lo stato di deterioramento di tutti i materiali che compongono l'automazione con particolare attenzione a fenomeni di erosione o di ossidazione delle parti strutturali; sostituire le parti che non forniscono sufficienti garanzie.
4. Ricollegare le sorgenti di alimentazione elettrica ed eseguire tutte le prove e le verifiche previste nel paragrafo " 6 Collaudo".

7.2) Smaltimento

Come per l'installazione, anche al termine della vita di questo prodotto, le operazioni di smantellamento devono essere eseguite da personale qualificato.

Questo prodotto è costituito da vari tipi di materiali, alcuni possono essere riciclati altri devono essere smaltiti; informatevi sui sistemi di riciclaggio o smaltimento previsti dai regolamenti locali per questa categoria di prodotto.

⚠ Alcune parti del prodotto possono contenere sostanze inquinanti o pericolose, se disperse potrebbero provocare effetti dannosi sull'ambiente e sulla salute umana.

Come indicato dal simbolo di figura è vietato gettare questo prodotto nei rifiuti domestici. Eseguire la "raccolta separata" per lo smaltimento secondo i metodi previsti dai regolamenti locali; oppure riconsegnare il prodotto al venditore nel momento dell'acquisto di un nuovo prodotto equivalente.



Regolamenti locali possono prevedere pesanti sanzioni in caso di smaltimento abusivo di questo prodotto.

8) Accessori

SCHEDA "RADIO"

Nelle centrale è predisposto un connettore per l'inserimento di una scheda radio con innesto SM, che permette di agire sugli ingressi in modo da comandare la centrale a distanza tramite un trasmettitore.

uscita 1 P.P.
uscita 2 Apre Pedonale
uscita 3 Apre
uscita 4 Chiude

9) Caratteristiche tecniche

Con lo scopo di migliorare i propri prodotti, Nice S.p.a si riserva il diritto di modificare le caratteristiche tecniche in qualsiasi momento e senza preavviso pur mantenendo funzionalità e destinazione d'uso.

Tutte le caratteristiche tecniche riportate si riferiscono alla temperatura ambientale di 20°C (±5°C).

Modello:	A60	A60/V1
Alimentazione	230 Vac ± 10%, 50 - 60 Hz	120 Vac ± 10%, 50 - 60 Hz
Potenza massima attuatori	300 W [1,3 A]	300 W [2,5 A]
Potenza massima lampeggiante	100W	
N° massimo cicli ora	illimitati	
N° massimo cicli consecutivi	illimitati	
Corrente massima servizi (24 Vac)	200 mA	
Corrente massima uscita fototest	75 mA	
Potenza massima spia SCA (24Vac)	2 W	
Potenza massima elettroserratura 12 Vac	15 VA	
Tempo lavoro	da 2,5 a 40 sec. (da 40 a 80 sec. con TLM)	
Tempo pausa	da 5 a 80 sec.	
Tempo ritardo apertura TRA	0 oppure da 2.5 a 12 sec.	
Tempo ritardo chiusura TRC	0 oppure da 2.5 a 12 sec.	
Tempo bilanciamento BAL	da 0 a 8 sec.	
Regolazione forza	da 0 al 100 %	
Temperatura di funzionamento	-20 ÷ 50 °C	
Dimensioni	280 x 220 x 110 mm	
Peso	1,9 kg	
Grado di protezione	IP 55 (con contenitore integro)	

Istruzioni ed avvertenze destinate all'utilizzatore della A60

• **Prima di usare per la prima volta l'automazione**, fatevi spiegare dall'installatore l'origine dei rischi residui, e dedicate qualche minuto alla lettura del manuale di **istruzioni ed avvertenze per l'utilizzatore** consegnatovi dall'installatore. Conservate il manuale per ogni dubbio futuro e consegnatelo ad un eventuale nuovo proprietario dell'automazione.

• **La vostra automazione è un macchinario che esegue fedelmente i vostri comandi**; un uso incosciente ed improprio può farlo diventare pericoloso: non comandate il movimento dell'automazione se nel suo raggio di azione si trovano persone, animali o cose.

• **Bambini**: un impianto di automazione garantisce un alto grado di sicurezza, impedendo con i suoi sistemi di rilevazione il movimento in presenza di persone o cose, e garantendo un'attivazione sempre prevedibile e sicura. È comunque prudente vietare ai bambini di giocare in prossimità dell'automazione e per evitare attivazioni involontarie non lasciare i telecomandi alla loro portata: **non è un gioco!**

• **Le fotocellule non sono un dispositivo di sicurezza** ma soltanto un dispositivo ausiliario alla sicurezza. Sono costruite con tecnologia ad altissima affidabilità ma possono, in situazioni estreme, subire malfunzionamenti o addirittura guastarsi ed in certi casi il guasto potrebbe non essere subito evidente.

Per questi motivi, e comunque per buona regola:

- Il transito è consentito solo se il cancello o portone è completamente aperto e con ante ferme.
- **E' ASSOLUTAMENTE VIETATO** transitare mentre il cancello o portone si sta chiudendo!

Verificare periodicamente il corretto funzionamento delle fotocellule e far eseguire i controlli di manutenzione previsti, almeno ogni 6 mesi.

• **Anomalie**: Non appena notate qualunque comportamento anomalo da parte dell'automazione, togliete alimentazione elettrica all'impianto ed eseguite lo sblocco manuale. Non tentate da soli alcuna riparazione, ma richiedete l'intervento del vostro installatore di fiducia: nel frattempo l'impianto può funzionare come un'apertura non automatizzata, una volta sbloccato il motoriduttore come descritto più avanti.

• **Manutenzione**: Come ogni macchinario la vostra automazione ha bisogno di una manutenzione periodica affinché possa funzionare più a lungo possibile ed in completa sicurezza. Concordate con il vostro installatore un piano di manutenzione con frequenza periodica; Nice consiglia un intervento ogni 6 mesi per un normale utilizzo domestico, ma questo periodo può variare in funzione dell'intensità d'uso. Qualunque intervento di controllo, manutenzione o riparazione deve essere eseguito solo da personale qualificato.

• Anche se ritenete di saperlo fare, non modificate l'impianto ed i parametri di programmazione e di regolazione dell'automazione: la responsabilità è del vostro installatore.

• Il collaudo, le manutenzioni periodiche e le eventuali riparazioni devono essere documentate da chi le esegue e i documenti conservati dal proprietario dell'impianto.

Gli unici interventi che vi sono possibili e vi consigliamo di effettuare periodicamente sono la pulizia dei vetri delle fotocellule e la rimozione di eventuali foglie o sassi che potrebbero ostacolare l'automatismo. Per impedire che qualcuno possa azionare il cancello, prima di procedere, ricordatevi di **sbloccare l'auto-**

matismo (come descritto più avanti) e di utilizzare per la pulizia solamente un panno leggermente inumidito con acqua.

• **Smaltimento**: Al termine della vita dell'automazione, assicuratevi che lo smantellamento sia eseguito da personale qualificato e che i materiali vengano riciclati o smaltiti secondo le norme valide a livello locale.

• **In caso di rotture o assenza di alimentazione**: Attendendo l'intervento del vostro installatore, o il ritorno dell'energia elettrica se l'impianto non è dotato di batterie tampone, l'automazione può essere azionata come una qualunque apertura non automatizzata. Per fare ciò è necessario eseguire lo sblocco manuale (unico intervento consentito all'utente sull'automazione): tale operazione è stata particolarmente studiata da Nice per assicurarvi sempre la massima facilità di utilizzo, senza uso di attrezzi particolari o necessità di sforzo fisico.

• **Sostituzione pila del telecomando**: se il vostro radiocomando dopo qualche tempo vi sembra funzionare peggio, oppure non funzionare affatto, potrebbe semplicemente dipendere dall'esaurimento della pila (a seconda dell'uso, possono trascorrere da diversi mesi fino ad oltre un anno). Ve ne potete accorgere dal fatto che la spia di conferma della trasmissione non si accende, è fioca, oppure si accende solo per un breve istante. Prima di rivolgervi all'installatore provate a scambiare la pila con quella di un altro trasmettitore eventualmente funzionante: se questa fosse la causa dell'anomalia, sarà sufficiente sostituire la pila con altra dello stesso tipo. Le pile contengono sostanze inquinanti: non gettarle nei rifiuti comuni ma utilizzare i metodi previsti dai regolamenti locali.



Sommaire:**page**

1	Avertissements	31	5	Programmation	39
2	Description du produit	32	5.1	Fonctions programmables	39
2.1	Limites d'utilisation	33	5.2	Description des fonctions	40
2.2	Installation typique	33	6	Essai de fonctionnement	41
2.3	Liste des câbles	33	6.1	Mise en service	41
3	Installation	34	7	Maintenance et mise au rebut	42
3.1	Contrôles préliminaires	34	7.1	Maintenance	42
3.2	Fixation	34	7.2	Mise au rebut	42
3.3	Connexions électriques	35	8	Accessoires	42
3.4	Description des connexions	35	9	Caracteristiques techniques	42
3.5	Notes sur les connexions	36			
3.6	Vérification des connexions	37			
4	Réglages	38			
4.1	Modes de fonctionnement	39			

1) Avertissements

Cette notice technique contient des informations importantes concernant la sécurité pour l'installation, il faut lire toutes les instructions avant de procéder à l'installation. Conserver soigneusement cette notice pour d'éventuelles consultations futures.

Compte tenu des dangers qui peuvent apparaître durant l'installation et l'utilisation, il faut, pour garantir une sécurité optimale, que l'installation soit réalisée en totale conformité avec les lois, normes et règlements. Dans ce chapitre, nous donnons des recommandations d'ordre général; d'autres recommandations importantes se trouvent dans les chapitres "3.1 Contrôles préliminaires"; "6 Essai et mise en service".

⚠ D'après la législation européenne la plus récente, l'automatisation d'une porte ou d'un portail possède les caractéristiques prévues par la directive 98/37/CE (directive Machines) et en particulier par les normes: EN 13241- 1 (norme harmonisée); EN 12445; EN 12453 et EN 12635, qui permettent de déclarer la conformité à la directive «Machines».

D'autres informations et les conseils pour l'analyse des risques et la réalisation du dossier technique sont disponibles sur le site:

www.niceforyou.com. La présente notice est destinée uniquement au personnel technique qualifié pour l'installation. À part l'encart spécifique «Instructions et recommandations destinées à l'utilisateur» qui sera détaché par l'installateur, aucune autre information continue dans la présente notice ne peut être considérée comme intéressante pour l'utilisateur final!

- Une utilisation différente de ce qui est prévu dans cette notice est interdite; des utilisations impropres peuvent être source de dangers ou de dommages aux personnes et aux choses.
- Avant de commencer l'installation, il faut effectuer l'analyse des risques comprenant la liste des exigences essentielles de sécurité par l'annexe I de la directive Machines, en indiquant les solutions adoptées.

Nous rappelons que l'analyse des risques est l'un des documents qui constituent le «dossier technique» de l'automatisation.

- Vérifier la nécessité d'autres dispositifs pour compléter l'automatisation suivant les conditions spécifiques de l'application et les risques présents; il faut considérer par exemple les risques d'impact, écrasement, cisaillement, coincement, etc., et d'autres dangers en général.
- N'effectuer de modifications sur aucune des parties si elles ne sont pas prévues dans la présente notice technique. Des opérations de ce type entraîneront obligatoirement des problèmes de fonctionnement. NICE décline toute responsabilité en cas de dommages dérivant de produits modifiés.
- Pendant l'installation et l'utilisation, éviter que des parties solides ou liquides puissent pénétrer à l'intérieur de la logique de commande ou d'autres composants ouverts; s'adresser éventuellement au service d'assistance NICE; l'utilisation dans de telles circonstances peut créer des situations de danger.
- L'automatisme ne peut pas être utilisé avant d'avoir effectué la mise en service comme l'explique le chapitre: «6 Essai et mise en service».
- Les matériaux d'emballage doivent être mis au rebut dans le plein respect des normes locales en vigueur.
- En cas de pannes qui ne peuvent pas être résolues avec les informations fournies dans cette notice technique, contacter le service après-vente NICE.
- Si des interrupteurs automatiques ou des fusibles interviennent, avant de les réarmer il faut identifier la cause de leur déclenchement et l'éliminer.
- Avant d'accéder aux bornes situées sous le carter, déconnecter

tous les circuits d'alimentation; si le dispositif de déconnexion n'est pas visible, accrocher un panneau: «ATTENTION MAINTENANCE EN COURS».

Avertissements particuliers sur l'appropriation à l'utilisation de ce produit par rapport à la directive "Machines" 98/37/CE (ex 89/392/CEE):

- Ce produit est mis sur le marché comme «composant de machine» et est donc construit pour être incorporé dans une machine ou pour être assemblé avec d'autres appareillages afin de réaliser «une machine» selon les termes de la Directive 98/37/CE seulement en association avec les autres composants et dans les modes décrits dans cette notice technique. Comme le prévoit la directive 98/37/CE nous rappelons que la mise en service de ce produit n'est pas autorisée tant que le constructeur de la machine dans laquelle ce produit est incorporé ne l'a pas identifié et déclaré conforme à la directive 98/37/CE.

Avertissements particuliers sur l'appropriation à l'utilisation de ce produit par rapport à la directive «Basse tension» 73/23/CEE et à ses amendements ultérieurs 93/68/CEE:

- Ce produit est conforme aux exigences prévues par la directive «Basse tension» s'il est utilisé dans le but et les configurations prévues dans cette notice technique et en liaison avec les articles présents dans le catalogue des produits de Nice S.p.A.. Les exigences pourraient ne pas être garanties si le produit est utilisé dans des configurations ou avec d'autres produits non prévus; l'utilisation du produit dans ces situations est interdite tant que l'installateur n'a pas vérifié la conformité aux critères prévus par la directive.

Avertissements particuliers sur l'appropriation à l'utilisation de ce produit par rapport à la directive «Compatibilité électromagnétique» 89/336/CEE et à ses amendements ultérieurs 92/31/CEE et 93/68/CEE:

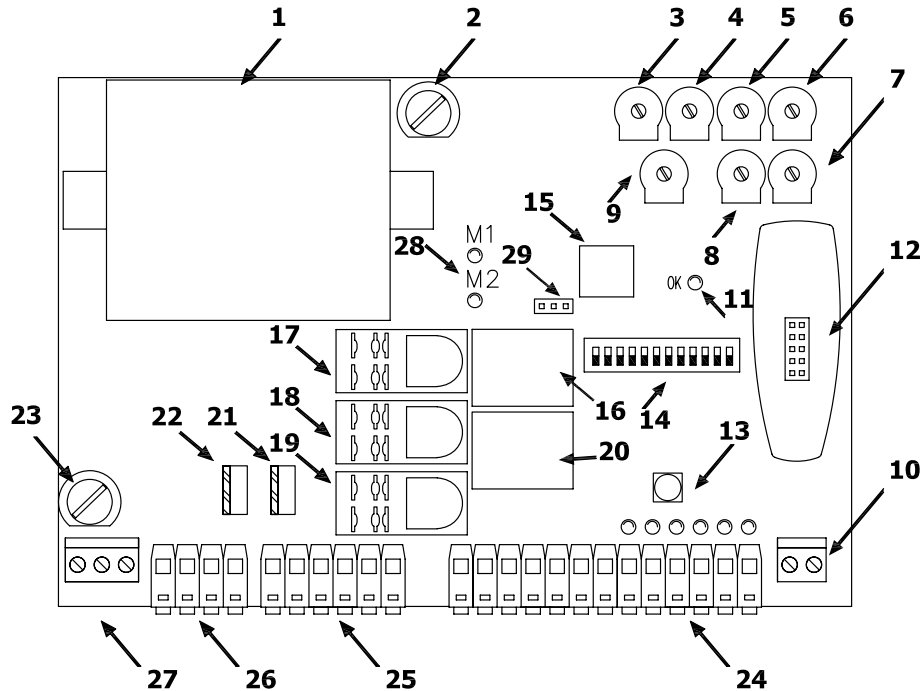
- Ce produit a été soumis aux essais relatifs à la compatibilité électromagnétique dans les situations d'utilisation les plus critiques, dans les configurations prévues dans cette notice technique et en liaison avec les articles présents dans le catalogue des produits de Nice S.p.A. La compatibilité électromagnétique pourrait ne pas être garantie si le produit est utilisé dans des configurations ou avec d'autres produits non prévus; l'utilisation du produit dans ces situations est interdite tant que l'installateur n'a pas vérifié la conformité aux critères requis par la directive.

2) Description du produit

Cette logique de commande pour l'automatisation de portails et portes automatiques, permet de commander 2 opérateurs en courant alternatif monophasé. Elle inclut en outre une série de "Dip-switchs" (mini sélecteurs) qui permettent d'activer différentes fonctions et des trimmers qui permettent d'effectuer une série de réglages.

L'état des entrées est signalé par des diodes électroluminescentes (Led) placées à proximité des entrées; une Led supplémentaire se trouve près du microprocesseur et signale le fonctionnement correct de la logique interne.

Pour faciliter l'identification des parties, la **fig.1** indique les principaux composants.



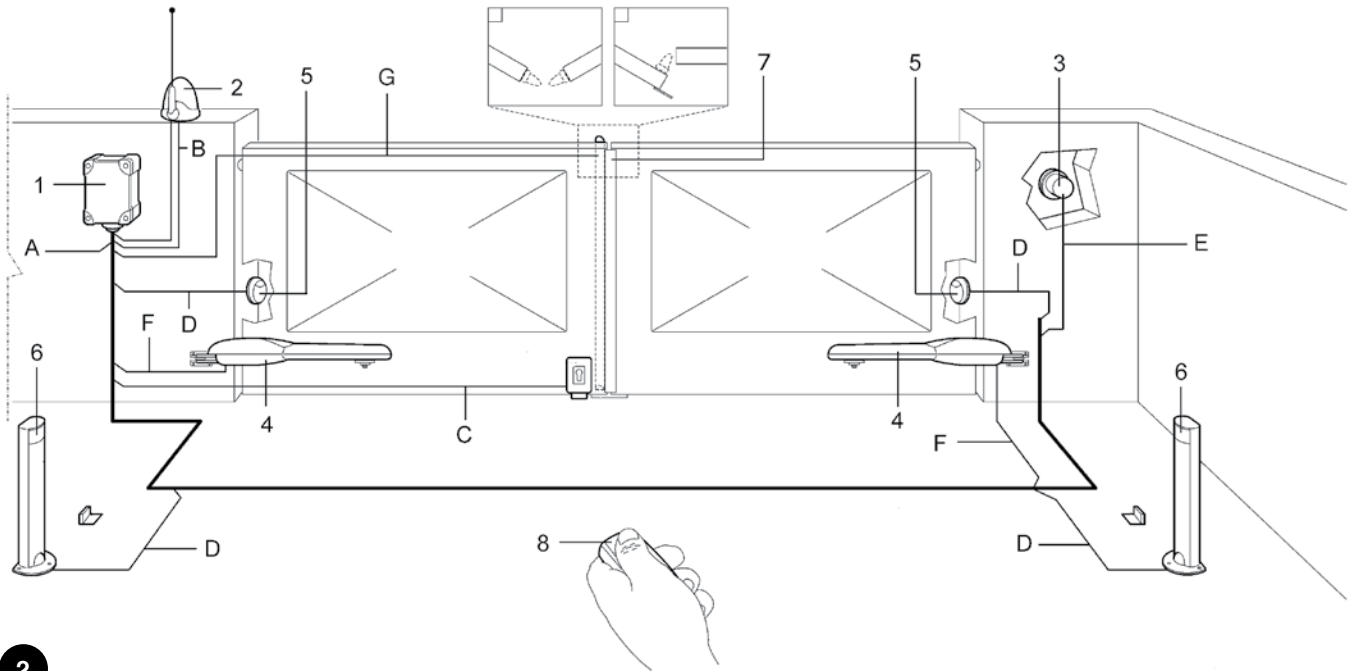
1

- | | |
|---|---|
| 1 Transformateur | 16 Relais Serrure électrique |
| 2 Fusible de basse tension (500 mA F) | 17 Relais Commun moteurs |
| 3 Trimmer de réglage de la force (F) | 18 Relais Éclairage automatique |
| 4 Trimmer de réglage du Temps de Pause (TP) | 19 Relais Direction mouvement Ouvre / Ferme |
| 5 Trimmer de réglage du Temps de Retard en ouverture (TRA) | 20 Relais Photo-test |
| 6 Trimmer de réglage du Temps de Travail moteur 1 (TL1) | 21 Triac moteur 2 |
| 7 Trimmer de réglage du Temps de Travail moteur 2 (TL2) | 22 Triac moteur 1 |
| 8 Trimmer de réglage du Temps de Retard en fermeture (TRC) | 23 Fusible rapide (5A sur 230 Vac) ou (6,3A sur 120 Vac) |
| 9 Trimmer d'équilibrage manœuvre (BAL) | 24 Bornier entrées / sorties de commande |
| 10 Bornier pour antenne | 25 Bornier sorties moteur |
| 11 Led OK | 26 Bornier sorties clignotant et Écl. autom. |
| 12 Connecteur Radio | 27 Bornier d'alimentation |
| 13 Touche de Pas à Pas | 28 Led signalisation fonctionnement moteurs |
| 14 Dip-switch de sélection des fonctions | 29 Cavalier pour choix du mode de ralentissement (M-RAL) |
| 15 Microprocesseur | |

2.1) Limites d'utilisation

Les données relatives aux performances des produits figurent dans le chapitre 9 «Caractéristiques techniques» et sont les seules valeurs qui permettent d'évaluer correctement si l'opérateur est adapté à l'application.

2.2) Installation typique



2

- | | |
|---------------------------------------|----------------------------------|
| 1. Centrale A60 | 5. Paire de photocellules PHOTO |
| 2. Clignotant avec antenne incorporée | 6. Paire de photocellules PHOTO1 |
| 3. Sélecteur à clé | 7. Barres palpeuses |
| 4. motoréducteurs | 8. Émetteur radio |

2.3) Liste des câbles

Dans l'installation typique de la figure 2 sont indiqués aussi les câbles nécessaires pour les connexions des différents dispositifs; le tableau 1 indique les caractéristiques des câbles.

⚠ Les câbles utilisés doivent être adaptés au type d'installation; par exemple, on conseille un câble type H03VV-F pour la pose à l'intérieur ou H07RN-F pour la pose à l'extérieur.

Tableau 1: liste des câbles

Connexion	Type de câble	Longueur maximum admise
A: Ligne électrique d'alimentation	N°1 câble 3x1,5mm ²	30m (nota 1)
B: Clignotant avec antenne	N°1 câble 2x0,5mm ²	20m
	N°1 câble blindé type RG58	20m (longueur conseillée: moins de 5 m)
C: Serrure électrique	N°1 câble 2x1mm ²	20m
D: Photocellules	N°1 câble 2x0,25mm ² (Tx)	30m
	N°1 câble 4x0,25mm ² (Rx)	30m
E: Sélecteur à clé	N°1 câble 4x0,25mm ²	30m
F: Motoréducteurs	N°1 câble 4x1,5mm ²	3m
G: Barres palpeuses	N°1 câble 2x0,25mm ²	30m

Nota 1: si la longueur du câble d'alimentation dépasse 30 m, il faut prévoir un câble avec une section plus grande, par exemple 3x2,5mm² et une mise à la terre est nécessaire à proximité de l'automatisme.

3) Installation

⚠ L'installation doit être effectuée par du personnel qualifié, dans le respect des lois, des normes et des règlements ainsi que de toutes les instructions de cette notice technique.

3.1) Contrôles préliminaires

Avant de continuer l'installation, il faut effectuer les contrôles suivants:

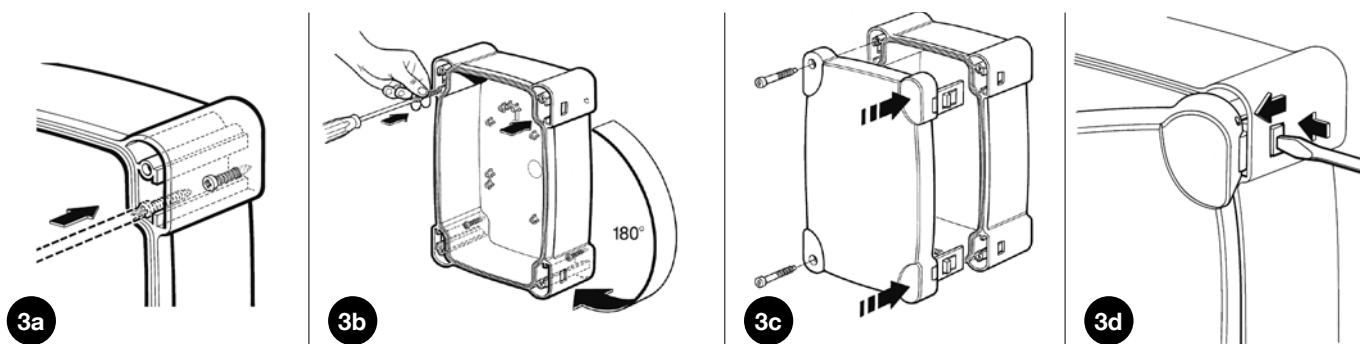
- Vérifier que tout le matériel à utiliser est en excellent état, adapté à l'utilisation et conforme aux normes;
 - Vérifier que la structure du portail est adaptée pour être équipée d'un automatisme;
 - Vérifier que les points de fixation des différents dispositifs se trouvent dans des endroits à l'abri des chocs et que les surfaces sont suffisamment solides;
 - Introduire les passe-câbles ou les passe-tubes uniquement dans la partie inférieure de la centrale, il ne faut perforer sous aucun prétexte les parois latérales et la paroi supérieure. Les câbles doivent entrer dans la centrale seulement par la partie inférieure!
 - Prévoir des butées mécaniques adéquates ancrées au sol tant pour la manœuvre d'ouverture que pour la manœuvre de fermeture.
 - Éviter que les parties de l'automatisme puissent être immergées dans l'eau ou dans d'autres substances liquides;
 - Ne pas placer A60 à proximité de flammes ou de sources de chaleur, dans des atmosphères potentiellement explosives, particulièrement acides ou salines; cela pourrait l'endommager et causer des problèmes de fonctionnement ou des situations de danger;
- Si un portillon pour le passage de piétons est incorporé au tablier ou est présent dans la zone de manoeuvre du tablier, il faut s'assurer qu'il ne gêne pas la course normale et prévoir éventuellement un système d'interverrouillage;
 - Connecter la logique de commande à une ligne d'alimentation électrique avec mise à la terre;
 - La ligne d'alimentation électrique doit être protégée par un disjoncteur magnétothermique associé à un déclencheur différentiel;
 - Sur la ligne d'alimentation du secteur électrique, il faut monter un dispositif de déconnexion de l'alimentation (avec catégorie de surtension III, c'est-à-dire avec une distance entre les contacts d'au moins 3,5 mm) ou bien un autre système équivalent, par exemple une prise et une fiche. Si le dispositif de déconnexion de l'alimentation ne se trouve pas à proximité de l'automatisme, il faut disposer d'un système de blocage contre la connexion accidentelle ou non autorisée.

3.2) Fixation

Introduire les deux vis dans les trous supérieurs en les faisant coulisser sur la glissière, comme l'indique la Fig. 3a, en les vissant partiellement. Tourner l'unité sur 180° et répéter même opération avec les 2 autres vis. Fixer l'unité au mur.

Placer le couvercle dans la position voulue (avec l'ouverture à droite ou à gauche), appuyer fortement au niveau des flèches.

Pour enlever le couvercle, appuyer avec un tournevis sur le point d'encastrement et en même temps pousser vers le haut.



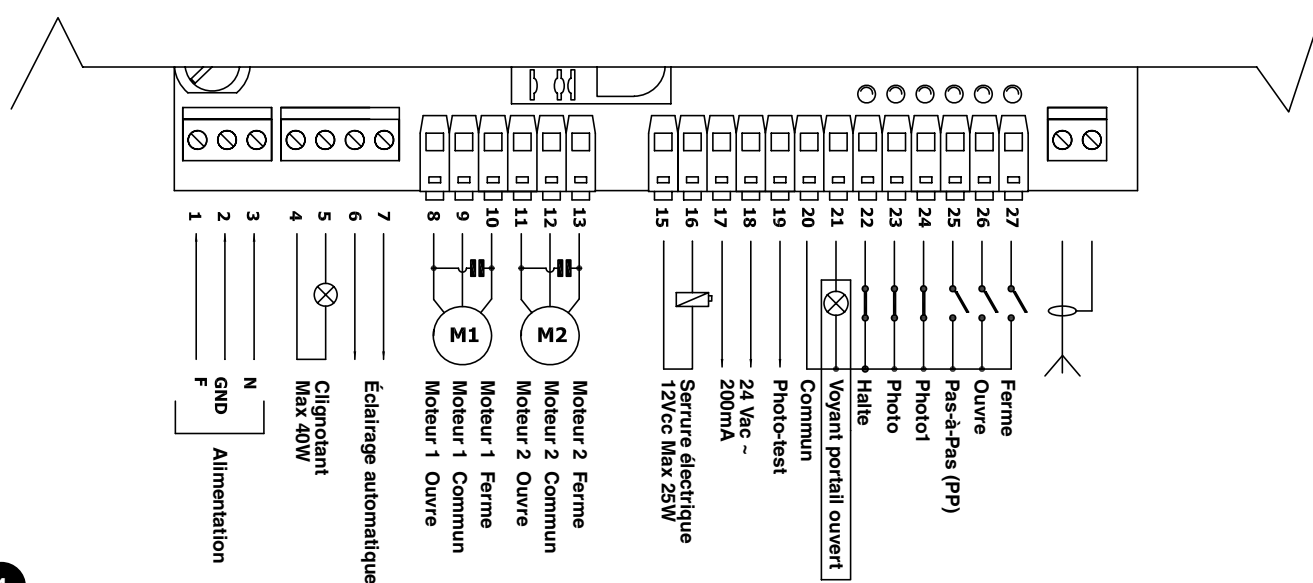
3.3) Connexions électriques

⚠ Pour garantir la sécurité de l'opérateur et pour éviter d'endommager les composants, quand on effectue les connexions électriques ou qu'on branche les différentes cartes, l'armoire de commande doit absolument être éteinte.

- Alimenter l'armoire de commande avec un câble de 3 x 1,5 mm², si la distance entre l'armoire et la connexion à l'installation de mise à la terre dépasse 30 m, il faut prévoir une prise de terre à proximité de l'armoire de commande.
- Pour les connexions de la partie à très basse tension de sécurité, utiliser des câbles d'une section minimum de 0,25 mm².
- Utiliser des câbles blindés si la longueur dépasse 30 m en mettant le blindage à la terre seulement du côté de l'armoire.
- Éviter d'effectuer des connexions de câbles dans des boîtiers enterrés même s'ils sont complètement étanches.
- Les entrées des contacts de type Normalement Fermé (NC), si elles ne sont pas utilisées, doivent être shuntées avec "commun 24 V", à l'exclusion des entrées des photocellules si la fonction de "photo-test" est insérée. Pour plus de précisions voir paragraphe "Notes sur les connexions" dans la partie "Photo-test".
- S'il y a plusieurs contacts NC (Normalement Fermé) pour la même entrée, il faut les connecter en SÉRIE.
- Les entrées des contacts de type Normalement Ouvert (NO), quand elles ne sont pas utilisées, doivent être laissées libres.
- S'il y a plusieurs contacts NO (Normalement Ouvert) pour la même entrée, il faut les connecter en PARALLÈLE.
- Les contacts doivent absolument être de type mécanique et libres de toute puissance. Les connexions à étages type "PNP", "NPN", "Open Collector", etc., ne sont pas admises.

Effectuer les connexions nécessaires suivant le schéma de la **Fig. 4** et la description des connexions qui suit.

Nous rappelons qu'il y a des normes précises à respecter de manière rigoureuse tant en ce qui concerne la sécurité des installations électriques qu'en ce qui concerne les portails automatiques.



4

3.4) Description des connexions

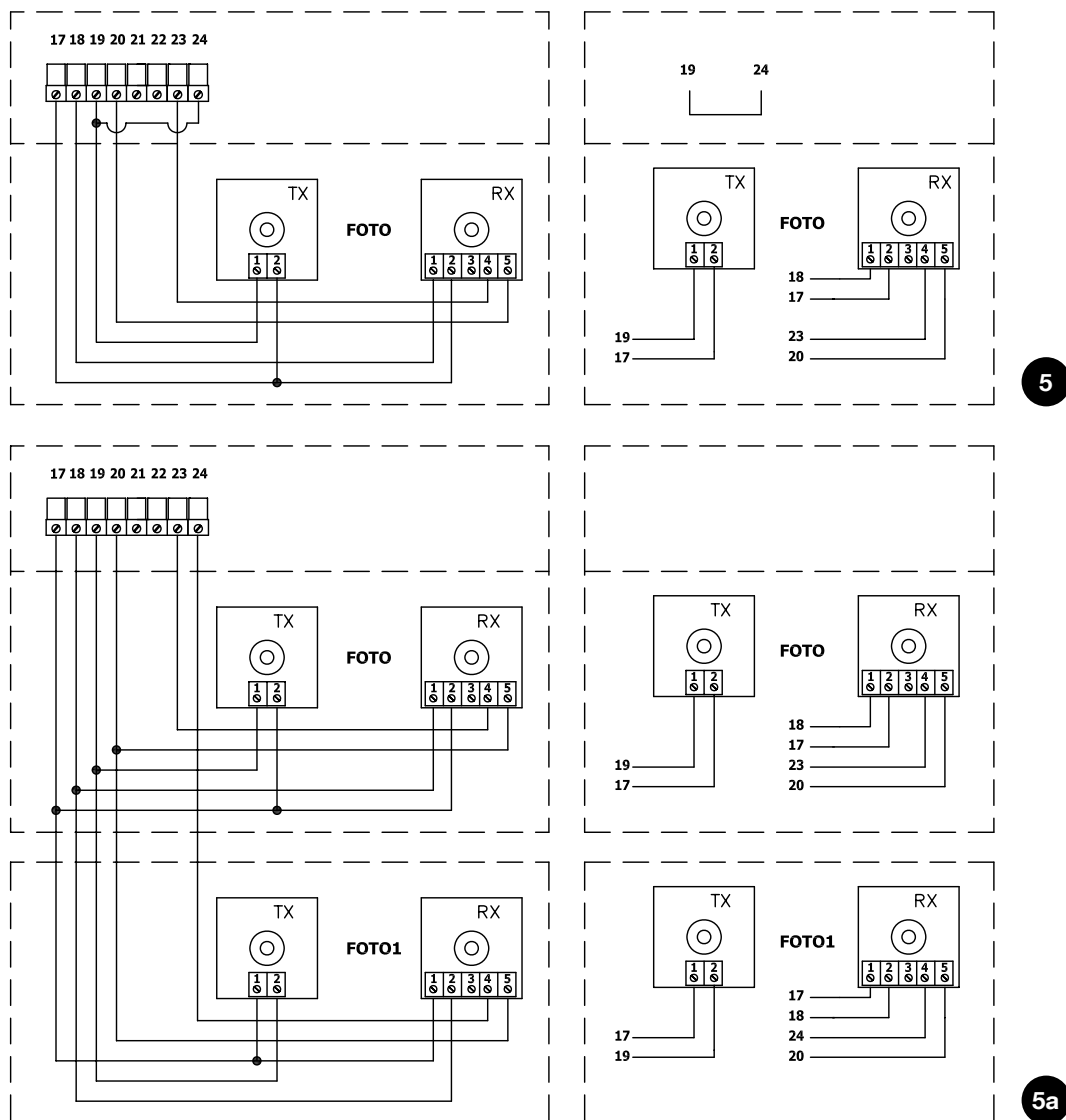
Nous donnons ci-après une brève description des connexions possibles de l'armoire de commande vers l'extérieur.

Bornes	Fonction	Description
1-2-3 :	Alimentation =	Ligne d'alimentation de secteur
4-5 :	Clignotant =	Sortie pour connexion du clignotant à tension de secteur (Max. 40 W)
6-7 :	Éclairage automatique =	Sortie à contact vide pour connexion éclairage automatique (Max. 5A)
8-9-10 :	Moteur1 =	Sortie commande moteur 1
11-12-13 :	Moteur2 =	Sortie commande moteur 2
15-16 :	Serrure électrique =	Sortie 12 Vcc pour activation serrure électrique, puissance maximum 25W
17-18 :	24 Vac =	Alimentation services 24 Vac (Max. 200 mA)
19 :	Photo-test =	Sortie photo-test - Alimentation "TX" des photocellules - (Max. 75 mA)
20 :	Commun =	Commun à toutes les entrées
21 :	Voyant portail ouvert =	Sortie pour Voyant portail ouvert 24 Vac (Max. 2W)
22 :	Halte =	Entrée avec fonction de "Halte" (Arrêt et brève inversion)
23 :	Photo =	Entrée pour dispositifs de sécurité
24 :	Photo1 =	Entrée pour autre dispositif de sécurité
25 :	Pas-à-Pas (PP) =	Entrée pour mouvement cyclique ("Ouvre" – "Arrêt" – "Ferme" – "Stop")
26 :	Ouvre =	Entrée pour ouverture
27 :	Ferme =	Entrée pour fermeture
	Antenne =	Entrée pour antenne récepteur radio

3.5) Notes sur les connexions

La plupart des connexions sont extrêmement simples, une bonne partie est constituée de connexions directes à un seul utilisateur ou contact, d'autres par contre prévoient une connexion un peu plus complexe:

Tous les moteurs de type asynchrone monophasés ont besoin d'un condensateur pour fonctionner correctement, certains motoréducteurs, ont déjà ce condensateur connecté à l'intérieur, d'autres au contraire demandent la connexion du condensateur à l'extérieur. Dans ce cas, le condensateur doit être connecté entre les phases OUVRE et FERME du moteur. Par commodité il est bon de brancher le condensateur directement dans la centrale.



5

5a

La fonction "Photo-test" augmente la fiabilité des dispositifs de sécurité en permettant d'atteindre la "catégorie 2" selon la norme EN 954-1 (éd. 12/1996) en ce qui concerne l'ensemble armoire de commande et photocellules de sécurité.

À chaque fois qu'une manoeuvre est commandée, tous les dispositifs de sécurité impliqués sont contrôlés et la manoeuvre commence uniquement si le test est positif. Si par contre le test n'est pas positif (photocellule éblouie par le soleil, câbles en court-circuit, etc.) l'anomalie est identifiée et la manoeuvre n'est pas exécutée.

Pour obtenir la Fonction "Photo-test", il faut :

- Positionner le Dip-switch 10 sur ON
- Connecter les photocellules comme dans la **fig. 5** (si l'on n'utilise que la sortie PHOTO) ou comme dans la **fig. 5a** (si on utilise aussi la sortie PHOTO1).

L'alimentation des émetteurs des photocellules ne provient pas directement de la sortie des services, mais de la sortie PHOTOTEST. Le courant maximum utilisable sur la sortie PHOTOTEST est de 75 mA (3 paires de photocellules).

- Alimenter les récepteurs directement de la sortie services de l'armoire de commande (bornes 17-18).

Le test des photocellules s'effectue de la façon suivante : quand un mouvement est demandé, on contrôle en premier lieu que tous les récepteurs concernés par le mouvement l'autorisent, puis on coupe l'alimentation des émetteurs et on vérifie que tous les récepteurs signalent le fait en niant l'autorisation au mouvement ; on rétablit enfin l'alimentation des émetteurs et on vérifie de nouveau l'autorisation au mouvement de la part de tous les récepteurs. Ce n'est que si toute cette séquence donne un résultat positif que la manoeuvre démarrera. Il est toujours bon en outre d'activer le synchronisme en coupant les shunts qui s'y réfèrent sur les émetteurs ; c'est la seule manière de garantir que deux paires de photocellules n'interfèrent pas entre elles. Vérifier sur le manuel des photocellules les instructions pour le fonctionnement "SYNCHRONISÉ".

Si une entrée soumise à PHOTO-TEST n'est pas utilisée (Exemple PHOTO1) et si l'on désire quand même la fonction photo-test, il faut shunter l'entrée inutilisée avec la sortie PHOTO-TEST (bornes 19 -24) voir **fig. 5a**.

Si dans un second temps on ne désire plus utiliser la fonction de "Phototest", il suffira d'abaisser le Dip-switch 10.

3.6) Vérification des connexions

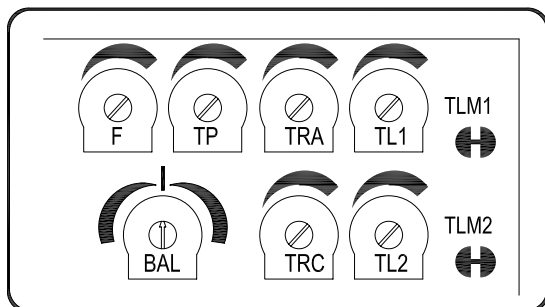
⚠ Les prochaines opérations vous porteront à agir sur des circuits sous tension, la plupart des circuits sont soumis à très basse tension de sécurité et donc non dangereuse, certaines parties sont soumises à la tension de secteur et donc TRÈS DANGEREUSES ! Faites très attention à ce que vous faites et N'OPÉREZ JAMAIS SEULS!

- Alimenter l'armoire de commande et vérifier immédiatement que la tension présente entre les bornes 17-18 est d'environ 24 Vac.
- Vérifier que, après quelques instants de clignotement rapide, la Led "OK" clignote à un rythme régulier.
- Vérifier maintenant que les led relatives aux entrées avec contacts type NC (Normalement Fermé) sont allumées (toutes les sécurités actives) et que les led relatives aux entrées type NA (Normalement Ouvert) sont éteintes (aucune commande présente). Si ce n'est pas le cas, contrôler les connexions et le bon fonctionnement des différents dispositifs. L'entrée de HALTE intervient en éteignant aussi bien FCA que FCC.
- Débloquer les battants et les porter à mi-course puis bloquer, de cette manière les battants sont libres de bouger aussi bien en ouverture qu'en fermeture.
- Il faudra vérifier maintenant que le mouvement s'effectue dans le bon sens, c'est-à-dire contrôler la correspondance entre le mouvement prévu par la logique de commande et le mouvement effectif des battants. Cette vérification est fondamentale, si le sens est erroné dans certains cas (par exemple en mode semi-automatique), l'automatisme pourrait fonctionner régulièrement en apparence, en effet le cycle OUVRE est semblable au cycle FERME à la différence fondamentale que les dispositifs de sécurité seront ignorés dans la manoeuvre de fermeture, qui est généralement la plus dangereuse, et interviendront en ouverture en provoquant une refermeture contre l'obstacle avec des effets désastreux !
- Pour vérifier si le sens de rotation est exact, il faut donner une brève impulsion sur l'entrée OUVRE et vérifier si l'automatisme bouge dans le sens de l'ouverture ; si le mouvement s'effectue dans le mauvais sens, il faut :
 - Couper l'alimentation.
 - Inverser les fils d'alimentation du ou des moteurs erronés. (Dans le cas de M1, inverser la connexion des bornes 8 -10 , tandis que dans le cas de M2 inverser la connexion des bornes 11 -13).
 - Après avoir effectué les contrôles décrits, il est préférable de vérifier de nouveau si le sens de rotation est correct en répétant le dernier point.

La led "OK" positionnée au centre de la carte, a pour fonction de signaler l'état de la logique interne : un clignotement régulier toutes les secondes indique que le microprocesseur interne est actif et en attente de commandes. Quand au contraire le même microprocesseur reconnaît une variation de l'état d'une entrée (qu'il s'agisse d'une entrée de commande ou d'un Dip-switch des fonctions) il génère un double clignotement rapide même si la variation ne provoque pas d'effets immédiats. Un clignotement très rapide pendant 3 secondes indique que l'armoire de commande vient d'être alimentée et est en train d'effectuer un test des parties internes, enfin un clignotement irrégulier indique que le test n'a pas eu un résultat positif et qu'il y a donc une anomalie.

4) Réglages

Les réglages peuvent être effectués au moyen des trimmers qui agissent en modifiant les paramètres suivants:



• TEMPS DE TRAVAIL (TL1 TL2):

Règlent la durée maximum de la manoeuvre d'ouverture ou de fermeture du moteur 1 (TL1) et du moteur 2 (TL2).

Le réglage des trimmers (TL1 TL2) a un effet dès la première manoeuvre du portail fermé (temps de travail des 2 battants terminé), régler par conséquent toujours les trimmers dans la condition de portail fermé.

Si on utilise des opérateurs avec fin de course électrique ou des butées mécaniques, il est conseillé de régler les fins de course ou les butées pour l'ouverture ou la fermeture maximum des battants désirée. Pour le réglage des Temps de Travail TL, sélectionner le mode de fonctionnement "Semi-automatique" en mettant sur ON le Dip-switch 1 puis régler le trimmer TL à mi-course. Avec ces réglages effectuer un cycle d'ouverture et de fermeture, intervenir éventuellement sur le réglage des trimmers TL de manière que le temps suffise pour effectuer toute la manoeuvre et qu'il reste encore une marge de 2 ou 3 secondes sur l'arrêt dû aux fins de course électriques (sur les moteurs avec fins de course) ou aux butées mécaniques.

Pour contrôler quand le temps de travail des deux moteurs s'achève, vérifier l'extinction des Led de signalisation du fonctionnement des moteurs, situées sur l'armoire de commande (l'extinction de la Led correspond à la fin du Temps de Travail du moteur correspondant). Si même en mettant le trimmer TL au maximum le temps n'est pas suffisant pour effectuer toute la manoeuvre, couper le shunt TLM1, pour augmenter le Temps de travail du moteur 1 et couper le shunt TLM2 pour augmenter le Temps de Travail du moteur 2.

Ces shunts sont situés près du trimmer correspondant.

Si l'on veut utiliser la fonction de RALENTISSEMENT (Dip-switch 8 On), il sera nécessaire de régler les Trimmers de Temps de Travail de manière que les moteurs commencent la phase de ralentissement environ 50 - 70 cm avant l'interruption des fins de course d'ouverture ou fermeture.

• TEMPS DE RETARD EN OUVERTURE (TRA) ET EN FERMETURE (TRC):

Si le portail est composé de 2 battants qui peuvent se coincer quand ils démarrent en même temps ou qui peuvent se superposer en fermeture, il faut alors intervenir sur les réglages des trimmers Temps de Retard Ouverture (TRA) ou Temps de Retard Fermeture (TRC) pour remédier à ces problèmes.

Donc (TRA) doit être réglé de manière que le battant manoeuvré par le 2e moteur soit déjà hors de la zone de mouvement de l'autre battant quand le battant manoeuvré par le 1er moteur démarre.

Le trimmer (TRC) doit être réglé de manière qu'en fermeture, le battant du 2e moteur arrive à la butée quand le 1er moteur a déjà terminé la manoeuvre de fermeture.

• TEMPS DE PAUSE (TP):

Dans le fonctionnement "Automatique", il règle le temps entre la fin de la manoeuvre d'ouverture et le commencement de la manoeuvre de fermeture.

• FORCE (F):

Il faut faire particulièrement attention au réglage du trimmer FORCE (F), ce réglage peut influencer le degré de sécurité de l'automatisme. Pour le réglage, il faut procéder par tentatives successives en mesurant la force appliquée par le battant et en la comparant à celle qui est prévue par les normes.

• ÉQUILIBRAGE temps de manoeuvre (BAL):

Le trimmer d'ÉQUILIBRAGE présent dans cette logique de commande permet de différencier le temps de travail entre les manoeuvres d'ouverture et de fermeture des vantaux.

C'est utile quand le moteur a des vitesses différentes dans les deux directions comme par exemple les moteurs oléohydrauliques ou quand les vantaux du portail sont déséquilibrés en ouverture ou en fermeture en provoquant des efforts différents et en demandant donc des temps différents pour parcourir le même espace.

Par conséquent, si le portail est déséquilibré en fermeture la manoeuvre d'ouverture peut terminer avant les butées mécaniques, il faudra dans ce cas tourner le trimmer BAL dans le sens des aiguilles d'une montre (AP) en augmentant ainsi le temps de travail d'ouverture jusqu'à ce que les ralentissements commencent au point préétabli (50cm avant la butée mécanique) et que la manoeuvre dure encore 3 - 5 secondes après que les vantaux sont arrivés sur les butées mécaniques.

Si par contre le portail est déséquilibré en ouverture il faudra l'équilibrer en tournant le trimmer BAL dans le sens inverse des aiguilles d'une montre (CH) en donnant plus de temps à la manoeuvre de fermeture.

Si le trimmer est situé exactement au centre, les manoeuvres d'ouverture et de fermeture auront le même temps de travail.

4.1) Modes de fonctionnement

Dans le fonctionnement en mode manuel, l'entrée OUVRE permet le mouvement en ouverture, l'entrée FERME permet le mouvement en fermeture. L'entrée PAS-À-PAS permet le mouvement alternativement en ouverture et en fermeture.

Dès que la commande cesse en entrée, le mouvement s'arrête. En ouverture et en fermeture, le mouvement s'arrête dès que cessent l'entrée de commande ou l'accord des dispositifs de sécurité. En ouverture comme en fermeture, une intervention sur HALTE provoque toujours un arrêt immédiat du mouvement. Une fois qu'un mouvement s'est arrêté, il faut faire cesser la commande en entrée avant qu'une nouvelle commande puisse faire commencer un nouveau mouvement.

Dans le fonctionnement dans l'un des modes automatiques ("Semi-Automatique", "Automatique" ou "Automatique + Ferme Toujours") une impulsion de commande sur l'entrée OUVRE provoque le mouvement en ouverture. Une impulsion sur PAS-À-PAS provoque alternativement l'ouverture ou la fermeture. Une deuxième impulsion sur PAS-À-PAS ou sur la même entrée qui a commencé le mouvement provoque un "Stop".

En ouverture comme en fermeture, une intervention sur HALTE provoque un arrêt immédiat du mouvement et une brève inversion.

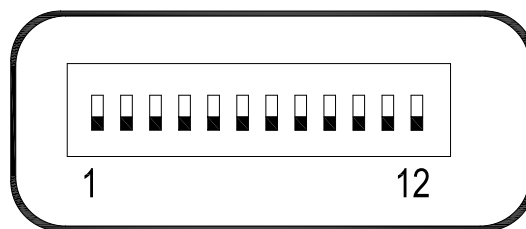
Si dans une entrée de commande, au lieu d'une impulsion, c'est un signal continu qui est maintenu, on a un état de "priorité" dans le quel les autres entrées de commande restent désactivées (**utile pour connecter une horloge ou un sélecteur Nuit-Jour**).

Si le mode de fonctionnement automatique est sélectionné, après une manoeuvre d'ouverture, on a une pause, suivie d'une fermeture. Si durant la pause il y a une intervention de PHOTO, le temporisateur sera réamorcé avec un nouveau Temps de Pause ; si par contre durant la pause on intervient sur HALTE, la fonction de refermeture est annulée et on passe à un état de STOP.

En ouverture l'intervention de PHOTO n'a aucun effet tandis qu'en fermeture l'intervention de PHOTO provoque une inversion du mouvement puis une pause et ensuite une refermeture.

5) Programmation

La centrale dispose d'une série de microinterrupteurs qui permettent d'activer différentes fonctions afin de rendre l'installation plus adaptée aux exigences de l'utilisateur et plus sûre dans les différentes conditions d'utilisation. Toutes les fonctions sont activées quand le dip-switch correspondant est sur "On" tandis qu'elles sont désactivées quand le dip-switch correspondant est sur "Off"; certaines fonctions ne sont pas immédiatement efficaces et ont un sens seulement dans certaines conditions.



⚠ ATTENTION: quelques unes des fonctions programmables sont liées à des aspects de la sécurité, évaluer très attentivement les effets d'une fonction et vérifier quelle est la fonction qui donne le plus de sécurité possible.

Lors des opérations de maintenance d'une installation, avant de modifier une fonction programmable, évaluer la raison pour laquelle certains choix avaient été faits en phase d'installation puis vérifier si avec la nouvelle programmation la sécurité se trouve compromise.

5.1) Fonctions programmables

Les dip-switchs FONCTIONS permettent de sélectionner les différents modes de fonctionnement et d'insérer les fonctions désirées selon le tableau suivant:

Switch 1-2	Off Off	= Mouvement "Manuel" c'est-à-dire homme présent
	On-Off	= Mouvement "Semi-automatique"
	Off-On	= Mouvement "Automatique" c'est-à-dire fermeture automatique
	On-On	= Mouvement "Automatique + ferme toujours"
Switch 3	On	= Fonctionnement Collectif < non disponible en mode manuel >
Switch 4	On	= Préclignotement
Switch 5	On	= Referme 5 s après Photo < en automatique > ou Ferme après Photo < en semi-automatique >
Switch 6	On	= Sécurité "Photo1" aussi en ouverture
Switch 7	On	= Coup de bélier
Switch 8	On	= Ralentissement
Switch 9	On	= Maintien pression
Switch 10	On	= Photo-test
Switch 11	On	= Éclairage automatique en mode impulsion
Switch 12	On	= "Ferme" devient "Ouverture partielle"

N.B. : Certaines fonctions sont possibles dans des conditions données, d'autres sont signalées par les notes entre les caractères "<...>".

5.2) Description des fonctions

Nous reportons maintenant une brève description des fonctions qui peuvent s'activer en portant sur "On" le Dip-switch correspondant:

- Switch 1-2:**
- Off Off = Mouvement "Manuel" (homme présent)
 - On-Off = Mouvement "Semi-automatique"
 - Off-On = Mouvement "Automatique"
(fermeture automatique)
 - On-On = Mouvement "Automatique + Ferme
Toujours"

Dans le fonctionnement "Manuel" le mouvement est exécuté seulement jusqu'à la présence de la commande (touche pressée).

En "Semi-automatique" il suffit d'une impulsion de commande et tout le mouvement est exécuté jusqu'à l'expiration du Temps de Travail ou quand le fin de course est atteint. Dans le fonctionnement en mode "Automatique" après une ouverture, il y a une pause et donc la fermeture a lieu automatiquement.

La fonction "Ferme Toujours" intervient après un manque d'alimentation en activant automatiquement une manoeuvre de fermeture precede de 5 secondes de préclignotement.

Switch 3: On = Fonctionnement Collectif (non disponible en mode manuel)

Dans le fonctionnement collectif, une fois qu'un mouvement en ouverture a démarré, la manoeuvre ne peut pas être interrompue par d'autres impulsions de commande sur PAS-À-PAS ou OUVRE jusqu'à la fin du mouvement en ouverture.

Dans le mouvement en fermeture une nouvelle impulsion de commande provoque l'arrêt et l'inversion du mouvement en ouverture.

Switch 4: On = Préclignotement

À l'impulsion de commande, on a d'abord l'activation du clignotant puis, au bout de 5 secondes (2 en manuel), le mouvement commence.

Switch 5: On = Referme 5 s après "Photo" < en "automatique" > ou "Ferme" après "Photo" < en "Semi-automatique" >

Cette fonction, si on est en mode Automatique, permet de maintenir le portail ouvert seulement le temps nécessaire au transit, en effet, à la fin de l'intervention de PHOTO la manoeuvre s'arrête. Au bout de 5 secondes, une manoeuvre de fermeture commencera automatiquement. Si on est en mode Semi-automatique, une intervention de PHOTO dans la manoeuvre de fermeture active la fermeture automatique avec le Temps de Pause réglé.

Switch 6: On = Sécurité (Photo1) également en ouverture

Normalement la sécurité "Photo1" est active seulement dans la manoeuvre de fermeture, si le Dip-switch 6 est positionné sur "ON", l'intervention du dispositif de sécurité provoque une interruption du mouvement également en ouverture. Si on est en mode Semi-automatique ou Automatique on aura la reprise du mouvement en ouverture jusqu'après la libération de la photocellule.

Switch 7: On = Coup de bélier

Quand on utilise des opérateurs réversibles et que donc le portail ne reste pas fermé uniquement du fait de la poussée des moteurs, il devient indispensable d'installer une serrure électrique (voir les instructions des opérateurs pour le mode d'emploi).

La serrure électrique pourrait être ainsi sujette à la poussée naturelle qui tend à porter les battants en position légèrement ouverte ; parfois, cette poussée est si élevée qu'elle maintient bloqué le mécanisme de déclenchement de la serrure électrique. Avec la fonction coup de bélier activée, avant de commencer une manoeuvre d'ouverture, un bref cycle de fermeture est activé, qui ne crée aucun effet de mouvement vu que les battants sont déjà contre le fin de course de fermeture.

De cette manière, quand la serrure électrique est activée, elle ne sera sujette à aucune force et sera donc libre de se déclencher.

Switch 8: On = Ralentissement

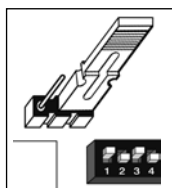
Le ralentissement consiste en une réduction de la vitesse à 30% de la vitesse nominale, de manière à réduire la force d'impact dans les zones d'ouverture et de fermeture du portail.

En plus de diminuer la vitesse de l'automatisme, la fonction de ralentissement réduit de 70% le couple des moteurs.

Dans des automatismes qui demandent un couple élevé, cette réduction de couple pourrait provoquer l'arrêt des moteurs.

Pour cette raison, la fonction n'est pas activable sur des portails lourds ou avec des frottements élevés.

Une fois que la fonction de ralentissement est activée, il faudra agir sur le trimmer temps de travail (TL) dans la mesure où le début du ralentissement est lié au temps de travail programmé. Régler par conséquent le temps de travail pour que le ralentissement commence environ 50 cm avant les butées mécaniques de sorte que la manoeuvre dure encore 3-5 secondes après la butée mécanique. Sur la logique de commande se trouve un cavalier (M-RAL) qui permet de sélectionner entre deux modes de RALENTISSEMENT, un avec réduction de couple de 70% et un avec réduction de couple de 60% à utiliser sur des portails de poids supérieur.



Réduction de 70% du couple



Réduction de 60% du couple

Noter qu'au cours du ralentissement le bruit émis par les moteurs augmente légèrement.

Avant de commencer le réglage des ralentissements, lire le paragraphe « 4 Réglages » en faisant particulièrement attention au fonctionnement du trimmer d'équilibrage (BAL).

Switch 9: On = Maintien pression

Dans les opérateurs hydrauliques, la poussée pour maintenir le portail fermé est développée par un circuit hydraulique qui reste toujours sous pression. Quand le temps et l'usure réduisent l'herméticité du circuit hydraulique, il peut arriver qu'au bout de quelques heures la pression interne baisse, entraînant ainsi le risque d'une légère ouverture des battants du portail.

Si la fonction "Maintien Pression" est activée, toutes les 4 heures pendant lesquelles le portail est fermé, une brève manoeuvre de fermeture est activée dans le seul but de recharger la pression du circuit hydraulique.

Switch 10: On = Photo-test

Cette fonction permet d'effectuer à chaque début de manoeuvre un contrôle du bon fonctionnement des photocellules. Voir chapitre PHOTO-TEST.

Switch 11: On = Éclairage automatique en mode "impulsion"

Dans ce mode de fonctionnement, le contact à vide de la sortie Éclairage automatique restera fermé pendant 1 seconde au début de chaque manoeuvre d'ouverture ou de fermeture en permettant de donner une impulsion de commande à un éventuel temporisateur extérieur.

Switch 12: On = FERME devient OUVERTURE PARTIELLE

Dans ce mode de fonctionnement, l'entrée FERME perd sa fonction de base et devient une entrée de Pas-à-Pas "Ouverture partielle" qui permet de n'ouvrir que le battant du portail commandée par le moteur 2 permettant le passage d'un piéton.

Il faut préciser que le cycle d'ouverture partielle ne s'active qu'en partant du portail fermé ; si par contre le portail est en mouvement ou bien ouvert, l'impulsion sur l'entrée n'a aucun effet.

6) Essai de fonctionnement

Après avoir terminé les contrôles et les réglages, il est possible de passer à l'essai de fonctionnement de l'installation.

⚠ L'essai de fonctionnement de l'automatisme doit être effectué par du personnel qualifié et expérimenté qui devra charger d'établir les essais prévus en fonction du risque présent.

L'essai de fonctionnement est la partie la plus importante de toute la phase de réalisation de l'automatisme. Chaque composant, comme le moteur, l'arrêt d'urgence, les photocellules, etc., peut nécessiter une phase d'essai spécifique, raison pour laquelle nous conseillons de suivre les procédures indiquées dans les manuels d'instructions correspondants.

Pour l'essai de l'armoire de commande, exécuter la procédure qui suit:

1. Sélections fonctions :
 - Positionner sur ON le Dip-switch 1 (Fonctionnement "Semi-automatique") et sur OFF les Dip-switchs restants
2. Presser la touche OUVRE et vérifier que :
 - le clignotant s'active
 - une manoeuvre d'ouverture commence
 - le mouvement s'arrête quand le fin de course en ouverture est atteint
3. Presser la touche FERME et vérifier que :
 - le clignotant s'active
 - une manoeuvre de fermeture commence
 - le mouvement s'arrête quand le fin de course en fermeture est atteint.
4. Faire partir une manoeuvre d'ouverture et vérifier que durant la manoeuvre l'intervention d'un dispositif :
 - Connecté à l'entrée HALTE, provoque l'arrêt immédiat du mouvement et une brève inversion
 - Connecté à l'entrée PHOTO, n'a aucun effet

5. Faire partir une manoeuvre de fermeture et vérifier que durant la manoeuvre l'intervention d'un dispositif:
 - Connecté à l'entrée HALTE, provoque l'arrêt immédiat du mouvement et une brève inversion
 - Connecté à l'entrée PHOTO, provoque l'arrêt et l'inversion de la manoeuvre
 - Connecté à l'entrée PHOTO1, provoque l'arrêt et l'inversion de la manoeuvre.
6. Sur les entrées connectées, vérifier que l'activation de l'entrée provoque un pas dans la séquence :
 - Entrée Pas-à-Pas : Séquence = Ouvre – Stop – Ferme – Stop
 - Entrée Ouvre : Séquence = Ouvre – Stop – Ouvre – Stop
 - Entrée Ferme : Séquence = Ferme – Stop – Ferme – Stop
7. Si on utilise la fonction photo-test, vérifier l'efficacité du test :
 - Interrompre la photocellule PHOTO, puis faire partir une manoeuvre et vérifier que celle-ci n'est pas exécutée
 - Interrompre la photocellule PHOTO1 puis faire partir une manoeuvre et vérifier que celle-ci n'est pas exécutée
 - Court-circuiter le contact de la photocellule PHOTO, puis faire partir une manoeuvre et vérifier que celle-ci n'est pas exécutée
 - Court-circuiter le contact de la photocellule PHOTO1, puis faire partir une manoeuvre et vérifier que celle-ci n'est pas exécutée
8. Effectuer les essais pour la détection des Forces d'Impact comme le prévoit la norme EN 12445.

Si à la fin de l'essai d'autres fonctions programmables qui peuvent réduire la sécurité de l'installation sont activées, il faut effectuer un contrôle spécifique de ces fonctions.

6.1) Mise en service

La mise en service ne peut être faite que si toutes les phases d'essai de la centrale des autres dispositifs ont été réussies.

La mise en service partielle ou dans des situations «provisoires» n'est pas autorisée.

E' vietata la messa in servizio parziale o in situazioni "provisorie".

1. Réaliser et conserver pendant au moins 10 ans le dossier technique de l'automatisme qui devra comprendre au minimum: dessin d'ensemble de l'automatisation, schéma des connexions électriques, analyse des risques et solutions adoptées, déclaration de conformité du fabricant de tous les dispositifs utilisés (pour A60, utiliser la déclaration CE de conformité ci-jointe), exemplaire de la notice technique et du plan de maintenance de l'automatisme.
2. Appliquer sur le portail une plaquette contenant au moins les données suivantes: type d'automatisme, nom et adresse du constructeur (responsable de la «mise en service»), numéro de série, année de construction et marque CE.
3. Fixer de manière permanente à proximité du portail une étiquette ou une plaque indiquant les opérations à effectuer pour le débrayage et la manoeuvre manuelle.
4. Remplir et remettre au propriétaire la déclaration de conformité de l'automatisme.
5. Rédiger et remettre au propriétaire de l'automatisme la notice «Instructions et avertissements pour l'utilisation de l'automatisme».
6. Rédiger et remettre au propriétaire le plan de maintenance de l'automatisme (qui doit regrouper toutes les prescriptions pour la maintenance de chaque dispositif);
7. Avant de mettre en service l'automatisme, informer le propriétaire, de manière adéquate et par écrit (par exemple dans la notice technique et d'avertissements pour l'utilisation de l'automatisme), sur les risques résiduels.

7) Maintenance et mise au rebut

⚠ Ce chapitre contient les informations pour l'élaboration du plan de maintenance et la mise au rebut ! but de A60.

7.1) Maintenance

Pour maintenir le niveau de sécurité et pour garantir la durée maximum de tout l'automatisme, il faut effectuer une maintenance régulière.

La maintenance doit être effectuée dans le plein respect des consignes de sécurité de la présente notice et suivant les prescriptions des lois et normes en vigueur.

Si d'autres dispositifs sont présents, suivre ce qui est prévu dans le plan de maintenance correspondant différent de **A60**.

1. Il faut effectuer une maintenance programmée au maximum dans

les 6 mois ou quand 10 000 manoeuvres ont été effectuées depuis la dernière intervention de maintenance.

2. Débrancher toutes les sources d'alimentation électrique;
3. Vérifier l'état de détérioration de tous les matériaux qui composent l'automatisme avec une attention particulière pour les phénomènes d'érosion ou d'oxydation des parties structurales; remplacer les parties qui ne donnent pas de garanties suffisantes.
4. Reconnecter les sources d'alimentation électrique et effectuer tous les essais et les contrôles prévus dans le paragraphe «6 Essai».

7.2) Mise au rebut

Comme pour l'installation, à la fin de la durée de vie de ce produit, les opérations de démantèlement doivent être effectuées par du personnel qualifié.

Ce produit est constitué de différents types de matériaux dont certains peuvent être recyclés et d'autres devront être mis au rebut; informez-vous sur les systèmes de recyclage ou d'élimination prévus par les normes locales en vigueur pour cette catégorie de produit.

⚠ Certains composants du produit peuvent contenir des substances polluantes ou dangereuses qui pourraient avoir des effets nuisibles sur l'environnement et sur la santé des personnes s'ils n'étaient pas adéquatement éliminés.

Comme l'indique le symbole de la figure, il est interdit de jeter ce produit avec les ordures ménagères. Procéder par conséquent à la «collecte différenciée» des composants pour leur traitement conformément aux méthodes prescrites par les normes locales en vigueur ou restituer le produit au vendeur lors de l'achat d'un nouveau produit équivalent.



Certains règlements locaux peuvent appliquer de lourdes sanctions en cas d'élimination prohibée de ce produit.

8) Accessoires

Carte RADIO

L'armoire comprend un connecteur pour brancher une carte radio embrochable SM, qui permet d'agir sur l'entrée et commander de cette manière l'armoire à distance avec un émetteur.

- sortie 1 P.P.
- sortie 2 Ouverture partielle
- sortie 3 Il ouvre
- sortie 4 Il ferme

9) Caractéristiques techniques

Dans le but d'améliorer ses produits, Nice S.p.a. se réserve le droit de modifier les caractéristiques techniques à tout moment et sans préavis, en garantissant dans tous les cas le bon fonctionnement et le type d'utilisation prévus.

Toutes les caractéristiques techniques se réfèrent à la température de 20 °C (± 5 °C).

Modèle type:	A60	A60/V1
Alimentation	230 Vac ± 10%, 50 - 60 Hz	120 Vac ± 10%, 50 - 60 Hz
Puissance maximum actionneurs	300 W [1,3 A]	300 W [2,5 A]
Puissance maximum clignotant		100W
Fréquence maximum des cycles de fonctionnement		illimité
Temps maximum de fonctionnement continu		illimité
Courant Max. services (24 Vac)		200 mA
Courant Max sortie test photo (24 Vac)		75 mA
Puissance maximum voyant SCA (24 Vac)		2 W
Puissance maximum serrure électr 12 Vac		15 VA
Temps travail	de 2,5 à 40 sec. (de 40 à 80 sec. con TLM)	
Temps pause	de 5 à 80 sec.	
Temps retard ouverture TRA	0 ou de 2.5 à 12 sec.	
Temps retard fermeture TRC	0 ou de 2.5 à 12 sec.	
Temps équilibrage BAL	de 0 à 8 sec.	
Réglage force	de 0 à 100 %	
Température de fonctionnement	-20 ÷ 50 °C	
Dimensions	280 x 220 x 110 mm	
Poids	1,9 kg	
Indice de protection	IP 55 (boîtier intact)	

Instructions et recommandations destinées à l'utilisateur de l'opérateur A60

• **Avant d'utiliser pour la première fois l'automatisme**, faites-vous expliquer par l'installateur l'origine des risques résiduels et consacrez quelques minutes à la lecture du **manuel d'instructions et d'avertissements pour l'utilisateur qui vous est remis par l'installateur**. Conservez le manuel pour pouvoir le consulter pour n'importe quel doute futur et remettez-le à tout nouveau propriétaire de l'automatisme.

• **Votre automatisme est un équipement qui exécute fidèlement vos commandes**; une utilisation inconsciente et incorrecte peut le rendre dangereux: ne commandez pas le mouvement de l'automatisme si des personnes, des animaux ou des objets se trouvent dans son rayon d'action.

• **Enfants**: une installation d'automatisation garantit un degré de sécurité élevé en empêchant avec ses systèmes de détection le mouvement en présence de personnes ou d'objets et en garantissant une activation toujours prévisible et sûre. Il est prudent toutefois de ne pas laisser jouer les enfants à proximité de l'automatisme et pour éviter les activations involontaires, de ne pas laisser à leur portée les émetteurs qui commandent la manoeuvre: **ce n'est pas un jeu!**

• **Les photocellules ne sont pas un dispositif de sécurité** mais uniquement un dispositif auxiliaire de sécurité. Elles sont construites selon une technologie extrêmement fiable mais peuvent, dans des situations extrêmes, connaître des problèmes de fonctionnement ou même tomber en panne; dans certains cas, la panne peut ne pas être immédiatement évidente.

C'est pourquoi il est conseillé dans tous les cas ce qui suit:

- Le transit n'est autorisé que si le portail ou la porte sont complètement ouverts et avec les vantaux ou le tablier immobiles.
- **IL EST ABSOLUMENT INTERDIT** de transiter pendant que le portail ou la porte sont en phase de fermeture!

Vérifier régulièrement le fonctionnement correct des photocellules et faire exécuter les contrôles de maintenance prévus, au minimum tous les 6 mois.

• **Anomalies**: si vous notez une anomalie quelconque dans le fonctionnement de l'automatisme, coupez l'alimentation électrique de l'installation et procédez au débrayage manuel. Ne tentez jamais de le réparer vous-même mais demandez l'intervention de votre installateur de confiance: dans l'intervalle, l'installation peut fonctionner comme un système non automatisé, après avoir débrayé l'opérateur suivant les indications données plus loin.

• **Maintenance**: comme toutes les machines, votre automatisme a besoin d'une maintenance périodique pour pouvoir fonctionner le plus longtemps possible et en toute sécurité. Établissez avec votre installateur un plan de maintenance périodique programmée; Nice conseille une intervention tous les 6 mois pour une utilisation domestique normale mais cette période peut varier en fonction de l'intensité d'utilisation. Toute intervention de contrôle, maintenance ou réparation doit être exécutée exclusivement par du personnel qualifié.

- Même si vous estimez en être capable, ne modifiez pas l'installation et les paramètres de programmation et de réglage de l'automatisme: la responsabilité en incombe à votre installateur.
- L'essai de fonctionnement final, les maintenances périodiques et les éventuelles réparations doivent être documentés par la personne qui s'en charge et les documents doivent être conservés par le propriétaire de l'installation.

Les seules interventions que l'utilisateur peut et doit effectuer périodiquement sont le nettoyage des verres des photocellules et l'élimination des feuilles et des cailloux qui pourraient bloquer l'automatisme. Pour empêcher que quelqu'un puisse actionner le portail, avant de continuer, n'oubliez pas de **débrayer l'auto-**

matisme et d'utiliser pour le nettoyage uniquement un chiffon légèrement imbibé d'eau.

• **Mise au rebut**: à la fin de la vie de l'automatisme, assurez-vous que le démantèlement est effectué par du personnel qualifié et que les matériaux sont recyclés ou mis au rebut en respectant les normes locales en vigueur.

• **En cas de ruptures ou absence d'alimentation électrique**: en attendant l'intervention de votre installateur (ou le retour du courant si l'installation est dépourvue de batterie tampon), l'installation peut être actionnée comme n'importe quel autre système non automatisé. Pour cela, il faut effectuer le débrayage manuel: cette opération, qui est la seule pouvant être effectuée par l'utilisateur de l'automatisme, a fait l'objet d'une étude particulière de la part de Nice pour vous assurer toujours une utilisation extrêmement simple et aisée, sans aucun outil ou effort physique.

• **Remplacement de la pile de l'émetteur**: si au bout d'une certaine période votre radiocommande présente des problèmes de fonctionnement ou ne fonctionne plus du tout, cela pourrait dépendre tout simplement du fait que la pile est usée (suivant l'intensité d'utilisation, il peut s'écouler plusieurs mois jusqu'à plus d'un an). Vous pouvez vérifier cet état de chose si le voyant de confirmation de la transmission est faible, s'il ne s'allume plus du tout ou s'il ne s'allume qu'un bref instant. Avant de vous adresser à l'installateur, essayez de remplacer la pile en utilisant celle d'un autre émetteur qui fonctionne encore: si cette intervention remédie au problème, il vous suffit de remplacer la pile usagée par une neuve du même type. Les piles contiennent des substances polluantes: ne pas les jeter à la poubelle mais suivre les règles de tri sélectif prévues par les réglementations locales.



Inhaltsverzeichnis**S.**

1	Hinweise	45	5	Programmierung	53
2	Beschreibung des Produktes	46	5.1	Programmierbare Funktionen	53
2.1	Einsatzgrenzen	47	5.2	Beschreibung der Funktionen	54
2.2	Typische Anlage	47	6	Prüfung	55
2.3	Kabelliste	47	6.1	Inbetriebsetzung	55
3	Installation	48	7	Wartung und Entsorgung	56
3.1	Vorprüfungen	48	7.1	Wartung	56
3.2	Befestigung	48	7.2	Entsorgung	56
3.3	Elektrische Anschlüsse	49	8	Zubehör	56
3.4	Beschreibung der Anschlüsse	49	9	Technische Merkmale	56
3.5	Anmerkungen bezüglich der Anschlüsse	50			
3.6	Überprüfung der Anschlüsse	51			
4	Einstellungen	52			
4.1	Betriebsarten	53			

1) Hinweise

Die vorliegenden Anweisungen enthalten wichtige Sicherheitsinformationen für die Installation; vor der Installation alle Anweisungen lesen. Dieses Handbuch auch für die Zukunft sorgfältig aufbewahren. Unter Berücksichtigung der Gefahren, die bei Installation und Bedienung auftreten können, muss die Installation für größte Sicherheit unter voller Einhaltung von Gesetzen, Vorschriften und Verordnungen erfolgen. In diesem Kapitel sind Hinweise allgemeiner Art gegeben; weitere wichtige Hinweise befinden sich in den Kapiteln "3.1 Vorprüfungen"; "6 Abnahme und Inbetriebsetzung

⚠ Nach der neuesten europäischen Gesetzgebung, gehört die Automatisierung einer Tür oder eines Tors zu den Verordnungen der Richtlinie 98/37/CE (Maschinenrichtlinie) und insbesondere zu den Vorschriften: EN 13241-1 (harmonisierte Norm); EN 12445; EN 12453 und EN 12635, die es erlauben, die Konformität mit der Maschinenrichtlinie zu erklären.

Weitere Auskünfte und Hinweise zur Analyse der Risiken und der Realisierung der Technischen Unterlagen stehen in www.niceforyou.com zur Verfügung. Die vorliegende Anleitung ist nur für technisches Personal bestimmt, das für die Installation qualifiziert ist. Mit Ausnahme der Anlage "Anweisungen und Hinweise für den Benutzer", die der Installateur abtrennen muss, ist keine im vorliegenden Heft enthaltene Information als interessant für den Endbenutzer zu betrachten!

- Ein Gebrauch der anders als in diesen Anweisungen vorgesehen ist, ist verboten. Ein unsachgemäßer Gebrauch kann Gefahren und Personen- oder Sachschäden verursachen.
- Vor der Installation ist die Risikoanalyse auszuführen, welche die Liste der wesentlichen Sicherheitsanforderungen, vorgesehen in Anlage I der Maschinenrichtlinie einschließt und die jeweiligen, angewendeten Lösungen angeben muss. Es wird daran erinnert, dass die Risikoanalyse eine der Unterlagen ist, die Bestandteil der "Technischen Dokumentation" der Automatisierung sind.
- Je nach Einsatzbedingungen und vorhandenen Gefahren prüfen, ob weitere Vorrichtungen und Materialien erforderlich sind, um die Automatisierung zu vervollständigen; berücksichtigt werden müssen zum Beispiel Aufprallgefahr, Quetsch- und Mitnehmgefahr usw. und sonstige Gefahren allgemein.
- Keine Änderungen an keinem Teil ausführen, falls nicht im vorliegenden Handbuch vorgesehen. Vorgänge dieser Art können nur Betriebsstörungen verursachen. NICE lehnt jegliche Haftung für Schäden aufgrund geänderter Produkte ab.
- Während Installation und Gebrauch vermeiden, dass Festteile oder Flüssigkeiten in die Steuerung und sonstige geöffnete Vorrichtungen eindringen können; wenden Sie sich ggf. an den NICE Kundendienst; der Gebrauch in solchen Situationen kann Gefahren verursachen.
- Der Automatismus darf erst verwendet werden, nachdem die Inbetriebsetzung ausgeführt wurde, wie in Punkt "6 Abnahme und Inbetriebsetzung" vorgesehen.
- Das Verpackungsmaterial muss unter voller Einhaltung der örtlichen Vorschriften entsorgt werden.
- Wenn ein Defekt mit den im vorliegenden Handbuch gegebenen Infos nicht beseitigt werden kann, wenden Sie sich bitte an den NICE Kundendienst.
- Wenn Automatikschalter oder Sicherungen ausgelöst werden, muss vor ihrer Rückstellung der Defekt festgestellt und beseitigt werden.
- Vor dem Zugriff auf die Klemmen im Deckel alle Kreisläufe der Versorgung abtrennen; falls die Abtrennvorrichtung nicht sichtbar ist, ein Schild mit der Aufschrift: "ACHTUNG - WARTUNG IM GANG" anbringen.

Besondere Hinweise über die Eignung dieses Produktes mit Bezug-

nahme auf die Richtlinie 98/37/CE (ex 89/392/CEE):

- Dieses Produkt wird als "Bestandteil einer Maschine" auf den Markt gegeben und daher hergestellt, um in eine Maschine eingegliedert oder mit anderen Maschinen zusammengebaut zu werden, mit dem Zweck, "eine Maschine" gemäß der Richtlinie 98/37/CE nur in Kombination mit anderen Bestandteilen und auf die im vorliegenden Handbuch beschriebenen Arten und Weisen zu realisieren. Wie von der Richtlinie 98/37/CE vorgesehen, wird darauf hingewiesen, dass die Inbetriebsetzung des oben genannten Produktes erst gestattet ist, nachdem die Maschine, in die dieses Produkt eingegliedert ist, als konform mit der Richtlinie 98/37/CE gekennzeichnet und erklärt worden ist.

Besondere Hinweise über die Eignung dieses Produktes mit Bezugnahme auf die Niederspannungsrichtlinie 73/23/CEE und die spätere Änderung 93/68/CEE:

- Dieses Produkt, falls für seinen Zweck eingesetzt und in den in der vorliegenden Anleitung vorgesehenen Konfigurationen und in Kombination mit den von Nice S.p.A. hergestellten Artikeln im Katalog entspricht den Anforderungen der Niederspannungsrichtlinie. Die Übereinstimmung mit den Anforderungen könnte nicht garantiert sein, wenn das Produkt in nicht vorgesehenen Konfigurationen oder mit anderen Produkten benutzt wird; der Gebrauch des Produktes in solchen Situationen ist untersagt, bis der die Installation Ausführende die Übereinstimmung mit den laut Richtlinie vorgesehenen Anforderungen überprüft hat.

Besondere Hinweise über die Eignung dieses Produktes mit Bezugnahme auf die Richtlinie 89/336/CEE "Elektromagnetische Verträglichkeit" und spätere Änderungen 92/31/CEE und 93/68/CE:

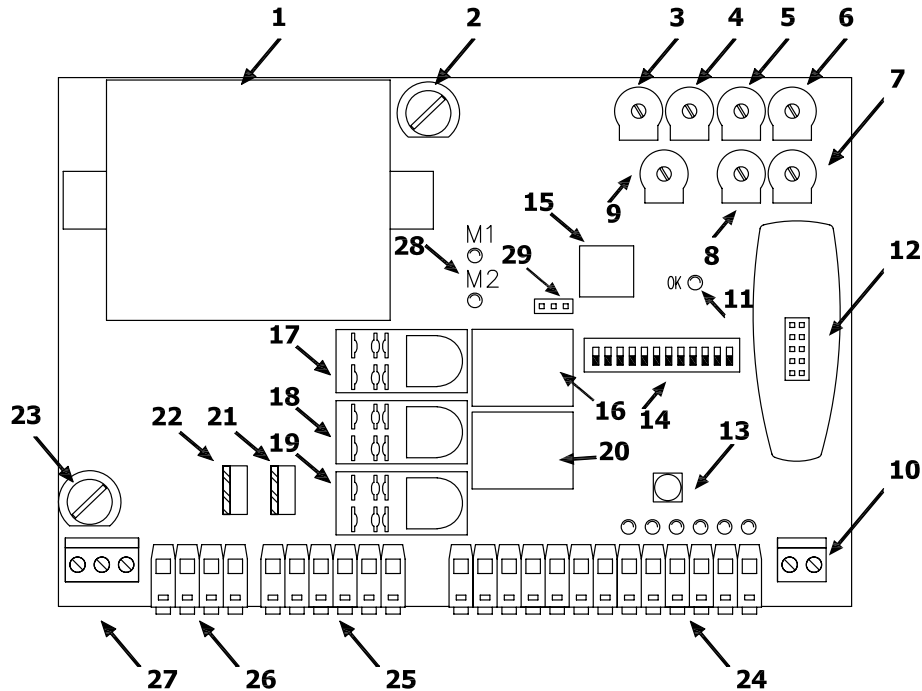
- Dieses Produkt in den in der vorliegenden Anleitung vorgesehenen Konfigurationen und in Kombination mit den von Nice S.p.A. hergestellten Artikeln im Katalog wurde unter den schwierigsten Einsatzbedingungen Tests der elektromagnetischen Verträglichkeit unterzogen. Die elektromagnetische Verträglichkeit könnte nicht garantiert sein, wenn das Produkt in nicht vorgesehenen Konfigurationen oder mit anderen Produkten benutzt wird; der Gebrauch des Produktes in solchen Situationen ist untersagt, bis der die Installation Ausführende die Übereinstimmung mit den laut Richtlinie vorgesehenen Anforderungen überprüft hat.

2) Beschreibung des Produktes

Mit dieser Steuerung für die Automatisierung von Toren und Türen können 2 Toröffner in einphasigem Wechselstrom betrieben werden. In der Steuerung sind "Dip-Switch" (Mini-Wählschalter) vorhanden, mit denen die verschiedenen Funktionen aktiviert werden können, und Trimmer zur Durchführung verschiedenartiger Einstellungen.

An der Steuerung, neben den Eingängen, befinden sich Leds, die ihren Zustand anzeigen; eine zuzügliche Led in der Nähe des Mikroprozessors meldet den korrekten Betrieb der internen Logik.

Damit die Teile leichter erkennbar sind, werden in **Abb.1** die wichtigsten Komponenten gezeigt.



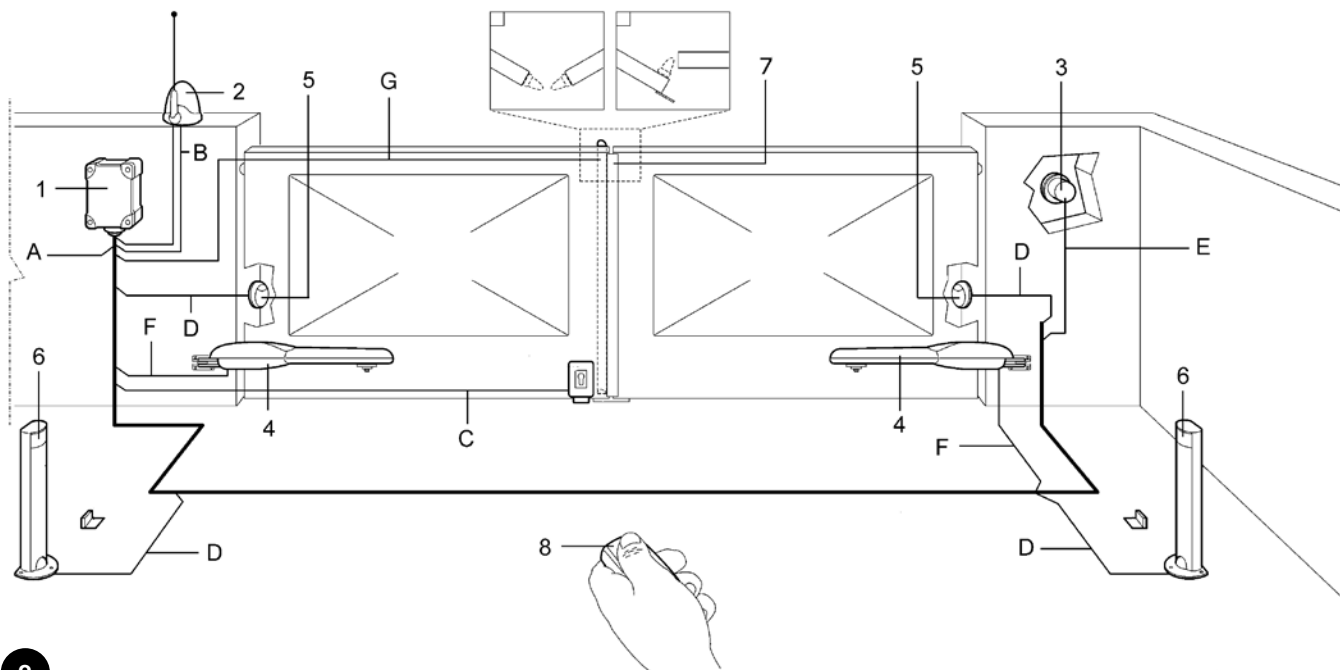
1

- | | | | |
|----|---|----|---|
| 1 | Transformator | 17 | "Gemeinsames" Relais der Motoren |
| 2 | Niederspannungssicherung (500 mA F) | 18 | Relais für zusätzliche Beleuchtung |
| 3 | Trimmer für Kräfteinstellung (F) | 19 | Relais für die Richtung der Auf/Zu-Bewegung |
| 4 | Trimmer für Einstellung der Pausenzeit (TP) | 20 | Relais für Photozellentest |
| 5 | Trimmer für Einstellung der Verzugszeit in Öffnung (TRA) | 21 | Triac Motor 2 |
| 6 | Trimmer für Einstellung der Arbeitszeit von Motor 1 (TL1) | 22 | Triac Motor 1 |
| 7 | Trimmer für Einstellung der Arbeitszeit von Motor 2 (TL2) | 23 | Schnellsicherung auf (5A 230 V W.S.) oder (6.3A 120 V W.S.)
Speisung |
| 8 | Trimmer für Einstellung der Verzugszeit in Schließung (TRC) | 24 | Klemmbrett Steuereingänge / -ausgänge |
| 9 | Ausgleich-Trimmer der Bewegung (BAL) | 25 | Klemmbretter Motorausgänge |
| 10 | Klemmbrett für Antenne | 26 | Klemmbrett Ausgänge für Blinkleuchte / zusätzliche Beleuchtung |
| 11 | OK-Led | 27 | Klemmbrett für Stromversorgung |
| 12 | Steckanschluss für Funksteuerung | 28 | Led für die Anzeige des Motorenbetriebs |
| 13 | Schrittzklus-Taste | 29 | Überbrückung zur Wahl der Verlangsamungsart (M-RAL) |
| 14 | Dip-Switch für die Auswahl der Funktionen | | |
| 15 | Mikroprozessor | | |
| 16 | Relais für Elektroschloss | | |

2.1) Einsatzgrenzen

Die Leistungsdaten der Produkte sind in Kapitel "9 Technische Merkmale" angegeben; sie ermöglichen als einzige Werte eine korrekte Bewertung der Eignung der Produkte.

2.2) Typische Anlage



2

- | | |
|--|----------------------------------|
| 1. Zentrale A60 | 5. Photozellenpaar (PHOTOZELLE) |
| 2. Blinkleuchte mit integrierter Antenne | 6. Photozellenpaar (PHOTOZELLE1) |
| 3. Schlüsseltaster | 7. Funksender |
| 4. Motoren | 8. Bewegliche Hauptleiste |

2.3) Kabelliste

In der typischen Anlage in Abbildung 2 sind auch die Kabel angegeben, die zur Verbindung der verschiedenen Vorrichtungen erforderlich sind; in Tabelle Nr. 1 sind die Merkmale der Kabel verzeichnet.

⚠ Die benutzten Kabel müssen für die jeweilige Installation geeignet sein; zum Beispiel wird ein Kabel des Typs H03VV-F zum Verlegen in Innenräumen empfohlen, oder des Typs H07RN-F für Außenanwendungen.

Tabelle Nr. 1: Kabelliste

Anschluss	Kabeltyp	Max. zulässige Länge
A: Elektrische Versorgungslinie	N°1 Kabel 3x1,5mm ²	30m (Anmerkung 1)
B: Blinkleuchte mit Antenne	N°1 Kabel 2x0,5mm ²	20m
	Nr. 1 abgeschirmtes Kabel des Typs G58	20m (vorzugsweise weniger als 5m)
C: Elektroschloss	N°1 Kabel 2x1mm ²	20m
D: Photozellen	N°1 Kabel 2x0,25mm ² (Tx)	30m
	N°1 Kabel 4x0,25mm ² (Rx)	30m
E: Schlüsseltaster	N°1 Kabel 4x0,25mm ²	30m
F: Motoren	N°1 Kabel 4x1,5mm ²	3m
G: Bewegliche Hauptleiste	N°1 Kabel 2x0,25mm ²	30m

Anmerkung 1: wenn das Versorgungskabel länger als 30m ist, muss ein Kabel mit größerem Querschnitt benutzt werden, z.B. 3x2,5mm² und eine Sicherheitserdung in der Nähe der Automatisierung ist erforderlich.

3) Installation

⚠ Die Installation muss von qualifiziertem Personal unter genauester Beachtung der Gesetze, Vorschriften und Verordnungen und der Angaben in den vorliegenden Anweisungen ausgeführt werden.

3.1) Vorprüfungen

Vor der Installation müssen folgende Kontrollen ausgeführt werden:

- Prüfen, dass das gesamte benutzte Material in bestem Zustand, für den Einsatz geeignet und mit den Vorschriften konform ist.
- Prüfen, dass die Struktur des Tors so ist, dass es automatisiert werden kann.
- Prüfen, dass sich die Befestigungsstellen der verschiedenen Vorrichtungen in stoßgeschützten Bereichen befinden und die Oberflächen ausreichend solide sind.
- Spezielle Kabelführungen oder Kabelrohre nur in den unteren Teil der Zentrale einsetzen, die Seitenwände und die obere Wand dürfen auf keinen Fall gelocht werden. Die Kabel dürfen nur von der unteren Seite her in die Zentrale eingehen!
- Entsprechende, mit dem Boden verankerte mechanische Endanschläge sowohl für die Öffnung als auch die Schließung installieren.
- Elemente des Automatismus sollten nicht in Wasser oder andere Flüssigkeit getaucht werden.
- A60 nicht in der Nähe von Wärmequellen oder Flammen oder in EXgefährdeter, salz- oder säurehaltiger Umgebung halten; dies kann Schäden und Betriebsstörungen an A60 sowie Gefahren verursachen.
- Sollte der Torflügel eine Eingangstür haben oder sich eine Tür im Bewegungsbereich des Torflügels befinden, ist sicher zu stellen, dass diese den normalen Lauf des Tors nicht behindert; ggf. für ein

geeignetes Verblockungssystem sorgen.

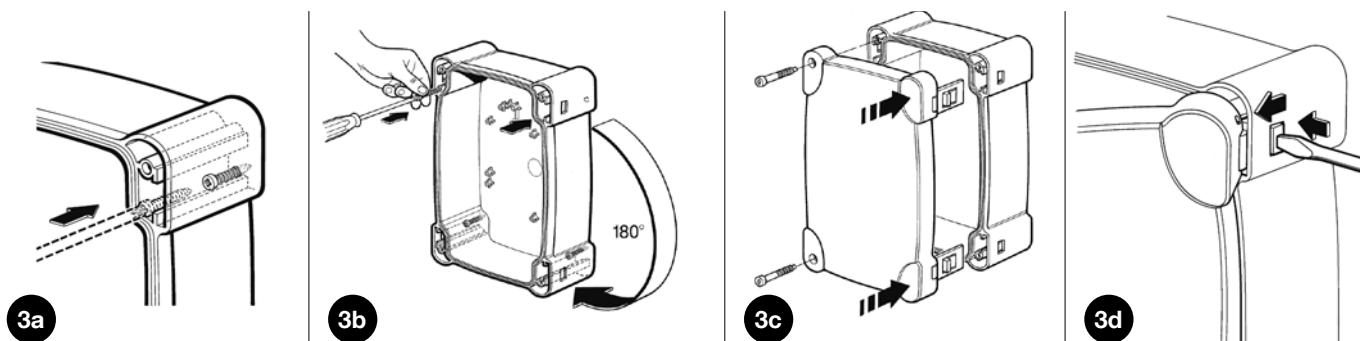
- Die Steuerung an eine elektrische Versorgungsleitung mit Sicherheitserdung anschließen.
- Die elektrische Versorgungsleitung muss durch eine geeignete magnetothermische Vorrichtung und Differentialschalter geschützt sein.
- Weiterhin muss eine Abtrennvorrichtung der Stromversorgung (mit Überspannungsklasse III bzw. Abstand zwischen den Kontakten von mindestens 3,5 mm) oder ein gleichwertiges System wie z.B. Steckdose und Stecker vorhanden sein. Sollte sich die Abtrennvorrichtung der Stromversorgung nicht in der Nähe der Automatisierung befinden, muss sie über ein Absperrsystem verfügen, dass vor einem unbeabsichtigten oder nicht genehmigten erneuten Anschluss schützt.

3.2) Befestigung

Die zwei Schrauben in ihre oberen Löcher einfügen und wie in Abb. 3a gezeigt auf der Führung gleiten lassen, dann teilweise anschrauben. Die Zentrale um 180° drehen und das gleiche mit den zwei anderen Schrauben ausführen. Die Zentrale an der Wand befestigen.

Den Deckel wie gewünscht aufsetzen (mit Rechts- oder Linksöffnung). Kräftig drücken, wo die Pfeile vorhanden sind.

Zum Abnehmen des Deckels mit einem Schraubenzieher auf den Einspannpunkt A drücken und gleichzeitig nach oben schieben.



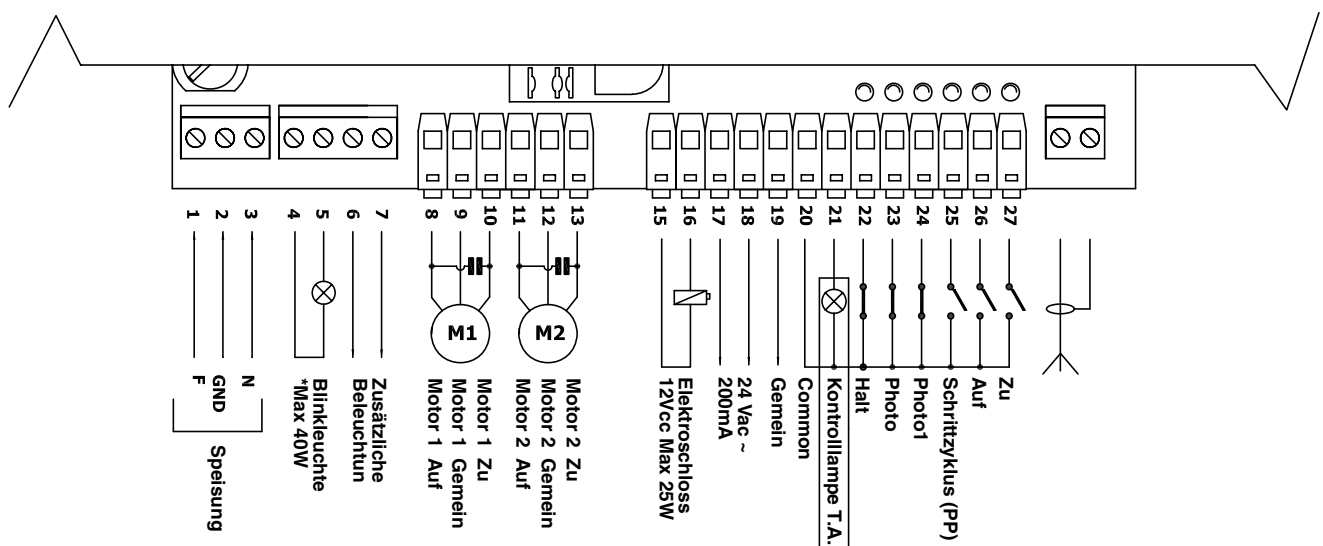
3.3) Elektrische Anschlüsse

⚠ Damit die Sicherheit des Bedieners gewährleistet wird und Schäden an den Komponenten vermieden werden, darf die Steuerung nicht gespeist sein, wenn die Anschlüsse durchgeführt oder die verschiedenen Karten eingeschaltet werden.

- Die Steuerung über ein Kabel mit Querschnitt $3 \times 1,5\text{mm}^2$ versorgen; ist der Abstand zwischen Steuerung und Erdschluss länger als 30m, muss ein Erdleiter in der Nähe der Steuerung vorgesehen werden.
- Für die Anschlüsse des Teils in Niedrigstspannung, Leiter mit einem Mindestquerschnitt von $0,25\text{mm}^2$ verwenden.
- Im Falle einer Länge über 30m abgeschirmte Kabel verwenden und das Geflecht nur auf der Seite der Steuerung erden.
- Anschlüsse an Kabeln, die sich in unterirdischen Gehäusen befinden, sind zu vermeiden, auch wenn das Gehäuse vollkommen dicht ist.
- NC-Eingänge (gewöhnlich geschlossene Eingänge), falls nicht benützt, sind mit dem "Gemeinen 24 V" zu überbrücken; außer die Eingänge der Photozellen, falls die Funktion Photozellentest eingeschaltet ist. Für weitere Erläuterungen siehe Abschnitt "Anmerkungen bezüglich der Anschlüsse" abschnitt "Photozellentest".
- Falls mehrere NC-Kontakte für den gleichen Eingang vorhanden sind, müssen sie untereinander SERIENGESCHALTET werden.
- NO-Eingänge (gewöhnlich geöffnete Eingänge), falls nicht benützt, sind frei zu lassen.
- Falls für den gleichen Eingang mehrere NO-Kontakte vorhanden sind, müssen sie untereinander PARALLELGESCHALTET werden.
- Die Kontakte müssen unbedingt mechanische Kontakte und frei von jedem Potential sein; stufenweise Anschlüsse wie "PNP", "NPN", "Open Collector" usw. sind unzulässig.

Die notwendigen Anschlüsse nach dem Plan in **Abb. 4** und der folgenden Beschreibung ausführen.

Es wird daran erinnert, dass es sowohl bezüglich der Sicherheit von Elektroanlagen als auch für automatische Tore präzise Vorschriften gibt, die genauestens zu beachten sind.



4

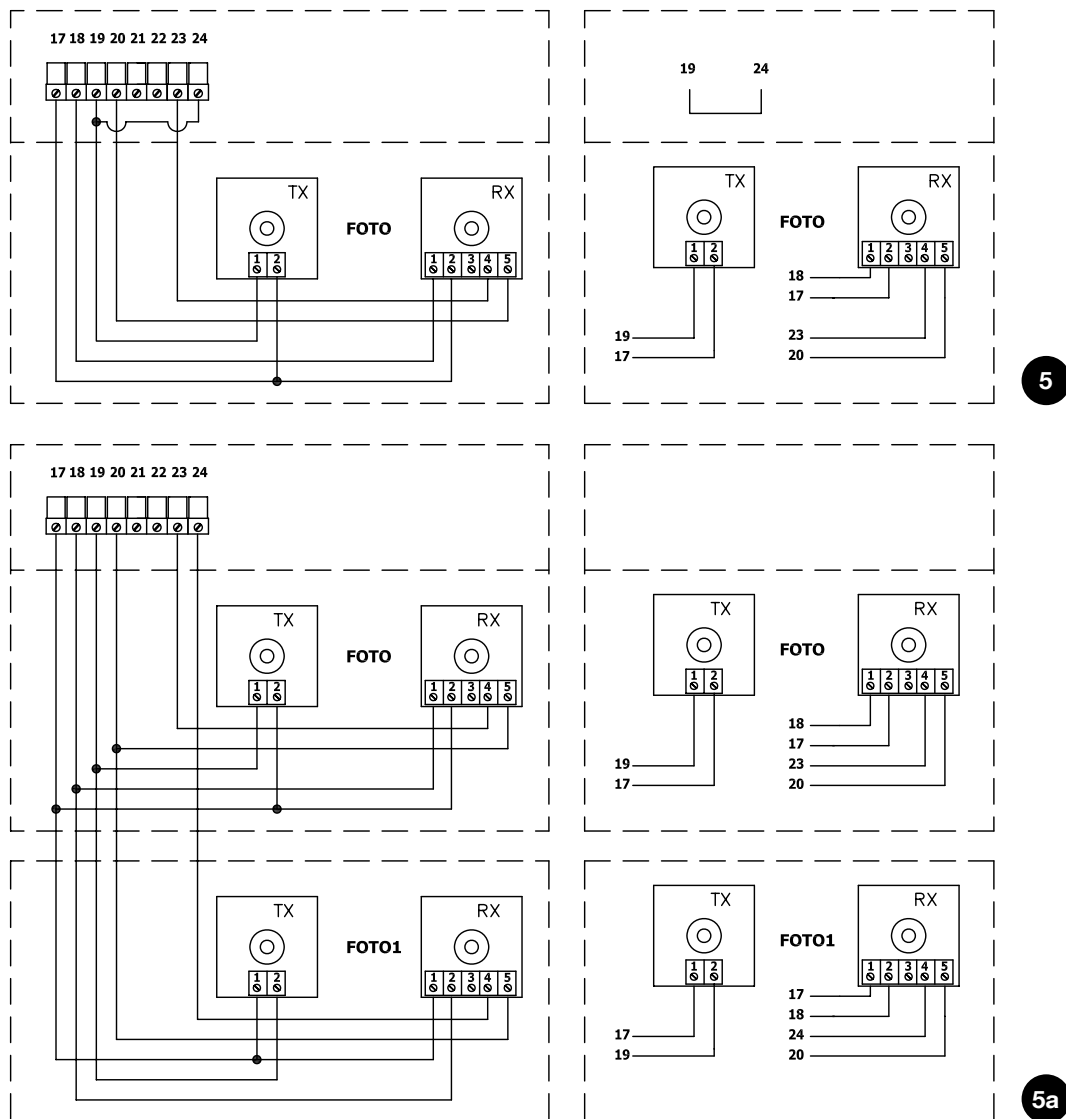
3.4) Beschreibung der Anschlüsse

Es folgt eine kurze Beschreibung der möglichen Anschlüsse der Steuerung nach außen.

Klemmen	Funktion	Beschreibung
1-2-3 :	Speisung =	Netzspannungsversorgung
4-5 :	Blinkleuchte =	Ausgang für Anschluss der Blinkleuchte mit Netzspannung (Max. 40W)
6-7 :	Zusätzliche Beleuchtung =	Ausgang mit spannungsfreiem Kontakt für den Anschluss der zusätzlichen Beleuchtung (Max. 5A)
8-9-10 :	Motor 1 =	Ausgang für die Steuerung von Motor 1
11-12-13 :	Motor 2 =	Ausgang für die Steuerung von Motor 2
15 - 16 :	Elektroschloss =	12 Vcc Ausgang für die Aktivierung des Elektroschlusses, Höchstleistung 25W
17 - 18 :	24 Vac =	24 Vac Versorgung der Nebenvorrichtungen (Max. 200 mA)
19 :	Phototest =	Ausgang Photozellentest ("TX"-Versorgung der Photozellen - Max. 75 mA)
20 :	Gemein =	Gemeinsamer Leiter für alle Eingänge
21 :	Kontrolllampe T.A. =	24 Vac Ausgang für die Kontrolllampe Tor geöffnet (Max. 2W)
22 :	Halt =	Eingang mit "Stop-Funktion" (Stop und kurze Umkehrung)
23 :	Photo =	Eingang für Sicherheitsvorrichtungen
24 :	Photo1 =	Eingang für weitere Sicherheitsvorrichtungen
25 :	Schrittzklus (PP) =	Eingang für zyklische Bewegung ("AUF" - "STOP" - "ZU" - "STOP")
26 :	Auf =	Eingang für Öffnung
27 :	Zu =	Eingang für Schließung
	Antenne =	Eingang Funkempfängerantenne

3.5) Anmerkungen bezüglich der Anschlüsse

Der Großteil der Anschlüsse ist sehr einfach, die meisten sind direkt mit nur einem Abnehmer oder Kontakt verbunden, bei einigen ist die Verbindung etwas schwieriger: Für den korrekten Betrieb aller Einphase-Asynchronmotoren wird ein Kondensator benötigt; einige Getriebemotoren, sind bereits mit innen angeschlossenem Kondensator ausgestattet, bei anderen muss dagegen der Kondensator außen angeschlossen werden. In diesem Fall muss der Kondensator zwischen den Motorphasen ÖFFNET und SCHLIEßT angeschlossen werden. Der Einfachheit halber sollte der Kondensator direkt in der Zentrale angebracht werden.



“Photozellentest” ist eine sehr gute Lösung, was die Zuverlässigkeit der Sicherheitsvorrichtungen betrifft, dank der die Einheit Steuerung mit Sicherheitsphotozellen in “Kategorie 2” gemäß der Norm UNI EN 954-1 (Ausgabe 12/1996) eingestuft wird.

Jedes Mal, wenn eine Bewegung erfolgt, werden die betreffenden Sicherheitsvorrichtungen kontrolliert, und erst wenn alles in Ordnung ist, wird die Bewegung beginnen. Ist der Test dagegen erfolglos (von der Sonne geblendete Photozelle, kurzgeschlossene Kabel, usw.), wird der Defekt festgestellt und die Bewegung findet nicht statt.

- Dip-Switch 10 auf ON stellen.
- Die Photozellen wie in **Abb. 5** (wenn man nur den Ausgang PHOTO benutzt) oder wie in **Abb. 5a** gezeigt (wenn man auch PHOTO1 benutzt) anschließen, wobei die Versorgung der Photozellensender nicht direkt am Ausgang der Nebeneinrichtungen, sondern am Ausgang “PHOTOZELLENTTEST” erfolgt. Der am Ausgang “PHOTOZELLENTTEST” anwendbare Höchststrom ist 75mA (3 Photozellenpaare).
- Die Empfänger direkt vom Ausgang Nebeneinrichtungen der Steuerung (Klemmen 17-18) versorgen.

Beschreibung des Vorgangs Photozellentest: wenn eine Bewegung verlangt ist, wird als erstes kontrolliert, ob alle betreffenden

Empfänger ihre Zustimmung geben, dann wird die Versorgung zu den Sendern abgeschaltet und geprüft, ob alle Empfänger diese Tatsache melden, indem ihre Zustimmung weggenommen wird; am Ende werden die Sender wieder mit Spannung versorgt und es wird erneut geprüft, ob die Zustimmung aller Empfänger vorhanden ist. Nur wenn diese Sequenz erfolgreich ausgeführt wird, wird eine Bewegung stattfinden.

Weiterhin sollte immer das Synchrosystem durch das Durchschneiden der dazu vorgesehenen Überbrückungen an den Sendern aktiviert werden; nur so kann gewährleistet werden, dass sich zwei Photozellenpaare nicht überschneiden. In den Anleitungen der Photozellen die Anweisungen für den “SYNCHRONISIERTE” Betrieb nachlesen.

Wenn ein mit PHOTOZELLENTTEST geprüfter Eingang nicht benutzt wird (z.B. PHOTO1), man aber trotzdem die Funktion Photozellentest will, so muss der nicht benutzte Eingang mit dem Ausgang PHOTOZELLENTTEST (Klemmen 19-24) überbrückt werden, siehe **Abb. 5a**.

Falls man die Funktion Photozellentest später nicht mehr verwenden will, genügt es, Dip-Switch 10 nach unten zu stellen.

3.6) Überprüfung der Anschlüsse

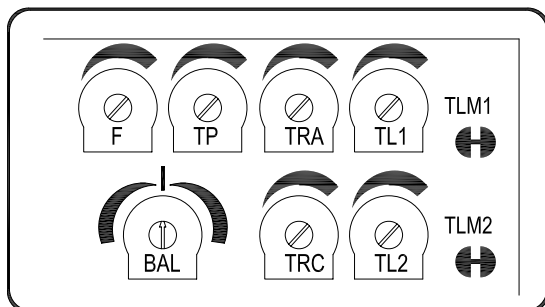
⚠ Bei Durchführung der nachfolgenden Arbeiten werden Sie an Kreisläufen arbeiten, die unter Spannung stehen; die meisten Teile der Kreisläufe stehen unter Niedrigstspannung und sind daher ungefährlich; einige Teile stehen unter Netzspannung, sie sind daher SEHR GEFÄHRLICH! Gehen Sie daher sehr vorsichtig vor und NIE ALLEIN!

- Die Steuerung mit Spannung versorgen und sofort prüfen, ob zwischen den Klemmen 17 – 18 ca. 24Vac vorhanden ist.
- Prüfen, ob die OK-Led nach kurzfristigem Schnellblinker auf ein regelmäßiges Blinken übergeht.
- Nun prüfen, ob die Leds der Eingänge mit NC-Kontakten eingeschaltet sind (alle Sicherheitsvorrichtungen aktiviert) und ob die Leds der NO-Eingänge abgeschaltet sind (kein Befehl vorhanden); im gegenteiligen Fall die Anschlüsse und Betriebstüchtigkeit der verschiedenen Vorrichtungen kontrollieren. Der Eingang von "Halt" spricht an, wenn sowohl FCA als auch FCC abgeschaltet sind.
- Die Torflügel entriegeln und auf Hälfte Lauf bringen, dannverriegeln, so dass sich die Torflügel sowohl in Öffnung als auch in Schließung frei bewegen können.
- Nun muss geprüft werden, ob die Bewegung in die korrekte Richtung erfolgt, d.h. ob die von der Steuerung vorgesehene Bewegung mit der tatsächlichen Bewegung der Torflügel übereinstimmt. Diese Überprüfung ist sehr wichtig; wenn die Richtung verkehrt ist, könnte der Automatismus in einigen Fällen (zum Beispiel im "Halbautomatischen" Betrieb) anscheinendordnungsgemäß funktionieren, da in der Tat der Zyklus "AUF" dem Zyklus "ZU" ähnlich ist, jedoch mit dem grundlegenden Unterschied, dass die Sicherheitsvorrichtungen beim Schließvorgang, der gewöhnlich der gefährlichste ist, ignoriert werden und bei der Öffnung ansprechen und ein erneutes Schließen verursachen werden, wobei das Hindernis mit verheerenden Wirkungen getroffen wird!
- Um zu prüfen, ob der Drehsinn korrekt ist, genügt ein kurzer Impuls auf den Eingang Schrittbetrieb; dann prüfen, ob sich der Automatismus in Öffnungsrichtung bewegt; falls die Bewegung dagegen in die falsche Richtung erfolgt:
 - muss die Spannungsversorgung abgeschaltet werden
 - müssen die falsch angeschlossenen Versorgungskabel des oder der Motoren umgewechselt werden (im Fall von M1 die Verbindung der Klemmen 8-10 umwechseln, wogegen im Fall von M2 die Verbindung der Klemmen 11-13 umgewechselt werden muss).
 - Nachdem das Beschriebene ausgeführt worden ist, erneut prüfen, ob der Drehsinn korrekt ist und gegebenenfalls den letzten Punkt wiederholen.

Die "OK"-Led in der Mitte der Karte in der Nähe des Mikroprozessors hat die Aufgabe, den Zustand der internen Logik zu melden: ein regelmäßiges Blinken einmal pro Sekunde bedeutet, dass der interne Mikroprozessor aktiv ist und auf Befehle wartet. Wenn der Mikroprozessor dagegen eine Änderung des Zustandes eines Eingangs wahrnimmt (sowohl Steuereingang als auch Dip-Switch der Funktionen), wird ein schnelles Doppelblinker verursacht, auch wenn diese Änderung keine sofortigen Wirkungen hat. Ein sehr schnelles, 3 S. langes Blinken bedeutet, dass die Steuerung soeben mit Spannung versorgt worden ist und einen Test der Innenteile ausführt; ein konstantes Blinken bedeutet, dass der Test nicht erfolgreich war und dass daher ein Defekt vorliegt.

4) Einstellungen

Le regolazioni sono effettuabili attraverso dei trimmer che agiscono modificando i seguenti parametri:



• ARBEITSZEITEN (TL1 TL2):

Die Arbeitszeiten regeln die Höchstdauer der Bewegung in Öffnung oder Schließung des Motors 1 (TL1) und des Motors 2 (TL2).

Die Einstellung der Trimmer (TL1 TL2) wirkt ab der ersten Öffnungsbewegung bei geschlossenem Tor (Arbeitszeit der 2 Torflügel beendet), daher die Trimmer immer einstellen, wenn sich das Tor in geschlossenem Zustand befindet.

Wenn man Toröffner mit elektrischem Endschalter oder mechanischen Endanschlägen benutzt, sollten die Endschalter bzw. die Endanschläge immer auf die maximale Öffnung oder Schließung der gewünschten Torflügel eingestellt werden.

Für die Einstellung der Arbeitszeiten TL, die Betriebsart "Halbautomatisch" wählen und den Dip-Switch 1 auf ON stellen, dann den Trimmer TL auf halben Weg regeln. Mit diesen Einstellungen einen Zyklus in Öffnung und in Schließung ausführen und gegebenenfalls den Trimmer TL so regulieren, dass während dieser Zeit die ganze Bewegung ausgeführt werden kann und noch eine Zeitspanne von 2 oder 3 Sekunden beim Anhalten aufgrund der elektrischen Endschalter (an Motoren mit Endschalter) oder der mechanischen Endanschläge bleibt.

Um zu prüfen, wann die Arbeitszeit der beiden Motoren endet, das Abschalten der Melde-Leds des Motorenbetriebs an der Steuerung kontrollieren (das Abschalten der Led entspricht dem Ende der Arbeitszeit des jeweiligen Motors).

Falls die Zeit nicht ausreicht, auch wenn der Trimmer auf das Maximum gestellt wird, kann die Überbrückung TLM1 durchgeschnitten werden, um die Arbeitszeit des Motors 1 zu verlängern, und die Überbrückung TLM2, um die Arbeitszeit des Motors 2 zu verlängern. Diese Überbrückungen befinden sich seitlich am jeweiligen Trimmer. Falls man die VERLANGSAMUNGSFUNKTION (Dip-Switch 8 auf ON) benutzen will, müssen die Trimmer Arbeitszeit so eingestellt werden, dass die Motoren die Verlangsamung 50 – 70 cm vor Erreichen der Endanschläge in Öffnung oder Schließung beginnen.

• VERZUGSZEIT IN ÖFFNUNG (TRA) UND IN SCHLIEßUNG (TRC):

Die Einstellungen der Trimmer Verzugszeit in Öffnung (TRA) oder Verzugszeit in Schließung (TRC) müssen geändert werden, falls das Tor aus 2 Torflügeln besteht, die sich bei gleichzeitigem Start gegenseitig behindern oder in Schließung überlagern können, so dass diese Probleme beseitigt werden.

TRA muss so eingestellt werden, dass sich der vom 2. Motor bewegte Torflügel bereits außerhalb des Bewegungsbereichs des anderen Torflügels befindet, wenn der vom 1. Motor betriebene Torflügel seine Bewegung beginnt.

TRC muss so eingestellt werden, dass bei der Schließbewegung der Torflügel des 2. Motors am Anschlag ankommt, wenn der 1. Motor die Schließbewegung bereits beendet hat.

• PAUSEZEIT (TP):

Zur Einstellung im "automatischen" Betrieb der Zeit zwischen dem Ende der Öffnungsbewegung und dem Anfang der Schließbewegung.

• KRAFT (F):

Besonders aufmerksam muss man bei der Einstellung des Trimmers KRAFT (F) sein, da diese Einstellung den Sicherheitsgrad der Automatisierung beeinflussen kann. Zur Einstellung mehrmalige Versuche machen, dabei die vom Torflügel angewendete Kraft messen und mit dem laut Vorschriften vorgesehenen Wert vergleichen.

• AUSGLEICH der Bewegungszeiten (BAL):

Mit dem in dieser Steuerung vorhandenen Trimmer AUSGLEICH können die Arbeitszeiten Öffnung und Schließung der Torflügel ausgeglichen werden.

Diese Funktion ist nützlich, wenn der Antrieb in den beiden Richtungen verschiedene Geschwindigkeiten hat, wie zum Beispiel im Fall von Hydraulikantrieben oder wenn die Torflügel in Öffnung und Schließung nicht ausgeglichen sind und unterschiedliche Beanspruchungen verursachen und daher verschiedene Zeiten für dieselbe Strecke benötigen.

Wenn daher das Tor in Schließung nicht ausgeglichen ist und die Öffnungsbewegung vor den mechanischen Endanschlägen enden kann, muss der Trimmer BAL im Uhrzeigersinn (AP) gedreht und die Arbeitszeit in Öffnung erhöht werden, bis die Verlangsamungen an der festgelegten Stelle beginnen (50 cm vor dem mechanischen Anschlag) und die Bewegung weitere 3-5 Sekunden dauert, nachdem die Torflügel die mechanischen Endanschläge erreicht haben.

Wenn das Tor dagegen in Öffnung unausglichen ist, muss es ausgeglichen werden, indem der Trimmer BAL gegen den Uhrzeigersinn (CH) gedreht und der Schließbewegung mehr Zeit gegeben wird.

Wenn der Trimmer genau in der Mitte reguliert ist, wird die Öffnungs- und Schließbewegung genau dieselbe Arbeitszeit haben.

4.1) Betriebsarten

Beim manuellen Betrieb ermöglicht der Eingang AUF die Bewegung in Öffnung, der Eingang ZU die Bewegung in Schließung, der Eingang SCHRITTBETRIEB die Bewegung abwechselnd in Öffnung und Schließung. Sobald die Eingangssteuerung beendet ist, hält die Bewegung an. In Öffnung und Schließung stoppt die Bewegung, wenn keine Eingangssteuerung vorhanden ist oder die Zustimmung der Sicherheitsvorrichtungen fehlt. Sowohl in Öffnung als auch in Schließung verursacht ein Eingriff auf HALT immer ein sofortiges Anhalten. Nachdem eine Bewegung gestoppt ist, muss die Eingangssteuerung beendet werden, bevor mit einer erneuten Steuerung eine neue Bewegung begonnen werden kann.

Bei einer der automatischen Betriebsarten (halbautomatisch, automatisch oder automatisch + schließt immer) verursacht ein Steuerimpuls auf den Eingang "AUF" eine Öffnungsbewegung. Ein Steuerimpuls auf SCHRITTBETRIEB verursacht ein abwechselnde Öffnen oder Schließen. Ein zweiter Impuls auf SCHRITTBETRIEB oder auf den Eingang, der die Bewegung begonnen hat, verursacht ein Stop.

Der Eingriff auf HALT verursacht sowohl in Öffnung als auch in Schließung das sofortige Anhalten der Bewegung und eine kurze Umkehrung.

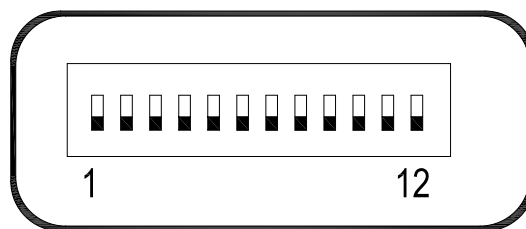
Wird an einem Steuereingang statt eines Impulses ein Dauersignal beibehalten, wird ein "Prioritätszustand" verursacht, in dem die anderen Steuereingänge deaktiviert bleiben (**nützlich für den Anschluss einer Uhr oder eines Tag-Nacht-Wählers**).

Ist die automatische Betriebsweise gewählt, wird nach einer Öffnungsbewegung eine Pause ausgeführt und danach eine Schließung. Falls während der Pause ein Ansprechen von PHOTO erfolgt, wird der Zeitgeber auf eine neue Pausezeit rückgestellt; sollte dagegen während der Pausezeit ein Eingriff auf HALT erfolgen, wird die Wiederschließfunktion gelöscht und man geht auf einen STOP-Zustand über.

In Öffnung hat das Ansprechen von PHOTO keine Wirkung, wogegen das Ansprechen von PHOTO in Schließung eine Umkehrung der Bewegung, dann eine Pause, dann ein erneutes Schließen verursacht.

5) Programmierung

Die Zentrale verfügt über eine Reihe Mikroschalter, mit denen die verschiedenen Funktionen aktiviert werden können, so dass die Anlage dem Bedarf des Benutzers besser angepasst werden kann und unter den verschiedenen Einsatzbedingungen sicherer ist. Alle Funktionen werden aktiviert, indem der entsprechende Dip-Switch auf "On" gestellt wird, wogegen sie mit dem Dip-Switch auf "Off" nichteingeschaltet sind; einige Funktionen haben keine sofortige Wirksamkeit und nur unter bestimmten Bedingungen einen Sinn.



⚠ ACHTUNG: einige der programmierbaren Funktionen sind an Sicherheitsaspekte gebunden; daher die Wirkungen einer Funktion sehr genau bewerten und überprüfen, welche die größtmögliche Sicherheit gibt.

Bei der Wartung einer Anlage, bevor man eine programmierbare Funktion ändert, den Grund genau festlegen, warum bei der Installation bestimmte Wahlen getroffen worden sind, dann überprüfen, ob die Sicherheit durch die neue Programmierung beeinträchtigt wird.

5.1) Programmierbare Funktionen

Mit dem Dip-Switch FUNKTIONEN können die verschiedenen Betriebsarten eingestellt und die gewünschten Funktion gemäß der folgenden Tabelle eingeschaltet werden:

Switch 1-2	Off Off	= "Manuelle" Bewegung, bzw. Totmannbetrieb
	On-Off	= "Halbautomatische" Bewegung
	Off-On	= "Automatische" Bewegung, bzw. Automatische Schließung
	On-On	= "Automatische + Schließt Immer" Bewegung
Switch 3	On	= Wohnblockbetrieb <nicht in der manuellen Betriebsart>
Switch 4	On	= Vorwarnen
Switch 5	On	= Schließt 5 S. nach "Photo" < falls in "automatisch" > oder Schließt nach "Photo" < falls in "halbautomatisch" >
Switch 6	On	= Sicherheit "Photo1" auch in Öffnung
Switch 7	On	= Druckstoß
Switch 8	On	= Verlangsamung
Switch 9	On	= Beibehaltung des Drucks
Switch 10	On	= Photozellentest
Switch 11	On	= zusätzliche Beleuchtung im Impulsmodus
Switch 12	On	= Schließt wird Öffnet Gehflügel

ANMERKUNG: Bestimmte Funktionen sind nur unter bestimmten Bedingungen möglich. Diese Funktionen sind zwischen "<...>" geschrieben.

5.2) Beschreibung der Funktionen

Wir geben nun eine kurze Beschreibung der Funktionen, die eingeschaltet werden können, indem der entsprechende Dip-Switch auf "On" gestellt wird:

- Switch 1-2:** Off Off = "Manuelle" Bewegung, bzw. Totmannbetrieb
On-Off = "Halbautomatische" Bewegung
Off-On = "Automatische" Bewegung, bzw. Automatische Schließung
On-On = "Automatische + Schließt Immer" Bewegung

In der "manuellen" Betriebsart wird die Bewegung nur bis zum Vorhandensein des Steuerbefehls (Taste gedrückt) ausgeführt.

In der "halbautomatischen" Betriebsart genügt ein Steuerimpuls, damit die gesamte Bewegung bis zum Ablauf der Arbeitszeit oder Erreichen des Endschalters ausgeführt wird. In der "automatischen" Betriebsart folgt nach einer Öffnung eine Pause und dann ein automatisches Schließen.

Die Funktion "Schließt immer" greift nach einem Stromausfall ein; falls das offene Tor wahrgenommen wird, wird automatisch ein Schließvorgang gestartet, dem ein 5 Sekunden langes Vorwarnen vorausgeht.

Switch 3: On = Wohnblockbetrieb (nicht in der manuellen Betriebsart) Im Wohnblockbetrieb kann nach dem Start einer Öffnungsbewegung die Bewegung nicht mehr durch andere Steuerimpulse auf SCHRITTBETRIEB oder AUF bis zum Ende der Öffnungsbewegung unterbrochen werden.

In der Schließbewegung verursacht ein neuer Steuerimpuls das Anhalten und die Umkehrung der Öffnungsbewegung.

Switch 4: On = Vorwarnen

Bei Steuerimpuls wird zuerst das Blinklicht aktiviert und nach 5 S. (2 S. in manueller Betriebsart) beginnt die Bewegung.

Switch 5: On = Schließt 5 S. nach "Photo" < falls in "automatisch" > oder Schließt nach "Photo" < falls in "halbautomatisch" >

Mit dieser Funktion, falls in der "Automatischen" Betriebsart, kann das Tor nur die für das Durchfahren notwendige Zeit geöffnet gehalten werden; nach dem Ansprechen von "PHOTO" wird die Bewegung angehalten. 5 S. danach wird automatisch eine Bewegung in Schließung beginnen. Falls in der halbautomatischen Betriebsart, aktiviert ein Ansprechen von "PHOTO" während der Schließbewegung das automatische Schließen je nach eingestellter Pausezeit.

Switch 6: On = Sicherheit "Photo1" auch in Öffnung

Gewöhnlich ist die Sicherheit "Photo1" nur bei der Schließung aktiviert, wenn der Dip-Switch 6 auf "On" gestellt wird, verursacht die Sicherheitsvorrichtung auch in Öffnung eine Unterbrechung der Bewegung. In "halbautomatisch" oder "automatisch" erfolgt erneut eine Öffnungsbewegung, wenn die Photozelle wieder frei ist.

Switch 7: On = Druckstoß

Wenn nicht selbsthemmende Toröffner benutzt werden und das Tor daher nicht allein durch den Schub der Motoren geschlossen bleibt, wird die Installation eines Elektroschlusses unbedingt nötig (für den Gebrauch siehe Anweisungen der Toröffner).

Am Elektroschloss könnte daher jener natürliche Schub vorhanden sein, der zu der leicht geöffneten Stellung der Torflügel führt, und manchmal ist dieser Schub so groß, dass der Einrastmechanismus des Elektroschlusses blockiert bleibt. Wenn die Funktion Druckstoß eingeschaltet ist, wird vor dem Beginn einer Öffnung ein kurzer Schließzyklus aktiviert, der jedoch wirkungslos ist, da sich die Torflügel bereits am Endanschlag Schließung befinden.

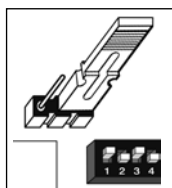
Das Elektroschloss wird jedoch dadurch nach seiner Aktivierung ohne jede Kraftbelastung sein und kann daher einrasten.

Switch 8: On = Verlangsamung

Die Verlangsamung besteht aus einer Herabsetzung der Geschwindigkeit auf 30% der Nenngeschwindigkeit, so dass sich die Aufprallkraft in den Bereichen Öffnung und Schließung des Tors reduziert. Die Soft-Stopp-Funktion reduziert neben der Geschwindigkeit der Automation auch das Drehmoment der Antriebe um 70%.

An Automationen, die ein hohes Drehmoment erfordern, könnte diese Drehmomentreduzierung das Anhalten der Antriebe verursachen. Daher ist die Funktion an schweren Toren oder mit hoher Reibung nicht aktivierbar.

Nachdem die Soft-Stopp-Funktion aktiviert ist, muss der Trimmer Arbeitszeit (TL) reguliert werden, da der Anfang der Verlangsamung an die eingestellte Arbeitszeit gebunden ist. Die Arbeitszeit daher so regulieren, dass die Verlangsamung ca. 50 cm vor den mechanischen Endanschlägen beginnt und die Bewegung weitere 3-5 Sekunden nach dem mechanischen Endanschlag fortgesetzt wird. An der Steuerung befindet sich eine Überbrückung (M-RAL), mit der man zwischen einer VERLANGSAMUNG mit Drehmomentreduzierung von 70% und einer Drehmomentreduzierung von 60% für schwerere Tore wählen kann.



Drehmomentreduzierung um 70%



Drehmomentreduzierung um 60%

Zu bemerken ist, dass das Geräusch der Antriebe während der Verlangsamung etwas lauter sein wird.

Vor der Regulierung der Verlangsamungen bitte Par. "4 Einstellungen" lesen, insbesondere was die Funktionsweise des Ausgleichs-Trimmers (BAL) betrifft.

Switch 9: On = Druckerhaltung

Bei den öldynamischen Toröffnern wird der Schub, um das Tor geschlossen zu halten, in einem immer unter Druck stehendem, hydraulischem Kreislauf entwickelt. Wenn die Dichte dieses Kreislaufs durch Alter und Verschleiß reduziert wird, kann es vorkommen, dass der Innendruck nach ein paar Stunden fällt, mit dem folgenden Risiko einer leichten Öffnung der Torflügel.

Wenn die Funktion Druckerhaltung eingeschaltet wird, aktiviert sich alle 4 Stunden, in denen das Tor geschlossen ist, eine kurze Schließbewegung, die nur den Zweck hat, den Druck im hydraulischen Kreislauf wieder aufzuladen.

Switch 10: On = Photozellentest

Mit dieser Funktion kann bei Beginn einer jeden Bewegung die Betriebstüchtigkeit der Photozellen kontrolliert werden. Siehe Abschnitt PHOTOZELLENTTEST.

Switch 11: On = Zusätzliche Beleuchtung im Impulsmodus

In diesem Modus wird der spannungsfreie Kontakt des Ausgangs der zusätzlichen Beleuchtung am Beginn einer jeden Öffnungs- oder Schließbewegung 1 Sekunde lang geschlossen bleiben, so dass einem eventuellen, externen Timer ein Steuerimpuls gegeben werden kann.

Switch 12: On = SCHLIEßT wird GEHFLÜGELFUNKTION

In diesem Modus verliert der Eingang SCHLIEßT seine ursprüngliche Funktionsweise und wird zu einem Gehflügeleingang im Schrittbetrieb, so dass nur der Torflügel geöffnet werden kann, der von Motor 2 gesteuert ist, damit ein Fußgänger durchgehen kann.

Der Zyklus Öffnet Gehflügel aktiviert sich nur, wenn das Tor geschlossen ist, der Impuls auf den Eingang hat dagegen keine Wirkung, wenn sich das Tor bewegt oder bereits geöffnet ist.

6) Prüfung

Nachdem die Überprüfungen und Einstellungen beendet sind, kann man auf die Prüfung der Anlage übergehen.

⚠ Die Automatisierung muss von erfahrenem Fachpersonal geprüft werden, das die vorzusehenden Tests je nach vorhandenem Risiko festzulegen hat.

Die Prüfung ist das Wichtigste bei der Durchführung der ganzen Automatisierung. Jedes einzelne Teil wie Motor, Notstop, Photozellen usw. kann eine spezielle Prüfung erfordern, daher wird empfohlen, sich an die Verfahren in den jeweiligen Anleitungen zu halten.

Für die Prüfung der Steuerung sind der Reihe nach folgende Schritte auszuführen:

1. Auswahl der Funktionen:
 - Den Dip-Switch 1 auf ON stellen (halbautomatischer Betrieb). Alle anderen Dip-Switch auf OFF stellen
2. Auf die Steuertaste "Auf" drücken und prüfen, ob:
 - sich die Blinkleuchte aktiviert
 - eine Öffnungsbewegung beginnt
 - die Bewegung anhält, wenn der Endanschlag in Öffnung erreicht wird.
3. Auf die Steuertaste "Zu" drücken und prüfen, ob:
 - sich die Blinkleuchte aktiviert
 - eine Schließbewegung beginnt
 - die Bewegung anhält, wenn der Endanschlag in Schließung erreicht wird.
4. Eine Bewegung in Öffnung beginnen und prüfen, ob das Ansprechen einer Vorrichtung während der Bewegung:
 - die am Eingang Halt angeschlossen ist, ein umgehendes Anhalten der Bewegung und eine kurze Umkehrung verursacht
 - die am Eingang Photo angeschlossen ist, keine Wirkung hat
5. Eine Bewegung in Schließung beginnen und prüfen, ob das Ansprechen einer Vorrichtung während der Bewegung:

- die am Eingang Halt angeschlossen ist, ein umgehendes Anhalten der Bewegung und eine kurze Umkehrung verursacht
 - die am Eingang Photo angeschlossen ist, das Anhalten und die Umkehrung der Bewegung verursacht
 - die am Eingang Photo1 angeschlossen ist, das Anhalten und die Umkehrung der Bewegung verursacht.
6. An den angeschlossenen Eingängen überprüfen, ob die Aktivierung des Eingangs einen Schritt der Sequenz verursacht:
 - Eingang Schrittbetrieb: Sequenz = Auf – Stop – Zu – Stop
 - Eingang Auf: Sequenz = Auf – Stop – Auf – Stop
 - Eingang Zu: Sequenz = Zu – Stop – Zu – Stop
 7. Falls die Funktion Photozellentest benützt wird, die Effizienz des Test überprüfen:
 - Die Photozelle "Photo" abblenden, dann eine Bewegung beginnen und prüfen, dass diese nicht ausgeführt wird
 - Die Photozelle "Photo1" abblenden, dann eine Bewegung beginnen und prüfen, dass diese nicht ausgeführt wird
 - Den Kontakt der Photozelle "Photo" kurzschließen, dann eine Bewegung beginnen und prüfen, dass diese nicht ausgeführt wird
 - Den Kontakt der Photozelle "Photo1" kurzschließen, dann eine Bewegung beginnen und prüfen, dass diese nicht ausgeführt wird
 8. Die Tests für die Messung der Aufprallkraft durchführen, wie von der Vorschrift EN 12445 vorgesehen.

Werden am Ende der Prüfung weitere Funktionen aktiviert, welche die Sicherheit der Anlage reduzieren können, so sind diese Funktionen besonders zu prüfen.

6.1) Inbetriebsetzung

Die Inbetriebsetzung darf erst erfolgen, nachdem alle Abnahmephasen von RUN sowie der anderen Vorrichtungen erfolgreich beendet sind. Eine teilweise oder vorübergehende Inbetriebsetzung ist unzulässig.

1. Die technischen Unterlagen der Automatisierung zusammenstellen und diese mindestens 10 Jahre lang aufbewahren. Sie müssen mindestens umfassen: Gesamtzeichnung der Automatisierung, Schaltplan mit den elektrischen Anschlüssen, Risikoanalyse und jeweilige angewendete Lösungen, Konformitätserklärung des Herstellers für alle benutzten Vorrichtungen (für A60 die anliegende "CEKonformitätserklärung" verwenden), Kopie der Bedienungsanweisungen und des Wartungsplans der Automatisierung.
2. Am Tor ein Schild mit mindestens folgenden Daten anbringen: Automatisierungstyp, Name und Adresse des Herstellers (Verantwortlicher der "Inbetriebsetzung"), Seriennummer, Baujahr und CEMarkierung.
3. In Tornähe auf bleibende Art ein Etikett oder ein Schild befestigen, das die Angaben zur Durchführung der Entriegelung und der Bewegung von Hand enthält.

4. Die Konformitätserklärung der Automatisierung anfertigen und dem Inhaber aushändigen.
5. Das Handbuch "Anweisungen und Hinweise für die Bedienung der Automatisierung" anfertigen und dem Inhaber der Automatisierung übergeben.
6. Den Wartungsplan der Automatisierung anfertigen und dem Inhaber aushändigen (er muss alle Wartungsvorschriften der einzelnen Vorrichtungen enthalten).
7. Vor der Inbetriebsetzung des Automatismus, den Inhaber auf geeignete Weise und schriftlich (z.B. in den "Anweisungen und Hinweise für die Bedienung der Automatisierung") über die noch vorhandenen Gefahren und Risiken informieren.

7) Wartung und Entsorgung

⚠ Dieses Kapitel enthält die Informationen zur Anfertigung des Wartungsplans! rtungsplans und für die Entsorgung von A60.

7.1) Wartung

Um das Sicherheitsniveau konstant zu halten und die längste Dauer der ganzen Automatisierung zu garantieren, ist eine regelmäßige Wartung erforderlich.

Die Wartung muss unter genauester Einhaltung der im vorliegenden Handbuch verzeichneten Sicherheitsbestimmungen und der Verordnungen der gültigen Gesetze und Vorschriften ausgeführt werden.

Sollten Vorrichtungen vorhanden sein, die anders als **A60** sind, das in ihrem Wartungsplan vorgesehene ausführen.

1. Für A60 ist max. innerhalb von 6 Monaten oder 10.000 Bewe-

gungen nach der vorherigen Wartung eine programmierte Wartung erforderlich.

2. Alle elektrischen Versorgungsquellen abtrennen.
3. Die Verschlechterung aller Materialien der Automatisierung überprüfen, mit besonderer Achtung auf Erosions- oder Roststellen an strukturellen Teilen; Teile, die nicht genügend Garantie geben, müssen ersetzt werden.
4. Die elektrischen Versorgungsquellen wieder anschließen und alle in Punkt "6 Abnahme" vorgesehenen Tests und Überprüfungen ausführen.

7.2) Entsorgung

Wie die Installation muss auch die Entsorgung am Lebensende dieses Produktes durch Fachpersonal ausgeführt werden.

Das vorliegende Produkt besteht aus verschiedenen Werkstoffen, von denen einige recycled werden können. Andere müssen dagegen entsorgt werden. Informieren Sie sich über die für diese Produkte örtlich vorgesehenen Entsorgungs- und Recyulingsysteme.

⚠ Einige Teile des Produktes können Schadstoffe oder gefährliche Substanzen enthalten, die - falls in die Umwelt gegeben - Umwelt- und Gesundheitsschäden verursachen würden.

Wie das Symbol in Abbildung angibt, darf dieses Produkt nicht in den Hausmüll gegeben werden. Differenziert und nach den örtlich vorgesehenen Verordnungen entsorgen oder das Produkt dem Verkäufer beim Kauf eines neuen, gleichwertigen Produktes zurückgeben.



Die örtlichen Verordnungen können schwere Strafen im Fall einer gesetzwidrigen Entsorgung dieses Produktes vorsehen.

8) Zubehör

Karte RADIO

An der Steuerung befindet sich ein Verbinder für das Einstecken einer SM-Radiokarte, über die der Eingang betätigt werden kann, wodurch die Steuerung über einen Sender ferngesteuert wird.

Ausgang 1 Schrittbetrieb
Ausgang 2 Gehflügelfunktion
Ausgang 3 öffnet
Ausgang 4 schließt

9) Technische Merkmale

Für eine Verbesserung der Produkte behält sich NICE S.p.A. das Recht vor, die technischen Merkmale jederzeit und ohne vorherige Benachrichtigung zu ändern, wobei aber die vorgesehenen Funktionalitäten und Einsätze garantiert bleiben.

Alle technischen Merkmale beziehen sich auf eine Umgebungstemperatur von 20°C (±5°C).

Modell Typ:	A60	A60/V1
Speisung	230 Vac ± 10%, 50 - 60 Hz	120 Vac ± 10%, 50 - 60 Hz
Höchstleistung der Torantriebe	300 W [1,3 A]	300 W [2,5 A]
Höchstleistung des Blinklichtes	100W	
Max. Häufigkeit der Betriebszyklen	undegrenzt	
Max. Dauerbetriebszeit	undegrenzt	
Höchststrom der 24 V W.S. Zubehörteile	200 mA	
Höchststrom des Photozellentestausgangs	75 mA	
Höchstleistung Kontrollampe T.O. (24Vac)	2 W	
Höchstleistung Elektroschloss 12 Vac	15 VA	
Arbeitszeit	von 2,5 bis 40 sek. (von 40 bis 80 sek. mit TLM)	
Pausezeit	von 5 bis 80 sek.	
Verzugszeit Öffnung (TRA)	0 oder von 2.5 bis 12 sek.	
Verzugszeit Schließung (TRC)	0 oder von 2.5 bis 12 sek.	
Verzugszeit Ausgleich (BLA)	von 0 bis 8 sek.	
Krafteinstellung	von 0 bis 100 %	
Betriebstemperatur	-20 ÷ 50 °C	
Maße	280 x 220 x 110 mm	
Gewicht	1,9 kg	
Schutzgrad	IP 55 (unbeschädigte Box)	

• **Bevor Sie die Automatisierung zum ersten Mal verwenden**, lassen Sie sich von Ihrem Installateur erklären, wie Restrisiken entstehen können, und widmen Sie dem Lesen der **Anweisungen und Hinweise für den Benutzer**, die Ihnen Ihr Installateur aushändigen wird, ein paar Minuten. Bewahren Sie die Anleitung für zukünftige Zweifelsfälle auf und übergeben Sie diese ggf. einem neuen Besitzer der Automatisierung.

• **Ihre Automatisierung ist eine Maschine, die Ihre Befehle getreu durchführt**; ein verantwortungsloser und unsachgemäßer Gebrauch kann gefährlich werden: verursachen Sie keine Bewegung der Automatisierung, wenn sich Personen, Tiere oder Gegenstände in ihrem Aktionskreis befinden.

• **Kinder**: eine Automatisierungsanlage gewährleistet einen hohen Sicherheitsgrad und verhindert mit ihren Schutzsystemen, dass sie sich bei Anwesenheit von Personen und Gegenständen bewegt, und gewährleistet eine immer vorhersehbare und sichere Aktivierung. Als Vorsichtsmaßnahme sollte man aber Kindern verbieten, in der Nähe der Automatisierung zu spielen, und man sollte die Fernbedienungen nicht in der Reichweite von Kindern lassen: es handelt sich **nicht um ein Spiel!**

• **Die Photozellen sind keine Sicherheitsvorrichtung**, sondern nur eine Hilfseinrichtung zur Sicherheit. Sie sind mit einer sehr zuverlässigen Technologie hergestellt, können aber unter extremen Bedingungen Betriebsstörungen unterliegen oder defekt werden; in bestimmten Fällen könnte der Defekt nicht sofort augenscheinlich sein.

Aus diesen Gründen und als allgemeine Sicherheitsvorschriften gilt daher:

- Die Durchfahrt ist nur gestattet, wenn das Tor ganz geöffnet ist und sich die Torflügel nicht bewegen.

- **DIE DURCHFABRT IST UNTERSAGT**, solange sich das Tor schließt!

Den korrekten Betrieb der Photozellen regelmäßig überprüfen und die vorgesehenen Kontrollen / Wartungsarbeiten mindestens alle 6 Monate ausführen lassen.

• **Störungen**: schalten Sie die Stromversorgung zur Anlage ab, sobald Sie ein ungewöhnliches Verhalten der Automatisierung bemerken, und führen Sie die manuelle Entriegelung aus. Versuchen Sie nie, selbst Reparaturen auszuführen, sondern fordern Sie den Eingriff Ihres Vertrauensinstallateurs an: in der Zwischenzeit, nachdem Sie den Getriebemotor wie weiter vorne beschrieben entriegelt haben, kann die Anlage wie eine nicht automatisierte Vorrichtung funktionieren.

• **Wartung**: wie jede Maschine benötigt auch Ihre Automatisierung eine regelmäßige Wartung, damit sie so lange wie möglich und in voller Sicherheit funktionieren kann. Vereinbaren Sie mit Ihrem Installateur einen programmierten Wartungsplan. Nice empfiehlt eine programmierte Wartung alle sechs Monate bei Normalgebrauch für den Haushalt, dieser Zeitraum kann aber je nachdem, wie häufig die Anlage benutzt wird, unterschiedlich sein. Arbeiten wie Wartung, Kontrollen und Reparaturen dürfen nur von Fachpersonal ausgeführt werden.

• Auch wenn Sie meinen, dass Sie wissen, wie das gemacht wird, ändern Sie die Anlage und die programmierten Parameter sowie die Einstellungen der Automatisierung nicht: diese Verantwortung steht Ihrem Installateur zu.

• Die Endabnahme, die periodischen Wartungen und eventuelle Reparaturen müssen von dem, der diese Arbeiten ausführt, belegt sein, und diese Belege müssen vom Besitzer der Anlage aufbewahrt werden.

Die einzigen Eingriffe, die Sie ausführen und periodisch auch ausführen sollten, sind die Reinigung der Gläser an den Photozellen und die Entfernung eventueller Blätter oder Steine, die den Auto-

matismus behindern könnten. Um zu verhindern, dass jemand das Tor betätigt, entriegeln Sie vor diesen Arbeiten den Automatismus. Zur Reinigung nur ein mit Wasser leicht benetztes Tuch verwenden.

• **Entsorgung**: Versichern Sie sich, dass die Entsorgung am Ende der Lebensdauer Ihrer Automatisierung von Fachpersonal gemacht wird und dass die Materialien nach den örtlich gültigen Vorschriften recycled oder entsorgt werden.

• **Im Falle von Defekten oder bei Stromausfall**: Warten Sie auf Ihren Installateur oder bis der Strom wieder vorhanden ist, falls Ihre Anlage keine Pufferbatterie hat; die Anlage kann wie eine beliebige nicht automatisierte Öffnungsvorrichtung betätigt werden. Dazu muss die manuelle Entriegelung ausgeführt werden. Dieser Vorgang, der einzige, den der Benutzer der Automatisierung ausführen kann, wurde mit besonderer Aufmerksamkeit von Nice behandelt, damit Sie diese Vorrichtung immer mit größter Einfachheit, ohne Werkzeug und ohne körperliche Anstrengungen betätigen können.

• **Ersatz der Batterie der Fernbedienung**: falls Ihre Funksteuerung nach einiger Zeit anscheinend schlechter oder gar nicht funktioniert, so könnte das ganz einfach von der leeren Batterie abhängen (je nach Batterie kann das nach mehreren Monaten bis zu über einem Jahr geschehen). Sie können das an dem Leuchtmelder bemerken, der die Sendung bestätigt und nur schwach oder gar nicht oder nur ganz kurz leuchtet. Bevor Sie sich an den Installateur wechseln, versuchen Sie, die Batterie mit der eines anderen, funktionierenden Senders auszuwechseln: sollte das die Ursache sein, genügt es, die alte Batterie mit einer anderen gleichen Typs auszuwechseln. Batterien enthalten Schadstoffe: nicht in den Hausmüll geben, sondern nach den örtlichen Vorschriften entsorgen.



Índice:	pág.				
1	Advertencias	59	5	Programación	67
2	Descripción del producto	60	5.1	Funciones programables	67
2.1	Límites de utilización	61	5.2	Descripción de las funciones	68
2.2	Instalación típica	61	6	Ensayo	69
2.3	Lista de cables	61	6.1	Puesta en servicio	69
3	Instalación	62	7	Mantenimiento y desguace	70
3.1	Controles preliminares	62	7.1	Mantenimiento	70
3.2	Fijación	62	7.2	Desguace	70
3.3	Conexiones eléctricas	63	8	Accesorios	70
3.4	Descripción de las conexiones	63	9	Características técnicas	70
3.5	Notas sobre las conexiones	64			
3.6	Control de las conexiones	65			
4	Regulaciones	66			
4.1	Modos de funcionamiento	67			

1) Advertencias

Este manual de instrucciones contiene informaciones importantes en materia de seguridad para la instalación; es necesario leer detenidamente todas las instrucciones antes de comenzar la instalación. Conserve este manual en buenas condiciones para su consultación posterior.

Considerando las situaciones de peligro que pueden generarse durante la instalación y el uso oportuno que también la instalación sea realizada respetando plenamente las leyes, normas y reglamentos. En este capítulo se indicarán las advertencias de tipo general; otras advertencias importantes están presentes en los capítulos “3.1 Controles preliminares”; “6 Ensayo y puesta en servicio”.

⚠ Según la legislación europea más reciente, la realización de una puerta o portón automático entra en el ámbito de las disposiciones de la Directiva 98/37/CE (Directiva de Máquinas) y, en particular, en las normas: EN 13241-1 (norma armonizada); EN 12445; EN 12453 y EN 12635, que permiten declarar la conformidad con la directiva de máquinas.

Otras informaciones, directrices para el análisis de los riesgos y la realización del Expediente Técnico están disponibles en: “www.niceforyou.com”. Este manual está destinado exclusivamente a personal técnico cualificado para la instalación. Salvo el anexo específico, que el instalador se encargará de separar, “Instrucciones y advertencias para el usuario ninguna de las informaciones aquí incluidas puede ser de interés para el usuario final.

- Está prohibido utilizar con una finalidad diferente de aquella dispuesta en estas instrucciones; un uso inadecuado puede causar peligros o daños a las personas o bienes.
- Antes de comenzar la instalación, es necesario realizar el análisis de los riesgos, que incluye la lista de los requisitos esenciales de seguridad previstos en el anexo I de la Directiva de Máquinas, indicando las relativas soluciones adoptadas. Recuérdese que el análisis de los riesgos es uno de los documentos que forman el “expediente técnico” de la automatización.
- Compruebe si es necesario incorporar otros dispositivos que puedan servir para completar el automatismo según la situación de empleo específica y los peligros presentes: por ejemplo, deben considerarse los peligros de choque, aplastamiento, amputación, arrastre, etc. y otros peligros en general.
- No modifique ninguna parte salvo que esté previsto en estas instrucciones; los trabajos de este tipo pueden causar solamente desperfectos; NICE no es responsable de los daños que deriven de productos modificados.
- Durante la instalación y el uso procure que no puedan entrar elementos sólidos o líquidos dentro de la central o de otros dispositivos abiertos; de ser oportuno, diríjase al servicio de asistencia NICE; el uso en situaciones análogas puede originar situaciones peligrosas.
- El automatismo no puede utilizarse antes de haberlo puesto en servicio tal como especificado en el capítulo: “6 Ensayo y puesta en servicio”.
- El material de embalaje debe eliminarse respetando la normativa local.
- Si el desperfecto no pudiera resolverse utilizando las informaciones indicadas en este manual, diríjase al servicio de asistencia NICE.
- Si se desconectaran los interruptores automáticos o los fusibles, antes de restablecerlos hay que localizar y eliminar la avería.
- Antes de acceder a los bornes en el interior de la tapa, desconecte todos los circuitos de alimentación; si el dispositivo de desconexión no queda a la vista, colóquele un cartel: “ATENCIÓN MANTENIMIENTO EN CURSO”.

Advertencias especiales sobre la idoneidad para el uso de este

producto con relación a la Directiva de “Máquinas” 98/37/CE (ex 89/392/CEE):

- Este producto se comercializa como “componente de máquina” y es fabricado para ser incorporado en una máquina o para ser ensamblado con otras maquinarias, a fin de realizar “una máquina”, con arreglo a la Directiva 98/37/CE, sólo combinándolo con otros componentes y según las pautas descritas en este manual de instrucciones. Tal como previsto por la directiva 98/37/CE, se advierte que no se permite la puesta en servicio de este producto hasta que el fabricante de la máquina, donde se incorporará el producto, no la haya identificado y declarado conforme a la directiva 98/37/CE.

Advertencias especiales sobre la idoneidad para el uso de este producto con relación a la Directiva “Baja Tensión” 73/23/CEE y su modificación posterior 93/68/CEE:

- Este producto responde a los requisitos previstos por la Directiva “Baja Tensión”, si se lo emplea para el uso y en las configuraciones previstas en este manual de instrucciones, y combinado con los artículos presentes en el catálogo de productos de Nice S.p.a. Los requisitos podrían no ser garantizados si el producto se utiliza en configuraciones diferentes o con otros productos no previstos; está prohibido utilizar el producto en estas condiciones, hasta que la persona que ejecuta la instalación haya verificado que responde a los requisitos previstos por la directiva.

Advertencias especiales sobre la idoneidad para el uso de este producto con relación a la Directiva “Compatibilidad Electromagnética” 89/336/CEE y modificación siguiente 92/31/CEE y 93/68/CEE:

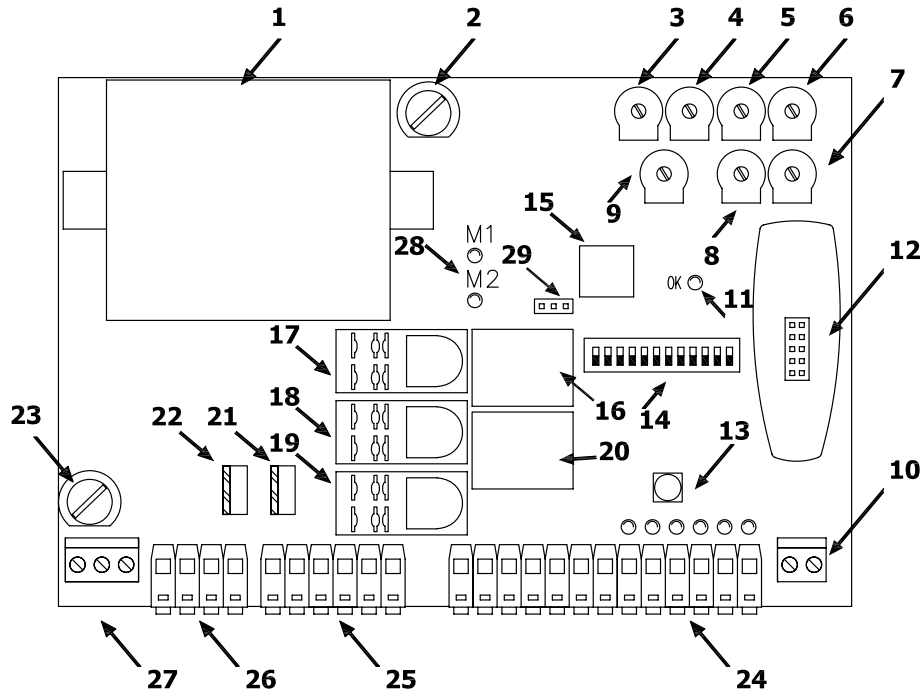
- Este producto ha sido sometido a los ensayos en materia de compatibilidad electromagnética en las situaciones de uso más duras, en las configuraciones previstas en este manual de instrucciones y en combinación con los artículos presentes en el catálogo de productos de Nice S.p.A. Si el producto se utilizara con configuraciones o con otros productos no previstos, podría perderse la garantía de la compatibilidad electromagnética; en dichas condiciones, está prohibido el uso del producto hasta que la persona que efectúa la instalación haya verificado que responde a los requisitos previstos por la directiva.

2) Descripción del producto

Esta central para la automatización de cancelas y puertas automáticas permite accionar 2 motorreductores de corriente alterna monofásica. La central dispone de una serie de Dip-switches (mini-selectores) que permiten activar varias funciones, y de trimmers que permiten efectuar una serie de regulaciones.

En la central hay leds situados cerca de las entradas que indican su estado; otro led, situado cerca del microprocesador, señala que la lógica interior funciona correctamente.

Para facilitar el reconocimiento de las piezas, en la **Fig.1** se indican los componentes principales.



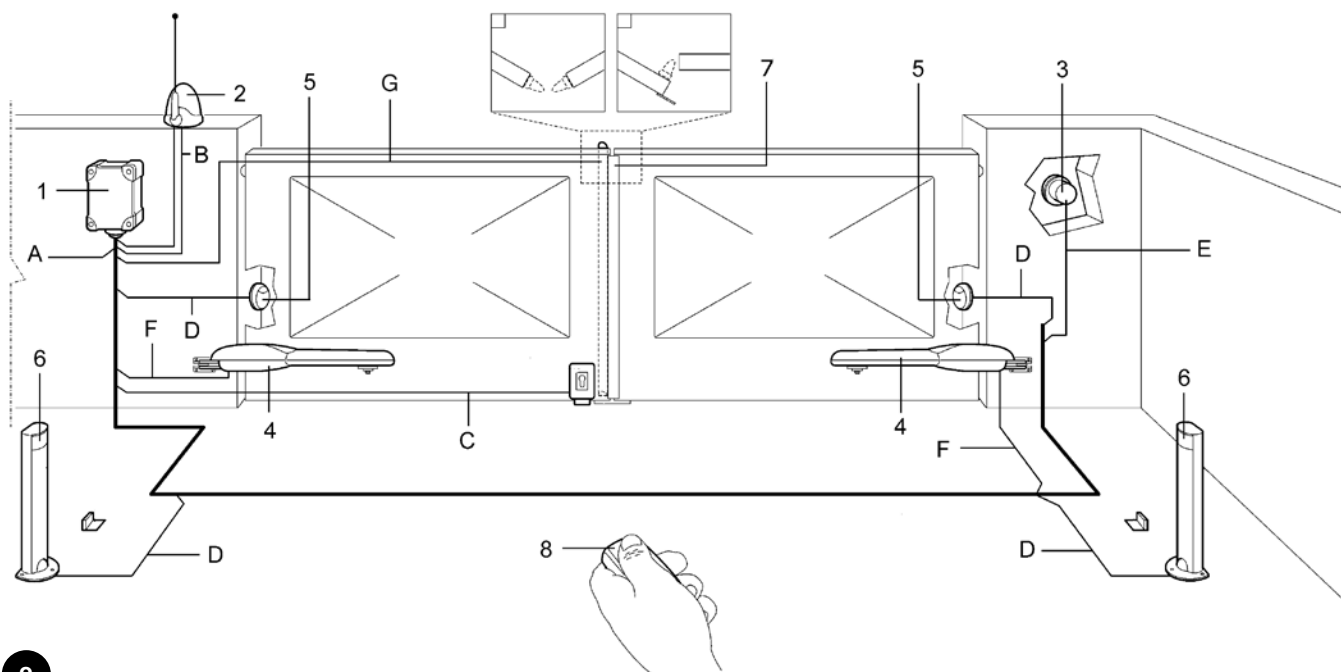
1

- | | | | |
|----|---|----|---|
| 1 | Transformador | 17 | Relé común motores |
| 2 | Fusible de baja tensión (500 mA F) | 18 | Relé luz de cortésia |
| 3 | Trimmer de regulación fuerza (F) | 19 | Relé dirección movimiento Abrir / Cerrar |
| 4 | Trimmer de regulación del Tiempo de Pausa (TP) | 20 | Relé Fototest |
| 5 | Trimmer de regulación Tiempo Retardo en Apertura (TRA) | 21 | Triac motor 2 |
| 6 | Trimmer de regulación Tiempo Funcionamiento motor 1 (TL1) | 22 | Triac motor 1 |
| 7 | Trimmer de regulación Tiempo Funcionamiento motor 2 (TL2) | 23 | Fusible rápido en la alimentación (5A para 230Vca) o (6,3A para 120Vca) |
| 8 | Trimmer de regulación Tiempo Retardo en Cierre (TRC) | 24 | Caja de conexiones entradas / salidas de mando |
| 9 | Trimmer de Equilibrado de la maniobra (BAL) | 25 | Cajas de conexiones salidas motor |
| 10 | Caja de conexiones para antena | 26 | Caja de conexiones salidas luz intermitente y luz de cortésia. |
| 11 | Led OK | 27 | Caja de conexiones de alimentación |
| 12 | Conector conexión Radio | 28 | Led de señalización del funcionamiento de los motores |
| 13 | Botón de Paso a Paso | 29 | Puente de conexión para seleccionar el modo de desaceleración (M-RAL) |
| 14 | Dip-Switch de selección de las funciones | | |
| 15 | Microprocesador | | |
| 16 | Relé electrocerradura | | |

2.1) Límites de utilización

Los datos referidos a las prestaciones de los productos están indicados en el capítulo "9 Características técnicas" y son los únicos valores que permiten la evaluación correcta de la idoneidad para su uso.

2.2) Instalación típica



2

- | | |
|--|-------------------------------------|
| 1. Central A60 | 5. Par de fotocélulas (FOTOCÉLULA) |
| 2. Luz intermitente con antena incorporada | 6. Par de fotocélulas (FOTOCÉLULA1) |
| 3. Selector de llave | 7. Banda sensible |
| 4. Accionadores electromecánicos | 8. Transmisor |

2.3) Lista de cables

En la instalación típica de la figura 2 se indican también los cables necesarios para las conexiones de los diversos dispositivos; en la tabla 1 se indican las características de los cables.

⚠ Los cables utilizados deben ser adecuados para el tipo de instalación; por ejemplo, se aconseja un cable tipo H03VV-F para instalación en ambientes internos o H07RN-F para instalaciones exteriores

Tabla 1: lista de cables

Conexión	Tipo de cable	Longitud máxima admitida
A: Línea eléctrica de alimentación	Nº1 cable 3x1,5mm ²	30m (nota 1)
B: Luz intermitente con antena	Nº1 cable 2x0,5mm ²	20m
	Nº cable blindado tipo RG58	20m (aconsejado menos de 5m)
C: Electrocerradura	Nº1 cable 2x1mm ²	20m
D: Fotocélulas	Nº1 cable 2x0,25mm ² (Tx)	20m
	Nº1 cable 4x0,25mm ² (Rx)	30m
E: Selector de llave	Nº1 cable 4x0,25mm ²	30m
F: Accionadores electromecánicos	Nº1 cable 4x1,5mm ²	3m
G: Banda sensible	Nº1 cable 2x0,25mm ²	30m

Nota 1: si el cable de alimentación es más largo de 30 m debe tener una sección más grande, por ejemplo 3x2,5mm² y es necesario procurar una puesta a tierra de seguridad cerca del automatismo.

3) Instalación

⚠ Debe ser instalado por personal cualificado, respetando las leyes, normas y reglamentos y las indicaciones de las presentes instrucciones.

3.1) Controles preliminares

Antes de comenzar con la instalación es necesario efectuar los siguientes controles:

- Controle que todo el material a utilizar esté en perfectas condiciones, sea adecuado para su uso y que respete las normas.
- Controle que la estructura de la puerta sea adecuada para su automatización.
- Controle que los puntos de fijación de los distintos dispositivos se encuentren en zonas protegidas de choques y que las superficies sean suficientemente firmes.
- Introduzca los aisladores pasapanel o los pasadores de tubos sólo en la parte inferior de la central; no perforo por ningún motivo las paredes laterales y la superior. Los cables tienen que entrar a la central sólo por la parte inferior.
- Monte topes mecánicos adecuados fijados en el suelo para las maniobras de apertura y de cierre.
- Los componentes del automatismo no deben quedar sumergidos en agua ni en otras sustancias líquidas.
- No coloque el A60 cerca de llamas o fuentes de calor; en atmósferas con riesgo de explosión, muy ácidas o salinas; porque la esta central podría tener problemas de funcionamiento o generar situaciones peligrosas.
- Si hubiera un portillón de paso en la misma hoja o una puerta en la zona de movimiento de la hoja, asegúrese de que no obstaculice la carrera normal e incorpore un sistema de interbloqueo oportuno en su caso.

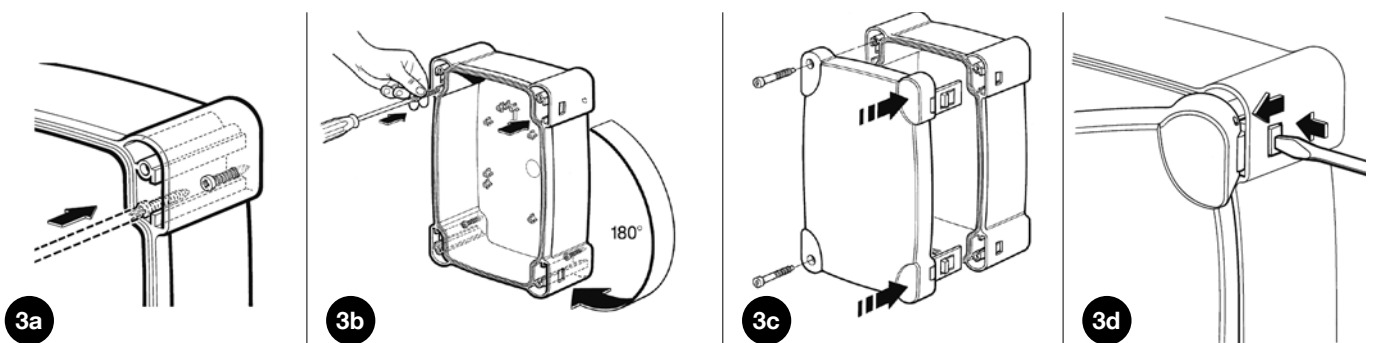
- Conecte la central a una línea de alimentación eléctrica dotada de puesta a tierra de seguridad.
- La línea de alimentación eléctrica debe estar protegida por un dispositivo magnetotérmico y diferencial adecuado.
- En la línea de alimentación de la red eléctrica hay que montar un dispositivo de desconexión de la alimentación (con categoría de sobretensión III, es decir distancia entre los contactos de 3,5 mm como mínimo) u otro sistema equivalente, por ejemplo una toma y una clavija. Si el dispositivo de desconexión de la alimentación no está cerca del automatismo, coloque un sistema de bloqueo a fin de evitar la conexión accidental o no autorizada.

3.2) Fijación

Introduzca los dos tornillos en los respectivos agujeros superiores haciéndolos deslizar sobre la guía como muestra la Fig. 3A, atornillándolos parcialmente, gire 180° la central y repita la misma operación con los otros dos tornillos. Fije la central a la pared.

Introduzca la tapa en la parte deseada (con apertura a derecha o izquierda), apriete con fuerza en correspondencia de las flechas.

Para quitar la tapa apriete con un destornillador en el punto de encastre y contemporáneamente empuje hacia arriba.



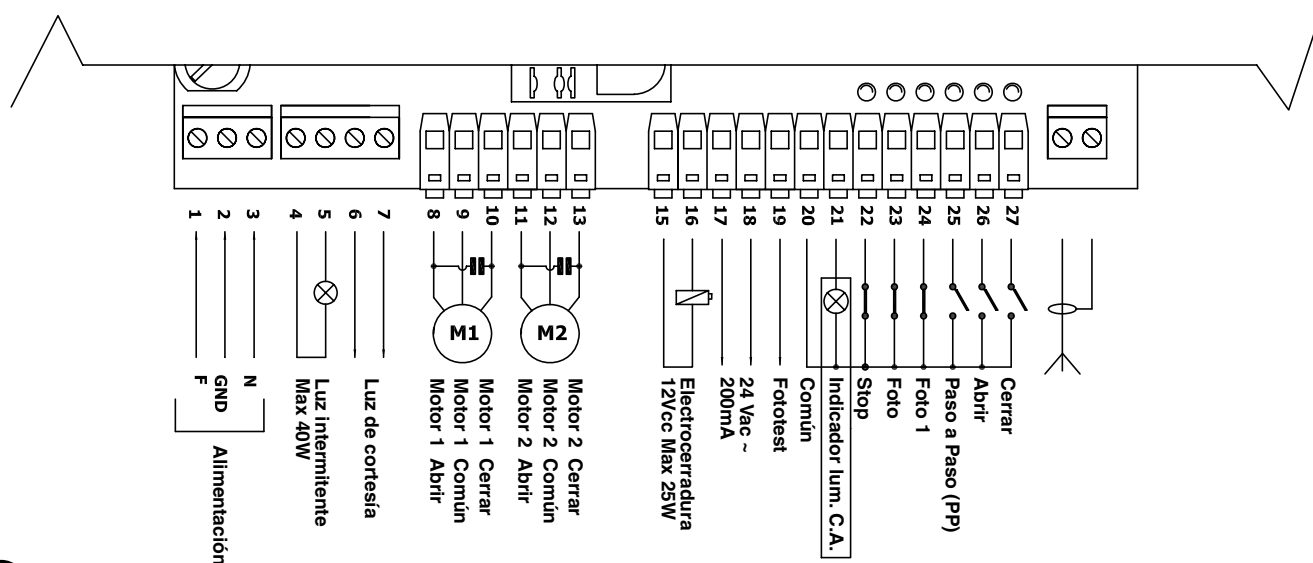
3.3) Conexiones eléctricas

⚠ Para garantizar la seguridad del instalador y no averiar los componentes, mientras se efectúan las conexiones eléctricas, o se conectan las distintas tarjetas, la central debe estar completamente apagada.

- Alimente la central con un cable de 3 x 1,5 mm², si la distancia entre la central y la conexión a la instalación de tierra supera 30 m, hay que instalar una placa de conexión a tierra cerca de la central.
- En las conexiones de las piezas de seguridad de baja tensión use cables de sección mínima de 0,25mm².
- Use cables de conductores encerrados si la longitud es superior a 30m, conectando la trenza de masa sólo del lado de la central.
- Procure no conectar los cables en cajas enterradas aún si son herméticas.
- Las entradas de los contactos Normalmente Cerrado (NC), que no se utilicen se tienen que conectar al “común 24V” por medio de un conector puente, excluidas las entradas de las fotocélulas si la función fototest está conectada. Para mayores aclaraciones véase el párrafo “Notas sobre las conexiones” en la parte “Fototest”.
- Si para la misma entrada hay varios contactos Normalmente Cerrados (NC), estos se deben conectar en “Serie” entre sí.
- Si las entradas de los contactos Normalmente Abiertos (NA) no se utilizan, se tienen que dejar libres
- Si para la misma entrada hay varios contactos NA se deben conectar en “PARALELO” entre sí.
- Los contactos tienen que ser exclusivamente mecánicos y sin ningún potencial; no se admiten conexiones de configuración en etapas, tal como aquellas definidas “PNP”, “NPN”, “Open Collector”, etc.

Efectúe las conexiones necesarias siguiendo el esquema de la **Fig. 4** y la sucesiva descripción de las conexiones.

Recuerde que existen normativas precisas que tienen que ser absolutamente respetadas, tanto por lo que concierne a la seguridad de las instalaciones eléctricas, como a las verjas automáticas.



4

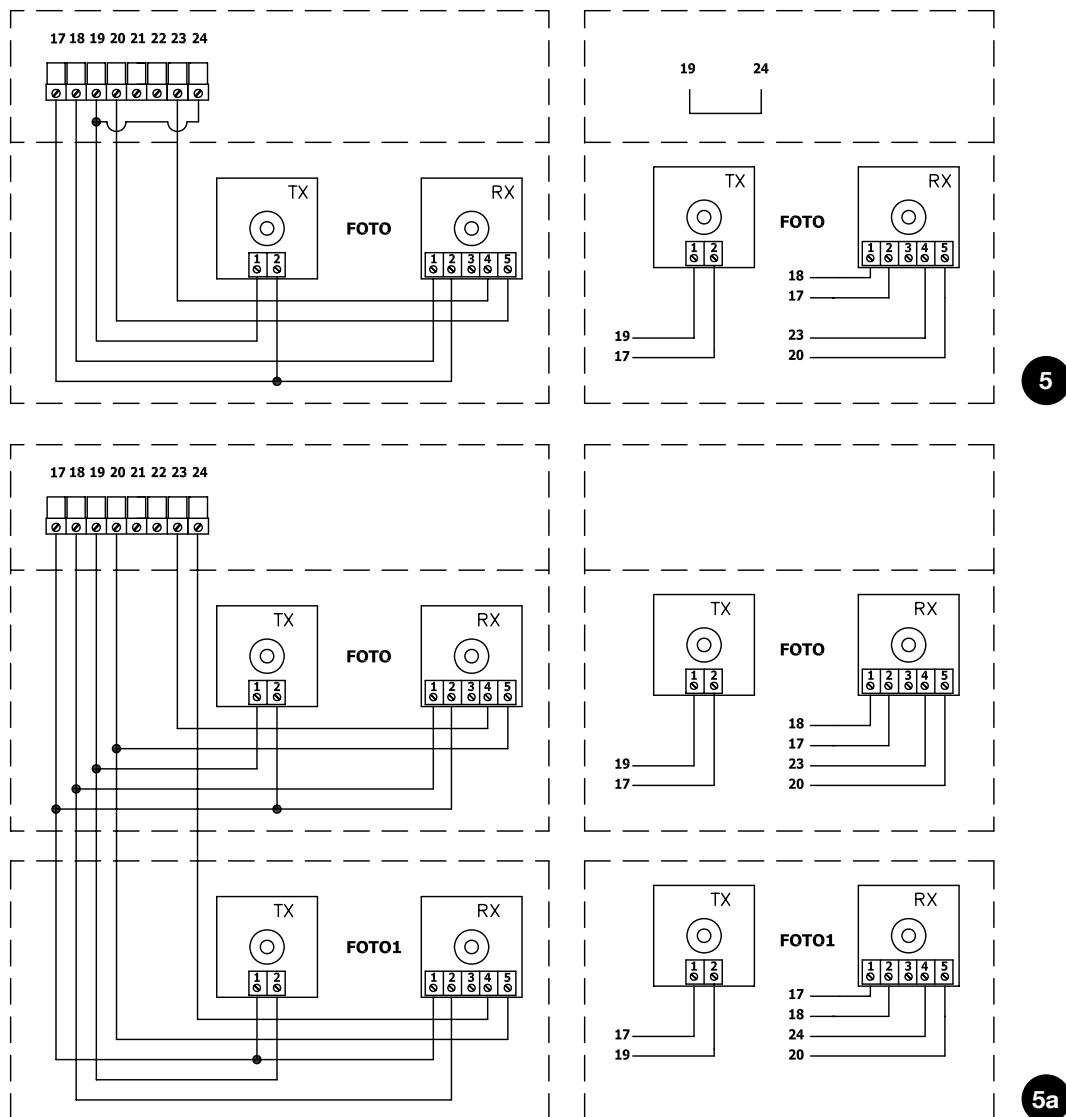
3.4) Descripción de las conexiones

A continuación damos una descripción concisa de las posibles conexiones de la central hacia el exterior.

Bornes	Función	Descripción
1-2-3 :	Alimentación	= Línea de alimentación de red
4-5 :	Luz intermitente	= Salida para la conexión de la luz intermitente con tensión de red (Máx. 40W)
6-7 :	Luz de cortesía	= Salida contacto sin tensión para conexión luz de cortesía (Máx.5A)
8-9-10 :	Motor1	= Salida accionamiento motor 1
11-12-13 :	Motor2	= Salida accionamiento motor 2
15-16 :	Electrocerradura	= Salida 12 Vcc para activación electrocerradura, potencia máxima 25W
17-18 :	24 Vac	= Alimentación de los equipos auxiliares 24 Vac (Máx. 200 mA)
19 :	Fototest	= Salida fototest - Alimentación “TX” de las fotocélulas - (Máx. 75 mA)
20 :	Común	= Común para todas las entradas
21 :	Indicador lum. C.A.	= Salida para indicador luminoso Cancela abierta 24 Vac (Máx. 2W)
22 :	Stop	= Entrada con función de “Stop” (Parada y breve inversión)
23 :	Foto	= Entrada para los dispositivos de seguridad
24 :	Foto1	= Entrada para otro dispositivo de seguridad
25 :	Paso a Paso (PP)	= Entrada para funcionamiento cíclico (“Abrir” – “Stop” – “Cerrar” – “Stop”)
26 :	Abrir	= Entrada para apertura
27 :	Cerrar	= Entrada para cierre
	Antena	= Entrada para antena radioreceptor

3.5) Notas sobre las conexiones

La mayoría de las conexiones es sumamente sencilla; una gran parte son conexiones directas de un sólo usuario o contacto, en cambio otras son conexiones un poco más complejas: Todos los motores de tipo asíncrono monofásico requieren un condensador para que funcionen correctamente; algunos motorreductores, ya tienen este condensador conectado en su interior, en cambio otros necesitan la conexión del condensador en la parte exterior. En este caso el condensador se conecta entre las fases ABRE y CIERRA del motor. Para una mayor practicidad es oportuno introducir el condensador directamente adentro de la central.



5

5a

El "Fototest" aumenta la fiabilidad de los dispositivos de seguridad, permitiendo alcanzar la "categoría 2" según la norma EN 954-1 (edic. 12/1996) en lo referente a la central y fotocélulas de seguridad. Cada vez que se acciona una maniobra son controlados todos los dispositivos de seguridad implicados, y la maniobra comienza sólo si todo está en perfectas condiciones. Si en cambio la prueba no da resultado positivo (fotocélula encandilada por el sol, cables en cortocircuito, etc.) se detecta la avería y la maniobra no se realiza.

Para la función "Fototest" es necesario:

- Configurar el Dip-Switch 10 en ON
- Conectar los dispositivos de seguridad tal como muestra la **fig.5** si se utiliza solamente la salida FOTO o como en **fig.5a** si también se utiliza FOTO1.

Para las conexiones, hay que alimentar los transmisores de las fotocélulas no directamente desde las salida de los equipos auxiliares, sino a través de la salida FOTOTEST. La corriente máxima utilizable en la salida FOTOTEST es de 75mA (3 pares de fotocélulas).

- Alimentar los receptores directamente desde la salida de los equipos auxiliares de la central (bornes 17-18).

El ensayo de las fotocélulas se realiza del siguiente modo: cuando se requiere un movimiento, en primer lugar se controla que todos los receptores afectados por el movimiento den el permiso, después, se apaga la alimentación a los transmisores y se controla que todos los receptores señalen este hecho negando el permiso; por último, se reactiva la alimentación de los transmisores y se controla nuevamente que todos los receptores den el permiso. Sólo si esta secuencia da resultado positivo comenzará la maniobra.

También es conveniente activar el sincronismo cortando en los transmisores los conectores puentes respectivos; éste es el único método para garantizar que dos pares de fotocélulas no interfieran entre sí. Controle en el manual de las fotocélulas las instrucciones para el funcionamiento "SINCRONIZADO".

Si una entrada dedicada a FOTOTEST no se utilizara (ejemplo FOTO1) y se quiere utilizar igualmente la función fototest, hay que hacer un puente de conexión entre la entrada no usada y la salida FOTOTEST (bornes 19 -24) véase **fig. 5a**.

Si más tarde no se quiere utilizar más la función Fototest, bastará bajar el Dip-switch.10.

3.6) Control de las conexiones

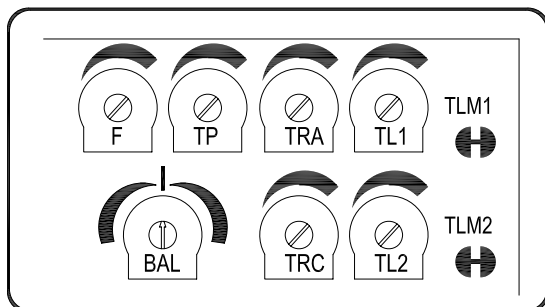
⚠ Las siguientes operaciones se efectúan con los circuitos bajo tensión; la mayoría de los circuitos funciona a tensión bajísima de seguridad y, por ello, no son peligrosos; algunas piezas están bajo tensión de red, es decir, "¡MUY PELIGROSA!" Tenga mucho cuidado en lo que está haciendo y ¡NUNCA TRABAJE SOLO!

- Alimente la central y controle de inmediato que entre los bornes 17- 18 haya una tensión de 24 Vac.
- Controle que, después de un parpadeo rápido, el led "OK" parpadee con un ritmo regular.
- Entonces, controle que los leds que corresponden a las entradas con contactos tipo NC estén encendidos (todos los dispositivos de seguridad accionados) y que los leds que corresponden a las entradas con contactos tipo NA estén apagados (ningún accionamiento activo), si esto no se produce, controle las conexiones y que todos los dispositivos funcionen correctamente. La entrada STOP se acciona apagando tanto FCA como FCC.
- Desbloquee las hojas y colóquelas en la mitad de la carrera, después bloquéelas, así las hojas se pueden abrir o cerrar libremente.
- Ahora, controle si el movimiento se efectúa en la dirección correcta, es decir, controle que el movimiento previsto por la central y aquél efectivo de las hojas correspondan. Ese control es fundamental, si la dirección es incorrecta, en algunos casos (por ejemplo en modo "semiautomático") la automatización aparentemente podría funcionar regularmente; efectivamente, el ciclo ABRIR es parecido al ciclo CERRAR con la diferencia fundamental de que los dispositivos de seguridad se ignorarán durante la maniobra de cierre, la que es generalmente la más peligrosa, y se accionarán durante la apertura provocando el cierre sobre el obstáculo con resultados desastrosos.
- Para verificar si el sentido de rotación es correcto, basta dar un breve impulso en la entrada Abrir y comprobar si el automatismo se mueve en la dirección de apertura; si el movimiento se ha efectuado en el sentido incorrecto es necesario:
 - Apagar la alimentación
 - Invertir los cables de alimentación del o de los motores que tengan el sentido de rotación equivocado (si fuera M1 invierta la conexión de los bornes 8 -10 , mientras que para M2 hay que invertir la conexión de los bornes 11 - 13).
 - Una vez concluido, conviene probar nuevamente si el sentido de rotación es correcto, repitiendo el último punto.

El led "OK" situado en el centro de la tarjeta, cerca del microprocesador, tiene la función de señalar el estado de la lógica interior: un parpadeo regular cada 1 segundo indica que el microprocesador interior está activo y espera los mandos. En cambio, cuando el microprocesador reconoce una variación del estado de una entrada (bien de una entrada de mando o de un Dip-Switch de las funciones) parpadea dos veces rápidamente, incluso si la variación no provoca efectos inmediatos. Un parpadeo rápido de 3 segundos indica que la central recién ha sido encendida y está realizando un test de las piezas internas, por último, un parpadeo inconstante indica que el test no tuvo resultados positivos y que, por consiguiente, hay una avería.

4) Regulaciones

Las regulaciones se efectúan con los trimmers que actúan modificando los siguientes parámetros:



• TIEMPO FUNCIONAMIENTO (TL1 TL2):

Regulan la duración máxima de la maniobra de apertura o cierre del motor 1 (TL1) y del motor 2 (TL2).

La regulación de los trimmers (TL1 TL2) es válida desde la primera maniobra de apertura con la cancela cerrada (tempo Funcionamiento de las 2 hojas concluido), es decir que siempre hay que regular los trimmers con la cancela cerrada.

Si se utilizan motorreductores con fin de carrera eléctrico o topes mecánicos, se aconseja regular los fines de carrera o los topes para la apertura o cierre máximo deseado de las hojas.

Para regular el tiempo de funcionamiento TL, seleccione el modo de funcionamiento "Semiautomático" desplazando hacia ON el Dip-Switch N°1, después regule el trimmer TL en mitad de la carrera.

Con dichas regulaciones realice un ciclo de apertura y de cierre; de ser necesario, modifique la regulación de los trimmers TL de manera que el tiempo sea suficiente para cumplir toda la maniobra y que todavía quede un margen de 2 ó 3 segundos en la parada causada por los fines de carrera eléctricos (en motores con fin de carrera) o por los topes mecánicos.

Para controlar cuándo finaliza el tiempo de funcionamiento de los dos motores, compruebe el apagado de los leds de señalización del funcionamiento de los motores situados en la central (al apagarse el Led significa el final del Tiempo Funcionamiento del motor correspondiente).

Si colocando los trimmers TL al máximo igualmente no se obtiene el tiempo suficiente para cumplir toda la maniobra, corte el conector puente TLM1 para aumentar el Tiempo de funcionamiento del motor1 y corte el conector puente TLM2 para aumentar el Tiempo de funcionamiento del motor2.

Dichos conectores puentes están situados al lado de los trimmers respectivos.

Si usted quisiera utilizar la función de DECELERACIÓN (Dip_Switch 8 On) , tendrá que regular los trimmers tiempo de funcionamiento de modo que los motores comiencen la etapa de deceleración alrededor de 50 – 70 cm antes de llegar a los topes mecánicos de apertura o cierre.

• TIEMPO DE RETARDO EN APERTURA (TRA) Y EN CIERRE (TRC):

Si la cancela está formada de 2 hojas que se podrían encastrar si parten contemporáneamente o que se podrían superponer al cerrarse, entonces, hay que modificar las regulaciones de los trimmers Tiempo Retardo Apertura (TRA) o Tiempo Retardo Cierre (TRC) para prevenir tales problemas.

Es decir que (TRA) se regula de manera que la hoja movida por el 2° motor esté fuera de la zona de movimiento de la otra hoja cuando ésta, movida por el 1° motor, comienza a moverse.

El trimmer (TRC) se debe regular de modo que al cerrarse la hoja del 2° motor llegue a tope cuando el 1° motor terminó la maniobra de cierre.

• TIEMPO DE PAUSA (TP):

En el funcionamiento "Automático" regula el tiempo entre el final de la maniobra de apertura y el comienzo de la maniobra de cierre.

• FUERZA (F):

Preste mucha atención cuando regule el trimmer FUERZA (F), puesto que dicha regulación puede influir sobre el grado de seguridad de la automatización. Para la regulación hay que actuar por tentativas sucesivas, midiendo la fuerza ejercida por la hoja y comparándola con lo que prevén las normas.

• EQUILIBRADO de los tiempos de maniobra (BAL):

El trimmer de EQUILIBRADO, incorporado en esta central, permite diferenciar el tiempo de Funcionamiento entre los movimientos de apertura y de cierre de las hojas.

Esto es útil cuando el motor tiene diferentes velocidades hacia ambas direcciones, por ejemplo los motores hidráulico, o cuando las hojas de la cancela están desequilibradas en la apertura o en el cierre, provocando esfuerzos diferentes y necesitando tiempos diferentes para recorrer la misma distancia.

Por consiguiente, si la cancela está desequilibrada en el cierre, el movimiento de apertura podría finalizar antes de llegar a los topes mecánicos; en este caso se deberá girar el trimmer BAL en el sentido horario (AP), aumentando de esta manera el tiempo de funcionamiento de apertura hasta que las desaceleraciones comiencen en el punto predeterminado (50 cm antes del tope mecánico) y la maniobra dure otros 3 - 5 segundos después de que las hojas hayan llegado a los topes mecánicos.

Por el contrario, si la cancela está desequilibrada en apertura, habrá que equilibrarla girando el trimmer BAL en el sentido antihorario (CH), dando más tiempo a la maniobra de cierre.

Si el trimmer está colocado en el centro, las maniobras de apertura y de cierre durarán el mismo tiempo.

4.1) Modos de funcionamiento

En el funcionamiento en modo manual, la entrada ABRIR permite el movimiento de apertura, la entrada CERRAR permite el movimiento de cierre. Ni bien cesa el mando de entrada el movimiento se detiene. Durante la apertura y el cierre el movimiento se detiene también cuando falla la entrada de mando o el permiso de los dispositivos de seguridad.

Tanto durante la apertura como durante el cierre, el accionamiento de STOP provoca siempre la parada inmediata del movimiento.

Cuando un movimiento se ha detenido, hay que hacer concluir el mando de entrada antes de que un mando nuevo pueda hacer comenzar un nuevo movimiento.

Durante el funcionamiento en uno de los modos automáticos (semi-automático, automático o automático + cerrar siempre) un impulso de accionamiento en la entrada ABRIR provoca la apertura.

Un impulso en PASO a PASO provoca alternativamente apertura o cierre. Un segundo impulso en PASO a PASO o en la misma entrada que comenzó el movimiento provoca un Stop.

Tanto en apertura como en cierre un accionamiento de STOP provoca una parada inmediata del movimiento con breve inversión.

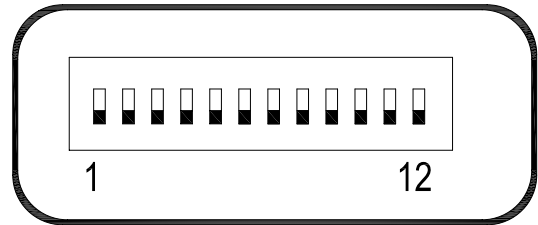
Si en una entrada de mando en lugar de un impulso se mantiene una señal continua, se provoca un estado de “predominio” en los que las demás entradas de mando quedan desactivadas (**útil para conectar un reloj o un selector Noche-Día**).

Si se selecciona el modo de funcionamiento automático, tras una maniobra de apertura, se efectúa una pausa y, al concluir ésta, se realiza el cierre. Si durante la pausa se acciona FOTOCÉLULA, el temporizador se restablecerá con un nuevo tiempo de pausa; por el contrario, si durante la pausa se acciona STOP, la función de cierre se cancela y se pasa a un estado de STOP.

Durante la apertura, el accionamiento de FOTOCÉLULA no tiene ningún efecto, mientras que durante el cierre, el accionamiento de FOTOCÉLULA provoca una inversión del movimiento, luego una pausa y luego de nuevo otro cierre.

5) Programación

La central dispone de una serie de microinterruptores que permiten accionar varias funciones para que la instalación sea más adecuada a la exigencias del usuario y más segura bajo las diversas condiciones de empleo. Todas las funciones se accionan poniendo el respectivo dip-switch en la posición “On”, mientras que con el dipswitch correspondiente en “Off” no están introducidas; algunas funciones no tienen un efecto inmediato y tienen sentido sólo bajo determinadas condiciones.



⚠ ATENCIÓN algunas de las funciones programables están vinculadas con aspectos de la seguridad, evalúe con mucha atención los efectos de una función y verifique cuál es la función que da la mayor seguridad posible.

En el mantenimiento de una instalación, antes de modificar una función programable, evalúe el motivo por el cual durante la instalación se habían tomado ciertas decisiones, y controle si la seguridad se verá perjudicada por la nueva programación.

5.1) Funciones programables

El dip-switch FUNCIONES permite seleccionar las diversas modalidades de funcionamiento e introducir las funciones deseadas según la tabla siguiente:

Switch 1-2	Off Off	= Movimiento “Manual”, es decir Hombre muerto.
	On-Off	= Movimiento “Semiautomático”
	Off-On	= Movimiento “Automático”, es decir cierre automático
	On-On	= Movimiento “Automático + Cerrar Siempre”
Switch 3	On	= Funcionamiento Comunitario < no disponible en modo manual >
Switch 4	On	= Intermitencia previa
Switch 5	On	= Cierra 5” después de Fococélula < si está en “Automático”> o Cierra después Fococélula <si está en “Semiautomático”>
Switch 6	On	= Dispositivo de seguridad “ Fococélula1” también durante apertura
Switch 7	On	= Golpe de ariete
Switch 8	On	= Deceleración
Switch 9	On	= Mantenimiento presión
Switch 10	On	= Fototest
Switch 11	On	= Modo Luz de Cortesía por impulsos
Switch 12	On	= Cerrar se convierte en Abrir peatonal

Nota: algunas funciones se pueden realizar bajo determinadas condiciones, tales condiciones se indican con las notas entre los caracteres “<...>”.

5.2) Descripción de las funciones

A continuación, describimos brevemente las funciones que se pueden configurar colocando en "On" el Dip-Switch correspondiente.

Switch 1-2: Off Off = Movimiento "Manual" (hombre muerto)
On-Off = Movimiento "Semiautomático"
Off-On = Movimiento "Automático"
(cierre automático)
On-On = Movimiento "Automático" +
"Cerrar Siempre"

Durante el funcionamiento "Manual" el movimiento se efectúa sólo mientras se acciona el mando (botón apretado).

En modo "Semiautomático" es suficiente dar un impulso de mando para que se cumpla todo el movimiento, hasta que termine el Tiempo Funcionamiento o hasta alcanzar el fin de carrera. En el funcionamiento en modo "Automático", después de la apertura, se efectúa una pausa y luego un cierre automático.

La función "Cerrar Siempre" se acciona tras un corte de alimentación, activando automáticamente una maniobra de cierre, antecedida por 5 segundos de intermitencia previa.

Switch 3: On = Funcionamiento Comunitario (no disponible en modo manual)

Durante el funcionamiento comunitario, una vez que se puso en marcha un movimiento de apertura, la maniobra no puede ser interrumpida por otros impulsos de mando en PASO A PASO o ABRIR, hasta que no concluya el movimiento de apertura.

Durante el movimiento de cierre, un nuevo impulso de mando provoca la parada y la inversión del movimiento de apertura.

Switch 4: On = Intermitencia previa

Al recibir el impulso de mando, primero se activa la luz intermitente y, transcurridos 5 segundos (2 si está en modo manual), comienza el movimiento.

Switch 5: On = Cerrar 5" después de Fococélula <si está en automático> o Cerrar después de Fococélula <si está en Semiautomático>.

Esta función, si está en ciclo automático, permite mantener la cancela abierta sólo durante el tiempo necesario para transitar, en efecto, después de la activación de FOTOCÉLULA la maniobra se detiene. Después de 5 segundos arrancará automáticamente una maniobra de cierre. Si está en ciclo semiautomático, un accionamiento de FOTOCÉLULA en la maniobra de cierre activa el cierre automático con el tiempo de pausa regulado.

Switch 6: On = Dispositivo de seguridad (Fococélula1) también durante apertura.

Normalmente, el dispositivo de seguridad "Fococélula1" está activo sólo durante la maniobra de cierre, el Dip-switch N°6 se coloca en "On" el accionamiento del dispositivo de seguridad provoca una interrupción del movimiento también durante la apertura.

Si está en "Semiautomático" o "Automático", el movimiento de apertura se reanuda inmediatamente después del desenganche.

Switch 7: On = Golpe de ariete

Cuando se emplean actuadores reversibles, es decir que la cancela no queda cerrada sólo con el empuje de los motores, es indispensable instalar una electrocerradura (véanse las instrucciones de los actuadores para el modo de empleo).

Así en la electrocerradura podría ejercerse ese empuje natural que tiende a llevar las hojas a una posición ligeramente abierta, y ciertas veces ese empuje es tan elevado que mantiene bloqueado el mecanismo de disparo de la electrocerradura.

Con la función de golpe de ariete conectada, antes de comenzar una maniobra de apertura se activa un ciclo de cierre breve, que no provoca ningún movimiento, visto que las hojas ya están en el tope mecánico de cierre. De tal manera, cuando la electrocerradura se

acciona no tendrá aplicada ninguna fuerza y podrá dispararse libremente.

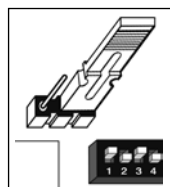
Switch 8: On = Desaceleración

La desaceleración consiste en una disminución de la velocidad del 30% de la velocidad nominal, a fin de reducir la fuerza de impacto en las zonas de apertura y de cierre de la cancela.

La función de desaceleración, además de disminuir la velocidad de la automatización, también disminuye el par de los motores en un 70%. En las automatizaciones que requieren un par elevado, dicha reducción del par podría provocar la parada de los motores.

Por dicho motivo, la función no se puede activar en las cancelas pesadas o con mucha fricción.

Una vez activada la función de desaceleración, habrá que utilizar el trimmer Tiempo de Funcionamiento (TL) porque el comienzo de la desaceleración depende del Tiempo de Funcionamiento configurado. Por consiguiente, regule el Tiempo de Funcionamiento para que la desaceleración comience unos 50 cm antes de los topes mecánicos, a fin de que la maniobra dure otros 3-5 segundos después del tope mecánico. En la central hay un puente de conexión (M-RAL) que permite seleccionar entre dos métodos de DESACELERACIÓN: uno con reducción del par del 70%, y el otro con reducción del par del 60% que se ha de utilizar en cancelas de mayor peso.



Reducción del 70% del par

Reducción del 60% del par

Nótese que durante la desaceleración aumenta ligeramente el ruido emitido por los motores.

Antes de comenzar a regular las desaceleraciones, lea el párrafo "4 Regulaciones", especialmente la parte que se refiere al funcionamiento del trimmer de Equilibrado (BAL).

Switch 9: On = Mantenimiento presión

En los actuadores hidráulicos, el empuje para mantener cerrada la cancela se desarrolla en el circuito hidráulico que queda siempre bajo presión. Cuando el tiempo y el desgaste reducen la hermeticidad del circuito hidráulico, puede suceder que, tras algunas horas, la presión interior baje con el riesgo consiguiente de una apertura ligera de las hojas de la cancela.

Si se conecta la función "Mantenimiento Presión", cada 4 horas que la cancela esté cerrada, se activará una breve maniobra de cierre con la única finalidad de recargar la presión del circuito hidráulico.

Switch 10: On = Fototest

Esta función permite efectuar un control de la eficiencia de las fotocélulas cada vez que comienza una maniobra. Véase el capítulo FOTOTEST.

Switch 11: On = Luz de cortesía en modo por impulsos

En ese modo el contacto sin tensión de la salida de la luz de cortesía quedará cerrado durante 1 seg. al comienzo de cada maniobra de apertura o de cierre permitiendo dar un impulso de mando a un temporizador externo.

Switch 12: On = CERRAR se convierte en ABRIR Peatonal

En este modo la entrada CERRAR pierde su funcionalidad básica y se convierte en entrada Paso a Paso Peatonal que permite abrir solamente la hoja de la cancela accionada por el motor 2 permitiendo el paso de un peatón.

Cabe señalar que el ciclo de abrir peatonal se activa sólo partiendo con la cancela cerrada, en cambio si la cancela está en movimiento o abierta, el impulso en la entrada no tiene ningún efecto.

6) Ensayo

Concluidos los controles y regulaciones es posible efectuar el ensayo de la instalación.

⚠ El ensayo de la automatización debe ser llevado a cabo por personal cualificado y experto que deberá establecer las pruebas previstas según el riesgo presente.

El ensayo es la parte más importante de toda la etapa de realización de la automatización. Cada componente, por ejemplo motor, dispositivo de parada de emergencia, fotocélulas, etc. puede requerir un ensayo específico; por consiguiente, se aconseja seguir los procedimientos indicados en los manuales de instrucciones respectivos.

Para el ensayo de la central sigas estos pasos:

1. Seleccione las funciones:
 - Configure en ON el Dip-Switch N°1 (Funcionamiento semiautomático) y en OFF todos los demás Dip-Switches
2. Oprima el botón Abrir y compruebe que:
 - se active la luz intermitente
 - empiece una maniobra de apertura
 - el movimiento se detenga al alcanzar el tope mecánico de apertura
3. Oprima el botón Cerrar y compruebe que:
 - se active la luz intermitente
 - empiece una maniobra de cierre
 - el movimiento se detenga al alcanzar el tope mecánico de cierre.
4. Haga comenzar una maniobra de apertura y controle que durante la maniobra, el accionamiento de un dispositivo
 - conectado a la entrada Stop, provoque la parada inmediata de un movimiento y una breve inversión
 - conectado a la entrada Fotocélula, no tenga ningún efecto

5. Haga iniciar una maniobra de cierre y controle que durante la maniobra, el accionamiento de un dispositivo:
 - conectado a la entrada Stop, provoque la parada inmediata del movimiento con una breve inversión
 - conectado a la entrada Fotocélula, provoque la parada y la inversión de la maniobra.
 - conectado a la entrada Fotocélula1, provoque la parada y la inversión de la maniobra.
6. En las entradas conectadas, controle que la activación de la entrada provoque un paso en la secuencia:
 - Entrada Paso a Paso: Secuencia = Abrir – Stop – Cerrar – Stop
 - Entrada Abrir: Secuencia = Abrir – Stop – Abrir – Stop
 - Entrada Cerrar: Secuencia = Cerrar – Stop – Cerrar – Stop
7. Si utiliza la función fototest, controle la eficiencia del test:
 - Cubra la fotocélula “Fotocélula”, haga arrancar una maniobra y controle que dicha maniobra no se realice.
 - Cubra la fotocélula “Fotocélula1”, haga arrancar una maniobra y controle que dicha maniobra no se realice.
 - Ponga en cortocircuito el contacto de la Fotocélula, haga arrancar una maniobra y controle que dicha maniobra no se realice.
 - Ponga en cortocircuito el contacto de la Fotocélula1, haga arrancar una maniobra y controle que dicha maniobra no se realice.
8. Realice los ensayos para medir las “Fuerzas de Impacto”, tal como previsto por la norma EN 12445.

Si al final del ensayo se activan otras funciones que puedan reducir la seguridad de la instalación, es necesario efectuar el ensayo específico de dichas funciones.

6.1) Messa in servizioPuesta en servicio

La puesta en servicio puede llevarse a cabo sólo después de haber efectuado correctamente todas las etapas de ensayo de la central y de los demás dispositivos montados.

Está prohibida la puesta en servicio parcial o en situaciones “precarias”.

1. Realice y conserve durante al menos 10 años el expediente técnico de la automatización que deberá incluir como mínimo: el dibujo de conjunto de la automatización, esquema de las conexiones eléctricas, análisis de los riesgos y soluciones adoptadas, declaración de conformidad del fabricante de todos los dispositivos utilizados (para el A60 utilice la Declaración de conformidad CE adjunta); copia del manual de instrucciones de uso y del plan de mantenimiento del automatismo.
2. Aplique a la puerta una placa con los siguientes datos: tipo de automatización, nombre y dirección del fabricante (responsable de la “puesta en servicio”), número de matrícula, año de fabricación y marcado “CE”.
3. Aplique de manera permanente, cerca de la puerta, una etiqueta una placa que indique las operaciones para el desbloqueo y la maniobra manual.
4. Prepare y entregue al dueño de la automatización la declaración de conformidad correspondiente.
5. Prepare y entregue al dueño el “Manual de instrucciones y advertencias para el uso de la automatización”.
6. Prepare y entregue al dueño el plan de mantenimiento de la automatización(que debe incluir todas las prescripciones sobre el mantenimiento de cada dispositivo).
7. Antes de poner en funcionamiento la automatización, informe adecuadamente y por escrito al dueño (por ejemplo en el manual de instrucciones y advertencias para el uso de la automatización) acerca de los peligros y los riesgos presentes.

7) Mantenimiento y desguace

⚠ En este capítulo se mencionan las informaciones para realizar el plan de mantenimiento y el desguace del A60.

7.1) Mantenimiento

Para que el nivel de seguridad sea constante y para garantizar la duración máxima de la automatización, es necesario hacer un mantenimiento.

El mantenimiento debe efectuarse respetando las prescripciones en materia de seguridad de este manual y según las leyes y normativas vigentes.

Para los demás dispositivos diferentes del **A60** siga las instrucciones mencionadas en los planes de mantenimiento correspondientes.

1. Es requista que se efectúe un mantenimiento programado antes

de transcurridos 6 meses o, como máximo, 10.000 maniobras a partir del mantenimiento anterior.

2. Desconecte cualquier fuente de alimentación eléctrica.
3. Compruebe las condiciones de todos los materiales que componen la automatización, controlando especialmente los fenómenos de corrosión y oxidación de las piezas de la estructura; sustituya las piezas que no sean lo suficientemente seguras.
4. Conecte las fuentes de alimentación eléctrica y ejecute todos los ensayos y controles previstos en el párrafo "6 Ensayo".

7.2) Desguace

Al igual que para la instalación, también las operaciones de desguace, al final de la vida útil de este producto, deben ser efectuadas por personal cualificado. Este producto está formado de diversos tipos de materiales, algunos pueden reciclarse y otros deben ser eliminados. Infórmese sobre los sistemas de reciclaje o de eliminación del producto respetando las normas locales vigentes para este tipo de categoría de producto.

⚠ Algunas partes del producto pueden contener sustancias contaminantes o peligrosas; si se abandonarán en el medio ambiente podrían ser perjudiciales para el ambiente y para la salud de las personas.

Como indicado por el símbolo de la figura, está prohibido arrojar este producto en los residuos domésticos. Para la eliminación, realice la recogida diferencial, según los métodos previstos por las reglas locales, o bien entregue el producto al vendedor cuando compre un nuevo producto equivalente.



Las reglas locales pueden prever sanciones importantes en el caso de eliminación abusiva de este producto.

8) Accesorios

Tarjeta RADIO

En la central hay un conector para la conexión de una tarjeta radio con enchufe SM, que permite actuar en las entradas para accionar la central a distancia por medio de un transmisor.

- | | |
|----------|----------------|
| salida 1 | Paso a Paso |
| salida 2 | Abrir peatonal |
| salida 3 | Abre |
| salida 4 | Cierra |

9) Características técnicas

Nice S.p.a., a fin de mejorar sus productos, se reserva el derecho de modificar las características técnicas en cualquier momento y sin previo aviso, garantizando la funcionalidad y el uso previstos.

Todas las características técnicas indicadas se refieren a una temperatura ambiente de 20°C (±5°C).

Modelo tipo:	A60	A60/V1
Alimentación	230 Vac ± 10%, 50 - 60 Hz	120 Vac ± 10%, 50 - 60 Hz
Potencia máxima accionadores	300 W [1,3 A]	300 W [2,5 A]
Potencia máxima luz intermitente	100W	
Frecuencia máxima de los ciclos de funcionamiento	Ilimitados	
Tiempo máximo de funcionamiento continuo	Ilimitados	
Corriente Máx equipos auxiliares (24 Vac)	200 mA	
Corriente Máx salida fototest (24Vac)	75 mA	
Potencia máxima indicador luminoso SCA (24Vac)	2 W	
Potencia máxima electrocerradura (12 Vac)	15 VA	
Tiempo de funcionamiento	de 2,5 a 40 seg. (de 40 a 80 seg. con TLM)	
Tiempo pausa	de 5 a 80 seg.	
Tiempo retardo apertura TRA	0 o bien de 2.5 a 12 seg.	
Tiempo retardo cierre TRC	0 o bien de 2.5 a 12 seg.	
Tiempo equilibrado BAL	de 0 a 8 seg.	
Regulación fuerza	da 0 al 100 %	
Temperatura de servicio	-20 ÷ 50 °C	
Dimensiones	280 x 220 x 110 mm	
Peso	1,9 kg	
Grado de protección	IP 55 (caja íntegra)	

Instrucciones y advertencias para el usuario del la central A60

• **Antes de usar por primera vez el automatismo**, pida a su instalador que le explique el origen de los riesgos residuales y lea este **manual de instrucciones y advertencias** para el usuario entregado por el instalador. Conserve el manual por cualquier problema que pueda surgir y recuerde entregarlo a un posible nuevo dueño del automatismo.

• **El automatismo es una maquina que ejecuta fielmente los mandos dados:** un uso inconsciente o inadecuado puede ser peligroso. Por consiguiente, no accione el automatismo cuando en su radio de acción haya personas, animales o cosas.

• **Niños:** una instalación de automatización garantiza un elevado grado de seguridad, impidiendo, gracias a sus sistemas de detección, que se mueva ante la presencia de personas o cosas y garantizando una activación previsible y segura. Procure que los niños no jueguen cerca del automatismo y mantenga los controles remotos lejos de su alcance: ¡no son un **juguete!**

• **Las fotocélulas no son un dispositivo de seguridad, sino, solamente, un componente auxiliar de seguridad.** Están fabricadas con tecnología altamente fiable pero pueden, en situaciones extremas, tener problemas de funcionamiento o averiarse y, en algunos casos, el desperfecto podría no resultar inmediatamente evidente.

Por tales motivos, es recomendable:

- transitar solamente si la cancela o el portón está completamente abierto y con las hojas detenidas.
- **¡ESTÁ ABSOLUTAMENTE PROHIBIDO** transitar mientras la cancela o portón se está cerrando!

Controle periódicamente el funcionamiento correcto de las fotocélulas y, al menos cada 6 meses, haga llevar a cabo los controles de mantenimiento.

• **Desperfectos:** ni bien note que la automatización no funciona correctamente, corte la alimentación eléctrica de la instalación y realice el desbloqueo manual. No realice ninguna reparación y llame a su instalador de confianza: una vez desbloqueado el motorreductor, la instalación podrá funcionar manualmente como un cerramiento no automatizado.

• **Mantenimiento:** para garantizar una larga vida útil y para un funcionamiento seguro, la instalación, al igual que cualquier otra maquinaria, requiere un mantenimiento periódico. Establezca con su instalador un plan de mantenimiento con frecuencia periódica. Nice aconseja realizar un mantenimiento cada 6 meses para un uso residencial normal, que puede variar según la intensidad de uso. Cualquier tipo de control, mantenimiento o reparación debe ser realizado sólo por personal cualificado.

• Aunque piense que lo sabe hacer, no modifique la instalación ni los parámetros de programación y regulación del automatismo: la responsabilidad es de su instalador.

• El ensayo final, los trabajos de mantenimiento periódico y las posibles reparaciones deben ser documentados por quien los efectúa y los documentos tienen que ser conservados por el dueño de la instalación.

Las únicas operaciones que pueden hacerse y que le aconsejamos efectuar periódicamente son la limpieza de los vidrios de las fotocélulas y la eliminación de hojas o piedras que podrían obstaculizar el automatismo. Para que nadie pueda accionar la puerta, antes de proceder recuerde **desbloquear el automatismo** (como descrito más adelante) y utilice para la limpieza únicamente un paño ligeramente humedecido con agua.

• **Desguace:** al final de la vida útil del automatismo, el desguace debe ser realizado por personal cualificado y los materiales deben ser reciclados o eliminados según las normas locales vigentes.

• **En el caso de roturas o falta de alimentación:** esperando la intervención de su instalador, o la llegada de la energía eléctrica si la instalación no está dotada de baterías compensadoras, la automatización puede accionarse igual que cualquier cerramiento no automatizado. A tal fin es necesario realizar el desbloqueo manual (única operación que el usuario puede realizar): dicha operación ha sido estudiada por Nice para facilitarle su empleo, sin necesidad de utilizar herramientas ni hacer esfuerzos físicos.

• **Sustitución de la pila del telemando:** si el radiomando después de transcurrido un cierto período no funciona correctamente o deja de funcionar, podría ser que la pila esté agotada (puede durar desde varios meses a más de un año según el uso). Ud. se podrá dar cuenta de este inconveniente por el hecho de que la luz del indicador de confirmación de la transmisión no se enciende, es débil, o bien se enciende sólo durante un breve instante. Antes de llamar al instalador, pruebe a sustituir la pila con una de otro transmisor que funcione correctamente: si el problema fuera este, sustituya la pila con otra del mismo tipo. Las pilas contienen sustancias contaminantes: no las arroje en los residuos normales sino que elimínelas de acuerdo con las leyes locales.

Spis treści**Str:**

1	Ostrzeżenia	73	5	Programowanie	81
2	Opis produktu	74	5.1	Funkcje programowalne	81
2.1	Ograniczenia zastosowań	75	5.2	Opis funkcji	82
2.2	Typowa instalacja	75	6	Odbiór techniczny	83
2.3	Wykaz przewodów	75	6.1	Przekazanie do eksploatacji	83
3	Instalacja	76	7	Konserwacja i utylizacja	84
3.1	Kontrola wstępna	76	7.1	Konserwacja	84
3.2	Montaż	76	7.2	Utylizacja	84
3.3	Połączenia elektryczne	77	8	Akcesoria	84
3.4	Opis połączeń	77	9	Dane techniczne	84
3.5	Uwagi odnośnie połączeń	78			
3.6	Kontrola połączeń	79			
4	Regulacje	80			
4.1	Sposoby funkcjonowania	81			

1) Ostrzeżenia

Instrukcja zawiera ważne informacje dotyczące bezpieczeństwa podczas montażu. Przed przystąpieniem do prac instalacyjnych przeczytaj uważnie wszystkie zalecenia. Instrukcję należy zachować na przyszłość.

W związku z zagrożeniami, jakie mogą wystąpić podczas montażu i eksploatacji oraz w celu zwiększenia bezpieczeństwa instalatora i użytkownika, montaż musi być przeprowadzony zgodnie z obowiązującymi przepisami, normami i regulaminami. Niniejszy rozdział zawiera wyłącznie ogólne ostrzeżenia, pozostałe ważne ostrzeżenia znajdują się w rozdziałach 3.1 – “Kontrola wstępna” oraz 6 – “Odbiór techniczny i oddanie do eksploatacji”.

⚠ Według obowiązujących przepisów wspólnotowych drzwi lub bramy automatyczne muszą być wykonane zgodnie z postanowieniami Dyrektywy Maszynowej 98/37/WE, a w szczególności z normami EN 13241-1 (norma zharmonizowana), EN 12445, EN 12453 i EN 12635, które pozwalają na wystawienie deklaracji zgodności produktu z Dyrektywą Maszynową.

Dodatkowe informacje i wytyczne ułatwiające sporządzenie analizy ryzyka i przygotowanie Dokumentacji Technicznej są dostępne na stronie internetowej: “www.niceforyou.com”. Niniejsza instrukcja skierowana jest wyłącznie do personelu technicznego, posiadającego odpowiednie kwalifikacje do przeprowadzenia montażu. Zawarte tu informacje nie są w żadnym wypadku przeznaczone dla użytkownika końcowego. Wyjątek stanowi załącznik pt. “Zalecenia i ostrzeżenia skierowane do użytkownika”, który instalator musi odłączyć od niniejszej instrukcji i przekazać użytkownikowi.

- Zabronione jest używanie urządzenia w innym celu niż przewidziane w niniejszej instrukcji; niewłaściwe użycie może być powodem zagrożeń lub szkód w stosunku do osób i rzeczy.
- Przed przystąpieniem do montażu należy przeprowadzić analizę ryzyka, w oparciu o wykaz zasadniczych wymagań w zakresie bezpieczeństwa, opisanych w załączniku I Dyrektywy Maszynowej i wskazać wdrożone środki zapobiegawcze. Przypominamy, że analiza ryzyka jest jednym z dokumentów, które składają się na Dokumentację Techniczną automatyki.
- Analizując konkretną sytuację i związane z nią zagrożenia, sprawdź czy konieczne będzie podłączenie pozostałych urządzeń dopełniających automatykę. Weź pod uwagę np. ryzyko uderzenia, przegniecenia, przecięcia, wciągnięcia i innych podobnych zagrożeń.
- Nie dokonywać zmian w żadnych elementach, jeżeli nie jest to przewidziane w niniejszej instrukcji; tego typu zmiany mogą spowodować niewłaściwe działanie urządzenia; NICE uchyła się od wszelkiej odpowiedzialności za szkody pochodzące od urządzeń zmodyfikowanych.
- Podczas instalacji oraz użytkowania unikać sytuacji, w których elementy stałe lub substancje płynne mogłyby wnikać do wnętrza centrali oraz innych otwartych urządzeń; ewentualnie zwrócić się do serwisu technicznego NICE; używanie urządzenia w takich sytuacjach może doprowadzić do zagrożenia.
- Automatyka może być użytkowana dopiero po przekazaniu urządzenia do eksploatacji zgodnie z zaleceniami opisanymi w rozdziale “6 Odbiór techniczny i przekazanie do eksploatacji”.
- Opakowanie musi zostać zutilizowane zgodnie z obowiązującymi przepisami lokalnymi.
- W przypadku gdy informacje zawarte w niniejszej instrukcji okażą się niewystarczające do przywrócenia prawidłowego działania, skontaktuj się z serwisem technicznym firmy NICE.
- W przypadku stwierdzenia zadziałania automatycznych wyłączników lub bezpieczników, przed ponownym ich włączeniem należy określić i wyeliminować powodujące je uszkodzenie.
- Zanim przystąpisz do pracy na zaciskach znajdujących się pod pokrywą siłownika, odłącz wszystkie obwody zasilania. Jeśli urządzenie

odcinające zasilanie znajduje się poza zasięgiem Twojego wzroku, przywieś na nim karteczkę “UWAGA KONSERWACJA W TOKU”.

Specjalne ostrzeżenia dotyczące zgodności produktu do eksploatacji z punktu widzenia Dyrektywy Maszynowej 98/37/WE (ex 89/392/ EWG):

- Produkt jest wprowadzany na rynek jako “element maszyny”. Jest przeznaczony do zamocowania w maszynie lub złożenia z innymi urządzeniami w celu stworzenia “maszyny” w rozumieniu Dyrektywy 98/37/WE, wyłącznie w zestawieniu z innymi elementami i w sposób opisany w niniejszej instrukcji. Zgodnie z wymaganiami dyrektywy 98/37/WE uprzedzamy, że przekazanie produktu do eksploatacji nie jest dozwolone, dopóki producent maszyny, w której produkt jest zamocowany nie określi jej danych identyfikacyjnych i nie przedstawi deklaracji zgodności z dyrektywą 98/37/ WE.

Specjalne ostrzeżenia dotyczące zgodności produktu do eksploatacji z punktu widzenia Dyrektywy Niskiego Napięcia 73/23/EWG wraz z późniejszymi zmianami 93/68/EWG:

- Produkt odpowiada wymaganiom Dyrektywy Niskiego Napięcia o ile jest wykorzystywany zgodnie ze swoim przeznaczeniem, w konfiguracji przewidzianej przez niniejszą instrukcję oraz w zestawieniu z innymi artykułami znajdującymi się w katalogu produktów firmy NICE S.p.A. Jeśli produkt będzie wykorzystywany w innej konfiguracji lub w zestawieniu z innymi produktami, nieprzewidywanymi w instrukcji, wówczas może nie spełniać wymagań wspomnianej wyżej dyrektywy. W takiej sytuacji zabrania się eksploatacji produktu do czasu gdy instalator nie upewni się czy spełnione są wymagania wskazane w dyrektywie.

Specjalne ostrzeżenia dotyczące zgodności produktu do eksploatacji z punktu widzenia dyrektywy dotyczącej kompatybilności elektromagnetycznej 89/336/EWG wraz z późniejszymi zmianami 92/31/EWG oraz 93/68/EWG:

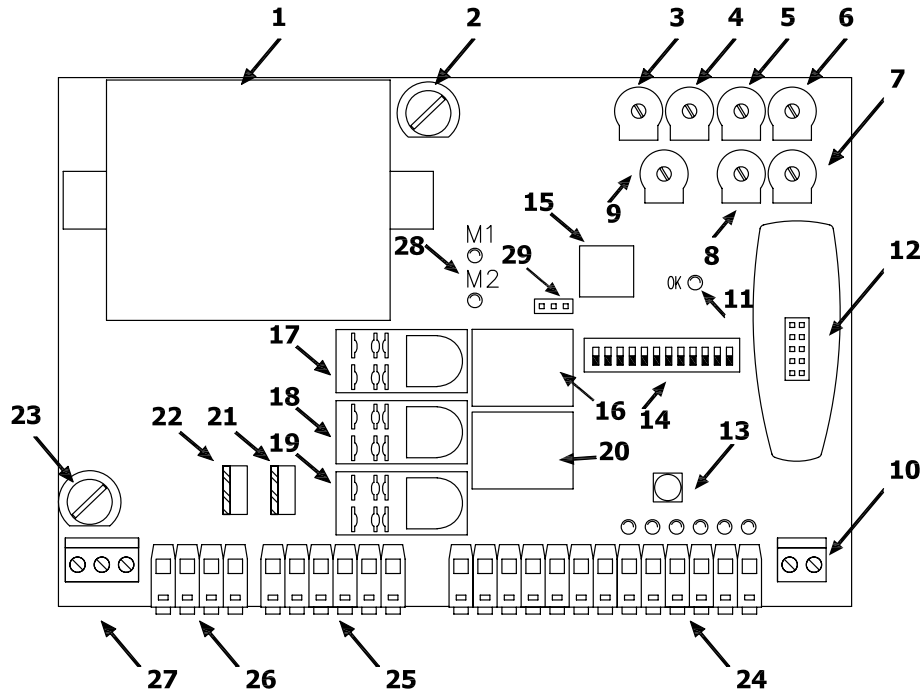
- Produkt został poddany badaniom z zakresu kompatybilności elektromagnetycznej w skrajnych sytuacjach użytkowania, w konfiguracji przewidzianej w niniejszej instrukcji oraz w zestawieniu z produktami znajdującymi się w katalogu produktów firmy Nice S.p.a. Kompatybilność elektromagnetyczna może nie być zagwarantowana, jeśli produkt użytkowany będzie w zestawieniu z innymi produktami, nieprzewidywanymi przez producenta. W takiej sytuacji zabrania się eksploatacji produktu do czasu gdy instalator nie upewni się czy spełnione są wymagania wskazane w dyrektywie.

2) Opis produktu

Centrala do automatyzacji bram i drzwi automatycznych służy sterowania 2 silownikami z silnikami jednofazowego prądu przemiennego. Centrala posiada wiele funkcji, które można wybrać poprzez mikroprzełączniki a wymagane regulacje można wykonać za pomocą potencjometrów.

Diody obok odpowiednich wejść sygnalizują ich stan, dioda obok mikroprocesora wskazuje pracę wewnętrznej logiki.

Aby ułatwić rozpoznanie poszczególnych elementów - **rys.1** przedstawia podstawowe części centrali.



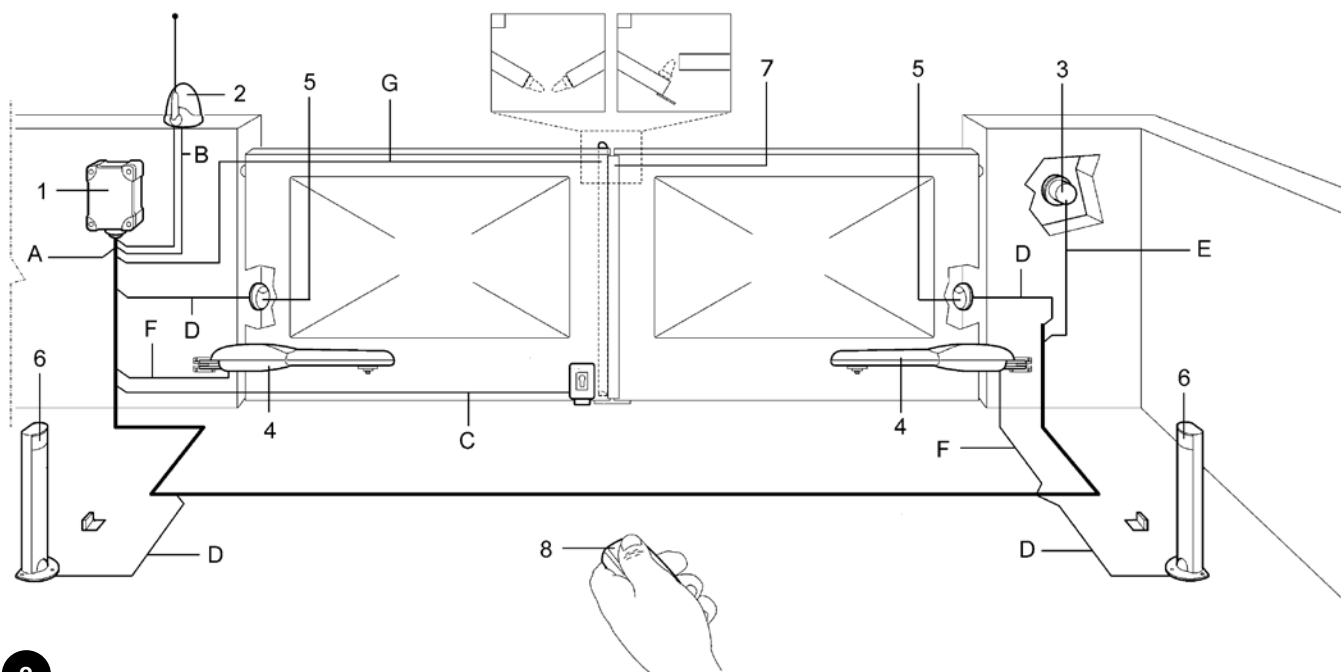
1

- | | | | |
|----|--|----|---|
| 1 | Transformator | 16 | Przełącznik Zatrzaśku elektromagnetycznego |
| 2 | Bezpiecznik topikowy niskiego napięcia (315mA T) | 17 | Przełącznik "Wspólny" silników |
| 3 | Potencjometr regulacji siły (F) | 18 | Przełącznik światelka ostrzegawczego |
| 4 | Potencjometr regulacji Czasu Przerwy TP | 19 | Przełącznik kierunku ruchu Otwiera / Zamyka |
| 5 | Potencjometr regulacji Czasu Opóźnienia w Otwieraniu (TRA) | 20 | Przełącznik fototestu |
| 6 | Potencjometr regulacji Czasu Pracy silnika 1 (TL1) | 21 | Traik silnika 2 |
| 7 | Potencjometr regulacji Czasu Pracy silnika 2 (TL2) | 22 | Traik silnika 1 |
| 8 | Potencjometr regulacji Czasu Opóźnienia w Zamykaniu (TRC) | 23 | Szybki bezpiecznik (5A 230Vac) lub (6.3A 120Vac) |
| 9 | Trymer Bilansowania manewru (BAL) | 24 | Listwa zaciskowa zasilania wejść / wyjść steru |
| 10 | Listwa zaciskowa do anteny | 25 | Listwa zaciskowa zasilania silnika |
| 11 | Dioda OK | 26 | Listwa zaciskowa zasilania lampy syg. i ostrzegawczej |
| 12 | Złącze radia | 27 | Listwa zaciskowa zasilania |
| 13 | Przycisk Krok po Kroku | 28 | Dioda sygnalizacyjna funkcjonowania silników |
| 14 | Przełącznik selekcji funkcji | 29 | Mostek umożliwiający wybór trybu zwalniania (M-RAL) |
| 15 | Mikroprocesor | | |

2.1) Ograniczenia zastosowań

Dane odnoszące się do parametrów produktów zebrane są w rozdziale 9 "Dane techniczne" i jedynie na podstawie tych wartości możliwa jest prawidłowa ocena przydatności produktu do użytkowania.

2.2) Typowa instalacja



2

- | | |
|--------------------------------|----------------------------|
| 1. Centrala A60 | 5. Para fotokomórek FOTO |
| 2. Lampa ostrzegawcza z anteną | 6. Para fotokomórek FOTO 1 |
| 3. Przelącznik kluczowy | 7. Listwa krawędziowa |
| 4. Silowniki | 8. Nadajnik radiowy |

2.3) Wykaz przewodów

W typowej instalacji na rysunku 2 pokazano przewody niezbędne do wykonania połączeń różnych urządzeń, natomiast w tabeli 1 są podane dane tych przewodów.

▲ Zastosowane przewody powinny być dostosowane do rodzaju instalacji; na przykład zaleca się przewód typu H03VV-F do zastosowań wewnątrz pomieszczeń lub H07RN-F do zastosowań zewnętrznych.

Tabela 1: wykaz przewodów

Połączenie	Typ przewodu	Zalecana maksymalna długość
A: Linia zasilania	przewód 3x1,5 mm ²	30m (uwaga 1)
B: Lampa ostrzegawcza z anteną	przewód 2x0,5 mm ²	20m
	przewód ekranowany typu RG58	20m (zalecane mniej niż 5 m)
C: Zamek elektryczny	przewód 2x1mm ²	20m
D: Fotokomórki	przewód 2x0,25 mm ² (Tx – strona nadawcza)	30m
	przewód 4x0,25 mm ² (Rx- strona odbiorcza)	30m
E: Przelącznik na klucz	przewód 4x0,25 mm ²	30m
F: Podłączenie silników	przewód 4x1,5 mm ²	3m
G: Podłączenie listwy krawędziowej	przewód 2x0,25 mm ²	30m

Uwaga 1: jeżeli przewód zasilający jest dłuższy niż 30 m, należy zastosować przewód o większej średnicy, np. 3x2,5 mm² i konieczne jest uziemienie w pobliżu systemu automatyki.

3) Instalacja

⚠ Instalacja powinna być wykonana przez osobę wykwalifikowaną z zachowaniem przepisów, norm oraz uregulowań zawartych w niniejszej instrukcji.

3.1) Kontrola wstępna

Przed rozpoczęciem instalacji niezbędnym jest wykonanie następującej kontroli:

- Sprawdzić, czy materiały, które będą zastosowane, są w dobrym stanie, odpowiednie do użycia i zgodne z normami.
- Sprawdzić, czy konstrukcja bramy jest przystosowana do zastosowania sterowania automatycznego.
- Sprawdzić, czy punkty mocowania poszczególnych urządzeń znajdują się w miejscach zabezpieczonych od uderzeń a powierzchnie są wystarczająco mocne.
- Wstawić odpowiednie przelotki kabli lub rurki ochronne tylko w części dolnej centrali, z żadnego powodu w ścianach bocznych i powierzchni górnej centrali nie można wiercić otworów. Przewody mogą wchodzić do centrali wyłącznie od dołu!
- Zamontować odpowiednie zderzaki mechaniczne zakotwione do ziemi, zarówno dla manewru otwierania jak i zamykania.
- Zapobiec sytuacji, w której części elementów automatyki mogłyby zostać zanurzone w wodzie lub innych substancjach płynnych.
- Nie ustawiać central A60 w pobliżu ognia lub źródeł ciepła, w atmosferze potencjalnie wybuchowej, szczególnie kwasowej lub solnej; może to bowiem uszkodzić centralę oraz stać się przyczyną niewłaściwego działania lub sytuacji niebezpiecznych.
- W przypadku, gdy w skrzydle bramy znajdują się drzwi przejściowe albo gdy drzwi znajdują się w obszarze ruchu skrzydła należy upewnić się, czy nie przeszkadzają one w normalnym manewrze i wyposażyć je w o odpowiedni system wzajemnej blokady.

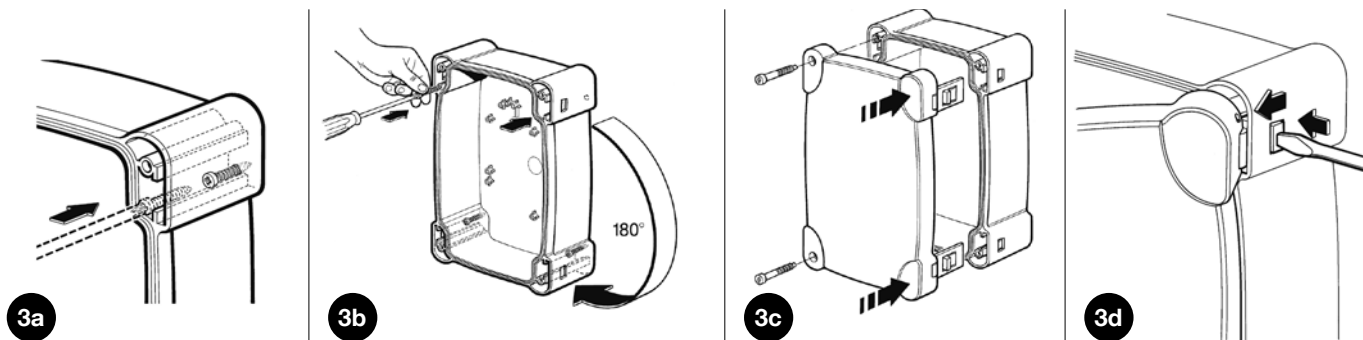
- Podłączyć centralę do linii zasilającej wyposażonej w uzimienie zabezpieczające.
- Linia zasilająca powinna być zabezpieczona odpowiednim urządzeniem magnetotermicznym i różnicowym.
- Do linii zasilającej od strony sieci elektrycznej konieczne jest wstawienie urządzenia rozłączającego (z III kategorią przepięcia, tj. Z odległością pomiędzy stykami co najmniej 3,5 mm) lub innego systemu równoważnego, jak np. gniazdo i odpowiednia wtyczka. Jeżeli urządzenie rozłączające zasilanie nie znajduje się w pobliżu systemu automatyki, należy wstawić system blokujący nie zamierzone lub nie upoważnione włączenie.

3.2) Montaż

Wstawić dwa wkręty w odpowiednie otwory górne przesuwając je w otworze prowadzącym, jak pokazuje rysunek 3A, lekko je przykręcając. Obrócić o 180° centralę i powtórzyć tę samą czynność z innymi dwoma wkrętami. Umocować centralę do ściany.

Przymocować pokrywę od wymaganej strony (otwieraną na prawo lub na lewo) i silnie docisnąć zgodnie ze strzałkami.

Aby usunąć pokrywę, należy nacisnąć śrubokrętem punkt zamocowania, przemieszczając go równocześnie w górę.



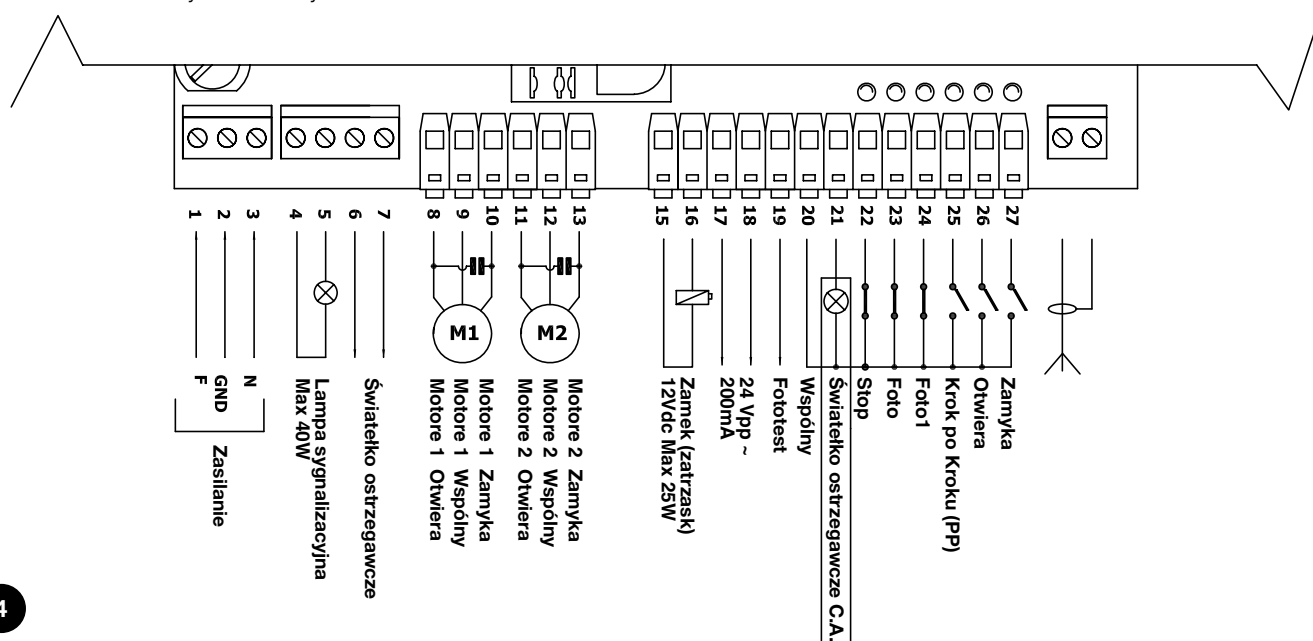
3.3) Połączenia elektryczne

▲ Mając na celu zagwarantowanie bezpieczeństwa operatorowi i zabezpieczenie przed uszkodzeniem elementów urządzenia, podczas wykonywania połączeń lub zakładania poszczególnych kart centrala musi być odłączona od zasilania.

- Podłączyć zasilanie do centrali przewodem 3 x 1,5 mm². Gdy odległość między centralą a uziemieniem przekracza 30 m należy wykonać dodatkowe uziemienie obok centrali.
- Do połączeń elementów zasilanych niskim napięciem należy stosować przewody o przekroju minimalnym 0,25 mm².
- Gdy długość połączenia przekracza 30m należy zastosować przewody ekranowane, oplot uziemienia podłączyć po stronie centrali.
- Nie wykonywać połączeń przewodów w puszkach podziemnych, nawet gdy są wodoszczelne.
- Dla wejść typu NC (Zwykle Zamknięty), gdy nie są używane, należy wykonać mostek z zaciskiem wspólnym "24 V" z wyjątkiem wejść fotokomórek w przypadku, gdy jest włączona funkcja fototestu. Dokładniejsze informacje umieszczone są w paragrafie "Uwagi odnośnie połączeń" "Fototest".
- Gdy do tego samego wejścia podłączamy więcej styków - Zwykle Zamknięte (NC), należy połączyć je wszystkie SZEREGOWO.
- Wejścia typu Zwykle Otwarte (NA), gdy nie są używane, muszą pozostać wolne.
- Gdy do tego samego wejścia podłączamy więcej styków (urządzeń) w systemie - Zwykle Otwarte (NA) należy ustawić je względem siebie RWNOLEGLE.
- Używane przełączniki muszą być typu mechanicznego i bez napięcia; nie dozwolone są połączenia typu "PNP", "NPN", "Open Collector" itd.

Wykonać niezbędne połączenia zgodnie ze schematem na **rys. 4**, i opisem połączeń.

Przypomina się o przestrzeganiu w sposób bezwzględny szczegółowych norm dotyczących zarówno bezpieczeństwa instalacji elektrycznych jak też bram otwieranych automatycznie.



4

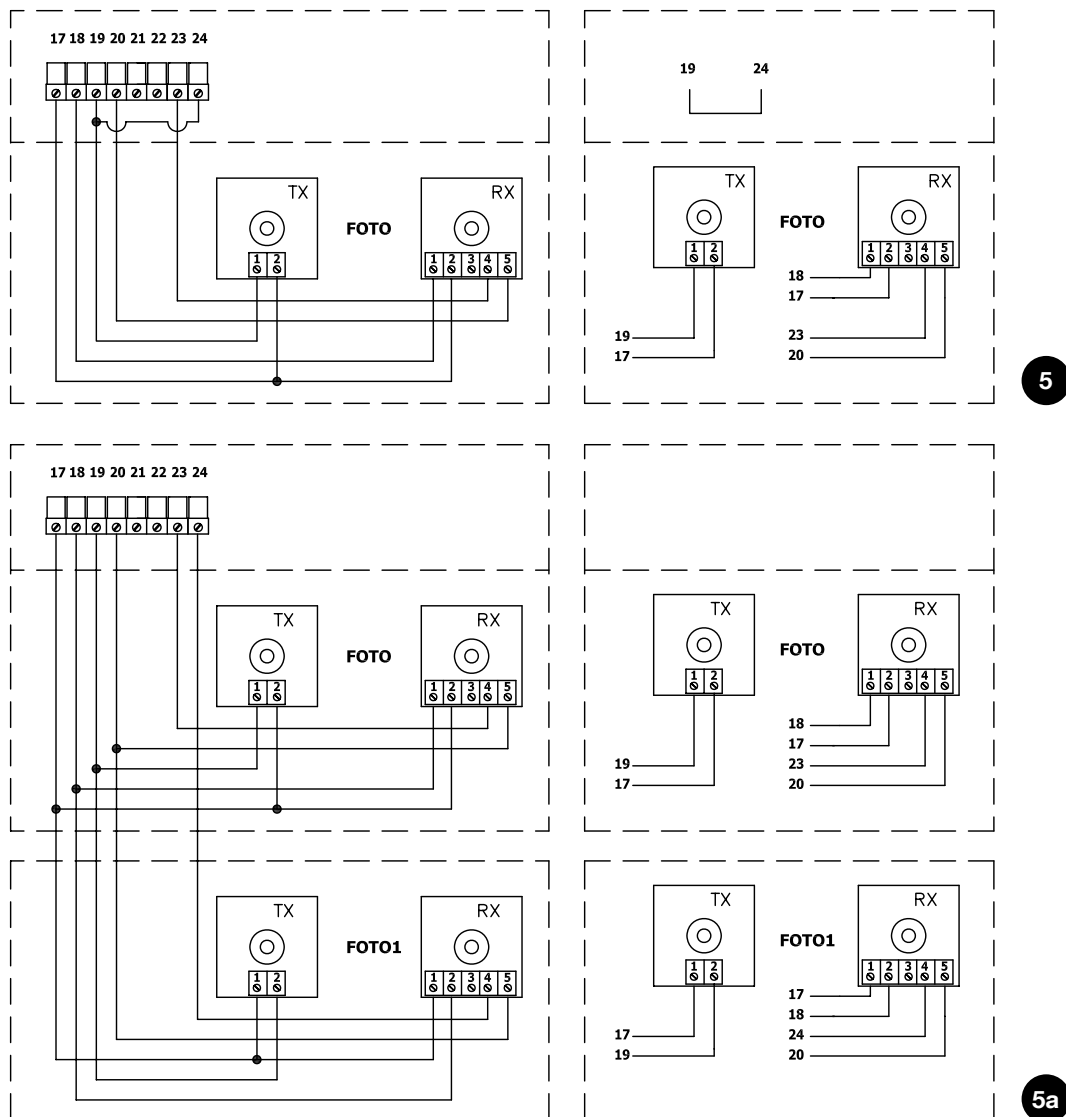
3.4) Opis połączeń

Przedstawiamy krótki opis połączeń centrali na zewnątrz.

Zaciski	Funkcja	Opis
1-2-3 :	Zasilanie =	Zasilania z sieci
4-5 :	Lampa sygnalizacyjna =	Wyjście sieciowe do połączenia lampy sygn. (Max. 40W)
6-7 :	światelko ostrzegawcze =	Wyjście do podłączenia światelka ostrzegawczego (Max. 5A)
8-9-10 :	Motore1 =	Wyjście silnika 1
11-12-13 :	Motore2 =	Wyjście silnika 2
15-16 :	Zamek (zatrask) =	Wyjście 12 Vps do uaktywnienia zamykania, moc maksymalna 25W
17-18 :	24 Vpp =	Zasilanie urządzeń dodatkowych 24Vpp (Max. 200mA)
19 :	Fototest =	Wyjście fototestu (Zasilanie nadajnika (TX) fotokomórek) Max. 75 mA
20 :	Wspólny =	Wspólny dla wszystkich wejść
21 :	światelko ostrzegawcze C.A.=	Wyjście światelka ostrzegawczego bramy otwartej 24 Vpp (Max. 2W)
22 :	Stop =	Wejście z funkcją "Stop" (zatrzymanie i krótkie cofnięcie)
23 :	Foto =	Wejście urządzeń bezpieczeństwa
24 :	Foto1=	Wejście urządzeń bezpieczeństwa
25 :	Krok po Kroku (PP) =	Wejście sterujące typu: Otwiera - Stop - Zamyka - Stop
26 :	Otwiera =	Wejście otwierania
27 :	Zamyka =	Wejścia zamykania
	Antena =	Wejście anteny odbiornika radiowego

3.5) Uwagi odnośnie połączeń

Większość połączeń jest wyjątkowo prosta, znaczną część stanowią połączenia bezpośrednie do pojedynczych urządzeń lub styków, niektóre natomiast realizują łączenia nieco bardziej skomplikowane: Wszystkie silniki asynchroniczne jednofazowe wymagają dla prawidłowego działania podłączenia kondensatora, niektóre siłowniki mają już kondensator podłączony wewnętrznie, inne natomiast wymagają podłączenia kondensatora zewnętrznego. W takim przypadku kondensator winien być podłączony pomiędzy fazy silnika OTWÓRZ i ZAMKNIJ. W praktyce wygodnie jest podłączyć kondensator bezpośrednio wewnątrz centrali.



Na szczególną uwagę zasługuje funkcja Fototestu, która jest optymalnym rozwiązaniem z dziedziny urządzeń bezpieczeństwa i pozwala na osiągnięcie "drugiej kategorii" bezpieczeństwa, według normy UNI EN 954-1 (wyd. 12/1996) w zakresie bezpieczeństwa central i fotokomórek.

Przed każdym rozpoczęciem ruchu siłownika sprawdzane są urządzenia bezpieczeństwa i tylko gdy wszystko jest w porządku, ruch może się rozpocząć. Gdy jednak test nie da pozytywnego wyniku (fotokomórka oślepiąca przez słońce, spięcie na przewodach, itp.) lub zaistnieją inne nieprawidłowości to ruch nie zostanie wykonany.

W celu uzyskania funkcji "Fototestu" należy:

- Ustawić przełącznik 10 na ON
- Połączyć urządzenia zabezpieczające tak jak przedstawiono na **rys. 5**, gdy używamy tylko wyjścia FOTO, lub jak przedstawiono na **rys. 5a** (gdy stosujemy także FOTO1). Zasilanie nadajników fotokomórek nie jest wtedy brane bezpośrednio z zacisków ale z wyjścia "Fototest" Maksymalny pobór prądu z wyjścia "Fototest" to 75A (3 pary fotokomórek Nice)
- Zasiłić odbiorniki bezpośrednio z wyjścia zasilającego centrali (zaciski 17-18).

Test fotokomórek przebiega w następujący sposób: przed każdorazowym uruchomieniem siłownika wykonywana jest kontrola, czy wszystkie podłączone odbiorniki fotokomórek dadzą zezwolenie na ruch, następnie odcina się napięcie od nadajników fotokomórek i sprawdza się czy wszystkie odbiorniki zasygnalizują ten fakt; następnie przywraca się zasilanie do nadajników i ponownie wykonywana jest kontrola obecności zezwolenia na ruch od wszystkich odbiorników. Gdy cała procedura wypadnie pozytywnie, dopiero wtedy rozpocznie się faza ruchu.

Należy jednak uaktywnić synchronizm poprzez stworzenie mostków; jest to jedyny sposób, który zapobiega interferencji pomiędzy fotokomórkami. Dokładne informacje zawarte są w instrukcjach związanych ze "SYNCHRONIZMEM".

W wypadku kiedy jedno z wejść, poddane FOTOTESTOWI nie jest używane (Np. FOTO1), ale tej funkcji jednak żądamy, należy wykonać mostek na wyjściu FOTOTEST (zaciski 19 -24) tak jak przedstawiono na **rys. 5a**.

Gdy nie mamy zamiaru zastosować funkcji Fototestu wystarczy ustawić przełącznik 10 w pozycji dolnej.

3.6) Kontrola połączeń

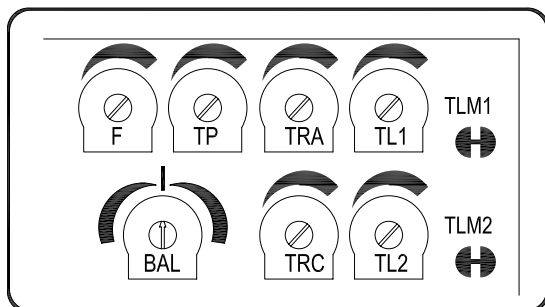
⚠ Czynności tu opisane będą wykonywane na obwodach pod napięciem. Większość obwodów jest pod niskim napięciem więc nie są niebezpieczne, niektóre jednak części podane są napięciu sieciowemu, dlatego też są BARDZO NIEBEZPIECZNE! Poniższe czynności wykonywać bardzo ostrożnie i NIGDY BEZ OBECNOŚCI DRUGIEJ OSOBY!

- Podłączyć zasilanie do centrali i sprawdzić czy pomiędzy zaciskami 17-18 napięcie wynosi 24Vpp.
- Sprawdzić, czy po szybkim miganiu dioda OK zacznie świecić z regularnymi przerwami.
- Sprawdzić czy wszystkie diody odpowiadające wejściom Zamkniętym świecą się (wszystkie zabezpieczenia uaktywnione) i czy odpowiednie diody wejść typu Zwykle Otwarte nie świecą się (bez jakiegokolwiek polecenia); gdy tak nie jest należy sprawdzić połączenia i funkcjonowanie poszczególnych urządzeń. Wejście STOP interweniuje wyłączając wejścia wyłączników krańcowych FCA i FCC.
- Odblokować i ustawić bramę w połowie biegu, po czym zablokować siłownik. W ten sposób skrzydło będzie mogło poruszać się swobodnie zarówno w kierunku otwierania i zamykania.
- Teraz należy sprawdzić czy pierwszy ruch zostanie wykonany we właściwym kierunku, czyli należy sprawdzić zgodność pomiędzy ruchem przewidzianym w centrali z tym wykonywanym przez skrzydło. Kontrola ta jest podstawową kontrolą i gdy kierunek jest błędny, to w niektórych przypadkach (na przykład w systemie półautomatycznym) siłownik mógłby pozornie funkcjonować poprawnie. Otóż cykl OTWIERA jest bardzo podobny do cyklu ZAMYKA, z tą podstawową różnicą, że urządzenia bezpieczeństwa byłyby ignorowane w ruchu Zamyka, który zwykle jest najniebezpieczniejszy, a zainterweniowałyby w ruchu otwierania, powodując odwrócenie tego ruchu i kolizję z obiektem, który przeciął linię fotokomórek, z tragicznymi konsekwencjami.
- Aby sprawdzić, czy kierunek ruchu jest właściwy wystarczy dać (po wyłączeniu i ponownym włączeniu zasilania centrali) krótki impuls na wejście Otwiera i dlatego wystarczy sprawdzić czy siłownik ruszy w kierunku otwierania; Gdy ruszy w kierunku przeciwnym wówczas należy:
 - Wyłączyć zasilanie
 - Poprawnie podłączyć zasilanie do silnika lub do silników. (W wypadku M1 zmienić połączenia 8-10, a w przypadku M2 zmienić połączenia zacisków 11-13).
 - Po wykonaniu powyższych czynności ponownie sprawdzić, czy kierunek obrotu jest właściwy.

Dioda NOKÓ, umieszczona pośrodku karty w pobliżu mikroprocesora ma za zadanie sygnalizować stan logiki wewnętrznej: regularne przerywane świecenie z przerwą 1 sekundy, wskazuje, że mikroprocesor nadzorujący pracę centrali jest aktywny i oczekuje na polecenia. W chwili gdy mikroprocesor rozpoznaje zmianę stanu wejścia (impuls na wejściu lub przełączenie mikroprzełącznika funkcji) to dioda świeci w sposób szybki przerywany, nawet wtedy, gdy zmiana ta nie powoduje efektów natychmiastowych. Świecenie szybkie trwające 1 sekundy wskazuje, że centrala została właśnie podłączona do zasilania i wykonuje test obwodów wewnętrznych. Świecenie przerywane w sposób nierówny wskazuje, że test nie został zakończony pozytywnie i że istnieje anomalia.

4) Regulacje

Regulacje można wykonać trymerami (potencjometrami), którymi zmienia się następujące parametry:



• CZAS PRACY (TL1 TL2):

Reguluje maksymalny czas trwania ruchu otwierania i zamykania silnika 1 (TL1) i silnika 2 (TL2).

Regulacja trymera (TL1 TL2) wykonać przed wykonaniem ruchu pierwszego ruchu zamkniętej bramy (skończony czas pracy 3 skrzydeł); regulować trymer w fazie, kiedy brama jest zamknięta.

Gdy stosujemy wyłącznik graniczny elektroniczny lub blokady mechaniczne zalecamy, aby wyregulować wyłączniki krańcowe lub blokady mechaniczne dla maksymalnego stopnia otwarcia i zamknięcia wybranego skrzydła.

Aby wyregulować czas pracy TL, należy wybrać system pracy "Pół-automatyczny" ustawiając mikroprzełącznik nr 1 na ON po czym ustawić TL w połowie skoku. Z tymi ustawieniami wykonać cykl otwierania i zamykania i ewentualnie wyregulować trymer TL w taki sposób, aby ustawiony czas był wystarczający na wykonanie całego ruchu z rezerwą 2 lub 3 sekund. w zatrzymaniu spowodowanym wył. granicznym elektrycznym (w silnikach z wyłącznikami granicznymi) lub blokadami mechanicznymi.

Aby sprawdzić, kiedy kończy się czas pracy dwóch silników należy sprawdzić wzrokowo stan diody sygnalizacji funkcjonowania silników w centrali (wyłączenie diod odpowiada zakończeniu Czasu pracy danego silnika).

W wypadku, kiedy po ustawieniu trymera TL na maksimum nie otrzymamy wystarczającego czasu, należy przeciąć mostek TLM1 na płycie wydrukowanej w pobliżu trymera tak, aby uzyskać większy zakres regulacji czasu silnika 1 i przeciąć mostek TLM2 na płycie wydrukowanej w pobliżu trymera TL tak, aby uzyskać większy zakres regulacji czasu silnika 2.

Mostki te umieszczone są po stronie trymera.

Gdy zamierzamy zastosować funkcję Zwolnienia (przełącznik 8 ON) należy wówczas wyregulować trymer tak, aby faza zwolnienia zaczęła się 50-70cm przed interwencją wyłączników krańcowych zamykania lub otwierania.

• CZAS OPÓŹNIENIA W OTWIERANIU (TRA) I W ZAMYKANIU (TRC):

Gdy brama złożona jest z 2 skrzydeł, które w wypadku, kiedy rozpoczną ruch w tym samym momencie, mogłyby się zablokować lub, w fazie zamykania, mogłyby zająć jedno na drugie, wówczas należy wyregulować trymerem Czas Opóźnienia zatrzymania (TRA) lub Czas Opóźnienia Zamykania (TRC).

Czyli (TRA) ma być wyregulowany tak, że kiedy skrzydło zostanie poruszone 1 silnikiem to drugie skrzydło ma znajdować się poza zasięgiem ruchu pierwszego.

Trymer (TRC) ma być tak wyregulowany tak, aby skrzydło 2-go silnika doszło do końca biegu w momencie kiedy 1 silnik skończy ruch zamykania.

• CZAS PRZERWY (TP):

Przy funkcjonowaniu "automatycznym" reguluje się czas pomiędzy zakończeniem ruchu otwierania i rozpoczęciem ruchu zamykania. Aby wyregulować Czas Przerwy TP należy wybrać sposób funkcjonowania "Automatyczny" poprzez przestawienie mikroprzełącznika nr 2 na ON i następnie wyregulować czas przerwy trymerem TP według życzenia. Aby wykonać kontrolę należy wykonać ruch otwierania, po czym zmierzyć czas, który mija przed rozpoczęciem ruchu zamykania

• SIŁA (F):

Regulację trymera SIŁY (F) wykonywać ostrożnie, ponieważ ta regulacja może zmienić poziom bezpieczeństwa automatyki.

Regulację należy wykonywać stopniowo mierząc ustawioną siłę docisku skrzydła i dostosowując ją do wymagań normatywnych.

• BILANSOWANIE czasu trwania manewrów (BAL)

Trymer BILANSOWANIA, znajdujący się w tej centrali umożliwia zróżnicowanie czasu pracy podczas manewrów otwierania i zamykania skrzydeł.

Jest to pomocne w przypadku silnika o różnych prędkościach ustawionych dla obu kierunków, jak na przykład silniki hydrauliczne, lub też w przypadku, kiedy skrzydła bramy utraciły równowagę podczas otwierania lub zamykania, powodując różne obciążenia i w związku z tym wymagając zastosowania różnych czasów, umożliwiających pokonanie tej samej przestrzeni.

W związku z tym, jeżeli brama utraciła równowagę podczas zamykania, manewr otwierania może zakończyć się przed zderzakami mechanicznymi, w tym przypadku należy obrócić trymer BAL w kierunku zgodnym z ruchem wskazówek zegara (OT), zwiększając w ten sposób czas pracy podczas otwierania, dopóki zwalnianie nie rozpocznie się w ustalonym wcześniej punkcie (50 cm przed zderzakiem mechanicznym a silniki będą zasilane przez dodatkowe 3 - 5 sekund po dotarciu skrzydeł do zderzaków.

Jeżeli natomiast brama utraciła równowagę podczas otwierania, wtedy należy ją wyrównoważyć obracając trymer BAL w kierunku przeciwnym do ruchu wskazówek zegara (ZAM), udostępniając więcej czasu dla manewru zamykania bramy.

Jeżeli trymer jest ustawiony dokładnie pośrodku, czas pracy dla manewrów otwierania i zamykania będzie taki sam.

4.1) Sposoby funkcjonowania

Przy pracy w trybie ręcznym, wejście Otwiera pozwala na ruch otwierania, wejście Zamyka pozwala na ruch zamykania. Krok po Kroku pozwala na ruch naprzemian: otwierania i zamykania. Zaraz po zwolnieniu przycisku ruch ustaje. Przy zamykaniu ruch zatrzymuje się także, kiedy brakuje polecenia lub pozwolenia z urządzeń zabezpieczających. W fazie otwierania jak i zamykaniu interwencja na wejściu "Alt" powoduje natychmiastowe zatrzymanie ruchu. Przed rozpoczęciem kolejnej fazy ruchu należy najpierw zwolnić przycisk w wejściu. Przy funkcjonowaniu w jednym z trybów automatycznych ("Półautomatyczny", "Automatyczny" lub "Zawsze Zamyka") jeden krótki impuls na wejściu Otwiera powoduje otwieranie. Impuls Krok po Kroku powoduje, alternatywnie, otwieranie lub zamykanie. Następnym impulsem na Krok po Kroku lub na tym samym wejściu, które zaczęło ruch, powoduje zatrzymanie. W fazie otwierania jak i zamykaniu interwencja na wejściu "Alt" powoduje natychmiastowe zatrzymanie ruchu z krótkim odwróceniem ruchu.

Gdy podtrzymany zostanie sygnał stały powoduje się stany "przewagi", w którym inne wyjścia sterujące pozostaną rozłączone (**jest to ważne do podłączenia zegara lub selektora Noc i Dzień**). Przy otwieraniu jak i zamykaniu interwencja na wejściu "Alt" powoduje natychmiastowe zatrzymanie ruchu i krótkie jego odwrócenie.

W przypadku wyboru sposobu funkcjonowania automatycznego, po ruchu otwierania, nastąpi przerwa, po której będzie wykonany ruch zamykania.

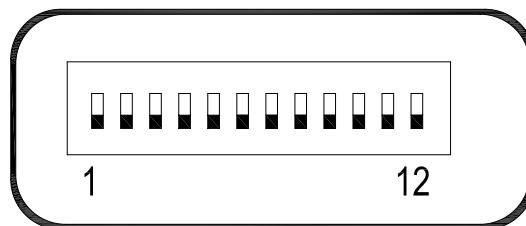
Gdy podczas przerwy zainterweniuje wejście "Foto", to licznik czasu zostanie wyzerowany i zacznie odliczać od nowa Czas Przerwy; gdy jednak podczas przerwy zainterweniuje wejście "Alt" to faza zamykania zostanie skasowana i nastąpi przejście do stanu "Stop". Przy otwieraniu interwencja wejścia "Foto" nie powoduje żadnego efektu; podczas ruchu zamykania interwencja FOTO powoduje zmianę kierunku, przerwę i ponowne zamykanie.

5) Programowanie

W centrali znajduje się zespół mikrowyłączników, które umożliwiają uaktywnianie różnych funkcji w celu przystosowania urządzenia do wymagań użytkownika oraz jego lepszego zabezpieczenia w różnych warunkach użytkowania. Wszystkie funkcje są uaktywniane poprzez ustawienie odpowiedniego przełącznika typu dip-switch w położenie "On" (do góry), natomiast wyłączane przez ich ustawienie w położeniu "Off" (do dołu). Niektóre funkcje nie wywołują bezpośrednio skutku i mają sens jedynie w określonych warunkach.

⚠ UWAGA: niektóre funkcje programowalne dotyczą aspektu bezpieczeństwa; należy ocenić z wielką uwagą skutki działania takiej funkcji i sprawdzić, która funkcja zapewni największy stopień bezpieczeństwa.

Podczas konserwacji urządzenia, zanim dokona się modyfikacji funkcji programowalnej, należy ocenić powód, dla którego na etapie instalacji zostały dokonane odpowiednie wybory, a następnie



sprawdzić, czy na skutek nowego zaprogramowania nie pogorszy się bezpieczeństwo.

5.1) Funkcje programowalne

Zespół przełączników typu dip-switch FUNKCJE umożliwia dokonanie wyboru różnych trybów działania i ustawienia pożądaných funkcji zgodnie z poniższą tabelą:

Przełącznik 1-2	Off-Off	= Ruch "Ręczny" - wymaga obecności operatora
	On -Off	= Ruch "Półautomatyczny2"
	Off-On	= Ruch "Automatyczny " z automatycznym zamykaniem
	On -On	= Ruch "Automatyczny + Zamyka zawsze"
Przełącznik 3	On	= Funkcjonowanie w zespołach mieszkalnych <nie dostępny w trybie ręcznym >
Przełącznik 4	On	= Wcześniejsze zaświecenie się lampy sygnalizacyjnej
Przełącznik 5	On	= Zamyka po 5s po "Foto" <gdy w automatycznym > lub Zamyka po Foto <gdy w półautomatycznym>
Przełącznik 6	On	= Zabezpieczenie "Foto 1" również w otwieraniu
Przełącznik 7	On	= Start stopniowy
Przełącznik 8	On	= Zwolnienie
Przełącznik 9	On	= Utrzymanie ciśnienia
Przełącznik 10	On	= Fototest
Przełącznik 11	On	= Wybór trybu działania światelka ostrzegawczego
Przełącznik 12	On	= Zamyka staje się Otwiera Przejście dla pieszych

UWAGA: Niektóre funkcje możliwe są w określonych warunkach, sygnalizowane są one uwagami pomiędzy następującymi czcionkami: "<...>".

5.2) Opis funkcji

Przedstawiamy krótki opis funkcji, które można włączyć ustawiając przełącznik na "On":

Przełącznik 1-2:	Off-Off	= Ruch "Ręczny" (obecny operator)
	On-Off	= Ruch "Półautomatyczny"
	Off-On	= Ruch "Automatyczny" (zamykanie automatyczne)
	On-On	= Ruch "Automatyczny + Zamyka Zawsze"

Przy funkcjonowaniu "Ręcznym" ruch wykonywany jest tylko przy obecności sygnału sterowania (przycisk przyciśnięty). W "Półautomatycznym" wystarczy jeden krótki impuls sterujący powodujący wykonanie całego ruchu, aż do zakończenia Czasu Pracy lub do interwencji wyłączników krańcowych. W funkcjonowaniu "Automatycznym" po otwieraniu nastąpi przerwa, po czym automatycznie - faza zamykania. Funkcja "Zamyka Zawsze" interweniuje przy braku zasilania w chwili gdy brama jest otwarta. Po przywróceniu zasilania automatycznie rozpocznie się ruch zamykania poprzedzony 5 -sekundowym przerywanym świeceniem lampy.

Switch 3: On = Funkcjonowanie w Zespołach Mieszkalnych (nie-dostępne w systemie ręcznym) Przy funkcjonowaniu w Zespołach Mieszkalnych, po włączeniu ruchu otwierania, nie może być on przerwany kolejnymi impulsami z wejścia Krok po Kroku lub Otwiera, aż do całkowitego otwarcia.

W czasie zamykania nowy impuls sterujący na wejście Krok po Kroku spowoduje zatrzymanie i odwrócenie ruchu w kierunku otwierania.

Switch 4: On = Wcześniejsze zaświecenie się lampy sygnalizacyjnej. Po impulsie sterującym najpierw uaktywnia się lampa i następnie po 5s. (2s. gdy jest to w trybie "Ręcznym") rozpoczyna się ruch.

Switch 5: On = Zamyka po 5s. po "Foto" <gdy w "Automatycznym" > lub Zamyka po "Foto" < gdy w "Półautomatycznym"> Funkcja ta, gdy urządzenie jest w trybie "Automatycznym", służy do utrzymania bramy otwartej tylko na czas potrzebny do przejazdu.

Po zakończeniu interwencji "Foto" ruch zatrzymuje i po 5 s. startuje ruch zamykania. W trybie półautomatycznym interwencja "Foto" przy ruchu zamykania uaktywnia automatyczne zamknięcie po cofnięciu bramy i nastawionym Czasie Przerwy.

Switch 6: On = Zabezpieczenie "Foto" również przy otwieraniu. Zwykle zabezpieczenie "Foto1" jest aktywne tylko w czasie zamykania, gdy przełącznik 6 zostanie ustawiony na "On" sygnał z linii fotokomórek powoduje przerwę ruchu również przy otwieraniu.

W trybie "Półautomatycznym" lub "Automatycznym" kontynuacja ruchu otwierania nastąpi zaraz po zwolnieniu zabezpieczenia.

Switch 7: On = Uderzenie

Przy zastosowaniu aktuatorów zmiennych, czyli brama pozostanie zamknięta prostym pchnięciem silników, będzie konieczne zainstalowanie zamku elektronicznego (zatrasku), (patrz instrukcje aktuatorów i sposób użytkowania).

W ten sposób na elektronicznym zamku może być zastosowane naturalne pchnięcie, które ustawi skrzydło w pozycji lekko otwartej. Czasami pchnięcie to jest tak silne, że zablokuje mechanizm zatrasku zamka elektronicznego.

Z załączoną funkcją uderzenia, przed rozpoczęciem ruchu otwierania, włączony zostanie krótki cykl Zamyka, który nie powoduje żadnego efektu ponieważ skrzydła już znajdują się w pozycji zatrzymania mechanicznego Zamykania. W ten sposób, kiedy elektrozamknięcie zostanie włączone, brama już będzie zwolniona z jakichkolwiek sił, będzie się więc mogła zatrzasnąć.

Switch 8: On = Zwalnianie

Zwalnianie polega na redukcji prędkości do 30% prędkości znamionowej, umożliwiając w ten sposób zredukowanie siły uderzenia w strefach otwierania i zamykania bramy.

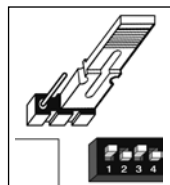
Oprócz zmniejszenia prędkości automatu funkcja zwalniania redukuje o 70% maksymalny moment obrotowy silników.

W automatach, w których wymagane jest zastosowanie dużego momentu obrotowego, ta redukcja może spowodować zatrzymanie silników.

Dlatego też nie może ona być uaktywniana przy bramach ciężkich lub o zwiększonym tarcu.

Po uaktywnieniu funkcji zwalniania należy wyregulować trymer Czas Pracy (CP), ponieważ początek zwalniania jest związany z ustawionym Czasem Pracy. Należy więc wyregulować Czas Pracy w taki sposób, aby zwalnianie rozpoczynało się około 50 cm przed ogranicznikami mechanicznymi, aby w ten sposób silniki były zasilane po dojściu do zderzaka przez dodatkowe 3-5 sekund.

W centrali znajduje się mostek (M-RAL), który umożliwia wybór spośród dwóch trybów ZWALNIANIA; jeden tryb z redukcją momentu obrotowego o 70%, a drugi z redukcją momentu obrotowego o 60% , do zastosowania w bramach o większym ciężarze.



Redukcja momentu obrotowego o 70%



Redukcja momentu obrotowego o 60%

Należy zauważyć, że podczas zwalniania zwiększa się lekko hałas wytwarzany przez silniki.

Przed rozpoczęciem regulacji zwalniania należy przeczytać paragraf "4 Regulacje", zwracając szczególną uwagę na funkcjonowanie trymera Bilansowania (BAL).

Switch 9: On = Utrzymanie ciśnienia

W aktuatorach pneumatycznych pchnięcie, niezbędne do utrzymania bramy w pozycji zamkniętej, wytworzone jest w obwodzie hydraulicznym (ze stałym ciśnieniem). Kiedy czas i zużycie zmniejszą szczelność obwodu hydraulicznego może zaistnieć, że po około godzinie ciśnienie wewnętrzne zmniejszy się i skrzydło bramy pozostanie lekko otwarte. Gdy włączy się funkcję "Utrzymanie ciśnienia", to co 4 godziny, w ciągu których brama jest zamknięta, uaktywniony zostanie krótki ruch zamykania w celu doładowania ciśnienia w obwodzie hydraulicznym.

Switch 10: On = Fototest

Ta funkcja służy do wykonania, na początku każdego ruchu, kontroli funkcjonowania fotokomórek. Patrz rozdział FOTOTEST.

Switch 11: On = światelko ostrzegawcze w trybie impulsu:

W tym trybie wyjście światelka ostrzegawczego pozostanie zamknięte na czas ąs od momentu rozpoczęcia ruchu otwierania lub zamykania dając możliwość interwencji impulsu ewentualnego zewnętrznego regulatora czasu.

Switch 12: On = ZAMYKA stanie się OTWIERA dla przejścia dla pieszych.

W ten sposób ZAMYKA traci swoją funkcję podstawową i staje się wejściem Krok po Kroku dla przejścia dla pieszych, można więc otworzyć tylko jedno skrzydło sterując tylko 2 silnikami.

Należy podkreślić, że cykl Otwiera Przejście dla Pieszych uaktywnia się począwszy od bramy zamkniętej; gdy brama jest w ruchu lub otwarta funkcja ta nie ma żadnego efektu.

6) Próby ostateczne

Po zakończeniu kontroli i regulacji można przejść do prób ostatecznych urządzenia.

⚠ Próby ostateczne automatyki muszą być wykonane przez doświadczony i wykwalifikowany personel ze względu na to, że niosą pewne zagrożenia

Próby są fazą najważniejszą w realizacji automatyki. Każdy pojedynczy element, na przykład silnik, wyłącznik bezpieczeństwa, fotokomórki, itp., mogą wymagać specyficznych testów i dlatego też należy kierować się tutaj procedurami odpowiednich instrukcji obsługi.

Próby ostateczne centrali należy wykonać według poniższej kolejności:

1. Wybór funkcji:
 - ustawić mikroprzełącznik nr 1 na ON (Funkcjonowanie "Półautomatyczne") i ustawić wszystkie pozostałe mikroprzełączniki na OFF.
2. Przycisnąć przycisk "Otwiera" i sprawdzić czy:
 - zaświeci się lampa sygnalizacyjna
 - zacznie się ruch otwierania
 - ruch zatrzyma się po zadziałaniu wyłącznika krańcowego otwierania
3. Przycisnąć przycisk "Otwiera" i sprawdzić czy:
 - zaświeci się lampa sygnalizacyjna
 - zacznie się ruch zamykania
 - ruch zatrzyma się po zadziałaniu wyłącznika krańcowego zamykania
4. Rozpocząć ruch otwierania i sprawdzić czy podczas ruchu interwencja urządzenia:
 - podłączonego do wejścia "Alt", spowoduje natychmiastowe zatrzymanie ruchu i krótkie jego odwrócenie
 - podłączonego do wejścia "Foto", nie spowoduje żadnego efektu

5. Rozpocząć ruch zamykania i sprawdzić czy podczas ruchu interwencja urządzenia:
 - podłączonego do wejścia "Alt", powoduje natychmiastowe zatrzymanie ruchu i krótkie jego odwrócenie
 - podłączonego do wejścia "Foto", spowoduje zatrzymanie i odwrócenie ruchu
 - podłączonego do wejścia "Foto1", spowoduje zatrzymanie i odwrócenie ruchu
6. Sprawdzić na podłączonych wejściach czy uaktywnienie wejścia powoduje skok w sekwencji:
 - Wejście Krok po Kroku: Sekwencja = Otwiera - Stop - Zamyka - Stop
 - Wejście Otwiera: Sekwencja = Otwiera - Stop - Otwiera - Stop
 - Wejście Zamyka: Sekwencja = Zamyka - Stop - Zamyka - Stop
7. Gdy używa się funkcji fototestu sprawdzić efektywność testu:
 - "przeciąć" linię fotokomórek "Foto", podać sygnał do ruszenia siłownika i sprawdzić czy test zostanie wykonany - brama nie powinna ruszyć
 - przerwać fotokomórkę Foto1, startować nowy ruch i sprawdzić czy zostanie wykonany
 - zewrzeć wejście "Foto" , podać sygnał do ruszenia siłownika i sprawdzić czy zostanie wykonany test - brama nie powinna ruszyć
 - zewrzeć wejście "Foto1" , podać sygnał do ruszenia siłownika i sprawdzić czy zostanie wykonany test - brama nie powinna ruszyć
8. Wykonać próby rozpoznania przez centralę przeszkody i określić "Siłę Uderzenia" według normy EN 12445.

Gdy po zakończeniu prób odbiorczych zostaną uaktywnione funkcje, które mogą zmniejszyć poziom bezpieczeństwa urządzenia, należy wykonać dla takich funkcji odpowiednie próby.

6.1) Przekazanie do eksploatacji

Przekazanie do eksploatacji może nastąpić dopiero po wykonaniu, z wynikiem pozytywnym, wszystkich etapów odbioru technicznego centrali i pozostałych urządzeń.

Zabrania się częściowego lub "prowizorycznego" przekazania do eksploatacji.

1. Sporządzić i zachować na minimum 10 lat Dokumentację Techniczną automatyki, która powinna zawierać: rysunek zestawieniowy automatyki, schemat połączeń elektrycznych, analizę ryzyka wraz z opisem wdrożonych środków zapobiegawczych, deklarację zgodności producenta wszystkich użytych urządzeń (dla A60 należy użyć załączoną Deklarację zgodności CE), kopię instrukcji oraz harmonogram konserwacji automatyki.
2. Na bramie zamocuj tabliczkę zawierającą (przynajmniej) następujące informacje: typ automatyki, nazwa i adres instalatora (odpowiedzialnego za "przekazanie do eksploatacji") numer identyfikacyjny, rok produkcji i znak "CE".
3. Zamocuj w sposób trwały na bramie także etykietę lub tabliczkę opisującą operacje wysprężenia oraz manewru ręcznego.
4. Sporządzić i przekazać właścicielowi urządzenia deklarację zgodności automatyki.
5. Sporządzić i przekazać właścicielowi urządzenia książkę "Zalecenia i ostrzeżenia dotyczące eksploatacji automatyki".
6. Sporządzić i przekazać właścicielowi urządzenia harmonogram konserwacji (zawierający wytyczne do konserwacji wszystkich urządzeń wchodzących w skład automatyki).
7. Przed przekazaniem automatyki do eksploatacji poinformuj właściciela w odpowiedni sposób i na piśmie (na przykład w książce "Zalecenia i ostrzeżenia dotyczące eksploatacji automatyki") o ryzyku resztkowym

7) Konserwacja i utylizacja

⚠ W tym rozdziale zamieszczono informacje dotyczące realizacji planu konserwacji oraz utylizacji central A60.

7.1) Konserwacja

Aby utrzymać stały poziom bezpieczeństwa oraz zapewnić maksymalną trwałość systemu automatyki konieczna jest regularna konserwacja urządzenia.

Konserwacja powinna być wykonywana z zachowaniem przepisów bezpieczeństwa zamieszczonych w niniejszej instrukcji oraz zgodnie z przepisami przewidzianymi przez prawo i obowiązujące normy.

Dla urządzeń innych niż **A60** należy postępować zgodnie z odpowiednimi planami konserwacji.e.

1. Konieczne jest przeprowadzanie konserwacji maksimum co 6 miesięcy lub po 10 000 manewrów (zależnie co nastąpi wcześniej).
2. Odłączyć wszelkie źródła zasilania elektrycznego.
3. Sprawdzić stan zniszczenia wszystkich materiałów, z których składa się system automatyki; szczególną uwagę zwrócić na zjawisko korozji i utleniania elementów konstrukcyjnych; wymienić te części, które nie spełniają odpowiednich wymagań.
4. Ponownie podłączyć źródła zasilania elektrycznego i przeprowadzić wszystkie próby i sprawdzenie przewidziane w rozdziale 6 "Odbiór techniczny".

7.2) Utylizacja

Podobnie jak w przypadku montażu, również czynności związane z demontażem muszą być wykonane przez wykwalifikowany personel techniczny. Produkt ten składa się z różnego rodzaju materiałów, niektóre z nich mogą być powtórnie użyte, inne muszą zostać podane utylizacji. Zasięgnij informacji odnośnie systemów recyklingu i utylizacji, przewidzianych zgodnie z lokalnymi przepisami obowiązującymi dla tej kategorii produktu.

⚠ Niektóre elementy produktu mogą zawierać substancje szkodliwe lub niebezpieczne, które po wyrzuceniu, mogłyby zaszkodzić środowisku lub zdrowiu ludzkiemu.

Zgodnie ze wskazaniem symbolu na rys., zabrania się wyrzucania tego produktu do odpadów domowych. Należy przeprowadzić "segregację odpadów" na potrzeby utylizacji, według metod przewidzianych lokalnymi przepisami lub zwrócić produkt sprzedawcy podczas zakupu nowego, równorzędnego produktu.



Lokalne przepisy mogą przewidywać poważne sankcje w przypadku nielegalnej utylizacji produktu.

8) Akcesoria

ODBIORNIK RADIOWY

Na płycie centrali znajduje się gniazdo do wpięcia odbiornika radiowego SM wyprodukowanego przez Nice. Służy on do sterowania wyjściem. Umożliwia zarządzanie centralą na odległość .

- wyjście 1 P.P.
- wyjście 2 Otwiera bramkę
- wyjście 3 Otwarcie
- wyjście 4 Zamknięcie

9) Dane techniczne

W celu poprawy własnych produktów Nice S.p.a. zastrzega sobie prawo do modyfikacji danych technicznych w każdej chwili i bez uprzedzenia z zachowaniem utrzymania funkcjonalności i przeznaczenia produktu.

Wszystkie przytoczone dane techniczne odnoszą się do temperatury otoczenia 20°C (±5°C).

Model:	A60	A60/V1
Zasilanie	230 Vac ± 10%, 50 - 60 Hz	120 Vac ± 10%, 50 - 60 Hz
Maksymalna moc siłowników	300 W [1,3 A]	300 W [2,5 A]
Maksymalna moc lampy ostrzegawczej	100W	
Maksymalna liczba cykli na godzinę	nieograniczony	
Maksymalna liczba kolejnych cykli	nieograniczony	
Maksymalny prąd wyjścia 24 Vac	200 mA	
Maksymalny prąd na wyjściu fototest	75 mA	
Maksymalna moc kontrolki SCA (24Vac)	2 W	
Maksymalna moc zamka elektrycznego (12 Vac)	15 VA	
Czas pracy	od 2,5 do 40 sek. (od 40 do 80 sek. z TLM)	
Czas przerwy	od 5 do 80 sek.	
Czas opóźnienia otwierania TRA	0 lub od 2.5 do 12 sek.	
Czas opóźnienia zamykania TRC	0 lub od 2.5 do 12 sek.	
Czas bilansowanie BAL	od 0 do 8 sek.	
Regulacja siły	Od 0 do 100 %	
Temperatura pracy	-20 ÷ 50 °C	
Wymiary	280 x 220 x 110 mm	
Ciężar	1,9 kg	
Stopień bezpieczeństwa	IP 55 (nieuszkodzona skrynka)	

Zalecenia i ostrzeżenia skierowane do użytkownika A60

• **Przed pierwszym użyciem automatyki**, poproście instalatora o wyjaśnienie możliwych przyczyn zaistnienia ewentualnego ryzyka resztkowego i przeczytajcie **zalecenia i ostrzeżenia dla użytkownika**, które otrzymaliście od instalatora. Instrukcję należy zachować na przyszłość i przekazać ją ewentualnemu następnemu właścicielowi automatyki.

• **Państwa automatyka to urządzenie, które dokładnie wykonuje wydane przez Państwa polecenia.** Nieodpowiedzialne lub niewłaściwe użycie może spowodować powstanie niebezpiecznej sytuacji. Nie należy wydawać polecenia manewru, jeśli w pobliżu bramy znajdują się osoby, zwierzęta lub przedmioty.

• **Dzieci:** automatyka gwarantuje wysoki poziom bezpieczeństwa, a jej systemy monitorujące uniemożliwiają wykonanie ruchu w obecność osób lub rzeczy i zapewniają zawsze uruchomienie przewidywalne i bezpieczne. Mimo to lepiej zabronić dzieciom bawienia się w pobliżu automatyki oraz nie zostawiać nigdy pilotów bez nadzoru, aby uniknąć nieumyślnej aktywacji urządzenia: **to nie zabawka!**

• **Fotokomórki nie są urządzeniem zabezpieczającym**, ale tylko urządzeniem pomocniczym bezpieczeństwa. Są skonstruowane w technologii najwyższej niezawodności, ale mogą w sytuacjach ekstremalnych ulegać nieprawidłowościom lub po prostu psuć się a w niektórych przypadkach uszkodzenie może nie być od razu widoczne.

Z tych powodów oraz dla stosowania dobrej reguły:

- Przejście jest zalecane tylko w przypadku, gdy brama jest całkowicie otwarta a skrzydła nieruchome.
- **JEST BEZWZGLĘDNIEM ZABRONIONE** przechodzenie, gdy brama jest w trakcie zamykania!

Okresowo należy kontrolować prawidłowość działania fotokomórek oraz wykonywać przewidziane kontrole serwisowe przynajmniej co 6 miesięcy.

• **Anomalie:** W przypadku odnotowania jakichkolwiek anomalii w funkcjonowaniu automatyki należy od razu odłączyć zasilanie i wysprzęglić ręcznie siłownik. Nie próbujcie sami naprawiać urządzenia, lecz zwróćcie się o pomoc do Państwa instalatora. W międzyczasie można dalej użytkować bramę, otwierając ją ręcznie po wcześniejszym wysprzęgleniu siłownika według procedury opisanej w instrukcji konkretnego siłownika.

• **Konserwacja:** Automatyka, jak każda maszyna, wymaga okresowej konserwacji, co gwarantuje jej bezpieczne i długoletnie funkcjonowanie. Warto uzgodnić z Państwa instalatorem harmonogram przeglądów. Firma Nice zaleca przeglądy co sześć miesięcy w sytuacji normalnej domowej eksploatacji, jednak ich rzeczywista częstotliwość powinna być ustalona w zależności od intensywności użytkowania. Wszystkie prace kontrolne, konserwacyjne i naprawcze muszą być wykonane wyłącznie przez wykwalifikowany personel.

- Jeżeli nawet uważacie, że wiecie, jak to zrobić, nie modyfikujcie instalacji oraz parametrów programowania i regulacji systemu automatyki: odpowiedzialność za to ponosi Państwa instalator.
- Odbiór techniczny, okresowe konserwacje i ewentualne naprawy powinny być udokumentowane przez osobę wykonującą a dokumenty zachowane przez właściciela urządzenia.

Jedynie czynności, które możecie i powinniście okresowo wykonywać, to czyszczenie szyb fotokomórek i usuwanie ewentualnych liści czy kamieni, które mogłyby przeszkodzić w ruchu bramy. Przed przystąpieniem do tych prac pamiętajcie o **wysprzęgleniu siłownika** (według instrukcji danego siłownika), co pozwoli uniknąć niespo-

dziewanego uruchomienia bramy. Do czyszczenia używajcie jedynie ściereczki lekko zwilżonej wodą.

• **Utylizacja:** Po zakończeniu okresu eksploatacji automatyki upewnijcie się, że demontaż zostanie przeprowadzony przez wykwalifikowany personel, a materiały zostaną poddane recyklingowi lub utylizacji zgodnie z obowiązującymi lokalnymi przepisami.

• **Uszkodzenie lub brak zasilania:** kiedy czekacie na instalatora lub na przywrócenie zasilania, jeżeli urządzenie nie jest wyposażone w akumulator buforowy, możecie obsługiwać bramę normalnie, jak zwykłą nie zautomatyzowaną bramę. W tym celu należy wysprzęglić siłownik (jedynie działanie zalecane użytkownikowi). Jest to operacja opracowana przez firmę Nice ze specjalną troską, aby zagwarantować Państwu jak najłatwiejsze użycie, które nie wymaga specjalnych narzędzi, ani dużego wysiłku.

• **Wymiana baterii pilota:** jeżeli Państwa pilot po jakimś czasie użytkowania wydaje się działać słabiej lub nie działa w ogóle, to przyczyną może po prostu być wyczerpana bateria (zależnie od intensywności używania baterie mogą wytrzymywać od kilku miesięcy do ponad roku). Można to zauważyć, gdy kontrolka potwierdzająca wysyłanie sygnału nie pali się, jest przygaszona lub zapala się tylko na krótką chwilę. Zanim zwróćcie się do instalatora spróbujcie wymienić baterię na tę z innego pilota, który działa.: jeżeli to będzie przyczyną nieprawidłowości, wystarczy wymienić baterię na inną, nową - tego samego typu.

Baterie zawierają substancje zanieczyszczające: nie wyrzucajcie ich do zwykłych śmieci, ale postępujcie zgodnie z zasadami utylizacji tego typu odpadów, określonymi przez lokalne przepisy.

Inhoudsopgave:		Pag.			
1	Aanbevelingen	87	5	Programmering	95
2	Elektrische aansluitingen	88	5.1	Programmeerbare functies	95
2.1	Gebruikslimieten	89	5.2	Beschrijving van de functies	96
2.2	Installatievoorbeeld	89	6	Eindtest	97
2.3	Lijst kabels	89	6.1	Inbedrijfstelling	97
3	Installatie	90	7	Onderhoud en afvalverwerking	98
3.1	Controles vooraf	90	7.1	Onderhoud	98
3.2	Bevestiging	90	7.2	Afvalverwerking	98
3.3	Elektrische aansluitingen	91	8	Accessoires	98
3.4	Beschrijving van elektrische aansluitingen	91	9	Technische gegevens	98
3.5	Opmerkingen over de aansluitingen	92			
3.6	Controle van de aansluitingen	93			
4	Afstellingen	94			
4.1	Werkingsmodi	95			

1) Aanbevelingen

Deze handleiding bevat belangrijke informatie voor de veiligheid van de installatie. Alvorens u met de installatie gaat beginnen, dient u alle in deze handleiding vervatte aanwijzingen te lezen. Bewaar deze handleiding ook voor later gebruik.

Met het oog op gevaarlijke situaties die zich tijdens de installatie en het gebruik kunnen voordoen, moeten ook tijdens de installatie de wetten, voorschriften en regels volledig in acht genomen worden. In dit hoofdstuk zullen algemene aanbevelingen gegeven worden; andere belangrijke aanbevelingen vindt u in de hoofdstukken "3.1 Controles vooraf"; "6 Eindtest en inbedrijfstelling".

⚠ Volgens de meest recente Europese wetgeving valt het aanleggen van een automatische deur of poort onder wat voorzien is in de Richtlijn 98/37/EG (Machinerichtlijn) en met name onder de normen: EN 13241-1 (geharmoniseerde norm); EN 12445; EN 12453 en EN 12635, waardoor het mogelijk is een verklaring van overeenstemming met de machinerichtlijnen af te geven.

Verdere inlichtingen, richtlijnen ten aanzien van het vaststellen van risico's en het samenstellen van het technische dossier zijn beschikbaar op: "www.niceforyou.com". Deze handleiding is uitsluitend bestemd voor technisch personeel dat voor de installatie bevoegd is. Behalve de specifieke los te halen bijlage welke de installateur dient te verzorgen, namelijk "Aanwijzingen en aanbevelingen bestemd voor de gebruiker" kan andere informatie die in dit dossier is vervat, niet als interessant voor de eindgebruiker worden beschouwd!

- Ieder ander gebruik dat niet voorzien is in deze aanwijzingen, is verboden; oneigenlijk gebruik kan gevaar opleveren of letsel en schade aan mensen en zaken veroorzaken.
- Voordat u met de installatie begint, dient u een analyse van de risico's te maken waarvan de lijst met essentiële veiligheidseisen zoals die in Bijlage I van de Machinerichtlijn zijn voorzien, deel uitmaakt; hierin geeft u de toegepaste oplossingen aan. Wij maken u erop attent dat de risicoanalyse één van de documenten is, die deel uitmaken van het "technisch dossier" van de automatisering.
- Controleer of er verdere inrichtingen nodig zijn om de automatisering op basis van de specifieke toepassingssituatie en aanwezige gevaren te completeren; u dient daarbij bijvoorbeeld risico's op het gebied van botsen, beknelling, scharen, etc. en andere gevaren in het algemeen, in acht te nemen.
- Breng geen wijzigingen aan onderdelen aan, indien dit niet in deze handleiding is voorzien. Dergelijke handelingen kunnen alleen maar storingen veroorzaken; NICE wijst elke aansprakelijkheid voor schade tengevolge van gewijzigde artikelen van de hand.
- Zorg ervoor dat er tijdens het installeren niets, ook geen vloeistof, in de besturingseenheid of andere open inrichting kan komen; neem eventueel contact op het technisch servicecentrum van NICE; het gebruik in deze situaties kan een gevaarlijke situatie doen ontstaan.
- Het automatische mag niet gebruikt worden, voordat inbedrijfstelling heeft plaatsgevonden zoals dat in hoofdstuk: "6 Eindtest en inbedrijfstelling" is aangegeven.
- De afvalverwerking van het verpakkingsmateriaal moet geheel en al volgens de plaatselijk geldende regels plaatsvinden.
- Indien er zich een storing voordoet die u niet met behulp van de in deze handleiding vervatte informatie kunt oplossen, gelieve u contact op te nemen met de technische servicedienst van NICE.
- Wanneer er een automatische schakelaar of zekering in werking is getreden, dient u de storing op te zoeken en die te verhelpen alvorens die terug te stellen.
- Voordat u de interne klemmetjes onder de dekplaat aanraakt, dient u alle circuits van stroomtoevoer los te koppelen; indien dit niet te zien is, dient u een bord aan te brengen met de tekst: "LET OP ONDERHOUDSWERKZAAMHEDEN IN UITVOERING".

Bijzondere aanbevelingen ten aanzien van de gebruiksgeschiktheid van dit product met betrekking tot de "Machinerichtlijn" 98/37/EG (ex 89/392/ EEG):

- Dit product wordt op de markt gebracht als een "machineonderdeel" en is er dus voor gemaakt om in een machine ingebouwd te worden of met andere machines geassembleerd te worden teneinde "een machine" op grond van de Richtlijn 98/37/ EG te vormen, en dat alleen in combinatie met andere onderdelen op de manier zoals dat in deze handleiding beschreven is. Zoals dat voorzien is in de Richtlijn 98/37/ EG wordt ervoor gewaarschuwd dat het niet geoorloofd is dit product in bedrijf te stellen zolang de fabrikant van de machine waarin dit product wordt opgenomen, deze niet heeft geïdentificeerd en conform de Richtlijn 98/37/ EG verklaard.

Bijzondere aanbevelingen ten aanzien van de gebruiksgeschiktheid van dit product met betrekking tot de Richtlijn "Laagspanning" 73/23/ EEG en de daaropvolgende wijziging 93/68/ EEG:

- Dit product voldoet aan de eisen van de Richtlijn "Laagspanning", indien het gebruikt wordt voor de toepassing en in de configuratie zoals dat in deze handleiding met aanwijzingen voorzien is en in combinatie met de artikelen uit de productencatalogus van Nice S.p.a. Het zou kunnen zijn dat er niet aan deze eisen voldaan wordt, als het product gebruikt wordt in een configuratie of met andere producten die niet voorzien zijn; het is verboden het product in deze situaties te gebruiken zolang degene die de installatie verricht niet heeft gecontroleerd of het aan de in de Richtlijn gestelde eisen voldoet.

Bijzondere aanbevelingen ten aanzien van de gebruiksgeschiktheid van dit product met betrekking tot de Richtlijn "Elektromagnetische Compatibiliteit" 89/336/ EEG en daaropvolgende wijzigingen 92/31/ EEG en 93/68/ EEG:

- Dit product voldoet aan de eisen van de Richtlijn "Laagspanning", indien het gebruikt wordt voor de toepassing en in de configuratie zoals dat in deze handleiding met aanwijzingen voorzien is en in combinatie met de artikelen uit de productencatalogus van Nice S.p.a. Het zou kunnen zijn dat er niet aan deze eisen voldaan wordt, als het product gebruikt wordt in een configuratie of met andere producten die niet voorzien zijn; het is verboden het product in deze situaties te gebruiken zolang degene die de installatie verricht niet heeft gecontroleerd of het aan de in de Richtlijn gestelde eisen voldoet.

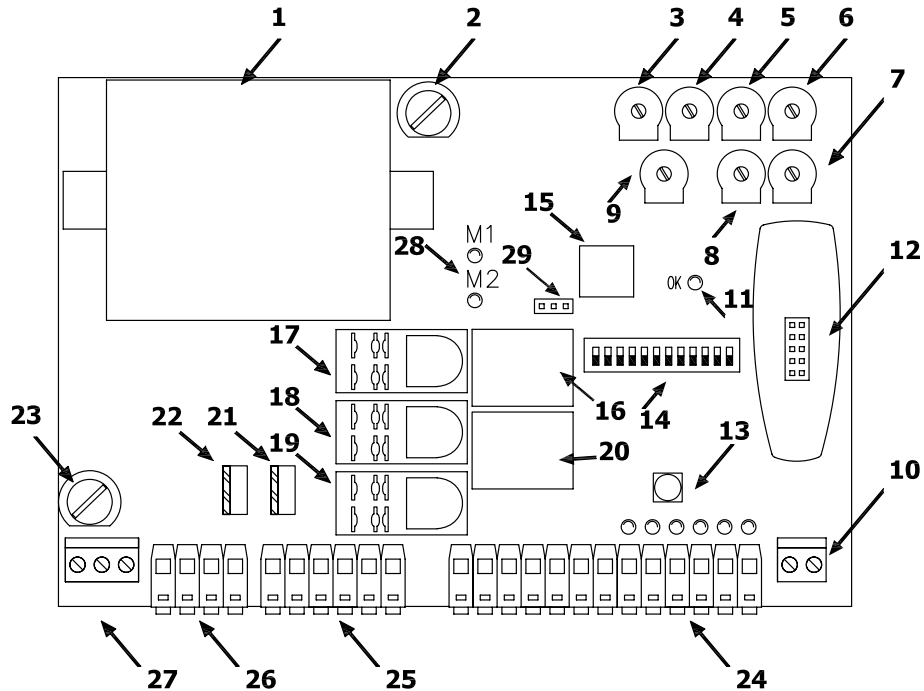
2) Beschrijving van het product

Met deze besturingseenheid voor het automatiseren van automatische poorten en deuren is het mogelijk 2 monofase wisselstroomreductiemotoren aan te sturen.

De besturingseenheid beschikt over een aantal dipschakelaars (minikeuzeschakelaars) waarmee u de verschillende functies kunt activeren, en trimmers waarmee het mogelijk is een aantal afstellingen uit te voeren.

De staat van de ingangen wordt door speciale leds bij de ingangen aangegeven; een ander Led bij de microprocessor geeft aan of de interne logica correct werkt.

Om de delen gemakkelijk te herkennen zijn op **afb.1** de belangrijkste onderdelen afgebeeld.



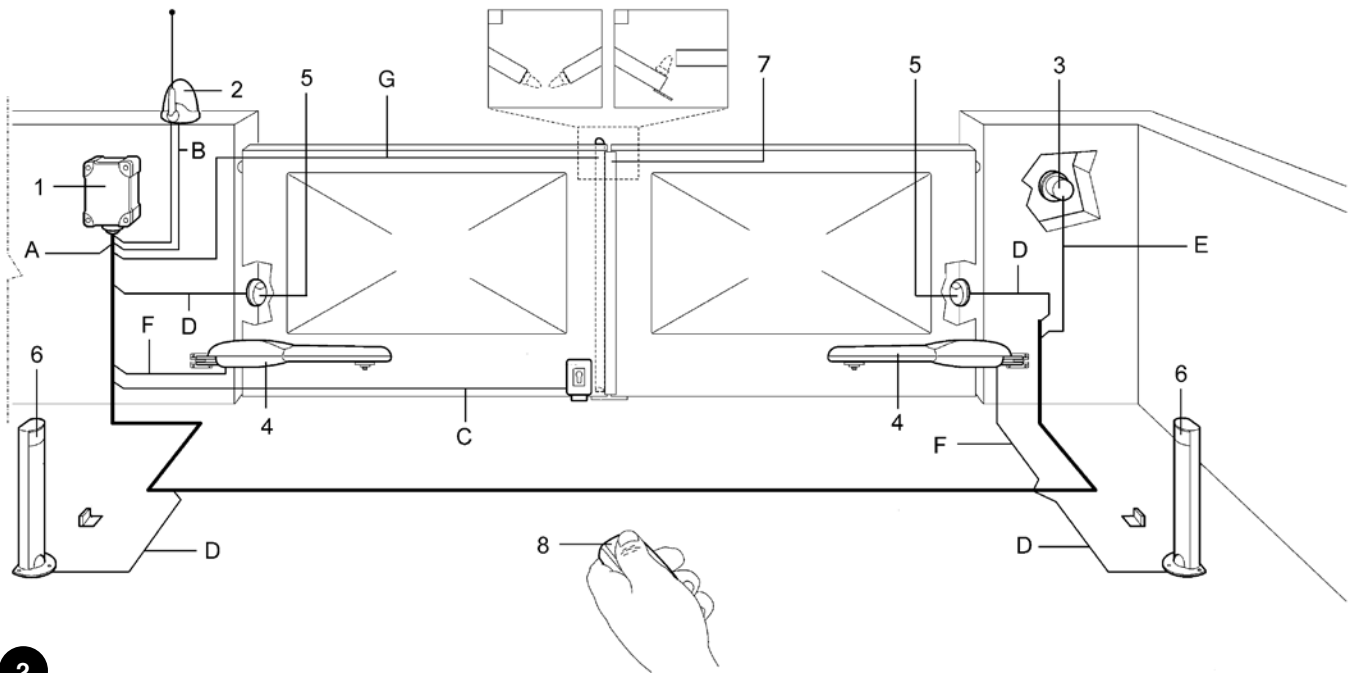
1

- | | | | |
|----|---|----|---|
| 1 | Transformator | 16 | Relais Elektrische slot |
| 2 | Laagspanningzekering (500 mA F) | 17 | Relais gemeenschappelijk motoren |
| 3 | Trimmer voor afstelling van de kracht (F) | 18 | Relais Gebruikerslicht |
| 4 | Trimmer voor afstelling van de Pauzeduur (TP) | 19 | Relais richting manoeuvre Open/Sluit |
| 5 | Trimmer voor afstelling Vertragsduur bij Opening (TRA) | 20 | Relais Fototest |
| 6 | Trimmer voor afstelling Werkingsduur motor 1 (TL1) | 21 | Triac motor 2 |
| 7 | Trimmer voor afstelling Werkingsduur motor 2 (TL2) | 22 | Triac motor 1 |
| 8 | Trimmer voor afstelling Vertragsduur bij Sluiting (TRC) | 23 | Snelzekering (5A bij 230 Vac) of (6,3A bij 120 Vac) |
| 9 | Trimmer voor het balanceren van de manoeuvre (BAL) | 24 | Klemmenstrip ingangen / uitgangen voor instructie |
| 10 | Klemmenstrip voor antenne | 25 | Klemmenstrips uitgangen motor |
| 11 | Led OK | 26 | Klemmenstrip uitgangen knipperlicht en Gebruikerslicht |
| 12 | Insteekcontact Radio | 27 | Klemmenstrip voor stroomvoorziening |
| 13 | Knop Stap-voor-stap | 28 | Led signalering werking motoren |
| 14 | Dipschakelaar voor het selecteren van de functies | 29 | Bruggetje voor het selecteren van het type vertraging (M-RAL) |
| 15 | Microprocessor | | |

2.1) Gebruikslimieten

De gegevens met betrekking tot de prestaties van de producties kunt u in hoofdstuk "9 Technische gegevens" vinden en dat zijn de enige waarden waarmee het mogelijk is correct te beoordelen of het product voor een bepaalde toepassing geschikt is.

2.2) Installatievoorbeeld



2

- | | |
|--|---------------------------|
| 1. Besturingseenheid A60 | 5. Stel fotocellen FOTO |
| 2. Knipperlicht met ingebouwde antenne | 6. Stel fotocellen FOTO 1 |
| 3. Sleutelschakelaar | 7. Contactlijst |
| 4. Reductiemotoren | 8. Radiozender |

2.3) Lijst kabels

Op het installatievoorbeeld op afbeelding 2 worden ook de kabels aangegeven die noodzakelijk zijn voor het aansluiten van de verschillende inrichtingen; in tabel 1 worden de kenmerken van de kabels aangegeven.

⚠ De gebruikte kabels moeten geschikt zijn voor het type installatie; zo bevelen we bijvoorbeeld een kabel van het type H03VVF aan, wanneer die binnenshuis gebruikt wordt of van het type H07RN-F wanneer ze buitenshuis gebruikt wordt!

Tabel: Lijst kabels

Aansluiting	Type kabel	Maximaal toegestane lengte
A: Leiding elektrische stroomvoorziening	N°1 kabel 3x1,5mm ²	30m (opmerking 1)
B: Knipperlicht met antenne	N°1 kabel 2x0,5mm ²	20m
	N°1 afgeschermde kabel type RG58	20m (aanbevolen lengte minder dan 5m)
C: Elektrisch slot	N°1 kabel 2x1mm ²	20m
D: Fotocellen	N°1 kabel 2x0,25mm ² (Tx)	30m
	N°1 kabel 4x0,25mm ² (Rx)	30m
E: Sleutelschakelaar	N°1 kabel 4x0,25mm ²	30m
F: Aansluiting motoren	N°1 kabel 4x1,5mm ²	3m
G: Aansluiting contactlijst	N°1 kabel 2x0,25mm ²	30m

Opmerking 1: als de voedingskabel een lengte van meer dan 30 m heeft, is er een kabel met een grotere doorsnede nodig, bijvoorbeeld 3x2,5mm² en dient er aarding in de nabijheid van de automatisering plaats te vinden.

3) Installatie

⚠ De installatie dient door gekwalificeerd personeel uitgevoerd te worden waarbij de wetten, voorschriften en regels en wat in deze aanwijzingen staat, in acht dienen te worden genomen.

3.1) Controles vooraf

Voordat u met de installatie begint, dient u onderstaande controles uit te voeren:

- Vergewis u ervan dat al het te gebruiken materiaal in een optimale staat is en geschikt is voor gebruik alsook conform de voorschriften is.
- Controleer of de structuur van de poort ervoor geschikt is geautomatiseerd te worden.
- Controleer of de punten van bevestiging van de diverse inrichtingen zo gekozen zijn dat er niet tegen aan gestoten kan worden en of de bevestigingsvlakken stevig genoeg zijn.
- Breng alleen in de onderkant van de besturingseenheid speciale kabelklemmen of doorvoerbuizen aan; om geen enkele reden mogen er in de zijwanden of bovenwand boringen gemaakt worden.

De kabels mogen de besturingseenheid alleen van beneden af binnenkomen!

- Breng adequate mechanische stops die aan de grond verankerd zijn, zowel voor de openings- als voor de sluitmanoeuvre.
- Zorg ervoor dat er geen enkel deel van het automatisme in water of een andere vloeistof terecht kan komen.
- Houd A60 uit de buurt van relevante warmtebronnen en open vuur. Breng ze ook niet in ruimten waar ontploffingsgevaar bestaat of waar de omgeving bijzonder zuur of zout is.

Anders zouden A60 schade kunnen oplopen of zouden er storingen of gevaarlijke situaties kunnen ontstaan.

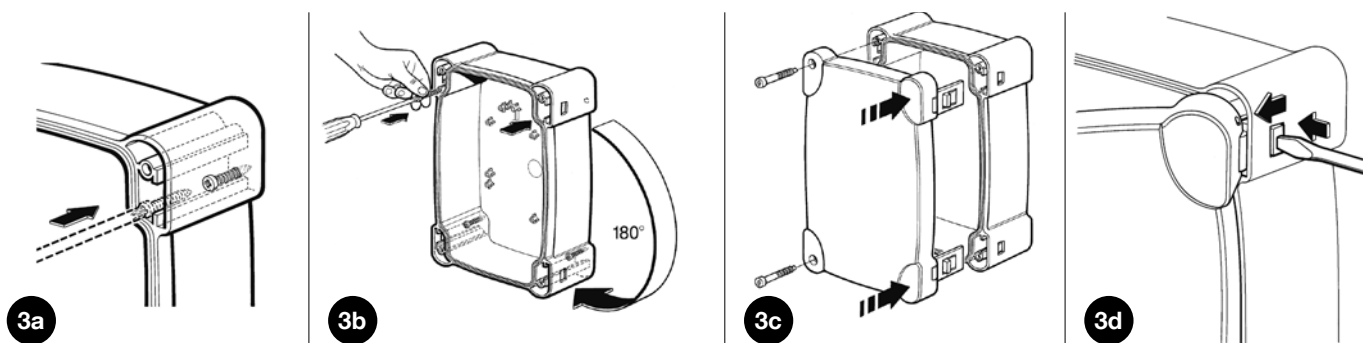
- Indien er in de vleugel een kleinere toegangsdeur is of een deur in het manoeuvregebied van de deur, dient u zich ervan te vergewissen dat deze de normale loop niet belemmert, en indien dit wel het geval is, voor een adequate blokkering te zorgen.
- Sluit de besturingseenheid aan op een toevoering voorzien van aarding.
- De leiding van de elektrische stroomvoorziening dient door een adequate thermomagnetische en differentiaalschakelaar beveiligd te zijn
- Op de toevoering van het elektriciteitsnet dient er een scheidingschakelaar te worden aangebracht (met overspanningscategorie III, d.w.z. een afstand van tenminste 3,5 mm tussen de contacten) of een gelijkwaardig systeem, bijvoorbeeld een contactdoos met bijbehorende stekker. Als de scheidingschakelaar niet in de buurt van de automatisering is, moet er een blokkeringssysteem voorzien worden, zodat het onmogelijk is per ongeluk of onbevoegd de aansluiting tot stand te brengen.

3.2) Bevestiging

Steek de twee schroeven in de speciale boringen bovenaan en laat ze in de geleider glijden, zoals u dat kunt zien op afb. 3A waarbij u ze gedeeltelijk aandraait. Draai de besturingseenheid 180° om en doe hetzelfde met de twee andere schroeven. Bevestig de besturingseenheid aan de wand.

Breng de dekplaat op de gewenste zijde aan (met opening rechts of links), druk krachtig in de richting van de pijlen.

Druk, om de dekplaat te verwijderen, met een schroevendraaier op het punt waar hij vastzit, en duw daarbij tegelijkertijd naar boven.



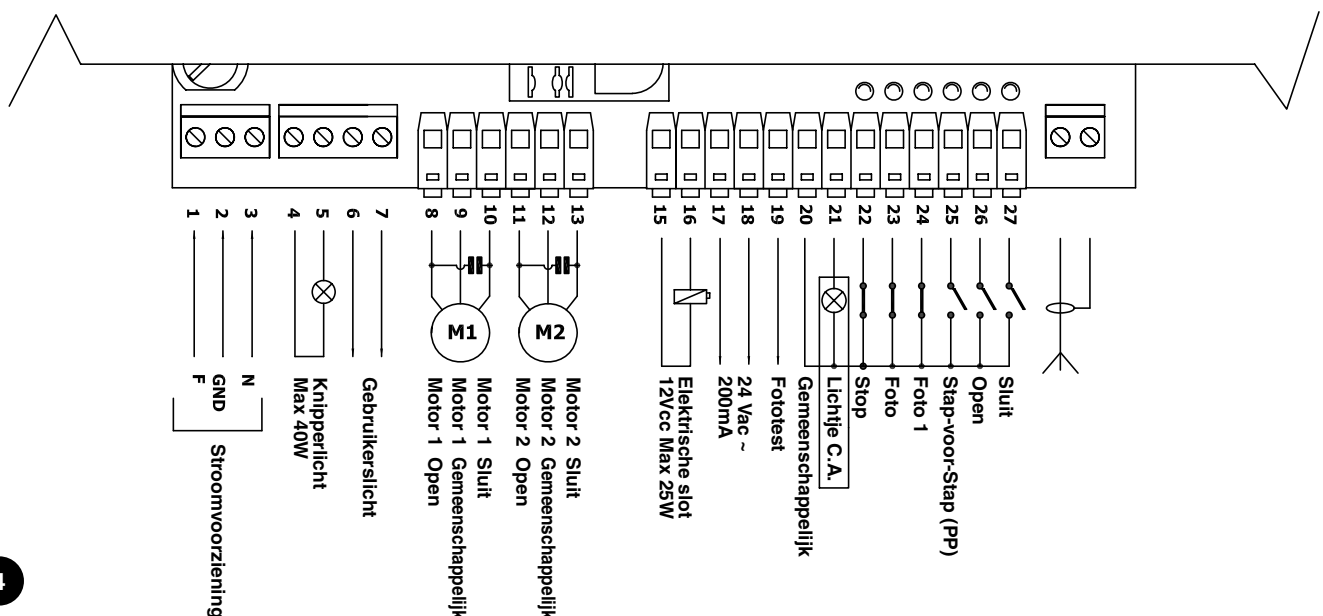
3.3) Elektrische aansluitingen

⚠ Om de veiligheid van de technicus te garanderen en schade aan de componenten te voorkomen, moet de besturingseenheid bij het uitvoeren van aansluitingswerkzaamheden of bij het insteken van de verschillende kaarten, absoluut uitgeschakeld zijn.

- Sluit de besturingseenheid met een kabel van 3 x 1,5 mm² op het elektriciteitsnet aan; als de afstand tussen de besturingseenheid en de aansluiting op de installatie meer dan 30 m bedraagt, dient u in de buurt van de besturingseenheid voor aarding te zorgen.
- Bij de aansluitingen van dat deel dat op laagstroom werkt dient u kabeltjes te gebruiken met een minimumdoorsnede van 0,25mm²
- Gebruik afgeschermd kabeltjes als de lengte meer dan 30 m bedraagt en sluit de mantel alleen aan de kant van de besturingseenheid op de aarde aan.
- Maak absoluut geen aansluitingen op kabels in boxen onder de grond ook al zijn die helemaal waterdicht.
- De ingangen van de contacten van het type NC (normaal gesloten), indien niet gebruikt, dienen via een brug met "Gemeenschappelijk 24 Vcc" verbonden te worden met uitzondering van de ingangen van de fotocellen indien de functie fototest is ingeschakeld. Zie voor verdere informatie paragraaf "Opmerkingen bij de aansluitingen" in het deel "Fototest"
- Als er voor dezelfde ingang meerdere contacten van het type Normaal Gesloten (NC) zijn, dienen deze onderling SERIEEL te worden geschakeld.
- De ingangen van de contacten van het type Normaal Open (NO) dienen, indien niet gebruikt, vrij te worden gelaten
- Als er voor dezelfde ingang meerdere NO-contacten zijn, dienen deze onderling PARALLEL te worden geschakeld.
- De contacten moeten mechanische contacten zijn en geen enkel potentiaal hebben; aansluitingen in fasen zoals die welke "PNP", "NPN", "Open Collector" etc. genoemd worden, zijn niet toegelaten.

Voer de nodige aansluitingen uit volgens het schema van **afb. 4** en de daaropvolgende beschrijving van de aansluitingen.

Wij herinneren u er aan dat er precieze regelgeving is die nauwgezet opgevolgd dient te worden zowel voor wat betreft de veiligheid van elektrische installaties als voor wat betreft de automatische poorten!



3.4) Beschrijving van elektrische aansluitingen

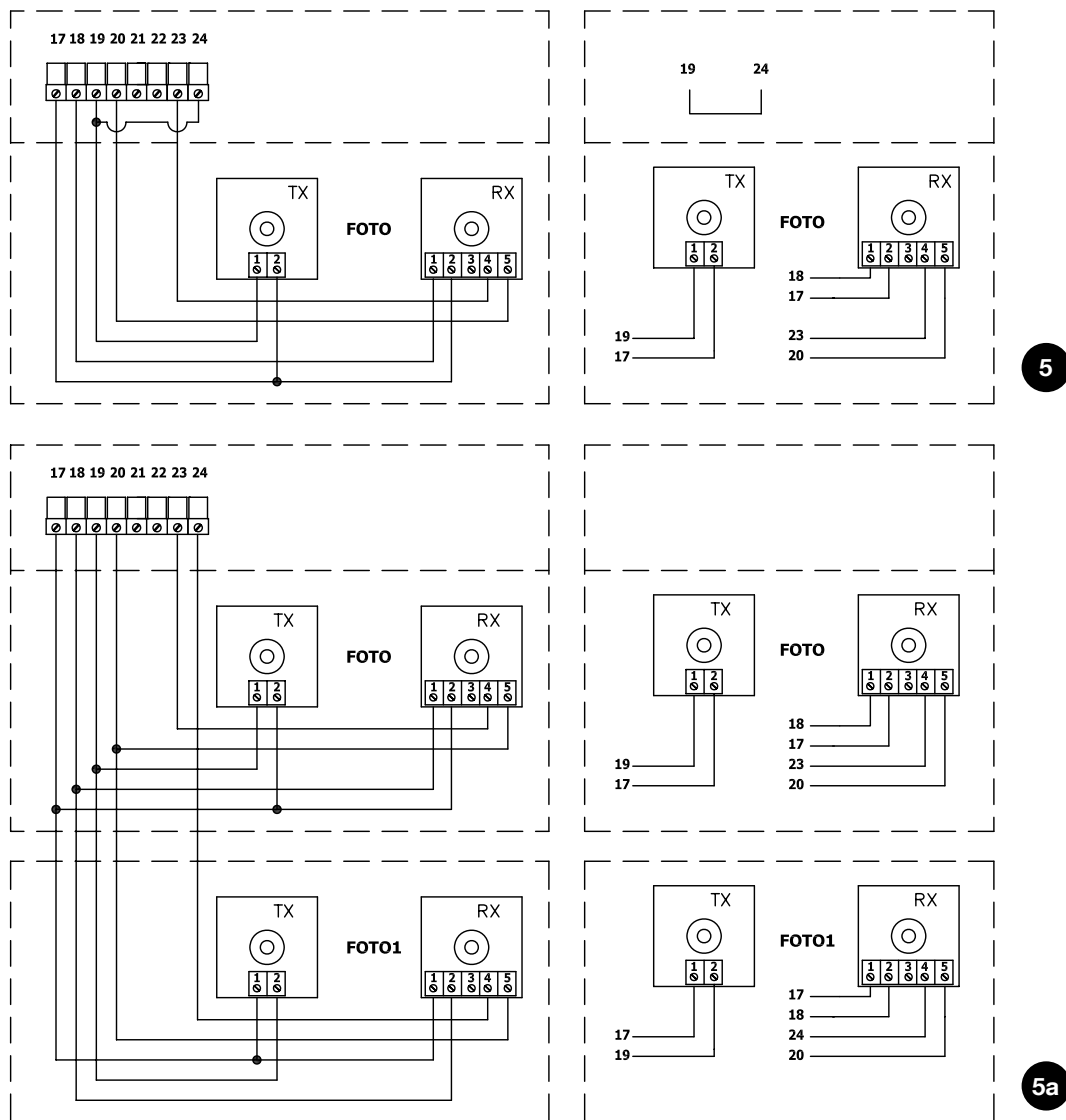
We geven hieronder een beknopte beschrijving van mogelijke externe aansluitingen van de besturingseenheid.

Klemmetjes	Functie	Beschrijving
1-2-3 :	Stroomvoorziening =	Lijn van stroomvoorziening van elektriciteitsnet
4-5 :	Knipperlicht =	Uitgang voor aansluiting van knipperlicht op netspanning (Max. 40W)
6--7 :	Gebruikerslicht =	Spanningvrije uitgang voor aansluiting gebruikerslicht (Max. 5A)
8-9-10 :	Motor1 =	Uitgang voor instructie motor 1
11-12-13 :	Motor2 =	Uitgang voor instructie motor 2
15-16 :	Elektrische slot =	Uitgang 12 Vcc voor activering elektrische slot, maximumvermogen 25W
17-18 :	24 Vac =	Stroomvoorziening neveninrichtingen 24 Vac (Max. 200 mA)
19 :	Fototest =	Uitgang fototest - Stroomvoorziening "TX" van de fotocellen - (Max . 75 mA)
20 :	Gemeenschappelijk =	Gemeenschappelijk voor alle ingangen
21 :	Lichtje C.A. =	Uitgang voor Lichtje Poort Open 24 Vac (Max. 2W)
22 :	Stop =	Ingang met functie "Stop" (Stop en korte terugloop)
23 :	Foto =	Ingang voor veiligheidsinrichtingen
24 :	Foto1 =	Ingang voor andere veiligheidsinrichting
25 :	Stap-voor-Stap (PP) =	Ingang voor cyclische manoeuvres ("Open" – "Stop" – "Sluit" – "Stop")
26 :	Open =	Ingang voor opening
27 :	Sluit =	Ingang voor sluiting
	Antenne =	Ingang voor antenne radio-ontvanger

3.5) Opmerkingen over de aansluitingen

Het merendeel van de aansluitingen is uitermate eenvoudig, voor een groot deel betreft het rechtstreekse aansluitingen op één enkel contact, andere daarentegen hebben een wat complexere aansluiting:

Alle éénfase-asynchroonmotoren hebben om correct te kunnen werken een condensator; bij sommige reductiemotoren is deze condensator reeds binnenin aangesloten, andere daarentegen vereisen een externe aansluiting van de condensator. In dat geval dient de condensator tussen de fasen OPEN en SLUIT van de motor aangesloten te worden. Om praktische redenen is het raadzaam de condensator rechtstreeks in de besturingseenheid in de daarvoor bestemde ruimte aan te brengen.



De "Fototest" vergroot de betrouwbaarheid van de veiligheidsinrichtingen; hierdoor is het mogelijk de "categorie 2" volgens de norm EN 954-1 (uitgave 12/1996/1998) te behalen voor wat betreft het geheel van besturingseenheid en veiligheidsfotocellen.

Telkens wanneer er een manoeuvre van start gaat, worden de desbetreffende veiligheidsinrichtingen gecontroleerd; alleen als alles in orde is, gaat de manoeuvre ook daadwerkelijk van start. Als de test daarentegen geen gunstig resultaat heeft (fotocel door de zon verblind, kabels in kortsluiting etc.), wordt de storing geconstateerd en wordt de manoeuvre niet uitgevoerd.

Dit alles is mogelijk:

- door de dipschakelaar 10 op ON te zetten
- door de veiligheidsinrichtingen aan te sluiten zoals op **afb.5** te zien is als uitsluitende de uitgang FOTO wordt gebruikt, of zoals op **afb.5a** te zien is als ook FOTO1 wordt gebruikt.

Bij deze aansluiting worden de zenders van de fotocellen niet rechtstreeks via de uitgang van de neveninrichtingen van stroom voorzien, maar via de specifieke uitgang FOTOTEST. De maximaal bruikbare stroom op de uitgang FOTOTEST bedraagt 75mA (3 stel fotocellen).

- De ontvangers worden rechtstreeks via de uitgang neveninrichtingen van de besturingseenheid (klemmetjes 17-18) van stroom voorzien.

De test van de fotocellen vindt als volgt plaats: wanneer er een instructie voor een manoeuvre binnenkomt, wordt er in de eerste plaats gecontroleerd of alle ontvangers die bij de manoeuvre betrokken zijn, hun toestemming geven; daarna wordt de stroomvoorziening naar de zenders onderbroken en vervolgens geverifieerd dat alle ontvangers dit feit signaleren door hun toestemming in te trekken; daarna worden de zenders weer van stroom voorzien en vervolgens zal er opnieuw worden nagegaan of er toestemming van alle ontvangers is. Pas als deze reeks tot een goed einde is gekomen, zal de manoeuvre van start gaan. Het verdient aanbeveling bovendien het synchronisme te activeren; u doet dit door de daarvoor bestemde bruggetjes op de zenders te onderbreken; dit is de enige methode om te garanderen dat er tussen de twee stellen fotocellen onderling geen interferentie optreedt. Verifieer in de handleiding voor de fotocellen de aanwijzingen voor de "GESYNCHRONISEERDE" werking.

Indien een ingang voor FOTOTEST niet wordt gebruikt (voorbeeld FOTO1) en u toch de functie fototest wilt, dient er een brug te worden aangebracht tussen de ongebruikte ingang en de uitgang FOTOTEST (klemmetjes 19-24) zie **afb. 5a**. Als u later de functie Fototest niet meer wilt gebruiken, hoeft u alleen maar de dipschakelaar 10 naar omlaag te halen.

3.6) Controle van de aansluitingen

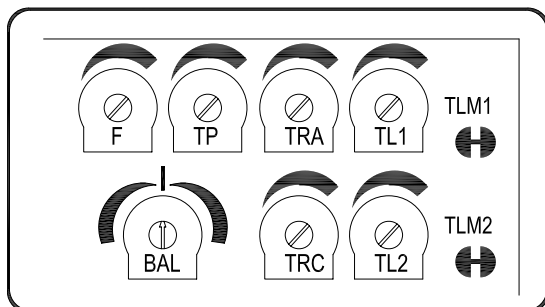
⚠ Bij onderstaande handelingen werkt u rechtstreeks op onder spanning staande circuits; het merendeel hiervan heeft een veiligheidslaagspanning en vormt dus geen gevaar, maar sommige delen hebben dezelfde spanning als die van het elektriciteitsnet en zijn dus UITERST GEVAARLIJK! Let heel goed op wat u doet en WERK NOOIT ALLEEN!

- Voorzie de besturingseenheid van stroom en controleer onmiddellijk of er tussen de klemmetjes 17- 18 ongeveer 24 Vac is.
- Controleer of de led "OK" nadat hij eventjes snel heeft geknipperd, met een regelmatig ritme knippert.
- Controleer nu of de leds met betrekking tot ingangen met NC-contacten aan zijn (alle veiligheidsinrichtingen actief) en of de leds met betrekking tot ingangen met NO-contacten uit staat (er is geen enkele instructie aanwezig); indien dit niet het geval is, dient u te controleren of de verschillende inrichtingen goed zijn aangesloten en goed werken. Als de ingang STOP in werking treedt, gaan zowel FCA als FCC uit.
- Ontgrendel de vleugels, zet ze halverwege en zet ze daarna vast; op deze manier kunnen de vleugels zowel in de openings- als sluitrichting lopen.
- Nu dient u te controleren of de vleugels in de juiste richting bewegen, dat wil zeggen dient u te controleren of de door de besturingseenheid voorziene manoeuvre overeenkomt met de door de vleugels daadwerkelijk uitgevoerde manoeuvre. Deze controle is van fundamenteel belang, want als de richting niet de juiste is, zou de automatisering in sommige gevallen (bijvoorbeeld in de semi-automatische modus) in schijn goed kunnen werken, maar in werkelijkheid niet. De cyclus OPEN lijkt op de cyclus SLUIT met het wezenlijke verschil echter dat de veiligheidsinrichtingen niet in aanmerking worden genomen bij de sluitmanoeuvre die normaal gesproken de gevaarlijkste is, terwijl ze bij opening in werking zullen treden en zo de vleugels opnieuw zullen laten sluiten, juist tegen het obstakel aan met rampzalige gevolgen!
- Om te controleren of de draairichting in orde is, heeft u alleen maar een korte impuls op de ingang Open te geven en na te gaan of de automatisering in de openingsrichting gaat; indien de manoeuvre de verkeerde kant is opgedraaid, dient u als volgt te werk te gaan:
 - Onderbreek de stroomtoevoer
 - Draai de stroomdraden van de verkeerde motor(en) om. (Draai in geval van M1 de aansluiting van de klemmetjes 8 –10 om en in geval van M2 de aansluiting van de klemmetjes 11 – 13).
 - Nadat u dit hebt gedaan, is het raadzaam opnieuw te controleren of de draairichting nu wel correct is en het laatste punt opnieuw uit te voeren.

De led "OK" in het midden van de kaart bij de microprocessor heeft tot taak de status van de interne logica te signaleren: wanneer de led met een regelmatig ritme van 1 seconde knippert, wil dat zeggen dat de interne microprocessor actief is en op instructies wacht. Wanneer die microprocessor daarentegen een wijziging in de status van een ingang (zowel een instructie-ingang als dipschakelaar van de functies) constateert, gaat de led 2 maal snel knipperen, ook al heeft deze wijziging geen enkel onmiddellijk gevolg. Wanneer de led 3 seconden heel snel knippert, geeft dit aan dat de besturingseenheid net onder spanning is gezet en een test van de interne delen uitvoert; wanneer tenslotte de led niet constant knippert, wil dat zeggen dat de test niet tot een goed einde is gekomen en dat er dus een defect is.

4) Afstellingen

Deze afstellingen kunnen plaatsvinden via trimmers die de hieronder volgende parameters wijzigen:



• WERKINGSDUUR (TL1 TL2):

Hiermee wordt de maximumduur van de openings- of sluitmanoeuvre van de motor 1 (TL1) en van de motor 2 (TL2) afgesteld.

Het afstellen van de trimmers (TL1 TL2) gaat in met de eerste openingsmanoeuvre van de dichte poort (werkingsduur van de 2 vleugels ten einde), stel de trimmers dus altijd af terwijl de poort dicht is. Als er reductiemotoren worden gebruikt met een elektrische eindschakelaar of mechanische stops is het raadzaam de eindschakelaars of de stops voor de grootste mogelijke gewenste openings- of sluitstand van de vleugels af te stellen. Voor het afstellen van de werkingsduur TL dient u de werkingsmodus "Semi-automatisch" te selecteren waarvoor u de dipschakelaar 1 op ON zet en de trimmers TL halverwege af te stellen. Bij deze afstellingen verricht u een openings- en een sluitcyclus en stelt u de trimmers TL eventueel zo af dat de tijd voldoende is om de gehele manoeuvre uit te voeren en er nog een marge van 2 of 3 seconden voor het stoppen als gevolg van de elektrische eindschakelaars (op motoren met eindschakelaars) of van de mechanische stops overblijft.

Om te controleren wanneer de werkingsduur van de twee motoren ten einde is, controleert u of de leds voor signalering motoren op de besturingseenheid uit staan (het moment waarop de led uitgaat komt overeen met het einde van de werkingsduur van de motor in kwestie).

Voor het geval, dat de tijdsduur toch niet voldoende is om de volledige manoeuvre uit te voeren, ook al zet u de trimmer TL op het maximum, kunt u het bruggetje TLM1 verbreken en zo een langere werkingsduur van motor1 en het bruggetje TLM2 voor een langere werkingsduur van motor2.

Deze bruggetjes bevinden zich aan de zijkant van de daarbij behorende trimmer.

Indien de functie VERTRAGING (dipschakelaar 8 On) wordt gebruikt, zal het nodig zijn de trimmers voor de werkingsduur zo af te stellen dat de motoren op ongeveer 50 – 70 cm snelheid beginnen te minderen voor zij op de mechanische stops in openings- of sluitstand komen.

• VERTRAGINGSDUUR BIJ OPENING (TRA) EN BIJ SLUITING (TRC):

Als de poort uit 2 vleugels bestaat die op elkaar kunnen vastlopen als ze tegelijkertijd in beweging komen of als bij sluiting de een op de ander komt, dient u dit probleem op te heffen door de trimmers Vertragsduur Opening (TRA) of Vertragsduur Sluiting (TRC) af te stellen.

Dus wordt (TRA) zo afgesteld dat de door de 2de motor aangedreven vleugel al buiten de bewegingszone van de andere vleugel is wanneer de door de 1ste motor aangedreven vleugel van start gaat. De trimmer (TRC) moet zo worden afgesteld dat bij sluiting de vleugel van de 2de motor pas het sluitpunt bereikt wanneer de 1ste motor de sluitmanoeuvre reeds heeft beëindigd.

• PAUZEDUUR (TP):

Bij de "automatische" werking stelt u hier de tijdsduur af tussen het einde van de openingsmanoeuvre en het begin van de sluitmanoeuvre.

• KRACHT (F):

Speciale aandacht dient u aan de afstelling van de trimmer KRACHT (F) te schenken; deze afstelling kan van invloed zijn op de graad van veiligheid van de automatisering. Voor het afstellen hiervan dient u proefondervindelijk te werk te gaan door meerdere malen achter elkaar de door de vleugel toegepaste kracht te meten en deze te vergelijken met wat de voorschriften

• BALANCERING manoeuvretijden (BAL):

De trimmer voor BALANCERING in deze besturingseenheid biedt de mogelijkheid van een verschillende bedrijfstijd van de openings- en sluitmanoeuvre van de vleugels. Dit is nuttig wanneer de motor in de twee richtingen een andere snelheid heeft zoals dat bijvoorbeeld bij hydraulische motoren het geval is, of wanneer de poortvleugels niet gebalanceerd zijn bij opening of sluiting wat verschillende belasting ten gevolge heeft en dus een verschillende tijd vereist is om dezelfde afstand te overbruggen.

Als de poort dus niet gebalanceerd is in de sluiting kan de openingsmanoeuvre vòòr de mechanische stops eindigen; in dit geval dient u dan de trimmer BAL met de wijzers van de klok (AP) mee te draaien waardoor de bedrijfstijd tijdens de opening toeneemt, tot wanneer de vertraging begint op het daarvoor vastgestelde punt (50 cm voor de mechanische stops) en de manoeuvre nog eens 3 - 5 seconden duurt nadat de vleugels op de mechanische stops zijn aangekomen. Als de poort daarentegen niet gebalanceerd is in de opening, dan zult u hem moeten balanceren door de trimmer BAL tegen de wijzers van de klok in (CH) te draaien waarmee u meer tijd geeft aan de sluitmanoeuvre.

Als de trimmer precies in het midden staat zullen de openings- en sluitmanoeuvre dezelfde bedrijfstijd hebben.

4.1) Werkingsmodi

Bij handbediende werking zorgt de ingang OPEN voor de openingsmanoeuvre, de ingang SLUIT voor de sluitmanoeuvre. De STAP-VOOR-STAP zorgt beurtelings voor de openings- en sluitmanoeuvre. Zodra de instructie op de ingang komt te vervallen, wordt de manoeuvre onderbroken. Bij opening en sluiting stopt de manoeuvre wanneer de instructie-ingang of de toestemming van de veiligheidsinrichtingen komt te vervallen. Zowel bij opening als bij sluiting zal een handeling op STOP altijd ten gevolge hebben dat de beweging onmiddellijk wordt onderbroken. Wanneer de beweging gestopt is, is het noodzakelijk de instructie op de ingang te beëindigen voordat een nieuwe instructie een nieuwe manoeuvre van start kan doen gaan. Bij werking in één van de automatische modi (semi-automatisch, automatisch of automatisch + Sluit altijd) heeft een instructie-impuls op de ingang OPEN een openingsmanoeuvre ten gevolge. Een impuls op STAP-VOOR-STAP heeft beurteling opening of sluiting ten gevolge. Een tweede impuls op Stap-voor-Stap op of dezelfde ingang die de manoeuvre in gang heeft gezet, heeft een Stop ten gevolge.

Zowel bij opening als bij sluiting heeft een handeling op STOP een onmiddellijke onderbreking van de beweging met korte terugloop ten gevolge.

Als er op een instructie-ingang in plaats van een impuls een voortdurend signaal wordt afgegeven heeft dit een "voorkeurs" status ten gevolge waarbij de andere instructie-ingangen uitgeschakeld blijven (**nuttig voor het aansluiten van een timer of een Dag-Nacht keuzeschakelaar**).

Indien de automatische werking is geselecteerd, vindt er na een openingsmanoeuvre een pauze plaats en na deze pauze volgt de sluitmanoeuvre. Als tijdens de pauze FOTO in werking is getreden, zal de timer met een nieuwe pauzeduur worden teruggesteld; als er tijdens de pauze een handeling op STOP wordt verricht wordt de functie van hersluiting gewist en gaat men over tot de staat van STOP.

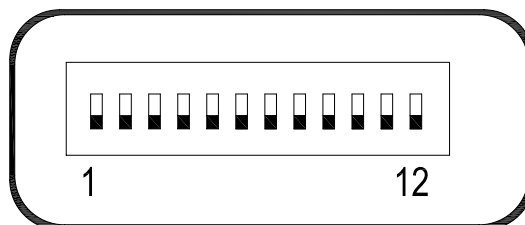
Bij opening heeft inwerkingtreding van FOTO geen enkel effect, terwijl bij sluiting inwerkingtreding van FOTO een terugloop, een pauze en vervolgens een hersluiting ten gevolge heeft.

5) Programmering

De besturingseenheid beschikt over een reeks microschakelaars waarmee u de verschillende functies kunt activeren teneinde de installatie zo goed mogelijk op de eisen van de gebruiker af te stemmen en deze bij de verschillende gebruikswijzen zo veilig mogelijk te maken. Alle functies worden geactiveerd door de desbetreffende dipschakelaar op de stand "On" te zetten, terwijl ze niet ingeschakeld zijn, wanneer de desbetreffende dipschakelaar op "Off" staat; sommige functies hebben geen onmiddellijke doelmatigheid en hebben alleen onder bepaalde omstandigheden zin.

⚠ LET OP! sommige programmeerbare functies hebben gevolgen voor de veiligheidsaspecten; beoordeel zorgvuldig de gevolgen van een bepaalde functie en controleer welke functie de grootst mogelijke veiligheid biedt.

Bij het onderhoud van een installatie dient u, voordat u een programmeerbare functie gaat wijzigen, eerst te beoordelen waarom



er tijdens de installeringsfase bepaalde keuzes zijn gemaakt, en vervolgens na te gaan of de veiligheid bij een nieuwe programmering afneemt.

5.1) Programmeerbare functies

Met de dipschakelaar FUNCTIES kunt u de verschillende werkingsmodi selecteren en de door u gewenste functies volgens onderstaande tabel invoeren:

Schakelaar 1-2	Off-Off	= Manoeuvre "Handbediening" d.w.z. er is iemand aanwezig
	On -Off	= "Semi-Automatische Manoeuvre"
	Off-On	= "Automatische Manoeuvre" d.w.z. Automatische Sluiting
	On-On	= "Automatische Manoeuvre + Sluit altijd"
Schakelaar 3	On	= Werking Woonblok < Niet beschikbaar bij handbediende modus >
Schakelaar 4	On	= Voorwaarschuwing
Schakelaar 5	On	= Terugloop 5" na Foto < bij automatische modus > of Sluit na Foto < bij semi-automatische modus
Schakelaar 6	On	= Veiligheid "Foto1" ook bij opening
Schakelaar 7	On	= Drukstoot
Schakelaar 8	On	= Vertraging
Schakelaar 9	On	= Handhaving druk
Schakelaar 10	On	= Fototest
Schakelaar 11	On	= Impulsmodus Gebruikerslicht
Schakelaar 12	On	= Sluit wordt Open Voetgangersopening

N.B.: Sommige functies zijn alleen in bepaalde situaties voorhanden; zij worden aangegeven met de opmerkingen tussen de tekens "<...>".

5.2) Beschrijving van de functies

Hieronder geven wij een beknopte beschrijving van de functies die ingeschakeld kunnen worden door de desbetreffende dipschakelaar op "On" te zetten

- Schakelaar 1-2:** Off-Of = "Handbediende" manoeuvre
(er is iemand aanwezig)
On-Off = "Semi-automatische Manoeuvre"
Off On = "Automatische Manoeuvre"
(Automatisch sluiting)
On On = "Automatische Manoeuvre +
Sluit altijd"

Bij de "Handbediende" modus wordt de manoeuvre alleen uitgevoerd zolang de instructie aanwezig is (toets ingedrukt).

Bij "Semi-automatisch" is een instructie-impuls voldoende en wordt de gehele manoeuvre uitgevoerd totdat de Werkingsduur verlopen is of de eindschakelaar bereikt is. Bij "Automatische" werking is er na een openingsmanoeuvre een pauze waarna de sluiting automatisch uitgevoerd wordt. De functie "Sluit altijd" treedt in werking na een storing in de stroomvoorziening, waarbij automatisch een sluitingsmanoeuvre uitgevoerd wordt na een voorwaarschuiving van 5 seconden, indien de poort open gevonden wordt.

Schakelaar 3: On = Werking Woonblok (niet beschikbaar bij werksmodus Handbediening)

Bij de functie Woningblok kan de manoeuvre, zodra de openingsmanoeuvre van start gegaan is, niet door andere bedieningsimpulsen op STAP-VOOR-STAP of OPEN onderbroken worden zolang de openingsmanoeuvre nog niet beëindigd is. Tijdens een sluitingsmanoeuvre zal een nieuwe bedieningsimpuls de poort laten stoppen en zal de poort weer open gaan.

Schakelaar 4: On = Voorwaarschuiving

Bij het ontvangen van een bedieningsimpuls wordt eerst het waarschuwingslicht geactiveerd en gaat vervolgens na 5 seconden (2 sec. bij handbediening) de manoeuvre van start.

Schakelaar 5: On = Terugloop 5" na Foto (bij de automatische modus) of Sluit na Foto (bij semi-automatische modus)

Met behulp van deze functie kunt u, indien in Automatische modus, de poort zolang openhouden als nodig is om te passeren, omdat er nadat FOTO in werking is gekomen, de manoeuvre wordt beëindigd. Na 5 seconden zal er automatisch een sluitmanoeuvre plaatsvinden: Bij semi-automatische modus zal inwerkingtreding van FOTO in de sluitmanoeuvre de een automatische sluiting tengevolge hebben met de afgestelde pauzeduur

Schakelaar 6: On = Veiligheidsinrichting (Foto 1) ook bij opening
Normaal gesproken is de veiligheidsinrichting "Foto 1" alleen tijdens de sluitingsmanoeuvre geactiveerd; als de schakelaar 6 op "On" wordt gezet, zal de veiligheidsinrichting ook bij opening de manoeuvre onderbreken.

Bij de Semi-automatische of Automatische modus zal de manoeuvre, zodra de veiligheidsinrichting vrijkomt, weer hervat worden.

Schakelaar 7: On = Drukstoot

Wanneer er omkeerbare aandrijvingen gebruikt worden, en de poort door de duwkracht van de motoren dus niet in gesloten stand blijft staan, wordt het absoluut noodzakelijk een elektroslot te installeren (zie de aanwijzingen van de aandrijvingen voor de manieren van gebruik).

Op het elektrische slot zou zo die natuurlijke duwkracht uitgeoefend kunnen worden welke ertoe neigt de vleugels enigszins geopend te houden; soms is deze duwkracht zo groot dat het springmechanisme van het elektrische slot geblokkeerd raakt. Wanneer de functie Drukstoot geactiveerd is, wordt er voordat een openingsmanoeuvre van start gaat, een korte sluitcyclus geactiveerd, die tot geen enkele

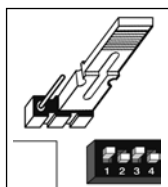
beweging zal leiden, daar de vleugels zich al op de mechanische sluitaanslag bevinden.

Op deze manier is er geen enkele kracht op het elektroslot aanwezig, wanneer dat geactiveerd wordt, en kan dat dus opengaan.

Schakelaar 8: On = Vertraging

Deze vertraging bestaat uit een vermindering van de snelheid tot op 30% van de nominale snelheid en dient ertoe de stootkracht in het openings- en sluitgebied van de poort te verminderen.

De vertragingfunctie verlaagt niet alleen de snelheid van de automatisering maar vermindert ook het koppel van de motoren met 70%. Bij automatiseringen die een hoog koppel vereisen, zou deze vermindering van het koppel tot gevolg kunnen hebben dat de motoren stoppen. Hierom kan deze functie niet worden geactiveerd op zware poorten of poorten met hoge wrijving. Wanneer de vertragingfunctie is geactiveerd zal het nodig zijn de trimmer Bedrijfstijd (TL) bij te stellen daar het begin van de vertraging verbonden is aan de ingestelde Bedrijfstijd. Stel de Bedrijfstijd dan zo af dat de vertraging 50 cm vòòr de mechanische stops begint zodat de manoeuvre na de mechanische stop nog 3-5 seconden voortduurt. Op de besturingseenheid bevindt zich een bruggetje (M-RAL) waarmee het mogelijk is te kiezen uit twee soorten VERTRAGING, één met een koppelvermindering van 70% en een andere met een koppelvermindering van 60% die kan worden gebruikt op poorten met een hoger gewicht.



Vermindering met 70% van het koppel



Vermindering met 60% van het koppel

Let op: bij de vertraging neemt het door de motoren afgegeven geluid enigszins toe. Voordat u de vertragingen gaat afstellen gelieve u paragraaf "4 Afstellingen" goed door te lezen, vooral met betrekking tot de werking van de balancertrimmer (BAL).

Schakelaar 9: On = Handhaving druk

Bij hydraulische aandrijvingen wordt de kracht om de poort gesloten te houden in een hydraulisch circuit ontwikkeld dat altijd onder druk blijft. Wanneer tijd en slijtage de afdichting van dat hydraulische circuit minder efficiënt hebben gemaakt, kan het voorkomen dat na enkele uren de druk binnenin zakt met het daaruit volgend risico dat de vleugels van de poort enigszins open blijven staan. Als de functie "Handhaving van de Druk" geactiveerd is, wordt er elke 4 uur dat de poort dicht is, een korte sluitmanoeuvre geactiveerd, enkel en alleen met het doel de druk in het hydraulische circuit weer te stabiliseren.

Schakelaar 10: On = Fototest

Hiermee kunt u voor het begin van een manoeuvre een testfase van de fotocellen laten uitvoeren. Zie het hoofdstuk FOTOTEST.

Schakelaar 11: On = Impuls Gebruikerslicht

Hier zal aan het begin van elke openings-of sluitmanoeuvre het spanningsvrije contact van de uitgang Gebruikerslicht 1sec. dicht blijven zodat het mogelijk is een impuls aan een eventuele externe timer te geven.

Schakelaar 12: On = SLUIT wordt OPEN Voetgangersdoorgang

Bij deze modus verliest de ingang SLUIT haar oorspronkelijke functie en wordt een ingang Stap-voor-Stap Voetgangersdoorgang waarmee het mogelijk is alleen de met de 2de motor verbonden vleugel te openen, terwijl de andere vleugel dicht blijft, zodat een voetganger de poort kan passeren.

Er dient op gewezen te worden dat de cyclus voetgangersdoorgang alleen geactiveerd wordt, als de poort dicht is; als de poort daarentegen open gaat of open staat, heeft de impuls van deze ingang geen enkel gevolg.

6) Eindtest

Na afloop van de controles en afstellingen kunt u tot de eindtest van de installatie overgaan.

⚠ De eindtest van de automatisering dient altijd door daartoe bevoegd en ervaren personeel uitgevoerd te worden dat ook bepalen moet welke tests in functie van de bestaande risico's noodzakelijk zijn.

De eindtest is verreweg het belangrijkste onderdeel van de aanleg van een automatisering. Elk afzonderlijk onderdeel, bijvoorbeeld motor, noodstop, fotocellen e.d. kan een specifieke eindtestfase vragen; het is daarom raadzaam de procedures uit de desbetreffende handleiding zorgvuldig uit te voeren.

Voor de eindtest van de besturingseenheid dient u onderstaande handelingen te verrichten:

1. Selectie functies:
 - Zet de dipschakelaar 1 op ON (Semi-automatische werking) en de andere op OFF
2. Druk op de toets Open en verifieer dat:
 - het knipperlicht in werking treedt
 - er een openingsmanoeuvre van start gaat
 - de manoeuvre bij het bereiken van de mechanische stop in openingsstand stopt .
3. Druk op de toets Sluit en verifieer dat:
 - het knipperlicht in werking treedt
 - er een sluitmanoeuvre van start gaat
 - de manoeuvre bij het bereiken van de mechanische stop in sluitstand stopt .
4. Laat een openingsmanoeuvre van start gaan en controleer dat tijdens de manoeuvre inwerkingtreding van een inrichting:
 - Gekoppeld aan de ingang Stop, een onmiddellijke onderbreking van de manoeuvre met een korte terugloop ten gevolge heeft
 - Gekoppeld aan de ingang Foto, geen enkel gevolg heeft

5. Laat een sluitmanoeuvre van start gaan en controleer dat tijdens de manoeuvre inwerkingtreding van een inrichting:
 - Gekoppeld aan de ingang Stop, een onmiddellijke onderbreking van de manoeuvre met een korte terugloop ten gevolge heeft
 - Gekoppeld aan de ingang Foto, onderbreking en terugloop van de manoeuvre ten gevolge heeft
 - Gekoppeld aan de ingang Foto1, onderbreking en terugloop van de manoeuvre ten gevolge heeft
6. Verifieer op de aangesloten ingangen dat activering van de ingang een stap ten gevolge heeft in de reeks:
 - Ingang Stap-voor-Stap: Reeks = Open – Stop – Sluit – Stop
 - Ingang Open: Reeks = Open – Stop – Open – Stop
 - Ingang Sluit: Reeks = Sluit – Stop – Sluit – Stop
7. Als de functie fototest wordt gebruikt, dient u na te gaan of de test goed werkt:
 - Onderbreek de fotocel Foto, laat vervolgens een manoeuvre van start gaan en controleer dat die niet wordt uitgevoerd
 - Onderbreek de fotocel Foto1, laat vervolgens een manoeuvre van start gaan en controleer dat die niet wordt uitgevoerd
 - Breng het contact van fotocel Foto in kortsluiting, laat vervolgens een manoeuvre van start gaan en controleer dat die niet wordt uitgevoerd
 - Breng het contact van fotocel Foto1 in kortsluiting, laat vervolgens een manoeuvre van start gaan en controleer dat die niet wordt uitgevoerd
8. Verricht de tests voor het vaststellen van de Stootkrachten zoals voorzien in de norm EN 12445

Als er na afloop van de eindtest verdere functies worden geactiveerd die de veiligheid van de installatie nadelig kunnen beïnvloeden, dient u een specifieke eindtest voor die functies uit te voeren.

6.1) Inbedrijfstelling

Inbedrijfstelling kan alleen plaatsvinden nadat alle fasen van de eindtest van de besturingseenheid en de andere aanwezige inrichtingen met succes zijn afgesloten. Gedeeltelijke inbedrijfstelling of inbedrijfstelling in "tijdelijke" situaties is niet toegestaan.

1. Maak een technisch dossier van de automatisering en bewaar dat tenminste 10 jaar, dat tenminste bestaat uit: de overzichtstekening van de automatisering, het elektrische bedradings-schema, een analyse van de risico's en de toegepaste oplossing daarvoor, de conformiteitsverklaringen van alle fabrikanten voor alle gebruikte inrichtingen (gebruik voor A60 de bijgevoegde EG-Verklaring van overeenstemming); kopie van de gebruiksaanwijzingen en het onderhoudsplan van de automatisering.
2. Breng op de poort een plaatje aan met daarop tenminste de volgende gegevens: type automatisering, naam en adres van de fabricant (verantwoordelijk voor de "inbedrijfstelling"), serienummer, bouwjaar en "CE"-keurmerk.
3. Breng in de nabijheid van de poort een niet te verwijderen etiket of plaatje aan waarop de handelingen zijn aangegeven voor het ontgrendelen en handmatig bewegen van de deur
4. Stel de verklaring van overeenstemming voor de automatisering op en geef ze aan de eigenaar van de automatisering.

5. Maak de handleiding "Aanwijzingen en aanbevelingen voor het gebruik van de automatisering" en geef die aan de eigenaar van de automatisering.
6. Stel een onderhoudsplan (met daarin de voorschriften voor het onderhoud van alle inrichtingen van de automatisering) op en geef dit aan de eigenaar van de automatisering.
7. Informeer vóór de inbedrijfstelling van de automatisering de eigenaar uitvoerig en schriftelijk (bijvoorbeeld in de handleiding met aanwijzingen en aanbevelingen voor het gebruik van de automatisering) over de nog aanwezige gevaren en risico's.

7) Onderhoud en afvalverwerking

⚠ In dit hoofdstuk vindt u de benodigde informatie voor uitvoering van het onderhoudsplan en de afvalverwerking van A60.

7.1) Onderhoud

Om de veiligheid op een constant niveau te houden en een zo lang mogelijke levensduur van de gehele automatisering te waarborgen is regelmatig onderhoud vereist.

Het onderhoud moet uitgevoerd worden met volledige inachtneming van de veiligheidsvoorschriften van deze handleiding en volgens de van kracht zijnde wettelijke voorschriften en regelgeving.

Volg voor de inrichtingen die niet tot **A60** behoren de aanwijzingen van het desbetreffende onderhoudsplan daarvoor op.

1. Er is een geprogrammeerde onderhoudsbeurt vereist die op zijn minst binnen 6 maanden of 10.000 manoeuvres na de vorige

onderhoudsbeurt uitgevoerd moet worden.

2. Koppel alle bronnen van elektrische stroomvoorziening los.
3. Controleer alle materialen waaruit de automatisering bestaat op kwaliteitsvermindering en let daarbij vooral op aantasting of roestvorming van de structurele delen; vervang die delen welke onvoldoende garantie bieden.
4. Controleer de staat van slijtage van alle bewegende delen: telescooparmen, kabels van de tegengewichten en alle delen van de vleugel; vervang de versleten onderdelen. Sluit de elektrische stroomvoorziening weer aan en voer alle test en controles uit zoals die in paragraaf "6 Eindtest" voorzien zijn.

7.2) Afvalverwerking

Wanneer de levensduur van dit product ten einde is, dienen de ontmantelingswerkzaamheden, zoals dit ook bij de installatiewerkzaamheden het geval is, door gekwalificeerd personeel uitgevoerd te worden. Dit product bestaat uit verschillende soorten materialen, waarvan sommige gerecycleerd kunnen worden. Win inlichtingen over de methoden van hergebruik of afvalverwerking in en houd u aan de plaatselijk van kracht zijnde voorschriften.

⚠ Sommige delen van het product kunnen vervuilde of gevaarlijke stoffen bevatten; als die in het milieu terecht zouden komen, zouden ze schadelijke gevolgen voor het milieu en de menselijke gezondheid kunnen veroorzaken.

Zoals u kunt zien aan het symbool op afbeelding is het verboden dit product met het gewone huisvuil weg te gooien. Scheid uw afval voor verwerking op een manier zoals die in de plaatselijke regelgeving voorzien is; of lever het product bij uw leverancier in wanneer u een nieuw gelijksoortig product koopt.



De plaatselijke regelgeving kan in zware straffen voorzien in geval van illegale dumping van dit product.

8) Accessoires

RADIOKAART

In de besturingseenheid bevindt zich een insteekcontact voor het insteken van een stekker voor het insteken van een radiokaart met een SM-contact, waardoor het mogelijk is de ingangen van de besturingseenheid op afstand via een zender aan te sturen.

- uitgang 1 P.P.
- uitgang 2 Open Voetgangersopening
- uitgang 3 Open
- uitgang 4 Sluit

9) Technische gegevens

Teneinde haar producten steeds meer te vervolmaken behoudt NICE S.p.a. zich het recht voor op elk gewenst moment en zonder voorbericht wijzigingen in haar producten aan te brengen, waarbij functionaliteit en gebruiksbestemming echter gehandhaafd blijven. Alle technische gegevens hebben betrekking op een omgevingstemperatuur van 20°C (±5°C).

Model:	A60	A60/V1
Stroomvoorziening	230 Vac ± 10%, 50 - 60 Hz	120 Vac ± 10%, 50 - 60 Hz
Maximumvermogen aandrijvingen	300 W [1,3 A]	300 W [2,5 A]
Maximumvermogen knipperlicht		100W
Max. aantal cycli per uur		onbeperkt
Max. aantal opeenvolgende cycli		onbeperkt
Max.stroom neveninrichtingen (24 Vac)		200 mA
Maximale stroom uitgang fototest (24 Vac)		75 mA
Maximumvermogen lampje SCA (24Vac)		2 W
Maximumvermogen elektrisch slot (12 Vac)		15 VA
Bedrijfstijd	van 2,5 tot 40 sec. (van 40 tot 80 sec. met TLM)	
Pausetijd	van 5 tot 80 sec.	
Duur van vertraging opening TRA	0 of van 2.5 tot 12 sec.	
Duur van vertraging sluiting TRC	0 of van 2.5 tot 12 sec.	
Duur van balancering BAL	van 0 tot 8 sec.	
Afstelling van de kracht	van 0 tot 100 %	
Bedrijfstemperatuur	-20 ÷ 50 °C	
Afmetingen	280 x 220 x 110 mm	
Gewicht	1,9 kg	
Beschermingsklasse	IP 55 (box intact)	

Aanwijzingen en aanbevelingen bestemd voor de gebruiker van A60

• **Voordat u de automatisering voor de eerste maal gaat gebruiken**, is het raadzaam u door de installateur te laten uitlegen waar de restrisico's ontstaan, en enkele minuten van uw tijd te besteden aan het lezen van deze handleiding met **aanwijzingen en aanbevelingen voor de gebruiker** die de installateur u overhandigd heeft. Bewaar deze handleiding voor eventuele toekomstige twijfels en geef haar aan een eventuele nieuwe eigenaar van de automatisering.

• **Uw automatisering is een machine die getrouwelijk uw instructies opvolgt**; onverantwoordelijk en oneigenlijk gebruik kan maken dat het een gevaarlijke machine wordt: laat de automatisering niet werken als er zich mensen, dieren of zaken binnen haar bereik bevinden.

• **Kinderen**: een automatiseringsinstallatie biedt een hoge graad van veiligheid, doordat ze met haar beveiligingssystemen de manoeuvre bij aanwezigheid van mensen of zaken onderbreekt en altijd een voorspelbare en veilige activering garandeert. Het is in ieder geval verstandig kinderen te verbieden in de buurt van de installatie te spelen en de afstandsbedieningen buiten hun bereik te houden om te voorkomen dat de installatie per ongeluk in werking komt: **het is geen speelgoed!**

• **De fotocellen zijn geen veiligheidsinrichting** maar vormen slechts een hulpinrichting voor de veiligheid. Zij zijn vervaardigd op basis van de meest betrouwbare technologie, maar kunnen onder extreme omstandigheden storingen vertonen of zelfs defect raken en het zou zelfs kunnen voorkomen dat het defect niet onmiddellijk zichtbaar is.

Daarom, en als goed gebruik:

- is doorgang alleen toegestaan als de poort of de deur **helemaal open staat en de vleugels tot stilstand zijn gekomen**.
- IS HET TEN STRENGSTE VERBODEN door de poort of deur te gaan terwijl de poort of deur dicht gaat!

Controleer geregeld of de fotocellen correct werken en laat tenminste elk half jaar de voorziene onderhoudscontroles verrichten.

• **Storingen**: Zodra u constateert dat de automatiseringsinstallatie niet werkt zoals ze dat zou moeten doen, dient u de stroomtoevoer naar de installatie te onderbreken en haar handmatig te ontgrenzen. Probeer niet zelf te repareren, maar roep de hulp van uw vertrouwensinstallateur in: intussen kan de installatie werken als een niet geautomatiseerde toegang.

• **Onderhoud**: Zoals elke machine heeft uw installatie periodiek onderhoud nodig om haar zo lang mogelijk en geheel veilig te laten werken. Stel met uw installateur een onderhoudsplan met periodieke frequentie op; Nice raadt bij normaal gebruik bij een woning een onderhoudsbezoek om het half jaar aan, maar dit tijdsbestek kan variëren in functie van een meer of minder intensief gebruik. Alle controle-, onderhouds- of reparatiewerkzaamheden mogen uitsluitend door gekwalificeerd personeel worden uitgevoerd.

• Ook al bent u van mening dit te kunnen doen, breng geen wijzigingen aan de installatie en de programmerings- en afstellingsparameters van uw automatiseringsinstallatie aan: uw installateur is aansprakelijk.

• De eindtest, de periodieke onderhoudswerkzaamheden en de eventuele reparatiewerkzaamheden dienen gedocumenteerd te worden door wie die uitvoert en de documenten dienen door de eigenaar van de installatie bewaard te worden.

De enige werkzaamheden die de gebruiker regelmatig kan en moet uitvoeren zijn het reinigen van de glaasjes van de fotocellen en het verwijderen van bladeren en stenen die het automatisme in diens werking kunnen belemmeren. Om te voorkomen dat iemand de deur in beweging kan brengen dient u eraan te denken voordat u dit gaat doen **het automatisme te ontgrenzen** en voor het

schoonmaken alleen een enigszins vochtige in water gedrenkte doek te gebruiken.

• **Afvalverwerking**: Als de automatisering niet meer gebruikt kan worden, dient u zich ervan te vergewissen dat de sloop daarvan door gekwalificeerd personeel wordt uitgevoerd en dat het materiaal volgens de plaatselijk geldende voorschriften wordt hergebruikt of naar de afvalverwerking wordt gezonden.

• **In geval van defecten of stroomuitval**: In afwachting van het bezoek van uw installateur, (of het terugkeren van de elektrische stroom als de installatie niet van bufferbatterijen voorzien is), mag de installatie gebruikt worden als elke andere niet-geautomatiseerde toegang. Hiertoe dient u de automatisering handmatig te ontgrenzen: aan deze handeling, die de enige is die de gebruiker van de automatisering mag uitvoeren, heeft Nice bijzonder veel aandacht besteed om u altijd een maximum aan gebruiksvriendelijkheid te garanderen, zonder dat u gereedschap moet gebruiken of fysieke kracht moet aanwenden.

• **Vervanging van de batterij van de afstandsbediening**: als uw afstandsbediening na enige tijd minder lijkt te werken, of helemaal niet te werken, zou dit eenvoudigweg kunnen komen omdat de batterij leeg is (afhankelijk van het type daarvan kan dat na verschillende maanden of na twee/drie jaar zijn). U kunt dit zien doordat het waarschuwinglampje dat de doorzending bevestigt, zwak brandt, of helemaal niet brandt, of slechts eventjes brandt. Voordat u zich tot de installateur wendt kunt u proberen de batterij van een andere zender die wél werkt, in te zetten: als dit de oorzaak van de storing is, hoeft u alleen maar een nieuwe batterij van hetzelfde type in te zetten. De batterijen bevatten vervuilende stoffen: gooi ze niet met het gewone huisvuil weg, maar gebruik de methoden die in de plaatselijke voorschriften voorzien zijn.

Оглавление:**стр.**

1	Предупреждения	101	5	Программирование	109
2	Описание изделия	102	5.1	Программируемые функции	109
2.1	Ограничения при эксплуатации	103	5.2	Описание функций	110
2.2	Типовая система	103	6	Испытания	111
2.3	Перечень кабелей	103	6.1	Пуско-наладочные работы	111
3	Установка	104	7	Техническое обслуживание и утилизация	112
3.1	Предварительные проверки	104	7.1	Техническое обслуживание	112
3.2	Установка блока управления	104	7.2	Утилизация	112
3.3	Схема электрических соединений	105	8	Аксессуары	112
3.4	Описание электрических разъемов	105	9	Технические характеристики	112
3.5	Информация о соединениях	106			
3.6	Проверка подключений	107			
4	Настройки	108			
4.1	Режимы работы	109			

1) Предупреждения

В данном руководстве содержатся важные сведения по технике безопасности. Перед началом установки компонентов необходимо внимательно ознакомиться с информацией, приведенной в данном руководстве. Необходимо также сохранить данное руководство для использования его в дальнейшем.

Поскольку в ходе установки и эксплуатации системы могут возникнуть опасные ситуации, для обеспечения максимального уровня безопасности установка должна выполняться в полном соответствии с действующими законодательными положениями и правилами.

В данном разделе подробно изложены предупреждения общего характера. Предупреждения частного характера подробно изложены в разделах 3.1 «Предварительные проверки» и 6 «Испытания и пуско-наладочные работы».

▲ В соответствии с действующим законодательством ЕС, автоматизация ворот регулируется положениями Директивы 98/37/CE (Указания по работе с оборудованием), в частности, стандартами EN 13241-1 (согласованный стандарт); EN 12445; EN 12453 и EN 12635. Соответствие оборудования данным стандартам позволяет оформить декларацию соответствия оборудования Указаниям по работе с оборудованием.

На сайте www.niceforyou.com представлена подробная информация и рекомендации по анализу рисков и по вопросам составления технической документации. Данное руководство предназначено для квалифицированных специалистов по установке. За исключением прилагающихся рекомендаций «Инструкции и важная информация для конечных пользователей», которая не предназначена для специалистов по установке, остальная содержащаяся в данном руководстве информация не рассчитана на конечных пользователей!

- Запрещается осуществлять использование или эксплуатацию устройства не в соответствии с описанием, приведенным в настоящем руководстве. Непогодное использование может привести к возникновению ущерба или травмам.
- Перед началом установки необходимо провести анализ рисков с учетом перечня основных требований безопасности, изложенных в приложении I к Указаниям по работе с оборудованием, включив в анализ соответствующие использованные решения.

Примечание. Анализ рисков представляет собой один из документов, включенных в техническую документацию по данным средствам автоматизации.

- Учитывая конкретную сферу применения системы и существующие опасные факторы, выясните, требуются ли в дополнение к данным средствам автоматизации другие устройства. При этом необходимо учитывать следующие риски: риск удара, риск дробления, риск пореза, риск заземления, а также другие типовые опасности.
- Запрещается вносить изменения в компоненты, за исключением изменений компонентов, которые описаны в данном руководстве. Подобного рода операции с большой долей вероятности приводят к возникновению неисправностей. Компания NICE не несет ответственности за ущерб, возникший в результате модификации изделий.
- В процессе установки и эксплуатации следите за тем, чтобы жидкости и твердые предметы не попадали в блок управления или другие открытые устройства. При необходимости, обратитесь в отдел NICE по обслуживанию клиентов, так как эксплуатация в подобных условиях может быть опасной.
- К эксплуатации системы автоматизации можно приступить только после выполнения пуско-наладочных работ в соответствии с описанием, приведенном в разделе 6 «Испыта-

ния и пуско-наладочные работы».

- Утилизация упаковки должна быть выполнена в соответствии с действующими нормативными актами.
- В случае возникновения неисправности, которую не удается устранить, используя приведенную в данном руководстве информацию, обратитесь в отдел NICE по обслуживанию клиентов.
- В случае срабатывания автоматического выключателя или перегорания предохранителей постарайтесь выявить и устранить произошедшую неисправность.
- Перед работой с клеммами внутри корпуса отключите все цепи подачи питания. Если не удастся определить устройство отключения, прикрепите следующий знак: «ВНИМАНИЕ! ВЕДУТСЯ РАБОТЫ ПО ТЕХНИЧЕСКОМУ ОБСЛУЖИВАНИЮ».

Особые предупреждения о надлежащей эксплуатации данного изделия в соответствии с Указаниями по работе с оборудованием 98/37CE (ранее «ранее Директива 89/392/CEE»):

- Данное изделие поставляется на рынок как «компонент механизма», и, следовательно, производится как компонент, который должен быть установлен в какой-либо механизм или использоваться для сборки механизма наряду с другими компонентами. В соответствии с директивой 98/37/ЕС, данное изделие должно использоваться исключительно в сочетании с другими компонентами в соответствии с описанием, приведенном в данном руководстве. Как указано в директиве 98/37CE, эксплуатация данного изделия допустима, только если производитель механизма, в который устанавливается данное изделие, сделал заявление о том, что такой механизм соответствует требованиям положений 98/37/CE.

Особые предупреждения о надлежащей эксплуатации данного изделия в соответствии с Директивой о низком напряжении 73/23/ЕЕС и последующими дополнениями и изменениями к данной директиве (93/68/СЕЕ):

- Данное изделие соответствует положениям, предусмотренным Директивой о низком напряжении при условии, что изделие используется в составе конфигураций, рассмотренных в данном руководстве, и в сочетании с другими изделиями, указанными в каталоге компании Nice S.p.a. В случае если данное изделие не используется в составе таких конфигураций или используется в сочетании с изделиями, не указанными в соответствующих каталогах, такое соответствие не может быть гарантировано. В этом случае запрещается использовать данное изделие до тех пор, пока специалисты по установке не подтвердят соответствие выбранной конфигурации требованиям Директивы.

Особые предупреждения о надлежащей эксплуатации данного изделия в соответствии с Директивой по электромагнитной совместимости 89/336/ЕЕС и последующими дополнениями и изменениями к данной директиве (92/31/ЕЕС и 93/68/ЕЕС):

- Данное изделие, в составе конфигураций, рассмотренных в данном руководстве и в сочетании с другими изделиями, указанными в каталоге компании Nice S.p.a, прошло испытания на электромагнитную совместимость в наиболее критических условиях эксплуатации. Электромагнитная совместимость изделия не может быть гарантирована в случае, если изделие используется в других конфигурациях или с изделиями, с которыми его использование не было предусмотрено. В этом случае запрещается использовать данное изделие до тех пор, пока специалисты по установке не подтвердят его соответствие требованиям Директивы.

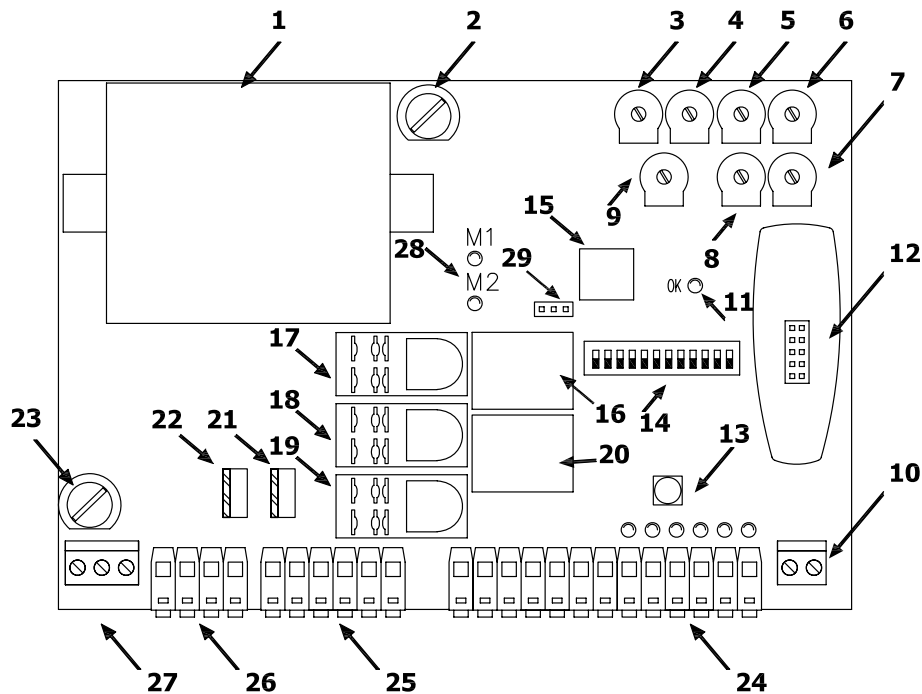
Описание изделия

Данный блок управления для автоматизации ворот, поддерживает управления двумя редукторными двигателями однофазного переменного тока.

Блок оснащен рядом микропереключателей, используемых для выбора различных функций, и триммерами для настройки работы блока.

О состоянии входов сигнализируют световые индикаторы, расположенные рядом с входами. Дополнительный световой индикатор, расположенный рядом с микропроцессором, сигнализирует о корректной работе внутренней логики.

На **рис.1** представлены и пронумерованы основные компоненты блока.

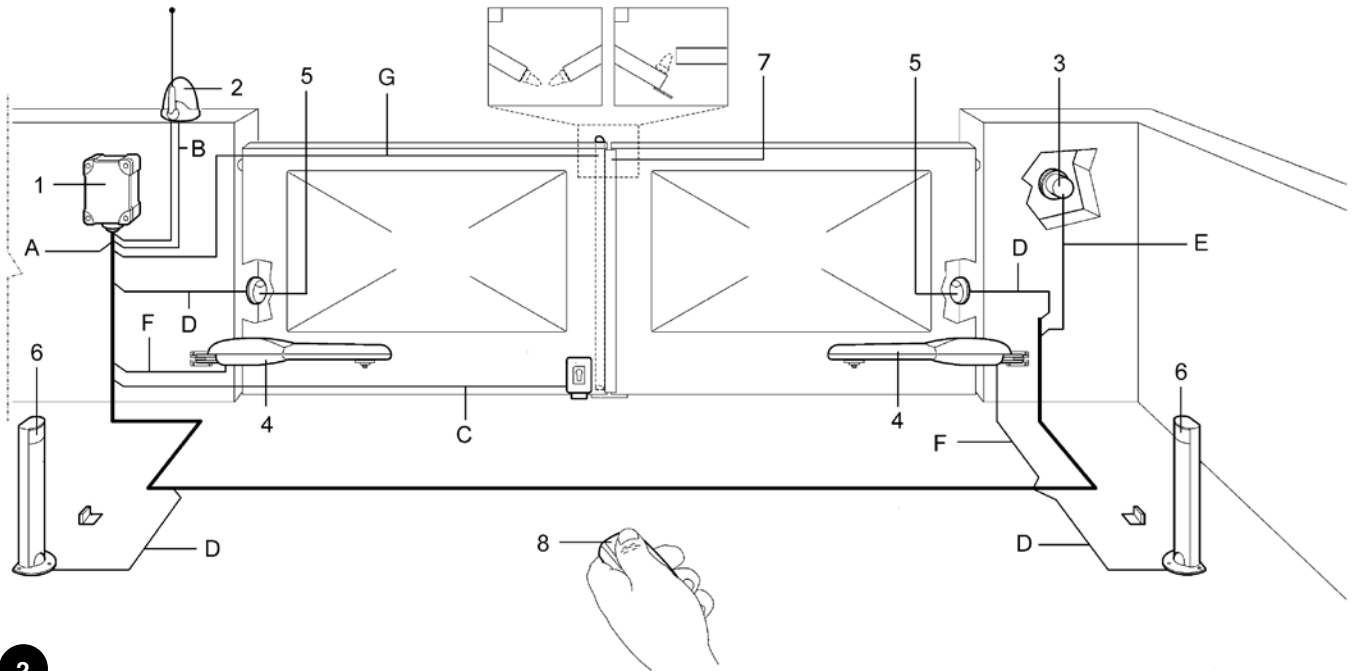


- | | |
|--|--|
| <p>1 Трансформатор.</p> <p>2 Плавкий предохранитель низкого напряжения (500mA F).</p> <p>3 Триммер регулировки усилия (F).</p> <p>4 Триммер регулировки «Время паузы» (TP).</p> <p>5 Триммер регулировки «Время задержки открытия» (TRA).</p> <p>6 Триммер регулировки «Время работы двигателя 1» (TL1).</p> <p>7 Триммер регулировки «Время работы двигателя 2» (TL2).</p> <p>8 Триммер регулировки «Время задержки закрытия» (TRC).</p> <p>9 Триммер балансировки маневра (BAL).</p> <p>10 Контактная колодка для антенны.</p> <p>11 Световой индикатор «ОК».</p> <p>12 Разъем для подключения радиоприемника.</p> <p>13 Кнопка «Пошаговый режим».</p> <p>14 Микропереключатель для выбора функции.</p> <p>15 Микропроцессор.</p> | <p>16 Реле электромеханического замка.</p> <p>17 Общее реле электроприводов.</p> <p>18 Реле подсветки.</p> <p>19 Реле направления движения «Открыть/Закрыть».</p> <p>20 Реле фототеста.</p> <p>21 Симистор электропривода 2.</p> <p>22 Симистор электропривода 1.</p> <p>23 Чувствительный предохранитель (5A, 230V пер. тока) или (6,3A, 120V пер. тока).</p> <p>24 Контактная колодка управления Вход/Выход.</p> <p>25 Контактная колодка с выходами для подключения электроприводов.</p> <p>26 Контактная колодка с выходами для подключения проблесковой сигнальной лампы / подсветки.</p> <p>27 Контактная колодка подключения питания.</p> <p>28 Световой индикатор «Электроприводы включены».</p> <p>29 Перемычка для выбора режима торможения (M-RAL).</p> |
|--|--|

2.1) Ограничения при эксплуатации

В разделе 9 «Технические характеристики» содержатся данные, позволяющие определить, подходит ли изделие для предполагаемого применения.

2.2) Типовая система



2

- | | |
|---|----------------------------------|
| 1. Блок управления А60 | 5. Пара фотозаэлементов « ФОТО » |
| 2. Проблесковая сигнальная лампа со встроенной антенной | 6. Пара фотозаэлементов «ФОТО 1» |
| 3. Переключатель с ключом | 7. Чувствительный край |
| 4. Электропривод | 8. Пульт ДУ |

2.3) Перечень кабелей

Типовая система, приведенная на рисунке 2, также включает необходимые для подключения различных устройств кабели, спецификации которых приведены в таблице 1.

⚠ Используемые кабели должны подходить для выбранного типа установки; например, кабель типа H03VV-F рекомендуется использовать для установки в помещениях, а кабель типа H07RN-F – для установки вне помещений.

Таблица 1. Перечень кабелей

Соединение	Тип кабеля	Максимальная допустимая длина
A: Линия электропитания	N°1 Кабель 3x1,5мм ²	30 м (примечание 1)
B: Проблесковая сигнальная лампа с антенной	N°1 Кабель 2x0,5мм ²	20 м
	N°1 Экранированный кабель RG58	20 м (рекомендуемая длина не более 5м)
C: Электромеханический замок	N°1 Кабель 2x1мм ²	20 м
D: Фотозаэлементы	N°1 Кабель 2x0,25мм ² (Tx)	30 м
	N°1 Кабель 4x0,25мм ² (Rx)	30 м
E: Переключатель с ключом	N°1 Кабель 4x0,25мм ²	30 м
F: Подключение двигателей	N°1 Кабель 4x1,5мм ²	3 м
G: Подключение чувствительного края	N°1 Кабель 2x0,25мм ²	30 м

Примечание 1: Допускается использовать силовой кабель длиной свыше 30м, при условии что такой кабель имеет больше сечение (например, 3 x 2,5мм²), и при наличии безопасной системы заземления рядом с блоком автоматизации.

3) Установка

⚠ Монтаж должен производиться квалифицированным персоналом в соответствии с законодательством, стандартами и постановлениями, а также положениями настоящего руководства.

3.1) Предварительные проверки

Перед началом установки необходимо:

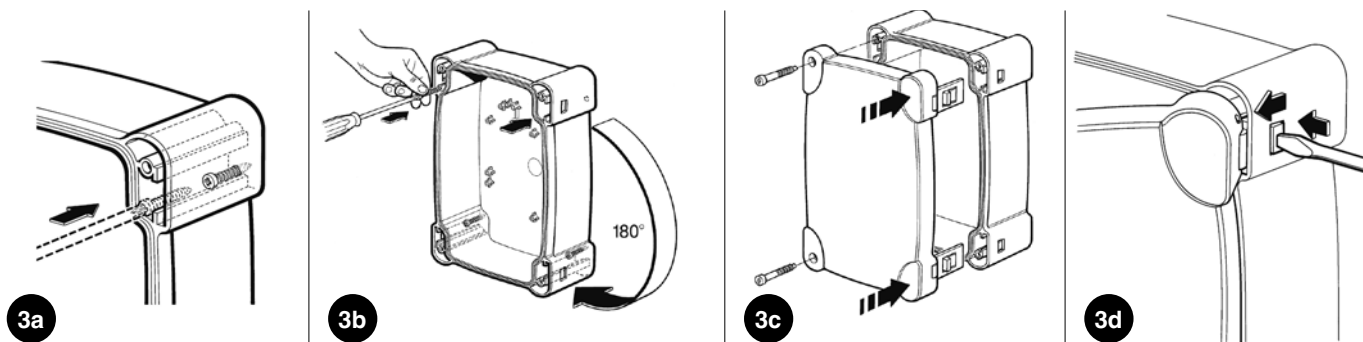
- Убедиться, что все материалы находятся в отличном состоянии, пригодны для использования, и соответствуют действующим стандартам.
- Убедиться, что конструкция ворот подходит для установки системы автоматизации.
- Убедиться, что место для установки различных устройств защищено от возможных ударов, а поверхности, на которые планируется произвести установку, являются достаточно устойчивыми.
- Прокладывать кабель только в нижней части блока; ни в коем случае не просверливайте отверстия в боковых и верхних стенках. Кабель должен входить в блок только с нижней стороны!
- Установить соответствующие механические упоры, прикрепленные земле, как для открытия, так и для закрытия ворот.
- Ни в коем случае не разрешается погружать компоненты в воду или другие жидкости.
- Блок не должен находиться рядом с источниками тепла или открытого пламени; в кислой, соленой или потенциально взрывоопасной атмосфере, так как это может привести к повреждению блоков модели А60, возникновению неисправностей и опасных ситуаций.
- При наличии в створке или в диапазоне хода ворот калитки, убедитесь, что она не препятствует нормальному ходу ворот. При необходимости следует установить подходящую систему блокировки.
- Блок управления следует подключать только к линии питания с надежной системой заземления.
- Линия питания должна быть защищена соответствующими термомагнитными и дифференциальными реле.
- Линия питания от сети должна быть оснащена устройством отключения или аналогичной системой (расстояние между контактами должно составлять не менее 3,5 мм при категории перенапряжения III), например, розеткой питания и штепсельной вилкой. Если устройство отключения линии питания не устанавливается рядом с системой автоматизации, необходимо установить систему блокировки, позволяющую предотвратить случайное или несанкционированное соединение.

3.2) Установка блока управления

Вставьте два винта в имеющиеся верхние отверстия, установите их по направлению, указанному на рис. 3а, и закрутите их не до конца. Поверните блок питания на 180° и выполните те же действия с другими двумя винтами. Прикрепите блок управления к стене.

Наденьте крышку на соответствующую деталь (с отверстием справа или слева) и плотно прижмите в направлениях, указанных на рисунке стрелками.

Чтобы снять крышку, нужно надавить отверткой на стык, толкнув крышку вверх.



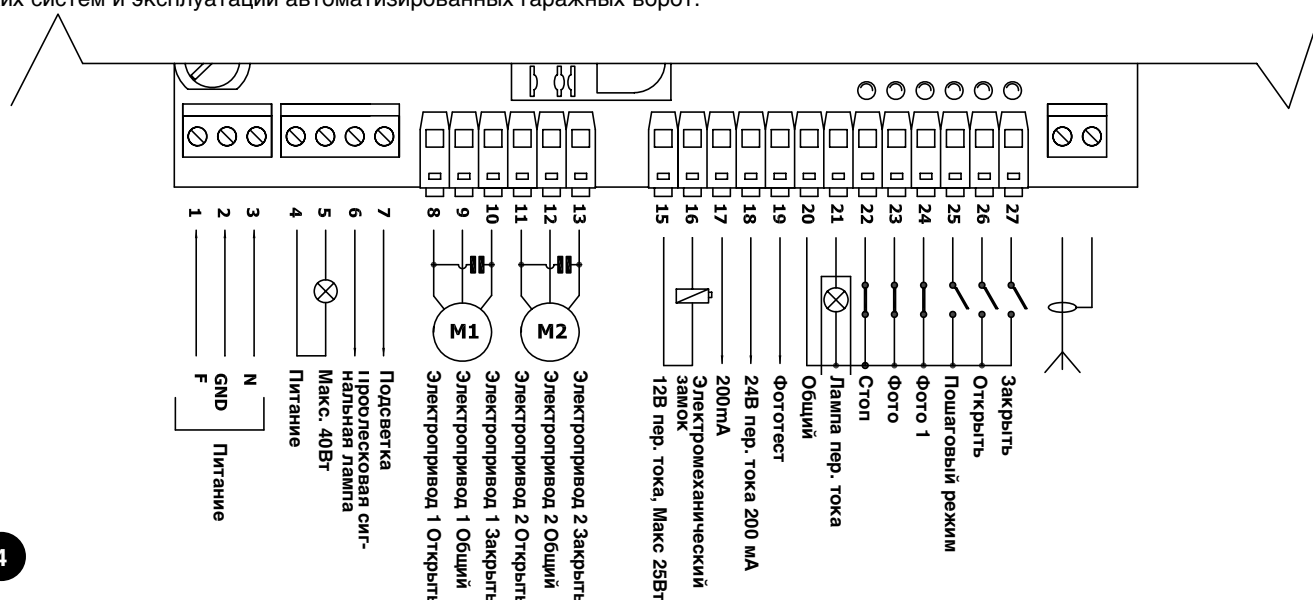
3.3) Схема электрических соединений

▲ В целях обеспечения безопасности оператора и во избежание повреждения компонентов при проведении работ по монтажу электропроводки и при подключении различных плат блок управления должен быть отключен.

- Подключите блок управления, используя кабель 3x1,5мм²; если расстояние между блоком управления и заземлением превышает 30м, установите рядом с блоком пластину заземления.
- Для подключения схем безопасности сверхнизкого напряжения используйте провода сечением не менее 0,25мм².
- При расстоянии более 30м используйте экранированные провода; подключайте провод заземления только со стороны блока управления.
- Не подключайте провода в скрытом корпусе, даже если они абсолютно герметичны.
- Если выходы нормально закрытых контактов (NC) не используются, для них должна быть установлена перемычка на клемму «24В, общий», за исключением входов для фотоэлементов, на которые не следует устанавливать перемычку, если используется функция фототеста. Подробная информация содержится в параграфе 3.5 «Информация о соединениях» в разделе «Фототест».
- Если нормально закрытых контактов (NC) несколько, они должны быть подсоединены друг к другу ПОСЛЕДОВАТЕЛЬНО.
- Если выходы нормально открытых контактов (NO) не используются, их следует оставить открытыми.
- Если нормально открытых контактов (NO) несколько, они должны быть подсоединены друг к другу ПАРАЛЛЕЛЬНО.
- Контакты должны быть механическими и не должны находиться под напряжением. Запрещается подключать разъемы с маркировкой «PNP», «NPN», «Open Collector» и т.п.

Выполните монтаж электропроводки в соответствии со схемой, представленной на **рис. 4**, и описанием соединений.

Помните, что монтаж должен выполняться в соответствии с определенными стандартами в области безопасности электрических систем и эксплуатации автоматизированных гаражных ворот.



4

3.4) Описание электрических разъемов

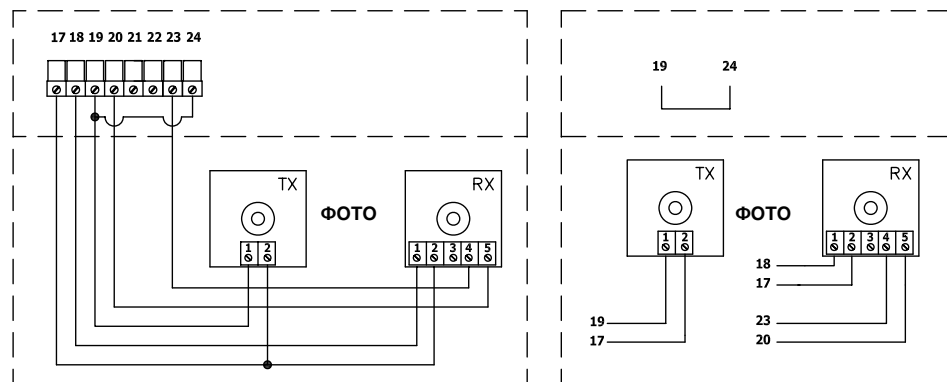
В таблице ниже приводится краткое описание разъемов для подключения блока управления.

Клеммы	Функция	Описание
1-2-3 :	Питание =	Питание от сети
4-5 :	Проблесковая сигнальная лампа =	Выход для подключения проблесковой сигнальной лампы к сети электропитания (максимальная мощность 40Вт)
6-7 :	Подсветка =	Выход (чистый контакт) для подключения подсветки (макс. 5А)
8-9-10 :	Двигатель 1 =	Выход для подключения средств управления первого двигателя
11-12-13 :	Двигатель 2 =	Выход для подключения средств управления второго двигателя
15-16 :	Электромеханический замок =	Выход 12В пер. тока для включения электромеханического замка (максимальная мощность 25Вт)
17-18 :	24В пер. тока =	Выход для подключения устройств на 24В пер. тока (макс. 200мА)
19 :	Фототест =	Выход для устройств фототеста (подача питания на фотоэлементы («ТХ»)), макс. 75мА
20 :	Общий =	Общий терминал для всех входов
21 :	Лампа пер. тока =	Выход на 24В пер.тока для индикатора «Ворота открыты» (максимальная мощность 2Вт)
22 :	Стоп =	Вход с функцией «Стоп» (остановка и короткий ход в обратном направлении)
23 :	Фото =	Вход для подключения устройств безопасности
24 :	Фото 1 =	Вход для подключения дополнительного устройства безопасности
25 :	Пошаговый режим (PP) =	Вход для переключения в циклический режим работы («Открыть» – «Стоп» – «Закрыть» – «Стоп»)
26 :	Открыть =	Вход для выполнения открытия
27 :	Закрыть =	Вход для выполнения закрытия
	Антенна =	Вход для антенны радиоприемника

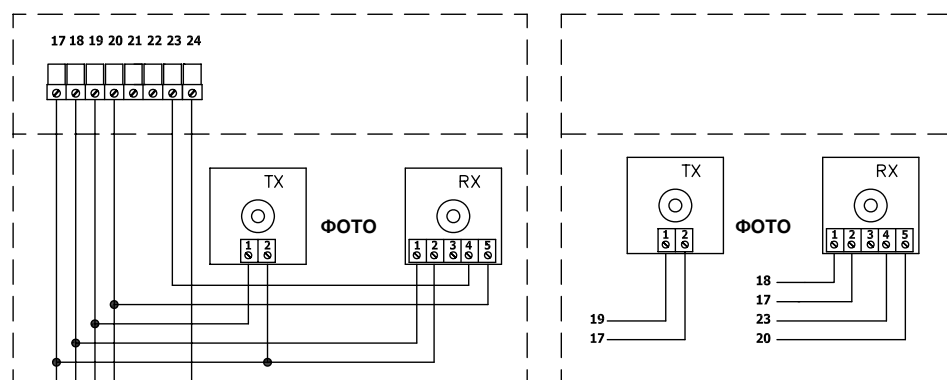
3.5) Информация о соединениях

В большинстве случаев подключение необходимых устройств подразумевает простое подключение к одному контакту или разъему, но в ряде случаев подключение оказывается несколько более сложным.

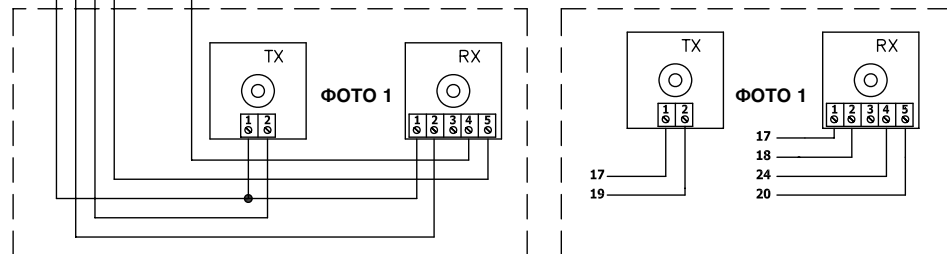
Для корректной работы всех однофазных асинхронных двигателей требуется конденсатор; у некоторых редукторных двигателей имеется встроенный конденсатор, в то время как к другим двигателям требуется подключить внешний конденсатор. В этом случае, конденсатор необходимо подключить между фазами двигателя «ОТКРЫТЬ» и «ЗАКРЫТЬ». С практической точки зрения, конденсатор необходимо установить непосредственно внутри блока в специально отведенное для него место.



5



5а



Функция «Фототест» позволяет повысить уровень надежности устройств безопасности. Блоки управления, поддерживающие данную функцию, относятся к категории 2 в соответствии со стандартом EN 954-1 (редакция 12/1996).

Всякий раз перед началом перемещения ворот выполняется проверка соответствующих устройств безопасности; только, если все устройства работают нормально, ворота начинают двигаться. Если при прохождении теста обнаруживаются неполадки (на фотоэлемент попал яркий солнечный свет, в кабелях произошло короткое замыкание и т.п.), перемещение ворот не выполняется.

Для включения функции «Фототест» необходимо выполнить следующие действия:

- Установить микропереключатель 10 в положение «ВКЛ.».
- Подключить устройства безопасности как показано на **рис. 5** (при использовании одного выхода «ФОТО», либо на **рис. 5а** (при использовании также выхода «ФОТО 1».

Питание на пульты ДУ фотоэлементов поступает через специальный выход «ФОТОТЕСТ», а не непосредственно с рабочего выхода. Максимальная сила тока на выходе «ФОТОТЕСТ» составляет 75мА (три пары фотоэлементов).

- Подключить приемники непосредственно к рабочему выходу блока управления (клеммы 17 – 18).

Проверка фотоэлементов производится следующим образом: если поступает команда начать движение, в первую очередь проверяется, поддерживается ли выполнение команды всеми приемниками, участвующими в выполнении движения. После этого отключается питание датчиков, после чего проверяется, сигнализируют ли приемники об этом факте, отменив поддержку выполнения команды. Наконец, повторно подключается питание датчиков, и повторяется проверка готовности приемников к работе. Движение выполняется только после успешного выполнения перечисленных действий.

Имеет смысл включить синхронную работу датчиков, сняв переключки на пультах. Это единственный способ, позволяющий гарантировать отсутствие взаимных помех при работе двух пар фотоэлементов. См. инструкции о синхронизированной работе в руководстве по фотоэлементам.

Если вход «ФОТОТЕСТ» не используется (см. «ФОТО 1»), но вам необходима функция фототеста, подключите неиспользуемый вход к выходу «ФОТОТЕСТ» (клеммы 19 – 24) при помощи переключки (см. **рис. 5а**).

Если через некоторое время необходимость в использовании функции «ФОТОТЕСТ» исчезнет, переведите микропереключатель 10 в положение «Выкл.».

3.6) Проверка подключений

⚠ Описанные действия выполняются с устройством, схемы которого находятся под напряжением. Большая часть таких схем работает на безопасном сверхнизком напряжении и не представляет опасности для жизни человека. Однако некоторые схемы запитываются от сети и **ЧРЕЗВЫЧАЙНО ОПАСНЫ**.

При выполнении работ необходимо быть крайне внимательным. **НИ В КОЕМ СЛУЧАЕ НЕ СЛЕДУЕТ ВЫПОЛНЯТЬ РАБОТЫ В ОДИНОЧКУ.**

- Подайте питание на блок управления и убедитесь, что напряжение между клеммами 17 – 18 составляет приблизительно 24В пер. тока.
- Убедитесь, что световой индикатор «ОК» быстро мигает в течение нескольких секунд, после чего начинает мигать регулярно.
- Теперь убедитесь, что световые индикаторы нормально закрытых контактов (NC) горят (все устройства безопасности включены), а световые индикаторы входов нормально открытых контактов выключены (команда не поступала). Если это не так, проверьте правильность подключения различных устройств и убедитесь, что они находятся в исправном состоянии. Вход «СТОП» отключает FCA и FCC.
- Разблокируйте створки ворот, переместите их до середины траектории движения и заблокируйте; теперь створка ворот может переместиться как в направлении открытия, так и в направлении закрытия.
- Убедитесь, что ворота двигаются в правильном направлении, т.е., убедитесь в том, что движение, заданное на блоке управления, соответствует фактическому движению створок. Это чрезвычайно важная проверка: если направление движения окажется неверным, в некоторых случаях (например, в полуавтоматическом режиме работы) может казаться, что автоматизированная система работает нормально; фактически, цикл открытия во многом схож с циклом закрытия. Ключевое различие заключается в том, что при закрытии ворот устройства безопасности игнорируются (обычно именно этот момент является наиболее опасным), а во время открытия устройства безопасности

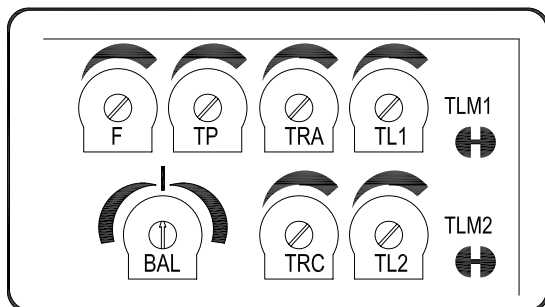
срабатывают, в результате чего ворота закрываются, несмотря на препятствия на траектории движения. Это может привести к ужасным последствиям.

- Убедитесь в правильности направления вращения. Подайте короткую импульсную команду на вход «Открыть» и проверьте, двигается ли автоматизированная система в направлении открытия. Если это не так, выполните следующие действия.
 - Отключите питание;
 - Поменяйте провода питания неправильно подключенных двигателей (для первого двигателя (M1) необходимо изменить подключение на клеммах 8 – 10; для второго двигателя (M2) – на клеммах 11 – 13).
 - Выполнив эти действия, повторно проверьте правильность направления вращения, как это описано в предыдущем пункте.

Световой индикатор «ОК», расположенный в центре платы рядом с микропроцессором, сигнализирует о состоянии внутренней логики: мигание с частотой 1 раз в секунду означает, что встроенный микропроцессор находится в активном состоянии и ожидает поступления команд. Когда микропроцессор обнаруживает изменение состояния какого-либо входа (при поступлении команды или выборе функции при помощи микропереключателя), световой индикатор дважды быстро мигает, даже если данное изменение не подразумевает немедленного выполнения какого-либо действия. Очень быстрое мигание в течение 3 секунд означает, что блок управления только, что был включен либо выполняет внутреннюю проверку. Нерегулярное мигание в течение продолжительного времени означает, что проверка дала отрицательные результаты и в работе блока управления произошел сбой.

4) Настройки

Для настройки блока можно использовать триммеры, позволяющие изменять следующие параметры:



• ВРЕМЯ РАБОТЫ (TL1 TL2):

Данный триммер позволяет отрегулировать продолжительность открытия или закрытия, выполняемые двигателем 1 (TL1) или двигателем 2 (TL2).

Настройки триммеров (TL1, TL2) вступают в силу при первом открытии, выполняемом после завершения настройки (время работы рассчитано на перемещение обеих створок). Следовательно, регулировку триммеров необходимо выполнять, когда ворота закрыты.

Если используются приводы с электрическими концевыми выключателями или ограничителями, отрегулируйте эти выключатели или ограничители, максимально увеличив диапазон перемещения створки при открытии или закрытии.

Чтобы отрегулировать время работы (TL), выберите полуавтоматический режим работы, установив микропереключатель 1 в положение «Вкл». Затем установите значение триммеров TL, соответствующее примерно половине расстояния хода ворот. После этого выполните полный цикл открытия и закрытия; при необходимости, отрегулируйте значение триммеров TL так, чтобы установленного времени было достаточно для выполнения маневра с запасом 2 – 3 секунды до срабатывания электрических концевых выключателей (если двигатели оснащены концевыми выключателями) или до достижения ограничителей хода.

Чтобы узнать, когда истекает время работы двух двигателей, проверьте, выключены ли световые индикаторы «Двигатели включены», расположенные на блоке управления. (Световой индикатор должен выключаться, когда время работы соответствующего двигателя истекает).

Если для триммеров TL установлено максимальное значение, но времени для перемещения ворот все еще недостаточно, снимите перемычку TLM1 для увеличения времени работы двигателя 1 и перемычку TLM2 для увеличения времени работы двигателя 2. Эти перемычки расположены рядом с соответствующими триммерами.

Чтобы использовать функцию ТОРМОЖЕНИЕ (микропереключатель 8 в положении «ВКЛ.»), отрегулируйте триммеры времени работы так, чтобы двигатели переходили к этапу торможения приблизительно за 50 – 70 см до ограничителей хода ворот при открытии или закрытии.

• ВРЕМЯ ЗАДЕРЖКИ ОТКРЫТИЯ (TRA) И ВРЕМЯ ЗАДЕРЖКИ ЗАКРЫТИЯ (TRC)

Если створки двустворчатых ворот ударяются друг о друга, когда они открываются одновременно, или одна створка заходит на другую, когда они закрываются, необходимо настроить триммер «Время задержки открытия» (TRA) или триммер «Время задержки закрытия» (TRC).

Триммер TRA следует настроить так, чтобы створка, приводимая в движение вторым двигателем, проходила расстояние, на котором створки ворот ударяются друг о друга, до

начала движения створки, приводимой в движение вторым двигателем.

Триммер TRC следует настроить так, чтобы створка, приводимая в движение вторым двигателем, всегда проходила расстояние до полного закрытия только после того, как первый двигатель уже выполнил закрытие другой створки.

• ВРЕМЯ ПАУЗЫ (TP):

В автоматическом режиме этот триммер позволяет отрегулировать промежуток времени между окончанием открытия и началом закрытия.

• УСИЛИЕ (F):

Регулировку триммера «УСИЛИЕ» (F) следует выполнять с максимальной осторожностью, так как настройки этого триммера могут повлиять на уровень безопасности автоматизированной системы. Регулировка данного параметра производится опытным путем посредством измерения усилия, приложенного к створке ворот, и сравнения полученного значения с нормативными.

• БАЛАНСИРОВКА времени маневров (BAL):

Триммер «БАЛАНС» этого блока управления позволяет по-разному настроить время работы при открытии и закрытии.

Эта функция полезна, когда при работе в разных направлениях двигатель вращается с разной скоростью, как, например, для гидравлических двигателей или если створки ворот смещены при открытии и закрытии, из-за чего к створкам прилагаются разные усилия и для прохождения одного и того же расстояния требуется разное время.

Следовательно, если ворота смещаются при закрытии, открытие может завершиться еще до того, как створки дойдут до механических упоров; в этом случае поверните триммер BAL по часовой стрелке (Op), чтобы увеличить время открытия до начала торможения в заданной точке (за 50 см до механического упора). После достижения створками механических упоров маневр продолжается еще 3 – 5 секунд. С другой стороны, если ворота смещаются при открытии, увеличьте время закрытия, повернув триммер BAL против часовой стрелки (Cl).

Если установить триммер строго по центру, время открытия будет равно времени закрытия.

4.1) Режимы работы

При работе в ручном режиме вход «ОТКРЫТЬ» дает разрешение на выполнение открытия; вход «ЗАКРЫТЬ» дает разрешение на выполнение закрытия; вход «ПОШАГОВЫЙ РЕЖИМ» дает разрешение на выполнение открытия и закрытия в последовательности. Как только команда перестает поступать, перемещение ворот прекращается. Если при открытии или закрытии прекращается поступление команды или сигнала устройств безопасности, перемещение ворот также прекращается. Поступление команды «СТОП» приводит к немедленному прекращению перемещения, как при открытии, так и при закрытии. При остановке перемещения необходимо прекратить поступление команды на вход до того, как поступление новой команды вызовет выполнение нового маневра.

При работе в одном из автоматических режимов (полуавтоматический, автоматический или режим «ВСЕГДА ЗАКРЫВАТЬ») импульсный сигнал, поступающий на вход «ОТКРЫТЬ», приводит к выполнению открытия. Поступление импульсного сигнала команды на вход «ПОШАГОВЫЙ РЕЖИМ» приводит к последовательному выполнению закрытия и открытия. Второй импульсный сигнал команды, поступающий на этот вход или на вход, который вызвал перемещение, приведет к остановке ворот.

Поступление команды «СТОП» приводит к немедленному прекращению перемещения и короткому обратному ходу ворот как при открытии, так и при закрытии. Если на вход поступает не импульсный, а непрерывный сигнал команды, возникает состояние «приоритета», при котором отключаются входы других команд (**данная функциональная возможность полезна при использовании таймера или переключателя «День/Ночь»**).

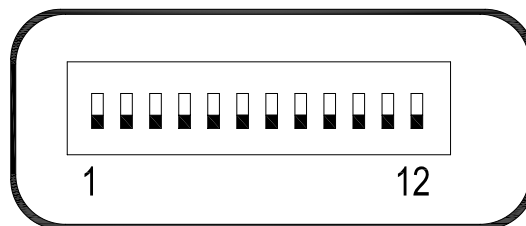
В автоматическом режиме работы за выполнением маневра открытия следует пауза, после которой начинается маневр закрытия. Если во время паузы срабатывает фотоэлемент (ФОТО), настройки таймера сбрасываются, и устанавливается новая продолжительность паузы. С другой стороны, если во время паузы поступает команда «СТОП», повторное закрытие отменяется и система переключается в режим «СТОП».

При выполнении маневра открытия срабатывание фотоэлемента (ФОТО) не приводит к выполнению каких-либо действий, однако срабатывание фотоэлемента (ФОТО) при выполнении маневра закрытия начинает движение ворот в обратном направлении, за которым следуют пауза и выполнение маневра повторного закрытия.

5) Программирование

На блоке управления имеется ряд микропереключателей, используемых для выбора различных функций, позволяющих оптимально настроить систему в соответствии с требованиями пользователя и обеспечить безопасность работы в различных условиях эксплуатации. Все функции включаются при переводе микропереключателя в положение «ВКЛ.» и выключаются при переводе микропереключателя в положение «ВЫКЛ.». В ряде случаев действия, соответствующие определенным функциям, выполняются не сразу, а при наступлении определенных условий.

▲ ВНИМАНИЕ: некоторые программируемые функции определяют уровень безопасности системы. Следует крайне тщательно оценивать выбор функций и их влияние на уровень безопасности.



Перед внесением изменений в программируемые функции, уточните, по какой причине функции были настроены именно так, и проверьте, не приведут ли вносимые изменения к снижению уровня безопасности.

5.1) Программируемые функции

Используйте информацию в таблице ниже, чтобы с помощью микропереключателей «ФУНКЦИИ» выбирать различные режимы работы и добавлять необходимые функции:

Переключатели 1 – 2:	Выкл. Выкл.	= Движение ворот в ручном режиме (присутствие оператора)
	Вкл. - Выкл.	= Движение ворот в полуавтоматическом режиме
	Выкл. - Вкл.	= Движение ворот в автоматическом режиме (автоматическое закрытие)
	Вкл. - Вкл.	= Движение ворот в автоматическом режиме с последующим закрытием
Переключатель 3	Вкл.	= Работа в кондоминиуме <Недоступна в ручном режиме>
Переключатель 4	Вкл.	= Предварительное мигание
Переключатель 5	Вкл.	= Закрытие через 5 секунд после срабатывания фотоэлемента <в автоматическом режиме> или закрытие после срабатывания фотоэлемента <в полуавтоматическом режиме>
Переключатель 6	Вкл.	= Срабатывание фотоэлемента 1 при открытии
Переключатель 7	Вкл.	= Гидравлический удар
Переключатель 8	Вкл.	= Замедление
Переключатель 9	Вкл.	= Поддержание уровня давления
Переключатель 10	Вкл.	= Фототест
Переключатель 11	Вкл.	= Подсветка в импульсном режиме
Переключатель 12	Вкл.	= Преобразование команды ЗАКРЫТЬ в команду ОТКРЫТЬ КАЛИТКУ

Примечание 1: Некоторые функции доступны только при определенных условиях, указанных в треугольных скобках "<...>".

5.2) Описание функций

Ниже представлено краткое описание функций, которые можно включить, переведя соответствующий микропереключатель в положение «ВКЛ».

Переключатели 1-2:

ВЫКЛ. ВЫКЛ. = Движение ворот в ручном режиме (присутствие оператора)

ВКЛ. - ВЫКЛ. = Движение ворот в полуавтоматическом режиме

ВЫКЛ. - ВКЛ. = Движение ворот в автоматическом режиме (автоматическое закрытие)

ВКЛ. - ВКЛ. = Движение ворот в автоматическом режиме с последующим закрытием

При работе в ручном режиме ворота открываются только при нажатии на соответствующую кнопку управления.

При работе в полуавтоматическом режиме импульсный сигнал команды выполняет полное перемещение, пока не закончится время работы или не сработает концевой выключатель. При работе в автоматическом режиме после выполнения маневра открытия следует пауза, после которой автоматически выполняется закрытие. Функция «Закрывать всегда» включается при временном отключении напряжения; если ворота открыты, индикатор системы мигает в течение 5 секунд, а затем автоматически выполняется закрытие

Переключатель 3: Вкл. = Работа в кондоминиуме (недоступна в ручном режиме)

При работе в режиме кондоминиума начавшийся маневр открытия нельзя остановить другими командами, например «ПОШАГОВЫЙ РЕЖИМ» или «ОТКРЫТЬ», пока ворота не откроются полностью. Во время закрытия сигнал новой команды приводит к остановке перемещения ворот и движению ворот в обратном направлении, т.е. к открытию.

Переключатель 4: Вкл. = Предварительное мигание

При выполнении команды включается проблесковая сигнальная лампа; перемещение начинается через пять секунд после включения (на две секунды позже при работе системы в ручном режиме).

Переключатель 5: Вкл. = Закрытие через 5 секунд после срабатывания фотозлемента <в автоматическом режиме> или закрытие после срабатывания фотозлемента <в полуавтоматическом режиме>

Если эта функция включена в автоматическом режиме, ворота остаются открытыми только на время, необходимое для того чтобы въехать в гараж или выехать из него. Когда этап «ФОТО» завершен, выполнение маневра прекращается. Через 5 секунд автоматически начинается закрытие. Если фотозлемент «ФОТО» срабатывает в полуавтоматическом режиме во время закрытия, автоматическое закрытие активируется по истечении заданного времени паузы.

Переключатель 6: Вкл. = Срабатывание Фотозлемента 1 при открытии

Устройство безопасности «ФОТО 1» обычно включается только при закрытии; если микропереключатель 6 включен, данное устройство безопасности также может остановить перемещение при открытии. В полуавтоматическом или автоматическом режимах открытие возобновляется сразу же после отключения фотозлемента.

Переключатель 7: Он = Colpo d'ariete

При использовании реверсивных приводов, когда толкающего усилия двигателей недостаточно для того, чтобы ворота оставались закрытыми, необходимо установить электромеханический замок (см. подробную информацию в инструкциях по эксплуатации приводов).

Соответственно, при исходном толкающем усилии, прилагаемом электромеханическим замком, створки ворот могут оставаться приоткрытыми. Иногда толкающее усилие настолько велико, что блокирует механизм срабатывания электромеханического замка. Если включить функцию гидравлический удар, перед открытием происходит краткий цикл закрытия, в ходе которого, тем не менее, ворота не перемещаются, так как они зафиксированы концевым выключателем на закрытие. Таким образом, когда включается электромеханический замок, ненужные усилия к нему не прилагаются, и он срабатывает.

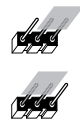
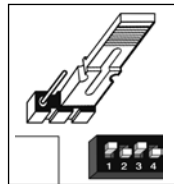
Переключатель 8: Вкл. = Замедление

При замедлении скорость движения ворот сокращается приблизительно на 30% по сравнению с номинальной скоростью, тем самым уменьшая силу воздействия в области открытия и закрытия ворот. Функция замедления позволяет уменьшить скорость работы автоматизированной системы и крутящий момент двигателя на величину до 70%.

Если система автоматизации должна работать при большом крутящем моменте, такое уменьшение может привести к моментальной остановке двигателей.

По этой причине данная функция не используется для тяжелых ворот и ворот, подверженных воздействию большой силы трения. При включении функции замедления необходимо отрегулировать триммер «ВРЕМЯ РАБОТЫ» (WT), поскольку начало замедления зависит от заданного времени работы. Соответственно, необходимо установить время работы так, чтобы замедление начиналось приблизительно за 50 см до механических упоров, за счет чего маневр длится еще 3 – 5 секунд после того, как ворота достигнут механического упора.

Для выбора одного из двух режимов ЗАМЕДЛЕНИЯ блок управления оснащен переключателем (M-RAL); один режим позволяет уменьшить крутящий момент на 70%; второй режим уменьшает крутящий момент на 60% и предназначен для тяжелых ворот.



Уменьшение крутящего момента на 70%



Уменьшение крутящего момента на 60%

При замедлении уровень шума, издаваемого двигателем, незначительно повышается. Перед изменением настроек замедления изучите настройки триммера «БАЛАНС» в разделе 4 - Настройки.

Переключатель 9: Вкл. = Поддержание уровня давления

В гидравлических приводах толкающее усилие, необходимое для удержания ворот в закрытом состоянии, возникает в гидравлическом контуре, который постоянно находится под давлением. Однако вследствие естественного износа герметичность гидравлического контура уменьшается, поэтому через несколько часов эксплуатации после закрытия ворот внутреннее давление может упасть, в результате чего ворота могут слегка приоткрыться.

Если включена функция «ПОДДЕРЖАНИЕ УРОВНЯ ДАВЛЕНИЯ», через каждые четыре часа после закрытия ворот выполняется краткий маневр закрытия, обеспечивающий необходимый уровень давления в гидравлическом контуре.

Переключатель 10: Вкл. = Фототест

При включении эта функция проверит состояние фотозлемента перед выполнением каждого маневра. См. раздел «ФОТОТЕСТ».

Переключатель 11: Вкл. = Подсветка в импульсном режиме

В этом режиме в начале каждого открытия или закрытия выход (чистый контакт) для подключения подсветки остается закрытым в течение 1 секунды, за счет чего импульсный сигнал команды поступает на внешний таймер.

Переключатель 12: Вкл. = Преобразование команды «ЗАКРЫТЬ» в команду «ОТКРЫТЬ КАЛИТКУ»

В этом режиме вход «ЗАКРЫТЬ» утрачивает свое изначальное назначение и используется для открытия одной створки, как вход «ПОШАГОВЫЙ РЕЖИМ» для пешеходов, за счет

чего створки ворот приводятся в движение электроприводом 2 и открываются как калитка для пешеходов.

Цикл открытия калитки может начаться, только, если ворота закрыты; если ворота перемещаются или открыты, эта функция не срабатывает.

6) Испытания

После выполнения проверок и настроек можно приступить к испытанию системы.

⚠ **Необходимые испытания системы автоматизации должны проводиться квалифицированным и опытным персоналом с учетом соответствующих рисков.**

Проведение испытаний – это наиболее важный этап процедуры установки системы автоматизации, позволяющий обеспечить максимальную безопасность устройства. Для каждого компонента, например, двигателя, аварийного останова, фотоэлементов и т.п.

При испытании блока управления необходимо выполнить следующие действия:

1. Выбор функции:
 - Переведите микропереключатель 1 в положение «ВКЛ» (Полуавтоматический режим работы); убедитесь, что все остальные микропереключатели находятся в положении «ВЫКЛ».
2. Нажмите кнопку «ОТКРЫТЬ» и проверьте следующее:
 - сигнальная проблесковая лампа включена;
 - начинается выполнение маневра открытия;
 - при достижении концевого ограничителя на открытие перемещение прекращается.
3. Нажмите кнопку «ЗАКРЫТЬ» и проверьте следующее:
 - сигнальная проблесковая лампа включена;
 - начинается выполнение маневра закрытия;
 - при достижении концевого ограничителя на закрытие перемещение прекращается.
4. Дайте команду начать маневр открытия и убедитесь, что во время маневра:
 - срабатывание устройства, подключенного к входу «СТОП», приводит к немедленной остановке перемещения и короткому обратному ходу.
 - срабатывание устройства, подключенного к входу «ФОТО», не приводит к выполнению каких-либо действий.
5. Дайте команду начать маневр закрытия и убедитесь, что во время маневра:

- срабатывание устройства, подключенного к входу «Стоп», приводит к немедленной остановке перемещения и короткому обратному ходу.
 - срабатывание устройства, подключенного к входу «ФОТО» приводит к остановке, после которой следует обратный маневр.
 - срабатывание устройства, подключенного к входу «ФОТО 1» приводит к остановке, после которой следует обратный маневр.
6. Проверьте подключенные входы; убедитесь, что при активации каждого входа выполняется очередное действие следующей последовательности:
 - Вход «Пошаговый режим»: последовательность = Открыть – Стоп – Закрыть – Стоп
 - Вход «ОТКРЫТЬ»: последовательность = Открыть – Стоп – Открыть – Стоп
 - Вход «ЗАКРЫТЬ»: последовательность = Закрыть – Стоп – Закрыть – Стоп
 7. Если используется функция «ФОТОТЕСТ», проверьте работоспособность теста:
 - Прервите работу фотоэлемента «ФОТО», затем начните выполнение маневра и убедитесь, что маневр не выполняется.
 - Прервите работу фотоэлемента «ФОТО 1», затем начните выполнение маневра и убедитесь, что маневр не выполняется.
 - Замкните контакт фотоэлемента «ФОТО», затем дайте команду выполнения маневра и убедитесь, что маневр не выполняется.
 - Замкните контакт фотоэлемента «ФОТО 1», затем дайте команду выполнения маневра и убедитесь, что маневр не выполняется.
 8. Проведите испытания, позволяющие определить силу удара в соответствии с требованиями стандарта EN 12445.

Если после проведения испытаний для работы системы включаются дополнительные функции, которые могут привести к ухудшению безопасности системы, необходимо провести испытания данных функций.

6.1) Пуско-наладочные работы

Пуско-наладочные работы следует производить только после успешного проведения всех испытаний блока управления и других устройств. Не допускается частичное выполнение пуско-наладочных работ или эксплуатация системы, не прошедшей испытания.

1. Подготовьте техническую документацию по системе автоматизации, включающую, как минимум, следующие документы: монтажный чертеж системы автоматизации, схему электропроводки, анализ рисков и реализованные решения по их устранению и предотвращению, декларации о соответствии нормам ЕС (для всех установленных устройств; для модели А60 сохраните приведенную ниже декларацию), копию руководства по эксплуатации и график технического обслуживания. Техническая документация должна храниться не менее 10 лет.
2. Прикрепите на ворота табличку, содержащую следующие данные: тип системы автоматизации, название и адрес производителя (лица, отвечающего за пуско-наладочные работы), серийный номер, год производства и маркировку «СЕ».

3. Рядом с воротами установите табличку или знак, на которых содержится подробная информация об операциях разблокировки и перемещении ворот вручную.
4. Подготовьте декларацию о соответствии системы автоматизации нормам ЕС и передайте ее владельцу системы.
5. Подготовьте документ «Инструкции и важная информация по эксплуатации системы автоматизации» и передайте документ владельцу системы.
6. Подготовьте график технического обслуживания системы автоматизации и передайте его владельцу системы. Такой график должен включать все указания по техническому обслуживанию каждого устройства автоматизации.
7. Перед выполнением пуско-наладочных работ письменно проинформируйте владельца об остаточных рисках (например, включив такую информацию в документ «Инструкции и важная информация по эксплуатации системы автоматизации»).

7) Техническое обслуживание и утилизация

▲ В данном разделе содержится информация о том, как составить график технического обслуживания, а также информация об утилизации блоков управления моделей А60.

7.1) Техническое обслуживание

Чтобы максимально продлить срок службы оборудования, необходимо регулярно проводить техническое обслуживание системы автоматизации.

Операции по техническому обслуживанию должны выполняться в строгом соответствии с инструкциями по технике безопасности, содержащимися в данном руководстве, а также в соответствии с действующими нормативными актами и применимыми стандартами.

Если система автоматизации включает другие устройства, техническое обслуживание устройств должно проводиться по соответствующему графику технического обслуживания, который может отличаться от графика технического обслуживания

блоков управления модели А60.

1. Плановое техническое обслуживание должно проводиться один раз в шесть месяцев или при наработке максимум 10000 маневров с момента проведения предыдущего технического обслуживания.
2. Отключите электропитание системы.
3. Проверьте ухудшение состояния компонентов системы автоматизации, обратив особое внимание на наличие коррозии или окисления ее несущих деталей. Замените недостаточно надежные детали.
4. Подключите устройство к источнику питания и проведите испытания, описанные в Разделе 6 «Испытания».

7.2) Утилизация

Утилизация данного изделия должна выполняться квалифицированным персоналом, как и его установка.

Данное изделие изготовлено из материалов различных типов, часть которых может быть переработана. Выясните, какие процедуры переработки и утилизации могут использоваться для данной категории товара в вашем регионе в соответствии с местными нормативными актами.

▲ Некоторые детали данного изделия могут содержать опасные или загрязняющие окружающую среду материалы, которые при попадании в окружающую среду могут причинить серьезный вред природе и здоровью человека.

Как указано специальным символом на рисунке, запрещается выбрасывать данное изделие как бытовые отходы. Следуйте инструкциям по сортировке и утилизации мусора в соответствии с методами, предусмотренными местными нормативными актами, или верните данное изделие розничному продавцу при приобретении нового аналогичного изделия.

Положениями местного законодательства за ненадлежащую ликвидацию данного изделия могут быть предусмотрены карательные санкции.



8) Аксессуары

РАДИОПЛАТА

На блоке управления предусмотрен разъем для подключения радиоплаты SM, которая используется для активации входов и работы с блоком управления в удаленном режиме через пульт ДУ.

выход 1 «ПОШАГОВЫЙ РЕЖИМ»
выход 2 «ОТКРЫТЬ КАЛИТКУ»
выход 3 «ОТКРЫТЬ»
выход 4 «ЗАКРЫТЬ»

9) Технические характеристики

Компания Nice S.p.a. оставляет за собой право вносить изменения в технические характеристики данного изделия в целях его усовершенствования в любое время на свое усмотрение, при условии сохранения тех же функциональных характеристик и назначения изделия. Технические характеристики, приводимые в данном разделе, актуальны при температуре окружающей среды 20°C (± 5°C).

Модель:	А60	А60/V1
Питание	230В пер. тока ± 10%, 50 – 60Гц	120В пер. тока ± 10%, 50 - 60Гц
Максимальная мощность привода	300Вт [1,3А]	300Вт [2,5А]
Максимальная мощность проблесковой сигнальной лампы	100Вт	
Максимальная частота рабочих циклов	Не ограничена	
Максимальное время непрерывной эксплуатации	Не ограничено	
Максимальная сила тока (аксессуары, 24В пер. тока)	200мА	
Максимальная сила тока на выходе фототеста	75мА	
Максимальная мощность индикатора «Ворота открыты» (SCA, 24В пер. тока)	2Вт	
Макс. мощность электромеханического замка 12В пер. тока	15ВА	
Время работы	от 2,5 до 40 секунд (от 40 до 80 секунд с TLM)	
Время паузы	от 5 до 80 секунд	
Время задержки открытия (TRA)	0 или от 2,5 до 12 секунд	
Время задержки закрытия (TRC)	0 или от 2,5 до 12 секунд	
Время маневра «Балансировка»	от 0 до 8 секунд	
Регулировка усилия	от 0 до 100 %	
Рабочая температура	-20 x + 50°C	
Размер	280 x 220 x 110 мм	
Вес	1,9кг	
Класс защиты	IP55 (неповрежденная упаковка)	

- **До использования системы автоматизации в первый раз** попросите технического специалиста разъяснить вам, при каких обстоятельствах могут возникнуть остаточные риски, и потратьте несколько минут на чтение инструкций и предупредительных рекомендаций в справочном руководстве пользователя, предоставленном вам техническим специалистом. Сохраните это справочное руководство для дальнейшего использования и, если вы когда-либо решите продать систему автоматизации, передайте данное руководство новому владельцу.
- **Система автоматизации – это устройство, обеспечивающее максимально точное выполнение ваших команд;** безответственная или неправильная эксплуатация системы может привести к многочисленным опасностям: не включайте систему автоматизации, если люди, животные или какие-либо предметы находятся в радиусе работы системы.
- **Дети:** система автоматизации обеспечивает высокий уровень безопасности. Устройства обнаружения блокируют движение системы, если вблизи находятся люди или предметы, что гарантирует безопасность и надежность работы системы. Однако дети не должны играть рядом с системой. Не допускайте случайное использование системы детьми, оставив в их распоряжение пульт дистанционного управления: **это не игрушка!**
- **Фотоэлементы являются не столько устройствами безопасности, сколько вспомогательными устройствами.** Фотоэлементы разработаны на основе исключительно надежных технологий, но в экстремальных условиях в их работе могут появиться неисправности или сбои, которые не всегда очевидны.

По этой причине рекомендуется учитывать следующие советы:

- Заезжайте в гараж и выезжайте из него, только, когда створки ворот полностью открыты и находятся в неподвижном состоянии.
- **КАТЕГОРИЧЕСКИ ЗАПРЕЩАЕТСЯ** заезжать в гараж и выезжать из него, когда ворота закрываются.

Регулярно проверяйте исправность фотоэлементов и проводите плановое техническое обслуживание не реже, чем один раз в полгода.

- **Неисправности.** При обнаружении каких-либо отклонений в функционировании системы немедленно отключите ее от сети и выполните операцию разблокировки вручную. Не пытайтесь произвести ремонтные работы самостоятельно, обратитесь к своему техническому специалисту: в ожидание ремонта система может работать как обычные механические ворота (для этого необходимо выполнить разблокировку привода, как это описано ниже).
- **Техническое обслуживание.** Как и для всех остальных устройств, для системы автоматизации требуется регулярное техническое обслуживание, продлевающее ее срок службы и обеспечивающее абсолютную безопасность эксплуатации. Согласуйте с техническим специалистом план технического обслуживания. Компания Nice рекомендует проводить технический осмотр системы каждые полгода при нормальной бытовой эксплуатации, но этот период может быть изменен в зависимости интенсивности эксплуатации системы. Контроль состояния системы, работы по ее техническому обслуживанию и ремонтные работы должны производиться исключительно квалифицированным персоналом.
- Не вносите изменения в работу системы, не осуществляйте ее перепрограммирование и не вносите изменения в ее

параметры, даже если вы думаете, что у вас получится это сделать: ответственность за подобные работы лежит на вашем техническом специалисте.

- Результаты итоговых испытаний, планового технического обслуживания и любых ремонтных работ должны отражаться техническим специалистом в соответствующей документации, которая должна храниться у владельца системы.

Единственная работа, которую пользователь может осуществлять самостоятельно, и которую рекомендуется регулярно выполнять, это протирка стекол фотоэлементов и удаление листьев и камней, которые могут препятствовать работе системы автоматизации. Во избежание запуска системы автоматизации ворот перед началом работы разблокируйте систему автоматизации; протирайте ее только влажной губкой.

- **Утилизация.** По окончании срока службы система автоматизации должна быть демонтирована квалифицированными специалистами; повторное использование и утилизация материалов должны осуществляться в соответствии с требованиями местных нормативных актов.

- **В случае неисправности системы или при отключении питания.** В ожидании прибытия технического специалиста (или возобновления подачи электроэнергии, если в системе не предусмотрены аккумуляторные батареи), система может использоваться как любая другая система подобного типа, которая открывается вручную. Для этого необходимо произвести операцию разблокировки привода вручную (это единственная операция, которая может быть выполнена самим пользователем). Изделия компании Nice спроектированы так, чтобы данную операцию можно было легко выполнить без инструментов и значительных физических усилий.

- **Замена аккумулятора пульта ДУ.** Если через некоторое время при работе блока радиуправления начинают возникать ошибки, или если данный блок перестает работать, это может означать, что аккумулятор разрядился. (В зависимости от типа аккумулятора его заряда может хватать на период от нескольких месяцев до периода более года). Если аккумулятор разряжен, световой индикатор на пульте слабо мерцает, не горит вообще, или загорается только на короткое время. Перед тем как обратиться к техническому специалисту, попробуйте заменить ваш аккумулятор на аккумулятор исправного пульта: если причина неисправности в разряженном аккумуляторе, просто замените его на другой аккумулятор того же типа. Аккумуляторные батареи содержат загрязняющие вещества; их утилизация должна проводиться отдельно от других отходов в соответствии с методами, предусмотренными местными нормативными актами.

CE Declaration of Conformity and declaration of incorporation of partly completed machinery

Declaration in accordance with the following Directives: 2004/108/EC (EMC); 2006/42/EC (MD) annex II, part B

Note - The content of this declaration corresponds to that specified in the official document deposited at the Nice S.p.A. headquarters and, in particular, to the latest revised edition available prior to the publishing of this manual. The text herein has been re-edited for editorial purposes. A copy of the original declaration can be requested from Nice S.p.A. (prov. of Treviso) Italy.

Number: 152/A60

Revision: 5

Language: EN

Manufacturer's name:

Nice s.p.a.

Address:

Via Pezza Alta N°13, 31046 Rustignè di Oderzo (TV) Italy

Person authorized to compile

the technical documentation:

Nice s.p.a.

Address:

Via Pezza Alta N°13, 31046 Rustignè di Oderzo (TV) Italy

Type of product:

Control unit for 2 230V AC motor

Models:

A60

Accessories:

Radio receiver model SMXI

The undersigned, Mauro Sordini, in the role of Chief Executive Officer, declares under his sole responsibility, that the product specified above conforms to the provisions of the following directives:

- DIRECTIVE 2004/108/EC OF THE EUROPEAN PARLIAMENT AND COUNCIL of 15 December 2004 regarding the approximation of member state legislation related to electromagnetic compatibility, repealing directive 89/336/EEC, according to the following standards: EN 61000-6-2:2005, EN 61000-6-3:2007+A1:2011

The product also complies with the following directives according to the requirements envisaged for "quasi machinery":

Directive 2006/42/EC OF THE EUROPEAN PARLIAMENT AND COUNCIL of 17 May 2006 related to machinery, and which amends the directive 95/16/EC (recast).

- It is hereby declared that the pertinent technical documentation has been compiled in compliance with appendix VII B of directive 2006/42/EC and that the following essential requirements have been observed: 1.1- 1.1.2- 1.1.3- 1.2.1-1.2.6- 1.5.1-1.5.2- 1.5.5- 1.5.6- 1.5.7- 1.5.8- 1.5.10- 1.5.11
- The manufacturer undertakes to transmit to the national authorities, in response to a motivated request, all information regarding the "quasi-machine", while maintaining full rights to the related intellectual property.
- Should the "quasi machine" be put into service in a European country with an official language other than that used in this declaration, the importer is obliged to arrange for the relative translation to accompany this declaration.
- The "quasi-machine" must not be used until the final machine in which it is incorporated is in turn declared as compliant, if applicable, with the provisions of directive 2006/42/EC.

The product also complies with the following standards:

EN 60335-1:2012 EN 60335-2-103:2003+A11:2009

The product complies, within the constraints of applicable parts, with the following standards:

EN 13241-1:2003+A1:2011, EN 12445:2002, EN 12453:2002, EN 12978:2003+A1:2009

Oderzo, 3 July 2014

Ing. Mauro Sordini
(Chief Executive Officer)



Dichiarazione CE di conformità e dichiarazione di incorporazione di "quasi macchina"

Dichiarazione in accordo alle Direttive: 2004/108/CE (EMC); 2006/42/CE (MD) allegato II, parte B

Nota - Il contenuto di questa dichiarazione corrisponde a quanto dichiarato nel documento ufficiale depositato presso la sede di Nice S.p.a., e in particolare, alla sua ultima revisione disponibile prima della stampa di questo manuale. Il testo qui presente è stato riadattato per motivi editoriali. Copia della dichiarazione originale può essere richiesta a Nice S.p.a. (TV) I.

Numero: 152/A60

Revisione: 7

Lingua: IT

Nome produttore:

Nice s.p.a.

Indirizzo:

Via Pezza Alta N°13, 31046 Rustignè di Oderzo (TV) Italy

Persona autorizzata a costituire

la documentazione tecnica:

Nice s.p.a.

Indirizzo:

Via Pezza Alta N°13, 31046 Rustignè di Oderzo (TV) Italy

Tipo di prodotto:

Centrale di comando a 2 motori 230Va.c.

Modello:

A60

Accessori:

Ricevente radio mod. SMXI

Il sottoscritto Mauro Sordini in qualità di Amministratore Delegato, dichiara sotto la propria responsabilità che il prodotto sopra indicato risulta conforme alle disposizioni imposte dalle seguenti direttive:

- DIRETTIVA 2004/108/CE DEL PARLAMENTO EUROPEO E DEL CONSIGLIO del 15 dicembre 2004 concernente il ravvicinamento delle legislazioni degli Stati membri relative alla compatibilità elettromagnetica e che abroga la direttiva 89/336/CEE, secondo le seguenti norme armonizzate: EN 61000-6-2:2005, EN 61000-6-3:2007+A1:2011

Inoltre il prodotto risulta essere conforme alla seguente direttiva secondo i requisiti previsti per le "quasi macchine":

Direttiva 2006/42/CE DEL PARLAMENTO EUROPEO E DEL CONSIGLIO del 17 maggio 2006 relativa alle macchine e che modifica la direttiva 95/16/CE (rifusione)

- Si dichiara che la documentazione tecnica pertinente è stata compilata in conformità all'allegato VII B della direttiva 2006/42/CE e che sono stati rispettati i seguenti requisiti essenziali: 1.1- 1.1.2- 1.1.3- 1.2.1-1.2.6- 1.5.1-1.5.2- 1.5.5- 1.5.6- 1.5.7- 1.5.8- 1.5.10- 1.5.11
- Il produttore si impegna a trasmettere alle autorità nazionali, in risposta ad una motivata richiesta, le informazioni pertinenti sulla "quasi macchina", mantenendo impregiudicati i propri diritti di proprietà intellettuale.
- Qualora la "quasi macchina" sia messa in servizio in un paese europeo con lingua ufficiale diversa da quella usata nella presente dichiarazione, l'importatore ha l'obbligo di associare alla presente dichiarazione la relativa traduzione.
- Si avverte che la "quasi macchina" non dovrà essere messa in servizio finché la macchina finale in cui sarà incorporata non sarà a sua volta dichiarata conforme, se del caso, alle disposizioni della direttiva 2006/42/CE.

Inoltre il prodotto risulta conforme alle seguenti norme:

EN 60335-1:2012 EN 60335-2-103:2003+A11:2009

Il prodotto risulta conforme, limitatamente alle parti applicabili, alle seguenti norme:

EN 13241-1:2003+A1:2011, EN 12445:2002, EN 12453:2002, EN 12978:2003+A1:2009

Oderzo, 3 luglio 2014

Ing. Mauro Sordini
(Amministratore Delegato)





Nice SpA
Oderzo TV Italia
info@niceforyou.com

www.niceforyou.com