

# Installation Manual

# **E-Z GATE®**

---

# **SINGLE GATE OPENER**

## **⚠ WARNING! ⚠**

This equipment is similar to other gate or door equipment and meets or exceeds Underwriters Laboratory Standard 325 (UL 325). However, gate equipment has hazards associated with its use and therefore by installing this product the installer and user accept full responsibility for following and noting the installation and safety instructions. Failure to follow installation and safety instructions can result in hazards developing due to improper assembly. You agree to properly install this product and that if you fail to do so Gates That Open, LLC, shall in no event be liable for direct, indirect, incidental, special or consequential damages or loss of profits whether based in contract tort or any other legal theory during the course of the warranty or at any time thereafter. The installer and/or user agree to assume responsibility for all liability and use of this product releasing Gates That Open, LLC, from any and all liability. If you are not in agreement with this disclaimer or do not feel capable of properly following all installation and safety instructions you may return this product for full replacement value.

**READ ALL INSTRUCTIONS CAREFULLY AND COMPLETELY** before attempting to install and use this automatic gate opener. This gate opener produces a high level of force. Stay clear of the unit while it is operating and exercise caution at all times.

All automatic gate openers are intended for use on **vehicular gates only**.



This product meets and exceeds the requirements of UL 325, the standard which regulates gate opener safety, as established and made effective March 1, 2000, by Underwriters Laboratories Inc.



3121 Hartsfield Road • Tallahassee, Florida, USA 32303  
E-Z GATE/ Mighty Mule/GTO Sales: 1-800-543-GATE (4283) or (850) 575-0176 • Fax (850) 575-8912  
or E-Z GATE/ Mighty Mule/GTO Technical Service: 1-800-543-1236 or (850) 575-4144 • Fax (850)575-8950  
[www.mightymule.com](http://www.mightymule.com)

# Class Rating

The E-Z Gate Opener is intended for use with **vehicular swing gates in single family residential applications**. The opener is system certified to be in compliance with UL 325, current edition, as of publication date.

## Vehicular Gate Opener Class Categories:

**Residential Vehicular Gate Opener—Class I:** A vehicular gate opener (or system) intended for use in a home of one-to-four single family dwellings, or a garage or parking area associated therewith.

**Commercial/General Access Vehicular Gate Opener—Class II:** A vehicular gate opener (or system) intended for use in a commercial location or building such as a multifamily housing unit (five or more single family units), hotel, garages, retail store, or other building servicing the general public.

**Industrial/Limited Access Vehicular Gate Opener—Class III:** A vehicular gate opener (or system) intended for use in an industrial location or building such as a factory or loading dock area or other locations not intended to service the general public.

**Restricted Access Vehicular Gate Opener—Class IV:** A vehicular gate opener (or system) intended for use in a guarded industrial location or building such as an airport security area or other restricted access locations not servicing the general public, in which unauthorized access is prevented via supervision by security personnel.

<i>Converting Metric Units to English Equivalent</i>			
<b>When You Know</b>	<b>Multiply By</b>	<b>To Find</b>	<b>Symbol</b>
centimeters	0.3937	inches	in. (or ")
meters	3.2808	feet	ft. (or')
kilograms	2.2046	pounds	lb. (or #)
<i>Converting English Units to Metric Equivalent</i>			
<b>When You Know</b>	<b>Multiply By</b>	<b>To Find</b>	<b>Symbol</b>
inches	2.5400	centimeters	cm
feet	0.3048	meters	m
pounds	0.4535	kilograms	kg
<i>Converting Temperature</i>			
deg. Celsius	$(^{\circ}\text{C} \times 1.8) + 32$	deg. Fahrenheit	$^{\circ}\text{F}$
deg. Fahrenheit	$(^{\circ}\text{F} - 32) \div 1.8$	deg. Celsius	$^{\circ}\text{C}$

## FOR YOUR RECORDS

Please record the following information product serial number (located underneath the arm), be sure to **keep all receipts for proof of purchase**. Refer to this information when calling GTO for service or assistance with your automatic gate opener.

Serial Number: \_\_\_\_\_ Date of Purchase: \_\_\_\_\_

Place of Purchase: \_\_\_\_\_

# Table of Contents

Gate Opener Class Categories.....	inside cover
Units and Standards Conversion Chart.....	inside cover
<b>PLEASE READ THIS FIRST!</b> .....	page iv

<b>Important Safety Instructions</b> .....	<b>1</b>
Disconnecting the Opener.....	1
Important Safety Instructions for the Consumer .....	2
Required Safety Precautions for Gates .....	4
Secondary Means of Protection Against Entrapment.....	5
Warning Signs and Labels.....	6
<b>Technical Specifications</b> .....	<b>7</b>
<b>Before You Begin</b> .....	<b>8</b>
Solar Chart .....	8
Check Direction of Gate Swing.....	9
Prepare the Gate.....	9
<b>Installation</b> .....	<b>10</b>
Parts List.....	10
Installation Overview .....	12
Installation of Mounting Hardware.....	13
Mounting the Opener.....	17
Installation of the Closed Position Stop.....	17
<b>Powering the System</b> .....	<b>19</b>
Connecting the Battery .....	19
Detailed Wire Routing Diagram .....	20
Connecting the Transformer .....	21
Connecting Solar Panel(s).....	23
<b>Control Board Settings</b> .....	<b>23</b>
DIP Switches .....	23
Mounting the Receiver .....	24
Setting the Closed Position Limit.....	25
Obstruction Sensitivity and Auto-Close.....	26
<b>Personalize Your Remote Setting</b> .....	<b>27</b>
<b>Connecting Accessories</b> .....	<b>28</b>
Wiring Accessories .....	29
<b>Push-to-Open Installation Instructions</b> .....	<b>31</b>
<b>Maintenance &amp; Troubleshooting Guide</b> .....	<b>33</b>
<b>Warranty Repairs</b> .....	<b>35</b>
<b>Column Installation Information</b> .....	<b>36</b>

**KEEP THESE INSTRUCTIONS FOR FUTURE REFERENCE**

# PLEASE READ THIS FIRST

Thank you for purchasing an E-Z Gate Opener “do-it-yourself” automatic gate opener! When correctly installed and properly used, your E-Z Gate Opener will give you many years of reliable service. Please read the following information to ensure you have the correct system for your particular needs. Furthermore, this manual will enable you to properly install your E-Z Gate Opener.

The E-Z Gate Opener is designed for installation on a **Pull-To-Open single leaf gate** (gate that opens *into* the property). By purchasing an accessory bracket [E-Z GATE Push Bracket], the E-Z Gate Opener can accommodate a **Push-To-Open single leaf gate** (gate that opens *out* from the property). Please see Pull-To-Open/Push-To-Open diagram on page 9. The gates must not exceed 16 ft. or 350 lbs. per leaf (see Technical Specifications on page 1). The E-Z Gate Opener can be used on vinyl, aluminum, chain link, farm tube, and wrought iron gates.

**Use on solid (surface) gates is not recommended. Solid surface gates have a high resistance to the wind. If the wind is strong enough, the opener will obstruct and stop, blow fuses, or may damage the equipment.**

The E-Z Gate Opener features an **adjustable stall force** setting. This safety feature makes the gate stop and reverse direction within 2 seconds when it comes in contact with an obstruction. The MIN setting means the gate will exert the minimum force on an obstruction before it stops and reverses direction. **You will need to adjust the stall force for your particular application.**

The E-Z Gate Opener also has an **adjustable auto-close** feature. After the gate reaches the fully open position, it can be set for OFF, or to remain open up from 3 to 120 seconds before automatically closing. Pressing the transmitter button at any time after the gate opens fully will cause it to close immediately. The auto-close factory setting is OFF, meaning the gate will stay open until you press the transmitter (or keypad, etc.) again.

The E-Z Gate Opener accommodates extra transmitters, digital keypads, solar panels, and other access control products.

**PLEASE NOTE—If your application requires any of the following:**

- Column Mounting**
- Slide gates**
- Swing gates longer than 16 feet or weighing more than 350 pounds**
- Professional installation**

Please call GTO at 800-543-4283 or 850-575-0176 for information about our GTO/ACCESS SYSTEMS professional line of gate openers and accessories. Our Sales Department will be glad to give you the name and phone number of a GTO/ACCESS SYSTEMS dealer near you.

## **BEFORE YOU BEGIN TO INSTALL YOUR AUTOMATIC GATE OPENER:**

Read these instructions carefully and completely to become familiar with all parts and installation steps. You must read the installation manual for detailed instructions on gate opener safety and proper use of the gate opener.

All E-Z GATE openers run off of 12 volt battery power. This installation requires the battery charge to be maintained by either a 18 volt transformer **OR** an optional solar panel connected by 16 gauge, low voltage, stranded, dual conductor, direct burial wire.


**NEVER USE TRANSFORMER AND SOLAR PANEL(S) AT THE SAME TIME!**  
**It will damage the control board**

# IMPORTANT SAFETY INSTRUCTIONS



Because automatic gate openers produce high levels of force, consumers need to know the potential hazards associated with improperly designed, installed, and maintained automated gate opener systems. *Keep in mind that the gate opener is just one component of the total gate operating system.* Each component must work in unison to provide the consumer with convenience, security, and safety.

This manual contains various safety precautions and warnings for the consumer. Because there are many possible applications of the gate opener, the safety precautions and warnings contained in this manual cannot be completely exhaustive in nature. They do, however, provide an overview of the safe design, installation, and use of this product. **CAREFULLY READ AND FOLLOW ALL SAFETY PRECAUTIONS, WARNINGS, AND INSTALLATION INSTRUCTIONS TO ENSURE THE SAFE SYSTEM DESIGN, INSTALLATION, AND USE OF THIS PRODUCT.**

Precautions and warnings in this manual are identified with this  warning symbol. The symbol identifies conditions that can result in damage to the opener or its components, serious injury, or death.

**Because automatic gate openers are only part of the total gate operating system, it is the responsibility of the consumer to ensure that the total system is safe for its intended use.**

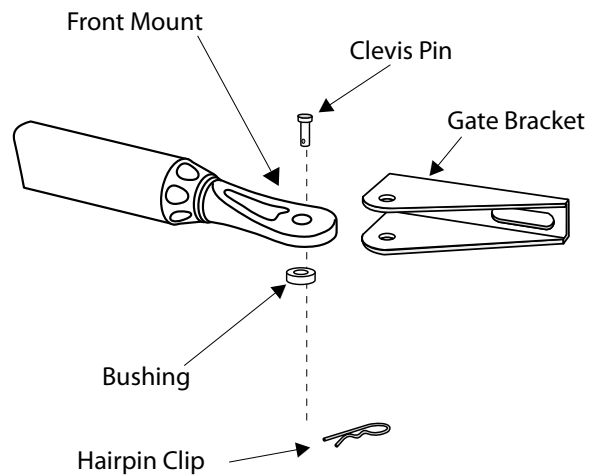
## How To Manually Open and Close the Gate:

**⚠ CAUTION:** The gate can be opened and closed manually when the opener is disconnected. **ONLY** disconnect the opener when the opener power switch is OFF and the gate is NOT moving. *Because the E-Z gate opener is battery powered, disconnect the opener ONLY when the power switch on the control box is turned OFF. Unplugging the transformer does not turn power to the opener OFF.*

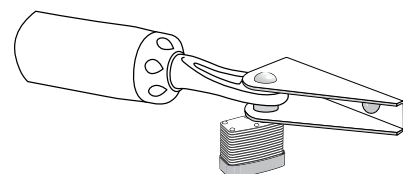
### Disconnecting the Opener

1. Turn opener power switch (Control Box) OFF.
2. Remove hairpin clip, clevis pin, and bushing from both the front and rear mounting points.
3. Remove the opener from the mount.

**IMPORTANT: NEVER allow opener arm to hang by the front mount — it will break from the arm weight.**



NOTE: Substitute an E-Z GATE Pin Lock (See accessory insert or visit Walmart.com) for the clevis pin on the front mount of the gate opener to prevent unauthorized removal of the opener from the gate.





# IMPORTANT SAFETY INSTRUCTIONS

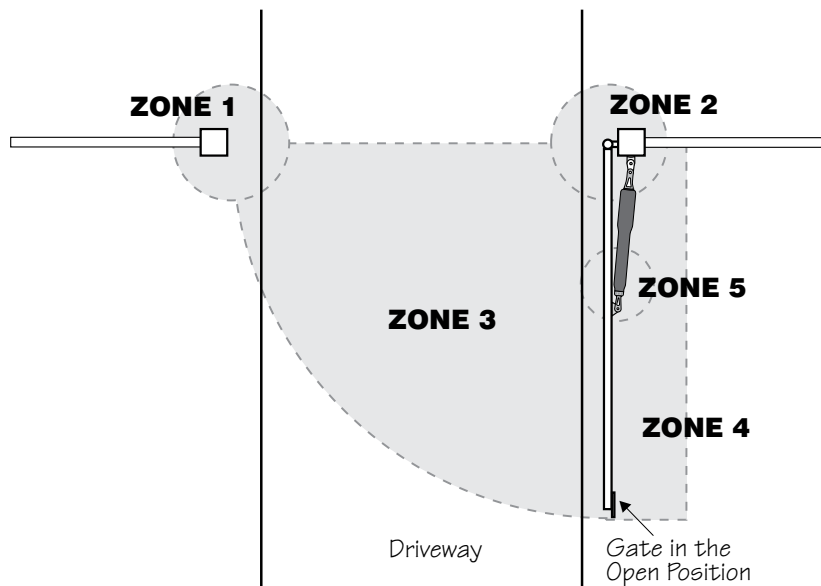
## For The Consumer

### **WARNING:** To reduce the risk of injury or death:

1. **READ AND FOLLOW ALL INSTRUCTIONS.** Failure to meet the requirements set forth in the instruction manual could cause severe injury or death, for which the manufacturer cannot be held responsible.
2. When designing a system that will be entered from a highway or main thoroughfare, make sure the system is placed far enough from the road to prevent traffic congestion.
3. The gate must be installed in a location that provides adequate clearance between it and adjacent structures when opening and closing to reduce the risk of entrapment. Swinging gates must not open into public access areas.
4. The gate and gate opener installation **must comply with any applicable local codes.**

### I. Before Installation

1. Verify this opener is proper for the type and size of gate, its frequency of use, and the proper class rating.
2. Make sure the gate has been properly installed and swings freely in both directions. Repair or replace all worn or damaged gate hardware prior to installation. A freely moving gate will require less force to operate and will enhance the performance of the opener and safety devices used with the system.
3. Review the operation of the system to become familiar with its safety features. Understand how to disconnect the opener for manual gate operation (page iii).
4. This gate opener is intended for vehicular gates ONLY. A separate entrance or gate must be installed for pedestrian use (page vi).
5. Always keep people and objects away from the gate and its area of travel. **NO ONE SHOULD CROSS THE PATH OF A MOVING GATE.**
6. Pay close attention to the diagram below and be aware of these areas at all times.



### Entrapment Zones for a proper Pull-To-Open installation:

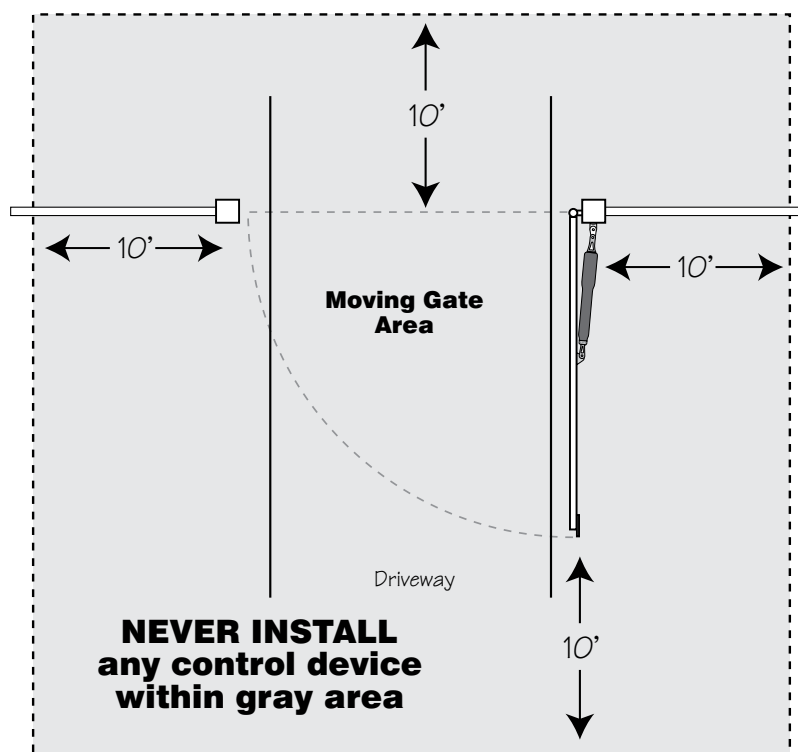
- Zone 1** – leading edge of the gates.
- Zone 2** – between the gate and the gate post.
- Zone 3** – the path of the gate.
- Zone 4** – the space between the gate in the open position and any object such as a wall, fence, etc.
- Zone 5** – pinch points between the opener and gate.

# IMPORTANT SAFETY INSTRUCTIONS



## II. During Installation

1. Install the gate opener on the inside of the property and fence line. **DO NOT** install an opener on the outside of the gate where the public has access to it.
2. Be careful with moving parts and avoid close proximity to areas where fingers or hands could be pinched.
3. Devices such as contact sensors (safety edges) and non contact sensors (photo beams) provide additional protection against entrapment.
4. If push buttons or keypads are installed, they should be within sight of the gate, yet located at least 10 feet from any moving part of the gate (see diagram below). **Never install any control device where a user will be tempted to reach through the gate to activate the gate opener.**
5. Do not activate your gate opener unless you can see it and can determine that its area of travel is clear of people, pets, or other obstructions. Watch the gate through its entire movement.
6. Secure outdoor or easily accessed gate opener controls in order to prohibit unauthorized use of the gate.



## III. After Installation

1. Attach the **warning signs** (included) to each side of the gate to alert the public of automatic gate operation. It is **your responsibility** to post warning signs on both sides of your gate. If any of these signs or warning decals become damaged, illegible or missing, replace them immediately. Contact GTO for free replacements.
2. The gate is automatic and could move at any time, posing a serious risk of entrapment. No one should be in contact with an activated gate when it is moving or stationary.
3. Do not attempt to drive into the gate area while the gate is moving; wait until the gate comes to a complete stop.
4. Do not attempt to “beat the gate” (drive through) while the gate is closing. This is extremely dangerous.
5. Do not allow children or pets near your gate. **Never let children operate or play with gate controls.** Keep ALL gate controls away from children and unauthorized users; store controls where children and unauthorized users do not have access to them.
6. **KEEP GATE AND GATE OPENER PROPERLY MAINTAINED.** Always turn power to opener OFF before performing any maintenance. Regularly grease the gate hinges. Apply silicone spray to a soft, dry cloth and clean the push-pull tube at least once a month.



# IMPORTANT SAFETY INSTRUCTIONS

7. To operate this equipment safely, YOU must know how to disconnect the opener for manual gate operation (page 1). If you have read the instructions and still do not understand how to disconnect the opener, contact the GTO Service Department.
8. Disconnect the opener **ONLY** when the power is **TURNED OFF** and the gate is **NOT** moving.
9. Make arrangements with local fire and law enforcement for emergency access.
10. Distribute and discuss copies of the **IMPORTANT SAFETY INSTRUCTIONS** section of this manual with all persons authorized to use your gate.
11. **IMPORTANT: Save these safety instructions. Make sure everyone who is using or will be around the gate and gate opener are aware of the dangers associated with automated gates. In the event you sell the property with the gate opener or sell the gate opener, provide a copy of these safety instructions to the new owner.**

Should you lose or misplace this manual, a copy can be obtained by downloading one from [mightymule.com](http://mightymule.com), or by contacting Gates That Open, LLC., at 3121 Hartsfield Road, Tallahassee, Florida 32303 or by calling 1-800-543-4283 and requesting a duplicate copy. One will be provided to you free of charge.

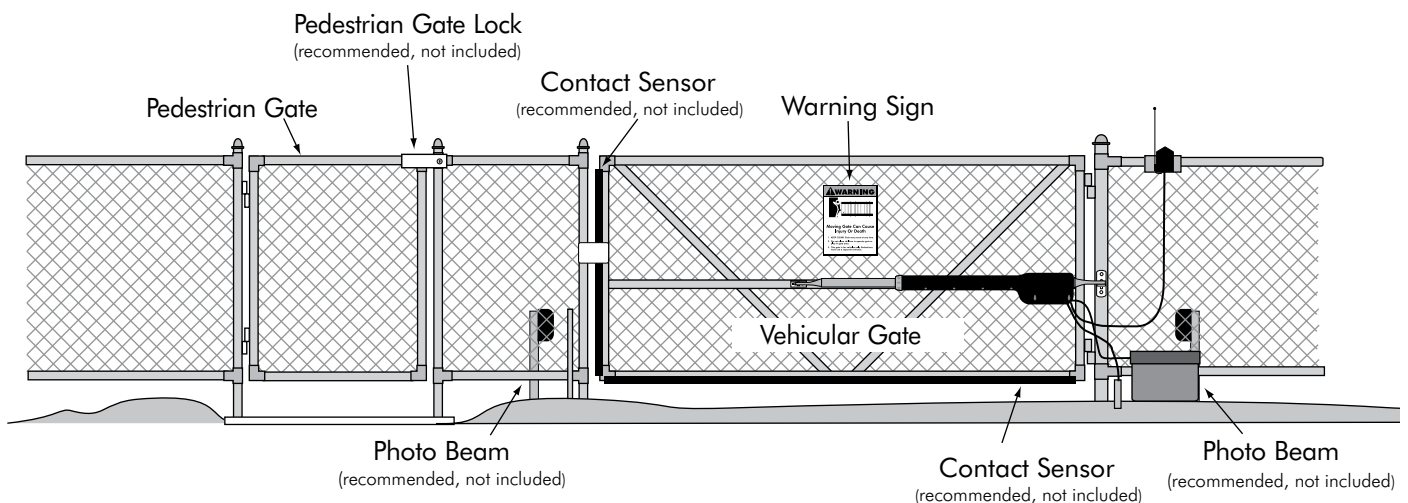
## Required Safety Precautions for Gates

### Install Warning Signs

**Warning signs** alert people of automatic gate operation and are **required** when installing the E-Z Gate Opener. The warning signs included must be installed on both sides of each gate. Furthermore, a walk-through gate must be installed if pedestrian traffic is expected near the vehicular gate.

### Entrapment Protection

GTO's inherent obstruction settings, even when properly adjusted, **may not be sensitive enough to prevent bodily injury in some circumstances**. For this reason, safety devices such as safety edge sensors (or photoelectric sensors), which stop and reverse gate direction upon sensing an obstruction, are suggested for enhanced protection against entrapment.



*Warning labels should be placed at the locations specified.  
If any of them are missing, immediately contact GTO for replacements.*



# IMPORTANT SAFETY INSTRUCTIONS

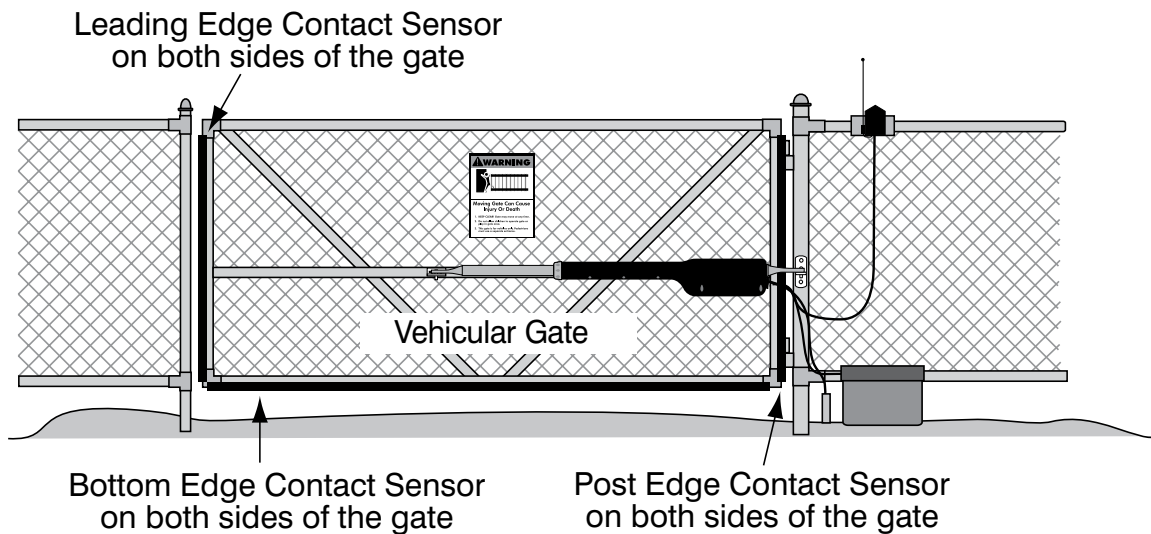


## Secondary Means of Protection Against Entrapment

As specified by Gate Opener Safety Standard, UL 325 (30A.1.1), automatic gate openers shall have an inherent entrapment sensing system, and shall have *provisions for, or be supplied with*, at least one independent secondary means to protect against entrapment. The E-Z Gate Opener utilizes **Type A**, an inherent (i.e., built-in) entrapment sensing system as the **primary** type of entrapment protection. Also, the E-Z Gate Opener has **provisions for** the connection of **Type B2** protection to be used as the **secondary** type of entrapment protection, if desired.

1. For gate openers utilizing a contact sensor (e.g., safety edge sensor– Type B2) in accordance with UL 325 (51.8.4 [i]):
  - A. One or more contact sensors shall be located at the leading edge, bottom edge, and post edge, both inside and outside of a vehicular swing gate system.
  - B. A hard wired contact sensor shall be located and its wiring arranged so that the communication between the sensor and the gate opener is not subjected to mechanical damage.
  - C. A wireless contact sensor such as one that transmits radio frequency (RF) signals to the gate opener for entrapment protection functions shall be located where the transmission of the signals are not obstructed or impeded by building structures, natural landscaping or similar obstruction. A wireless contact sensor shall function under the intended end-use conditions.

You may want to consider adding photo beams to your installation. Photo Beams provide a “non contact” means of entrapment protection. Call 1-800-543-GATE (4283) for more information.



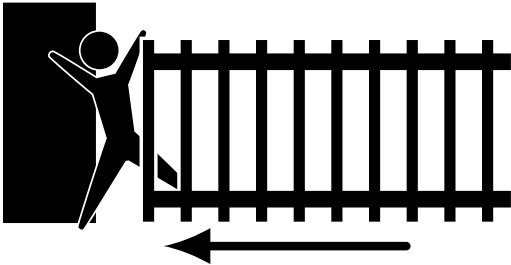
## ENTRAPMENT ALARM (UL 325; 30A.1.1A)

The E-Z Gate Opener is designed to stop and reverse within 2 seconds when the gate comes in contact with an obstruction. Additionally, these openers are equipped with an **audio entrapment alarm** which will activate if the unit obstructs **twice** while opening or closing. This alarm will sound for a period of 5 minutes, or until the opener receives an intended signal from a hard wired entry/exit source (e.g. push button control or keypad) and the gate returns to a fully open or fully closed position. Turning the power switch on the control box OFF and back ON will also deactivate the alarm. Wireless controls such as transmitters and wireless keypads will not deactivate the alarm.



# IMPORTANT SAFETY INSTRUCTIONS

## **WARNING**



### **Moving Gate Can Cause Injury Or Death**

- 1. KEEP CLEAR! Gate may move at any time.**
- 2. Do not allow children to operate gate or play in gate area.**
- 3. This gate is for vehicles only. Pedestrians must use a separate entrance.**

Warning signs (2 enclosed) to be installed on each side of the gate (3-5 feet above the bottom of the gate)



Product identification label (1) installed under rear mount on arm.

# E-Z GATE<sup>®</sup>

## SINGLE GATE OPENER

**TO MANUALLY OPEN AND CLOSE THE GATE**

1. Turn opener power switch OFF.
2. Disconnect front or rear mount from mounting bracket.
3. Pull opener away from mounting bracket and move gate.

Disconnect opener **ONLY** when the power switch is OFF and the gate is not moving.



## WARNING



### MOVING GATE!



### Can Cause Injury or Death

1. KEEP CLEAR! Gate may move at any time.
2. Do not allow children to operate gate or play in gate area.
3. This gate is for vehicles only. Pedestrians must use separate entrance.

Maximum Gate: 350 lbs. (158.8 kg); 16 ft. (4.9 m) • Voltage: 12 Vdc; Frequency: 0Hz; Power: 25W • Class I Vehicular Swing Gate Operator

Logo and warning labels (2) installed on each side of opener housing

If any of these signs or warning decals become damaged, illegible or missing, replace them immediately. Contact GTO at 1-800-543-GATE (4283) for free replacements.

# Technical Specifications

## E-Z GATE OPENER

### DRIVE

- Low friction screw drive (linear actuator) rated for -5 °F to +160 °F (-20 °C to +71 °C).
- Powered by a 12 V motor with integral case hardened steel gear reducer. Motor speed reduced to 260 rpm.
- Maximum opening arc of 110°. Approximate opening time (90°): 18 seconds, depending on weight of gate.

### POWER

- The system is powered by a 12 Vdc automotive or marine battery.
- Battery charge is maintained by a 120 Vac, 18 Vac output transformer (40 VA) through the E-Z GATE control board or by optional E-Z GATE Solar Panels; the panel should generate minimum of 5 Watts at 300 mA.  
**IMPORTANT: Never use both transformer and solar panel— this will damage the battery and control board.**
- One (1) blade-style fuse is rated for 15 A.

**NOTE: The transformer should not be directly connected to any battery. Do not replace fuses with higher ampere rated fuses; doing so will void your warranty and may damage your control board.**

### CONTROL

- E-Z GATE DIP switches are set for single leaf, pull-to-open gate installations. DIP switches can be adjusted to accommodate push-to-open gates.
- A circuit on the control board regulates charging. "Sleep draw" is 25 mA; "active draw" is 2 to 5 A.
- Auto-memorization of digital transmitter code.
- E-Z GATE RF remote tuned to 318 MHz.
- Opener length with push-pull tube fully retracted is 37 1/4", mounting point to mounting point. Maximum stroke is 19".
- Adjustable auto-close timer (OFF to 3–120 seconds), and obstruction sensitivity (stall force).
- Power terminal block accommodates a transformer or solar panels.
- Accessory terminal block fully compatible with all E-Z GATE access controls.
- Control board allows connection of safety edge sensors and photoelectric sensors.
- Audio entrapment alarm sounds if unit encounters an obstruction twice while opening or closing.

### OPERATIONAL CAPACITY

- The Gate Capacity Chart shows approximate cycles, per day, you can expect from the E-Z Gate Opener when powered with a transformer. Actual cycles may vary slightly depending upon the type and condition of gate and installation.

#### E-Z Gate Opener Gate Capacity /Cycle Chart

*Estimated number of daily cycles, based on use with a transformer and one(1) 12 Volt battery.*

		Number of Cycles Per Day					
Gate Weight	350 lbs.	145	135	125	115	NR	NR
	250 lbs.	155	145	135	125	115	NR
	150 lbs.	165	155	145	135	125	115
	100 lbs.	175	165	155	145	135	125
	50 lbs.	185	175	165	155	145	135
		5' - 6'	8'	10'	12'	14'	16'
		Gate Length					

*An operation cycle is one full opening and closing of the gate.*

\* These specifications are subject to change without notice.

**NOTE: BALL BEARING HINGES SHOULD BE USED ON ALL GATES WEIGHING OVER 250 LBS.**

To determine the number of cycles the gate opener will perform using solar panels, please see the specifications listed on page 18.

# Before You Begin

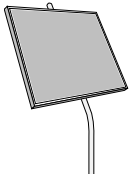
## 1. Determine Charging Options for Battery: Transformer OR Solar

**NEVER USE TRANSFORMER AND SOLAR PANEL(S) AT THE SAME TIME!**  
**It will damage the control board!**

### IMPORTANT:

- The 12 volt automotive/marine battery must be charged by either connecting the transformer (included) or solar panel kit to the control board.
- The transformer is designed for indoor use. If the transformer can be plugged only into an outside electrical outlet, a weatherproof cover/housing (available at local electrical supply stores) must be used.
- If your gate is more than 1000 ft. from an AC power source, you will need to use at least 5 watts solar charging power to charge the battery. Refer to the Solar Panel and Gate Activity chart below.
- All low voltage wire used with the E-Z Gate Opener must be 16 gauge, dual conductor, stranded, direct burial wire. **Do not** run more than 1000 ft. of wire.

## Solar Panel and Gate Activity Chart



The table and map illustrate the maximum number of gate cycles to expect per day in a particular area when using from 5 to 30 watts of solar charging power. The figures shown are for winter (minimum sunlight) and do not account for the use of any accessory items.

**Accessories connected to your system will draw additional power from the battery and will require additional solar panels.**

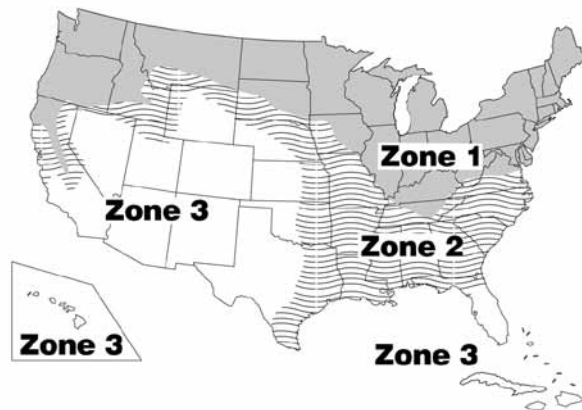
NOTE: UP to 250 ft. of 16 gauge dual conductor, stranded, direct burial wire may be used to allow installation of solar panels in direct sunlight.

### Solar Charging Options

- 10 Watt E-Z GATE Solar Panel
- 5 Watt E-Z GATE Solar Panel

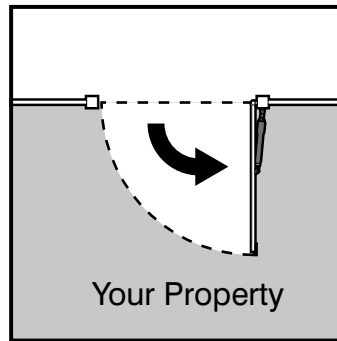
(See accessory insert or visit Walmart.com)

Single Gate Winter Ratings	Zone 1	Zone 2	Zone 3
12 v single gate (5 watts) solar charger	4	8	13
12 v single gate (10 watts) solar charger	8	16	26
12 v single gate (15 watts) solar charger	11	20	30
12 v single gate (20 watts) solar charger	14	28	38
12 v single gate (25 watts) solar charger	17	36	46
12 v single gate (30 watts) solar charger	20	44	54

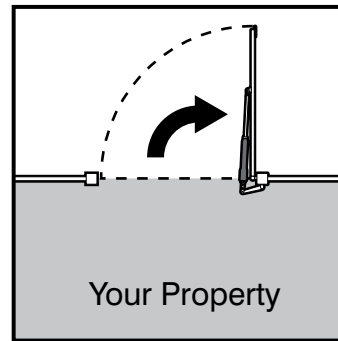


## 2. Check Direction of Gate Swing

The E-Z GATE Opener is designed for **PULL-TO-OPEN** installations. **PUSH-TO-OPEN** installations require a Push-To-Open bracket [E-Z GATE Push Bracket]. Push-to-Open Installation Instructions begin on page 31.



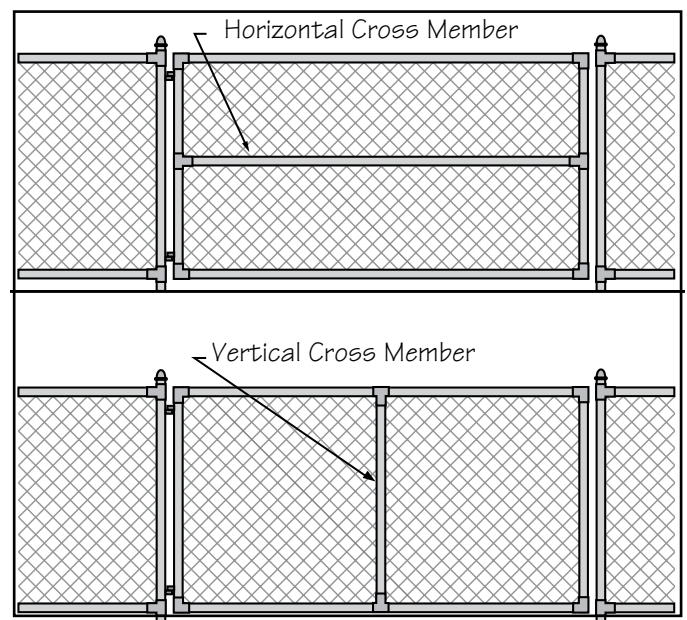
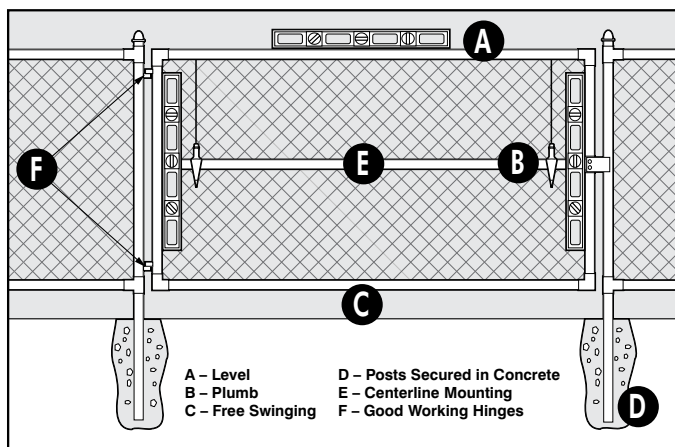
**Pull-To-Open**  
(arm retracts to open)



**Push-To-Open**  
(arm extends to open)

## 3. Prepare the Gate

- The gate must be plumb, level, and swing freely on its hinges.
- Wheels must **NOT** be attached to the gate.
- The gate must move throughout its arcs **without binding or dragging on the ground**.
- Note that a gate **over 250 lbs. should have ball bearing hinges** with grease fittings.
- The gate post should be secured in the ground with concrete so it will minimize twist or flex when the opener is activated.
- Make sure there is a stable area for mounting the gate bracket (this may require the addition of a horizontal or vertical cross member).



# Parts List – Opener and Mounting Hardware

**Customer Support Card (1)**

**Remotes (2)**

**Warning Signs (2)**

**Receiver (1)**

**Gate Bracket (1)**

**Gate Opener (1)**

**Closed Position Stop Plate (1)**

**Post Bracket (2)**

**Post Pivot Bracket (1)**

**Transformer (1)**

**10' Battery Wire Harness (1)**

**8" Nylon Cable Tie (14)**

**3/8" Bushings (2)**

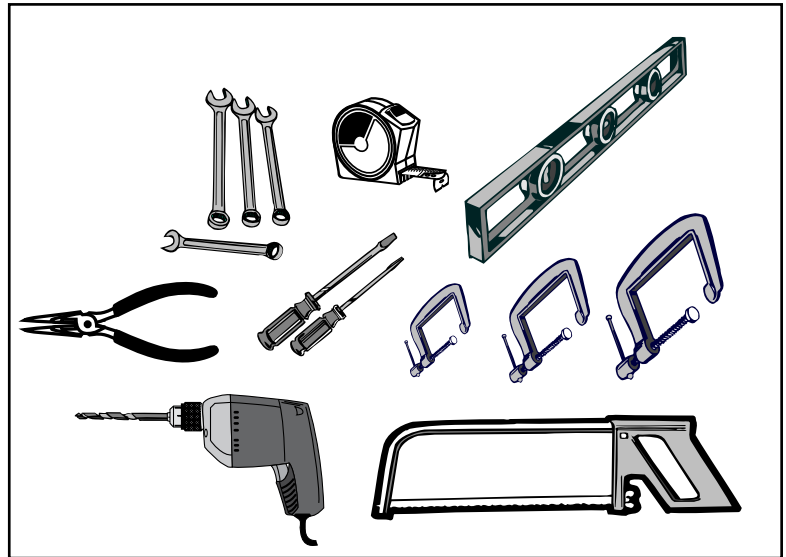
**Hardware Bag Contents**

- 3/8" x 8" Bolt (4)**
- 3/8" x 2-3/4" Bolt (2)**
- 3/8" x 2" Bolt (1)**
- 5/16" x 1-3/4" Bolt (1)**
- 3/8" x 1-1/2" Clevis Pin (2)**
- Hairpin Clip (2)**
- 3/8" Washer (9)**
- 3/8" Lock Washer (7)**
- 5/16" Washer (1)**
- 3/8" Nut (7)**
- 5/16" Nut (1)**
- 2" Mounting Screw (5)**

# Tools and Materials

## Tools Needed:

- Power Drill
- Open End Wrenches — 1/2" and 9/16"
- Adjustable Wrench
- 3/8" Drill Bit
- Hacksaw or Heavy Duty Bolt Cutters
- Small Flat Bladed Screwdriver
- Large Phillips Screwdriver
- Tape Measure
- Level
- Wire Strippers
- C-Clamps — small, medium, and large
- Center Punch
- Hammer (for center punch)
- Extra person will be helpful



---

## Materials You May Need for the Installation:

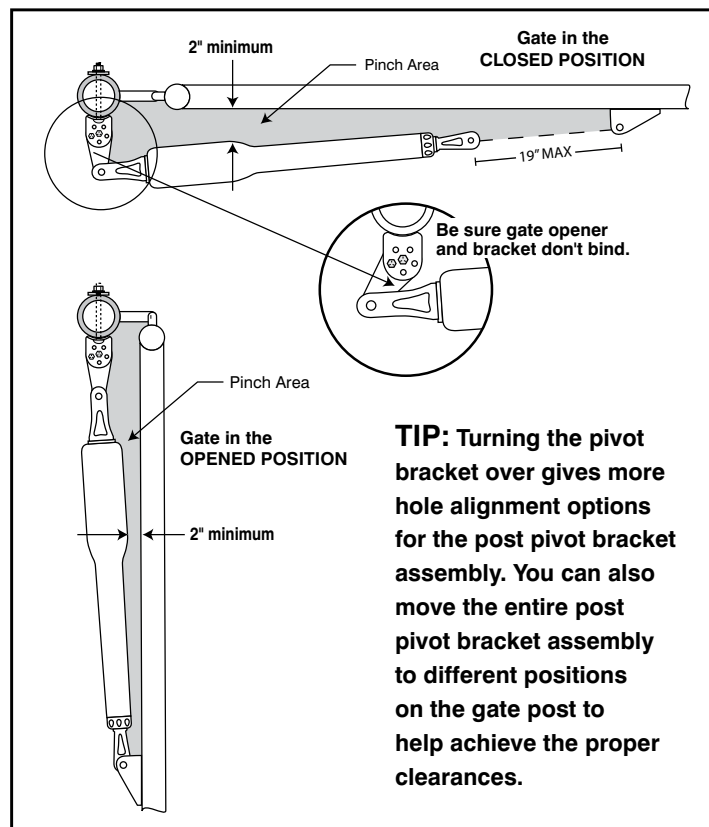
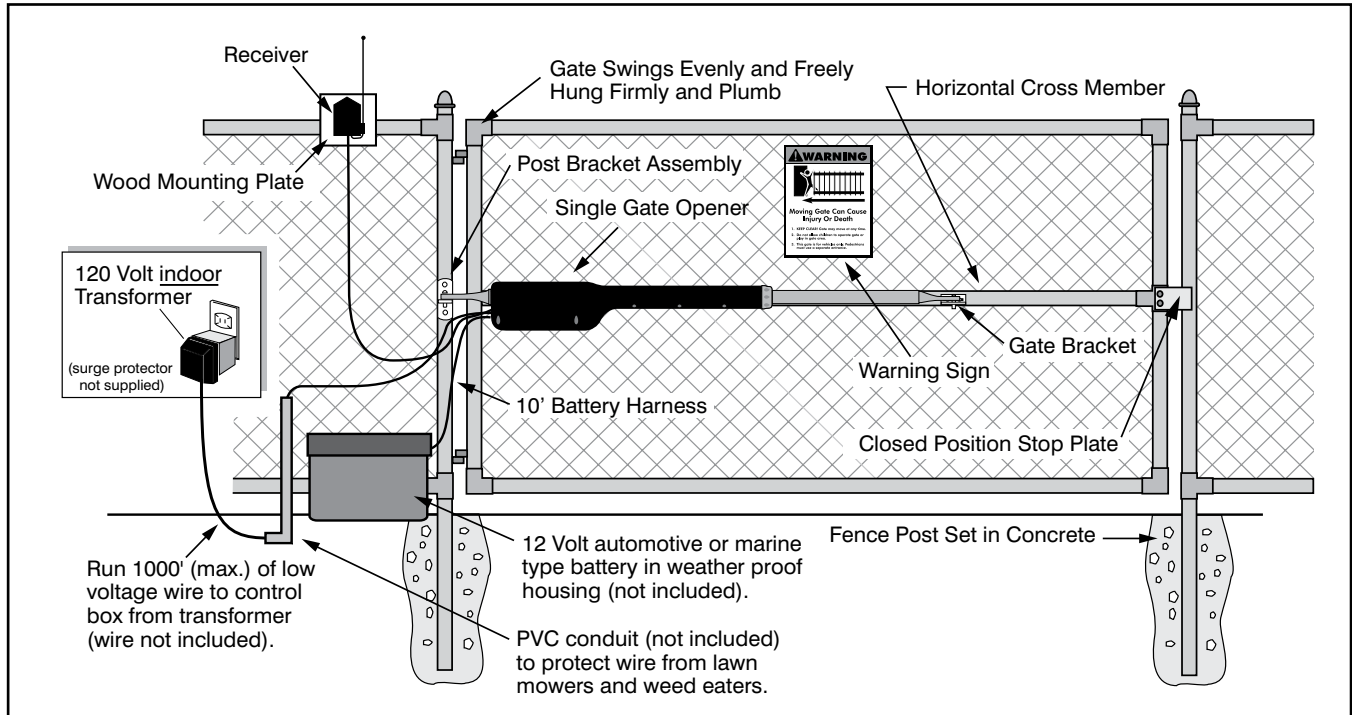
These items are **NOT included** with the gate opener kit. Some of these items can be purchased separately.

- Low voltage wire will be needed to run from the transformer to the opener control board; length depends upon the distance between the transformer power supply and the control arm.
- If your gate is more than 1000' away from an AC power source you will need to use at least one 5 Watt solar panel to charge the 12 Volt battery.
- PVC conduit for protecting wiring.
- Push-To-Open Brackets [E-Z GATE Push Bracket] are required if gates open out from property.
- Materials to reinforce thin walled tube or panel gates.
- Depending on the type of gate, a horizontal cross member or mounting plate may be needed to mount the front of the opener and gate bracket to the gate.
- Some installations may require muffler clamps for the gate bracket. (page 13)
- Surge protection for transformer. (page 22)
- Weather proof outlet is required if transformer is plugged into outside outlet. (page 22)
- Some types of installations require U-Bolts for closed position stop plate.

# Installation Overview for Pull-To-Open Gates

**PUSH-TO-OPEN** installation instructions begin on page 31.

The diagram shown below is an example of a pull-to-open installation on a chain link fence and single gate. Mounting the opener on a masonry column requires special procedures; see **Column Installation Information** on page 36 if you intend to mount the opener on a column. Furthermore, if you have a push-to-open gate, you will need to purchase a **push-to-open bracket (E-Z Gate Push Bracket)** to properly configure your system. See **Push to Open Installation** on page 31 before proceeding.





# INSTALLATION OF MOUNTING HARDWARE

We recommend you position the opener near the **centerline** of the gate to keep the gate from twisting and flexing and to avoid backsplash from rain water.

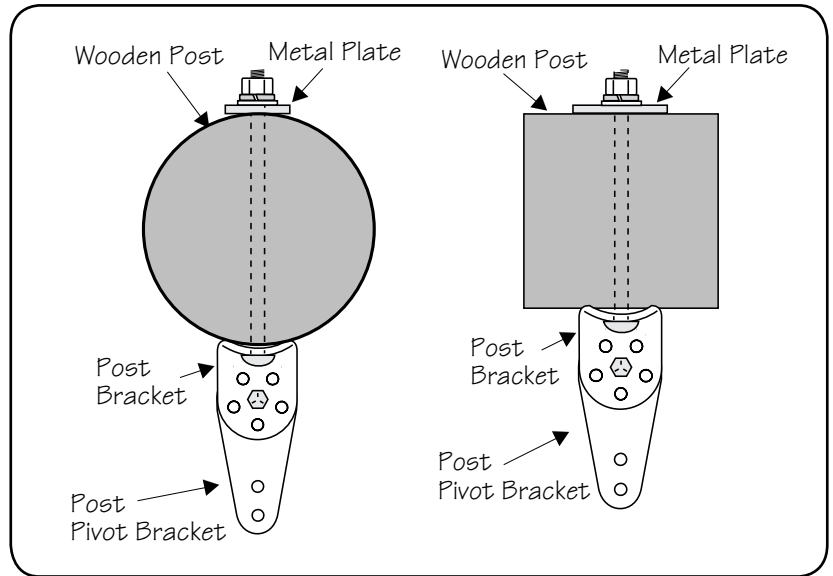
## The Post Bracket Assembly

The position of the post bracket assembly determines the leverage and efficiency of the opener. The post bracket assembly position also sets the clearance between the opener and the gate in the open and closed positions.

The post bracket works well for installations on round and square fence posts. Because the post bracket carries the entire thrust of the active opener, **bolts must completely penetrate the post.**

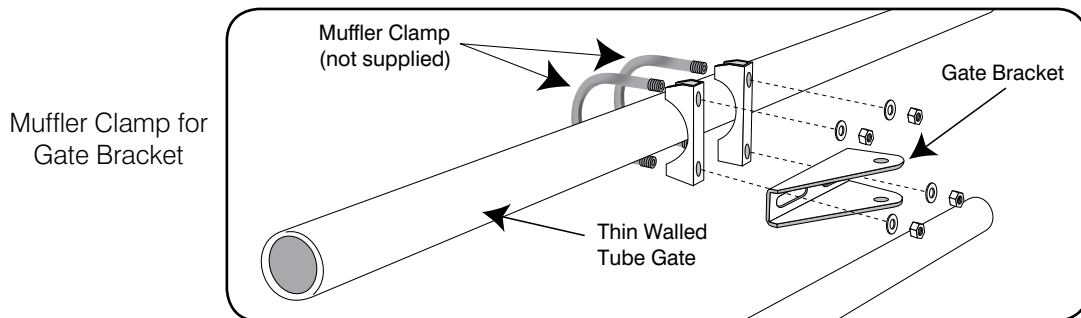
On wood posts, place a metal plate or washer (not supplied) between the nuts and the post to prevent the thrust of the opener from pulling the bolts and washers out of the wood.

The post pivot bracket may not be necessary on posts larger than 6" in diameter. Fence posts smaller than 6" in diameter or 6" square should be made of metal instead of wood to remain stable while the opener is moving the gate.



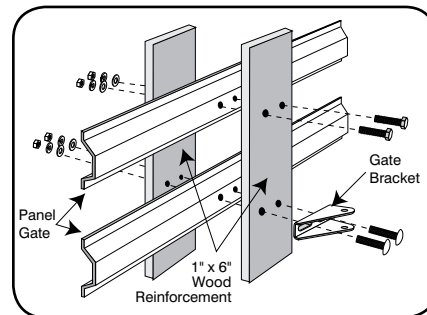
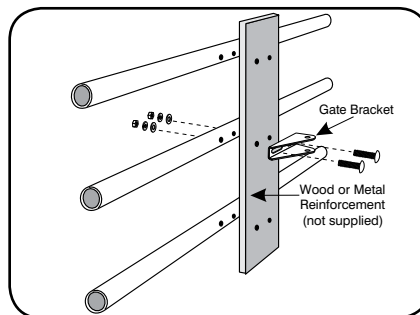
## Reinforcing Gates for the Gate Brackets

We **recommend** using a muffler clamp, wood, or metal, to reinforce thin-walled tube gates, or wood to reinforce panel gates as shown. These reinforcement methods will prevent damage to the opener and gate. Additional hardware may be needed depending on the installation.



Muffler Clamp for Gate Bracket

Wood or Metal Reinforcement

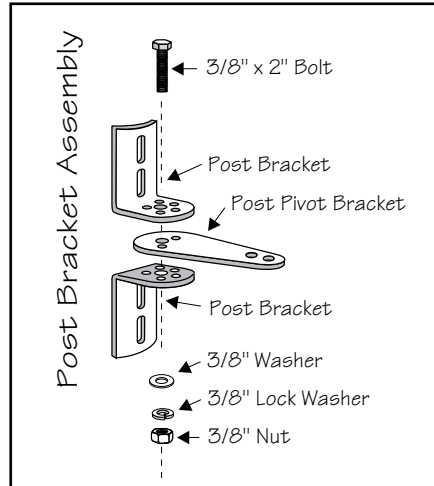


1" x 6" Wood Reinforcement

# Install Post Bracket Assembly and Gate Bracket

## Step 1

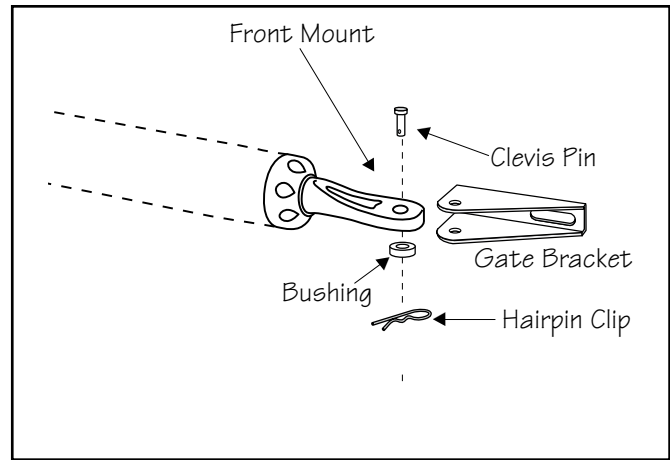
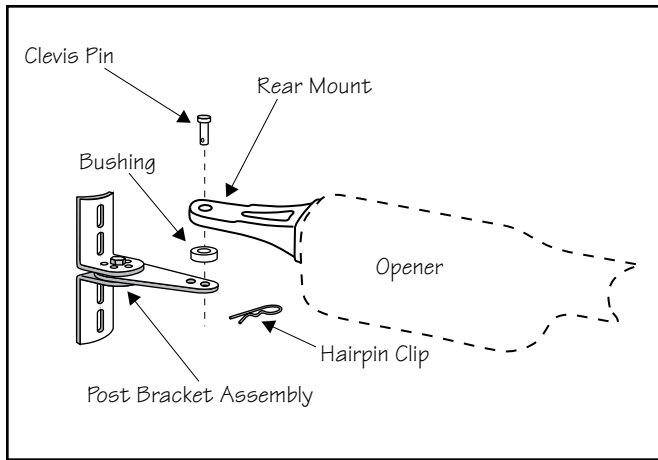
Insert the 3/8" x 2" bolt through the center hole of the post brackets and post pivot bracket as shown. Fasten a 3/8" lock washer, 3/8" washer and 3/8" nut on the end of the bolt. **DO NOT overtighten** the nut because the post pivot bracket will have to be adjusted later.



**NOTE:** The following steps are intended for **pull-to-open** gate installations. If you are mounting your opener on a push-to-open gate (e.g., a gate on a sloped driveway) you will need to purchase an **E-Z GATE Push Bracket**. Also, see **Push-to-Open Installation** beginning on page 31.

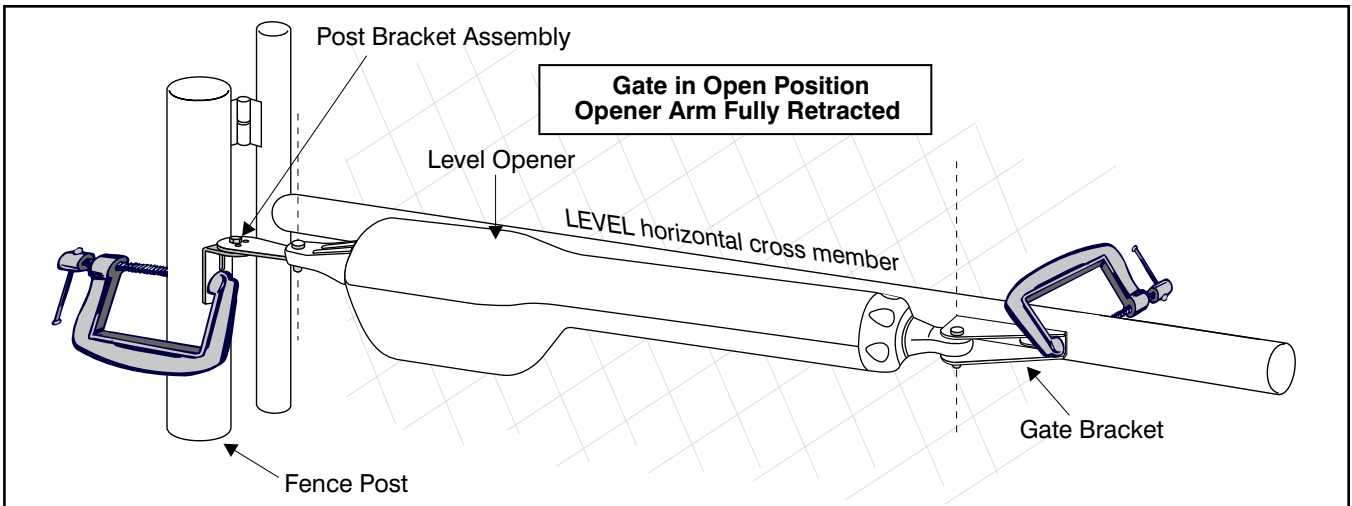
## Step 2

Attach post bracket assembly and gate bracket to the opener with the clevis pins and bushings. Secure the clevis pins with hairpin clips.



## Step 3

With the gate in the open position (up to 110° from its closed position), and the opener fully retracted, adjust the post bracket assembly and gate bracket until the opener is level. While holding the opener level, use C-clamps to **temporarily** keep the post bracket assembly and gate bracket in their respective positions on the fence post and gate.



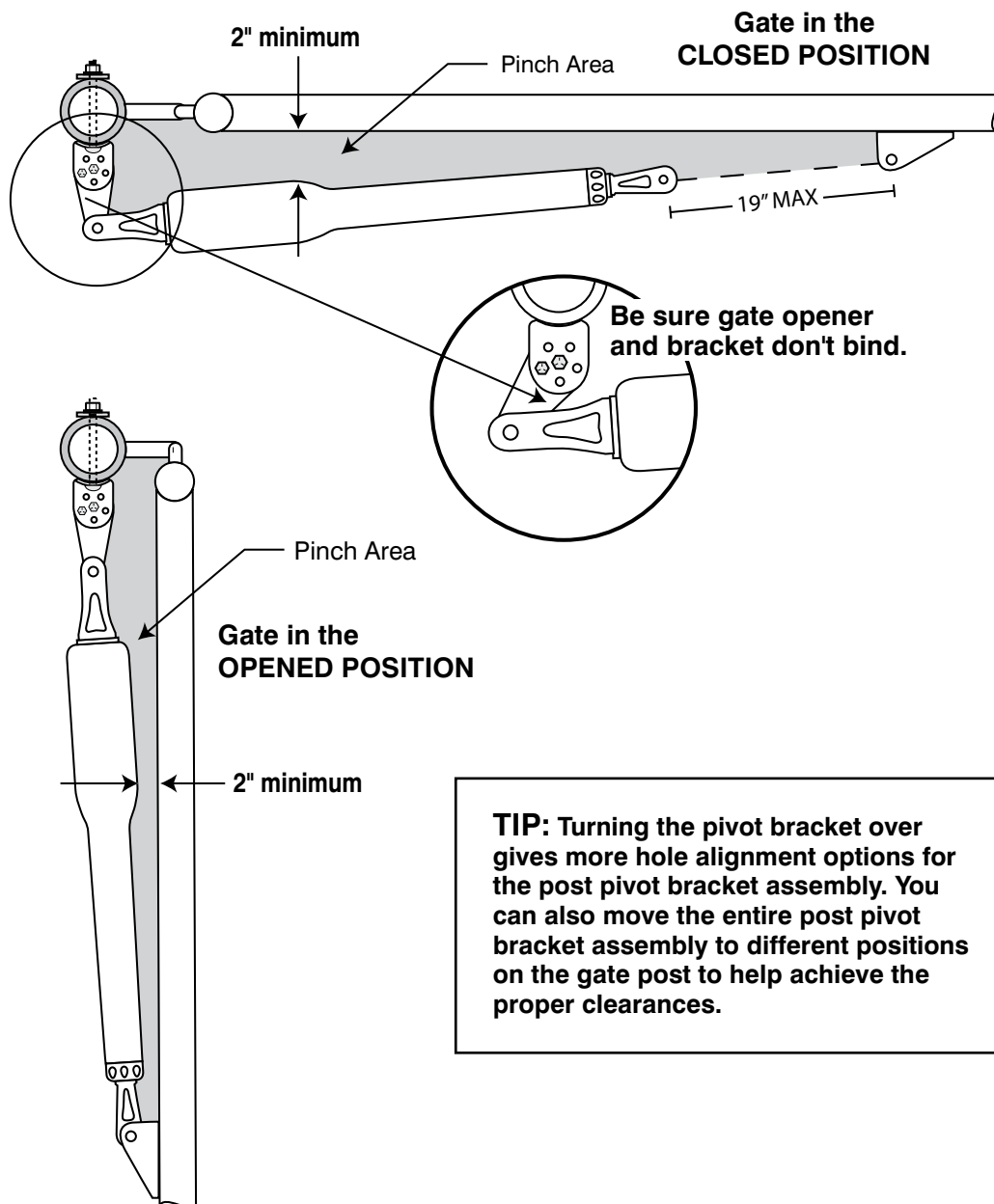
**IMPORTANT:** While determining the mounting point for the post pivot bracket assembly, be sure that the position allows for minimum 2 inches of clearance between the gate and the opener in both the open and closed positions, as shown in the diagrams below. This clearance will give the opener the most efficient leverage point for opening and closing the gate and more importantly provides the least possible pinch area.

### Step 4

When you feel that you have the best position for the post pivot bracket in the open position, insert the 5/16" x 1-3/4" bolt through the aligned holes of the post bracket and post pivot bracket to hold it in place. Remove the clevis pin from the front mount and while supporting the gate opener, swing the gate and gate opener to the closed position. With the gate and gate opener in the closed position check the clearance and be sure that the gate opener is not binding at the post pivot bracket.

If you don't have 2 inches of clearance or the gate opener is binding on the post pivot bracket, remove the 5/16" x 1-3/4" bolt and readjust the pivot bracket until you can achieve these important clearances.

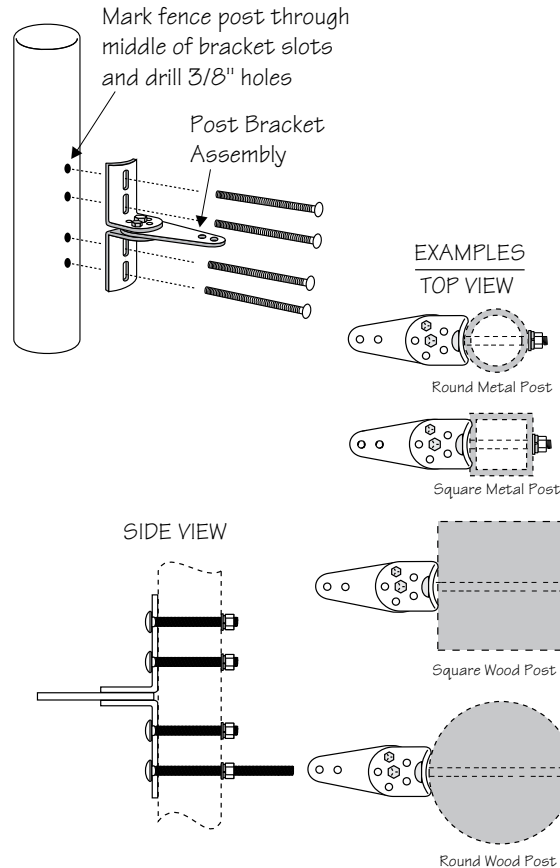
With the post pivot bracket in the optimum position for clearance and freedom of movement, reattach the opener to the gate bracket in the open position and recheck the gate opener level and make sure the brackets are clamped securely.



# Installing the Post Bracket Assembly and Gate Bracket

## Step 1

Mark reference points for bolt holes on the fence post through middle of bracket slots. Mark reference points for bolt holes on the gate cross member through middle of gate bracket slots. Marking reference points in this manner allows room for adjustment when mounting the post bracket assembly and gate bracket. After marking your reference points, remove the opener and brackets from the fence and gate.



## Step 2

Drill  $\frac{3}{8}$ " holes into fence post as marked.

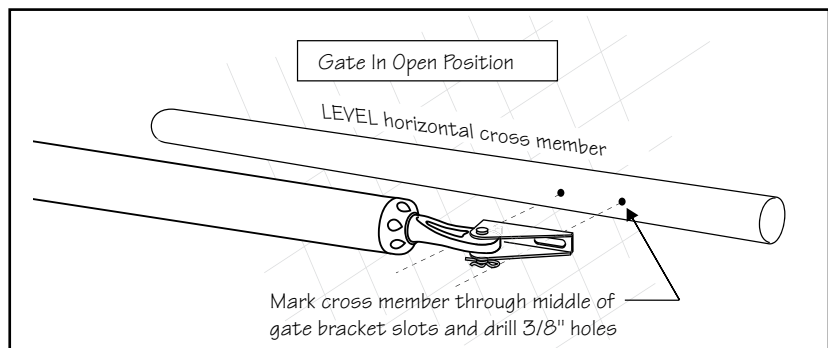
## Step 3

Fasten post bracket assembly to the fence post using (4)  $\frac{3}{8}$ " x 8" bolts, washers, lock washers, and nuts (provided).

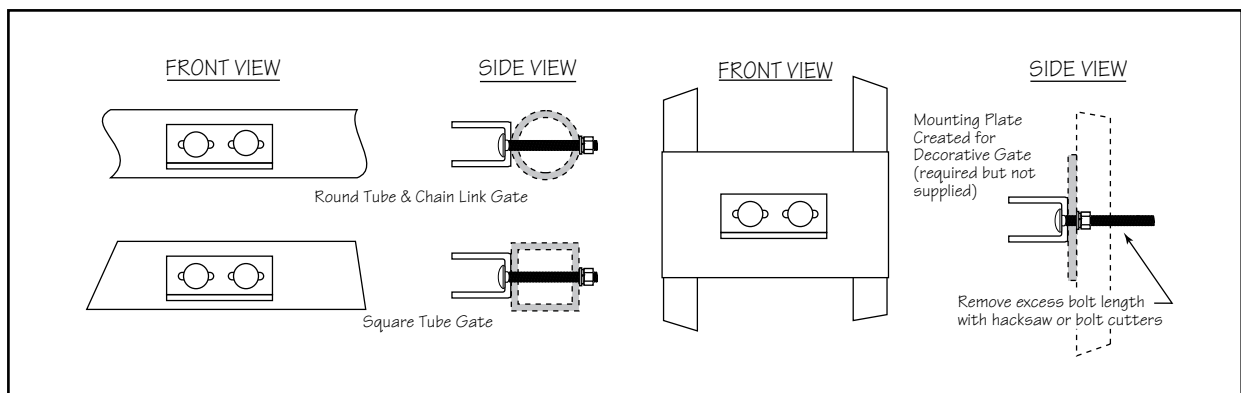
**NOTE:** In cases where the fence post has a diameter larger than 6", **threaded rods or carriage bolts longer than 8"** (not supplied) must be used.

## Step 4

Drill  $\frac{3}{8}$ " holes into the gate cross member as marked. Mount gate bracket using (2)  $\frac{3}{8}$ " x 2  $\frac{3}{4}$ " bolts, washers, lock washers, and nuts (provided).



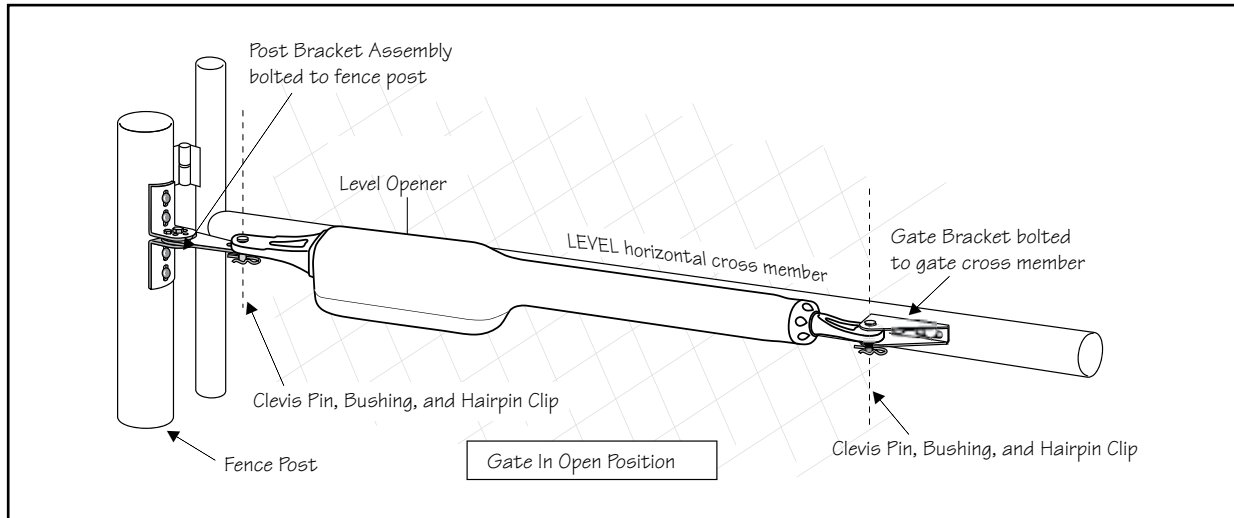
## Gate Bracket Mounting Examples



# MOUNTING THE OPENER

## Step 5

Attach the opener to the securely bolted post bracket assembly and gate bracket using clevis pins, bushings, and hairpin clips, or optional Pin Locks (See accessory insert or go to Walmart.com). Verify that the opener is level and adjust the post bracket assembly if necessary.



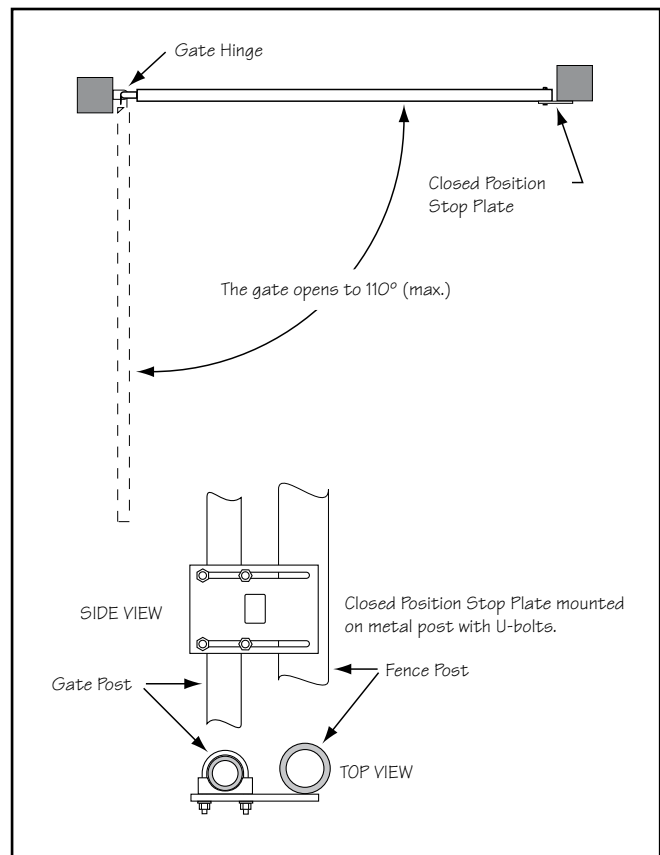
## Installation of the Closed Position Stop

The E-Z Gate Opener firmly holds the gate in the closed position using the closed position stop plate. The closed position stop helps stabilize the gate leaf in the closed position.

## Step 6

Remove hairpin, clevis pin, and washer from front mount and close the gate (remember to support opener). Fasten the *closed position stop plate* to the end of the gate frame on the **gate centerline**, but **do not** tighten it completely. Slide the stop plate toward the fence post until they touch (*see illustration*). Once you have moved the stop plate to the correct position, tighten its hardware completely.

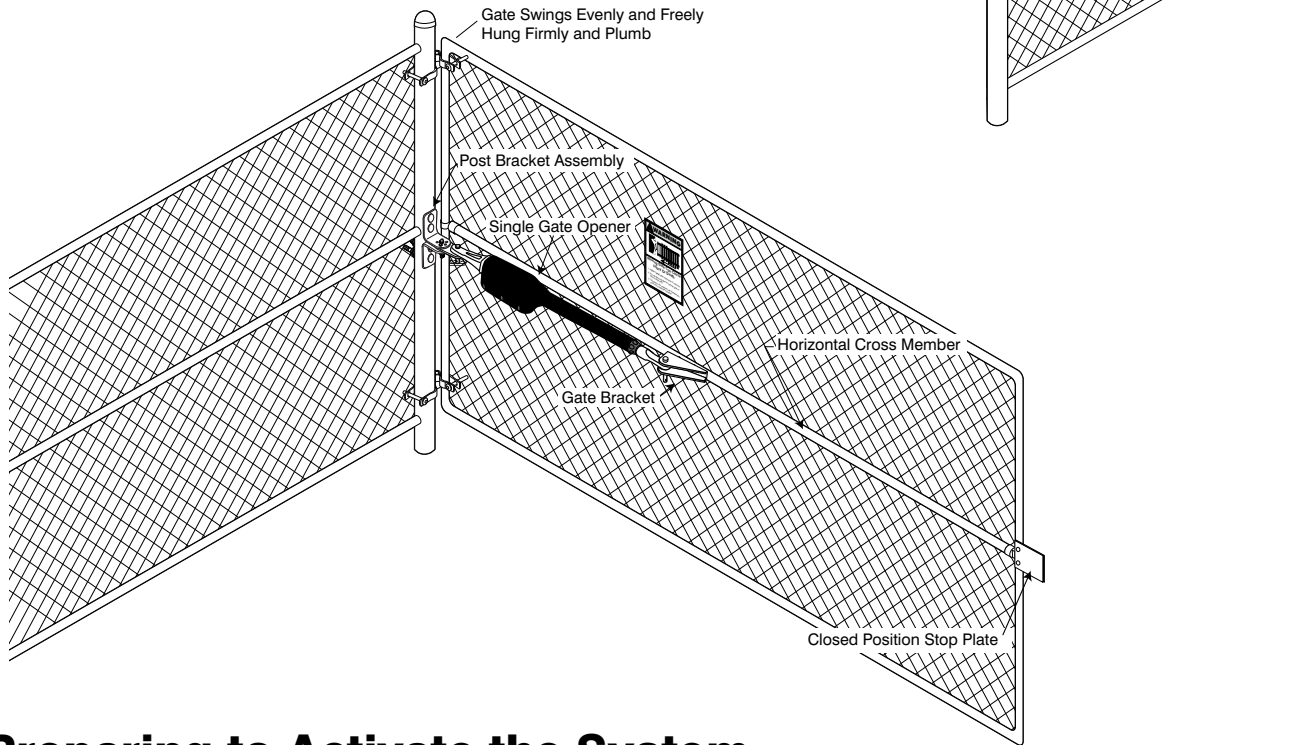
Use the appropriate hardware for your type of gate (use U-bolts if you have a tube or chain link gate; wood or lag screws for wood gates; etc.). This hardware is not provided.



**At this stage of the installation, the opener should be installed on the gate and the closed position stop plate should be in place.**

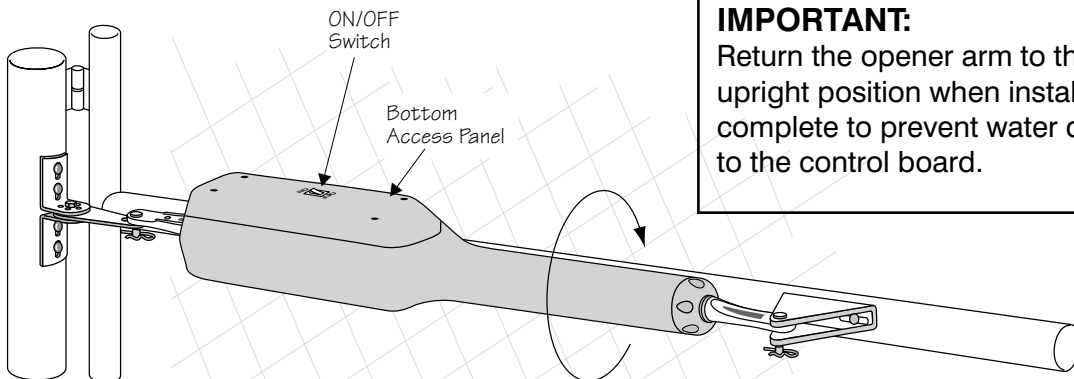
## Check List

- The gate is plumb, level, and swings smoothly on its hinges.
- A plate or support was added for the gate bracket (if necessary).
- The opener is level and mounted on the centerline of the gate.
- All hardware is tightened at this time.



## Preparing to Activate the System

In order to have easy access to the control board during the rest of the installation, remove the opener and remount it upside down.



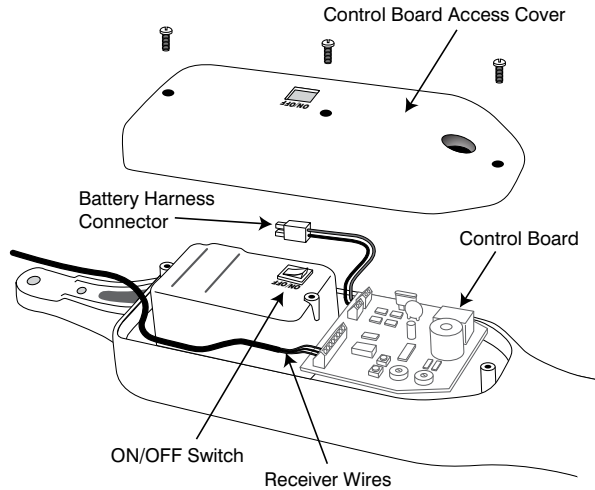
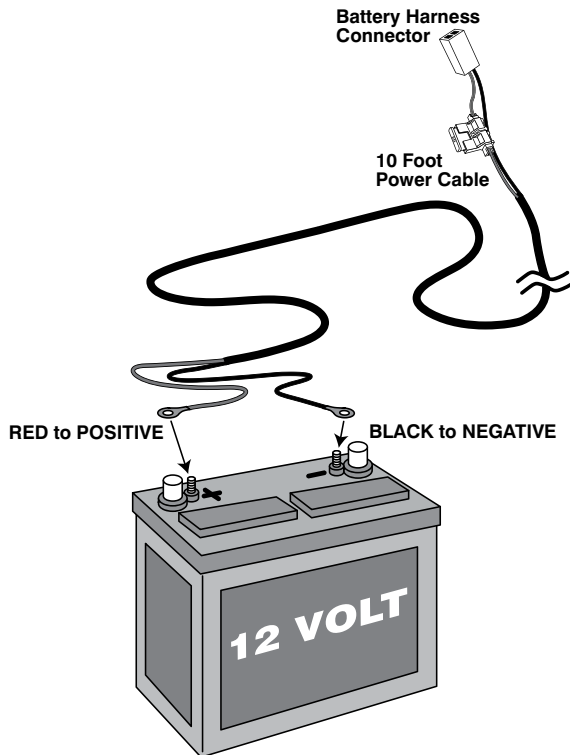
### **IMPORTANT:**

Return the opener arm to the upright position when installation is complete to prevent water damage to the control board.

# CONNECTING THE BATTERY

## Step 1

With the opener mounted in the upside down position remove the Control Board Access Panel on the bottom of the opener arm.



## Step 2

Place the 12 Volt automotive or marine type battery and its weatherproof case within 6 feet of the fence post where the opener arm is mounted.

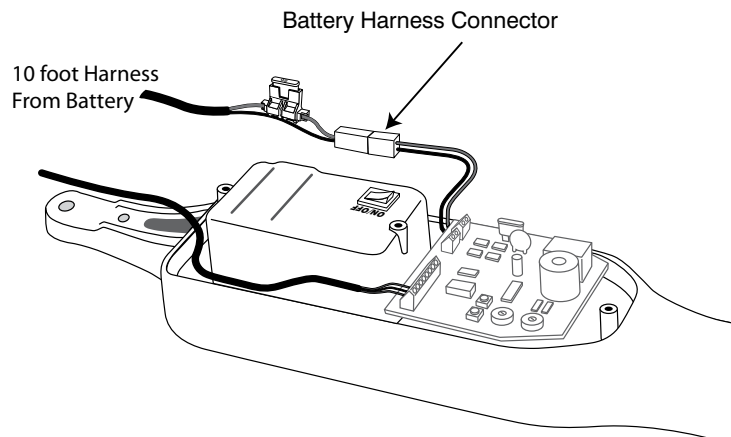
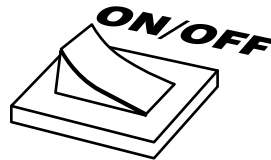
## Step 3

Attach the 10 foot battery harness wires provided to the terminals of the battery. Take care to attach the BLACK wire to the NEGATIVE terminal and the RED wire to the POSITIVE terminal. Reverse connection will cause damage to the control board.

## Step 4

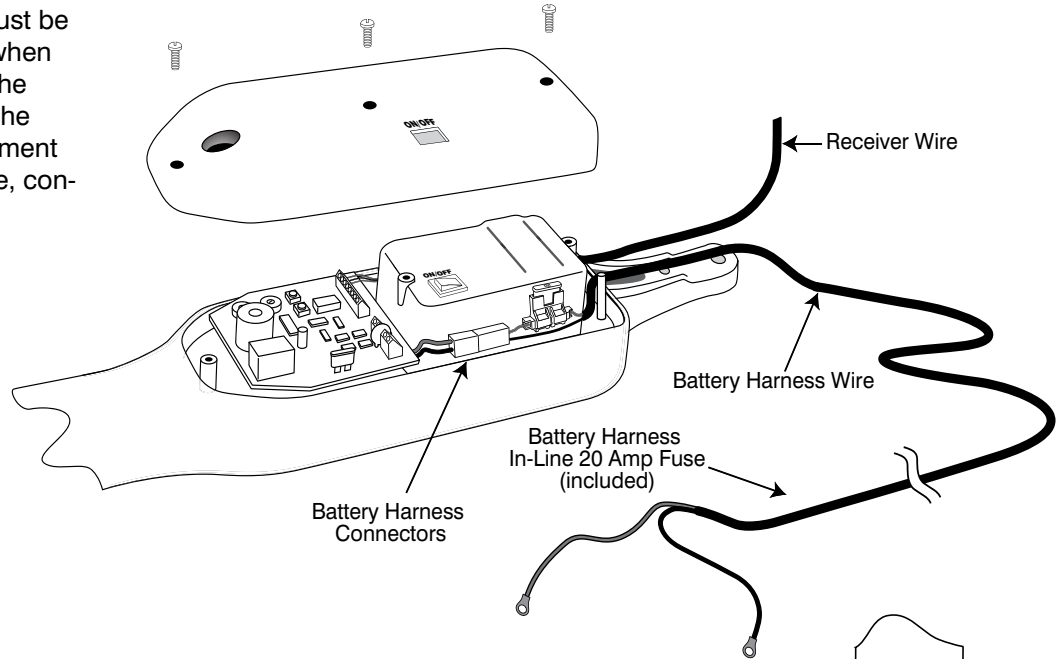
**IMPORTANT:** Make sure the power switch on the opener arm is in the OFF position.

Run the plug end of the Wire Harness wire up to the opener arm and plug it into the battery harness connector coming from the control board.



# IMPORTANT: Detailed Wire Routing Diagrams

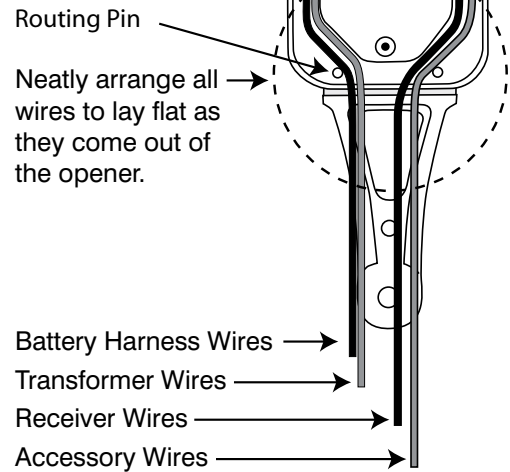
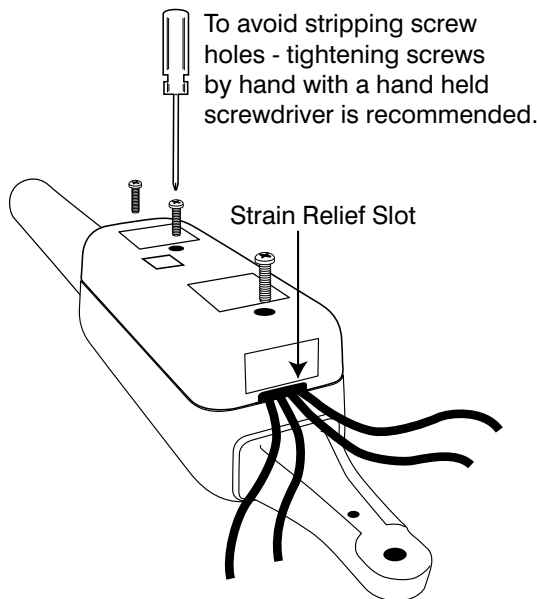
The battery harness wire has an in-line 20 Amp fuse that must be placed inside the opener when connecting the battery to the opener. The illustration to the right shows the best placement for the battery harness wire, connector and in-line fuse.



The wires from the battery harness, receiver, transformer or solar panel, and any accessories that have been installed must be routed down the sides of the opener and out the strain relief slot in the back of the opener.

It is **IMPORTANT** that the wires lay flat and run inside the routing pins at the back of the opener and out the strain relief slot without being pinched when the control board access cover is replaced. See the illustrations to the right and below.

## E-Z GATE Single Wire Routing





# CONNECTING THE TRANSFORMER

**IMPORTANT:** Never connect the transformer and a solar panel to the opener control board at the same time. It will damage the control board.

**IMPORTANT:** If you are using SOLAR PANEL(S) to charge the opener battery, skip this section and go to "Connecting Solar Panel(s)" section on page 23.

## IMPORTANT INFORMATION ABOUT LOW VOLTAGE WIRE

The only wire acceptable for use with GTO products is 16 gauge dual conductor, stranded, direct burial wire. This particular gauge enables the transformer to provide an adequate charge through the control board to the battery at distances up to 1000 ft.

**DO NOT** use telephone wire or solid core wire. Unlike stranded wire, these types of wire are inadequate for use with your gate opener system.

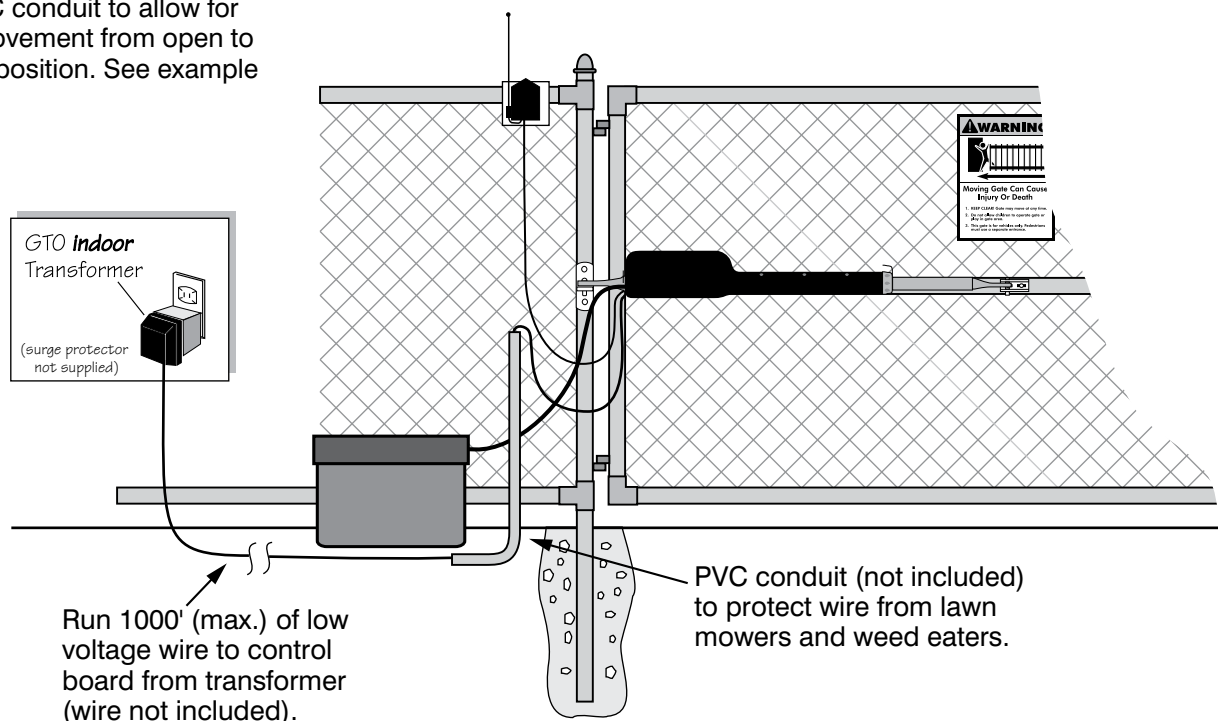
**NEVER** splice wires together. Splicing permits corrosion and seriously degrades the wire's ability to carry an adequate current.

## Step 5

Select the 120 Volt electrical outlet into which you will plug the transformer. Lay the low voltage wire in a trench following a path from the selected electrical outlet to the opener arm. Wires coming up from the ground should be run through PVC conduit to protect them from lawn mowers, weed eaters, and grazing animals. Be sure to bury the wire laid in the trench.

## Step 6

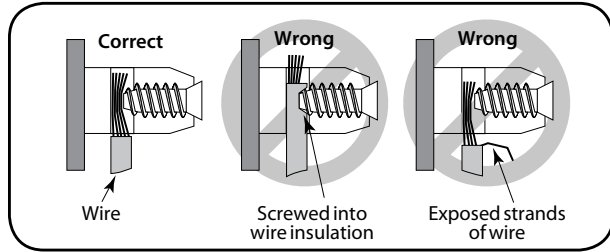
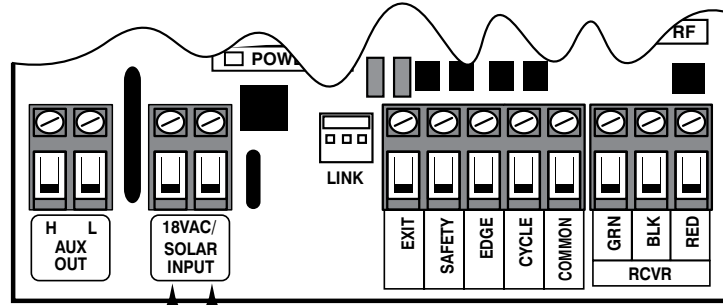
Bring enough wire up through the PVC conduit to allow for gate movement from open to closed position. See example at right.



## Step 7

Strip  $\frac{3}{16}$ " off the ends of the low voltage wire and twist tightly. Insert these ends to the **18 VAC** terminal block located on the control board (see illustration at right). The wires can be inserted into either terminal regardless of color. **Be certain not to let the exposed wires touch each other!**

Tighten set screws against exposed end of wires.

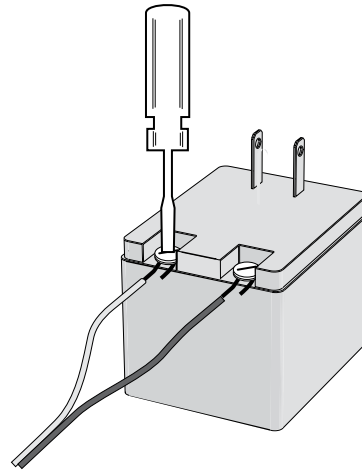


Low Voltage Wire from Transformer

## Step 8

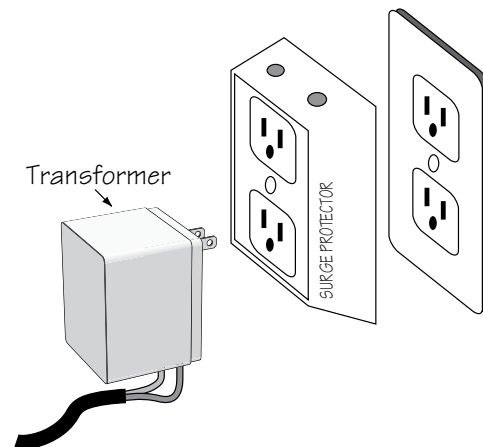
At the AC outlet strip  $\frac{1}{2}$ " of insulation from the ends of the low voltage wire. Attach these stripped ends to the transformer terminals.

**Make sure the exposed wires do not touch each other!**



## Step 9

Plug the transformer into the electrical outlet. Use of a surge protector with the transformer is **strongly** recommended. If electrical outlet is located outdoors, outlet and transformer should be protected by a weatherproof cover.



# CONNECTING THE SOLAR PANEL(S)

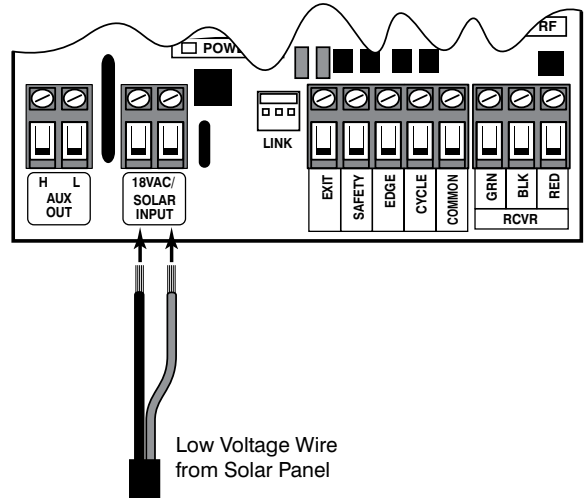
**IMPORTANT:** Never connect the transformer and a solar panel to the opener control board at the same time. It will damage the control board.

If you are using the transformer included with the E-Z Gate Opener to charge the opener battery, skip this section and go to "CONTROL BOARD SETTINGS" below.

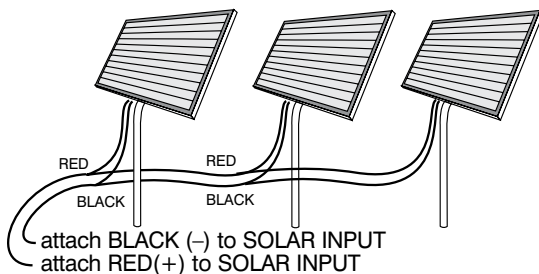
Strip  $\frac{3}{16}$ " off the ends of the low voltage wire from the solar panel and twist tightly. Insert these ends to the **18 VAC** terminal block located on the control board (see illustration at right). The wires can be inserted into either terminal regardless of color. **Be certain not to let the exposed wires touch each other!**

Tighten set screws against exposed end of wires.

**NOTE:** For multiple panels wire the panels in parallel as shown in this diagram.



## Solar Panels connect in PARALLEL



# CONTROL BOARD SETTINGS

## DIP Switches

### DIP Switch #1 - Push/Pull-to-Open

If your gate opens into the property (**Pull-to-Open**) the DIP Switch is set to **OFF** (factory). If your gate opens out from the property (**Push-to-Open**) the DIP Switch must be set to the **ON** position.

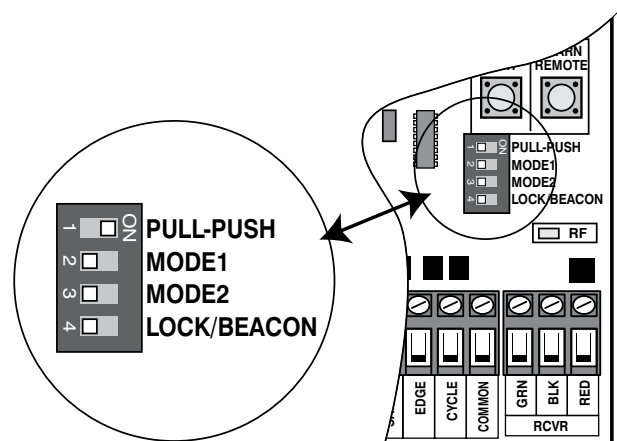
**NOTE:** if you have a Push-to-Open gate application you will need a E-Z Push Bracket (see Push-to-Open Instructions on page 31).

### DIP Switch #4 - Lock/Beacon

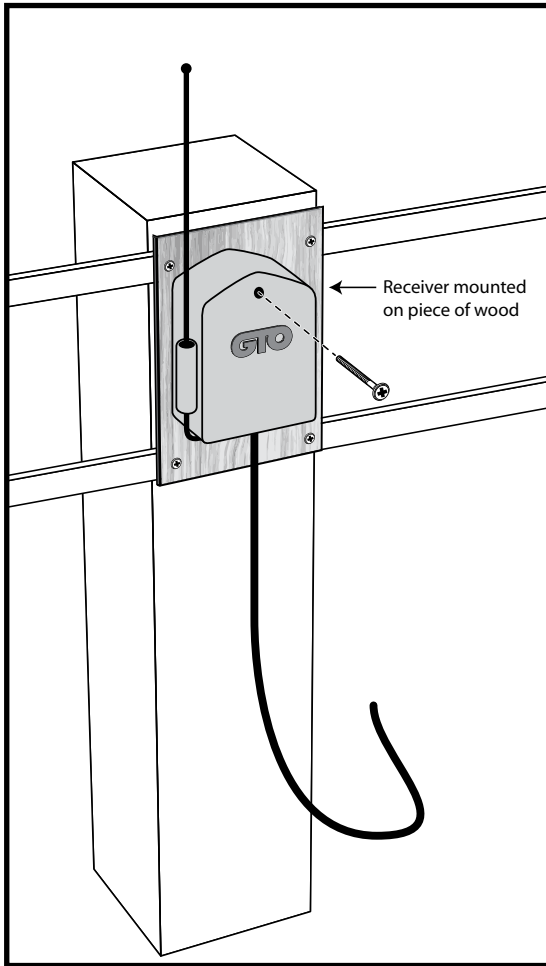
This DIP selects the mode of operation of the "AUX OUT" terminal.

The **OFF** (factory setting) position is selected if you are using an **Automatic Gate Lock** with your E-Z Gate Opener.

(Refer to page 28 steps 6 & 7 AUX/OUT Accessory Connection)



# MOUNTING THE RECEIVER



Use the remote to check the range of the receiver **before permanently mounting it.**

Consider the following when mounting the receiver:

- Standard receiver cable length is 10 feet (receivers with a longer cable are available as special order items; *call the GTO Sales Department*). NEVER splice receiver cable!
- **Run the cable through PVC conduit to protect it from damage.**
- DO NOT coil excess cable or store it in the control box.
- DO NOT run cable in conduit containing ac wiring.
- The receiver range can vary from 50 to 100 feet depending upon weather, topography, and external interference.

**NOTE: Do not mount upside down.**

## FCC Regulation

This device complies with FCC rules Part 15. Operation is subject to the following conditions:

1. This device may not cause harmful interference.
2. This device must accept any interference that may cause undesired operation.

Working distance may vary due to circumstances beyond our control.

**NOTE: The manufacturer is not responsible for any radio or TV interference caused by unauthorized modifications to this equipment. Such modifications could void the user's authority to operate the equipment.**

# SETTING THE CLOSED POSITION LIMIT

## Setting the Closed Position Limit

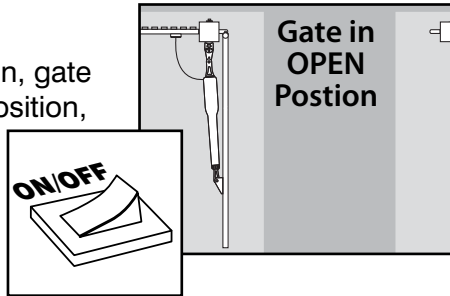
For PULL-TO-OPEN Installation

Turn the power switch on to the **ON** position



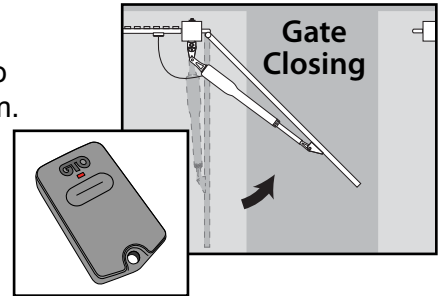
### Step 1

Power switch is on, gate is in the **OPEN** position, opener arm fully retracted.



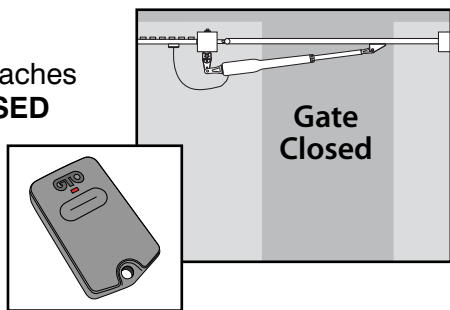
### Step 2

Press the remote to activate opener arm. The gate will begin to **CLOSE**.



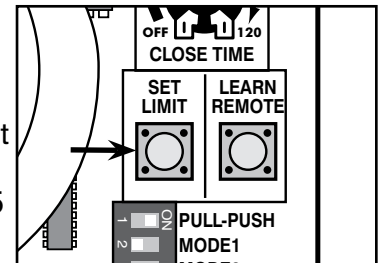
### Step 3

When the gate reaches the desired **CLOSED** position, press the remote to stop the gate.



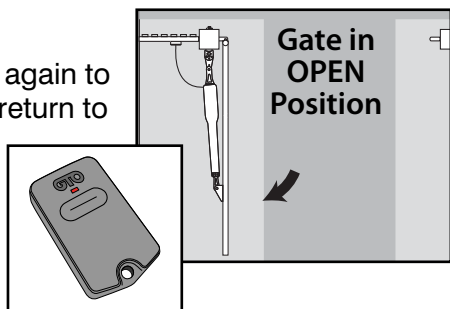
### Step 4

With the gate at the correct position, program the closed limit setting by pressing and holding SET LIMIT for 5 seconds.



### Step 5

Press the remote again to allow the gate to return to the fully **OPEN** position.



The gate closed position is now programmed. If you set the limit at the wrong position: press your remote to return the gate to the fully opened position, then press and hold the SET LIMIT button for 5 seconds. This will clear the memory for the closed limit position. Repeat Steps 1-5.

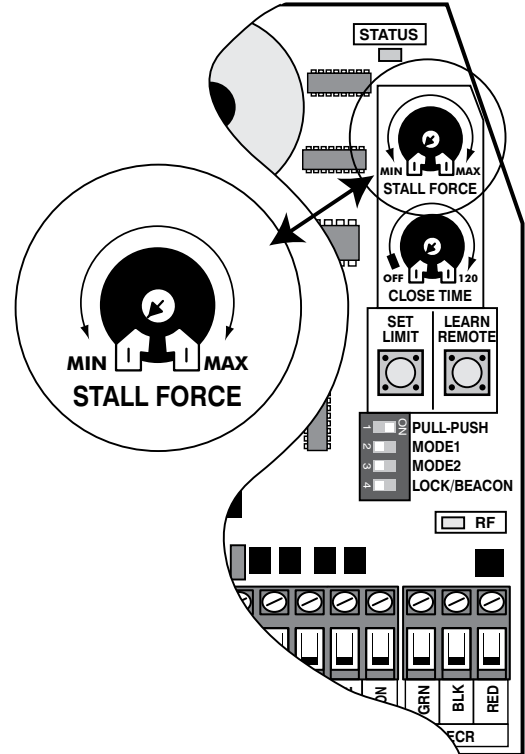
# Stall Force Potentiometer Setting

**IMPORTANT:** For safety reasons the obstruction setting or **Stall Force** on the E-Z Gate Opener control board comes from the factory set at **MIN** (minimum). In many gate installations this setting will need to be adjusted to overcome the weight and size of the gates.

The **Stall Force** potentiometer on the control board operates like a volume control on a radio. It controls the obstruction sensitivity (or the amount of force the opener will apply to an obstruction) before it automatically stops and reverses direction for approximately two (2) seconds.

Use a small flathead screwdriver to turn the arrow in the center of the potentiometer. Adjust the sensitivity from the **MINIMUM** position where the gate operates without obstructing from its own weight or the wind conditions in your area.

**NOTE:** You may need to increase the stall force in cold weather due to increased resistance from gate hinges.

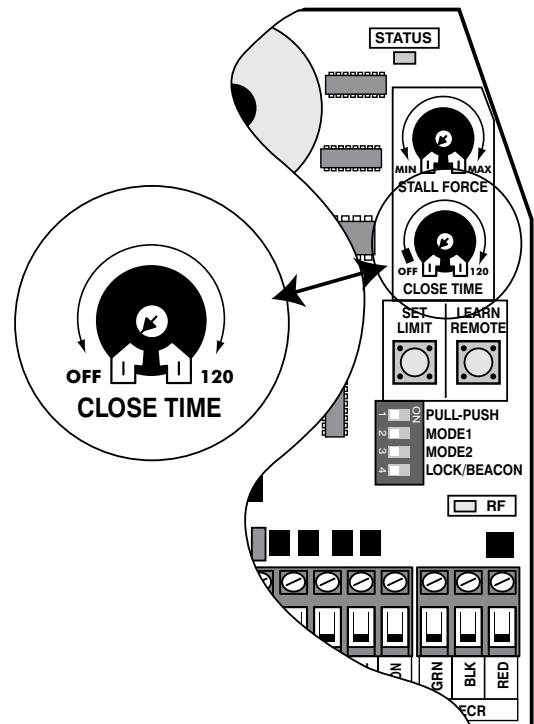


**ALWAYS KEEP SAFETY IN MIND WHEN ADJUSTING OR SERVICING YOUR AUTOMATIC GATE OPENER!**

# Set Auto-Close Time

The Auto-Close determines how long the gate will remain open before it automatically closes. The factory setting is OFF. Use a small flat blade screwdriver, you can adjust the settings to OFF, or from 3 to 120 seconds.

**NOTE:** Auto-Close timer is disabled (gate will not automatically close) if gate is not at the fully open position.



# Personalize Your Remote Setting

All remotes have a standard setting and are ready to operate your E-Z Gate Opener. For your safety and security, we strongly recommend that you replace the factory setting with your own personal setting.

**NOTE: If you have multiple remotes, you should adjust all of them at this time.**

## Step 1

Use a small Phillips head screw driver to remove the remote cover.

## Step 2.

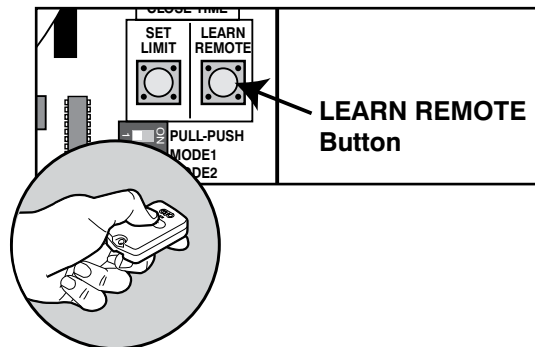
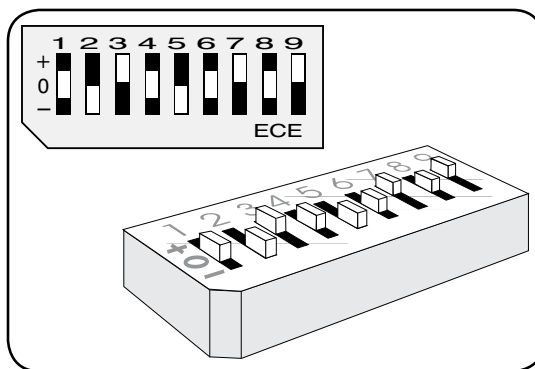
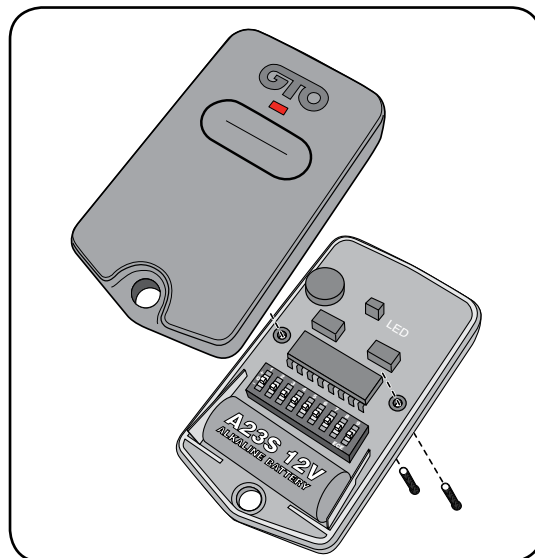
Set the transmitter DIP switches using a small screwdriver. There are nine (9) remote DIP switches; each can be placed in three different positions (+, 0, -). DO NOT set all the switches in the same position, such as all +, all 0, or all -. Once the DIP switches have been reset, replace and close the access cover.

**WARNING:** No other adjustments should be made inside the transmitter.

## Step 3.

Program the new setting in the control board memory.

- A. Press and hold the remote button while sliding the ON/OFF switch to the ON position.
- B. Press and hold the **LEARN REMOTE** button until the alarm sounds (3-5 seconds).
- C. Release the remote button. The new remote setting is now programmed.
- D. Verify that the remote operates the gate.



FCC WARNING: Changes or modifications to this unit not expressly approved by the party responsible for compliance could void the user's authority to operate the equipment. In accordance with FCC Part 15, Section 15.21, the manufacturer is not responsible for any radio or TV interference caused by unauthorized modifications to this equipment. Such modifications could VOID the user authority to operate the equipment.

NOTE: This equipment has been tested and found to comply with the limits for a Class B digital device, pursuant to Part 15 of the FCC Rules. These limits are designed to provide reasonable protection against harmful interference in a residential installation. This equipment generates, uses and can radiate radio frequency energy and, if not installed and used in accordance with the instructions, may cause harmful interference to radio communications. The GTO AQ201-NB receiver was used during FCC testing. Substitutes should not be used.

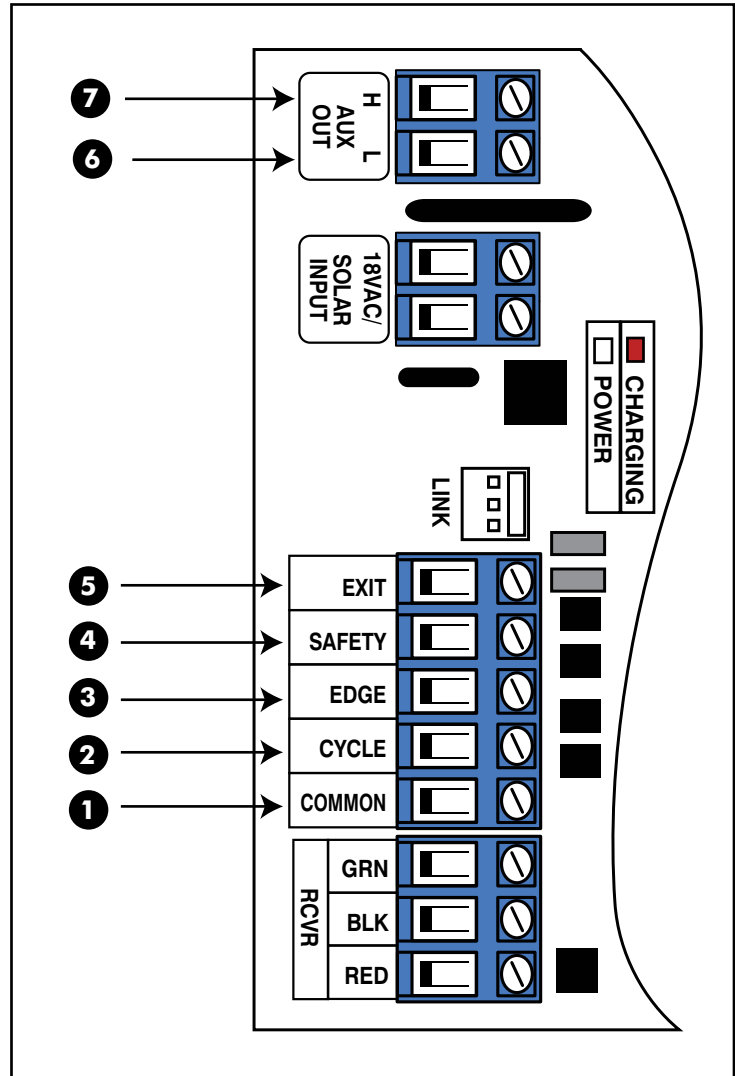
However, there is no guarantee that interference will not occur in particular installations. If this equipment does cause harmful interference to radio or television reception, which can be determined by turning the equipment off and on, the user is encouraged to try to correct the interference by one or more of the following measures: • Increase the separation between the equipment and the receiver. • Connect the equipment into an outlet on a circuit different from that which the receiver is connected. • Consult the dealer or an experienced radio/TV technician for help.

# CONNECTING ACCESSORIES

## Input Connections

- All control inputs are dry-contact, normally open, inputs. DO NOT apply external voltage sources to these inputs.
- All inputs are connected with respect to COMMON terminal.
- The status LED will blink once when any input is activated.

- 1 COMMON:** Circuit common (reference for all logic input)
- 2 CYCLE:** (Typically for use with push button or hard-wired keypad)
  - Each activation at this input will cycle the operation as follows:  
OPEN–STOP–CLOSE–STOP–OPEN
- 3 EDGE:** (Typically for use with safety edge device)
  - Activation of this input while the gate is closing will cause the gate to stop and reverse direction for approximately 2 seconds.
  - Activation of this input while the gate is opening has no effect (gate will continue to open).
  - Activation of this input while gate is idle will prevent gate from closing.
- 4 SAFETY:** (Typically for use with photo beam device, loop detector or other non-contact sensors)
  - Activation of this input while the gate is closing will cause the gate to stop and return to the opened position.
  - Activation of this input while the gate is opening has no effect (gate will continue to open).
  - Activation of this input while gate is idle will prevent gate from closing.

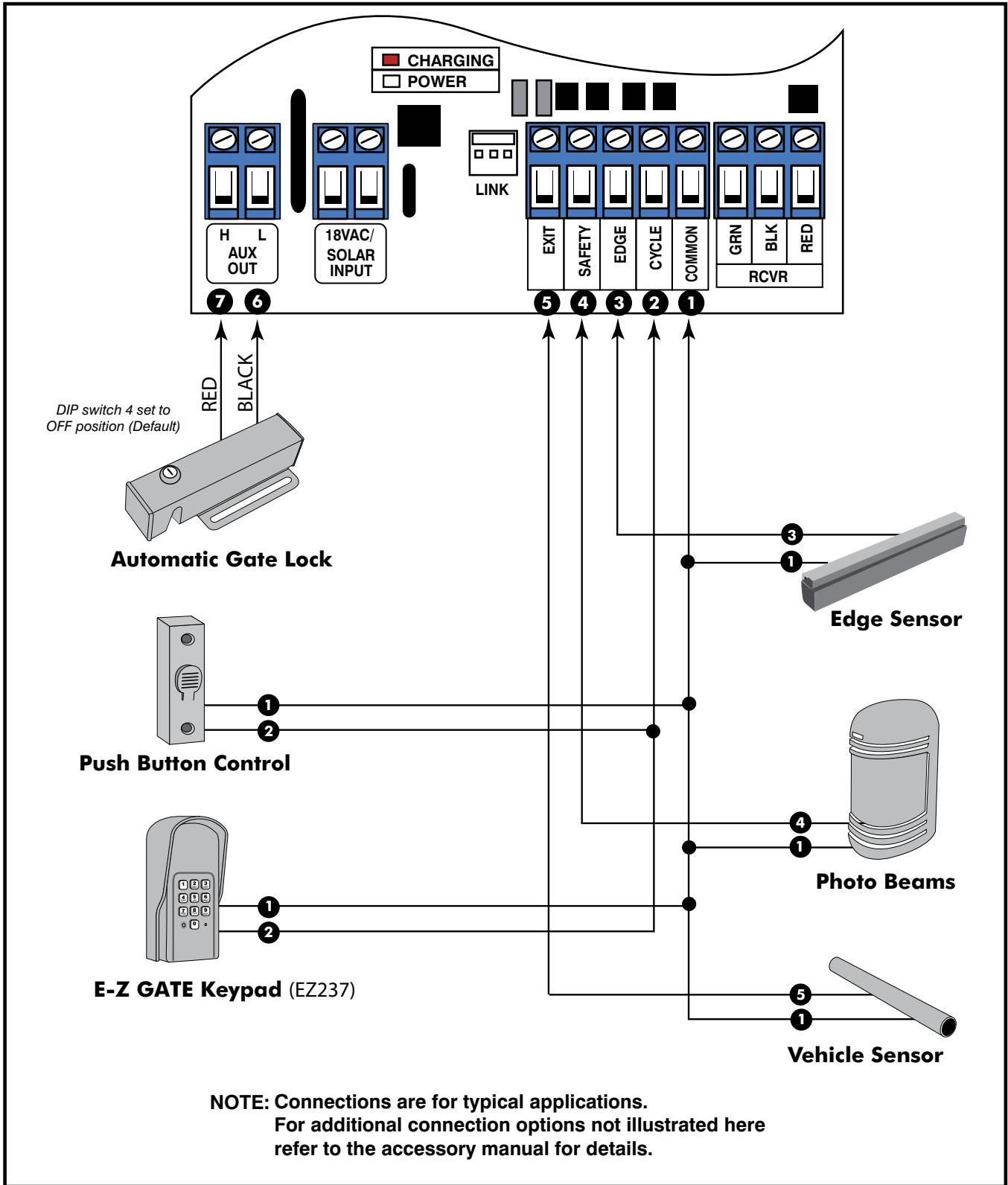


- 5 EXIT:** (Typically for use with exit loop or wand)
  - Activation of this input will open the gate if it's not already at the open position
  - Activation of this input while at open limit will restart the auto close time (if enabled).

**6/7 AUX/OUT:** Multi-function output: refer to DIP Switch 4 on page 23.



# WIRING ACCESSORIES

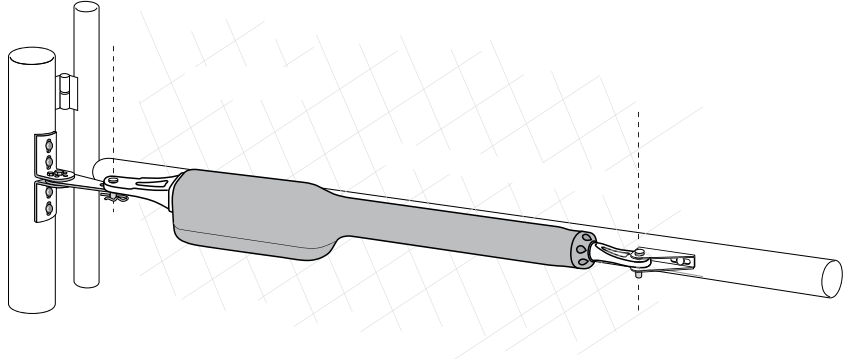


# FINAL STEPS

## When everything has been connected to the opener...

Replace the control board access cover. Remove the opener arm from both mounts and remount it in the upright position (control board cover facing down). Failure to re-mount opener in the upright position will allow water to enter the opener and cause damage to the opener control board.

- Attach Warning Signs
- Trim all Bolts
- Register Your Warranty



# PUSH-TO-OPEN INSTALLATION INSTRUCTIONS

**PUSH-TO-OPEN** gates open out from the property (opener arms *extend* to open). An E-Z GATE Push Bracket is required for this type of installation. In a Push-To-Open installation, the opener is installed while the gate is **in the closed position and the opener fully retracted**.

Swinging gates **MUST NEVER** open into public access areas!

Step 1: Read "Installation of the Gate Opener" on page 16.

Step 2: Determining The Mounting Position of The Post Bracket Assembly

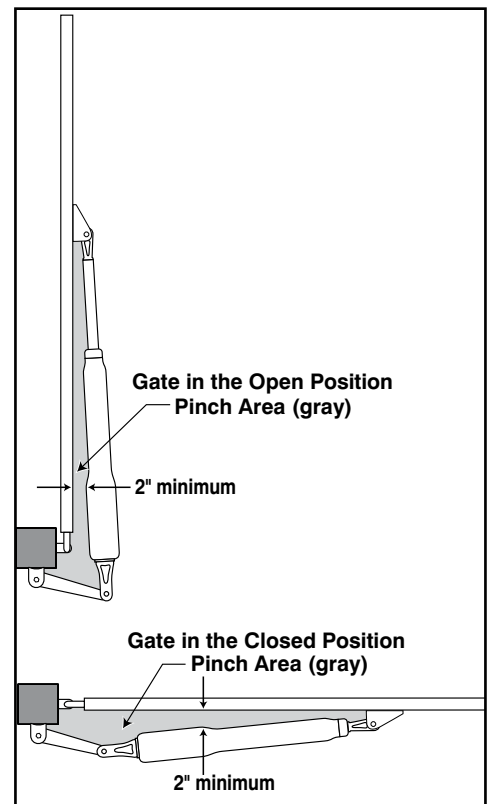
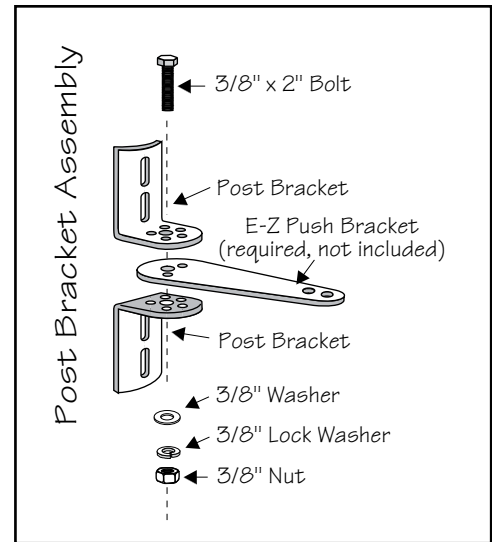
- A. Insert the  $\frac{3}{8}$ " x 2" bolt through the center hole of the post brackets and post pivot bracket. Secure with a  $\frac{3}{8}$ " washer and  $\frac{3}{8}$ " lock nut. **DO NOT overtighten** the lock nut (the post pivot bracket will have to be adjusted later). Attach post bracket assembly to the rear mount of the opener with a clevis pin and a  $\frac{3}{8}$ " washer. Secure the clevis pin with a hairpin clip. Attach gate bracket to the front mount of the opener with a clevis pin and a  $\frac{3}{8}$ " bushing. Secure the clevis pin with a hairpin clip.
- B. With the gate in the closed position (up to  $110^\circ$  from its open position), and the opener fully retracted, adjust the post bracket assembly and gate bracket until the opener is level. While holding the opener level, use C-clamps to temporarily keep the post bracket assembly and gate bracket in their respective positions on the fence post and gate.

**IMPORTANT:** Be sure the position of the gate opener and brackets allows for 2" of clearance between the gate and the opener in both the open and closed position, while at the same time maintaining a maximum distance of 19" from the end of the opener arm to the gate bracket with the gate in the **open** position. This mounting position will give the opener the most efficient leverage point for operation and provides the least possible pinch area.

- C. After verifying that you have the best position for the post pivot bracket in the closed position, insert the  $\frac{5}{16}$ " x  $1\frac{3}{4}$ " bolt through the aligned holes of the post bracket and post pivot bracket to hold it in place. Remove the clevis pin from the front mount and **while supporting the gate opener**, swing the gate and gate opener to the **open** position. Again, check the clearance and be sure that the gate opener is not binding at the post pivot bracket.

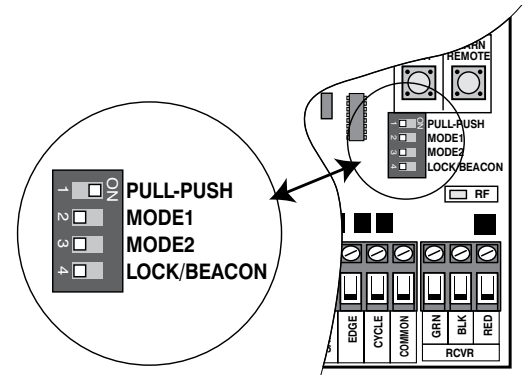
**IMPORTANT:** If you don't have the required clearance, or if the gate opener is binding, remove the  $\frac{5}{16}$ " x  $1\frac{3}{4}$ " bolt and readjust the post pivot bracket. TIP: Turn the post pivot bracket over for more hole alignment options.

- D. When the post pivot bracket assembly is in the optimum position, reattach the opener to the gate bracket (gate in the closed position); recheck the gate opener level; make sure the brackets are clamped securely. Mark reference points for bolt holes on the post through middle of post bracket slots. Mark reference points for bolt holes on the gate cross member through middle of gate bracket slots. After marking your reference points, remove the opener and brackets from the post and gate.
- E. Drill  $\frac{3}{8}$ " holes through post as marked. Fasten post bracket assembly to the post using four  $\frac{3}{8}$ " x 8" bolts, washers and lock nuts. **You must use bolts that completely penetrate the post.** Drill  $\frac{3}{8}$ " holes through the gate cross member as marked. Mount gate bracket using two  $\frac{3}{8}$ " x  $2\frac{3}{4}$ " bolts, washers, and lock nuts.



# Set Control Board for Push-To-Open

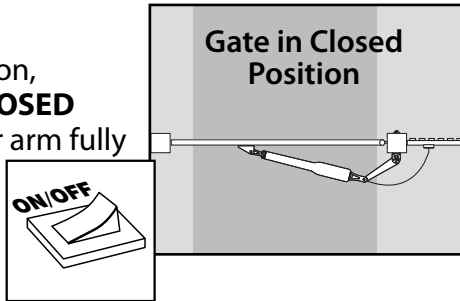
Make sure the control box power switch is OFF. Use a small screwdriver to move the Number 1 DIP switch from the factory setting (OFF / Pull-To-Open) to ON for Push-To-Open. Turn power switch ON. The control board is now configured to push the gate open.



# Setting the Open Position Limit (Push-To-Open Installations)

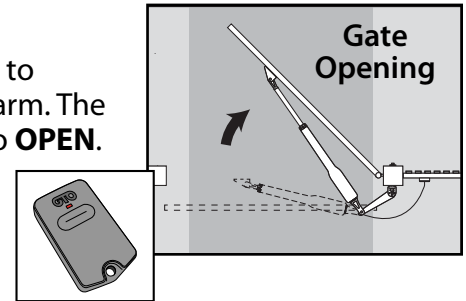
## Step 1

Power switch is on, gate is in the **CLOSED** position, opener arm fully retracted.



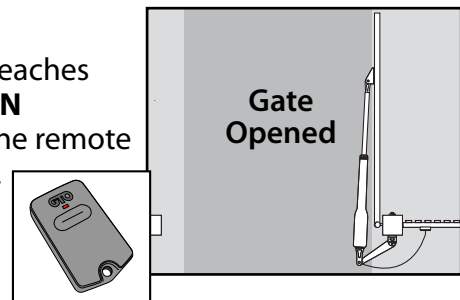
## Step 2

Press the remote to activate opener arm. The gate will begin to **OPEN**.



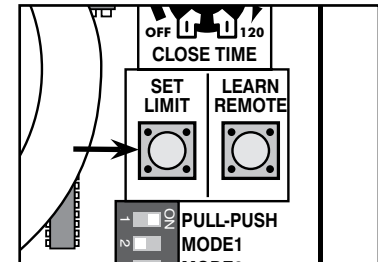
## Step 3

When the gate reaches the desired **OPEN** position, press the remote to stop the gate.



## Step 4

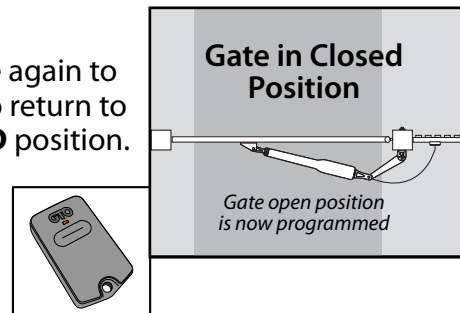
With the gate at the correct position, program the open limit setting by pressing and holding SET LIMIT for 5 seconds.



## Step 5

Press the remote again to allow the gate to return to the fully **CLOSED** position.

Gate is now programmed



The gate open position is now programmed. If you set the limit at the wrong position: press your remote to return the gate to the fully closed position, then press and hold the SET LIMIT button for 5 seconds. This will clear the memory for the open limit position. Repeat Steps 1-5.

# MAINTENANCE AND TROUBLESHOOTING GUIDE

**If your gate opener does not function properly after it is installed, use this guide before calling the GTO Service Department.**

- On all gates weighing 250 lbs. or more, routinely grease the ball bearing hinges at least 4 times a year; more frequently if the gates are in a coastal area.
  - Apply silicone spray to a soft, dry cloth and clean the push/pull tube at least once a month.
- 

## **AUDIBLE/BUZZER/ALARM FEEDBACK:**

### **1. 1 beep with 2 seconds off:**

Limit switch error: Limit switch's normally open and normally closed inputs both open or both shorted. The alarm will automatically shut off in 4 seconds after the problem is corrected.

### **2. 5 beeps with 2 seconds off:**

Low battery condition detected: Low battery can occur if the following condition is detected:

While in idle state and the battery voltage is below ~11.5 Volts.

While running and the battery voltage is below ~10.0 Volts.

The alarm will automatically shut off when the idle voltage is more than 12 Volt.

The unit may continue to operate even when low battery is detected.

The STATUS LED will also blink when the buzzer is beeping.

### **3. 1 beep when attempting to run the unit:**

No battery is connected.

Blown fuse.

Dead cell or extremely low battery condition.

### **4. Alarm continuously beeps (remote does not operate unit AND not at either limit):**

Two consecutive obstructions have been detected without reaching the limit. Alarm will automatically shut off after 5 minutes. 'Power-cycle' the unit will also shut off the alarm.

### **5. Learn Remote:**

When a new code is learned from the remote the alarm will sound. Release the 'LEARN REMOTE' button will turn the alarm off. See "Setting Your Personal Transmitter Code" section on page 27.

### **6. Power-Cycle:**

The alarm will beep for 1 second upon power up.

## **VISUAL/LEDS FEEDBACK:**

### **1. RF LED (LED2):**

Blinking when there is 318 MHz signal is received. This LED is typically off when the receiver is connected and no 318 MHz signal is presented.

### **2. STATUS LED (LED1):**

While the unit is IDLE:

1 blink with 2 seconds off:

Free Exit terminal is shorted to common.

2 blinks with 2 seconds off:

Safety terminal is shorted to common.

3 blinks with 2 seconds off:

Edge terminal is shorted to common.

4 blinks with 2 seconds off:

Cycle terminal is shorted to common.

**LEARN LIMIT Mode:**

This LED will turn on when the 'LEARN-LIMIT' button is pressed. It will turn off after 3 seconds indicating that it has entered the learn limit mode (if not at the retracted limit) or cleared the previous learned limit (if at retracted limit). See "Setting Closed Position" section on page 26.

Whenever there is a change in state at any of the inputs this LED will blink once.

**3. POWER LED (Green):**

ON: AC power or solar power is presented.

OFF: NO AC power or solar power is presented.

**4. CHARGING LED (Red):**

Red light on or flashing – the unit is charging

Red light off – the unit is not charging. Check transformer or solar panel.

**THE GATE CLOSURES THEN OPENS AGAIN ON ITS OWN:**

1. Check the position of the mounting brackets and readjust if necessary.
2. Check the gate for binding or hinge damage.

**THE GATE OPENS THEN CLOSURES AGAIN ON ITS OWN:**

1. Check the position of the mounting brackets and readjust if necessary.
2. Check the gate for binding or hinge damage.

**VOLTAGE READINGS**

18 Vac Transformer \_\_\_\_\_ 18.0 to 22.0 Vac

5 W Solar panel (single) \_\_\_\_\_ 18.0 to 22.0 Vdc 300 mA

measure voltage at panel and control box.

12 V Battery \_\_\_\_\_ 12.0 to 13.5 Vdc 7.0 Ah

Charging circuit \_\_\_\_\_ 12.0 to 14.8 Vdc

measure voltage with battery connected

# WARRANTY REPAIRS

If your E-Z Gate Opener is not operating properly, please follow the steps below:

1. First use the procedures found in the Visual and Audible Diagnostic Indicators section (page 33).
2. If you are unable to solve the problem, call the GTO Service Department at (800) 543-1236, or (850) 575-4144. Refer to the serial number (located underneath the arm) and date of purchase when calling for assistance.
3. **If repair or replacement of your gate opener is necessary, the Service Department will assign a Return Goods Authorization (RGA) number to you.**
4. Once you have received your RGA# send in your original equipment for repair. Please refer to Manufacturers' Limited Warranty for complete details. Securely pack the component(s) authorized for return to the factory. Include a copy of your sales receipt for the purchase of the product(s). Write the RGA number issued to you on the outside of the package in LARGE BOLD PRINT.

Ship the package(s) freight prepaid to: GTO, 3121 Hartsfield Road, Tallahassee, Florida, USA 32303.

**NOTE: Products returned to GTO without a Return Goods Authorization (RGA) number in LARGE BOLD PRINT on the outside of the package WILL NOT be accepted. Also, items returned to GTO freight collect WILL NOT be accepted.**

**After the twelve (12) month warranty expires, GTO, or one of its authorized service centers will perform necessary repairs for a nominal fee. Call GTO's Technical Service Department for more information.**

## GTO Technical Service and Installation Assistance

8:00am–7:00pm • Monday–Friday (EST)

**Toll Free Support: 800-543-1236 • Local Support 1-850-575-4144 • Fax: 850/575-8950**

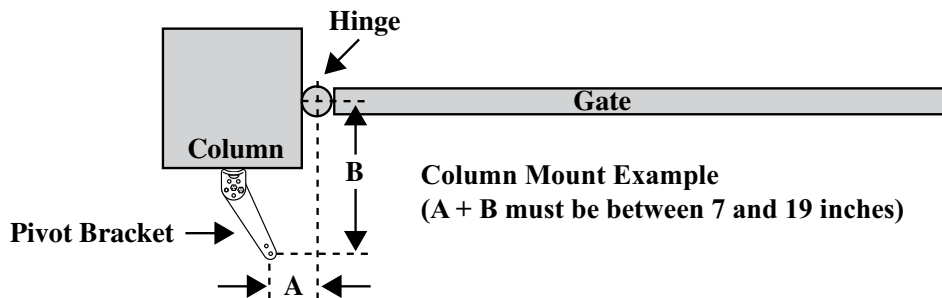
Gates That Open, LLC  
3121 Hartsfield Road, Tallahassee, Florida, USA 32303  
[www.mightymule.com](http://www.mightymule.com)

# COLUMN INSTALLATION INFORMATION

IF THIS OPENER WILL BE USED WITH GATES THAT ARE MOUNTED ON  
MASONRY, BRICK, OR ROCK (etc.) COLUMNS:

READ THE FOLLOWING CAREFULLY BEFORE PROCEEDING

- A. The simplest solution is to install the opener in a push-to-open configuration. The minimum clearance is easier to achieve and clearance is no longer a problem, since the opener will be pushing the gate away from the column instead of pulling it toward the column. It is recommended that you place a steel plate between the opener mounting brackets and masonry surface for additional strength.
- B. If a push-to-open installation is impossible due to traffic hazards, terrain, etc., another option is to re-hang the gate. You may hang it on a post, either in the center of the column or at the back corner, or move the gate to the back corner of the columns.
- C. The most difficult solution is to cut a notch in the column to accommodate the opener and power cable. This job is **NOT** for the inexperienced!







# NOTES

---

---

---

---

---

---

---

---

---

---

---

---

---

---

---

---

---

---

---

---

---

---

---

---

---

---

---

---

---

---

---



**E-Z GATE®**  
**SINGLE GATE OPENER**