

Logic 5.0 Commercial Door Operator

USER'S GUIDE

Security+ 2.0®

myQ®

Models T, APT, H, J, HJ, GH, GT, SD, and GSD



NOT FOR RESIDENTIAL USE

THIS PRODUCT IS TO BE INSTALLED AND SERVICED BY A TRAINED DOOR SYSTEMS TECHNICIAN ONLY.

Operators are shipped in C2 operating mode.
Visit www.LiftMaster.com to locate a professional installing dealer in your area.

2 YEAR WARRANTY

Serial # _____

Installation Date _____

CONTACT INFORMATION



LiftMaster
300 Windsor Drive
Oak Brook, IL 60523

LiftMaster.com



WARNING: This product can expose you to chemicals including lead, which are known to the State of California to cause cancer or birth defects or other reproductive harm. For more information go to www.P65Warnings.ca.gov.

LiftMaster®

INTRODUCTION

Congratulations on purchasing a quality LiftMaster Logic 5.0 Commercial Door Operator.

The Logic 5.0 operator provides everything you know and trust in the prior version, plus the new features listed below:

myQ® Smart Facility Access

myQ® technology enables secure monitoring and control of Logic 5.0 operators and other myQ accessories from anywhere with a mobile device or computer using the myQ app and myQ® Smart Facility Management platform. See page 3 for more information.

Security+ 2.0®

- Increased security – with every click a new code is sent to the commercial door operator ensuring the door opens only for the individual pressing the remote
- Enhanced radio improves range – assuring the door opens, stops and closes conveniently and reliably every time

Dual Voltages

- Single phase operators provide (115V and 230V)
- 3 phase operators provide (208/230V and 460V)
- 575V operator

CYCLE RATINGS

STANDARD DUTY:

Up to 25 cycles/hr. at peak periods.
Up to 80-90 cycles/day.

Models T, APT, J, DJ,
H, DHJ, & SD

HEAVY DUTY:

25 cycles/hr. constant high loading
in excess of 90 cycles/day.

Models GT, GH, & GSD

myQ® SMART FACILITY ACCESS

LiftMaster offers a connected experience for all sizes of businesses and their access needs.

myQ technology uses a 900Mhz signal to communicate securely from your connected devices to myQ enabled accessories or to a Wi-Fi network. A LiftMaster Internet Gateway model 828LM or a LiftMaster myQ® Home Bridge model 819LMB is required for Wi-Fi internet connectivity. (see Accessories page 10).

myQ APP

Download the myQ app and follow the on-screen prompts to connect your commercial products. The myQ app enables secure monitoring and control of Logic 5.0 operators and other myQ enabled accessories with a mobile device.



- Receive alerts about the status of a commercial door as email or push notifications on a mobile device.
- The myQ app is free and does not require an annual activation fee.
- Connected operators receive current firmware updates

myQ FACILITY MANAGEMENT

myQ Facility Management is a premium cloud-based platform to manage access for unlimited facilities, users and vehicles from anywhere. Monitor and control your vehicular access doors, gated entries and dock positions from a universal platform.

- Facility dashboards provide the right people visibility into all the facilities access points.
- Assign access to the facility based on a specific user role, device permissions, and scheduling.
- Notification management allows specific users visibility and insight into process related issues or when something is out of place.
- Commercial “Intelligence” reporting provides insight to schedule maintenance based on equipment usage (instead of calendar-based maintenance), identify energy savings opportunities, and monitor overall time related to access open times.
- A connected dock door operator provides complete visibility into dock operations including door event status, trailer presence, dock leveler status, truck restraint status, forklift sensing, and trailer location. Enhance overall efficiency at each dock position.

SETUP A myQ® SMART FACILITY MANAGEMENT ACCOUNT

NOTE: If you have an existing myQ® account, your Smart Facility Management account will have the same password.

1. Call LiftMaster Customer Care at 800.323.2276 to activate a Smart Facility Management account.
2. You will receive a welcome email from LiftMaster with instructions to register and login to your account.
3. Set up the facility and add users and groups to provide access to the facility (see the help in Smart Facility Management).
4. Follow onscreen prompts to get your Logic 5.0 Commercial Door Operator and additional devices connected.

Visit myQ.com for more information about LiftMaster’s myQ connected solutions.

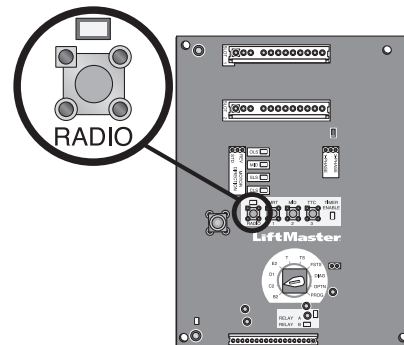
PROGRAMMING myQ DEVICES:

1. Press and release the RADIO button on the logic board to enter programming mode. The RADIO LED will light.
2. Place the myQ enabled device into learn mode, see the instructions for the device.
3. When programming is complete, the RADIO LED will turn off.

NOTE: The operator will exit programming mode in 3 minutes if programming is not completed, and the RADIO LED will turn off.

TO ERASE ALL myQ ENABLED DEVICES:

1. Press and release the RADIO button on the logic board (the RADIO LED will light).
2. Press and hold the MAS button for 5 seconds. The RADIO LED will flash for approximately 5 seconds and the RADIO LED will turn off.



All myQ enabled devices are now erased.

PROGRAMMING

⚠ WARNING

To prevent possible SEVERE INJURY or DEATH:

- Install a LiftMaster Monitored Entrapment Protection (LMEP) Device.
- NEVER wear watches or rings when opening or inside of the enclosure with power on.
- Avoid contact with any wiring or connection points inside of the enclosure.
- ALWAYS use only one hand inside of the enclosure when pressing buttons on the printed circuit logic board.
- NEVER permit children to operate or play with door control push buttons or remote controls.
- Activate door ONLY when it can be seen clearly, is properly adjusted and there are no obstructions to door travel.
- ALWAYS keep door in sight until completely closed. NEVER permit anyone to cross the path of closing door.

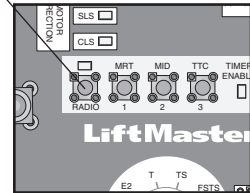
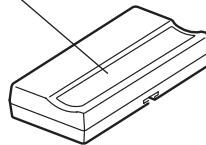
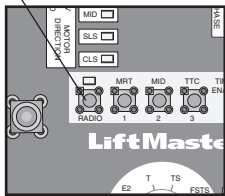
REMOTE CONTROLS

Built in 3-channel, Security+2.0® radio receiver allows you to add up to 90 remote control devices and up to 30 keyless entry devices.

NOTE: The following programming requires a LiftMaster Monitored Entrapment Protection (LMEP) Device.

SINGLE BUTTON REMOTE CONTROL

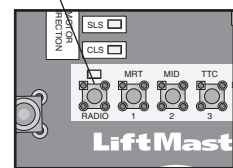
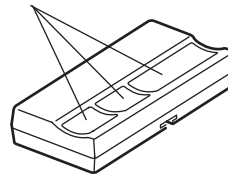
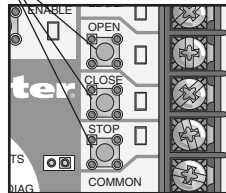
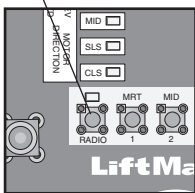
- 1 Press and release the RADIO button (RADIO LED will light).
- 2 Press and hold the remote control button until the RADIO LED flashes rapidly, then release remote control button. The RADIO LED will then remain on solid after releasing the button. Repeat to add additional remote control(s).
- 3 Press and release the RADIO button to complete the programming. The programming mode is exited if no activity is performed within 30 seconds.



3-BUTTON REMOTE CONTROL TO OPERATE AS A WIRELESS 3-BUTTON CONTROL STATION

NOTE: The feature will use 3 of the 90 memory channels in the operator.

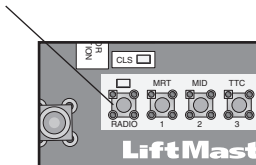
- 1 Press and release the RADIO button on the logic board (the Radio LED will light).
- 2 Press and release the desired button on the logic board (OPEN, CLOSE or STOP). The Radio LED will flash and then stay on solid.
- 3 Press and hold the desired button of the remote control until Radio LED flashes rapidly, then release.
- 4 Press and release the RADIO button to complete the programming. The programming mode is exited if no activity is performed within 30 seconds.



Repeat steps 1 through 4 to program additional buttons.

TO ERASE ALL REMOTE CONTROLS

- 1 Press and hold the RADIO button on the logic board until the RADIO LED flashes rapidly (approximately 5 seconds). All remote controls will be erased.



NOTICE: To comply with FCC and/or Industry Canada (IC) rules, adjustment or modifications of this transceiver are prohibited. THERE ARE NO USER SERVICEABLE PARTS. Any changes or modifications not expressly approved by the party responsible for compliance could void the user's authority to operate the equipment. This device complies with Part 15 of the FCC rules and IC RSS-210. Operation is subject to the following two conditions: (1) this device may not cause harmful interference, and (2) this device must accept any interference received, including interference that may cause undesired operation. This Class B digital apparatus complies with Canadian ICES-003. This device must be installed in a way where a minimum 8" (20 cm) distance is maintained between users/bystanders and device.

PROGRAMMING

⚠ WARNING

To prevent possible SEVERE INJURY or DEATH:

- Install a LiftMaster Monitored Entrapment Protection (LMEP) Device.
- NEVER permit children to operate or play with door control push buttons or remote controls.

- Activate door ONLY when it can be seen clearly, is properly adjusted and there are no obstructions to door travel.
- ALWAYS keep door in sight until completely closed. NEVER permit anyone to cross path of closing door.

TIMER-TO-CLOSE

Feature: Timer automatically closes the door after preset time. All entrapment protection devices must be unobstructed.

Benefit: The door will automatically close after the preset amount of time. Great for apartment buildings, fire stations and other applications where the end user wants the door to close automatically after a specified amount of time.

Requirements: Must have at least one LiftMaster Monitored Entrapment Protection (LMEP) Device installed (refer to installation manual). Wiring type must be set to TS, T or FSTS.

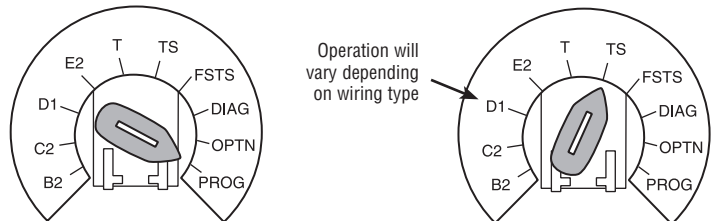
TO PROGRAM MANUALLY (METHOD 1):

1. Close the door.
2. Turn the selector dial to PROG.
3. Press and release the TIMER button on the logic board.
4. Press and release the STOP button to clear the timer.
5. Press and release the OPEN button for every second the operator should wait before attempting to close the door. Press and release the CLOSE button for every 15 seconds the operator should wait before closing the door.

6. Press and release the TIMER button to complete programming. The OPEN/CLOSE button LEDs will flash to confirm the timer setting. The OPEN LED will flash once for every second programmed and the CLOSE LED will flash once for every 15 seconds programmed.
7. Turn the selector dial to desired timer wiring type (TS, T or FSTS).

Example: To close the door after 70 seconds. Turn selector dial to PROG, press and release the TIMER button, press and release the STOP button to clear the timer, press and release the CLOSE button four times for 60 seconds and press and release the OPEN button 10 times for 10 seconds. Press the TIMER button to finish programming the timer. Turn the selector dial to desired timer wiring type (TS, T, or FSTS).

SELECTOR DIAL



PROGRAM TIMER-TO-CLOSE BY EXAMPLE (METHOD 2):

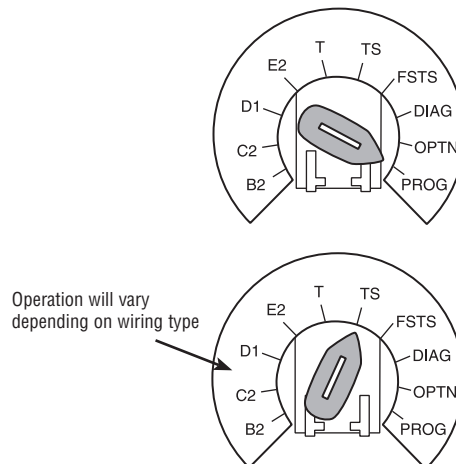
TO PROGRAM:

1. Close the door.
2. Turn the selector dial to PROG.
3. Press and hold TIMER button for 5 seconds until OPEN and OLS flashes then release.
4. Press and release the OPEN button and wait for the door to reach full open or mid stop position.
5. Wait for desired amount of time to pass. (An internal stop watch starts counting when the door stops moving.)
6. Press and release the TIMER button, CLOSE button or STOP button to stop the timer. (TIMER SET LED will turn on.)
7. Turn the selector dial to the desired wiring type (T, TS, FSTS).

NOTE: To read back the Timer-To-Close setting, turn the selector dial to DIAG and press the TIMER button. The OPEN LED will flash once for every second programmed and the CLOSE LED will flash once for every 15 seconds programmed.

In T Mode, timer can be deactivated from the open position by pressing the STOP button. The timer will be reactivated on the next operation command. The STOP button WILL NOT deactivate the timer in the TS mode. To deactivate the timer for more than one cycle in T mode or in TS mode, attach a defeat switch to 11 and 12 (COMMON and TIMER DEFEAT).

SELECTOR DIAL



MANUAL RELEASE

⚠ WARNING

To prevent possible SERIOUS INJURY or DEATH from a falling door or arm:

- DO NOT stand under the door arm when pulling the emergency release.
- If possible, use emergency release handle to disengage trolley ONLY when door is CLOSED. Weak or broken springs or unbalanced door could result in an open door falling rapidly and/or unexpectedly.
- NEVER use emergency release handle unless doorway is clear of persons and obstructions.

EMERGENCY DISCONNECT SYSTEM MODEL GT AND T

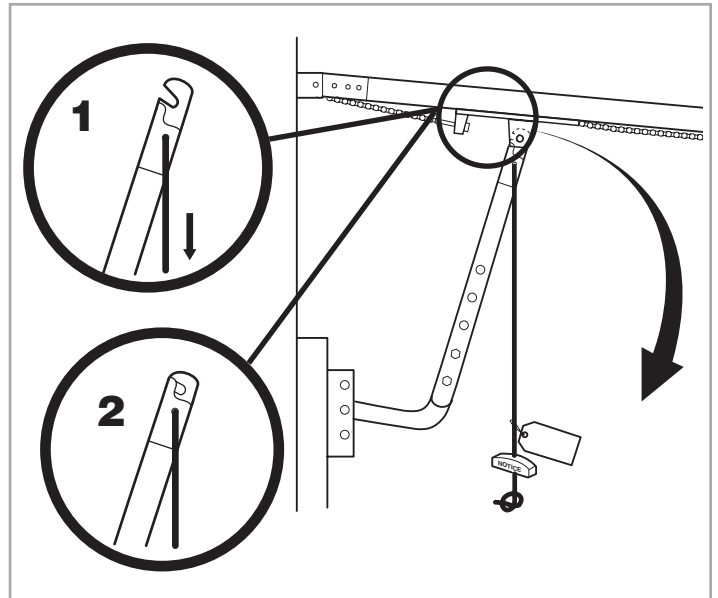
TO DISCONNECT DOOR FROM OPERATOR

The door should be in the fully closed position if possible.

- 1** Pull emergency release handle straight down. Emergency disconnect will open.

TO RECONNECT DOOR ARM TO TROLLEY

- 2** Lift free end of door arm to trolley. Pull emergency release handle to allow arm to engage roll pin. Release handle. Emergency disconnect will close.



EMERGENCY DISCONNECT SYSTEM MODEL APT

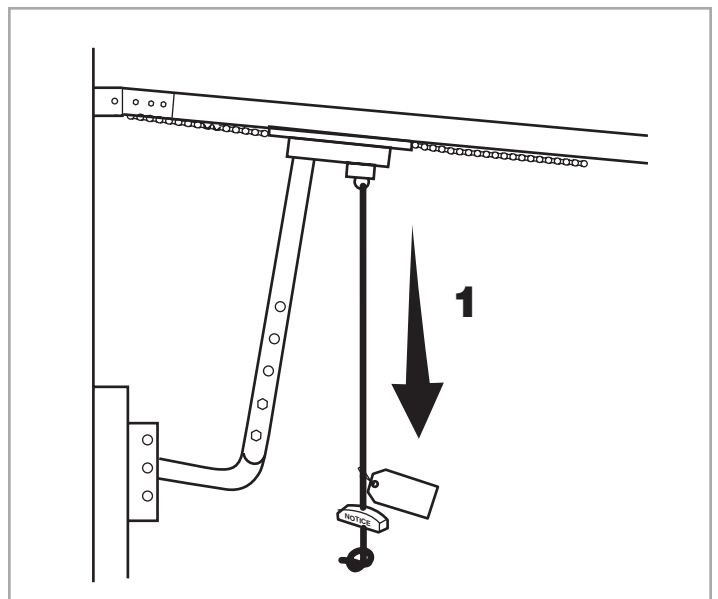
TO DISCONNECT DOOR FROM OPERATOR

The door should be in the fully closed position if possible.

- 1** Pull down on the emergency release handle and raise or lower the door manually.

TO RECONNECT DOOR ARM TO TROLLEY

- 2** The trolley will reconnect on the next UP or DOWN operation, either manually or by using the door control or remote.



MANUAL RELEASE

EMERGENCY DISCONNECT SYSTEM MODEL H, GH, J, AND HJ

This operator has provisions for manually operating the door in case of emergency or power failure. Refer to the appropriate instructions below for your model operator.

MODEL H AND GH

These operators are equipped with a manual hoist. An electrical interlock will disable the electrical controls when the hoist is used. To operate the hoist:

- 1** Pull the disconnect chain (sash chain) to engage the hoist mechanism. The disconnect chain may be locked in position by slipping the end through the keyhole of the chain keeper mounted on the wall.
- 2** Operate the door in the desired direction by pulling on one side or the other of the continuous loop hoist chain.
- 3** The disconnect chain must be released from the chain keeper before the door will operate again electrically.

MODEL J

This operator has a floor level disconnect chain to disconnect the door from the door operator.

- 1** To disengage, pull the disconnect chain (sash chain) and secure in the disengaged position by slipping the end through the keyhole bracket mounted on the wall.
- 2** The door may now be pushed up or pulled down manually.
- 3** Release the disconnect chain to operate the door again electrically.

MODEL HJ

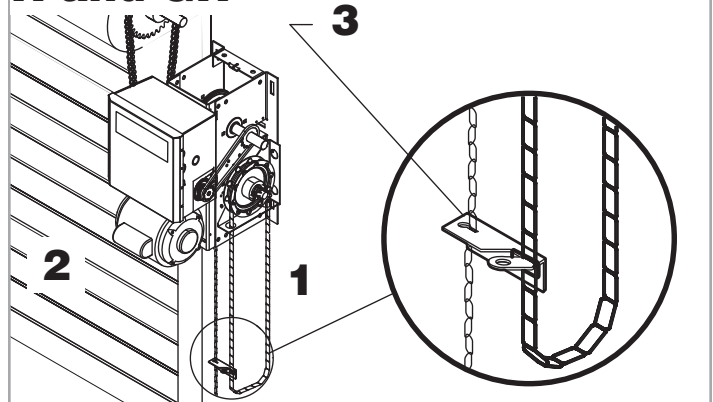
This operator includes both a floor level disconnect chain (sash chain) to disconnect the door from the door operator and a disconnect chain with manual hoist to electrically disable the operator controls.

- 1** Pull the disconnect chain to engage the hoist mechanism. The disconnect chain may be locked in position by slipping the end through the keyhole of the chain keeper mounted on the wall.
- 2** To disengage, pull the disconnect chain and secure in the disengaged position by slipping the end through the keyhole bracket mounted on the wall.
- 3** Operate the door in the desired direction by pulling on one side or the other of the continuous loop hoist chain.
- 4** Release the disconnect chain to operate the door again electrically.

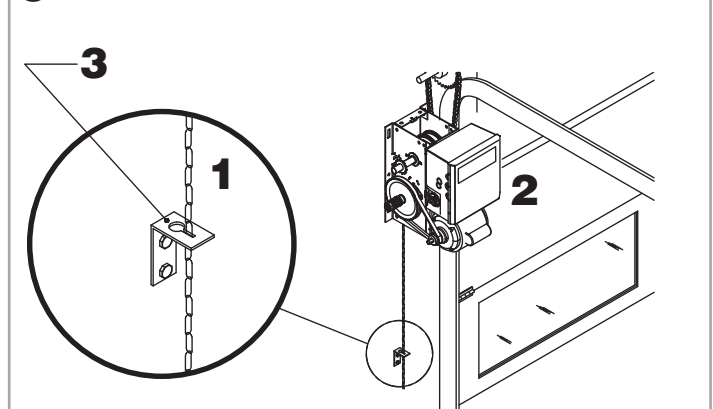
⚠ CAUTION

- To prevent possible **SERIOUS INJURY** from a moving chain:
- **DISCONNECT** electric power to the operator **BEFORE** manually operating your door.
 - If possible, use emergency disconnect **ONLY** when door is **CLOSED**. Weak or broken springs or unbalanced door could result in an open door falling rapidly and/or unexpectedly.
 - **NEVER** use emergency disconnect unless doorway is clear of persons and obstructions.

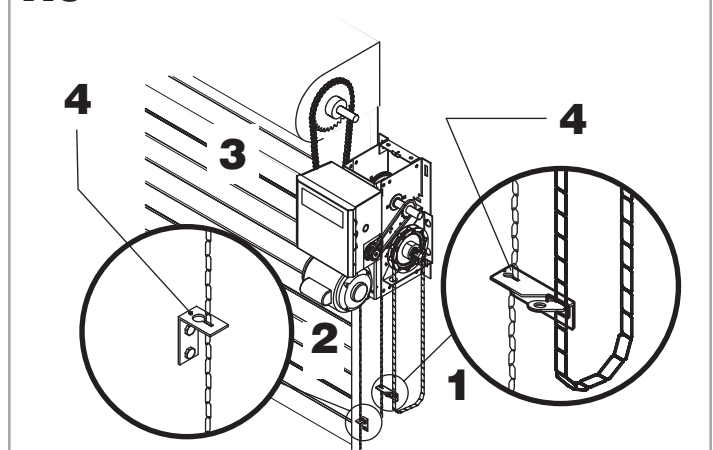
H and GH



J



HJ



TROUBLESHOOTING

To locate a dealer in your area visit us online at www.liftmaster.com.

CONDITION	POSSIBLE CAUSE	FIX
OPERATOR WILL NOT RESPOND TO ANY COMMANDS	No power	➤ Check circuit breaker.
	Accessory failure	➤ Verify photoelectric sensors are aligned.
	Possible component failure	➤ Contact your installing dealer.
OPERATOR MAKES NOISE BUT DOOR DOES NOT MOVE	Operator requires adjustment	➤ Contact your installing dealer.
DOOR DRIFTS AFTER OPERATOR STOPS	Operator or door requires adjustment	➤ Contact your installing dealer.
DOOR OPENS/ CLOSES TOO FAR	Operator requires adjustment	➤ Contact your installing dealer.
DOOR REVERSES UNEXPECTEDLY	Entrapment protection device activated	➤ Verify photoelectric sensors are aligned. If photoelectric sensors are aligned and operator still does not operate properly, contact your installing dealer.
<i>RADIO FUNCTIONALITY</i>		
NO RESPONSE	Remote control is not programmed	➤ See PROGRAMMING REMOTE CONTROLS section.
	Low battery	➤ Replace battery.
REMOTE CANNOT BE PROGRAMMED	Low battery	➤ Replace battery.
POOR RANGE	Low battery in remote	➤ Replace battery.
	Possible radio interference	➤ Contact your installing dealer.

MAINTENANCE SCHEDULE

WARNING

To avoid **SERIOUS** personal **INJURY** or **DEATH**:

- Disconnect electric power **BEFORE** performing ANY adjustments or maintenance.
- ALL maintenance **MUST** be performed by a trained door systems technician.

Every 3 months or 5,000 cycles repeat all tests in the Testing section.

Call a trained door systems technician. To locate a dealer in your area visit us online at www.liftmaster.com.

The operator should be serviced at the following intervals:

- Every 3 months or 5,000 cycles
- Every 6 months or 10,000 cycles
- Every 12 months or 20,000 cycles

ACCESSORIES

ENTRAPMENT PROTECTION DEVICES

MONITORED

CPS-U



Dual-Sided Infrared Photoelectric Sensors

- NEMA 1 general purpose enclosure.
- Dual-sided infrared sensors.
- For indoor use.
- Maximum range of 30 feet (9.1 m).

CPS-UN4



Monitored Thru-Beam Photoelectric Sensors

- Heavy-duty housing for industrial applications.
- NEMA 4 enclosure protects against direct spray.
- Dual-sided infrared sensors.
- For indoor/outdoor use.
- Maximum range of 45 feet (13.7 m).

CPS-RPEN4



Monitored Retro-Reflective Photoelectric Sensors

- Polarized reflector for use in applications with highly reflective surfaces.
- NEMA 4X enclosure protects against direct water spray and corrosion.
- Retro-reflective sensor.
- For indoor/outdoor use.
- Maximum range of 50 feet (15 m).

CPS-OPEN4



Monitored Dual-Sided Photoelectric Sensors

- Flexible housings maintain alignment in areas with a high propensity for sensor contact.
- NEMA 4X enclosure protects against direct water spray and corrosion.
- Dual-sided infrared sensors.
- For indoor/outdoor use.
- Maximum range of 45 feet (13.7 m).

Optical Edge System (OES)

OES-SD16



Optical Edge System

16 feet (4.9 m) Sectional 2-Wire Door Edge Kit with infrared optical sensors, rubber door edge and all mounting hardware (channel sold separately).

OES-SD24



Optical Edge System

24 feet (7.3 m) Sectional 2-Wire Door Edge Kit with infrared optical sensors, rubber door edge and all mounting hardware (channel sold separately).

OES-RD16



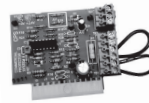
Optical Edge System

16 feet (4.9 m) Rolling 2-Wire Door Edge Kit with infrared optical sensors, rubber door edge and all mounting hardware (door channel not required).

- Rubber door edge is durable, flexible and easy to install.
- Premium rubber can be cut to length for exact fit.
- NEMA 6 rating protects against moisture and standing water.
- Infrared optical sensors eliminate the need for electrical contacts.
- Maximum range of 33 feet (10 m).
- Sectional and rolling door edges are also available in 50 foot (15 m) bulk rolls, along with individual components for additional savings on large installation jobs.

MONITORED

CPS3CARD



Safety Interface Card

Plug-in Interface card enables use of a second set of monitored photo eyes or edge with a commercial door operator (also known as 041K0811).

CPS-MEI

Edge Interface 2-Wire Monitored

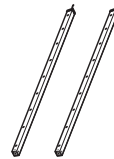
For use with approved 2-wire edges.

CPS-EI

Edge Interface 4-Wire Monitored

For use with approved 4-wire edges.

LC36M

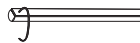


Monitored Light Curtain

Monitored, primary entrapment protection device that forms a 3-foot cross pattern of invisible light beams for maximum personnel and property protection. (See also 100MAPS.)

NON-MONITORED

65-8202



Vehicle Detection System

Pneumatic Sensing Edge Kit with exterior air switch, 2-wire coil cord and 14 foot (4.3 m) air hose.

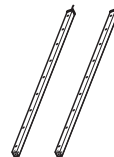
65-5202



Vehicle Detection System

Pneumatic Sensing Edge Kit with exterior air switch, 2-wire take-up reel (20 feet [6 m] extended) and 14 foot (4.3 m) air hose.

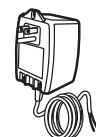
LC-36A



Light Curtain

Non-monitored entrapment protection device that forms a 3-foot cross-pattern of invisible light beams for maximum property protection. (See also 100MAPS.)

100MAPS



Plug-In Power Supply

Provides power to the LC-36A Light Curtain.

ACCESSORIES

myQ ACCESSORIES

828LM



LiftMaster® Internet Gateway

Enables owners of Commercial Door Operators to open and close their doors and turn on/off lights in or around their facility using a mobile device or computer from anywhere in the world.

819LMB



myQ® Home Bridge

Utilizes smartphone control to myQ enabled products that don't have built in Wi-Fi and controls your garage doors or lights from anywhere. Also enables secure in-garage delivery for Amazon Prime packages.

825LM



Remote Light Control

Automatically control your lights using your commercial door opener, a Security+ 2.0® remote control or a LiftMaster® Internet Gateway. Plugs into any interior outlet.

REMOTE CONTROLS WITH SECURITY+ 2.0® AND CONNECTIVITY

811LMX



Programmable DIP Switch Single-Button Remote Control

Ideal for commercial door applications requiring a large number of remotes for a common space.

813LMX



Programmable DIP Switch Three-Button Remote Control

Includes Red, Yellow and Green markings which Indicates Open, Close, Stop.

877LM



Wireless Keypad

Able to be programmed with temporary access codes for visitors or delivery personnel.

RADIO

STAR1000



Commercial Access Control Receiver

Connects up to 1000 LiftMaster® remote controls. Supports suspending and unsuspending remote controls to withhold and reinstate access.

850LM



Universal Receiver

Featuring Security+ 2.0® technology. Designed for both gated communities and commercial buildings to support and manage multiple access points multiple remote controls.

CONTROL STATIONS

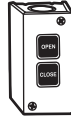
02-101



1-Button Control Station

Steel enclosure.

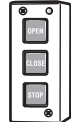
02-102



2-Button Control Station

Steel enclosure.

02-103L



3-Button Control Station

Steel enclosure with Maintenance Alert System.

02-110



Key Control Station

Indoor flush mount, NEMA 1 with Stop button.

02-401M



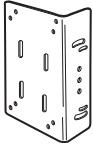
1-Button Control Station

Indoor/outdoor surface mount, single button to activate opening one commercial door.

ACCESSORIES

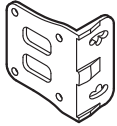
MOUNTING BRACKETS

10-12360



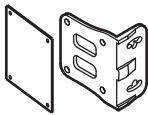
Heavy gauge steel bracket for vertical or horizontal mount on either front or top of coil on a rolling door. Has a variety of mounting hole patterns compatible with many OEM manufacturers. For use with J, H, DJ, and DH operators. May be welded.

08-9098



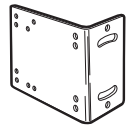
Cast iron bracket to mount J, H, DH, DJ, and GH side mount operators on end bracket of a rolling door or grill. For vertical or horizontal mount on either front or top of coil. Cannot be welded.

08-9098EZ



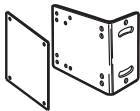
Same as 08-9098, but with adapter plate to hold mounting bolts in place for easy mounting.

1A4324



Heavy gauge steel bracket for vertical or horizontal mount on either front or top of coil on a rolling door. May be welded. For use with J, H, DJ, and DH operators.

1A4324EZ



Same as 1A4324, but with adapter plate to hold mounting bolts in place for easy mounting.

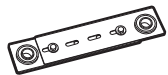
CHAIN TENSIONERS For Jackshaft Type Operators

71-6023

For 1" (2.5 cm) shafts. Recommended to properly tension drive chain between operator shaft and door shaft.

71-6125

Same as 71-6023, but for 1-1/4" (3.2 cm) shafts.



ADDITIONAL CONTROL ACCESSORIES

86LM (15' [4.6 m]) 86LMT (25' [7.6 m])



Antenna Extension Kit

The antenna extension kit can be used with EXT-ANT for maximum radio receiver range.

RGL24LY



Red/Green Traffic Light

Indicates when a commercial door reaches the open position. Provides assurance of safe entering and exiting of the facility, reducing the potential for costly accidents. (TLS1CARD is recommended)

RGL-CTL



Red/Green Traffic Light-Compact

Similar to RGL24LY function, but high-intensity LEDs and fully sealed enclosure. Ideal for single lane operations that require focused visibility. (TLS1CARD is recommended)

50-HERK2



Motion Detector 24V

Microwave motion detector with two independently programmable channels.

50450



Switch Sectional Door Interlock

NEMA 4 switch disables operator control circuit when door is locked preventing electrical operation of the door.

OPTION CARDS

TLS1CARD

Timer Light Status Card

The TLS option card provides special functionality to activate and flash auxiliary devices such as lights, bells, and horns/strobes at various door positions, and to provide special timer functions.

AUXCARD

Auxiliary Contact Card

The Auxiliary Contact option card has both Normally-Open and Normally-Closed contacts that actuate when the door is idle, opening, or closing.

© 2021 LiftMaster

All Rights Reserved

Wi-Fi® is a trademark of Wi-Fi Alliance®

App Store and the Apple and App Store logos are trademarks of Apple Inc.

Google Play and the Google Play logo are trademarks of Google LLC

Actionneur de porte commerciale Logic 5.0

GUIDE DE L'UTILISATEUR

Security+ 2.0®

myQ®

Modèles T, APT, H, J, HJ, GH, GT, SD, et GSD



CE PRODUIT DOIT ÊTRE INSTALLÉ ET ENTRETENU SEULEMENT PAR UN TECHNICIEN FORMÉ EN SYSTÈMES DE PORTE.

Les ouvre-portes sont expédiés en mode de fonctionnement C2. Rendez visite à www.LiftMaster.com pour localiser le revendeur-installateur le plus proche de chez vous.

GARANTIE DE 2 ANS

No de série _____

Date d'installation _____

COORDONNÉES



AVERTISSEMENT : Ce produit peut vous exposer à des produits chimiques comme le plomb, reconnu par l'État de la Californie comme cause de cancers, d'anomalies congénitales et d'autres problèmes liés à la reproduction. Pour plus d'informations, visitez www.P65Warnings.ca.gov.



LiftMaster
300 Windsor Drive
Oak Brook, IL 60523

LiftMaster.com

LiftMaster®

INTRODUCTION

Félicitations pour votre achat de qualité d'un actionneur de porte commerciale LiftMaster Logic 5.0.

L'actionneur Logic 5.0 vous offre les fonctions utiles et fiables de la version précédente en plus des nouvelles fonctions présentées ci-dessous :

myQ® Smart Facility Access

La technologie myQ® permet la surveillance et le contrôle sécurisés des actionneurs Logic 5.0 et autres accessoires myQ de n'importe où avec un appareil mobile ou un ordinateur grâce à l'appli myQ et la plateforme de gestion myQ® Smart Facility. Voir la page 3 pour plus d'information.

Security+ 2.0®

- Sécurité accrue – un nouveau code est envoyé à l'actionneur de porte commerciale à chaque clic de manière à garantir que la porte ne s'ouvre que pour la personne ayant appuyé sur une touche de la télécommande.
- La radio améliorée augmente la portée assurant ainsi que la porte ouvre, arrête et ferme correctement et de façon fiable à chaque fois.

Double tension

- Les actionneurs monophasés fournissent une tension de 115 V et 230 V
- Les actionneurs triphasés fournissent une tension de 208/230 V et 460 V.
- Actionneur 575 V

CYCLES NOMINAUX

SERVICE STANDARD: Modèles T, APT, J, DJ,
Jusqu'à 25 cycles/h aux périodes de pointe. H, DHJ, et SD
Jusqu'à 80 à 90 cycles/jour.

SERVICE SÉVÈRE: Modèles GT, GH, et GSD
25 cycles/h. haute charge continue
dépassant 90 cycles/jour.

myQ® SMART FACILITY ACCESS

LiftMaster propose une expérience connectée pour les entreprises de toutes tailles et leurs besoins d'accès.

La technologie myQ utilise un signal de 900 MHz pour communiquer de manière sécurisée à partir de vos appareils connectés à des accessoires activés par myQ ou à un réseau Wi-Fi. Une passerelle internet de LiftMaster modèle 828LM ou un pont myQ® Home Bridge modèle 819LMB est nécessaire pour la connectivité internet Wi-Fi. (Voir la page 10, Accessoires)

myQ APP

Télécharger l'appli myQ et suivre les invites à l'écran pour connecter vos produits commerciaux. L'appli myQ active la surveillance et le contrôle sécurisés des actionneurs Logic 5.0 et autres accessoires activés par myQ avec un appareil mobile.



- L'appli permet de recevoir des alertes au sujet de l'état d'une porte commerciale par courriel ou notifications poussées sur un appareil mobile.
- L'application myQ peut être téléchargée gratuitement et n'exige aucuns frais annuels d'activation.
- Les actionneurs connectés reçoivent les mises à jour logicielles actuelles.

myQ FACILITY MANAGEMENT

myQ Facility Management est une plateforme infonuagique de première classe pour gérer l'accès à un nombre illimité d'installations, d'utilisateurs et de véhicules de n'importe où. Surveillez et contrôlez les portes d'accès véhiculaire, les lieux protégés par barrière et même les positions du quai à partir d'une plateforme universelle.

- Le tableau de bord de l'installation fournit la bonne visibilité des personnes dans tous les points d'accès de l'installation.
- Attribuez l'accès à l'installation en fonction du rôle particulier d'un utilisateur, des permissions du dispositif et des horaires.
- La gestion des notifications fournit la possibilité d'attribuer à des utilisateurs particuliers la visibilité et la connaissance nécessaires pour traiter les problèmes et autres questions hors de l'ordinaire
- La fonction de rapport de veille commerciale fournit à l'installation les données nécessaires pour planifier adéquatement l'entretien en fonction de l'usage du matériel (au lieu d'un entretien préventif calendaire), mieux comprendre les possibilités d'économie d'énergie et assurer le suivi du temps relatif aux heures d'ouverture d'accès.
- Un actionneur de porte de quai connecté procure une visibilité complète des opérations de quai, y compris l'état des événements de la porte, la présence d'une remorque, l'état du niveleur de quai, l'état de la retenue de camion, la détection de chariot élévateur à fourche et l'emplacement de la remorque. L'efficacité générale à chaque position du quai est améliorée.

CRÉATION D'UN COMPTE

myQ® SMART FACILITY MANAGEMENT

REMARQUE : Si un compte myQ® existe déjà, votre compte Smart Facility Management aura le même mot de passe.

1. Appeler le service à la clientèle LiftMaster au 800 323-2276 pour activer un compte Smart Facility Management.
2. Un courriel de bienvenue de LiftMaster avec des instructions pour vous inscrire et vous connecter à votre compte vous sera envoyé.
3. Configurer l'installation et ajouter des utilisateurs et des groupes pour donner accès à l'installation (voir la section d'aide dans Smart Facility Management).
4. Suivre les invites à l'écran pour obtenir votre actionneur de porte commercial Logic 5.0 et des dispositifs supplémentaires connectés.

Aller à myQ.com pour plus d'information au sujet des solutions connectées myQ LiftMaster.

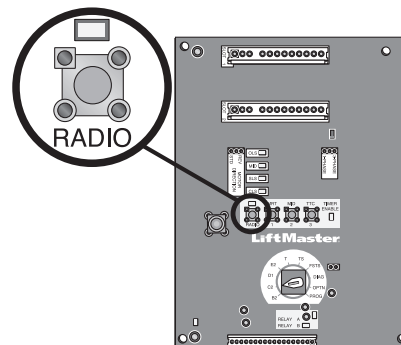
PROGRAMMATION DES DISPOSITIFS myQ®

1. Enfoncer et relâcher le bouton RADIO sur la carte logique pour entrer en mode de programmation. Le témoin à DEL du bouton radio s'allumera.
2. Placer le dispositif activé par myQ en mode d'apprentissage, voir les instructions pour le dispositif.
3. Lorsque la programmation est terminée, la DEL RADIO s'éteindra.

REMARQUE : L'actionneur quittera le mode de programmation après trois minutes si la programmation n'a pas été terminée, et la DEL RADIO s'éteindra.

EFFACEMENT DE TOUS LES DISPOSITIFS ACTIVÉ PAR myQ :

1. Enfoncer et relâcher le bouton RADIO sur la carte logique (la DEL RADIO s'allumera).
2. Tenir le bouton MAS enfoncé pendant 5 secondes. La DEL RADIO clignotera pendant environ cinq secondes et la DEL RADIO s'éteindra.



Tous les dispositifs activés par myQ sont maintenant effacés.

PROGRAMMATION

⚠ AVERTISSEMENT

Pour empêcher une BLESSURE GRAVE ou une MORT possible:

- Installer un dispositif de Protection contre le piégeage avec surveillance LiftMaster (LMEP).
- NE JAMAIS porter de montre ou de bagues lors de l'ouverture de l'enceinte ou d'une intervention dans celle-ci lorsque l'appareil est sous tension.
- Éviter tout contact avec tout fil ou point de connexion à l'intérieur de l'enceinte.
- Utiliser TOUJOURS une seule main à l'intérieur de l'enceinte en appuyant sur des boutons de la carte de circuit imprimé.
- NE JAMAIS permettre aux enfants de faire fonctionner ou de jouer avec les boutons poussoirs de la commande de porte ou avec les télécommandes.
- Activer la porte SEULEMENT lorsqu'elle peut être vue clairement, qu'elle est correctement ajustée et qu'il n'y a aucune obstruction au déplacement de la porte.
- TOUJOURS garder la porte en vue jusqu'à ce qu'elle soit entièrement fermée. NE JAMAIS permettre à quiconque de croiser la trajectoire d'une porte qui se ferme.

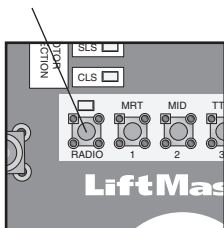
TÉLÉCOMMANDES

Le récepteur radio à 3 canaux Security+ 2.0® vous permet de programmer jusqu'à 90 télécommandes et jusqu'à 30 dispositifs d'entrée dans clé.

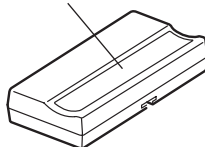
REMARQUE : La programmation suivante nécessite un dispositif de Protection contre le piégeage avec surveillance LiftMaster (LMEP).

TÉLÉCOMMANDE À UN BOUTON

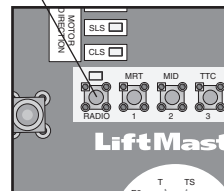
- 1** Appuyer et relâcher le bouton RADIO (la DEL RADIO s'allume).



- 2** Appuyer et tenir le bouton de la télécommande jusqu'à ce que la DEL RADIO clignote rapidement, puis relâcher la bouton de la télécommande. La DEL RADIO demeurera allumée lorsque le bouton sera relâché. Répéter pour ajouter des télécommandes additionnelles.



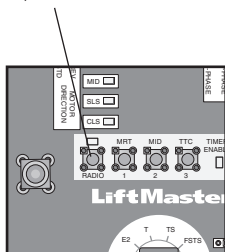
- 3** Appuyer et relâcher le bouton RADIO pour compléter la programmation. Le mode de programmation est quitté si aucune activité n'est effectuée durant 30 secondes.



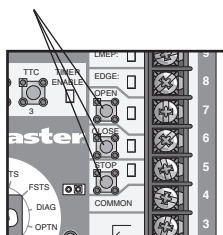
TÉLÉCOMMANDE À 3 BOUTONS POUR FONCTIONNER COMME UNE STATION DE CONTRÔLE SANS FIL À 3 BOUTONS

REMARQUE : Cette caractéristique utilisera 3 des 90 canaux de mémoire du système de fermeture.

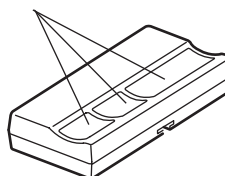
- 1** Appuyer et relâcher le bouton RADIO sur la carte logique (la DEL RADIO s'allume).



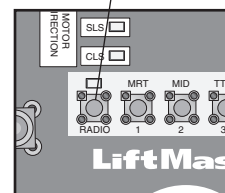
- 2** Enfoncer et relâcher le bouton désiré sur le tableau logique. (OPEN, CLOSE ou STOP). La DEL Radio clignote puis demeure allumée.



- 3** Tenir enfoncé le bouton désiré de la télécommande jusqu'à ce que la DEL radio clignote rapidement, puis relâcher le bouton.



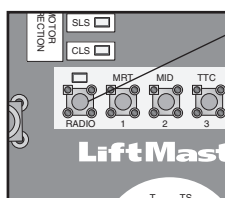
- 4** Appuyer et relâcher le bouton RADIO pour compléter la programmation. Le mode de programmation est quitté si aucune activité n'est effectuée durant 30 secondes.



Répétez les étapes 1 à 4 pour programmer des boutons supplémentaires.

POUR EFFACER TOUTES LES TÉLÉCOMMANDES

- 1** Appuyer et tenir le bouton RADIO sur la carte logique jusqu'à ce que la DEL RADIO clignote rapidement (environ 5 secondes). Toutes les télécommandes seront effacées.



AVIS : Pour ce conformer aux règlements de la FCC ou d'Industrie Canada (IC), l'ajustement ou les modifications à ce récepteur et/ou à ce transmetteur sont prohibées. IL N'Y A PAS D'AUTRES PIÈCES POUVANT ÊTRE RÉPARÉES PAR L'UTILISATEUR. Tout changement ou toute modification non expressément approuvé par la partie responsable de la conformité peut avoir pour résultat d'annuler l'autorité de l'utilisateur de faire fonctionner l'équipement. Cet appareil est conforme aux dispositions de la partie 15 du règlement de la FCC et de l'norme IC RSS-210. Le fonctionnement est sujet aux deux conditions suivantes : (1) ce dispositif ne peut pas causer d'interférences nuisibles, et (2) ce dispositif doit accepter toute interférence reçue, incluant les interférences qui pourrait causer un fonctionnement non désiré. Cet appareil numérique de la classe B est conforme à la norme NMB-003 du Canada. L'appareil doit être installé d'une façon où un minimum de 8 pouces (20 cm) est maintenu entre l'utilisateur/le passant et l'appareil lui-même.

PROGRAMMATION

⚠ AVERTISSEMENT

Pour empêcher une BLESSURE GRAVE ou une MORT possible:

- Installer un dispositif de Protection contre le piégeage avec surveillance LiftMaster (LMEP).
- NE JAMAIS permettre aux enfants de faire fonctionner ou de jouer avec les boutons poussoirs de la commande de porte ou avec les télécommandes.

- Activer la porte SEULEMENT lorsqu'elle peut être vue clairement, qu'elle est correctement ajustée et qu'il n'y a aucune obstruction au déplacement de la porte.
- TOUJOURS garder la porte en vue jusqu'à ce qu'elle soit entièrement fermée. NE JAMAIS permettre à quelqu'un de se trouver dans la trajectoire de la porte qui se ferme.

MINUTERIE DE FERMETURE

Caractéristique : La minuterie enclenche automatiquement la fermeture de la porte une fois la durée d'ouverture préprogrammée expirée. Tous les dispositifs de protection contre le piégeage doivent être dégagés.

Avantage : La porte se ferme automatiquement après un temps prédéterminé. Parfait pour les immeubles d'habitation, les postes de pompiers et autres applications où l'utilisateur désire que la porte se ferme automatiquement après une durée spécifiée.

Exigences : Au moins un dispositif de Protection contre le piégeage avec surveillance LiftMaster (LMEP) doit être installé. Le type de câblage doit être configuré à TS, T ou FSTS.

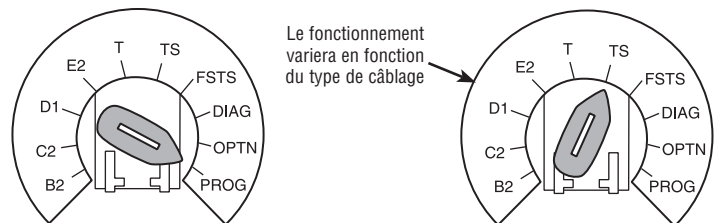
POUR PROGRAMMER MANUELLEMENT (MÉTHODE 1):

1. Fermer la porte.
2. Tourner le cadran de réglage à PROG.
3. Appuyer et relâcher le bouton TIMER (minuterie) sur la carte logique.
4. Appuyer et relâcher le bouton STOP (arrêt) pour vider la minuterie.
5. Appuyer et relâcher le bouton OPEN (ouvrir) pour chaque seconde pendant laquelle l'ouvre-porte devrait attendre avant de tenter de fermer la porte. Appuyer et relâcher le bouton CLOSE (fermer) pour chaque 15 secondes pendant lesquelles l'ouvre-porte devrait attendre avant de fermer la porte.

6. Appuyer et relâcher le bouton TIMER (minuterie) pour compléter la programmation. Les DEL OPEN (ouvrir)/CLOSE (fermer) clignotent pour confirmer la configuration de la minuterie. La DEL OPEN (ouvrir) clignote une fois pour chaque seconde programmée et la DEL CLOSE (fermer) clignote une fois pour chaque 15 secondes programmées.
7. Ramener le cadran de réglage au type de câblage désiré pour la minuterie (TS, T ou FSTS).

Exemple : Pour fermer la porte après 70 secondes. Tourner le cadran de réglage à PROG, appuyer et relâcher le bouton TIMER (minuterie), appuyer et relâcher le bouton STOP (arrêt) pour vider la minuterie, appuyer et relâcher le bouton CLOSE (fermer) quatre fois pour 60 secondes et appuyer et relâcher le bouton OPEN (ouvrir) 10 fois pour 10 secondes. Appuyer sur le bouton TIMER (minuterie) pour terminer la programmation de la minuterie. Ramener le cadran de réglage au type de câblage désiré pour la minuterie. (TS, T, FSTS).

CADRAN DE RÉGLAGE



PROGRAMMATION DE LA MINUTERIE DE FERMETURE PAR EXEMPLE (MÉTHODE 2) :

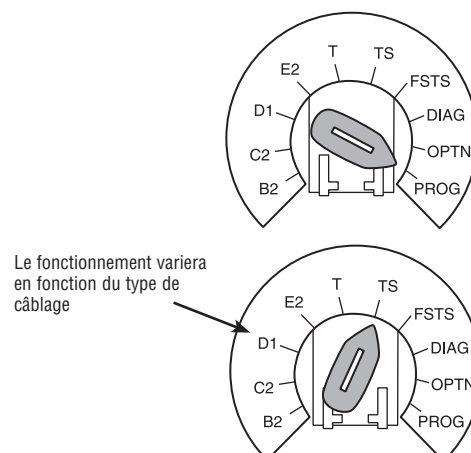
POUR PROGRAMMER :

1. Fermer la porte.
2. Tourner le cadran de réglage à PROG.
3. Appuyer et tenir le bouton TIMER (minuterie) durant 5 secondes jusqu'à ce que OPEN (ouvrir) et OLS clignotent puis relâcher.
4. Appuyer et relâcher le bouton OPEN (ouvrir) puis attendre que la porte atteigne la position entièrement ouverte ou mi-course.
5. Attendre que le temps désiré s'écoule. (Un chronomètre interne commence à compter lorsque la porte cesse de bouger.)
6. Appuyer et relâcher le bouton TIMER (minuterie), le bouton CLOSE (fermer) ou le bouton STOP (arrêt) pour arrêter la minuterie. (la DEL TIMER SET (réglage de minuterie) s'allume.)
7. Ramener le cadran de réglage au type de câblage désiré (T, TS ou FSTS).

REMARQUE : Pour relire le réglage de minuterie de fermeture, ramener le cadran de réglage à DIAG et appuyer sur le bouton TIMER (minuterie). La DEL OPEN (ouvrir) clignote une fois pour chaque seconde programmée et la DEL CLOSE (fermer) clignote une fois pour chaque 15 secondes programmées.

En mode T, la minuterie peut être désactivée de la position ouverte en appuyant sur le bouton STOP (arrêt). La minuterie sera réactivée lors de la prochaine commande de fonctionnement. Le bouton STOP (arrêt) NE désactivera PAS la minuterie en mode TS. Pour désactiver la minuterie durant plus d'un cycle en mode T ou en mode TS, fixer un interrupteur d'échec à 11 et 12 (COMMON (commun) et TIMER DEFEAT (échec de minuterie)).

CADRAN DE RÉGLAGE



DÉGAGEMENT MANUEL

⚠ AVERTISSEMENT

Pour empêcher une BLESSURE GRAVE ou une MORT possible à cause d'une porte ou d'un bras qui tombe:

- NE PAS se tenir debout sous le bras de porte lorsqu'on tire le dégagement d'urgence.
- Si possible, utiliser la poignée de dégagement d'urgence pour désengager le chariot SEULEMENT lorsque la porte est FERMÉE. Des ressorts fiables ou brisés ou une porte non balancée pourraient faire en sorte qu'une porte ouverte tombe rapidement ou subitement.

- NE JAMAIS utiliser la poignée de dégagement manuelle à moins que l'embrasure de la porte soit libre de toute personne ou obstruction.

SYSTÈME DE DÉCONNEXION D'URGENCE MODÈLES GT ET T

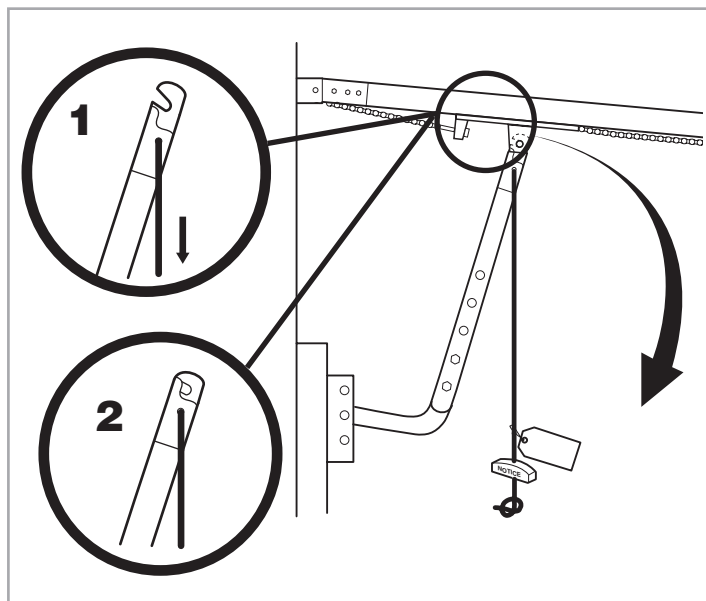
POUR DÉCONNECTER LA PORTE DE L'OUVRE-PORTE

La porte devrait être en position entièrement fermée si possible.

- 1** Tirer la poignée de dégagement d'urgence droit vers le bas. La déconnexion d'urgence s'ouvre.

POUR RECONNECTER LE BRAS DE PORTE AU CHARIOT

- 2** Lever le bout libre du bras de porte vers le chariot. Tirer la poignée de dégagement d'urgence pour permettre au bras d'engager la goupille cylindrique. Relâcher la poignée. La déconnexion d'urgence se ferme.



SYSTÈME DE DÉCONNEXION D'URGENCE MODÈLE APT

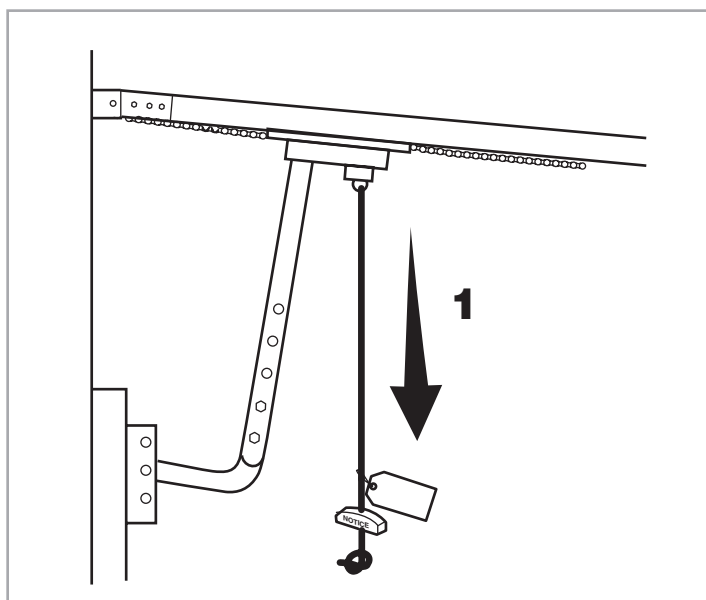
POUR DÉCONNECTER LA PORTE DE L'OUVRE-PORTE

La porte devrait être en position entièrement fermée si possible.

- 1** Tirer la poignée de dégagement d'urgence et lever ou baisser la porte manuellement.

POUR RECONNECTER LE BRAS DE PORTE AU CHARIOT

- 2** Le chariot se reconnectera lors de la prochaine opération UP ou DOWN, soit manuellement ou en utilisant la commande de porte ou la télécommande.



DÉGAGEMENT MANUEL

SYSTÈME DE DÉCONNEXION EN CAS D'URGENCE MODÈLES H, GH, J ET HJ

Cet ouvre-porte permet de faire fonctionner la porte manuellement en cas d'urgence ou de panne d'électricité. Se référer aux instructions appropriées ci-dessous pour votre modèle d'ouvre-porte.

MODÈLES H ET GH

Ces ouvre-portes sont munis d'un palan manuel. Un verrouillage électrique désactive les commandes électriques lorsque le palan est utilisé. Pour utiliser le palan:

- 1** Tirer la chaîne de déconnexion pour engager le mécanisme de palan. La chaîne de déconnexion peut être verrouillée en position en glissant le bout à travers le trou du garde-chaîne monté au mur.
- 2** Faire fonctionner la porte dans la direction désirée en tirant un côté ou l'autre de la chaîne de palan à boucle continue.
- 3** La chaîne de déconnexion doit être dégager du garde-chaîne avant que la porte puisse fonctionner de nouveau de façon électrique.

MODÈLE J

Cet ouvre-porte dispose d'une chaîne de déconnexion au niveau du plancher pour déconnecter la porte de l'ouvre-porte.

- 1** Pour désengager, tirer la chaîne de déconnexion (chaîne à châssis) et fixer en position désengagée en glissant le bout à travers le support à trou monté au mur.
- 2** La porte peut maintenant être poussée vers le haut ou le bas manuellement.
- 3** Relâcher la chaîne de déconnexion pour faire fonctionner de nouveau la porte de façon électrique.

MODÈLE HJ

Cet ouvre-porte comprend une chaîne de déconnexion au niveau du plancher (chaîne à châssis) pour déconnecter la porte de l'ouvre-porte et une chaîne de déconnexion avec un palan manuel pour désactiver électriquement les commandes de l'ouvre-porte.

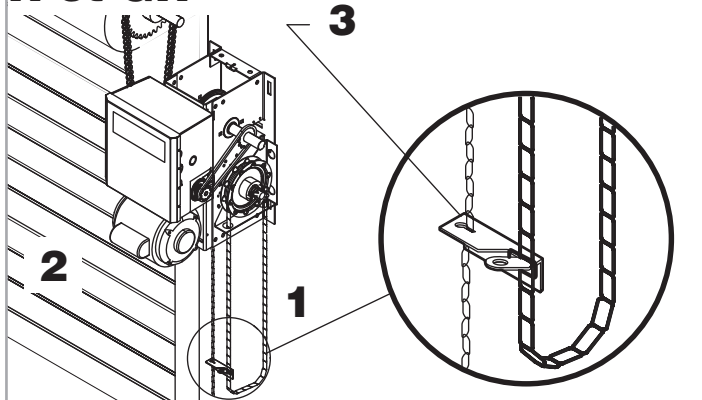
- 1** Tirer la chaîne de déconnexion pour engager le mécanisme de palan. La chaîne de déconnexion peut être verrouillée en position en glissant le bout à travers le trou du garde-chaîne monté au mur.
- 2** Pour désengager, tirer la chaîne de déconnexion et fixer en position désengagée en glissant le bout à travers le support à trou monté au mur.
- 3** Faire fonctionner la porte dans la direction désirée en tirant un côté ou l'autre de la chaîne de palan à boucle continue.
- 4** Relâcher la chaîne de déconnexion pour faire fonctionner de nouveau la porte de façon électrique.

⚠ ATTENTION

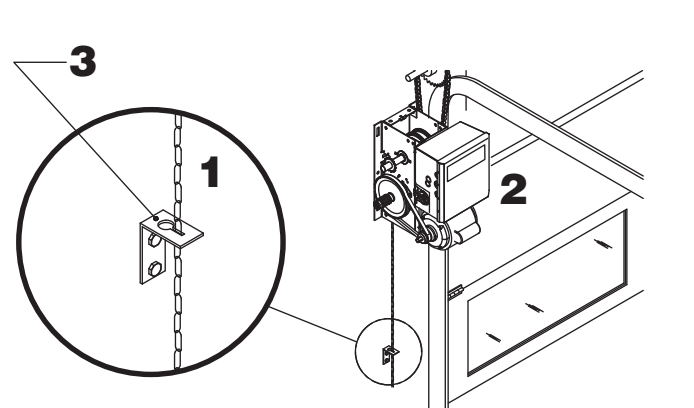
Pour empêcher une BLESSURE GRAVE possible causée par une chaîne en mouvement:

- DÉCONNECTER l'alimentation électrique à l'ouvre-porte AVANT de faire fonctionner votre porte manuellement.
- Si possible, utiliser la poignée la déconnexion d'urgence SEULEMENT lorsque la porte est FERMÉE. Des ressorts fiables ou brisés ou une porte non équilibrée pourraient faire en sorte qu'une porte ouverte tombe rapidement ou subitement.
- NE JAMAIS utiliser la déconnexion d'urgence à moins que l'embrasure de la porte soit libre de toute personne ou obstruction.

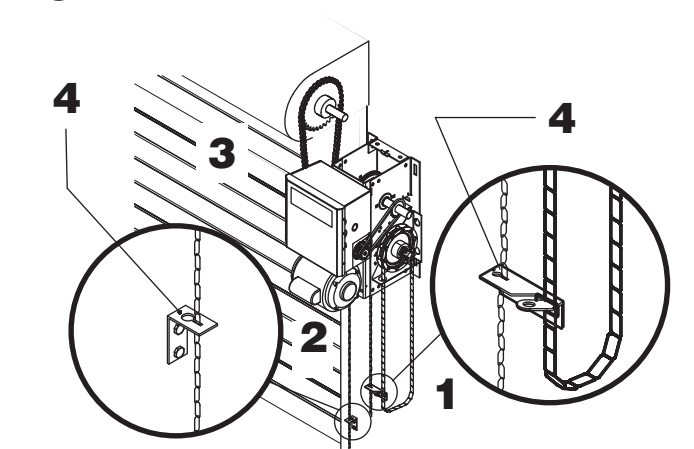
H et GH



J



HJ



DÉPANNAGE

Pour trouver un distributeur dans votre région, consulter notre site Web à www.liftmaster.com.

CONDITION	CAUSE POSSIBLE	CORRECTION
LE DISPOSITIF DE FERMETURE NE RÉPONDRA À AUCUNE COMMANDE	Pas d'alimentation	➤ Vérifier le disjoncteur.
	Panne d'un accessoire	➤ Vérifier que les capteurs photoélectriques sont alignés.
	Panne possible d'un composant	➤ Contacter le distributeur ayant installé le dispositif.
LE DISPOSITIF DE FERMETURE FAIT DU BRUIT MAIS LA PORTE NE BOUGE PAS	Le dispositif d'ouverture exige un réglage.	➤ Contacter le distributeur ayant installé le dispositif.
LA PORTE SE DÉPLACE APRÈS L'ARRÊT DU DISPOSITIF DE FERMETURE	Le dispositif ou la porte exige un réglage.	➤ Contacter le distributeur ayant installé le dispositif.
LA PORTE S'OUVRE/ SE FERME TROP LOIN	Le dispositif d'ouverture exige un réglage.	➤ Contacter le distributeur ayant installé le dispositif.
LA PORTE INVERSE SA COURSE SANS RAISON APPARENTE	Dispositif de protection contre l'emprisonnement activé.	➤ Vérifier que les capteurs photoélectriques sont alignés. Si ces derniers sont alignés et que le dispositif d'ouverture ne fonctionne toujours pas correctement, contacter le distributeur qui a installé le dispositif.
<i>FONCTIONNALITÉ RADIO</i>		
PAS DE RÉPONSE	La télécommande n'est pas programmée	➤ Reportez-vous à la section PROGRAMMATION DES TÉLÉCOMMANDES.
	Piles faible	➤ Remplacez la pile.
LA TÉLÉCOMMANDE NE PEUT PAS ÊTRE PROGRAMMÉE	Piles faible	➤ Remplacez la pile.
FAIBLE PORTÉE	Piles faibles dans la télécommande	➤ Remplacez la pile.
	Interférence radio possible	➤ Contacter le distributeur ayant installé le dispositif.

PÉRIODICITÉS D'ENTRETIEN

AVERTISSEMENT

Pour éviter des BLESSURES personnelles SÉRIEUSES ou la MORT:

- Déconnecter l'alimentation électrique AVANT d'effectuer TOUT ajustement ou entretien.

- TOUT entretien DOIT être effectué par un technicien formé en systèmes de porte.

Répéter tous les tests indiqués sous la rubrique Test tous les trois mois ou 5000 cycles.

Appeler un technicien formé aux systèmes d'ouverture de porte. Pour trouver un distributeur dans votre région, consulter notre site Web à www.liftmaster.com.

Le dispositif doit faire l'objet d'un entretien aux intervalles suivants:

- Chaque 3 mois ou 5,000 cycles
- Chaque 6 mois ou 10,000 cycles
- Chaque 12 mois ou 20,000 cycles

ACCESSOIRES

DISPOSITIF DE PROTECTION CONTRE LE PIÉGEAGE

SURVEILLÉ

CPS-U



Cellules photoélectriques infrarouges à deux côtés

- Enceinte à usage général NEMA 1.
- Capteurs infrarouges à deux faces.
- Pour utilisation intérieure.
- Portée maximale de 9,1 m (30 pi).

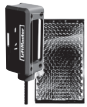
CPS-UN4



Cellules photoélectriques surveillées de type

- Boîtier ultra robuste pour applications industrielles.
- Boîtier NEMA 4 pour une protection contre la pulvérisation d'eau directe.
- Capteurs infrarouges à deux faces.
- Pour utilisation intérieure/extérieure.
- Portée maximale de 13,7 m (45 pi).

CPS-RPEN4



Cellules photoélectriques rétroréfléchissantes surveillées

- Faisceau polarisé convenant aux surfaces très réfléchissantes.
- Le boîtier NEMA 4X assure une protection contre pulvérisation d'eau directe et la corrosion.
- Capteur rétroréfléchissant.
- Pour utilisation intérieure/extérieure.
- Portée maximale de 15 m (50 pi).

CPS-OPEN4



Cellules photoélectriques infrarouges à deux côtés

- Boîtiers flexibles maintenant l'alignement dans les zones où le capteur risque fortement d'être heurté.
- Le boîtier NEMA 4X assure une protection contre pulvérisation d'eau directe et la corrosion.
- Capteurs infrarouges à deux faces.
- Pour utilisation intérieure/extérieure.
- Portée maximale de 13,7 m (45 pi).

Système de bordure de porte optique (OES)

OES-SD16



Système de bordure à capteurs optiques

Ensemble de bordure de porte de 4,9 m (16 pi) à 2 fils pour porte articulée, avec capteurs optiques infrarouges, bordure de porte en caoutchouc et quincaillerie de montage (rail vendu séparément).

OES-SD24



Système de bordure à capteurs optiques

Ensemble de bordure de 7,3 m (24 pi) à 2 fils pour porte articulée, avec capteurs optiques infrarouges, bordure de porte en caoutchouc et quincaillerie de montage (sauf rail de porte).

OES-RD16



Système de bordure à capteurs optiques

Ensemble de bordure de porte de 4,9 m (16 pi) à 2 fils pour porte déroulante, avec capteurs optiques infrarouges, bordure de porte en caoutchouc et quincaillerie de montage (rail de porte non requis).

- La bordure en caoutchouc est durable, souple et facile à installer.
- Le caoutchouc de qualité supérieure peut être coupé à la longueur désirée pour un ajustement exact.
- L'homologation NEMA 6 protège contre l'humidité et l'eau stagnante.
- Les capteurs optiques à infrarouge éliminent la nécessité de contacts électriques.
- Portée maximale de 10 m (33 pi).
- Les bordures pour portes articulées ou déroulantes sont aussi offertes en rouleaux de 15 m (50 pi), avec des composants individuels pour réaliser d'autres économies lors de grands travaux d'installation.

SURVEILLÉ

CPS3CARD



Carte d'interface de sécurité

La carte d'interface enfichable permet d'utiliser un deuxième jeu de cellules photoélectriques ou de bordure surveillées avec un actionneur de porte commerciale (also known as O41K0811).

CPS-MEI

Interface de bordure à 2 fils surveillée

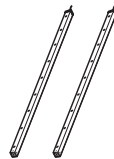
Pour utilisation avec les bordures de porte à deux fils approuvées.

CPS-EI

Interface de bordure à 4 fils surveillée

Pour utilisation avec les bordures de porte à quatre fils approuvées.

LC36M

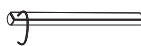


Barrière lumineuse surveillée

Dispositif de protection primaire contre le piégeage, surveillé, qui forme un motif croisé de 3 pieds de faisceaux lumineux invisibles pour une protection maximale des personnes et des biens (voir également 100MAPS).

NON-SURVEILLÉ

65-8202



Système de détection de véhicule

Ensemble de bordure de détection pneumatique avec interrupteur d'air extérieur, cordon enroulé à 2 fils et tuyau d'air de 4,3 m (14 pi).

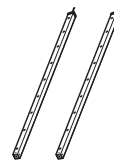
65-5202



Système de détection de véhicule

Ensemble de bordure de détection pneumatique avec interrupteur d'air extérieur, bobine réceptrice à 2 fils (6 m [20 pi] étendu) et tuyau d'air de 4,3 m (14 pi).

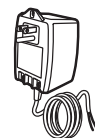
LC-36A



Rideau de lumière

Un dispositif de protection contre le piégeage qui forme un motif croisé de faisceaux de lumière invisibles pour assurer une protection maximale (Voir aussi 100MAPS).

100MAPS



Source d'alimentation électrique enfichable

Fournit l'alimentation au rideau de lumière LC-36A.

ACCESSOIRES

ACCESSOIRES myQ

828LM



LiftMaster® Internet Gateway

Permet aux propriétaires d'actionneurs d'ouvre-portes de garage d'application commerciale d'ouvrir et de fermer leurs portes de garage ainsi que d'allumer ou d'éteindre les lumières dans et autour de leurs installations au moyen d'un téléphone intelligent ou d'un ordinateur, et ce, de n'importe où dans le monde.

819LMB



myQ® Home Bridge

Utilise une commande par téléphone intelligent des produits activés par myQ qui n'ont pas de Wi-Fi intégré et commande vos portes de garage ou votre éclairage de n'importe où. Permet aussi la livraison sécurisée dans le garage des colis d'Amazon Prime.

825LM



Télécommande d'éclairage

Commandez automatiquement votre éclairage en vous servant de l'ouvre-porte de garage, d'une télécommande Security + 2.0® ou d'une passerelle internet LiftMaster®. Se branche dans n'importe quelle prise de courant intérieure.

TÉLÉCOMMANDES AVEC SECURITY+ 2.0® ET CONNECTIVITÉ

811LMX



Interrupteur DIP programmable, télécommande à un seul bouton

Idéal pour des portes de garage d'application commerciale pour lesquelles un grand nombre de télécommandes à l'intérieur d'un espace partagé est requis.

813LMX



Interrupteur DIP programmable, télécommande à trois boutons

Inclut des indicateurs rouges, jaunes et verts pour les fonctions d'ouverture, de fermeture et d'arrêt.

877LM



Clavier sans fil

Peut être programmé avec des codes d'accès temporaires pour les visiteurs ou les employés chargés de la livraison.

RADIO

STAR1000



Récepteur de commande d'accès d'application commerciale

Programme jusqu'à 1 000 télécommandes LiftMaster®. Prend en charge les télécommandes qui permettent ou non la mise en veille afin d'interdire ou de rétablir l'accès.

850LM



Récepteur Universel

Avec technologie Security+ 2.0®. Conçu pour les ensembles résidentiels protégés et les immeubles commerciaux pour prendre en charge et gérer de multiples points d'accès et de multiples télécommandes.

STATIONS DE COMMANDE

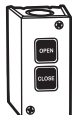
02-101



Station de commande à 1 bouton

Boîtier en acier.

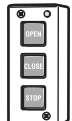
02-102



Station de commande à 2 boutons

Boîtier en acier.

02-103L



Station de commande à 3 boutons

Boîtier en acier avec Système d'alerte d'entretien.

02-110



Station de commande à clé

Montage encastré intérieur NEMA 1 avec bouton STOP (arrêt).

02-401M



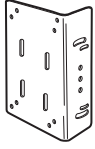
Station de commande à 1 bouton

À monter sur une surface intérieure. Présente un seul bouton pour activer l'ouverture d'une ou de plusieurs portes commerciales.

ACCESSOIRES

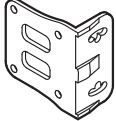
SUPPORTS DE MONTAGE

10-12360



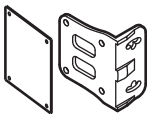
Support d'acier de forte épaisseur pour montage vertical ou horizontal sur le devant ou le haut du rouleau d'une porte roulante. Comporte une variété d'arrangements de trous de montage compatibles avec plusieurs fabricants d'équipement. Pour utilisation avec les ouvre-portes J, H, DJ et DH. Peut être soudé.

08-9098



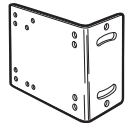
Support en fonte pour monter les ouvre-portes à montage latéral J, H, DH, DJ et GH sur un support de bout d'une porte ou grille roulante. Pour montage vertical ou horizontal à l'avant ou en haut du rouleau. Ne peut pas être soudé.

08-9098EZ



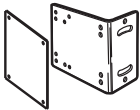
Comme 08-9098, mais avec une plaque adaptatrice pour tenir les boulons de montage en place pour montage plus facile.

1A4324



Support d'acier de forte épaisseur pour montage vertical ou horizontal sur le devant ou le haut du rouleau d'une porte roulante. Peut être soudé. Pour utilisation avec les ouvre-portes J, H, DJ et DH.

1A4324EZ



Même que 1A4324, mais avec une plaque adaptatrice pour tenir les boulons de montage en place pour montage plus facile.

TENDEURS DE CHAÎNE

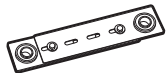
Pour ouvre-porte de type arbre secondaire

71-6023

Pour arbres de 2,5 cm (1 po). Recommandé pour une tension appropriée de la chaîne d'entraînement entre l'arbre de l'ouvre-porte et l'arbre de la porte.

71-6125

Même que 71-6023, mais pour arbres de 3,2 cm (1-1/4 po).



CARTES À OPTION

TLS1CARD

Carte de statut d'éclairage et de minuterie

La carte à option TLS fournit des fonctions spéciales pour activer et faire clignoter des dispositifs auxiliaires comme des lumières, des sonneries et des klaxons/stroboscopes à diverses positions de porte et pour fournir des fonctions spéciales de minuterie.

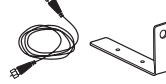
AUXCARD

Carte de contact auxiliaire

La carte à option Contact auxiliaire a des contacts normalement ouverts et normalement fermés qui sont actionnés lorsque la porte est à l'arrêt, qu'elle s'ouvre ou qu'elle se ferme.

ACCESSOIRES DE COMMANDE SUPPLÉMENTAIRES

86LM (4,6 m [15 pi])
86LMT (7,6 m [25 pi])



Ensemble d'extension d'antenne

L'ensemble d'extension d'antenne peut être utilisé avec une antenne extérieure pour une portée de réception radio maximale.

RGL24LY



Voyant de circulation rouge/vert

Indique lors qu'une porte commerciale atteint la position d'ouverture complète. Fournit l'assurance d'une entrée et sortie sécuritaire de l'installation, réduisant ainsi le potentiel d'accidents coûteux. (La TLS1CARD est recommandée)

RGL-CTL



Feu de circulation rouge/vert compact

Similaire à la fonction RGL24LY, mais avec des DEL à haute intensité lumineuse et une enceinte entièrement scellée. Idéal pour les opérations de voie simple qui exigent une visibilité ciblée. (La TLS1CARD est recommandée)

50-HERK2



Détecteur de mouvement de 24 V

Détecteur de mouvement à micro-ondes avec deux canaux programmables de manière indépendante.

50450



Verrouillage de l'interrupteur de porte articulée

L'interrupteur NEMA 4 désactive le circuit de commande de l'actionneur lorsque la porte est verrouillée, empêchant ainsi le fonctionnement électrique de la porte.

© 2021, LiftMaster
Tous droits réservés

Wi-Fi® est une marque déposée de Wi-Fi Alliance®.

App Store et les logos Apple et App Store sont des marques de commerce d'Apple Inc.

Google Play est une marque de commerce de Google LLC.