



# EL1SS

## Telephone Entry System

Installation and Set Up Manual

For How-to videos, visit the  
LiftMaster Training Academy at  
[LiftMasterTraining.com](http://LiftMasterTraining.com)

# LiftMaster®

<b>INTRODUCTION</b> . . . . .	<b>2-3</b>	<b>TEST</b> . . . . .	<b>13</b>
Cable Requirements . . . . .	2	Test the Gate/Door Relays . . . . .	13
Dimensions . . . . .	2	Test the Telephone Connections . . . . .	13
Carton Inventory . . . . .	3	Operation . . . . .	13
Description of the Processor Board . . . . .	3		
 <b>INSTALLATION</b> . . . . .	 <b>4-12</b>	 <b>SET UP</b> . . . . .	 <b>14-17</b>
Mount the Unit . . . . .	4	Installer - System Programming Using the Keypad . . . . .	14
Overview of Telco Wiring . . . . .	4	Additional System Programming Using the Keypad . . . . .	15
Typical Telco Overview with the Unit . . . . .	5	Resident - System Programming Using the House Phone . . . . .	16
Wiring the Unit with a Telco Line . . . . .	6	Resident - Direct Commands Using the House Telephone . . . . .	17
Wiring the Unit without a Telco line (Requires Intercom Mode) . . . . .	6	Resident - Direct Commands Using a Forwarded Telephone . . . . .	17
Wiring a Gate Operator (Normally Open) . . . . .	7		
Wiring an Auto-Call Sensor . . . . .	7		
Wiring a Gate Operator (Normally Open) and a Door Strike Lock (Normally Open) . . . . .	8	<b>REPAIR PARTS</b> . . . . .	<b>18</b>
Wiring a Gate Operator (Normally Open) and a Maglock (Normally Closed) . . . . .	9	<b>ELISS MASTER CODE</b> . . . . .	<b>18</b>
Wiring a Door Strike Lock (Normally Open) . . . . .	10	<b>WARRANTY</b> . . . . .	<b>19</b>
Wiring a Maglock (Normally Closed) . . . . .	10		
Earth Ground Rod . . . . .	11		
Power Wiring . . . . .	11		
Plug the Transformer into the Outlet . . . . .	12		
Close the Unit . . . . .	12		
Set the Unit Master Code . . . . .	12		



**WARNING:** This product can expose you to chemicals including lead, which are known to the State of California to cause cancer or birth defects or other reproductive harm. For more information go to [www.P65Warnings.ca.gov](http://www.P65Warnings.ca.gov)

**SPECIFICATION SUMMARY**

<b>System Features</b>	
<b>Entry Codes</b>	200 (4-digit) unique programmable entry codes
<b>Voice Communication</b>	Intercom/POTS/DSL
<b>Audio Circuit</b>	Full duplex voice communication
<b>Software</b>	None needed
<b>Auto-Call</b>	Enables immediate notification when a guest pulls up to the gate (requires optional presence sensor)
<b>Intercom Mode</b>	Yes
<b>Unique Ringing</b>	Yes
<b>Call Waiting</b>	Yes
<b>Call Forwarding</b>	Yes (Telco mode only)
<b>“Do Not Disturb” Mode</b>	Yes
<b>Party Mode</b>	Yes (holds open entryway)
<b>Vacation Mode</b>	Yes
<b>Temporary (1-Time) Entry Code</b>	Yes
<b>Basic Input/Output</b>	
<b>Gates/Doors of Control</b>	2
<b>Panel</b>	
<b>Faceplate</b>	Brushed stainless steel with green backlit metal keypad and illuminated call button
<b>Rear Housing</b>	Black powder-coated stainless steel
<b>Mounting Options</b>	Surface/gooseneck
<b>Power Supply</b>	120VAC to 16VDC transformer (included)
<b>Bypass Board</b>	Included; allows unit to be disconnected without interrupting normal telephone operation
<b>Temperature Range</b>	-4°F (-20°C) to 149°F (65°C)
<b>Height</b>	6.25 in. (15.88 cm)
<b>Width</b>	10 in. (25.4 cm)
<b>Depth</b>	5.25 in. (13.34 cm)
<b>Regulatory</b>	FCC Part 15, FCC Part 68, Industry Canada IC compliant
<b>Weatherization</b>	NEMA 3R
<b>Warranty</b>	2 Years

## CABLE REQUIREMENTS

Outdoor installations require shielded cable. Non-shielded cable can be used for indoor installations ONLY.

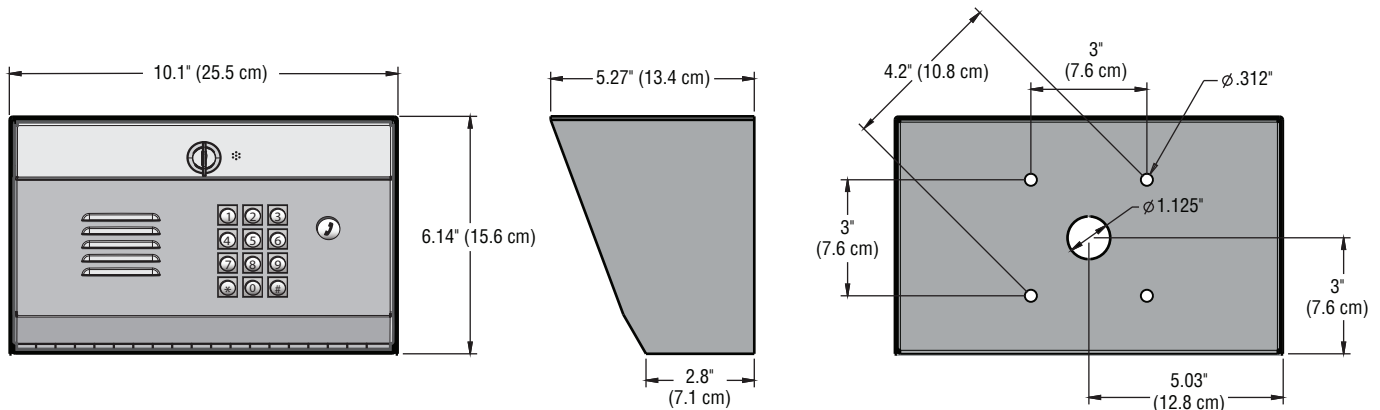
PROCESSOR BOARD	WIRE TYPE	RECOMMENDATIONS
From the power transformer at 120 Vac outlet	2 - Conductor Cable	Shielded Only - See <b>Power Wire Table Below</b>
From the door strike, maglock or gate operator	2 - Conductor Cable	See device specifications for wire size
From the strike power supply (if needed)	2 - Conductor Cable	See device specifications for wire size
From the Earth ground to processor board	12 AWG copper wire, PVC insulated or 12 AWG copper wire, uninsulated	Belden #9912  Belden #8011
Residence and Telco phone lines	24 AWG twisted pair telephone wire	Shielded - Belden #9502
From the processor board	24 AWG twisted pair telephone wire	Shielded - Belden #9502
Between processor boards on multiple entrance installation	24 AWG twisted pair telephone wire	Shielded - Belden #9502

**POWER WIRE TABLE**

DISTANCE	AC POWER WIRE SIZE
Under 30 feet (9.1 m)	18 AWG
30 - 75 feet (9.1 - 22.9 m)	18 AWG
75 - 150 feet (22.9 - 45.7 m)	18 AWG
150 - 250 feet (45.7 - 76.2 m)	16 AWG
250 - 500 feet (76.2 - 152.4 m)	12 AWG

**NOTE:** LiftMaster is not responsible for conflicts between the information listed in the above table and the requirements of local building codes. The information is for suggested use only. Check local building codes before installation.

## DIMENSIONS

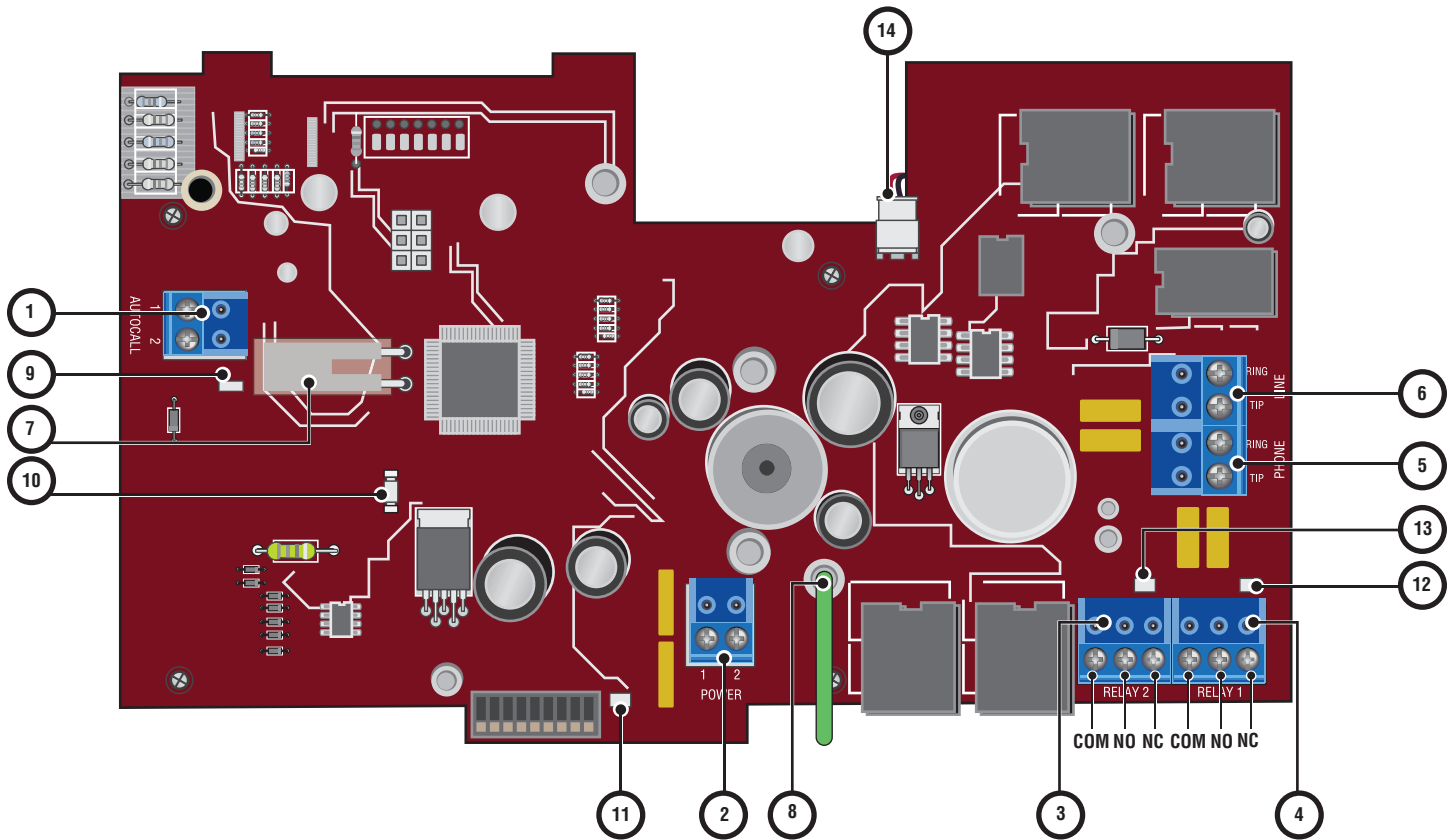


**Power Supply:** 16 Vdc 2.5A

## CARTON INVENTORY

Unit (1)  
 Set of keys (1)  
 16.5 Vdc 2.5A Plug-In UL Listed Power Transformer (1)  
 Bypass Board (1)  
 Manual (1)

## DESCRIPTION OF THE PROCESSOR BOARD



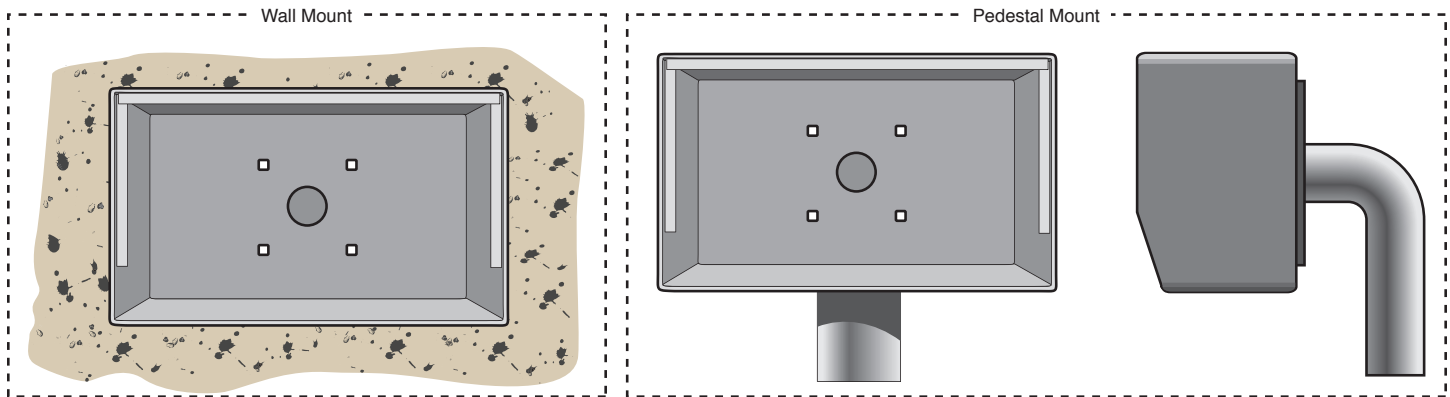
- |   |   |
|---|---|
| <p>① <b>Autocall Input:</b> Connector for accessory device to trigger home dialing.</p> <p>② <b>Power Connector:</b> 16.5 Vdc, non-polarized input.</p> <p>③ <b>Relay 2 Output:</b> Form “C” secondary control relay.</p> <p>④ <b>Relay 1 Output:</b> Form “C” primary control relay.</p> <p>⑤ <b>Phone Output:</b> Telephone return connection to home or office phones.</p> <p>⑥ <b>Line Input:</b> Telephone input connection from “Telco” service provider.</p> <p>⑦ <b>Tamper Switch:</b> Once triggered the alarm can only be turned off by removing power.</p> | <p>⑧ <b>Ground Wire:</b> Wire must be connected to positive earth ground. See Earth Ground Rod.</p> <p>⑨ <b>Call Button Illumination LED</b></p> <p>⑩ <b>Voice Data Send Status LED</b></p> <p>⑪ <b>Power Status LED</b></p> <p>⑫ <b>Relay 1 (Primary) Output Status LED</b></p> <p>⑬ <b>Relay 2 (Secondary) Output Status LED</b></p> <p>⑭ <b>Speaker Wire</b></p> |
|---|---|

## MOUNT THE UNIT

1. Choose the mounting location for the unit.
2. Unlock faceplate and open.
3. Mark holes and pre-drill holes.
4. Mount to a solid surface or post (hardware not provided).
5. Ensure proper drainage away from the enclosure when installing.

**Accessories:** Optional method to mount.

LiftMaster Gooseneck Pedestal Post Models PED42 or PED64



## OVERVIEW OF TELCO WIRING

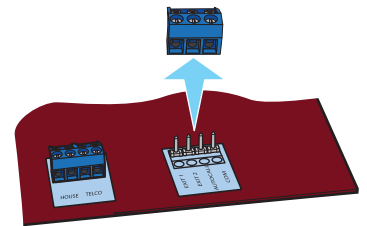
Many phone companies have updated their color standards due to the use of Cat 5 cable for most phone line installs, and keep residential and business installs in line with each other. In the new standard, there is no green, red, black or yellow wires, they have been replaced by white/blue, blue/white, white/orange, and orange/white. If the wire is primarily orange with white stripes then that color is orange/white. Refer to the table below. The NID labels will most likely have the old coloring scheme on them, and most telephone wiring components you can purchase will still reflect the original colors.

Function	Old Color Standard	New Color Standard
Tip 1	Green	White/Blue
Ring 1	Red	Blue/White
Tip 2	Black	White/Orange
Ring 2	Yellow	Orange/White

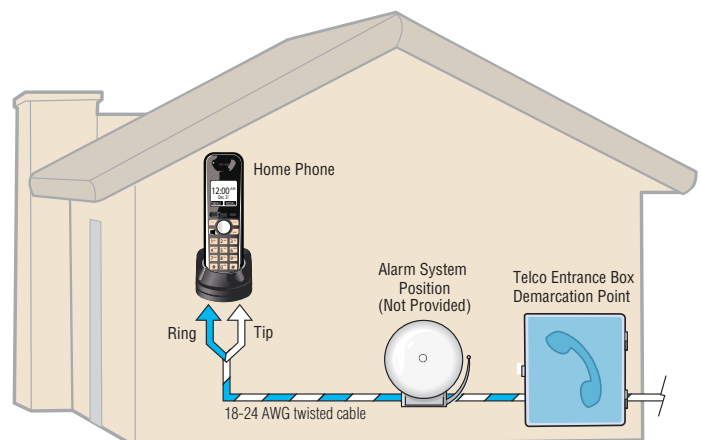
### NOTES:

- Use 18 to 22 AWG twisted cable (Belden #9501 or equivalent) for all telephone line connections.
- Avoid splicing wires when possible or use gel filled telephone splice connectors to prevent connectivity problems.
- The voltmeter measurement between the Tip and Ring should be between 48 and 53 Vdc.
- Never run data wires and high voltage wires in the same conduit. The high voltage wires may interfere with the data wires and cause the system to malfunction.
- Reversed polarity will not damage the unit, however, some telephones will not function properly.
- The EL1SS is intended for use with a single access control system (phone line can not be shared with multiple EL1SS's).

- Wire connectors can be removed to simplify wiring.
- DO NOT overload wire connectors. Use ONLY one wire per hole.



### Typical Telco Overview



## TYPICAL TELCO OVERVIEW WITH THE UNIT

### CONNECTING THE BYPASS BOARD

The bypass board allows the EL1SS unit to be disconnected without interrupting normal telephone operation. If the unit is used in conjunction with an alarm system, you must connect the telephone line to the alarm system first or the unit will not operate properly.

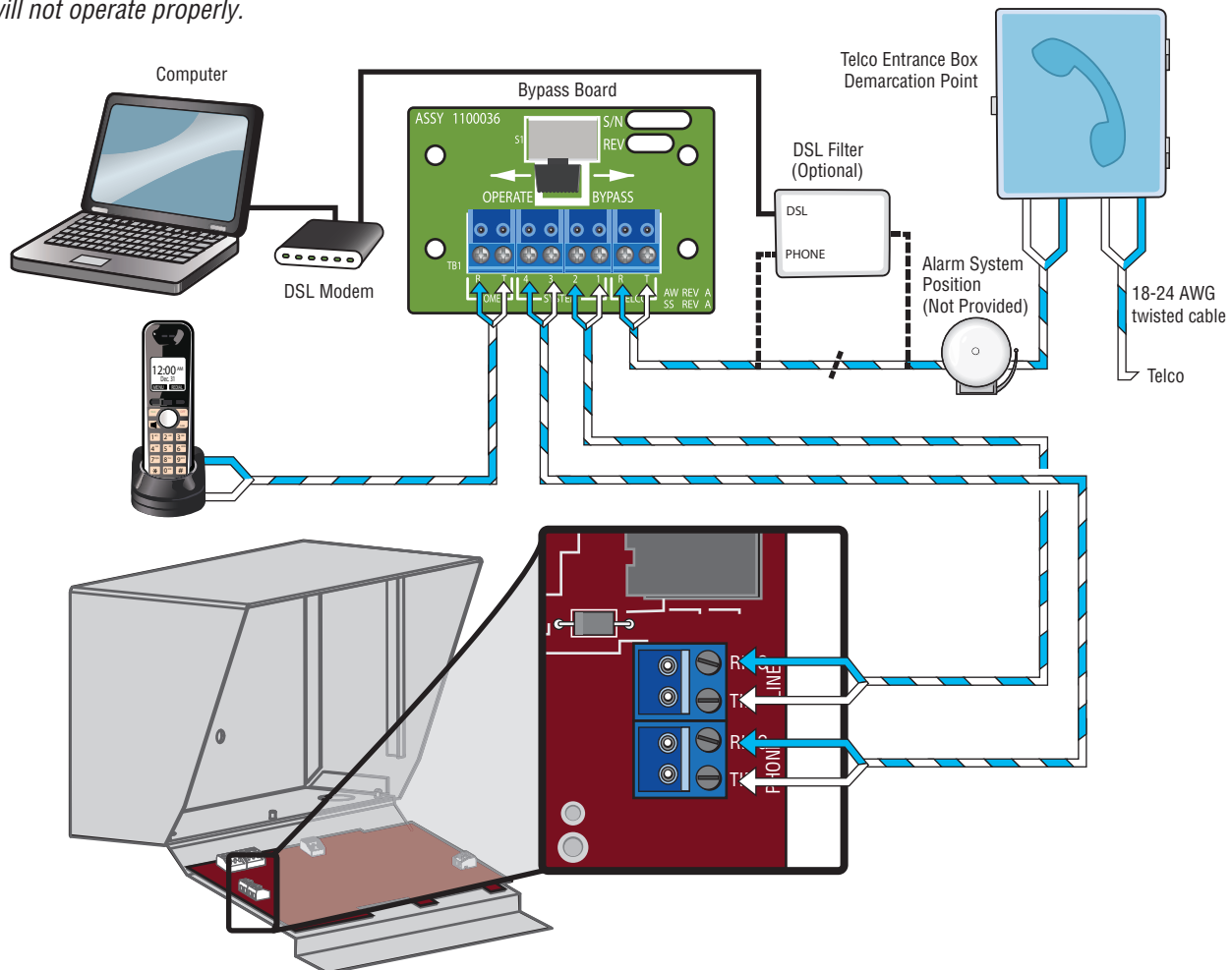
#### NOTES:

- When a unit is **in use**, the bypass switch must be set to **operate**.
- When a unit is **disconnected**, the bypass switch must be set to **bypass**.
- If the unit will be connected with an alarm system, you must connect the telephone line to the alarm system first in the series from the Telco box. If the units are not connected in this order, they will not operate properly.

### WARNING

Disconnect power at the fuse box **BEFORE** proceeding. The unit **MUST** be properly grounded and connected in accordance with national and local electrical codes. **NOTE:** The unit should be on a separate fused line of adequate capacity.

- A static discharge can damage circuit boards
- NEVER run telco wires and high voltage wires in the same conduit. The high voltage may interfere with the telco wires, possibly causing the system to malfunction.



Phone lines with DSL service. In order for the EL1SS to function normally a DSL filter is required to separate the DSL (digital) signal from the telephone service (POTS).

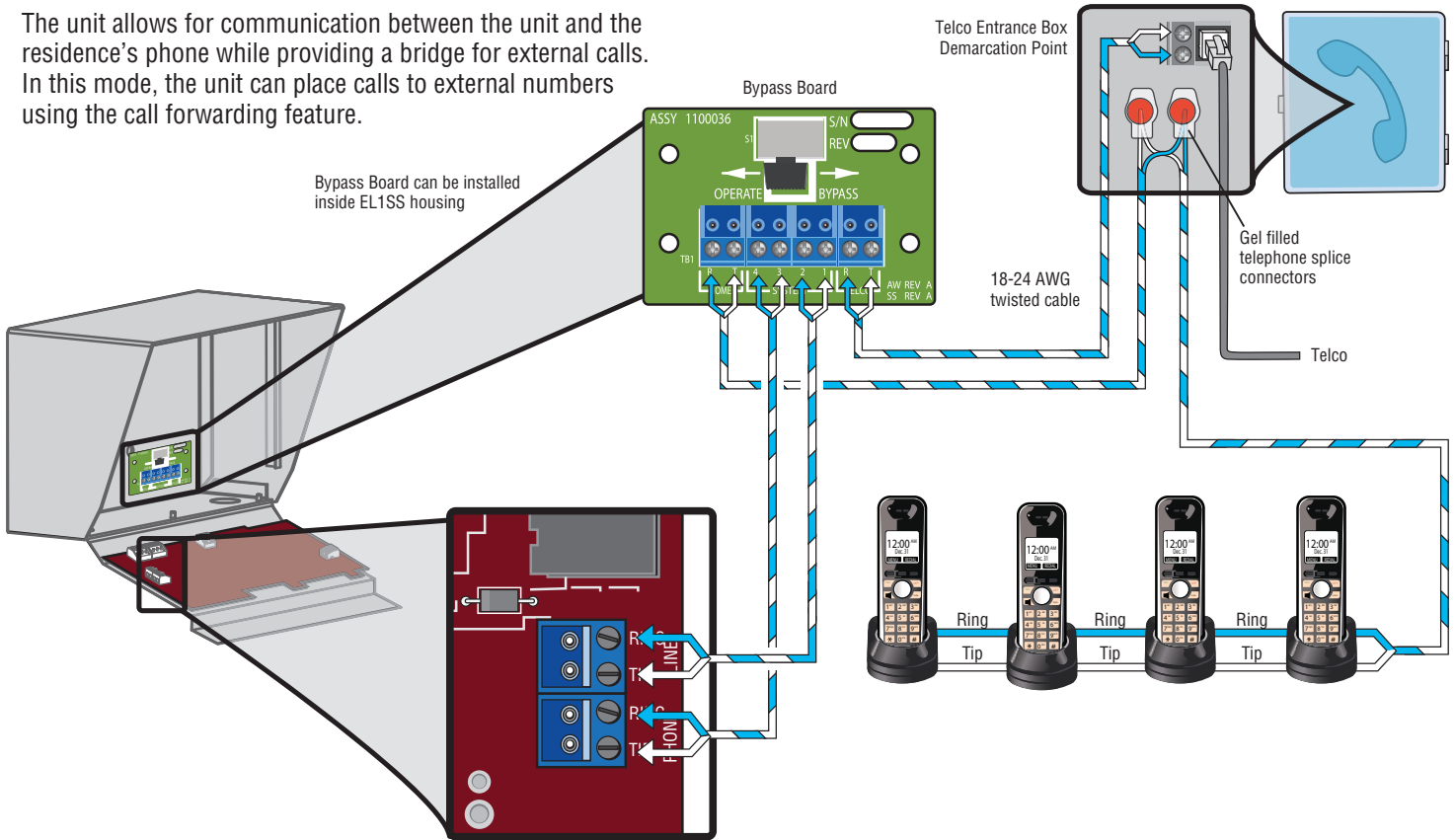
1. Install the splitter between the Telco entrance box and the EL1SS.
2. Route the DSL/Phone wires from the Telco entrance box to the splitter's input terminal.
3. Run a copper, twisted pair from the splitter's phone output to the EL1SS.
4. Run the data wires from the splitter to the resident's computer network.
5. Run the residence phone wires from the EL1SS to the residence phone(s).

*Never run data wires and high voltage wires in the same conduit. The high voltage wires may interfere with the data wires and cause the system to malfunction.*

### WIRING THE UNIT WITH A TELCO LINE

#### Ringer Equivalence Number (REN) = 4

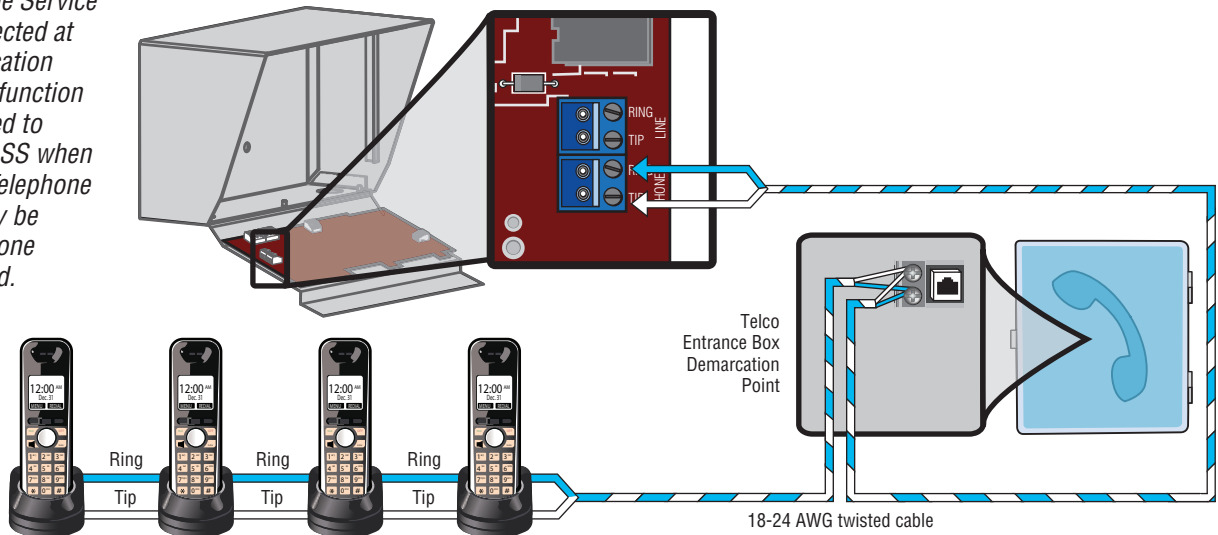
The unit allows for communication between the unit and the residence's phone while providing a bridge for external calls. In this mode, the unit can place calls to external numbers using the call forwarding feature.



### WIRING THE UNIT WITHOUT A TELCO LINE (REQUIRES INTERCOM MODE)

The unit can be a stand alone system that allows communication between the unit and the resident's phones.

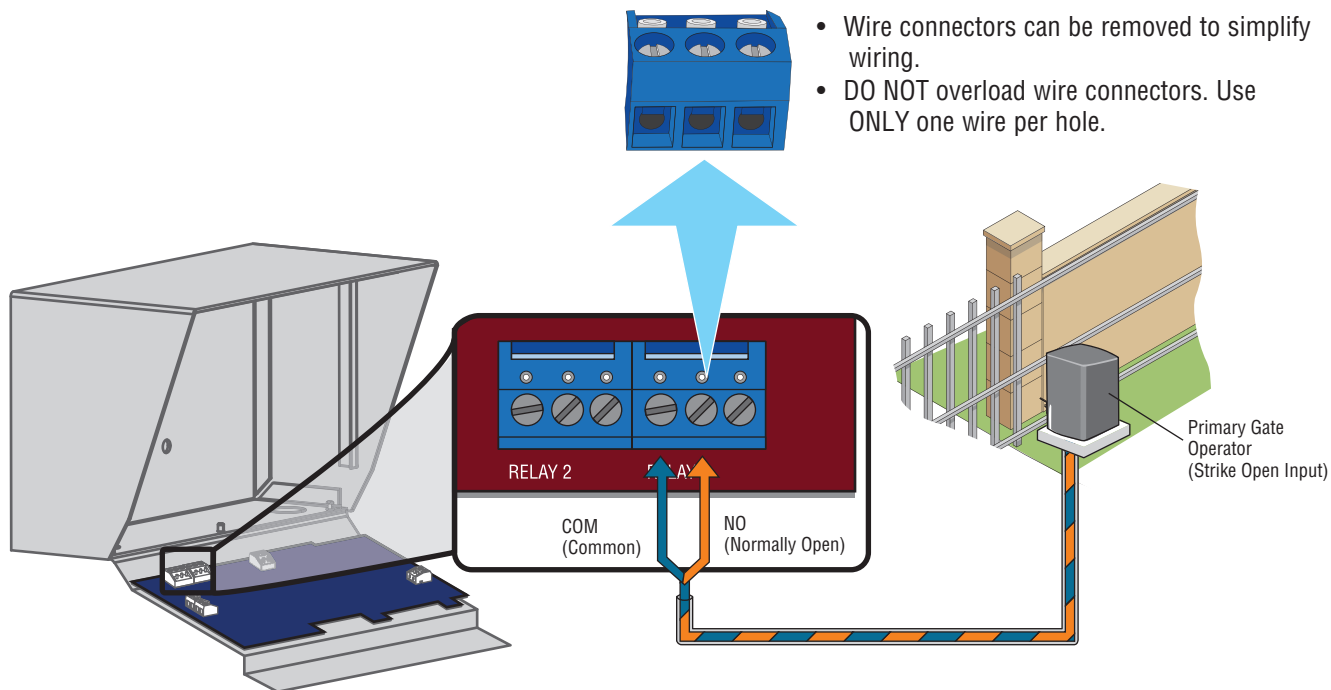
**NOTE:** Requires Intercom mode. See page 14. Telephone Service must be fully disconnected at Telco entrance demarcation point. EL1SS may malfunction if any voltage is allowed to back-feed into the EL1SS when in "Intercom Mode". Telephone company voltages may be present, even if telephone service is disconnected.



#### Ringer Equivalence Number (REN) = 4

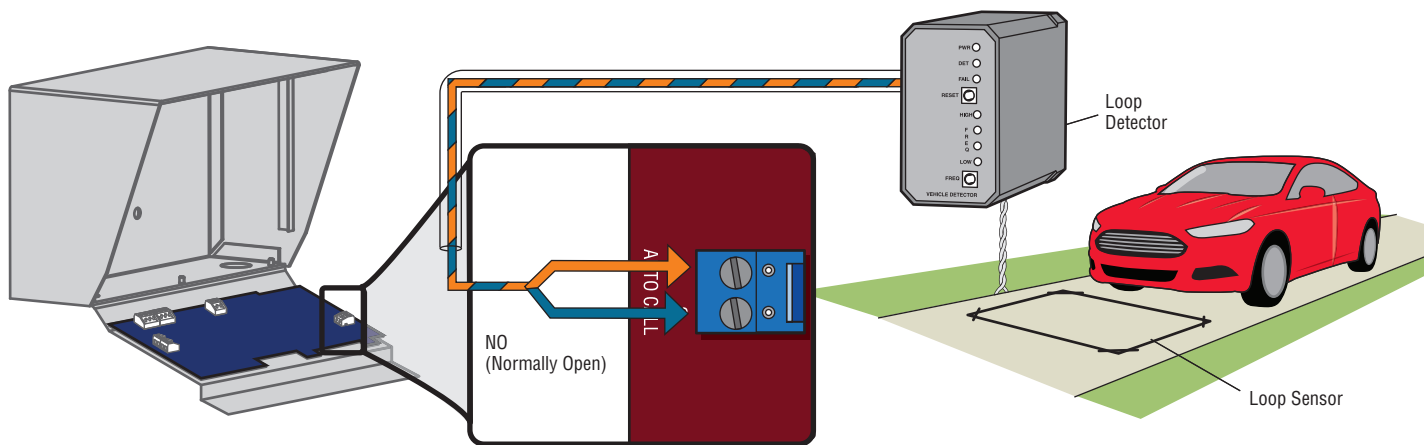
### WIRING A GATE OPERATOR (NORMALLY OPEN)

The gate operator can be connected to Relay 1 or Relay 2. See the *Set Up* section for information about configuring Relays 1 and 2.



### WIRING AN AUTO-CALL SENSOR

The Auto-Call feature will enable the unit to contact the resident when a driveway sensor (or any device that provides a contact closure) is activated.

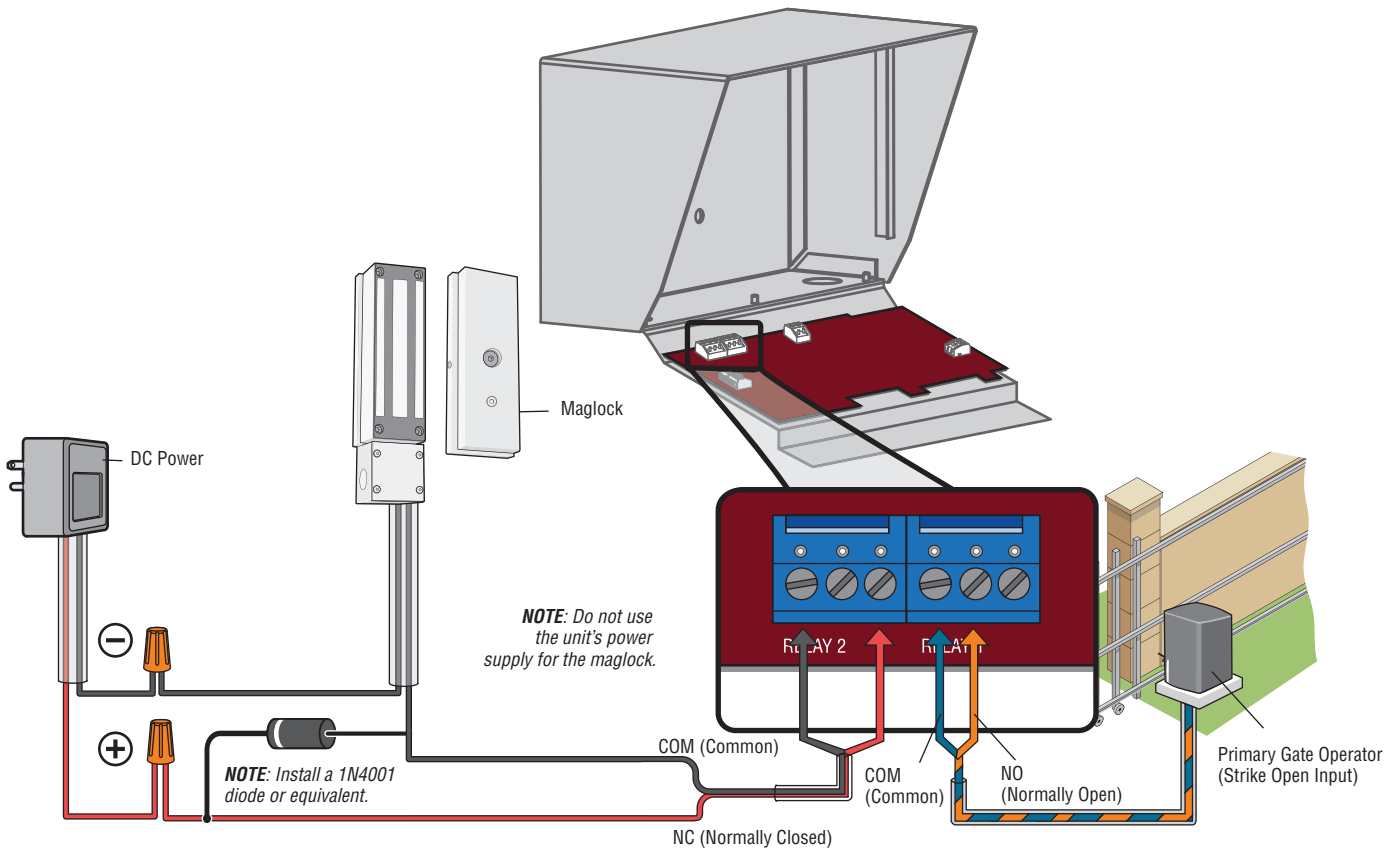






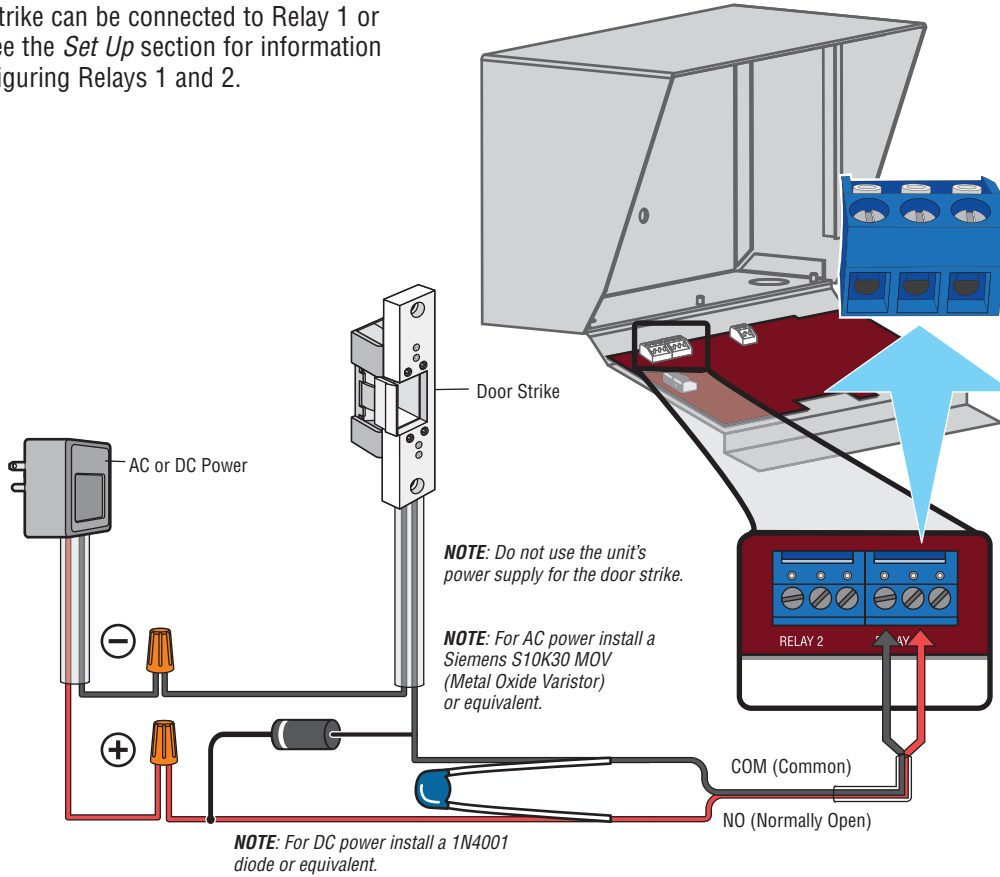
## WIRING A GATE OPERATOR (NORMALLY OPEN) & A MAGLOCK (NORMALLY CLOSED)

The maglock can be connected to Relay 1 or Relay 2. See the *Set Up* section for information about configuring Relays 1 and 2.



### WIRING A DOOR STRIKE LOCK (NORMALLY OPEN)

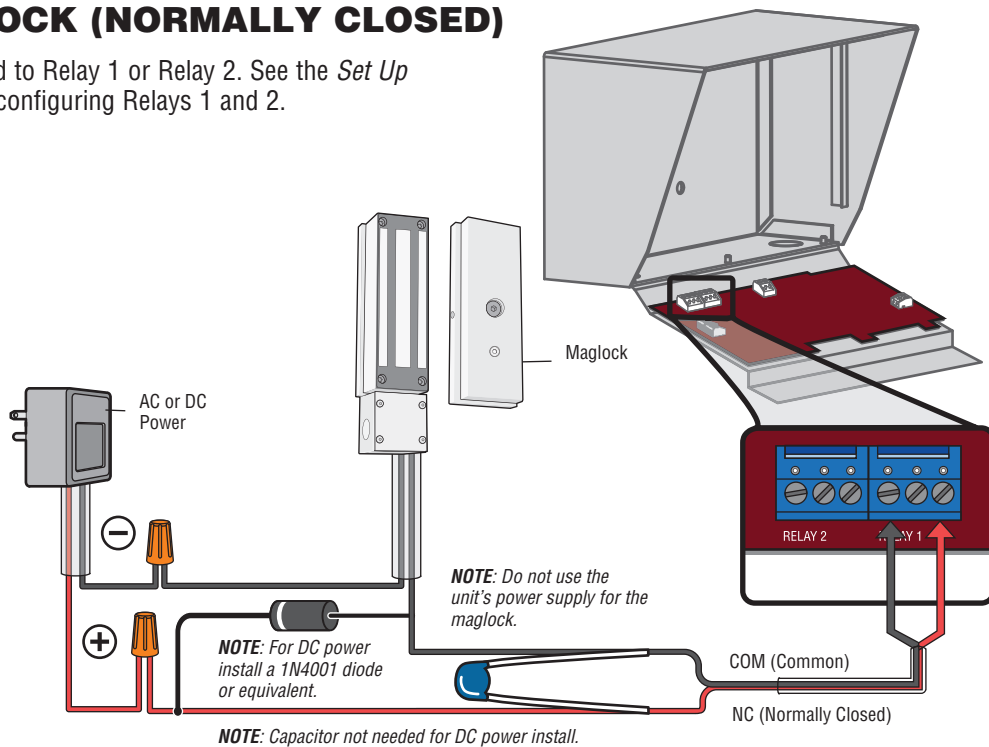
The door strike can be connected to Relay 1 or Relay 2. See the *Set Up* section for information about configuring Relays 1 and 2.



- Wire connectors can be removed to simplify wiring.
- DO NOT overload wire connectors. Use ONLY one wire per hole.

### WIRING A MAGLOCK (NORMALLY CLOSED)

The maglock can be connected to Relay 1 or Relay 2. See the *Set Up* section for information about configuring Relays 1 and 2.



## EARTH GROUND ROD

### CAUTION

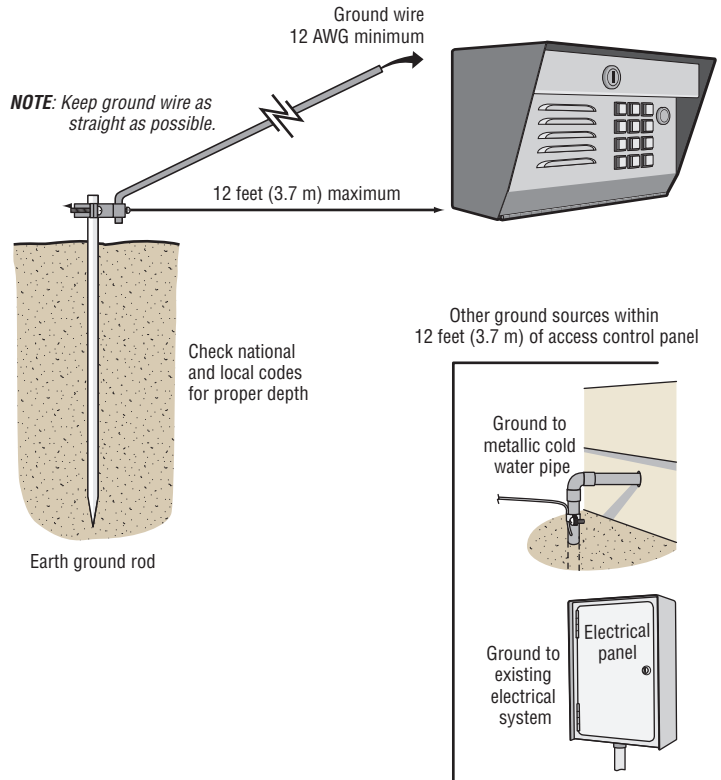
To AVOID damaging gas, power or other underground utility lines, contact underground utility locating companies BEFORE digging.

Connect the metal housing and the circuit board's green wire to a 12 AWG minimum gauge solid ground wire.

Run the 12 AWG minimum gauge solid ground wire from unit to suitable earth ground.

**NOTE:** Shield connections on boards should not be connected to ground wire.

**IMPORTANT:** An earth ground rod is strongly recommended and should be no further than 12 feet (3.7 m) from the unit and use a minimum of 12 gauge wire in most cases. The type and length of earth ground rods vary by region. Contact the building inspector's office in the municipality where you plan to install the unit for correct grounding materials and installation procedures.



## POWER WIRING

The 110 Vac outlet must be dedicated to the unit only. This outlet should be wired back to its own circuit breaker. This will prevent two problems:

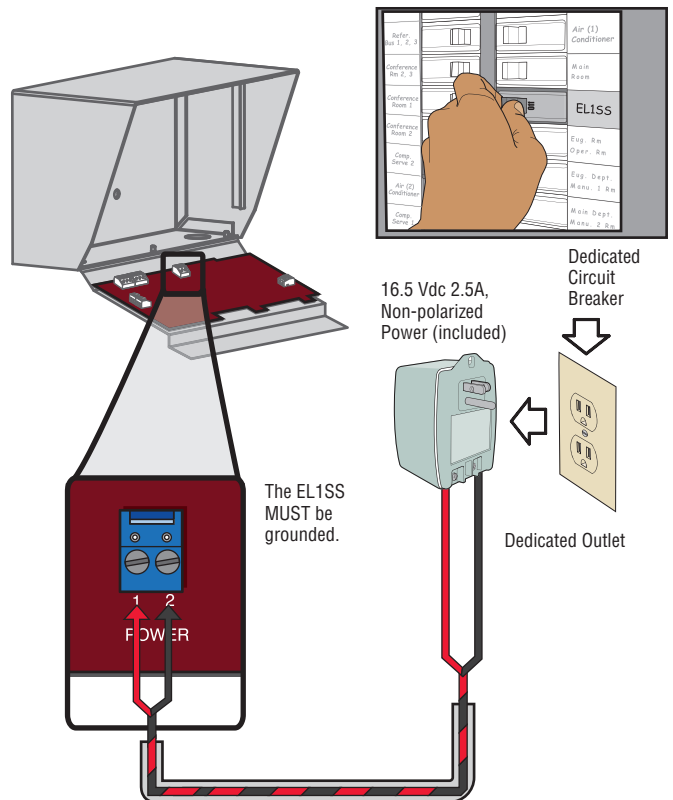
- Other equipment cannot introduce spikes, noise, surges, or dips into the power circuit.
- The system's operation will not be affected if any other equipment develops a short circuit across the power line.

Wire the transformer provided with your system to the power inputs using the correct wire size shown in the table below. Connect the transformer into a 110 Vac outlet after all connections have been made, any other type of outlet will cause damage to the system.

POWER WIRE TABLE

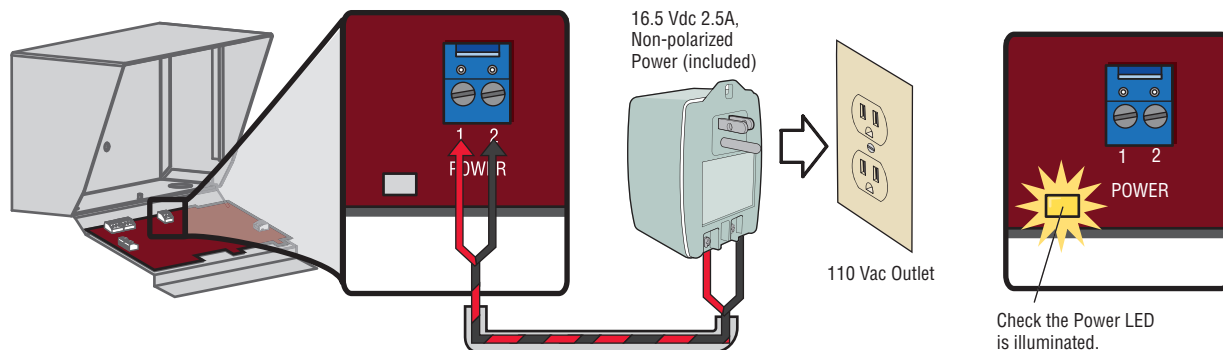
DISTANCE	AC POWER WIRE SIZE
Under 30 feet (9.1 m)	18 AWG
30 - 75 feet (9.1 - 22.9 m)	18 AWG
75 - 150 feet (22.9 - 45.7 m)	18 AWG
150 - 250 feet (45.7 - 76.2 m)	16 AWG
250 - 500 feet (76.2 - 152.4 m)	12 AWG

**NOTE:** LiftMaster is not responsible for conflicts between the information listed in the above table and the requirements of local building codes. The information is for suggested use only. Check local building codes before installation.



## PLUG THE TRANSFORMER INTO THE OUTLET

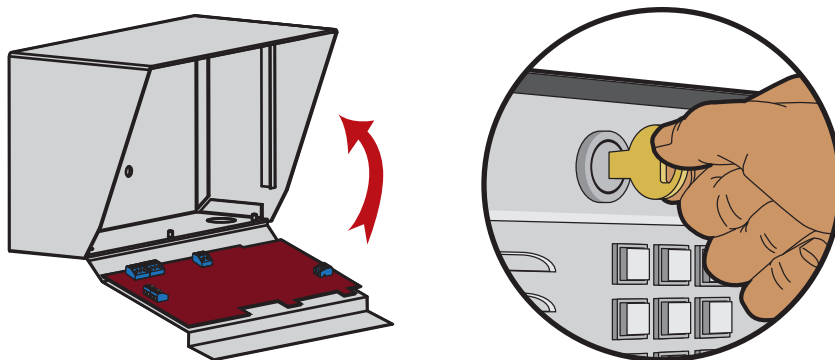
Plug the transformer into the 110 Vac outlet.



**NOTE:** Once power is applied, the EL1SS will constantly beep to indicate that it is powered, and is waiting to be programmed for the unit's Master Code. The Master Code is used to unlock the programming functions of the EL1SS. The Master Code should not be distributed as an Entry Code.

## CLOSE THE UNIT

Use wire ties to organize the wires inside the housing, leave enough length at the ends for bends and service loops. Rotate the front panel up while keeping the wires away from the panel to prevent pinch damage. Lock the front panel.



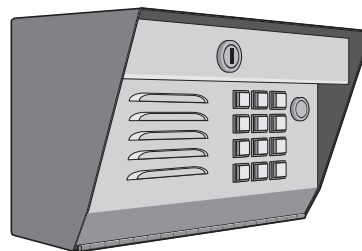
## SET THE UNIT MASTER CODE

The Master Code is needed when creating Entry Codes or making any programming changes to the EL1SS.

Enter # # # on the unit's keypad.

Enter a 4 digit **Master Code**. Example: 1 2 3 4

If Master Code is accepted, the unit will respond with a dual tone beep. If it is not accepted, the unit will respond with three short low tone beeps.



Write down the Master Code and store in a secure location. See page 18.

**NOTE:** The star (\*) button acts as a cancel command that will end any call, programming or access code key sequence.

## TEST GATE/DOOR RELAYS

### TEST RELAY 1

Enter a 4 digit **Master Code + 1**

The **1** Key indicates the Relay to be triggered.

**NOTE:** Relay 1 status indicator LED will illuminate (Blue) to show activity when triggered.

### TEST RELAY 2

Enter a 4 digit **Master Code + 2**

The **2** Key indicates the Relay to be triggered.

**NOTE:** Relay 2 status indicator LED will illuminate (Blue) to show activity when triggered.

## TEST THE TELEPHONE CONNECTIONS

1. Place a telephone call from the resident's telephone to verify it is operating properly, then hang up the phone.

**NOTE:** To ensure proper function of the audio and authorization tones, keep the telephone handset at least 10 feet (3 m) from the EL1SS during testing.

2. Ensure EL1SS is programmed for Telco or Intercom mode based on application.

3. Press the "Call" key on the unit's keypad. The telephone in the residence should ring.

**NOTE:** After the "Call" Button is pressed, the "Status" LED on the processor board will blink during transmission.

4. To test Relay 1 press the "Call" button and have someone answer the telephone and enter "\*9" (Star + 9). The EL1SS will disconnect the call as soon as the relay is activated. To test Relay 2 have someone answer the telephone and enter "\*5" (Star + 5). The EL1SS will disconnect the call as soon as the relay is activated.



## OPERATION

The EL1SS requires a **Master Code** (see page 12) to set up basic functions and settings. Use the STAR Key "\*" to cancel any input. When the unit is being set up, certain tones will be heard (see chart below). Keypad commands should be entered in a single string to be successful (indicated by a dual tone beep). Stop and go keystrokes will result in a negative tone (three short low tone beeps).

Three Short Low Tone Beeps	Failure
Dual Tone Beep	Valid code is entered
Three Short Low Tone Beeps	Error or invalid code is entered

### USING ENTRY CODES

The **Entry Codes** allow residents to activate an entry device connected to a relay (Relay 1 or Relay 2). There are two types of entry codes available in this system. A **Standard 4-Digit Code ONLY** triggers the relay (**1** or **2**) the code has been assign to. A **Special Use 5-Digit Code** (4-Digit Code + **1** or **2**) triggers the corresponding relay that matches the last entered digit. Choosing between the **Standard 4-Digit Code** or the **Special Use 5-Digit Code** entry codes depends on the application, standard 4-digit codes maximize memory capacity for systems controlling two access points for a large number of users. Special use 5-digit codes provide custom secured access for two independent access points (see chart below).

Standard 4-Digit Code	<b>Entry Code</b> (4 digits)	Activates the pre-assigned relay when the code was created
Special Use 5-Digit Code (Relay 1)	<b>Entry Code</b> (4 digits) + <b>1</b>	Activates relay 1
Special Use 5-Digit Code (Relay 2)	<b>Entry Code</b> (4 digits) + <b>2</b>	Activates relay 2

### ANSWERING CALLS FROM EL1SS

When the home phone receives a call from the EL1SS, answer the call to initiate the audio and to speak to visitor. To deny the caller access to the property, hang up. To extend the talk time press **0** or continue talking.

### GRANTING ACCESS

Press \* **9** to grant access through the door or gate connected to Relay 1. The call will end.

**OR** Press \* **5** to grant access through the door or gate connected to Relay 2. The call will end.

## INSTALLER - SYSTEM PROGRAMMING USING THE KEYPAD

The following pages are a reference to the programming options for setting up the EL1SS using the keypad. The programming steps below are used by the installer for initial set up (occasionally used by a resident). The programming options on pages 15-17 can be used by the resident or installer. The unit's **master code** is used at the beginning of all owner/administrator level commands.

### TIMING FOR PROGRAMMING ENTRIES

Programming that starts with the **master code** entry require that the string of digits are entered **without a pause** between master code and programming step (The master code has dual functionality; it also acts as an entry code when it is entered by itself).

PROGRAM NUMBER	DESCRIPTION OF FUNCTION OR SETTING	PROGRAMMING STEPS	
<b>03</b>	<b>ENABLE INTERCOM (NO TELCO) MODE</b> Factory Setting: Disabled Intercom Mode allows for communication between the unit and a resident's phone without a telephone line (the system generates its own signal).	<b>Master Code</b> (4 digits) + <b>03</b>	
<b>04</b>	<b>ENABLE TELCO (NO INTERCOM) MODE</b> Factory Setting: Enabled Telco Mode uses the residence's telephone line for the unit's communications to the resident's phone(s) and/or to dial out to the forwarded telephone number.	<b>Master Code</b> (4 digits) + <b>04</b>	
<b>06</b>	<b>SPEAKER VOLUME</b> Factory Setting: Level 2 Allows the visitor to hear the resident at the unit, <b>1</b> = Low, <b>2</b> = Medium, <b>3</b> = High. For proper adjustment under typical conditions (inside a parked running car). Ask the resident to speak in a normal tone. Adjust up or down as necessary.	<b>Master Code</b> (4 digits) + <b>06</b> + Volume Level ( <b>1</b> = Low, <b>2</b> = Medium, <b>3</b> = High)	
<b>07</b>	<b>MICROPHONE SENSITIVITY</b> Factory Setting: Level 2 Allows the resident to hear the visitor at the unit, <b>1</b> = Low, <b>2</b> = Medium, <b>3</b> = High. For proper adjustment under typical conditions (inside a parked running car using a normal voice tone), ask the resident if the audio is appropriate. Adjust up or down as necessary.	<b>Master Code</b> (4 digits) + <b>07</b> + Volume Level ( <b>1</b> = Low, <b>2</b> = Medium, <b>3</b> = High)	
<b>09</b>	<b>CHANGE THE MASTER CODE</b> <i>Write down the Master Code and store in a secure location.</i>	<b>Master Code</b> (4 digits) + <b>09</b> + # # # + <b>New Master Code</b> (4 digits)	
<b>OUTPUT CONFIGURATION</b>	<b>021</b>	<b>ENABLE PARALLEL RELAY OUTPUT</b> Factory Setting: Disabled	<b>Master Code</b> (4 digits) + <b>021</b>
	<b>023</b>	<b>ENABLE INDEPENDENT RELAY OUTPUT CONTROL</b> Factory Setting: Enabled	<b>Master Code</b> (4 digits) + <b>023</b>
<b>024</b>	<b>ADJUST RELAY OUTPUT TIME (RELAY 1)</b> Factory Setting: 0.5 seconds The amount of time (in seconds) the relay remains active	<b>Master Code</b> (4 digits) + <b>024</b> + Relay Output Time ( <b>0000-8000</b> seconds*) <b>NOTE: Relay output time is ALWAYS 4 digits.</b>	
<b>025</b>	<b>ADJUST RELAY OUTPUT TIME (RELAY 2)</b> Factory Setting: 0.5 seconds The amount of time (in seconds) the relay remains active	<b>Master Code</b> (4 digits) + <b>025</b> + Relay Output Time ( <b>0000-8000</b> seconds*) <b>NOTE: Relay output time is ALWAYS 4 digits.</b>	

\*Example: **0000** = 0.5 Seconds (minimum) **0010** = 10 Seconds **8000** = 8000 Seconds (2 hours 13 minutes, maximum)

## ADDITIONAL SYSTEM PROGRAMMING USING THE KEYPAD

PROGRAM NUMBER	DESCRIPTION OF FUNCTION OR SETTING	PROGRAMMING STEPS
7	DELETE ENTRY CODE	<b>Master Code</b> (4 digits) + <b>7</b> + <b>Entry Code</b> that is to be deleted (4 digits)
9	<b>CREATE A 4-DIGIT ENTRY CODE</b> <b>NOTES:</b> <ul style="list-style-type: none"> <li>• An Entry Code cannot be the same as the Master Code.</li> <li>• A 4-digit entry code controls 1 relay immediately upon entry.</li> </ul>	<b>Master Code</b> (4 digits) + <b>9</b> + <b>New Entry Code</b> (4 digits) + <b>1 or 2</b> (Relay that will be pre-assigned to this entry code). <i>Wait to hear confirmation from the system.</i>
	<b>CREATE A 5-DIGIT ENTRY CODE</b> <b>NOTES:</b> <ul style="list-style-type: none"> <li>• An Entry Code cannot be the same as the Master Code.</li> <li>• A 5-digit entry code controls either door selectable at the time of entry  <i>Last digit = 1 opens door 1</i>  <i>Last digit = 2 opens door 2</i></li> </ul>	<b>Master Code</b> (4 digits) + <b>9</b> + <b>New Entry Code</b> (4 digits) <i>Resident enters <b>Entry Code</b> + <b>1 or 2</b> (Relay associated with the entry device resident wishes to activate)</i> <b>NOTE:</b> <i>If no button is pressed for Relay, both relays will activate simultaneously, unless independent relay output control is enabled.</i>
51	<b>CREATE TEMPORARY (1 TIME) ENTRY CODE</b> The EL1SS holds 1 temporary Entry Code. <b>NOTE:</b> <i>An Entry Code cannot be the same as the Master Code.</i>	<b>Master Code</b> (4 digits) + <b>51</b> + <b>New Temporary (1 Time) Entry Code</b> (4 digits) + <b>1 or 2</b> (Relay associated with the entry device resident wishes to activate) <b>or</b> no button is pressed <b>NOTE:</b> <i>If no button is pressed for Relay, both relays will activate simultaneously, unless independent relay output control is enabled. Expires in 24 hours or after first use.</i>
52	<b>ENABLE VACATION (LOCK DOWN) MODE</b> Factory Setting: Disabled Locks the system from all Entry Code activity.	<b>Master Code</b> (4 digits) + <b>52</b>
53	<b>DISABLE VACATION (LOCK DOWN) MODE</b>	<b>Master Code</b> (4 digits) + <b>53</b>
54	<b>ENGAGE PARTY MODE (RELAY 1)</b> Factory Setting: Disabled Party Mode will latch relay 1.	<b>Master Code</b> (4 digits) + <b>54</b> To disengage party mode: Enter a valid <b>Entry Code</b> into the EL1SS keypad or enter “*9” into the local telephone.
56	<b>ENGAGE PARTY MODE (RELAY 2)</b> Factory Setting: Disabled Party Mode will latch relay 2. <b>NOTE:</b> <i>Output configuration must be in Independent Relay Control (default) to engage Party Mode on relay 2.</i>	<b>Master Code</b> (4 digits) + <b>56</b> To disengage party mode: Enter a valid <b>Entry Code</b> into the EL1SS keypad or enter “*5” into the local telephone.



## RESIDENT - SYSTEM PROGRAMMING USING THE HOUSE PHONE

A house phone is a telephone with an actual wiring connection to the EL1SS system. See call forwarding instructions on page 17.

PROGRAM NUMBER	DESCRIPTION OF FUNCTION OR SETTING	PROGRAMMING STEPS
<b>**01</b>	<b>ENABLE CALL FORWARDING</b> Factory Setting: Disabled <i>NOTE: This setting requires the system to be connected to the residence's phone line and Telco Mode to be enabled (see page 14).</i>	<b>**01</b>
<b>**02</b>	<b>DISABLE CALL FORWARDING</b>	<b>**02</b>
<b>**03</b>	<b>ENABLE INTERCOM MODE</b> Factory Setting: Disabled	<b>**03</b>
<b>**06</b>	<b>VERIFY CALL FORWARDING NUMBER (VIA CALLER ID)</b> Factory Setting: Disabled	<b>**06</b> Hang up the phone - Wait for the ring.
<b>**07</b>	<b>ENABLE TELCO MODE</b> Factory Setting: Enabled	<b>**07</b>
<b>**#8</b>	<b>ERASE CALL FORWARDING NUMBER</b> <i>NOTE: This command will also disable the call forwarding mode.</i>	<b>**#8</b>
<b>**10</b>	<b>ADJUST "PICK UP" RING COUNT</b> Factory Setting: 5	<b>**10 + Ring Count 2 through 5</b>
<b>**13</b>	<b>ENABLE ALTERNATE DTMF (DUAL TONE MULTI FREQUENCY) PROGRAMMING</b> This feature changes the leading programming digits from ** to ## (and *# to #*) to work around phone lines (or telephone equipment) that reacts to the * tone. Factory Setting: Disabled <i>NOTE: The telephone line should be disconnected while entering this command.</i>	<b>**13</b>
<b>**14</b>	<b>ENABLE STANDARD (LONG) RING TONE</b> Factory Setting: Enabled	<b>**14</b>
<b>**15</b>	<b>ENABLE ALTERNATE (DUAL) RING TONE</b> Factory Setting: Enabled <i>NOTE: Alternate ring tone function may not work with all phones</i>	<b>**15</b>
<b>#*16</b>	<b>DISABLE ALTERNATE DTMF PROGRAMMING</b>	<b>#*16</b>
<b>*# Call Forwarding Number #</b>	<b>ENTER CALL FORWARDING TELEPHONE NUMBER</b>	<b>*# + Telephone Number (Up to 14 digits) + #</b>

**RESIDENT - DIRECT COMMANDS USING THE HOUSE TELEPHONE**

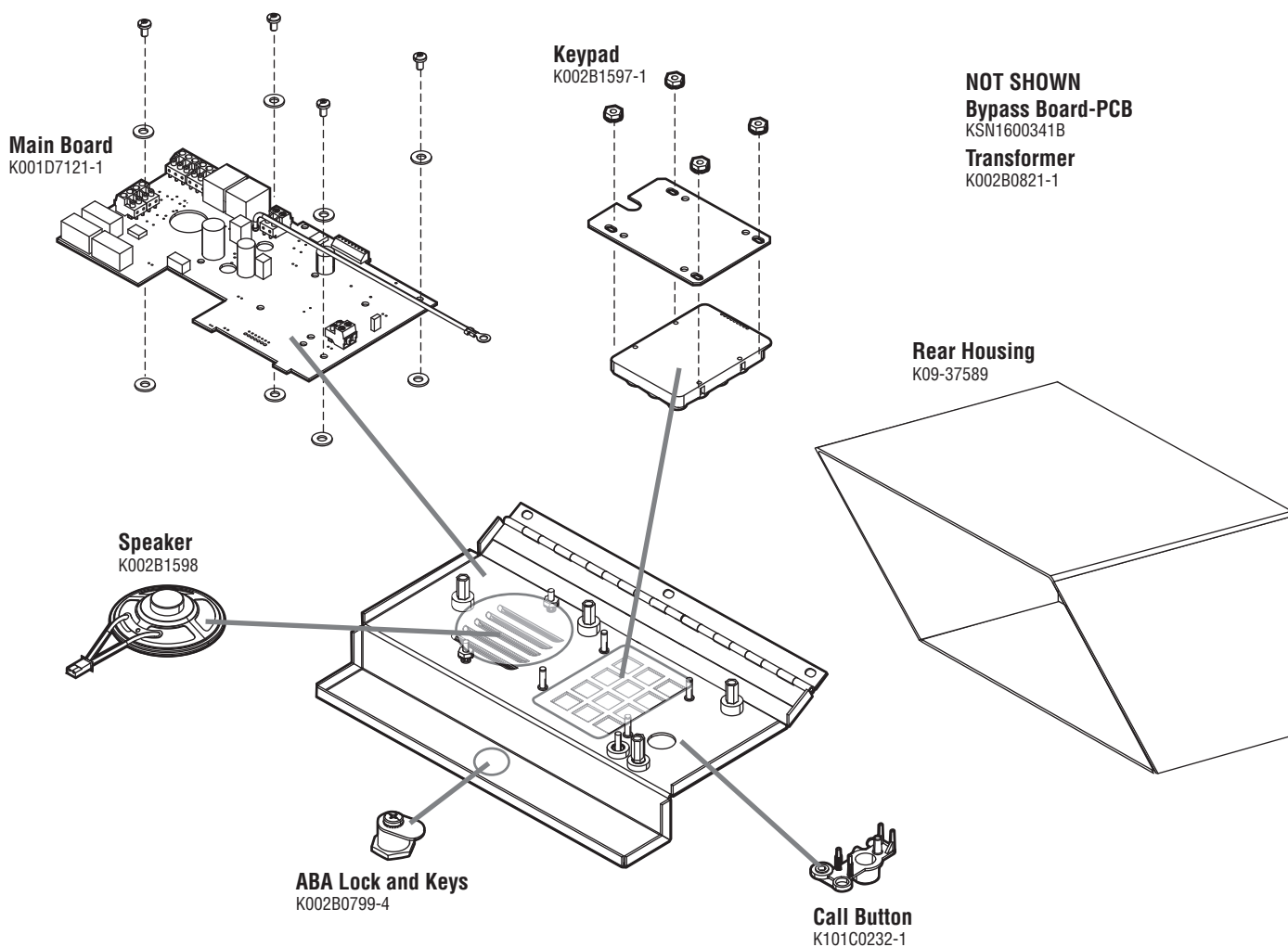
PROGRAM NUMBER	DESCRIPTION OF FUNCTION OR SETTING	PROGRAMMING STEPS
<b>**04</b>	<b>ENABLE PARTY (LATCHED) MODE - RELAY 1</b> Party Mode will latch the relay and keep the entry device open to allow guests access to property. To disengage party mode: Enter “*9” into the local telephone.	<b>**04</b>
<b>**05</b>	<b>DISABLE PARTY (LATCHED) MODE - RELAY 2</b> To disengage party mode: Enter “*5” into the local telephone.	<b>**05</b>
<b>*5</b>	<b>ACTIVATES RELAY 2</b>	<b>*5</b>
<b>*9</b>	<b>ACTIVATES RELAY 1</b>	<b>*9</b>
<b>**11</b>	<b>ENABLE “DO NOT DISTURB” MODE</b> This mode disables calls from the system to the house or forwarded telephone. Factory Setting: Disabled	<b>**11</b>
<b>**12</b>	<b>DISABLE “DO NOT DISTURB” MODE</b>	<b>**12</b>

**RESIDENT - DIRECT COMMANDS USING A FORWARDED TELEPHONE**

PROGRAM NUMBER	DESCRIPTION OF FUNCTION OR SETTING	PROGRAMMING STEPS
<b>0</b>	By entering <b>0</b> the audio is initiated for the resident to have a phone conversation with the visitor (also extends talk time).	<b>0</b>
<b>*5</b>	<b>ACTIVATES RELAY 2</b>	<b>*5</b>
<b>*9</b>	<b>ACTIVATES RELAY 1</b>	<b>*9</b>
	<b>CALL WAITING (FOR LANDLINES)</b> Press “Flash” once to answer guest, press again to return to outside call on Telco line, if <b>*9</b> or <b>*5</b> is not pressed. If <b>*9</b> (relay 1) or <b>*5</b> (relay 2) is pressed, the EL1SS will automatically return to the Telco line.	

# REPAIR PARTS

PART NUMBER	DESCRIPTION
KSN1600341B	Bypass Board
K002B0821-1	Transformer 16.5 Vdc 2.5 A
K002B1597-1	Keypad
K001D7121-1	Main Board
K002B1598	Speaker
K002B0799-4	Lock and Keys
K101C0232-1	Call Button
K09-37589	Rear Housing



## EL1SS MASTER CODE

Write down the Master Code and store in a secure location.

--	--	--	--

# WARRANTY

LiftMaster (“Seller”) warrants to the first purchaser of this product, for the structure in which this product is originally installed, that it is free from defect in materials and/or workmanship for a period of two years from the date of purchase.

The proper operation of this product is dependent on your compliance with the instructions regarding installation, operation, maintenance and testing. Failure to comply strictly with those instructions will void this limited warranty in its entirety.

If, during the limited warranty period, this product appears to contain a defect covered by this limited warranty, call 1-800-528-2806 before dismantling this product. Then send this product, pre-paid and insured, to our service center for warranty replacement. Products returned to Seller for warranty replacement, which upon receipt by Seller are confirmed to be defective and covered by this limited warranty, will be replaced (at Seller’s sole option) at no cost to you and returned pre-paid. Defective parts will be replaced with new or factory-rebuilt parts at Seller’s sole option.

THIS LIMITED WARRANTY IS IN LIEU OF ANY OTHER WARRANTIES, EXPRESS OR IMPLIED, INCLUDING ANY IMPLIED WARRANTY OF MERCHANTABILITY OR FITNESS FOR A PARTICULAR PURPOSE OR OTHERWISE, AND OF ANY OTHER OBLIGATIONS OR LIABILITY ON SELLER’S PART. THIS LIMITED WARRANTY DOES NOT COVER NON-DEFECT DAMAGE, DAMAGE CAUSED BY IMPROPER INSTALLATION, OPERATION OR CARE (INCLUDING, BUT NOT LIMITED TO ABUSE, MISUSE, FAILURE TO PROVIDE REASONABLE AND NECESSARY MAINTENANCE, UNAUTHORIZED REPAIRS OR ANY ALTERATIONS TO THIS PRODUCT), LABOR CHARGES FOR REINSTALLING A REPAIRED OR REPLACED UNIT, PROBLEMS RELATED TO INTERFERENCE, OR REPLACEMENT OF BATTERIES.

UNDER NO CIRCUMSTANCES SHALL SELLER BE LIABLE FOR CONSEQUENTIAL, INCIDENTAL OR SPECIAL DAMAGES ARISING IN CONNECTION WITH USE, OR INABILITY TO USE, THIS PRODUCT. IN NO EVENT SHALL SELLER’S LIABILITY FOR BREACH OF WARRANTY, BREACH OF CONTRACT, NEGLIGENCE OR STRICT LIABILITY EXCEED THE COST OF THE PRODUCT COVERED HEREBY. NO PERSON IS AUTHORIZED TO ASSUME FOR US ANY OTHER LIABILITY IN CONNECTION WITH THE SALE OF THIS PRODUCT.

Some states do not allow the exclusion or limitation of consequential, incidental or special damages, so the above limitation or exclusion may not apply to you. This limited warranty gives you specific legal rights, and you may also have other rights which vary from state to state.

**FOR TECHNICAL SUPPORT DIAL OUR TOLL FREE NUMBER:  
1-800-528-2806**

**LiftMaster.com**

NOTICE: To comply with FCC and or Industry Canada rules (IC), adjustment or modifications of this receiver and/or transmitter are prohibited, except for changing the code setting or replacing the battery. THERE ARE NO OTHER USER SERVICEABLE PARTS.  
Tested to Comply with FCC Standards FOR HOME OR OFFICE USE. Operation is subject to the following two conditions: (1) this device may not cause harmful interference, and (2) this device must accept any interference received, including interference that may cause undesired operation.

This document is protected by copyright and may not be copied or adapted without the prior written consent of LiftMaster. This documentation contains information proprietary to LiftMaster and such information may not be distributed without the prior written consent of LiftMaster. The software and firmware included in the LiftMaster product as they relate to this documentation are also protected by copyright and contain information proprietary to LiftMaster.



# EL1SS

Systeme d'accès par téléphone

Manuel d'installation et de configuration

Pour des vidéos d'instructions, aller à l'Académie de formation LiftMaster à [LiftMasterTraining.com](http://LiftMasterTraining.com).

**LiftMaster®**

<b>INTRODUCTION</b> . . . . .	<b>2-3</b>	<b>ESSAI</b> . . . . .	<b>13</b>
Câblage requis . . . . .	2	Essai des relais de portes ou barrières . . . . .	13
Dimensions . . . . .	2	Essai des connexions téléphoniques . . . . .	13
Contenu de la boîte d'emballage . . . . .	3	Fonctionnement . . . . .	13
Description de la carte processeur . . . . .	3		
<b>INSTALLATION</b> . . . . .	<b>4-12</b>	<b>CONFIGURATION</b> . . . . .	<b>14-17</b>
Fixation du unité . . . . .	4	Installateur – Programmation du système avec le clavier . . . . .	14
Aperçu du câblage de Telco . . . . .	4	Programmation supplémentaire du système avec le clavier . . . . .	15
Connexion représentative entre Telco et l'appareil. . . . .	5	Résident – Programmation du système avec le téléphone intérieur . . . . .	16
Câblage de l'appareil avec ligne téléphonique de Telco . . . . .	6	Résident – Commandes directes avec le téléphone intérieur . . . . .	17
Câblage de l'appareil sans ligne téléphonique de Telco (exige le mode intercom) . . . . .	6	Résident – Commandes directes avec un téléphone auquel l'appel a été renvoyé . . . . .	17
Actionneur de barrière (normalement ouvert) . . . . .	7		
Câblage d'un capteur d'appel automatique . . . . .	7	<b>PIÈCES DE RÉPARATION</b> . . . . .	<b>18</b>
Câblage d'un actionneur de barrière (normalement ouvert) et d'une gâche de barrière (normalement ouverte) . . . . .	8	<b>CODE MAÎTRE DU EL1SS</b> . . . . .	<b>18</b>
Câblage d'un actionneur de barrière (normalement ouvert) et d'une serrure magnétique (normalement fermée) . . . . .	9	<b>GARANTIE</b> . . . . .	<b>19</b>
Câblage d'une gâche (normalement ouverte) . . . . .	10		
Câblage d'une serrure magnétique (normalement fermée) . . . . .	10		
Tige de mise à la terre . . . . .	11		
Câblage de l'alimentation . . . . .	11		
Branchement du transformateur dans la prise . . . . .	12		
Fermer la l'appareil . . . . .	12		
Configuration du code maître . . . . .	12		



**AVERTISSEMENT** : Ce produit peut vous exposer à des produits chimiques comme le plomb, reconnu par l'Etat de la Californie comme cause de cancers, d'anomalies congénitales et d'autres problèmes liés à la reproduction. Pour plus d'informations, visitez [www.P65Warnings.ca.gov](http://www.P65Warnings.ca.gov)

## SOMMAIRE DES CARACTÉRISTIQUES TECHNIQUES

Caractéristiques du système	
Codes d'entrée	200 codes d'entrée (à 4 chiffres) uniques programmables
Communication vocale	Interphone/téléphone traditionnel filaire/DSL
Circuit audio	Communication vocale bidirectionnelle simultanée
Logiciel	Aucun nécessaire
Appel automatique	Active immédiatement l'avis lorsqu'un invité arrive à la barrière (exige un capteur de présence en option)
Mode Interphone	Oui
Sonnerie unique	Oui
Appel en attente	Oui
Renvoi d'appel	Oui (mode Telco uniquement)
Mode « Ne pas déranger »	Oui
Mode Festif	Oui (garde la porte d'entrée déverrouillée)
Mode Vacances	Oui
Code d'entrée temporaire (1 seule fois)	Oui
Entrée/sortie de base	
Barrières/portes contrôlées	2
Tableau	
Plaque avant	Acier inoxydable brossé avec clavier en métal rétroéclairé en vert et bouton d'appel illuminé
Boîtier arrière	Acier inoxydable thermolaqué noir
Options de montage	Surface/col de cygne
Alimentation électrique	Transformateur de 120 Vac à 16 Vcc (inclus)
Tableau de dérivation	Inclus; permet à l'unité d'être déconnectée sans interrompre le fonctionnement normal du téléphone
Plage de températures	-20 °C (-4 °F) à 65 °C (149 °F)
Hauteur	15,88 cm (6,25 po)
Largeur	25,40 cm (10 po)
Profondeur	13,34 cm (5,25 po)
Réglementaire	Conforme aux sections 15 et 68 du règlement de la FCC et aux normes IC d'Industrie Canada
Intempérisation	NEMA 3R
Garantie	2 ans

## CÂBLAGE REQUIS

Les installations à l'extérieur exigent un câblage blindé. Un câblage non blindé peut être utilisé SEULEMENT à l'intérieur.

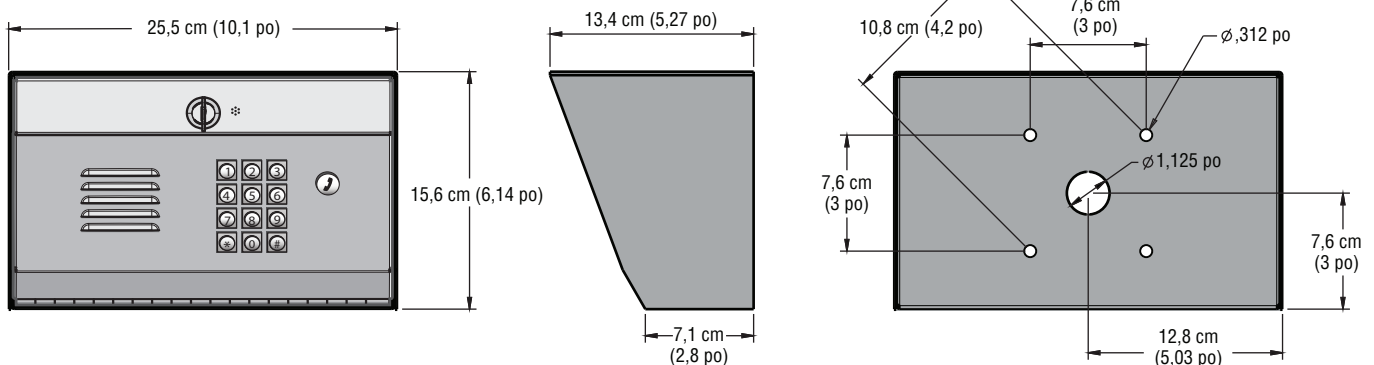
CARTE PROCESSEUR	TYPE DE CÂBLAGE	RECOMMANDATIONS
Du transformateur d'alimentation à la prise de courant de 120 Vca	Câble à deux conducteurs	Blindé seulement - consulter <b>le tableau du câblage d'alimentation ci-dessous</b>
D'une gâche, d'une serrure magnétique ou d'un actionneur de barrière	Câble à deux conducteurs	Consulter les spécifications de l'appareil pour le calibre du câblage
De l'alimentation de la gâche (le cas échéant)	Câble à deux conducteurs	Consulter les spécifications de l'appareil pour le calibre du câblage
De la mise à la terre à la carte processeur	Fil de cuivre 12 AWG avec isolation en PVC ou Fil de cuivre 12 AWG sans isolation	Belden N° 9912  Belden N° 8011
Lignes téléphoniques résidentielles et lignes téléphoniques de Telco	Fil de téléphone à paire torsadée 24 AWG	Blindé - Belden N° 9502
De la carte processeur	Fil de téléphone à paire torsadée 24 AWG	Blindé - Belden N° 9502
Entre les cartes processeurs dans le cas d'une installation à plusieurs entrées	Fil de téléphone à paire torsadée 24 AWG	Blindé - Belden N° 9502

TABLEAU DU CÂBLAGE D'ALIMENTATION

DISTANCE	CALIBRE DU CÂBLE D'ALIMENTATION CA
Moins de 9,1 m (30 pieds)	18 AWG
9,1 à 22,9 m (30 à 75 pieds)	18 AWG
22,9 à 45,7 m (75 à 150 pieds)	18 AWG
45,7 à 76,2 m (150 à 250 pieds)	16 AWG
76,2 à 152,4 m (250 à 500 pieds)	12 AWG

**REMARQUE :** LiftMaster ne peut être tenue responsable des divergences entre les données du tableau ci-dessus et les exigences des codes de construction en vigueur localement. Les données sont fournies à titre indicatif uniquement. Consulter les codes de construction en vigueur localement avant l'installation.

## DIMENSIONS

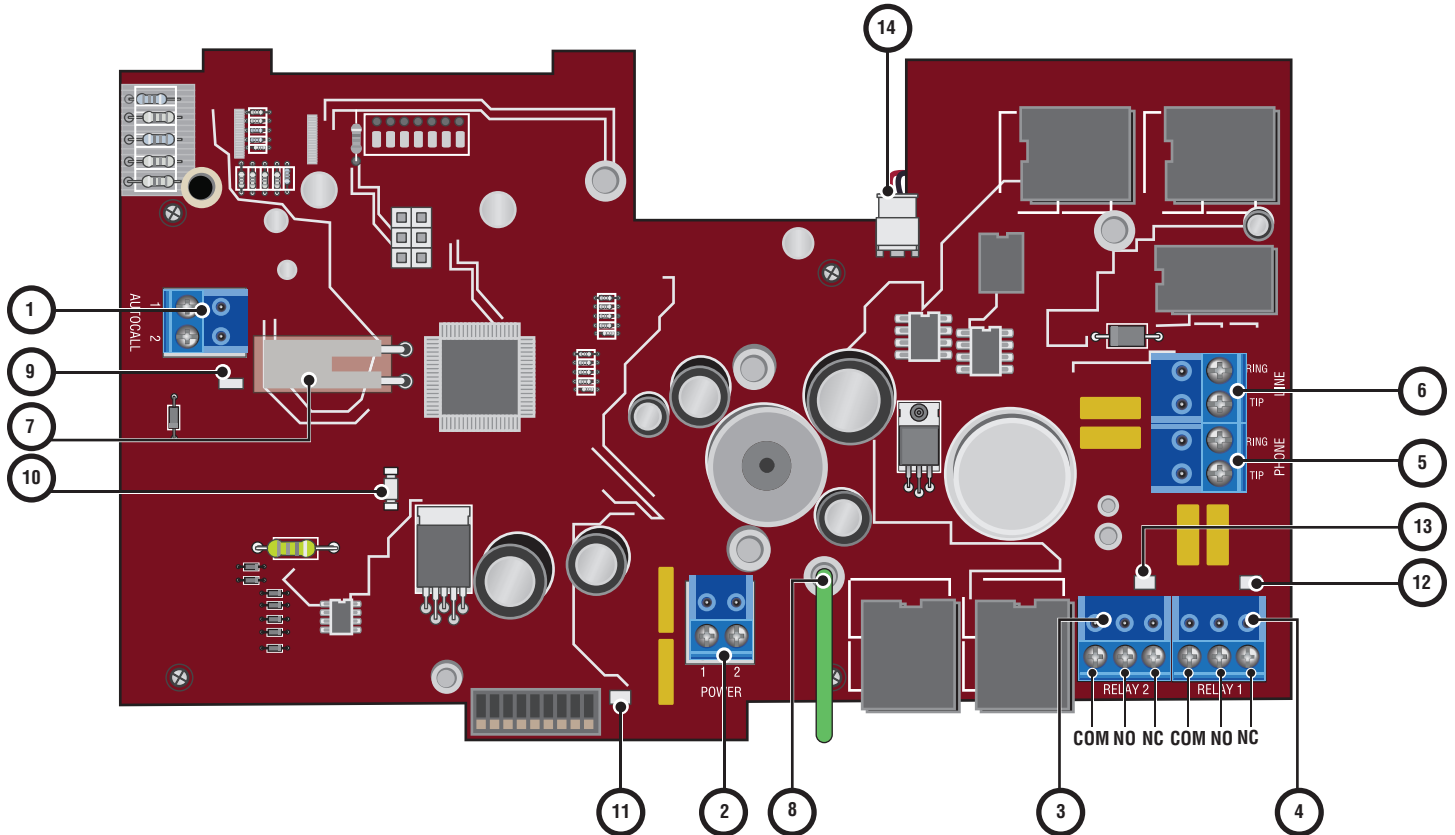


**Bloc d'alimentation : 16 Vcc 2,5A**

## CONTENU DE LA BOÎTE D'EMBALLAGE

Appareil (1)  
 Jeu de clés (1)  
 Transformateur d'alimentation enfichable de 16,5 Vcc 2,5A homologué UL (1)  
 Carte bypass (1)  
 Manuel (1)

## DESCRIPTION DE LA CARTE PROCESSEUR



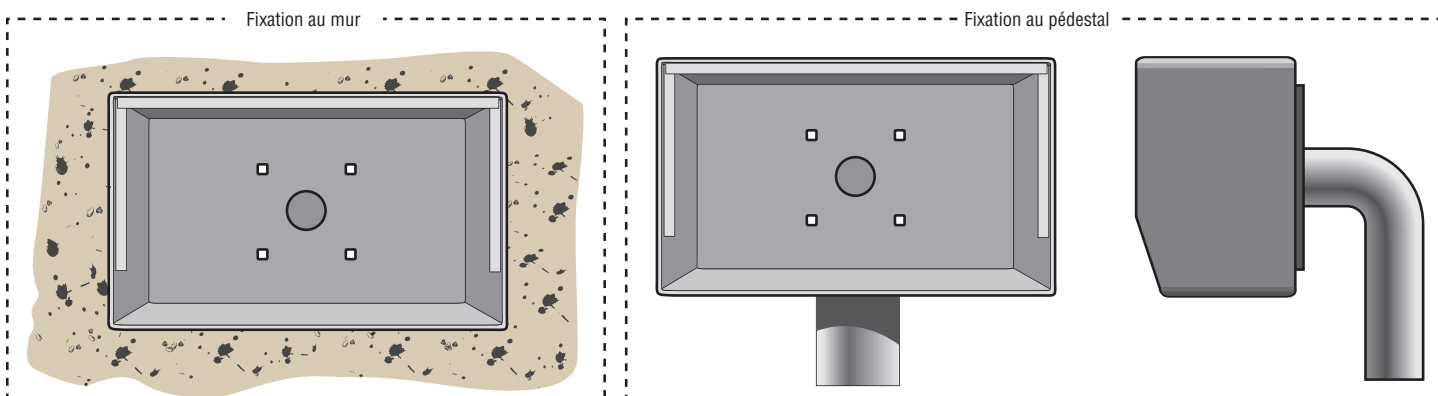
- ① **Entrée d'appel automatique** : Connecteur pour un dispositif complémentaire activant la composition de l'habitation.
- ② **Connecteur d'alimentation** : Entrée d'alimentation c.a. 16,5 Vcc, non polarisée.
- ③ **Sortie du relai 2** : Du relai de contrôle « C » secondaire.
- ④ **Sortie du relai 1** : Du relai de contrôle « C » principal.
- ⑤ **Sortie téléphonique** : Retour de connexion téléphonique aux téléphones de la maison ou du bureau.
- ⑥ **Entrée téléphonique** : Connexion de la ligne téléphonique de la compagnie de téléphone Telco.
- ⑦ **Interrupteur de sécurité** : Une fois déclenchée, l'alarme ne peut être désactivée qu'en coupant l'alimentation.
- ⑧ **Câble de mise à la terre** : Doit être connecté à un pôle positif relié à la masse. Consulter la section Tige de mise à la terre.
- ⑨ **Bouton d'appel illuminé à DEL**
- ⑩ **DEL témoin de transmission des données vocales**
- ⑪ **DEL témoin de l'alimentation**
- ⑫ **DEL témoin de sortie du relai 1 (principal)**
- ⑬ **DEL témoin de sortie du relai 2 (secondaire)**
- ⑭ **Fil de haut-parleur**



## FIXATION DU UNITE

1. Choisissez l'emplacement de montage de l'appareil.
2. Plaque avant et ouvrez.
3. Marquer les trous et percez des trous.
4. Monter sur une surface solide ou par la poste (matériel non fourni).
5. Assurer un bon écoulement de l'eau à l'écart de l'enceinte lors de l'installation.

**Accessoires :** Méthode facultative pour monter. Modèles PED42 ou PED64 LiftMaster col de cygne piédestal après



## APERÇU DU CÂBLAGE DE TELCO

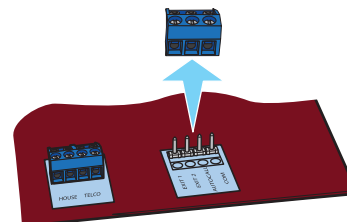
Plusieurs compagnies de téléphone ont mis à jour leurs codes de couleurs en raison de l'utilisation des câbles de catégorie 5 dans la plupart des installations téléphoniques et dans le but de s'aligner avec les codes des installations résidentielles et commerciales. Avec cette nouvelle norme, il n'y a plus de fils vert, rouge, noir ou jaune; ceux-ci ont été remplacés par des fils blanc/bleu, bleu/blanc, blanc/orange et orange/blanc. Si un fil est majoritairement orange avec des bandes blanches, cette couleur est orange/blanc. Consulter le tableau ci-dessous. Les étiquettes des DIR (dispositif d'interface réseau) indiqueront probablement les anciennes couleurs et la plupart des composants de câblage téléphonique que vous pouvez acheter auront encore les anciennes couleurs.

Fonction	Ancienne couleur	Nouvelle couleur
Pointe 1	Vert	Blanc/bleu
Sonnerie 1	Rouge	Bleu/blanc
Pointe 2	Noir	Blanc/orange
Sonnerie 2	Jaune	Orange/blanc

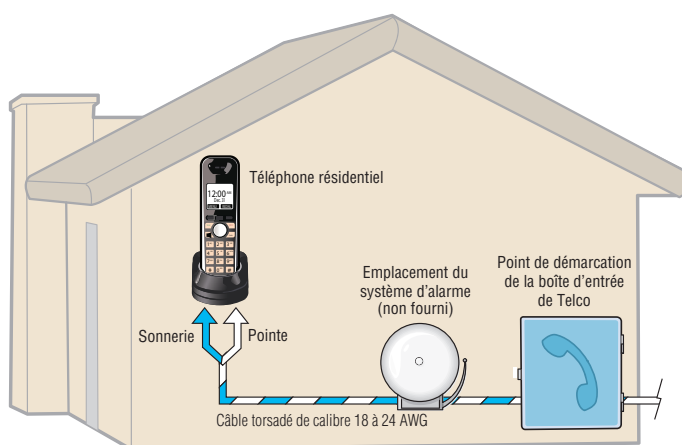
### REMARQUES :

- Se servir d'un câble torsadé de calibre 18 à 22 AWG (Belden no 9501 ou un équivalent) pour toutes les connexions téléphoniques.
- Éviter d'épisser les fils dans la mesure du possible ou utiliser des connecteurs téléphoniques d'épissure remplis de gel pour prévenir les problèmes de connectivité.
- La tension mesurée entre la pointe et la sonnerie doit se situer entre 48 et 53 Vcc.
- Ne jamais placer des câbles de données et des câbles à haute tension dans la même conduite. Les câbles à haute tension pourraient créer des interférences avec les câbles de données et entraîner un mauvais fonctionnement du système.
- L'inversion des polarités n'endommagera pas le système, mais certains appareils téléphoniques ne fonctionneront pas correctement.
- Le système EL1SS a été prévu pour être utilisé avec un seul système de contrôle d'accès (la ligne de téléphone ne peut pas être partagée entre plusieurs EL1SS).

- Les connecteurs de fils peuvent être enlevés pour simplifier le câblage.
- NE PAS surcharger les connecteurs de fils. Placer SEULEMENT un fil par trou.



### Connexion représentative de Telco





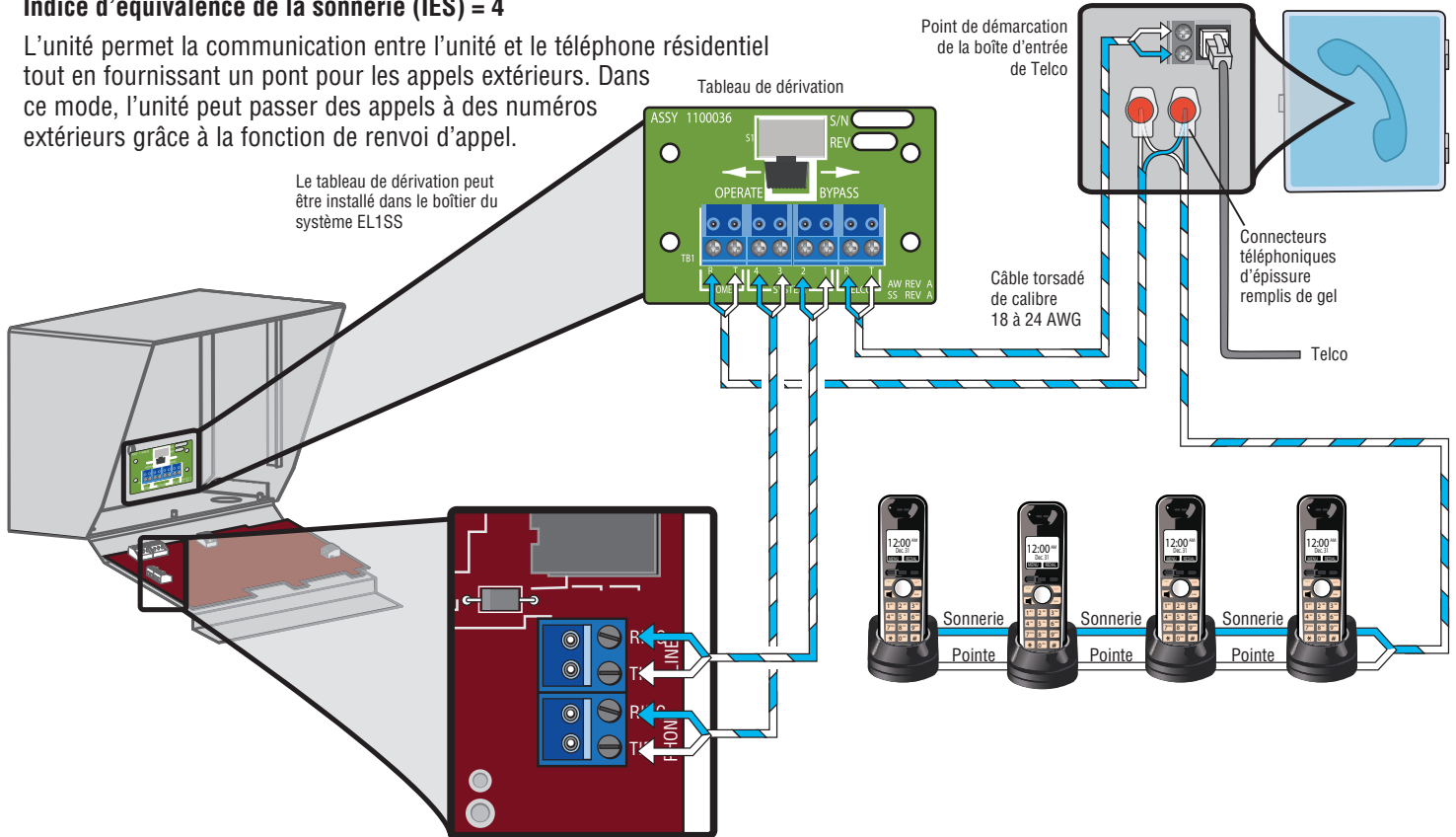
*Ne jamais placer des câbles de données et des câbles à haute tension dans la même conduite. Les câbles à haute tension pourraient créer des interférences avec les câbles de données et entraîner un mauvais fonctionnement du système.*

## CÂBLAGE DE L'APPAREIL AVEC UNE LIGNE TÉLÉPHONIQUE DE TELCO

### Indice d'équivalence de la sonnerie (IES) = 4

L'unité permet la communication entre l'unité et le téléphone résidentiel tout en fournissant un pont pour les appels extérieurs. Dans ce mode, l'unité peut passer des appels à des numéros extérieurs grâce à la fonction de renvoi d'appel.

Le tableau de dérivation peut être installé dans le boîtier du système EL1SS

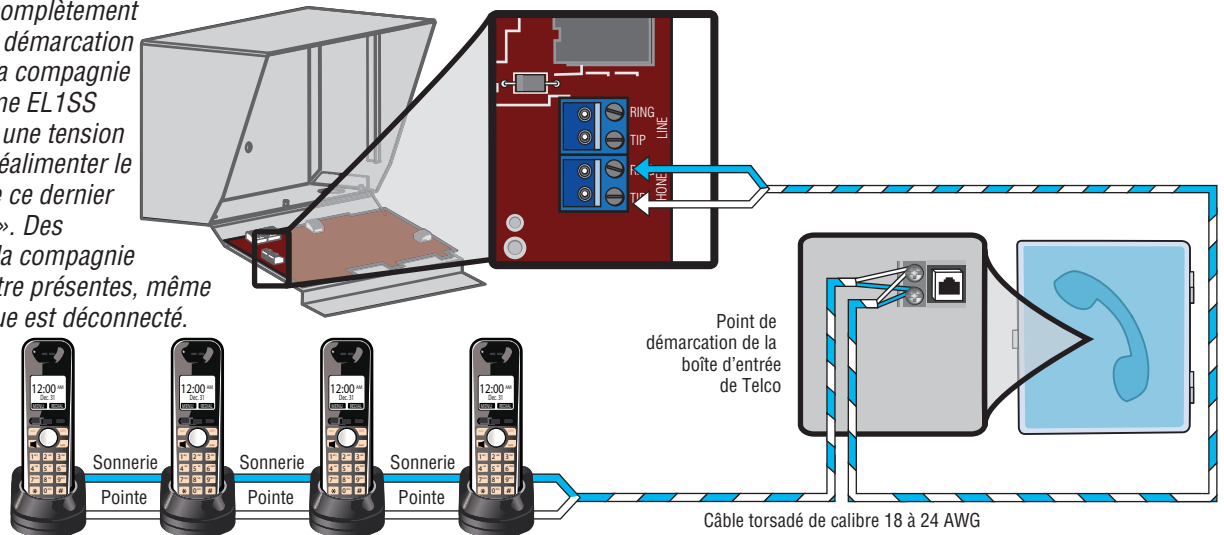


## CÂBLAGE DE L'APPAREIL SANS LIGNE TÉLÉPHONIQUE DE TELCO (EXIGE LE MODE INTERCOM)

L'appareil peut fonctionner de manière autonome et permettre les communications avec les autres appareils téléphoniques résidentiels.

**REMARQUE :** Exige le mode Intercom.

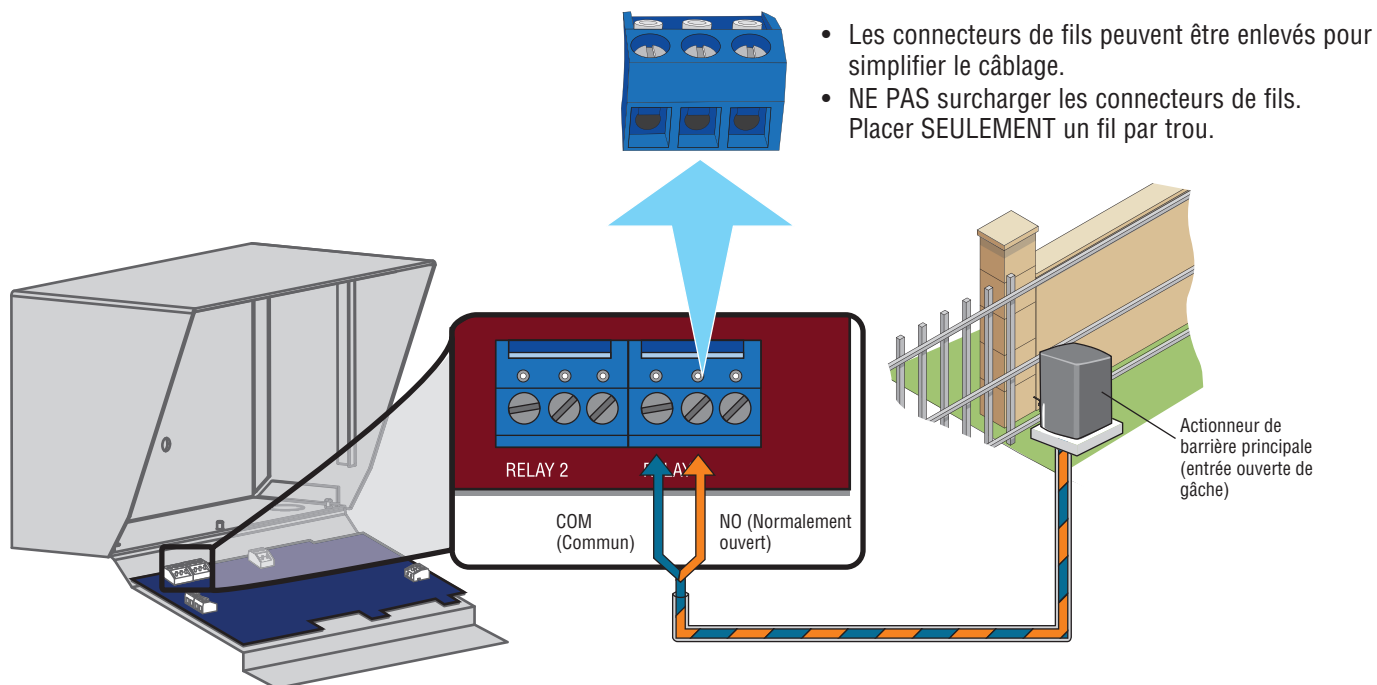
Se reporter à la page 14. Le service téléphonique doit être complètement déconnecté au point de démarcation d'entrée du service de la compagnie de téléphone. Le système EL1SS peut mal fonctionner si une tension quelconque a réussi à réalimenter le système EL1SS lorsque ce dernier est « mode interphone ». Des tensions du service de la compagnie de téléphone peuvent être présentes, même si le service téléphonique est déconnecté.



Indice d'équivalence de la sonnerie (IES) = 4

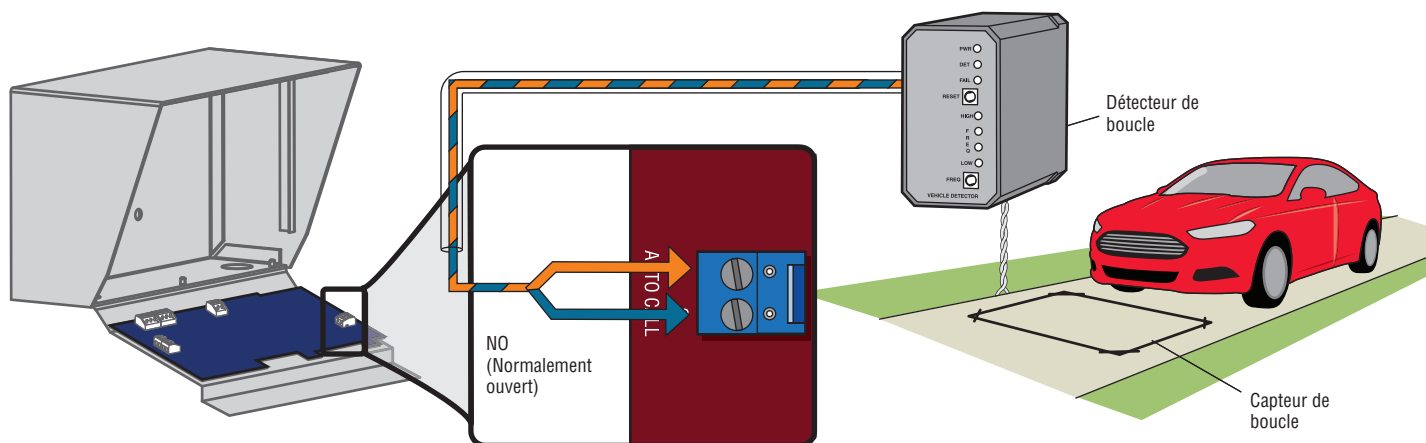
## ACTIONNEUR DE BARRIÈRE (NORMALEMENT OUVERT)

L'actionneur de barrière peut être raccordé au relai 1 ou au relai 2. Consulter la section *Configuration* pour les détails sur la configuration des relai 1 et 2.



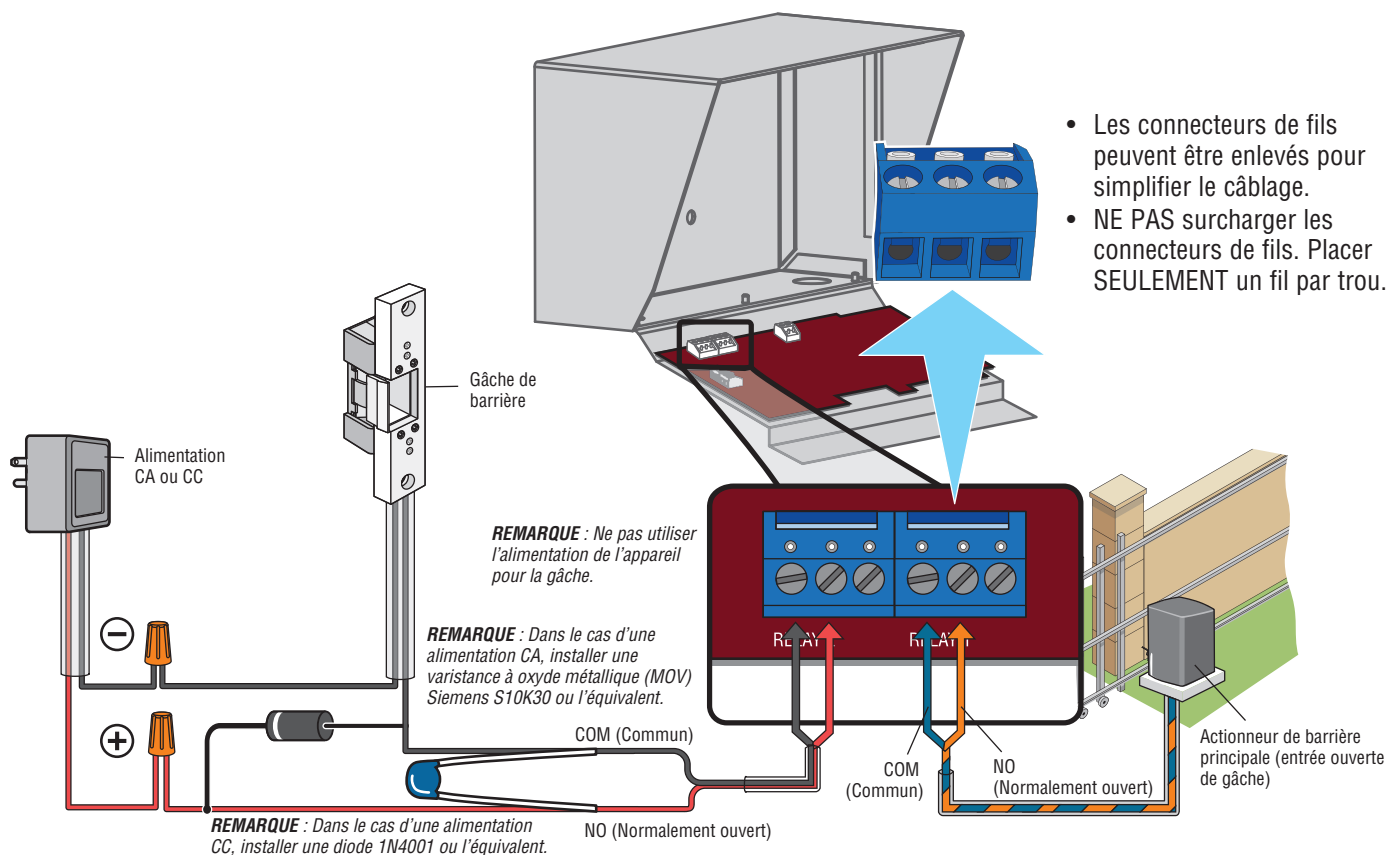
## CÂBLAGE D'UN CAPTEUR D'APPEL AUTOMATIQUE

La fonction d'appel automatique permettra à l'appareil de communiquer avec les résidents lorsqu'un capteur d'entrée (ou un dispositif qui ferme un contact) est activé.



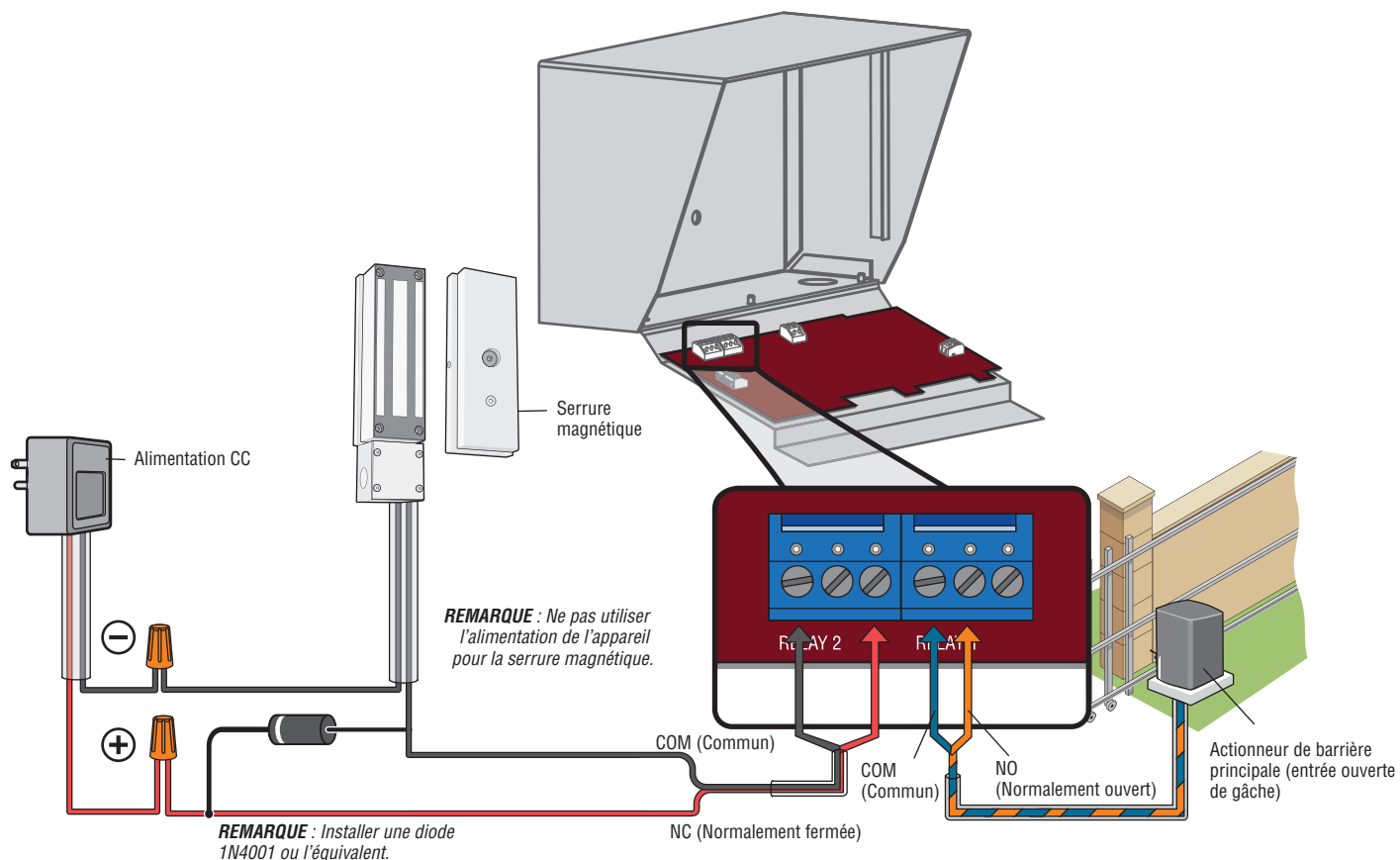
## CÂBLAGE D'UN ACTIONNEUR DE BARRIÈRE (NORMALEMENT OUVERT) ET D'UNE GÂCHE DE BARRIÈRE (NORMALEMENT OUVERTE)

La gâche peut être raccordée au relai 1 ou au relai 2. Consulter la section *Configuration* pour les détails sur la configuration des relais 1 et 2.



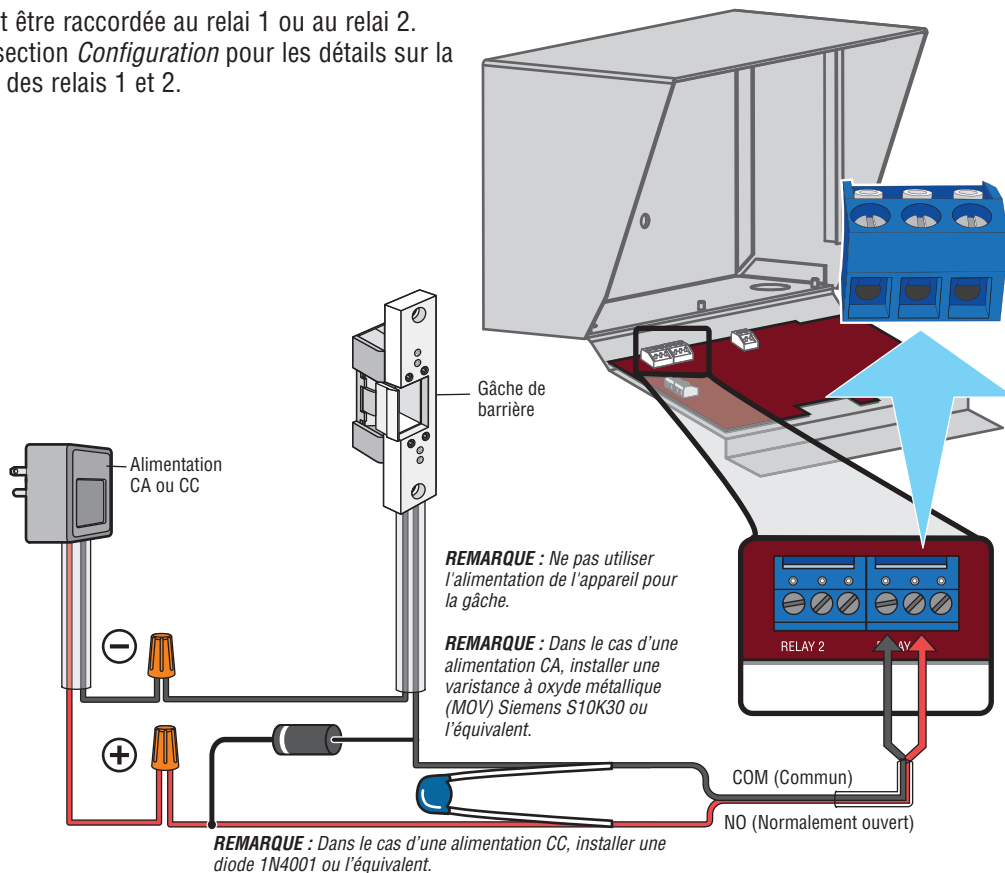
## CÂBLAGE D'UN ACTIONNEUR DE BARRIÈRE (NORMALEMENT OUVERT) ET D'UNE SERRURE MAGNÉTIQUE (NORMALEMENT FERMÉE)

La serrure magnétique peut être raccordée au relai 1 ou au relai 2. Consulter la section *Configuration* pour les détails sur la configuration des relais 1 et 2.



## CÂBLAGE D'UNE GÂCHE (NORMALEMENT OUVERTE)

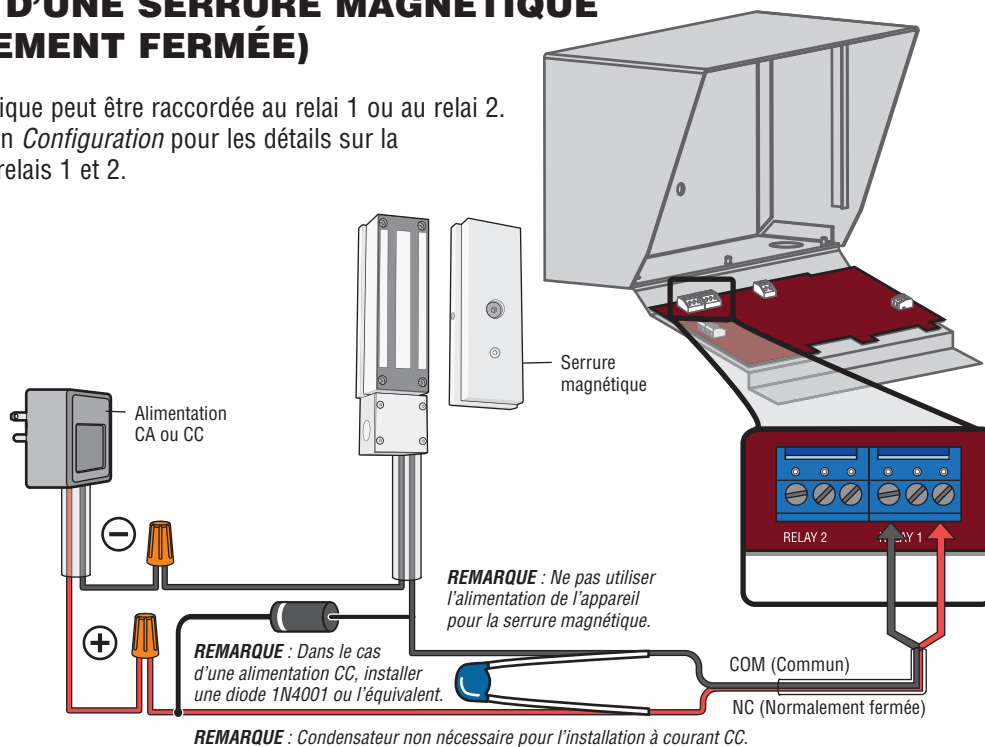
La gâche peut être raccordée au relai 1 ou au relai 2.  
Consulter la section *Configuration* pour les détails sur la configuration des relais 1 et 2.



- Les connecteurs de fils peuvent être enlevés pour simplifier le câblage.
- NE PAS surcharger les connecteurs de fils. Placer SEULEMENT un fil par trou.

## CÂBLAGE D'UNE SERRURE MAGNÉTIQUE (NORMALEMENT FERMÉE)

La serrure magnétique peut être raccordée au relai 1 ou au relai 2.  
Consulter la section *Configuration* pour les détails sur la configuration des relais 1 et 2.





## TIGE DE MISE À LA TERRE

### ATTENTION

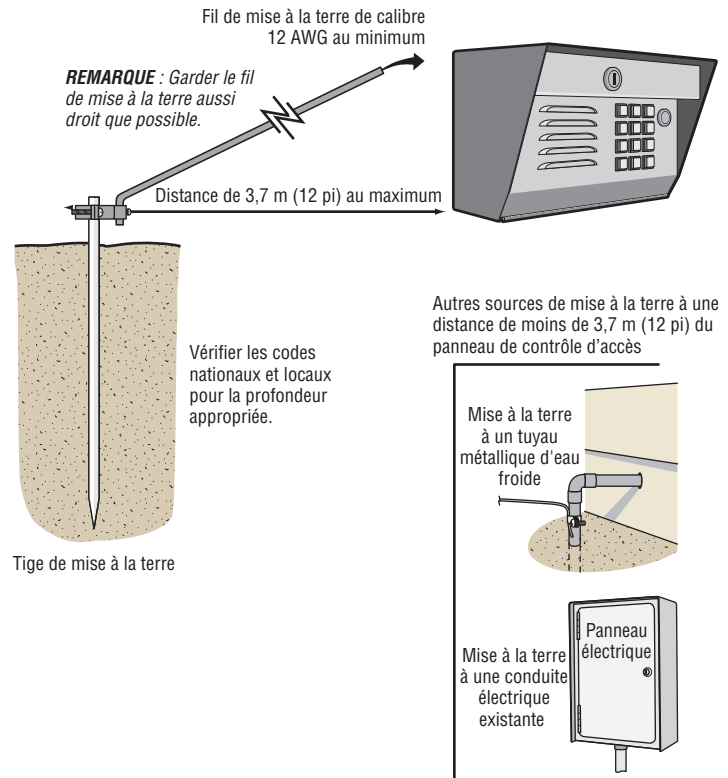
Pour ÉVITER d'endommager le gaz, l'électricité ou autres lignes souterraines de services publics, contacter les entreprises de services publics localiser souterraines AVANT de creuser.

Connecter le fil vert du boîtier de métal et du circuit imprimé à un fil plein de mise à la terre d'un calibre minimal de 12 AWG.

Acheminer le fil plein de mise à la terre de 12 AWG au minimum, de l'unité à une masse convenable.

**REMARQUE :** Les connexions Bouclier sur les cartes ne doivent pas être reliés à la masse métallique.

**IMPORTANT :** Une tige de mise à la terre est fortement recommandé et devrait être pas plus loin que 3,7 m (12 pieds) de l'appareil et utiliser un minimum de calibre 12 dans la plupart des cas. Le type et la longueur des tiges de terre de terre varient selon les régions. Communiquez avec le bureau de l'inspecteur en bâtiment de la municipalité où vous envisagez d'installer l'unité pour les matériaux de la terre correcte et procédures d'installation.



## CÂBLAGE DE L'ALIMENTATION

La prise de 110 Vca doit être réservée exclusivement à l'unité. Cette prise doit être câblée à son propre disjoncteur. Cela préviendra deux problèmes :

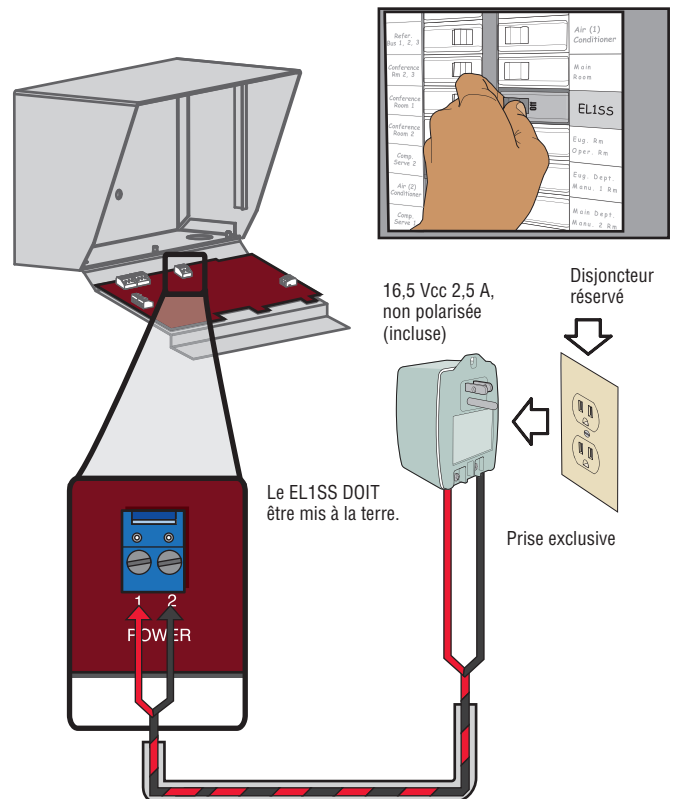
- Les autres appareils ne pourront pas ajouter dans le circuit d'alimentation des pics de tension, du bruit, des surtensions ou des baisses de tension.
- Le fonctionnement du système ne sera pas affecté si un autre appareil crée un court-circuit sur l'alimentation.

Câbler le transformateur fourni avec votre système aux entrées d'alimentation avec un fil du bon calibre, comme indiqué dans le tableau ci-dessous. Brancher le transformateur dans une prise de 110 Vca après avoir effectué tous les branchements; tout autre type de prise endommagera le système.

TABLEAU DU CÂBLAGE D'ALIMENTATION

DISTANCE	CALIBRE DU CÂBLE D'ALIMENTATION CA
Moins de 9,1 m (30 pieds)	18 AWG
9,1 à 22,9 m (30 à 75 pieds)	18 AWG
22,9 à 45,7 m (75 à 150 pieds)	18 AWG
45,7 à 76,2 m (150 à 250 pieds)	16 AWG
76,2 à 152,4 m (250 à 500 pieds)	12 AWG

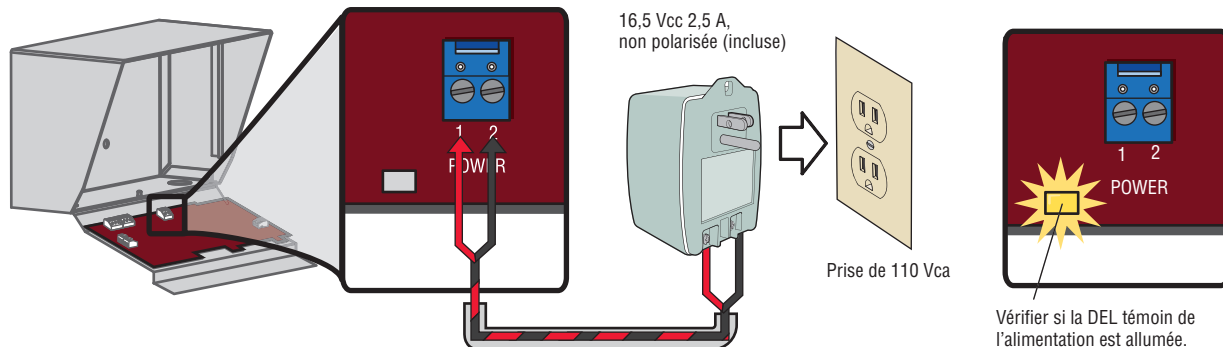
**REMARQUE :** LiftMaster ne peut être tenue responsable des divergences entre les données du tableau ci-dessus et les exigences des codes de construction en vigueur localement. Les données sont fournies à titre indicatif uniquement. Consulter les codes de construction en vigueur localement avant l'installation.





## BRANCHEMENT DU TRANSFORMATEUR DANS LA PRISE

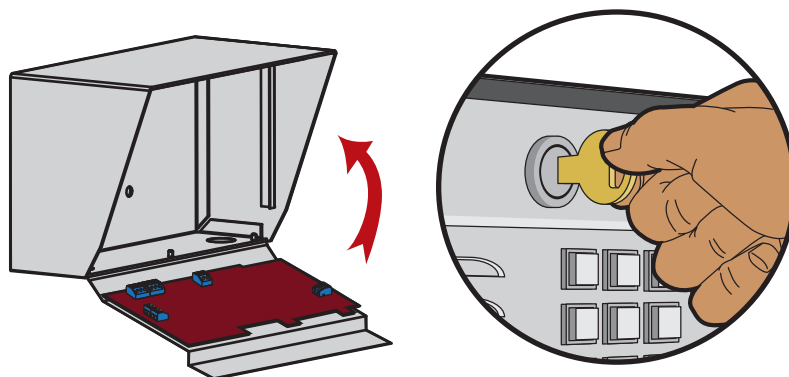
Brancher le transformateur dans la prise de 110 Vca.



**REMARQUE :** Après avoir mis l'alimentation, le système EL1SS émettra constamment des bips pour indiquer qu'il est sous tension et qu'il attend d'être programmé pour le code maître de l'unité. Le code maître sert à déverrouiller les fonctions programmées du EL1SS. Le code maître ne doit pas être distribué comme code d'entrée.

## FERMER LA L'APPAREIL

Se servir des serre-fils pour bien ranger les fils dans le boîtier, en laissant une longueur suffisante aux extrémités pour les coudes et boucles de service. Tourner le panneau avant vers le haut tout en gardant les fils à l'écart du panneau pour prévenir les dommages par pincement. Verrouiller le panneau avant.



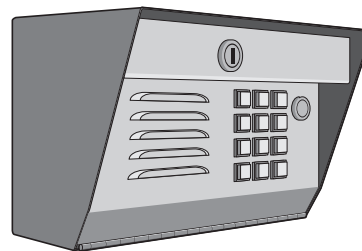
## CONFIGURATION DU CODE MAÎTRE

Le code maître est nécessaire lors de la création des codes d'accès ou des changements de programmation au système EL1SS.

Saisir # # # sur le clavier de l'appareil.

Saisir le **Code Maître** formé de 4 chiffres. Exemple : **1 2 3 4**

Si le Code Maître est accepté, l'unité répondra par un bip à double tonalité. S'il n'est pas accepté, l'unité répondra par trois bips courts à basse tonalité.



Noter le code maître et le conserver dans un endroit sûr. Voir le page 18.

**REMARQUE :** La touche étoile (\*) agit comme une commande d'annulation qui met fin à un appel, à la programmation ou à la saisie de la séquence du code d'accès.

## ESSAI DES RELAIS DE PORTES OU BARRIÈRES

### ESSAI DU RELAI 1

Saisir les 4 chiffres du **code maître + 1**  
La touche « 1 » indique que le relai sera activé.

**REMARQUE :** La DEL témoin du relai 1 s'allumera (bleu) pour indiquer l'activité lorsque le relai est activé.

### ESSAI DU RELAI 2

Saisir les 4 chiffres du **code maître + 2**  
La touche « 2 » indique que le relai sera activé.

**REMARQUE :** La DEL témoin du relai 2 s'allumera (bleu) pour indiquer l'activité lorsque le relai est activé.

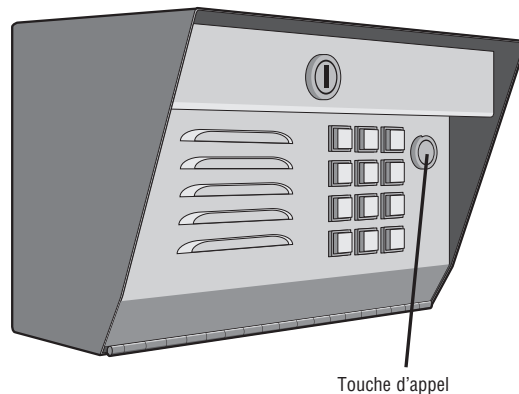
## ESSAI DES CONNEXIONS TÉLÉPHONIQUES

- Effectuer un appel téléphonique depuis un appareil de la résidence pour vérifier s'il fonctionne correctement puis raccrocher.  
**REMARQUE :** Pour assurer le bon fonctionnement des tonalités audio et d'autorisation, gardez le combiné du téléphone au moins 3 m (10 pieds) de la EL1SS pendant les essais.

- S'assurer que le système EL1SS a été programmé en mode de Telco (télécommunication) ou Intercom en fonction de l'application.
- Appuyer sur la touche « Appel » sur le clavier de l'appareil.  
Le téléphone de la résidence devrait sonner.

**REMARQUE :** Une fois la touche « Appel » enfoncée, la DEL « d'état » de la carte processeur clignote pendant la communication.

- Pour tester le relai 1, appuyer sur le bouton d'appel en vous assurant que quelqu'un répond au téléphone, puis faire « \*9 » (étoile + 9). Le EL1SS met fin à l'appel dès que le relai est activé.  
Pour l'essai du relai 2, demander à quelqu'un de prendre l'appel et de saisir « \*5 » (étoile + 5). Le EL1SS met fin à l'appel dès que le relai est activé.



## FONCTIONNEMENT

Le système EL1SS exige un **code maître** (voir la page 12) pour configurer les fonctions et paramètres de base. Utiliser la touche ÉTOILE « \* » pour annuler une saisie. Lors de la configuration de l'unité, certaines tonalités retentiront (voir le tableau ci-dessous). Les commandes au clavier doivent être saisies en une seule chaîne pour réussir la programmation (indiquée par un bip à deux tonalités). Des saisies non uniformes sur les touches du clavier auront pour résultat de produire une tonalité d'échec (trous courts bips à basse tonalité).

Trois courts bips à basse tonalité	Échec
Bip à double tonalité	Un code valide a été saisi
Trois courts bips à basse tonalité	Erreur ou code invalide saisi

### UTILISATION DES CODES D'ACCÈS

Les **codes d'accès** permettent aux résidents d'activer un dispositif d'accès connecté à un relai (relais 1 ou relais 2). Il y a deux types de code d'accès disponibles dans ce système. Un **code standard à quatre chiffres** déclenche UNIQUEMENT le relai (1 ou 2) auquel le code a été attribué. Un **code spécial à cinq chiffres** (code à 4 chiffres + 1 ou 2) déclenche le relai correspondant au dernier chiffre saisi. Le choix du **code standard à 4 chiffres** ou du **code spécial à 5 chiffres** dépend de l'application, les codes standards à 4 chiffres maximisent la capacité de mémoire pour les systèmes contrôlant deux points d'accès pour un grand nombre d'utilisateurs. Les codes spéciaux à 5 chiffres fournissent un accès sécurisé personnalisé pour deux points d'accès indépendants (voir le tableau ci-dessous).

Code standard à 4 chiffres	<b>Code d'entrée</b> (4 chiffres)	Active le relai attribué préalablement lors de la création du code.
Code spécial à 5 chiffres (relais 1)	<b>Code d'entrée</b> (4 chiffres) + 1	Activation du relai 1
Code spécial à 5 chiffres (relais 2)	<b>Code d'entrée</b> (4 chiffres) + 2	Activation du relai 2

### RÉPONDRE AUX APPELS DU SYSTÈME EL1SS

Lorsque le téléphone de la maison reçoit un appel du système EL1SS, répondre à l'appel et appuyer sur **0** pour activer l'audio et parler au visiteur. Pour refuser l'accès à la propriété par l'appelant, raccrocher. Pour allonger le temps de conversation, appuyer sur le **0** ou continuer à parler.

### AUTORISER L'ACCÈS

Appuyer sur **\*9** pour donner accès par la porte ou la barrière connectée au relais 1. L'appel sera conclu.

**OU** Appuyer sur **\*5** pour donner accès par la porte ou la barrière connectée au relais 2. L'appel sera conclu.

## INSTALLATEUR – PROGRAMMATION DU SYSTÈME AVEC LE CLAVIER

Les tableaux suivants constituent une référence aux options de programmation du système EL1SS avec le clavier. Les étapes de programmation ci-dessous sont utilisées principalement par l'installateur lors de la configuration initiale (occasionnellement utilisées par le résident). Les options de programmation aux pages 15 à 17 peuvent être utilisées par le résident ou l'installateur. Le **code maître** de l'unité est réservé aux commandes au niveau du propriétaire/administrateur des lieux et est utilisé au début de toute programmation.

### SÉQUENCE DES ENTRÉES DE PROGRAMMATION

La programmation qui commence par le **code maître** exige que la chaîne de chiffres soit **saisie sans faire de pause** entre le code maître et l'étape de programmation (le code maître a une double fonctionnalité; il sert aussi de code d'accès lorsqu'il est saisi seul).

CODE DE PROGRAMMATION		DESCRIPTION DE LA FONCTION OU DU RÉGLAGE	ÉTAPES DE PROGRAMMATION
	<b>03</b>	<b>ACTIVATION DE L'INTERPHONE (PAS DE LIGNE TÉLÉPHONIQUE DE TELCO)</b> Réglage d'usine : Désactivé Le mode interphone permet la communication entre l'unité et le téléphone d'un résident sans utiliser de ligne téléphonique (le système génère son propre signal).	<b>Code maître</b> (4 chiffres) + <b>03</b>
	<b>04</b>	<b>ACTIVATION DU MODE TELCO (NO L'INTERPHONE)</b> Réglage d'usine : Activé Le mode Telco utilise la ligne téléphonique de la résidence pour permettre les communications entre le ou les téléphones du résident et/ou pour composer le numéro de téléphone auquel l'appel sera renvoyé.	<b>Code maître</b> (4 chiffres) + <b>04</b>
	<b>06</b>	<b>VOLUME DU HAUT-PARLEUR</b> Réglage d'usine : Niveau 2 Permet aux visiteurs qui sont près de l'appareil d'entendre les résidents; niveau <b>1</b> = faible, <b>2</b> = moyen, <b>3</b> = élevé Pour un réglage adéquat dans des conditions typiques (à l'intérieur d'un véhicule garé dont le moteur tourne), demander au résident de parler d'une voix normale. Régler le volume vers le haut ou le bas au besoin.	<b>Code maître</b> (4 chiffres) + <b>06</b> + niveau du volume ( <b>1</b> = faible, <b>2</b> = moyen, <b>3</b> = élevé)
	<b>07</b>	<b>SENSIBILITÉ DU MICROPHONE</b> Réglage d'usine : Niveau 2 Permet aux résidents d'entendre les visiteurs qui sont près de l'appareil; niveau <b>1</b> = faible, <b>2</b> = moyen, <b>3</b> = élevé Pour un réglage adéquat dans des conditions typiques (à l'intérieur d'un véhicule garé dont le moteur tourne, en utilisant une voix normale), demander au résident si le volume de l'audio est approprié. Régler le volume vers le haut ou le bas au besoin.	<b>Code maître</b> (4 chiffres) + <b>07</b> + niveau du volume ( <b>1</b> = faible, <b>2</b> = moyen, <b>3</b> = élevé)
	<b>09</b>	<b>MODIFICATION DU CODE MAÎTRE</b> <i>Noter le code maître et le conserver dans un endroit sûr.</i>	<b>Code maître</b> (4 chiffres) + <b>09</b> + # # # + <b>Nouveau Code maître</b> (4 chiffres)
CONFIGURATION DE SORTIE	<b>021</b>	<b>ACTIVATION DE SORTIE PARALLÈLE DU RELAI</b> Réglage d'usine : Désactivé	<b>Code maître</b> (4 chiffres) + <b>021</b>
	<b>023</b>	<b>ACTIVATION DU CONTRÔLE DE SORTIE INDÉPENDANTE DU RELAI</b> Réglage d'usine : Activé	<b>Code maître</b> (4 chiffres) + <b>023</b>
	<b>024</b>	<b>RÉGLAGE DE LA PÉRIODE DE SORTIE DU RELAI (RELAJ 1)</b> Réglage d'usine : 0,5 seconde C'est la période de temps (en secondes) pendant laquelle le relai demeure actif.	<b>Code maître</b> (4 chiffres) + <b>024</b> + période de sortie du relai (0000-8000 secondes*) <b>REMARQUE</b> : La période de sortie du relai est <b>TOUJOURS</b> formée de 4 chiffres.
	<b>025</b>	<b>RÉGLAGE DE LA PÉRIODE DE SORTIE DU RELAI (RELAJ 2)</b> Réglage d'usine : 0,5 seconde C'est la période de temps (en secondes) pendant laquelle le relai demeure actif.	<b>Code maître</b> (4 chiffres) + <b>025</b> + période de sortie du relai (0000-8000 secondes*) <b>REMARQUE</b> : La période de sortie du relai est <b>TOUJOURS</b> formée de 4 chiffres.

\*Exemple : 0000 = 0,5 seconde (minimum) 0010 = 10 secondes 8000 = 8000 secondes (2 heures et 13 minutes maximum)

## PROGRAMMATION SUPPLÉMENTAIRE DU SYSTÈME AVEC LE CLAVIER

CODE DE PROGRAMMATION	DESCRIPTION DE LA FONCTION OU DU RÉGLAGE	ÉTAPES DE PROGRAMMATION
7	SUPPRIMER LE CODE D'ENTRÉE	<b>Code maître</b> (4 chiffres) + <b>7</b> + <b>Code d'entrée à supprimer</b> (4 chiffres)
9	<b>CRÉER UN CODE D'ACCÈS À 4 CHIFFRES</b> <b>REMARQUES :</b> <ul style="list-style-type: none"> <li>• Le code d'entrée ne peut être identique au code maître.</li> <li>• Un code d'accès à 4 chiffres commande un relais dès sa saisie.</li> </ul>	<b>Code maître</b> (4 chiffres) + <b>9</b> + <b>Nouveau Code d'entrée</b> (4 chiffres) + <b>1 ou 2</b> (Le relais aura été attribué préalablement à ce code d'accès). Attendre d'entendre la confirmation par le système.
	<b>CRÉER UN CODE D'ACCÈS À 5 CHIFFRES</b> <b>REMARQUES :</b> <ul style="list-style-type: none"> <li>• Le code d'entrée ne peut être identique au code maître.</li> <li>• Un code d'accès à 5 chiffres commande une porte qui peut être sélectionnée au moment de la saisie.  Dernier chiffre = 1 ouvre la porte 1  Dernier chiffre = 2 ouvre la porte 2</li> </ul>	<b>Code maître</b> (4 chiffres) + <b>9</b> + <b>Nouveau Code d'entrée</b> (4 chiffres) Le résident devra saisir le <b>Code d'entrée + 1 ou 2</b> (le relais associé au dispositif que le résident souhaite activer) <b>REMARQUE :</b> Si aucun bouton n'a été enfoncé pour le relais, les deux relais s'activeront simultanément, à moins que la commande de sortie de relais indépendante n'ait été activée.
51	<b>CRÉER UN CODE D'ENTRÉE TEMPORAIRE (UN SEUL USAGE)</b> Le système EL1SS retient 1 code d'entrée temporaire. <b>REMARQUE :</b> Le code d'entrée ne peut être identique au code maître.	<b>Code maître</b> (4 chiffres) + <b>51</b> + <b>Nouveau Code d'entrée temporaire (un seul usage)</b> (4 chiffres) + <b>1 ou 2</b> (Le relais associé au dispositif d'accès que le résident souhaite activer) <b>ou</b> aucun bouton n'est enfoncé <b>REMARQUE :</b> Si aucun bouton n'a été enfoncé pour le relais, les deux relais s'activeront simultanément, à moins que la commande de sortie de relais indépendante n'ait été activée. Expire dans les 24 heures suivantes ou après la première
52	<b>ACTIVATION DU MODE ABSENCE (VERROUILLAGE)</b> Réglage d'usine : Désactivé Bloque le système contre toute activité de code d'entrée.	<b>Code maître</b> (4 chiffres) + <b>52</b>
53	<b>DÉSACTIVATION DU MODE ABSENCE (VERROUILLAGE)</b>	<b>Code maître</b> (4 chiffres) + <b>53</b>
54	<b>ACTIVATION DU MODE RÉCEPTION (RELAJ 1)</b> Réglage d'usine : Désactivé Le mode festif enclenchera le relais 1.	<b>Code maître</b> (4 chiffres) + <b>54</b> Pour désactiver le mode réception, saisir un <b>Code d'entrée</b> valide sur le clavier du EL1SS ou saisir « *9 » sur un appareil téléphonique local.
56	<b>ACTIVATION DU MODE RÉCEPTION (RELAJ 2)</b> Réglage d'usine : Désactivé Le mode festif enclenchera le relais 2. <b>REMARQUE :</b> La configuration de sortie doit être en mode de commande indépendante des relais (par défaut) pour engager le mode Festif sur le relais 2.	<b>Code maître</b> (4 chiffres) + <b>56</b> Pour désactiver le mode réception, saisir un <b>Code d'entrée</b> valide sur le clavier du EL1SS ou saisir « *5 » sur un appareil téléphonique local.

## RÉSIDENT – PROGRAMMATION DU SYSTÈME AVEC LE TÉLÉPHONE INTÉRIEUR

Un téléphone intérieur est un appareil câblé au système EL1SS. Voir les instructions de renvoi d'appel à la page 17.

CODE DE PROGRAMMATION	DESCRIPTION DE LA FONCTION OU DU RÉGLAGE	ÉTAPES DE PROGRAMMATION
<b>**01</b>	<b>ACTIVATION DU RENVOI D'APPEL</b> Réglage d'usine : Désactivé <i>REMARQUE : Ce paramètre exige que le système soit connecté à la ligne téléphonique de la résidence et que le mode Telco soit activé (voir la page 14).</i>	<b>**01</b>
<b>**02</b>	<b>DÉSACTIVATION DU RENVOI D'APPEL</b>	<b>**02</b>
<b>**03</b>	<b>ACTIVATION DE L'INTERPHONE</b> Réglage d'usine : Désactivé	<b>**03</b>
<b>**06</b>	<b>VÉRIFICATION DU NUMÉRO DE RENVOI D'APPEL (PAR IDENTIFICATION DE L'APPELANT)</b> Réglage d'usine : Désactivé	<b>**06</b> Raccrocher le téléphone et attendre la sonnerie.
<b>**07</b>	<b>EACTIVATION DU MODE TELCO</b> Réglage d'usine : Activé	<b>**07</b>
<b>**#8</b>	<b>EFFACEMENT DU NUMÉRO DE RENVOI D'APPEL</b> <i>REMARQUE : Cette commande va également désactiver le mode de transfert d'appel.</i>	<b>**#8</b>
<b>**10</b>	<b>RÉGLAGE DU NOMBRE DE SONNERIES D'ACTIVATION</b> Réglage d'usine : 5	<b>**10</b> + Nombre de sonneries <b>2 à 5</b>
<b>**13</b>	<b>PROGRAMMATION DE L'ACTIVATION D'UNE DOUBLE TONALITÉ MULTIFRÉQUENCE DE REMPLACEMENT (DTMF)</b> Cette fonction modifie les chiffres de programmation entrants de ** à ## (et de ## à #*) pour fonctionner avec les lignes de téléphone (ou l'équipement téléphonique) qui réagissent à la tonalité * . Réglage d'usine : Désactivé <i>REMARQUE : La ligne de téléphone doit être déconnectée lors de la saisie de cette commande.</i>	<b>**13</b>
<b>**14</b>	<b>ACTIVATION DE LA TONALITÉ DE SONNERIE STANDARD (LONGUE)</b> Réglage d'usine : Activé	<b>**14</b>
<b>**15</b>	<b>ACTIVATION D'UNE TONALITÉ (DOUBLE) DE SONNERIE DE REMPLACEMENT</b> Réglage d'usine : Activé <i>REMARQUE : Autre fonction de sonnerie peut ne pas fonctionner avec tous les téléphones.</i>	<b>**15</b>
<b>#*16</b>	<b>PROGRAMMATION DE LA DÉSACTIVATION D'UNE DOUBLE TONALITÉ MULTIFRÉQUENCE DE REMPLACEMENT (DTMF)</b>	<b>#*16</b>
<b>*# Numéro de renvoi d'appel #</b>	<b>SAISIE DU NUMÉRO DE RENVOI D'APPEL</b>	<b>*# + numéro de téléphone</b> (jusqu'à 14 chiffres) + #

## RÉSIDENT – COMMANDES DIRECTES AVEC LE TÉLÉPHONE INTÉRIEUR

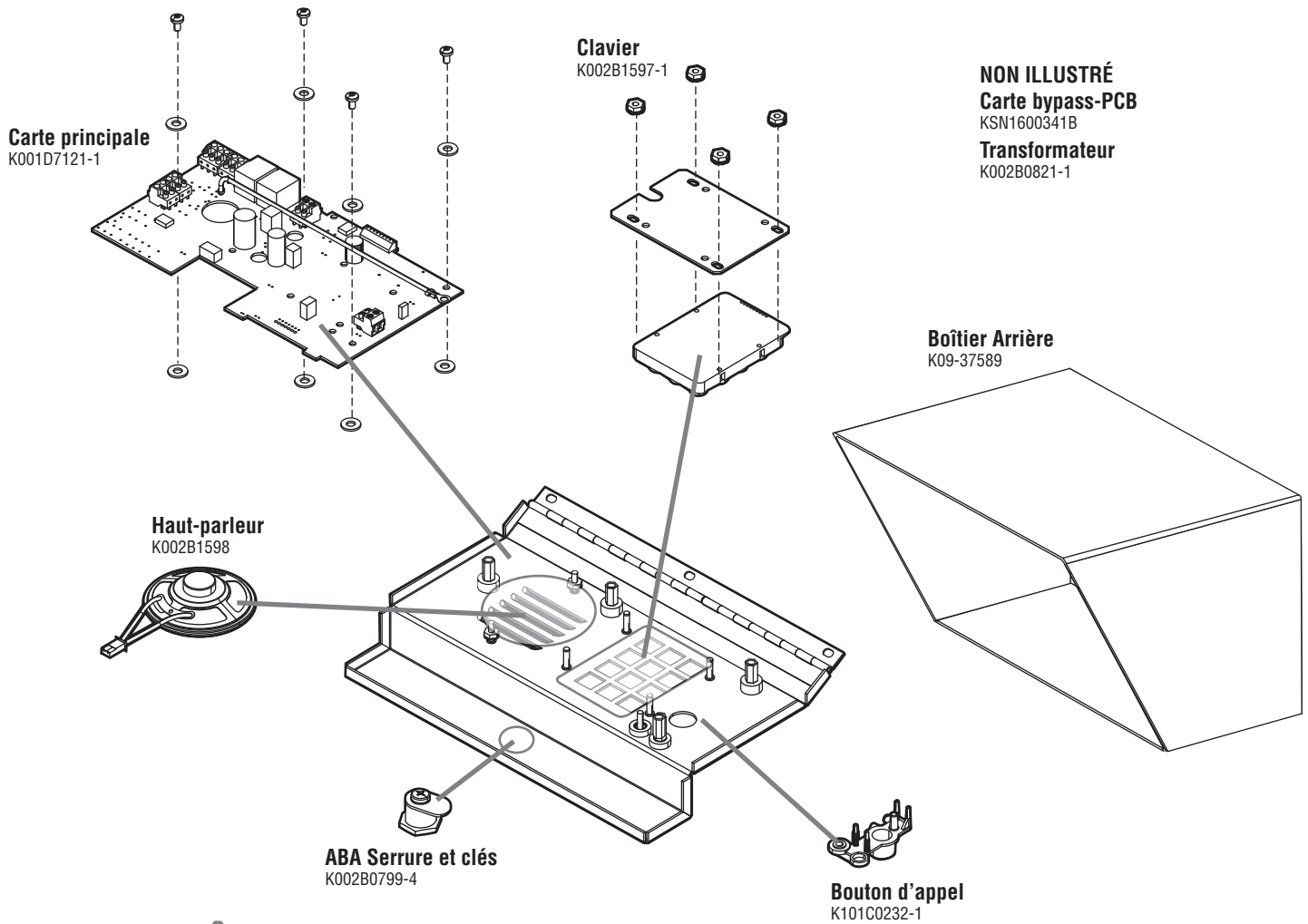
CODE DE PROGRAMMATION	DESCRIPTION DE LA FONCTION OU DU RÉGLAGE	ÉTAPES DE PROGRAMMATION
<b>**04</b>	<b>ACTIVATION DU MODE RÉCEPTION (VERROUILLAGE) (RELAJ 1)</b> Le mode festif enclenchera le relais et laissera le dispositif d'accès ouvert pour permettre aux invités d'avoir accès aux lieux. Pour désactiver le mode réception : saisir « *9 » sur l'appareil téléphonique local.	<b>**04</b>
<b>**05</b>	<b>DÉSACTIVATION DU MODE RÉCEPTION (VERROUILLAGE) (RELAJ 2)</b> Pour désactiver le mode réception : saisir « *5 » sur l'appareil téléphonique local.	<b>**05</b>
<b>*5</b>	<b>ACTIVATION DU RELAI 2</b>	<b>*5</b>
<b>*9</b>	<b>ACTIVATION DU RELAI 1</b>	<b>*9</b>
<b>**11</b>	<b>ACTIVATION DU MODE « NE PAS DÉRANGER »</b> Ce mode désactive les appels du système au téléphone intérieur ou au téléphone auquel l'appel est renvoyé. Réglage d'usine : Désactivé	<b>**11</b>
<b>**12</b>	<b>DÉSACTIVATION DU MODE « NE PAS DÉRANGER »</b>	<b>**12</b>

## RÉSIDENT – COMMANDES DIRECTES AVEC LE TÉLÉPHONE AUQUEL L'APPEL EST RENVOYÉ

CODE DE PROGRAMMATION	DESCRIPTION DE LA FONCTION OU DU RÉGLAGE	ÉTAPES DE PROGRAMMATION
<b>0</b>	En saisissant <b>0</b> , l'audio est activée de manière à ce que le résident puisse parler au téléphone avec le visiteur (accroît aussi la période de conversation).	<b>0</b>
<b>*5</b>	<b>ACTIVATION DU RELAI 2</b>	<b>*5</b>
<b>*9</b>	<b>ACTIVATION DU RELAI 1</b>	<b>*9</b>
	<b>APPEL EN ATTENTE (POUR LIGNE TERRESTRES)</b> Appuyer sur « <b>Flash</b> » une fois pour répondre à l'invité, appuyer de nouveau sur la touche pour revenir à l'appel extérieur sur la ligne de la compagnie de Telco, si *9 ou *5 n'ont pas été composés. Si *9 (relais 1) ou *5 (relais 2) est enfoncée, le EL1SS reviendra automatiquement à la ligne de Telco.	

# PIÈCES DE RÉPARATION

NUMÉRO DE PIÈCE	DESCRIPTION
KSN1600341B	Carte bypass
K002B0821-1	Transformateur 16.5 Vcc 2.5 A
K002B1597-1	Clavier
K001D7121-1	Carte principale
K002B1598	Haut-parleur
K002B0799-4	Serrure et clés
K101C0232-1	Bouton d'appel
K09-37589	Boîtier Arrière



## CODE MAÎTRE DU EL1SS

Noter le code maître et le conserver dans un endroit sûr.

--	--	--	--



# GARANTIE

LiftMaster (« le Vendeur ») garantit à l'acheteur initial de ce produit, dans le bâtiment duquel ce produit est originalement installé, que le produit est exempt de tout défaut de matériau ou de fabrication pour une période de deux ans à compter de la date d'achat.

Pour que ce produit fonctionne correctement, il est nécessaire de se conformer aux instructions relatives à l'installation, à l'opération, à la maintenance et aux tests. Le non-respect de ces instructions annule totalement la présente garantie limitée.

Si, au cours de la période de la garantie limitée, ce produit semble présenter un défaut couvert par la présente garantie limitée, appeler le 1-800-528-2806 sans frais avant de démonter le produit. Envoyer ensuite le produit, en port payé et assuré, à notre centre de service pour obtenir un remplacement sous garantie. Le Vendeur vérifiera les produits qui lui sont retournés pour remplacement. S'il s'avère que les produits étaient effectivement défectueux et couverts par la présente garantie limitée, le Vendeur remplacera (à sa discrétion) sans frais pour l'acheteur les produits concernés, puis les retournera en port payé. Les pièces défectueuses seront réparées ou remplacées par de nouvelles pièces ou par des pièces remises à neuf en usine, à la seule discrétion du Vendeur.

LA PRÉSENTE GARANTIE LIMITÉE REMPLACE TOUTE AUTRE GARANTIE, EXPRESSE OU IMPLICITE, NOTAMMENT TOUTE GARANTIE IMPLICITE DE QUALITÉ MARCHANDE OU D'ADAPTATION À UN BUT PARTICULIER, OU AUTRE, ET TOUTE AUTRE OBLIGATION OU RESPONSABILITÉ DE LA PART DU VENDEUR. LA PRÉSENTE GARANTIE LIMITÉE NE COUVRE PAS LES DOMMAGES QUI NE SONT PAS DUS À UN DÉFAUT, CEUX CAUSÉS PAR UNE MAUVAISE INSTALLATION, UNE OPÉRATION OU UN ENTRETIEN INADÉQUATS (INCLUANT, NOTAMMENT, LES AVARIES DUES À UN MAUVAIS TRAITEMENT, UN USAGE NON APPROPRIÉ, L'ABSENCE D'ENTRETIEN RAISONNABLE ET NÉCESSAIRE, DES RÉPARATIONS NON AUTORISÉES OU TOUTE MODIFICATION À CE PRODUIT), LES FRAIS DE MAIN-D'ŒUVRE POUR LA RÉINSTALLATION D'UNE UNITÉ RÉPARÉE OU REMPLACÉE, LES PROBLÈMES D'INTERFÉRENCE OU LE REMPLACEMENT DES PILES.

LE VENDEUR NE SERA EN AUCUN CAS TENU RESPONSABLE DES DOMMAGES SPÉCIAUX, CONSÉCUTIFS OU INDIRECTS RÉSULTANT DE L'UTILISATION OU DE L'IMPOSSIBILITÉ D'UTILISER CE PRODUIT. EN AUCUN CAS LA RESPONSABILITÉ DU VENDEUR POUR L'INOBSERVATION DE GARANTIE, LA RUPTURE DE CONTRAT, LA NÉGLIGENCE OU LA RESPONSABILITÉ OBJECTIVE NE POURRA EXCÉDER LE COÛT DU PRODUIT GARANTI PAR LA PRÉSENTE. NUL N'EST AUTORISÉ À ASSUMER POUR NOUS D'AUTRES RESPONSABILITÉS RELATIVEMENT À LA VENTE DE CE PRODUIT.

Certaines provinces n'acceptant pas l'exclusion ou les restrictions relatives aux dommages spéciaux, consécutifs ou indirects, les restrictions ou exclusions figurant dans la présente garantie pourraient ne pas s'appliquer. La présente garantie limitée accorde certains droits légaux spécifiques à l'acheteur et il se peut qu'il ait d'autres droits qui varient d'une province à l'autre.

**POUR OBTENIR DU SOUTIEN TECHNIQUE, VEUILLEZ APPELER NOTRE NUMÉRO SANS FRAIS :**

**1-800-528-2806**

**LiftMaster.com**

AVIS : Les règles de la FCC ou d'Industrie Canada (IC), ou les deux, interdisent tout ajustement ou toute modification de ce récepteur et/ou de cet émetteur, sauf pour modifier le code ou pour remplacer la pile. IL N'EXISTE AUCUNE AUTRE PIÈCE SUSCEPTIBLE D'ÊTRE ENTRETENUE PAR L'UTILISATEUR.

Vérfié pour conformité avec les normes de la FCC POUR UTILISATION À LA MAISON OU AU BUREAU. L'utilisation est sujette aux deux conditions ci-après : (1) ce dispositif ne peut causer des interférences nuisibles, et (2) ce dispositif doit accepter toute interférence reçue, y compris une interférence pouvant causer un fonctionnement non désiré.

Ce document est protégé par des droits d'auteur et ne peut être copié ou adapté sans le consentement écrit et préalable de LiftMaster. Ce document contient des renseignements exclusifs à LiftMaster et ceux-ci ne peuvent être diffusés sans le consentement écrit et préalable de LiftMaster. Le logiciel et le micrologiciel intégrés au produit de LiftMaster et dont il est question dans ce document sont aussi protégés par des droits d'auteur et contiennent des renseignements exclusifs à LiftMaster.





# EL1SS

Sistema de entrada teléfono

Manual de instalación y configuración

Para ver videos instructivos, visite  
LiftMaster Training Academy en  
[LiftMastertraining.com](http://LiftMastertraining.com)

**LiftMaster®**

**INTRODUCCIÓN . . . . . 2-3**

Cables requeridos . . . . .	2
Dimensiones . . . . .	2
Inventario de la caja . . . . .	3
Descripción de la tarjeta del procesador . . . . .	3

**INSTALACIÓN . . . . . 4-12**

Montaje de la unidad . . . . .	4
Descripción general del cableado de la compañía de telecomunicaciones (Telco) . . . . .	4
Descripción general de una compañía de telecomunicaciones (Telco) típica, con la unidad . . . . .	5
Cómo realizar el cableado de la unidad con la línea de la compañía de telecomunicaciones (Telco) . . . . .	6
Cómo realizar el cableado de la unidad sin una línea de la compañía de telecomunicaciones (debe usarse modo de intercomunicador) . . . . .	6
Cómo realizar el cableado de un operador de portón . . . . .	7
Cómo realizar el cableado de un sensor de llamado automático . . . . .	7
Cómo realizar el cableado de un operador de portón (normalmente abierto) y de un seguro de contacto de puerta (normalmente abierto) . . . . .	8
Cómo realizar el cableado de un operador de portón (normalmente abierto) y de un seguro magnético (normalmente cerrado) . . . . .	9
Cómo realizar el cableado de un seguro de contacto de puerta (normalmente abierto) . . . . .	10
Cómo realizar el cableado de un seguro magnético (normalmente abierto) . . . . .	10

Varilla de conexión a tierra . . . . .	11
Cableado de alimentación eléctrica . . . . .	11
Enchufar el transformador en el tomacorriente . . . . .	12
Cerrar la unidad . . . . .	12
Configuración del código maestro de la unidad . . . . .	12

**PRUEBA . . . . . 13**

Prueba del relé del portón/de la puerta . . . . .	13
Prueba de las conexiones telefónicas . . . . .	13
Operación . . . . .	13

**CONFIGURAR . . . . . 14-17**

Instalador – Programación del sistema usando el teclado . . . . .	14
Programación del sistema adicional usando el teclado . . . . .	15
Residente – Programación del sistema usando el teléfono de la casa . . . . .	16
Residente – Comandos directos usando el teléfono de la casa . . . . .	17
Residente – Comandos directos usando un teléfono transferido . . . . .	17

**PARTES DE REPUESTO . . . . . 18****CÓDIGO MAESTRO EL1SS . . . . . 18****GARANTÍA . . . . . 19**

**ADVERTENCIA:** Este producto puede exponerle a productos químicos (incluido el plomo), que a consideración del estado de California causan cáncer, defectos congénitos u otros daños reproductivos. Para más información, visite [www.P65Warnings.ca.gov](http://www.P65Warnings.ca.gov)

**RESUMEN DE LAS ESPECIFICACIONES**

<b>Características del sistema</b>	
<b>Códigos de entrada</b>	200 códigos de entrada programables y únicos de 4 dígitos
<b>Comunicaciones por voz</b>	Intercomunicador/línea telefónica/DSL
<b>Circuito de audio</b>	Comunicaciones en dúplex
<b>Software</b>	No es necesario
<b>Autollamada</b>	Facilita la notificación inmediata cuando una visita se acerca al portón (necesita un sensor opcional de proximidad)
<b>Modo de intercomunicador</b>	Sí
<b>Timbre exclusivo</b>	Sí
<b>Llamada en espera</b>	Sí
<b>Derivación de llamadas</b>	Sí (únicamente en modo de Telco)
<b>Modo "No molestar"</b>	Sí
<b>Modo compartido</b>	Sí (mantiene abierta la entrada)
<b>Modo de vacaciones</b>	Sí
<b>Código temporal de entrada (1 vez)</b>	Sí
<b>Entradas/salidas básicas</b>	
<b>Panel de control de puertas/portones</b>	2
<b>Panel</b>	
<b>Placa frontal</b>	Acero inoxidable pulido con teclado metálico de luz de fondo verde y botón de llamada iluminado
<b>Alojamiento trasero</b>	Acero inoxidable con revestimiento negro pulverizado
<b>Opciones de montaje</b>	Superficie/curva
<b>Fuente de alimentación</b>	Transformador de 120 VCA a 16 VCC (incluido)
<b>Tarjeta de puente</b>	Incluido; permite la desconexión de la unidad sin interrumpir el servicio telefónico normal
<b>Rango de temperatura</b>	De -4 °F (-20 °C) a 149 °F (65 °C)
<b>Altura</b>	15.88 cm (6.25 pulgadas)
<b>Ancho</b>	25.60 cm (10 pulgadas)
<b>Profundidad</b>	13.34 cm (5.25 pulgadas)
<b>Reglamentos</b>	FCC Parte 15, FCC Parte 68, cumple con normas de Industry Canada IC
<b>Impermeabilización</b>	NEMA 3R
<b>Garantía</b>	2 años

## CABLES REQUERIDOS

Las instalaciones en exteriores requieren cable blindado. Puede usarse cable no blindado ÚNICAMENTE en instalaciones en interiores.

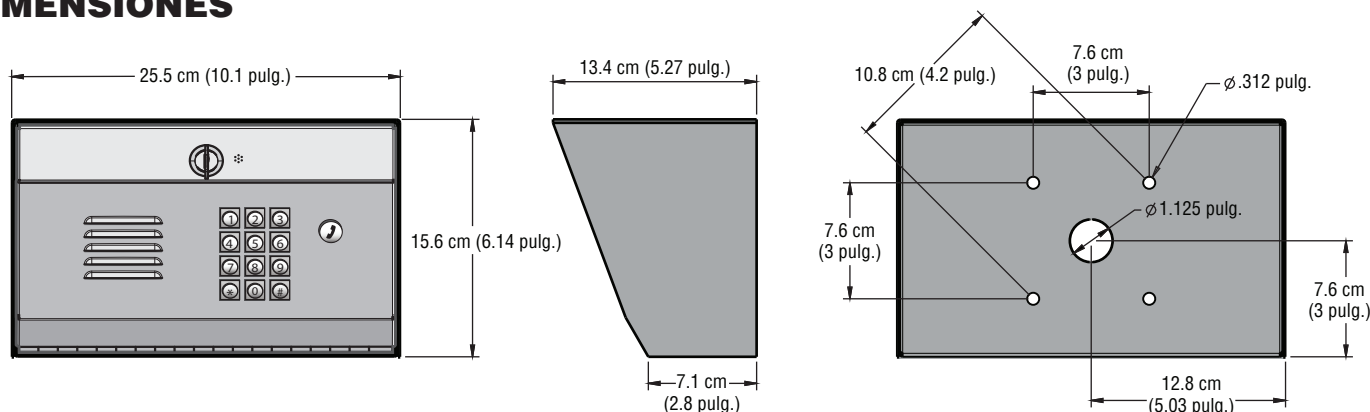
TARJETA DEL PROCESADOR	TIPO DE CABLE	RECOMENDACIONES
Desde el transformador de alimentación eléctrica hasta un tomacorriente para 120 VCA	2 - cable conductor	Únicamente blindado. <b>Consulte el Cuadro de cables de alimentación eléctrica, que figura a continuación</b>
Desde el contacto de puerta, el seguro magnético o el operador de portón	2 - cable conductor	Vea las especificaciones de dispositivo para la talla del alambre
Desde la fuente de alimentación eléctrica del contacto (si es necesario)	2 - cable conductor	Vea las especificaciones de dispositivo para la talla del alambre.
Desde la conexión a tierra hasta la tarjeta del procesador	Alambre de cobre calibre de alambre estadounidense (American wire gauge, AWG) 12, con aislamiento de PVC o Alambre de cobre AWG 12, sin aislamiento	Belden N.º 9912  Belden N.º 8011
Líneas telefónicas residenciales y de la compañía de telecomunicaciones (Telco)	Cable telefónico de par trenzado AWG 24	Blindado. Belden N.º 9502
Desde la tarjeta del procesador	Cable telefónico de par trenzado AWG 24	Blindado. Belden N.º 9502
Entre las tarjetas de procesador de una instalación de múltiples entradas	Cable telefónico de par trenzado AWG 24	Blindado. Belden N.º 9502

### CUADRO DE CABLES DE ALIMENTACIÓN ELÉCTRICA

DISTANCIA	TAMAÑO DEL CABLE DE ALIMENTACIÓN ELÉCTRICA DE CA
Menos de 9.1 m (30 pies)	AWG 18
Entre 9.1 y 22.9 m (30 y 75 pies)	AWG 18
Entre 22.9 y 45.7 m (75 y 150 pies)	AWG 18
Entre 45.7 y 76.2 m (150 y 250 pies)	AWG 16
Entre 76.2 y 152.4 m (250 y 500 pies)	AWG 12

**NOTA:** LiftMaster no se responsabiliza por las discrepancias entre la información incluida en el cuadro anterior y los requisitos de los códigos locales de construcción. Dicha información se aplica únicamente al uso sugerido. Consulte los códigos locales de construcción antes de realizar la instalación.

## DIMENSIONES



Fuente de alimentación eléctrica: 16 VCC 2.5A

## INVENTARIO DE LA CAJA

Unidad (1)

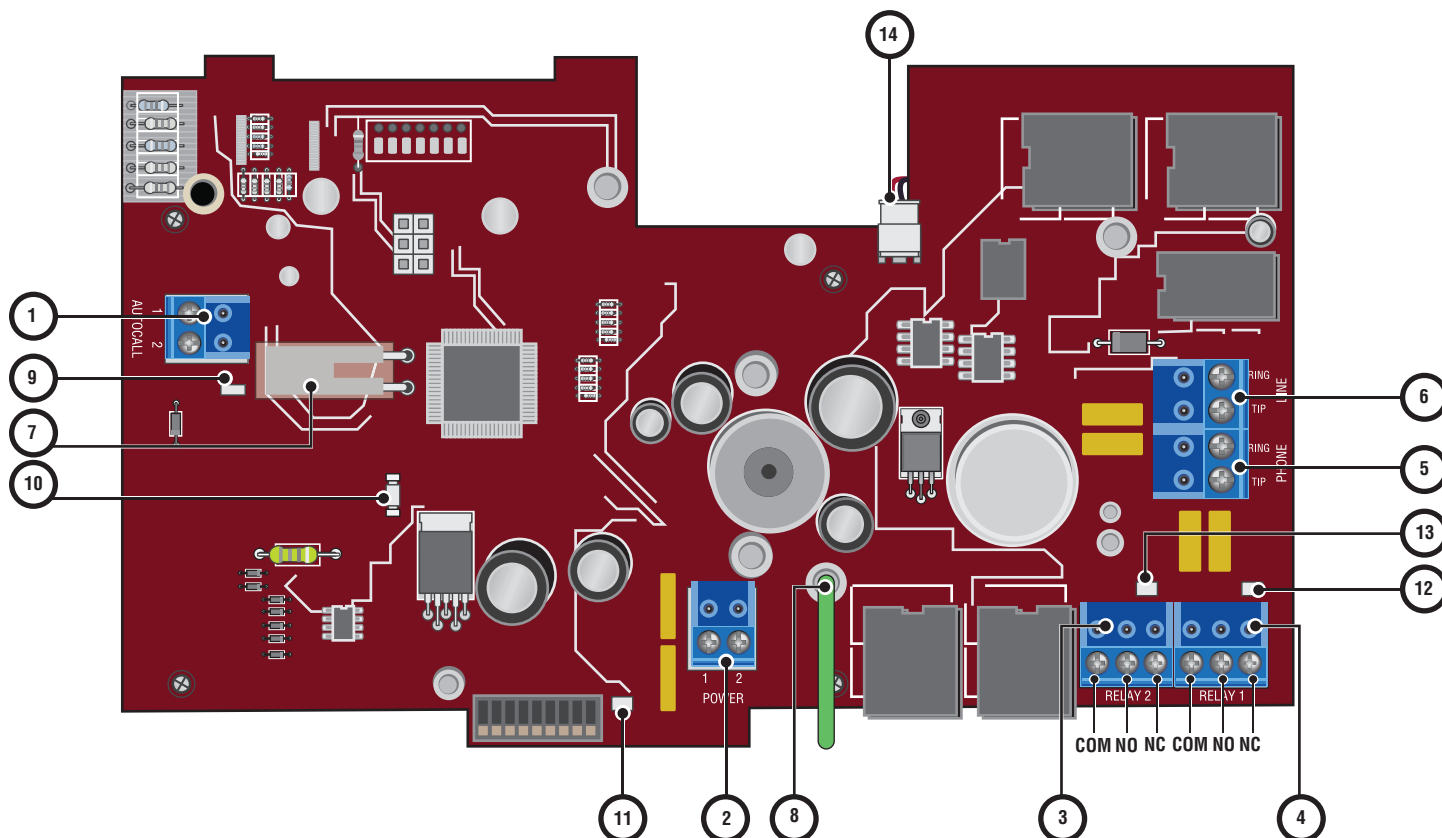
Juego de llaves (1)

Transformador enchufable de alimentación eléctrica de ca de 16.5 VCC 2.5A homologado por UL (1)

Tarjeta de puente (1)

Manual (1)

## DESCRIPCIÓN DE LA TARJETA DEL PROCESADOR

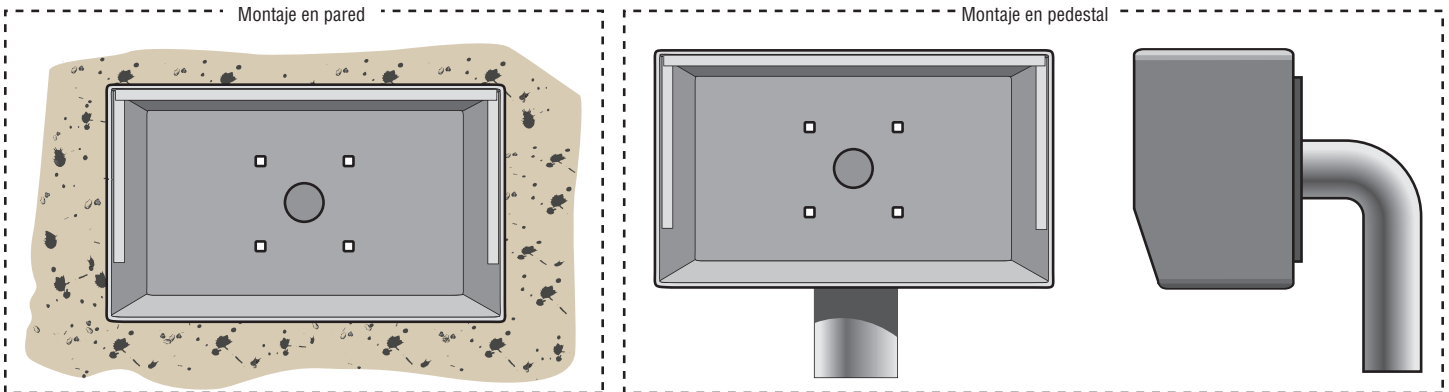


- 1 **Entrada de llamado automático:** Conector para que el dispositivo auxiliar active el llamado al hogar.
- 2 **Conector de alimentación eléctrica:** Entrada de alimentación de 16.5 VCC, no polarizada.
- 3 **Salida del relé 2:** Relé de control secundario en forma de "C".
- 4 **Salida del relé 1:** Relé de control principal en forma de "C".
- 5 **Salida de teléfono:** Conexión telefónica de retorno a los teléfonos del hogar o la oficina.
- 6 **Entrada de la línea:** Conexión telefónica de entrada desde un proveedor de servicios que sea una compañía de telecomunicaciones.
- 7 **Interruptor antisabotaje:** Cuando se dispara la alarma puede cancelarse solamente cortando la alimentación.
- 8 **Cable de conexión a tierra:** El cable debe tener una conexión a tierra positiva. Consulte la sección Varilla de conexión a tierra.
- 9 **LED de iluminación del botón Llamada**
- 10 **Indicador LED del estado de envío de datos de voz**
- 11 **Indicador LED del estado de la alimentación eléctrica**
- 12 **Indicador LED del estado de la salida del relé 1 (principal)**
- 13 **Indicador LED del estado de la salida del relé 2 (secundario)**
- 14 **Cable del altavoz**

## MONTAJE DE LA UNIDAD

1. Elegir el lugar de montaje de la unidad.
2. Destrobar el frente y abrirlo.
3. Marcar los agujeros con los orificios guía.
4. Montarla sobre una superficie sólida o columna (no se suministran los tornillos).
5. Asegúrese de que haya un drenaje correcto alejado del gabinete cuando haga la instalación.

**Accesorios:** Método opcional de montaje.  
Pedestal curvo LiftMaster PED42 o PED64



## DESCRIPCIÓN GENERAL DEL CABLEADO DE LA COMPAÑÍA DE TELECOMUNICACIONES (TELCO)

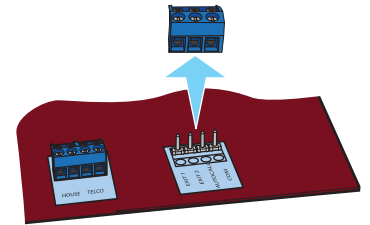
Muchas compañías telefónicas han actualizado sus estándares de colores debido al uso de cable Categoría 5 en la mayor parte de las instalaciones de líneas telefónicas, y mantienen las instalaciones residenciales y comerciales coherentes entre sí. Según el nuevo estándar, no hay cables verdes, rojos, negros ni amarillos: estos han sido reemplazados por cable blanco/azul, azul/blanco, blanco/naranja y naranja/blanco. Si el cable es principalmente naranja con franjas blancas, entonces se considera que es de color naranja/blanco. Consulte el cuadro que figura a continuación. Es muy probable que las etiquetas con el identificador del espacio de nombre (Namespace Identifier, NID) tengan el esquema de colores antiguo, y la mayoría de los componentes de cableado telefónico que puede comprar aún muestren los colores originales.

Función	Estándar de colores antiguo	Estándar de colores nuevo
Punta 1	Verde	Blanco/azul
Llamado 1	Rojo	Azul/blanco
Punta 2	Negro	Blanco/naranja
Llamado 2	Amarillo	Naranja/blanco

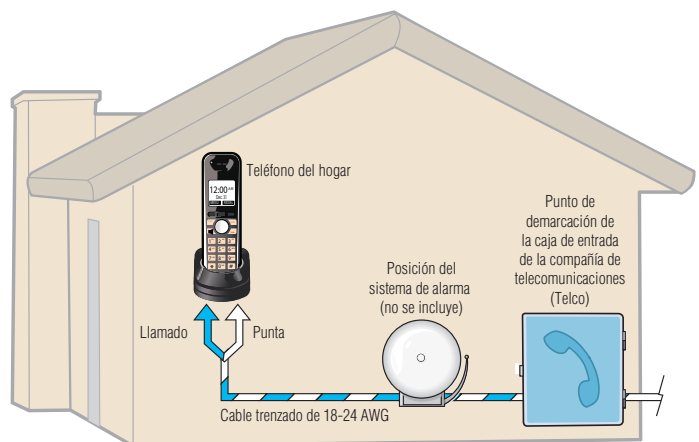
### NOTAS:

- Utilice cable trenzado de 18 a 22 AWG (Belden No 9501 o equivalente) para todas las conexiones de líneas telefónicas.
- Evite empalmar cables siempre que sea posible o use conectores de empalme telefónicos rellenos de gel para evitar problemas de conectividad.
- La medición del voltímetro entre el conductor de punta y el conductor de llamado debe ser entre 48 y 53 VCC.
- Nunca pase cables de datos y de alto voltaje por el mismo conducto. Los cables de alto voltaje pueden interferir con los cables de datos y provocar el mal funcionamiento del sistema.
- La polaridad invertida no daña la unidad; sin embargo, algunos teléfonos no funcionan correctamente.
- El EL1SS es apto para uso con un sólo sistema de control de entrada (la línea telefónica no puede compartirse con varios EL1SS).

- Los conectores de cables pueden retirarse para simplificar el cableado.
- NO sobrecargue los conectores de cables. Use ÚNICAMENTE un cable por orificio.



## Descripción general de una compañía de telecomunicaciones (Telco) típica



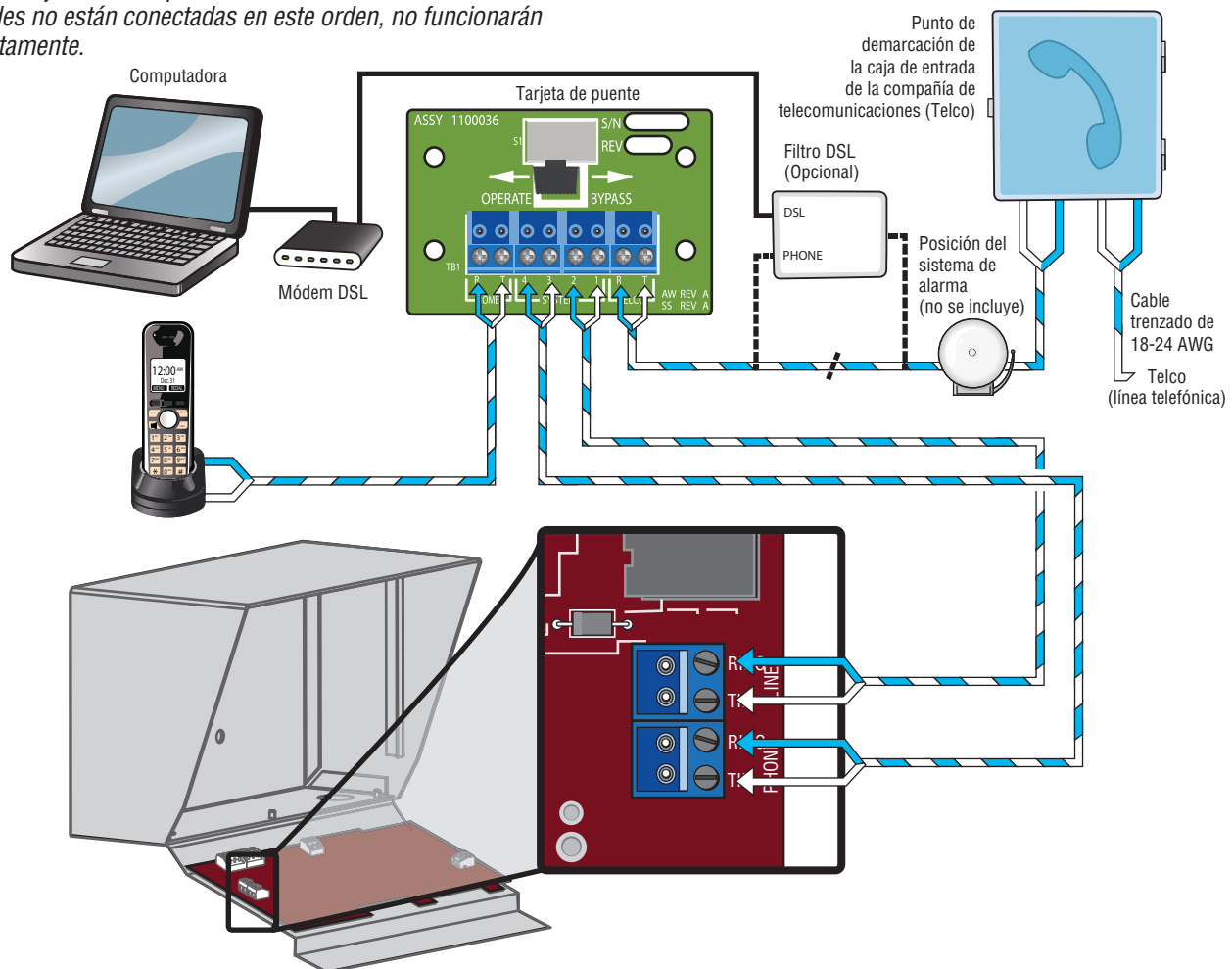
## DESCRIPCIÓN GENERAL DE UNA COMPAÑÍA DE TELECOMUNICACIONES (TELCO) TÍPICA, CON LA UNIDAD

### CONEXIÓN DE LA TARJETA DE PUENTE

La tarjeta de puente permite desconectar la unidad EL1SS sin interrumpir el servicio telefónico. Si la unidad se utiliza conjuntamente con un sistema de alarma, para que la unidad funcione normalmente primero debe conectar la línea telefónica al sistema de alarma.

#### NOTAS:

- Con la unidad **en uso**, el conmutador de puente debe estar en la posición de operación (**operate**).
- Con la unidad **desconectada**, el conmutador de puente debe estar en la posición de puente (**bypass**).
- Si la unidad se conectará con un sistema de alarma, primero debe conectar la línea telefónica al sistema de alarma en la serie desde la caja de la compañía de telecomunicaciones. Si las unidades no están conectadas en este orden, no funcionarán correctamente.



Líneas telefónicas con servicio DSL. Para que el EL1SS funcione normalmente debe instalarse un filtro para separar la señal digital de DSL del servicio telefónico.

1. Instalar el bifurcador entre la caja de entrada de línea y el EL1SS.
2. Instalar los conductores de DSL/teléfono desde la caja de entrada de línea (Telco) hasta el terminal de entrada del bifurcador.
3. Instalar un par trenzado de cobre desde el bifurcador de línea telefónica hasta el EL1SS.
4. Instalar los conductores de transmisión de datos desde el bifurcador hasta la red de computadoras.
5. Instalar los cables telefónicos del servicio residencial desde el EL1SS hasta el teléfono.



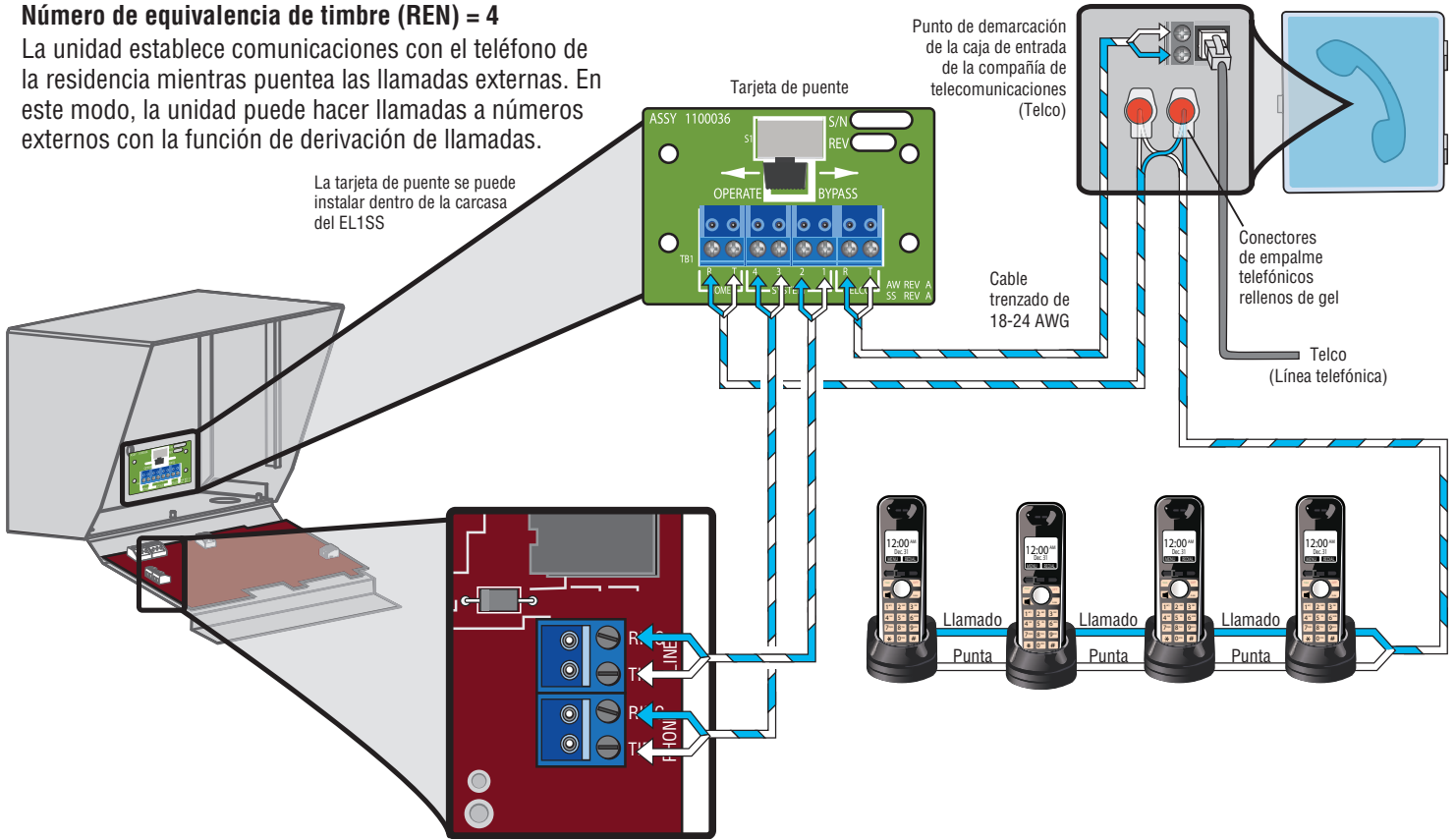
Nunca pase cables de datos y de alto voltaje por el mismo conducto. Los cables de alto voltaje pueden interferir con los cables de datos y provocar el mal funcionamiento del sistema.

## CÓMO REALIZAR EL CABLEADO DE LA UNIDAD CON LA LÍNEA DE LA COMPAÑÍA DE TELECOMUNICACIONES (TELCO)

Número de equivalencia de timbre (REN) = 4

La unidad establece comunicaciones con el teléfono de la residencia mientras puentea las llamadas externas. En este modo, la unidad puede hacer llamadas a números externos con la función de derivación de llamadas.

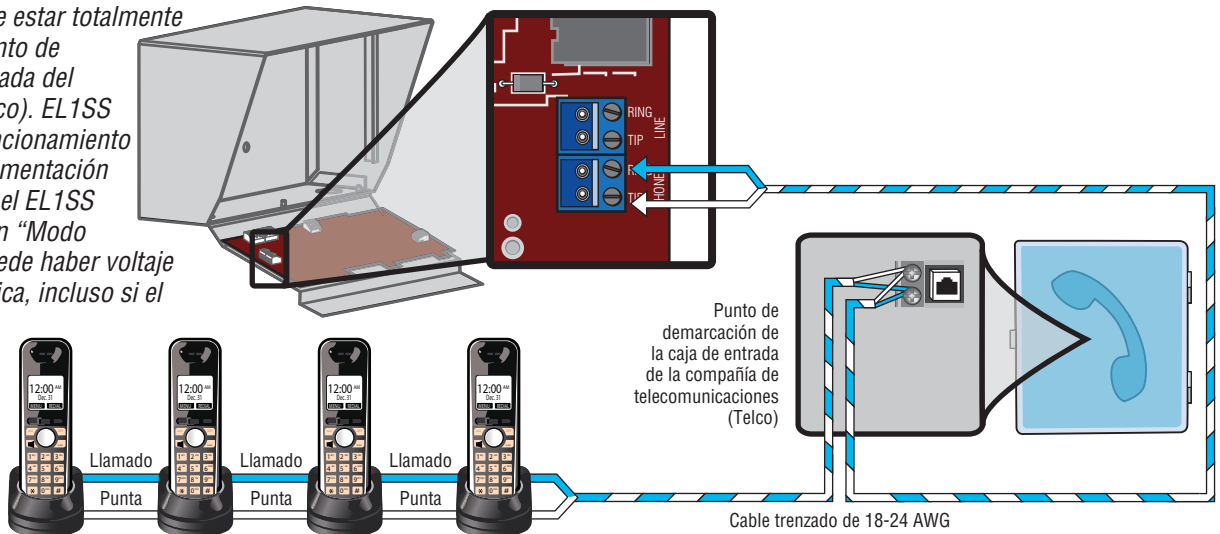
La tarjeta de puente se puede instalar dentro de la carcasa del EL1SS



## CÓMO REALIZAR EL CABLEADO DE LA UNIDAD SIN UNA LÍNEA DE LA COMPAÑÍA DE TELECOMUNICACIONES (TELCO) (DEBE USARSE MODO DE INTERCOMUNICADOR)

La unidad puede ser un sistema independiente que permita la comunicación entre la unidad y los teléfonos del residente.

**NOTA:** Debe usar modo de intercomunicador. Vea la página 14. El servicio telefónico debe estar totalmente desconectado en el punto de demarcación de la entrada del servicio telefónico (Telco). EL1SS puede tener un mal funcionamiento si se permite la retroalimentación de cualquier voltaje en el EL1SS cuando se encuentra en "Modo intercomunicador". Puede haber voltaje de la compañía telefónica, incluso si el servicio telefónico está desconectado.



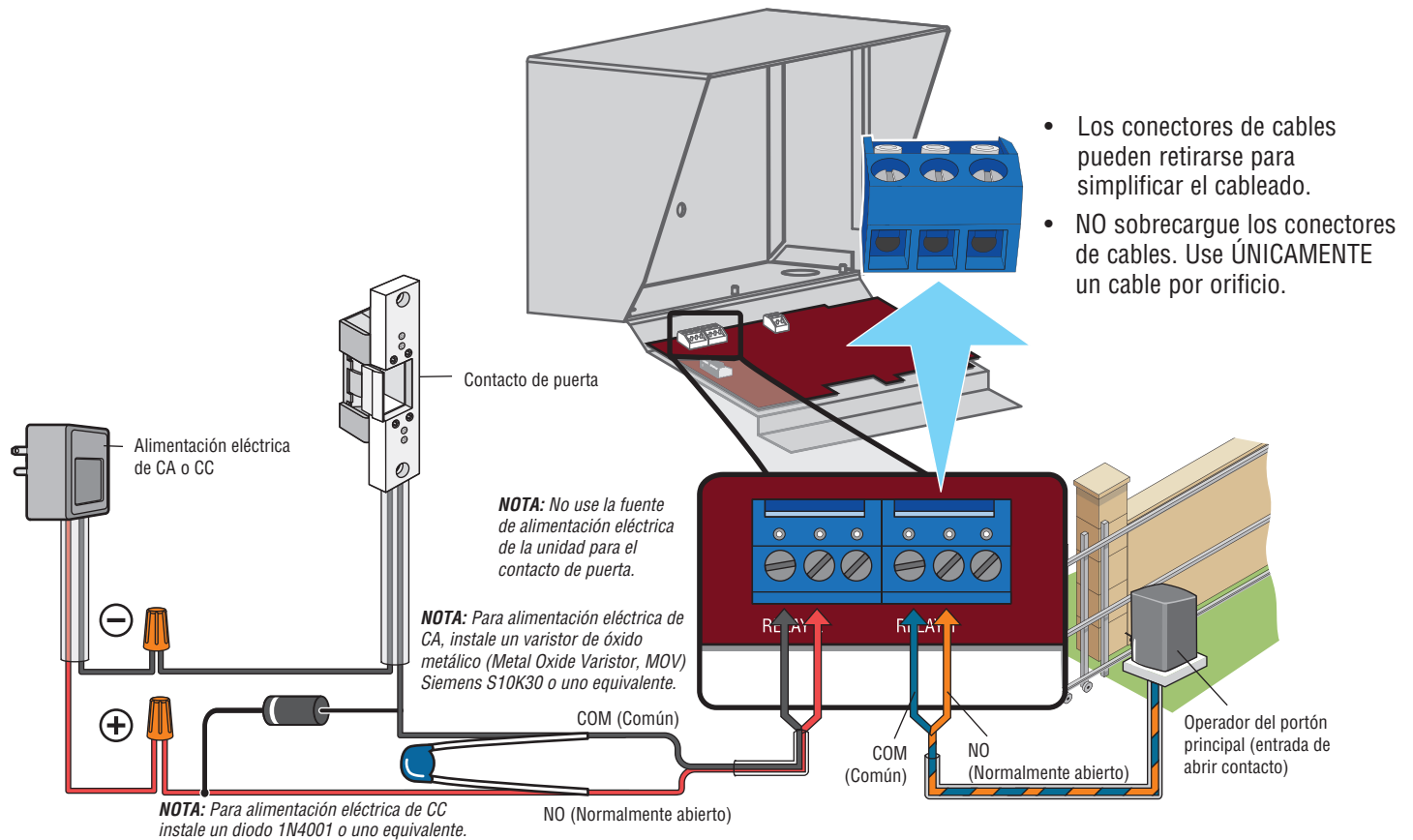
Número de equivalencia de timbre (REN) = 4





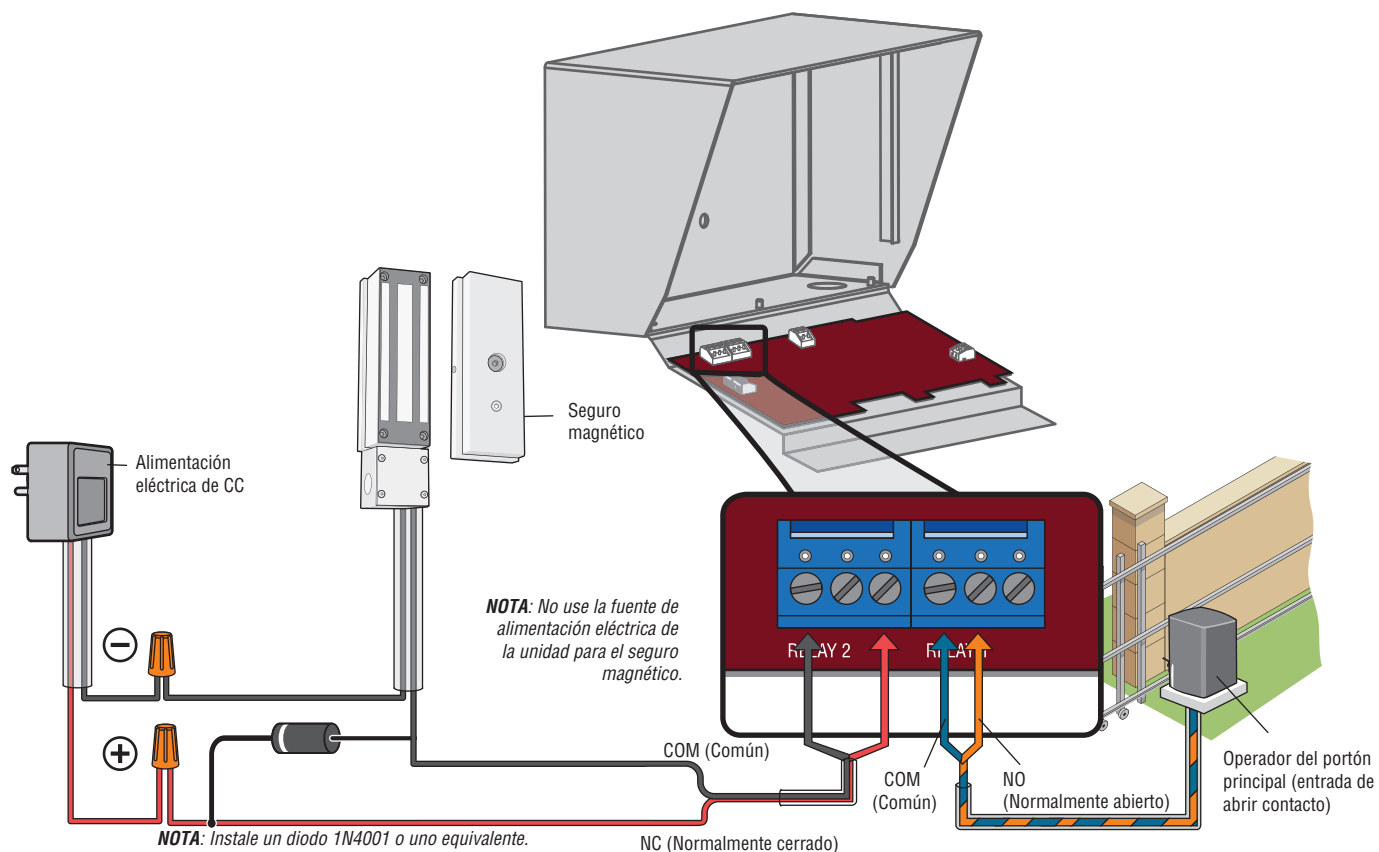
## CÓMO REALIZAR EL CABLEADO DE UN OPERADOR DE PORTÓN (NORMALMENTE ABIERTO) Y UN SEGURO DE CONTACTO DE PUERTA (NORMALMENTE ABIERTO)

El contacto de puerta puede conectarse al relé 1 o al relé 2. Consulte la sección *Configurar* para obtener información acerca de cómo configurar los relés 1 y 2.



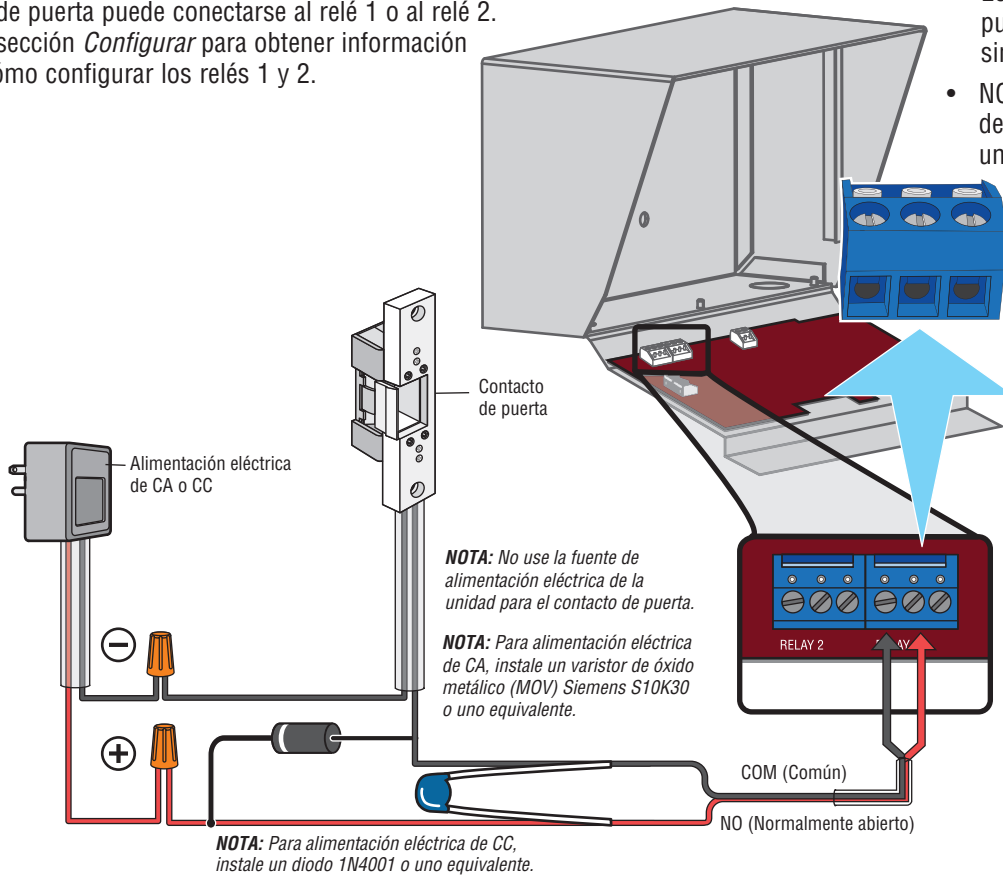
## CÓMO REALIZAR EL CABLEADO DE UN OPERADOR DE PORTÓN (NORMALMENTE ABIERTO) Y DE UN SEGURO MAGNÉTICO (NORMALMENTE CERRADO)

El contacto de seguro magnético al relé 1 o al relé 2. Consulte la sección *Configurar* para obtener información acerca de cómo configurar los relés 1 y 2.



## CÓMO REALIZAR EL CABLEADO DE UN SEGURO DE CONTACTO DE PUERTA (NORMALMENTE ABIERTO)

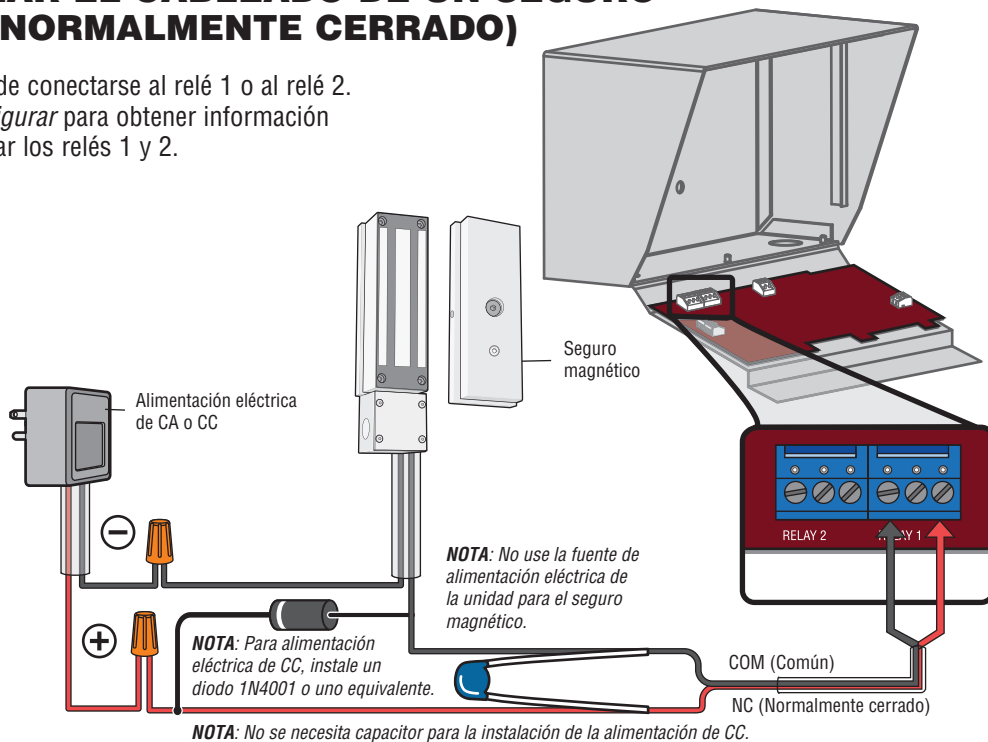
El contacto de puerta puede conectarse al relé 1 o al relé 2. Consulte la sección *Configurar* para obtener información acerca de cómo configurar los relés 1 y 2.



- Los conectores de cables pueden retirarse para simplificar el cableado.
- NO sobrecargue los conectores de cables. Use ÚNICAMENTE un cable por orificio.

## CÓMO REALIZAR EL CABLEADO DE UN SEGURO MAGNÉTICO (NORMALMENTE CERRADO)

El seguro magnético puede conectarse al relé 1 o al relé 2. Consulte la sección *Configurar* para obtener información acerca de cómo configurar los relés 1 y 2.



## VARILLA DE CONEXIÓN A TIERRA

### PRECAUCIÓN

A fin de EVITAR dañar los ductos de gas, electricidad u otros servicios públicos subterráneos, comuníquese con las compañías de localización de ductos de servicios públicos subterráneos ANTES de excavar.

Conecte la carcasa metálica y el cable verde de la placa de circuito con un cable a tierra sólido con calibre mínimo de 12 AWG.

Pase el cable a tierra sólido de calibre mínimo de 12 AWG desde la unidad hasta una conexión a tierra adecuada.

**NOTA:** Las conexiones de blindaje en las tarjetas no deben conectarse al conductor de tierra.

**IMPORTANTE:** Se recomienda el uso de una jabalina de puesta a tierra, a no más de 3.7 m (12 pies) de distancia de la unidad, con un cable 12 AWG como mínimo (en la mayoría de los casos). El tipo y la longitud de la jabalina de tierra pueden variar según la región. Comuníquese con la oficina de inspectores de la construcción en la municipalidad donde planea instalar la unidad para conocer cuáles son los materiales de conexión a tierra y los procedimientos de instalación correctos.

## CABLEADO DE ALIMENTACIÓN ELÉCTRICA

El tomacorriente de 110 VCA debe ser exclusivo para la unidad. Este tomacorriente debería estar cableado hasta su propio interruptor automático. Esto evitará dos problemas:

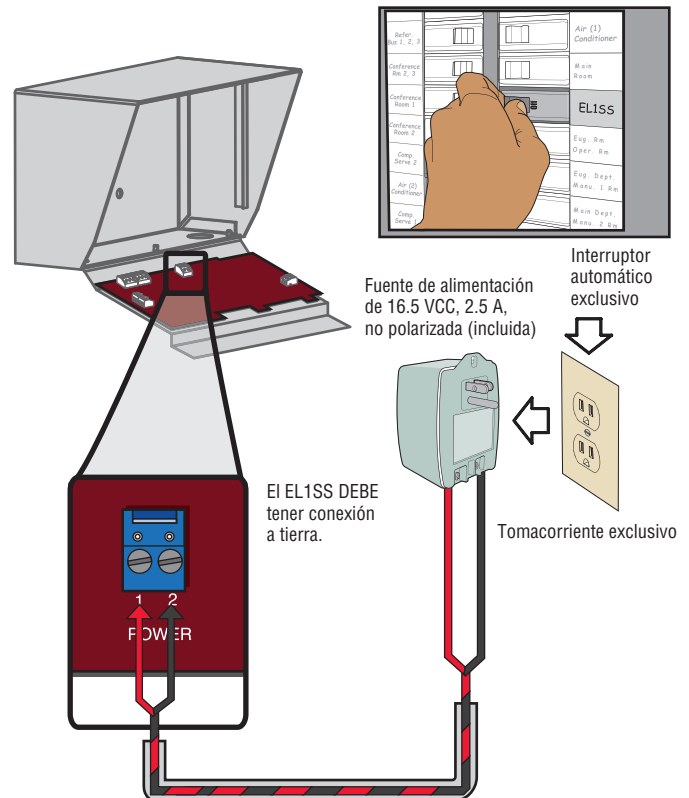
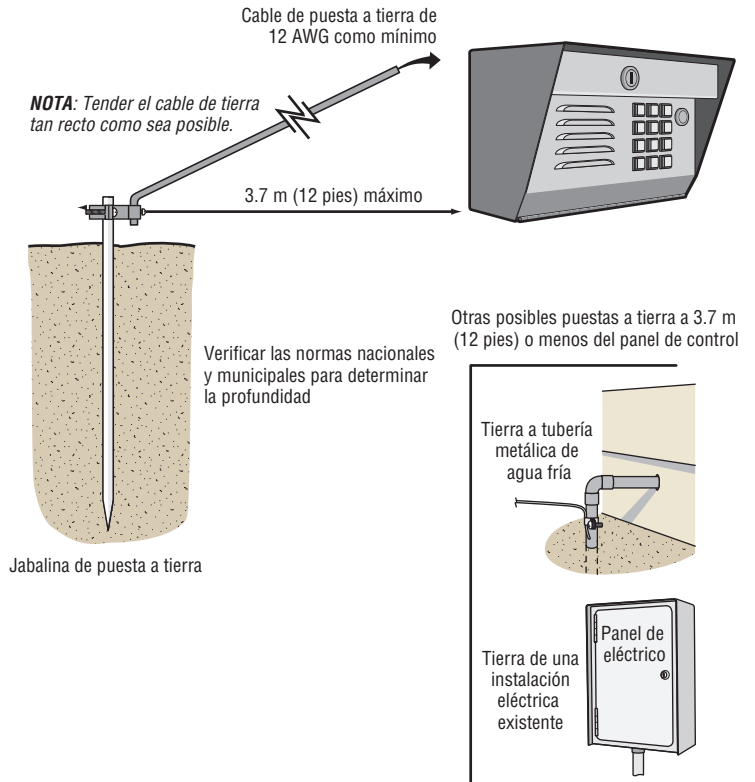
- Otros equipos no pueden causar picos de tensión, ruidos, sobrecargas ni caídas en el circuito de alimentación eléctrica.
- La operación del sistema no se verá afectada si cualquier otro equipo sufre un cortocircuito a través de la línea de alimentación eléctrica.

Cablee el transformador provisto con el sistema hasta las entradas de energía usando el tamaño de cable correcto que se indica en la tabla de abajo. Conecte el transformador en un tomacorriente de 110 VCA después de que se hayan realizado todas las conexiones. Cualquier otro tipo de tomacorriente provocará daños en el sistema.

CUADRO DE CABLES DE ALIMENTACIÓN ELÉCTRICA

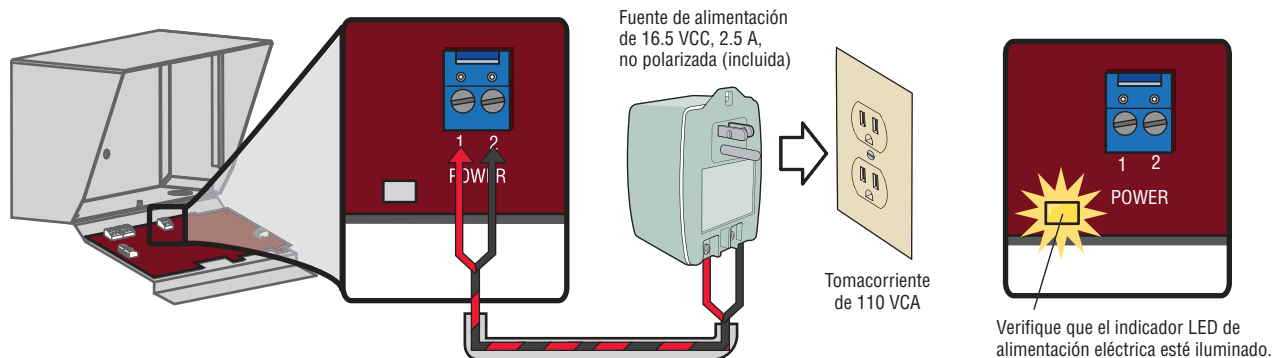
DISTANCIA	TAMAÑO DEL CABLE DE ALIMENTACIÓN ELÉCTRICA DE CA
Menos de 9.1 m (30 pies)	AWG 18
Entre 9.1 y 22.9 m (30 y 75 pies)	AWG 18
Entre 22.9 y 45.7 m (75 y 150 pies)	AWG 18
Entre 45.7 y 76.2 m (150 y 250 pies)	AWG 16
Entre 76.2 y 152.4 m (250 y 500 pies)	AWG 12

**NOTA:** LiftMaster no se responsabiliza por las discrepancias entre la información incluida en el cuadro anterior y los requisitos de los códigos locales de construcción. Dicha información se aplica únicamente al uso sugerido. Consulte los códigos locales de construcción antes de realizar la instalación.



## ENCHUFAR EL TRANSFORMADOR EN EL TOMACORRIENTE

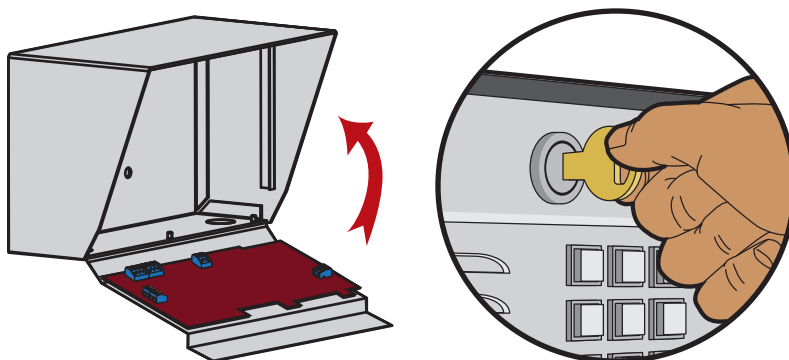
Enchufe el transformador en el tomacorriente de 110 VCA.



**NOTA:** Al conectar la alimentación, el EL1SS emitirá una señal sonora para indicar que está preparada para la programación con el código maestro. El código maestro se usa para desasegurar las funciones de programación del EL1SS. El código maestro no debe incluirse como un código de control de entrada.

## CERRAR LA UNIDAD

Use amarracables para organizar los cables dentro de la carcasa, dejando suficiente longitud en los extremos para curvaturas y bucles de servicio. Gire el panel frontal hacia arriba mientras mantiene los cables alejados del panel para evitar daños por pellizco. Trabar el panel frontal.



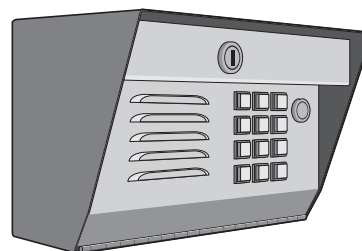
## CONFIGURACIÓN DEL CÓDIGO MAESTRO DE LA UNIDAD

El Código Maestro es necesario cuando se crean los Códigos de entrada o se hacen cambios de programación en EL1SS.

Ingrese # # # en el control de la unidad.

Ingrese el **Código Maestro** de cuatro dígitos. *Ejemplo: 1 2 3 4*

Si se acepta Código Maestro, la unidad responderá con un pitido de doble tono. Si no se acepta, la unidad responderá con tres pitidos cortos de tono bajo.



Anote el Código Maestro y guárdelo en un lugar seguro. Vea la página 18.

**NOTA:** El asterisco (\*) actúa como comando de cancelación que finalizará cualquier llamado, programación o secuencia de teclas del código de acceso.

## PRUEBA DE LOS RELÉS DEL PORTÓN/DE LA PUERTA

### PRUEBA DEL RELÉ 1

Ingrese el **Código Maestro** de 4 dígitos + 1  
La tecla “1” indica el relé que se debe activar.

**NOTA:** El indicador LED del estado del relé 1 se iluminará (azul) para mostrar actividad cuando está activado.

### PRUEBA DEL RELÉ 2

Ingrese el **Código Maestro** de 4 dígitos + 2  
La tecla “2” indica el relé que se debe activar.

**NOTA:** El indicador LED del estado del relé 2 se iluminará (azul) para mostrar actividad cuando está activado.

## PRUEBA DE LAS CONEXIONES TELEFÓNICAS

1. Realice un llamado telefónico desde el teléfono del residente para verificar que esté operando correctamente; luego, cuelgue el teléfono.

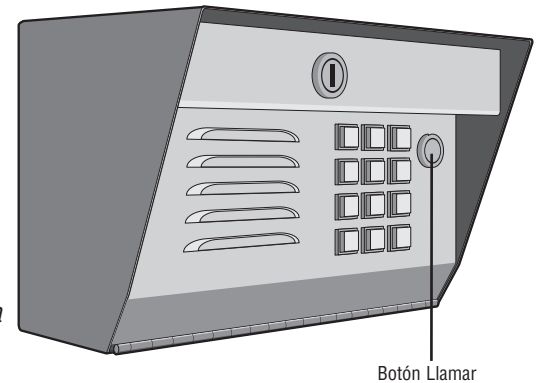
**NOTA:** Para verificar el funcionamiento de audio y de los tonos de autorización, mantener el teléfono a una distancia de al menos 3 m (10 pies) del EL1SS durante la prueba.

2. Programar el EL1SS para modo de telefonía (Telco) o intercomunicador según la aplicación.

3. Oprima la tecla “Llamar” en el control de la unidad. El teléfono de la residencia debe sonar.

**NOTA:** Después de que se oprime el botón “Llamar” (call), el indicador LED de “Estado” (status) que se encuentra en la tarjeta del procesador parpadeará durante la transmisión.

4. Para probar el relé 1 pulsar el botón de “Llamada” (call) para que alguien responda al teléfono y marque “\*9” (asterisco + 9). El EL1SS desconectará el llamado tan pronto como se active el relé. Para probar el relé 2, pídale a alguien que conteste el teléfono e ingrese “\*5” (asterisco + 5). EL1SS desconectará el llamado tan pronto como se active el relé.



## OPERACIÓN

EL1SS requiere un **Código Maestro** (ver página 12) para configurar funciones y configuraciones básicas. Use la tecla ASTERISCO “\*” para cancelar cualquier dato ingresado. Cuando se está configurando la unidad, se escucharán determinados tonos (ver el gráfico abajo). Los comandos de teclado deben ingresarse en una sola cadena para que sean satisfactorios (lo que se indica con un pitido de doble tono). Si se detiene y sigue tecleando dará un tono negativo (tres pitidos cortos de tono bajo).

Tres pitidos cortos de tono bajo	Falla
Pitido de doble tono	Se ingresó un código válido
Tres pitidos cortos de tono bajo	Se ingresó un código no válido o erróneo

## USO DE LOS CÓDIGOS DE ENTRADA

Los **Códigos de entrada** permiten que los residentes activen un dispositivo de entrada conectado a un relé (Relé 1 o Relé 2). Existen dos tipos de códigos de entrada disponibles en este sistema. Un **Código estándar de 4 dígitos ÚNICAMENTE** dispara el relé (1 o 2) el código ha sido asignado. Un **Código de uso especial de 5 dígitos** (Código de 4 dígitos + 1 o 2) dispara el correspondiente relé que iguala al último dígito ingresado. La elección entre el **Código estándar de 4 dígitos** o el **Código de uso especial de 5 dígitos** depende de la aplicación, el código estándar de 4 dígitos maximiza la capacidad de la memoria para los sistemas que controlan dos puntos de acceso para un gran número de usuarios. El código de uso especial de 5 dígitos brinda acceso asegurado personalizado para dos puntos de acceso independientes (ver el gráfico de abajo).

Código estándar de 4 dígitos	<b>Código de entrada</b> (4 dígitos)	Activa el relé asignado previamente cuando se creó el código.
Código de uso especial de 5 dígitos (Relé 1)	<b>Código de entrada</b> (4 dígitos) + 1	Activa el relé 1
Código de uso especial de 5 dígitos (Relé 2)	<b>Código de entrada</b> (4 dígitos) + 2	Activa el relé 2

## RESPUESTA A LLAMADAS DESDE EL EL1SS

Cuando el teléfono de la casa recibe una llamada desde el EL1SS, responda la llamada y presione 0 para iniciar el audio y hablar con el visitante. Para denegar acceso a la persona que llama a la propiedad, cuelgue. Para extender el tiempo de conversación, presione 0 o continúe hablando.

## DAR ACCESO

Pulse \* 9 para autorizar la entrada vía el portón conectado al relé 1. La llamada se cortará.

0 Pulse \* 5 para autorizar la entrada vía el portón conectado al relé 2. La llamada se cortará.

## INSTALADOR – PROGRAMACIÓN DEL SISTEMA USANDO EL TECLADO

En las siguientes páginas se presentan las instrucciones de las opciones de programación del EL1SS mediante el teclado. Los siguientes pasos de programación son para el programador durante la instalación inicial (podrían aplicarse ocasionalmente al usuario/residente). Las opciones de programación de las páginas 15 a 17 se aplican tanto al programador como al usuario/residente. El **código maestro** de la unidad es para los comandos de nivel propietario/administrador y se utiliza al comienzo de toda la programación.

### TIEMPOS PARA ENTRADAS DE PROGRAMACIÓN

La programación que comienza con la entrada del **código maestro** requiere que la cadena de dígitos se ingrese **sin hacer ninguna pausa** entre el código maestro y el paso de programación (El código maestro tiene una funcionalidad doble; también actúa como un código de entrada cuando se ingresa por sí solo).

NÚMERO DE PROGRAMACIÓN	DESCRIPCIÓN DE LA FUNCIÓN O CONFIGURACIÓN	PASOS DE PROGRAMACIÓN	
<b>03</b>	<b>ACCIONAR EL MODO INTERFÓN (SIN TELCO)</b> Configuración de fábrica: Desactivado El modo Intercom permite la comunicación entre la unidad y un teléfono de residente sin una línea telefónica (el sistema genera su propia señal).	<b>Código Maestro</b> (4 dígitos) + <b>03</b>	
<b>04</b>	<b>ACCIONAR EL MODO PARA TELCO (NO EL INTERCOMUNICADOR)</b> Configuración de fábrica: Accionado El modo Telco utiliza la línea telefónica de la residencia para las comunicaciones de la unidad con el o los teléfonos del residente y/o para marcar al número de teléfono transferido.	<b>Código Maestro</b> (4 dígitos) + <b>04</b>	
<b>06</b>	<b>VOLUMEN DEL ALTAVOZ</b> Configuración de fábrica: Nivel 2 Permite al visitante escuchar al residente en la unidad; <b>1</b> = bajo, <b>2</b> = medio, <b>3</b> = alto Para lograr un ajuste correcto en condiciones típicas (dentro de un automóvil en funcionamiento estacionado), pida al residente que hable en un tono normal. Ajuste hacia arriba o abajo, según sea necesario.	<b>Código Maestro</b> (4 dígitos) + <b>06</b> + nivel de volumen ( <b>1</b> = bajo, <b>2</b> = medio, <b>3</b> = alto)	
<b>07</b>	<b>SENSIBILIDAD DEL MICRÓFONO</b> Configuración de fábrica: Nivel 2 Permite al residente escuchar al visitante en la unidad; <b>1</b> = bajo, <b>2</b> = medio, <b>3</b> = alto Para lograr un ajuste correcto en condiciones típicas (dentro de un automóvil en funcionamiento estacionado y utilizando un tono de voz normal), pregunte al residente si el audio es correcto. Ajuste hacia arriba o abajo, según sea necesario.	<b>Código Maestro</b> (4 dígitos) + <b>07</b> + nivel de volumen ( <b>1</b> = bajo, <b>2</b> = medio, <b>3</b> = alto)	
<b>09</b>	<b>CAMBIAR EL CÓDIGO MAESTRO</b> <i>Anote el código maestro y guárdelo en un lugar seguro.</i>	<b>Código Maestro</b> (4 dígitos) + <b>09</b> + # # # + <b>Nuevo Código Maestro</b> (4 dígitos)	
<b>CONFIGURACIÓN DE SALIDAS</b>	<b>021</b>	<b>ACCIONAR LA SALIDA DE RELÉ PARALELA</b> Configuración de fábrica: Desactivado	<b>Código Maestro</b> (4 dígitos) + <b>021</b>
	<b>023</b>	<b>ACCIONAR EL CONTROL DE SALIDA DE RELÉ INDEPENDIENTE</b> Configuración de fábrica: Accionado	<b>Código Maestro</b> (4 dígitos) + <b>023</b>
<b>024</b>	<b>AJUSTAR EL TIEMPO DE SALIDA DEL RELÉ (RELÉ 1)</b> Configuración de fábrica: 0.5 segundos La cantidad de tiempo (en segundos) que el relé permanece activo.	<b>Código Maestro</b> (4 dígitos) + <b>024</b> + tiempo de salida del relé ( <b>0000-8000</b> segundos*) <b>NOTA:</b> El tiempo de salida del relé es SIEMPRE de 4 dígitos.	
<b>025</b>	<b>AJUSTAR EL TIEMPO DE SALIDA DEL RELÉ (RELÉ 2)</b> Configuración de fábrica: 0.5 segundos La cantidad de tiempo (en segundos) que el relé permanece activo.	<b>Código Maestro</b> (4 dígitos) + <b>025</b> + tiempo de salida del relé ( <b>0000-8000</b> segundos*) <b>NOTA:</b> El tiempo de salida del relé es SIEMPRE de 4 dígitos.	

\*Ejemplo: **0000** = 0.5 segundos (Mínimo) **0010** = 10 segundos **8000** = 8,000 segundos (2 horas y 13 minutos, máximo)



## PROGRAMACIÓN DEL SISTEMA ADICIONAL USANDO EL TECLADO

NÚMERO DE PROGRAMACIÓN	DESCRIPCIÓN DE LA FUNCIÓN O CONFIGURACIÓN	PASOS DE PROGRAMACIÓN
7	<b>BORRAR UN CÓDIGO DE ENTRADA</b>	<b>Código Maestro</b> (4 dígitos) + <b>7</b> + <b>Código de entrada a borrar</b> (4 dígitos)
9	<b>CREAR UN CÓDIGO DE ENTRADA DE 4 DÍGITOS</b> <b>NOTAS:</b> • El código de entrada no puede ser el mismo que el código maestro. • Un código de entrada de 4 dígitos controla 1 relé inmediatamente a la entrada.	<b>Código Maestro</b> (4 dígitos) + <b>9</b> + <b>Código nuevo de entrada</b> (4 dígitos) + <b>1 o 2</b> (Relé que será asignado previamente a este código de entrada). <i>Espera a escuchar la confirmación del sistema.</i>
	<b>CREAR UN CÓDIGO DE ENTRADA DE 5 DÍGITOS</b> <b>NOTAS:</b> • El código de entrada no puede ser el mismo que el código maestro. • Un código de entrada de 5 dígitos controla cualquiera de las puertas seleccionables en el tiempo de entrada. Último dígito = 1 abre la puerta 1 Último dígito = 2 abre la puerta 2	<b>Código Maestro</b> (4 dígitos) + <b>9</b> + <b>Código nuevo de entrada</b> (4 dígitos) <i>El residente deberá ingresar Código de entrada + 1 o 2 (Relé asociado con el dispositivo de entrada que el residente desea activar).</i> <b>NOTA:</b> Si no se presiona ningún botón para el relé, ambos relés se activarán simultáneamente, a menos que se habilite un control de salida de relé independiente.
51	<b>CREAR CÓDIGO DE ENTRADA TEMPORAL (UNA VEZ)</b> El EL1SS retiene 1 código temporal de entrada. <b>NOTA:</b> El código de entrada no puede ser el mismo que el código maestro.	<b>Código Maestro</b> (4 dígitos) + <b>51</b> + <b>Código temporal nuevo</b> (una vez) <b>Código de entrada</b> (4 dígitos) + <b>1 o 2</b> (El relé asociado con el dispositivo de entrada que el residente desea activar) o no se presionó ningún botón. <b>NOTA:</b> Si no se presiona ningún botón para el relé, ambos relés se activarán simultáneamente, a menos que se habilite un control de salida de relé independiente. Expira en 24 horas o después del primer uso.
52	<b>ACCIONAR EL MODO VACACIONES (CIERRE)</b> Configuración de fábrica: Desactivado Bloquea el sistema contra la entrada de todos los códigos.	<b>Código Maestro</b> (4 dígitos) + <b>52</b>
53	<b>CANCELAR EL MODO VACACIONES (CIERRE)</b>	<b>Código Maestro</b> (4 dígitos) + <b>53</b>
54	<b>CONECTAR EL MODO FIESTA (RELÉ 1)</b> Configuración de fábrica: Desactivado El Modo Party enganchará al relé 1.	<b>Código Maestro</b> (4 dígitos) + <b>54</b> Para cancelar el modo fiesta: Ingrese un <b>Código de entrada</b> válido en el control del EL1SS o ingrese “*9” en el teléfono local.
56	<b>CONECTAR EL MODO FIESTA (RELÉ 2)</b> Configuración de fábrica: Desactivado El Modo Party enganchará al relé 2. <b>NOTA:</b> La configuración de salida debe ser Control de relé independiente (predeterminado) para conectar al Modo Party en el relé 2.	<b>Código Maestro</b> (4 dígitos) + <b>56</b> Para cancelar el modo fiesta: Ingrese un <b>Código de entrada</b> válido en el control del EL1SS o ingrese “*5” en el teléfono local.



## RESIDENTE – PROGRAMACIÓN DEL SISTEMA USANDO EL TELÉFONO DE LA CASA

Un teléfono de la casa es un teléfono con una conexión de cableado real con el sistema EL1SS. Consulte las instrucciones de desvíos de llamadas en la página 17.

NÚMERO DE PROGRAMACIÓN	DESCRIPCIÓN DE LA FUNCIÓN O CONFIGURACIÓN	PASOS DE PROGRAMACIÓN
<b>**01</b>	<b>EACCIONAR EL DESVÍO DE LLAMADOS</b> Configuración de fábrica: Desactivado <i>NOTA: Esta configuración requiere que el sistema esté conectado con la línea telefónica de la residencia y que esté habilitado el modo Telco (ver la página 14).</i>	<b>**01</b>
<b>**02</b>	<b>CANCELAR EL DESVÍO DE LLAMADOS</b>	<b>**02</b>
<b>**03</b>	<b>ACCIONAR EL MODO INTERFÓN</b> Configuración de fábrica: Desactivado	<b>**03</b>
<b>**06</b>	<b>VERIFICAR EL NÚMERO PARA DESVÍO DE LLAMADOS (POR MEDIO DEL IDENTIFICADOR DE LLAMADOS)</b> Configuración de fábrica: Desactivado	<b>**06</b> Cuelgue el teléfono. Espere hasta que suene.
<b>**07</b>	<b>ACCIONAR EL MODO TELCO</b> Configuración de fábrica: Accionado	<b>**07</b>
<b>**#8</b>	<b>BORRAR EL NÚMERO PARA DESVÍO DE LLAMADOS</b> <i>NOTA: Este comando también desactivará el modo de llamada de reenvío.</i>	<b>**#8</b>
<b>**10</b>	<b>AJUSTAR LA CANTIDAD DE TIMBRES HASTA “ATENDER”</b> Configuración de fábrica: 5	<b>**10</b> + cantidad de timbres <b>2 a 5</b>
<b>**13</b>	<b>ACCIONAR LA PROGRAMACIÓN POR MULTIFRECUENCIA DE DOBLE TONO (DUAL TONE MULTI-FREQUENCY, DTMF) ALTERNATIVA</b> Esta característica cambia los primeros dígitos de programación de ** a ## (y *# a #*) para trabajar alrededor de líneas telefónicas (o equipos telefónicos) que reaccionen al tono *. Configuración de fábrica: Desactivado <i>NOTA: La línea telefónica debería estar desconectada mientras se ingresa este comando.</i>	<b>**13</b>
<b>**14</b>	<b>ACCIONAR EL TONO DE TIMBRE ESTÁNDAR (LARGO)</b> Configuración de fábrica: Accionado	<b>**14</b>
<b>**15</b>	<b>ACCIONAR EL TONO ALTERNATIVO DE TIMBRE (DOBLE) (PREDETERMINADO)</b> Configuración de fábrica: Accionado <i>NOTA: La función de suplente tono de llamada no funcione con todos los teléfonos.</i>	<b>**15</b>
<b>#*16</b>	<b>CANCELAR LA PROGRAMACIÓN POR DTMF ALTERNATIVA</b>	<b>#*16</b>
<b>*# Número de teléfono para desvío de llamadas #</b>	<b>INGRESAR EL NÚMERO DE TELÉFONO PARA DESVÍO DE LLAMADOS</b>	<b>*# + Número de teléfono</b> (hasta 14 dígitos) + #

**RESIDENTE – COMANDOS DIRECTOS USANDO EL TELÉFONO DE LA CASA**

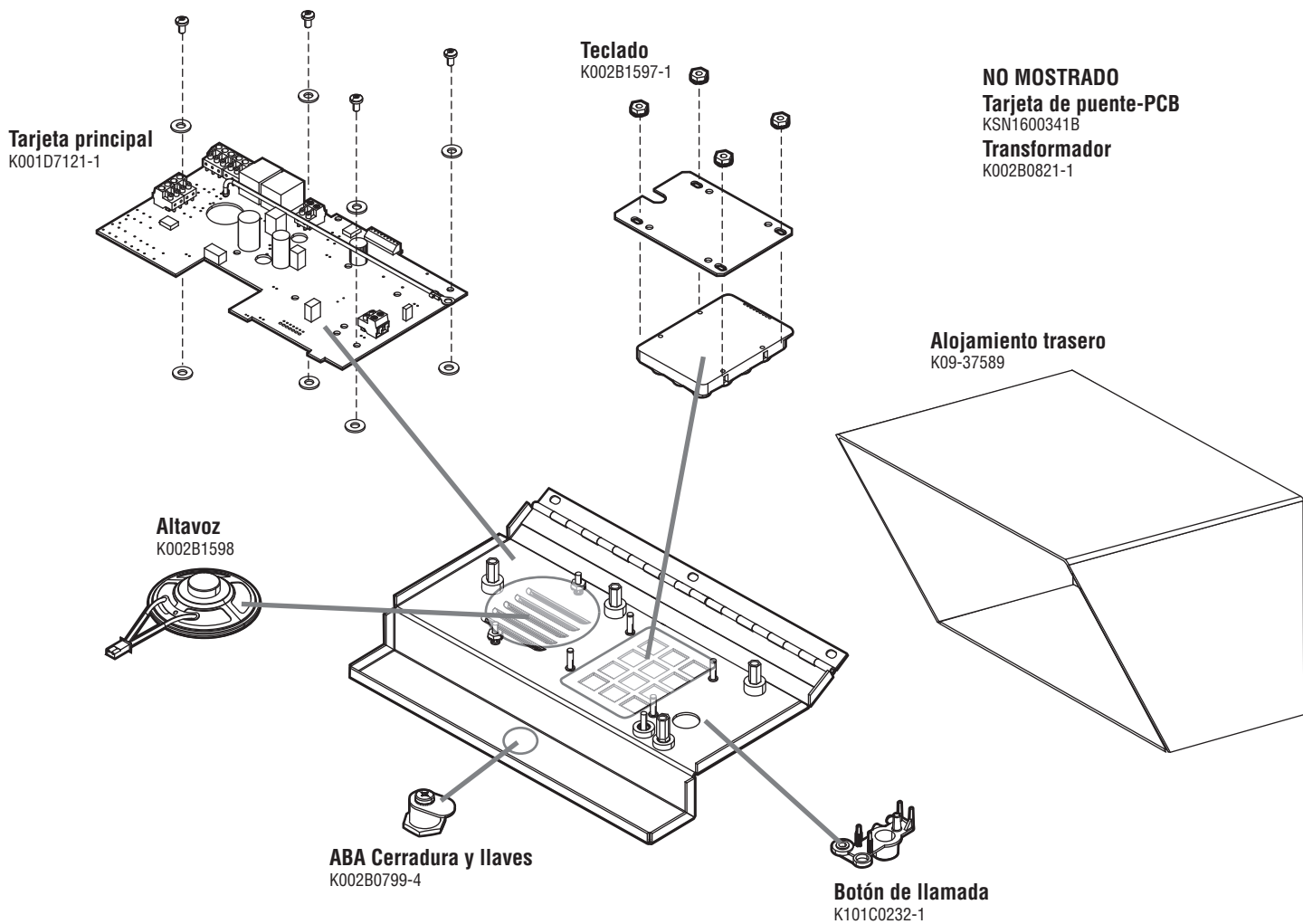
NÚMERO DE PROGRAMACIÓN	DESCRIPCIÓN DE LA FUNCIÓN O CONFIGURACIÓN	PASOS DE PROGRAMACIÓN
<b>**04</b>	<b>ACCIONAR EL MODO FIESTA (TRABADO) RELÉ 1</b> El modo Party enganchará al relé y mantendrá al dispositivo de entrada abierto para permitir acceso para invitados a la propiedad. Para cancelar el modo fiesta: Ingrese “*9” en el teléfono local.	<b>**04</b>
<b>**05</b>	<b>CANCELAR EL MODO FIESTA (TRABADO) RELÉ 2</b> Para cancelar el modo fiesta: Ingrese “*5” en el teléfono local.	<b>**05</b>
<b>*5</b>	<b>ACTIVA EL RELÉ 2</b>	<b>*5</b>
<b>*9</b>	<b>ACTIVA EL RELÉ 1</b>	<b>*9</b>
<b>**11</b>	<b>ACCIONAR EL MODO “NO MOLESTAR”</b> Este modo desactiva las llamadas desde el sistema hasta la casa o al teléfono transferido. Configuración de fábrica: Desactivado	<b>**11</b>
<b>**12</b>	<b>CANCELAR EL MODO “NO MOLESTAR”</b>	<b>**12</b>

**RESIDENTE – COMANDOS DIRECTOS USANDO UN TELÉFONO TRANSFERIDO**

NÚMERO DE PROGRAMACIÓN	DESCRIPCIÓN DE LA FUNCIÓN O CONFIGURACIÓN	PASOS DE PROGRAMACIÓN
<b>0</b>	Al ingresar <b>0</b> , se inicia el audio para que el residente tenga una conversación telefónica con el visitante (también ampliar el tiempo de conversación).	<b>0</b>
<b>*5</b>	<b>ACTIVA EL RELÉ 2</b>	<b>*5</b>
<b>*9</b>	<b>ACTIVA EL RELÉ 1</b>	<b>*9</b>
	<b>LLAMADA EN ESPERA (PARA TELÉFONOS FIJOS)</b> Presione “Flash” una vez para responder al invitado, presione otra vez para regresar a llamada externa en la línea Telco, si no se presiona *9 o *5 . Si *9 (relé 1) o *5 (relé 2) se pulsa, el EL1SS volverá automáticamente a la línea de Telco.	

# PARTES DE REPUESTO

NUMERO DE PARTE	DESCRIPCIÓN
KSN1600341B	Tarjeta de puente
K002B0821-1	Transformador de 16.5 VCC, 2.5 A
K002B1597-1	Teclado
K001D7121-1	Tarjeta principal
K002B1598	Altavoz
K002B0799-4	Cerradura y llaves
K101C0232-1	Botón de llamada
K09-37589	Alojamiento trasero



## CÓDIGO MAESTRO EL1SS

Anote el Código Maestro y guárdelo en un lugar seguro.

--	--	--	--

# GARANTÍA

LiftMaster (el "Vendedor") garantiza al primer comprador de este producto, para la construcción en que este producto se instale originalmente, que está libre de defectos de materiales y de mano de obra, por un período de dos años a partir de la fecha de compra.

La operación correcta de este producto depende de su acatamiento de las instrucciones referentes a la instalación, operación, mantenimiento y prueba. El no obedecer estrictamente estas instrucciones anulará por completo esta garantía limitada.

Si durante el período de garantía limitada parece que este producto tiene un defecto que está cubierto por esta garantía limitada, antes de desmantelar este producto, comuníquese al 1-800-528-2806. A continuación, envíe este producto por correo asegurado y con el porte pagado a nuestro centro de servicio, con el fin de realizar el reemplazo cubierto por la garantía. Los productos devueltos al Vendedor para el reemplazo cubierto por la garantía, los cuales, una vez recibidos por el Vendedor, se confirme que sean defectuosos y que estén cubiertos por esta garantía limitada, serán reemplazados (a opción única del Vendedor) sin costo para usted y serán devueltos con el porte pagado. Los componentes defectuosos serán reemplazados a opción única del Vendedor con componentes nuevos o reconstruidos de fábrica.

ESTA GARANTÍA LIMITADA SUSTITUYE A CUALQUIER OTRA GARANTÍA EXPRESA O IMPLÍCITA, INCLUIDA CUALQUIER GARANTÍA IMPLÍCITA DE COMERCIABILIDAD O DE ADECUACIÓN PARA UN PROPÓSITO PARTICULAR, O DE CUALQUIER OTRA ÍNDOLE, ADEMÁS DE CUALQUIER OTRA OBLIGACIÓN O RESPONSABILIDAD POR PARTE DEL VENDEDOR. ESTA GARANTÍA LIMITADA NO CUBRE LOS DAÑOS NO RELACIONADOS CON DEFECTOS; LOS DAÑOS CAUSADOS POR INSTALACIÓN, OPERACIÓN O CUIDADOS INADECUADOS (INCLUIDOS, A MODO DE EJEMPLO, EL ABUSO, EL MAL USO, LA FALTA DE MANTENIMIENTO RAZONABLE Y NECESARIO, LAS REPARACIONES NO AUTORIZADAS O CUALQUIER ALTERACIÓN DE ESTE PRODUCTO); LOS CARGOS DE MANO DE OBRA POR VOLVER A INSTALAR UNA UNIDAD REPARADA O REEMPLAZADA; LOS PROBLEMAS RELACIONADOS CON INTERFERENCIAS NI EL REEMPLAZO DE BATERÍAS.

BAJO NINGUNA CIRCUNSTANCIA EL VENDEDOR SERÁ RESPONSABLE DE DAÑOS INDIRECTOS, INCIDENTALES O ESPECIALES QUE SURJAN EN RELACIÓN CON EL USO O LA IMPOSIBILIDAD DE USO DE ESTE PRODUCTO. LA RESPONSABILIDAD DEL VENDEDOR POR VIOLACIÓN DE LA GARANTÍA, POR VIOLACIÓN DEL CONTRATO, NEGLIGENCIA O RESPONSABILIDAD ERICTA, EN NINGÚN CASO EXCEDERÁ EL COSTO DEL PRODUCTO CUBIERTO POR LA PRESENTE. NINGUNA PERSONA ESTÁ AUTORIZADA A ASUMIR POR NOSOTROS NINGUNA OTRA RESPONSABILIDAD POR LA VENTA DE ESTE PRODUCTO.

Algunos estados no permiten la exclusión o limitación de daños indirectos, incidentales o especiales, de manera que es posible que la anterior limitación o exclusión no se aplique en su caso. Esta garantía limitada le proporciona derechos legales específicos y, además, es posible que usted tenga otros derechos, que varían de un estado a otro.

**PARA OBTENER SOPORTE TÉCNICO LLAME A NUESTRO NÚMERO SIN COSTO:  
1-800-528-2806**

**LiftMaster.com**

AVISO: Para cumplir con las reglas de la FCC y/o de Canadá (IC), ajustes o modificaciones de este receptor y/o transmisor están prohibidos, excepto por el cambio de la graduación del código o el reemplazo de la pila. NO HAY OTRAS PIEZAS REPARABLES DEL USUARIO.

Se ha probado para cumplir con las normas de la FCC para USO DEL HOGAR O DE LA OFICINA. La operación está sujeta a las dos condiciones siguientes: (1) este dispositivo no puede causar interferencia perjudicial, y (2) este dispositivo debe aceptar cualquier interferencia recibida, incluyendo la interferencia que puede causar una operación no deseable.

Este documento se encuentra protegido por derechos de autor y no podrá copiarse ni adaptarse sin el consentimiento previo por escrito de LiftMaster. Estos documentos contienen información de propiedad exclusiva de LiftMaster, y dicha información no podrá distribuirse sin el consentimiento previo por escrito de LiftMaster. Dado que el software y el firmware incluidos en este producto de LiftMaster se relacionan con estos documentos, también están protegidos por derechos de autor y contienen información de propiedad exclusiva de LiftMaster.