

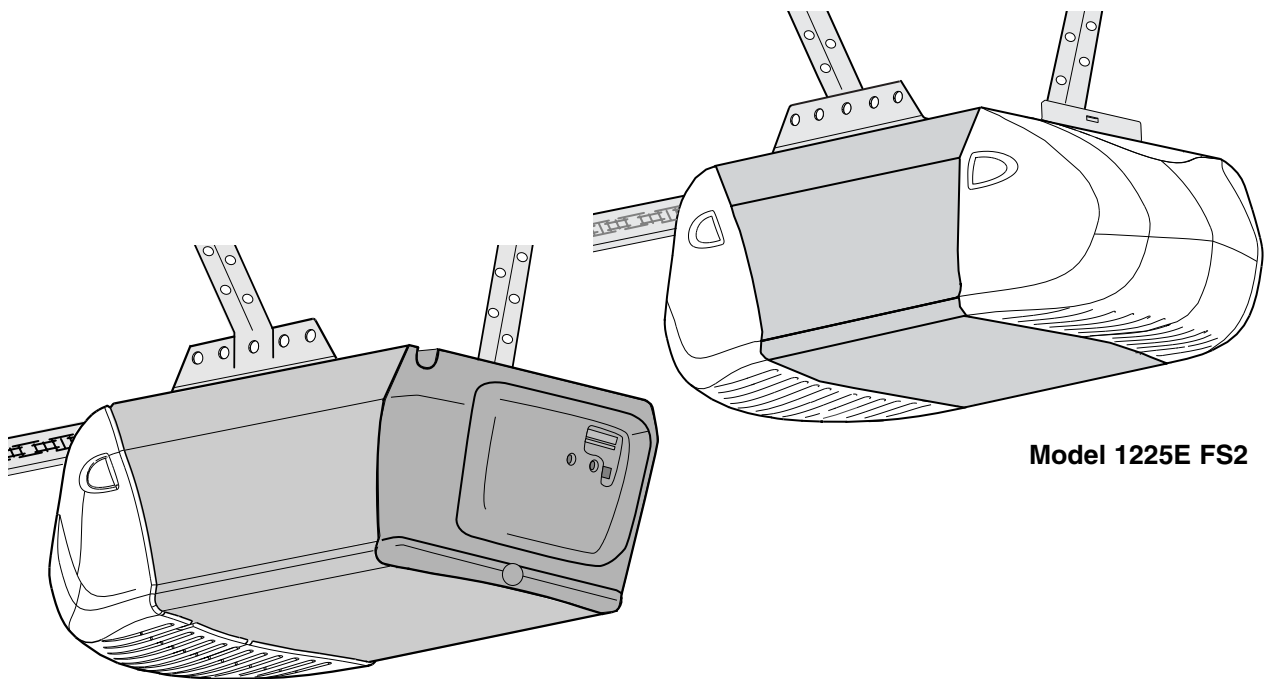
CHAMBERLAIN®

LiftMaster®
PROFESSIONAL

The Chamberlain Group, Inc.
845 Larch Avenue
Elmhurst, Illinois 60126-1196

SECURITY+® GARAGE DOOR OPENER

For Residential Use Only



Model 1215E FS2

Model 1225E FS2

Owner's Manual

- Please read this manual and the enclosed safety materials carefully!
- Fasten the manual near the garage door after installation.
- Periodic checks of the opener are required to ensure safe operation.
- The model number label is located on the front panel of your opener.

TABLE OF CONTENTS

Introduction	2-8	Adjustment	29-31
Safety symbol and signal word review	2	Adjust the travel limits	29
Preparing your garage door	3	Adjust the force	30
Tools needed	3	Test the safety reversal system.....	31
Planning	4-6	Operation	32-35
Carton inventory	7	Operation safety instructions	32
Hardware inventory	8	Using your garage door opener	32
Assembly	9-15	Using the wall-mounted door control	33
Assemble rail & attach the pulley bracket.....	9-10	To open the door manually	33
Install the trolley.....	11	Care of your garage door opener	34
Fasten the rail to the motor unit.....	12	Having a problem?.....	34-35
Install the chain and sprocket cover	13-14	Programming	36-37
Tighten the chain.....	15	To add or reprogram a hand-held remote control	36
Installation	15-28	To erase all codes	36
Installation safety instructions	15	3-Button remote controls.....	36
Determine the header bracket location.....	16-17	To add, reprogram or change	
Install the header bracket.....	18	a Keyless Entry PIN	37
Attach the rail to the header bracket.....	19	Repair Parts	38
Position the opener	20	Accessories	39
Hang the opener	21	Service Numbers	40
Install the door control.....	22	Warranty	40
Install the lights	23		
Attach the emergency release rope and handle	23		
Electrical requirements.....	24		
Fasten the door bracket	25-26		
Connect the door arm to the trolley	27-28		

INTRODUCTION

Safety Symbol and Signal Word Review

This garage door opener has been designed and tested to offer safe service provided it is installed, operated, maintained and tested in strict accordance with the instructions and warnings contained in this manual.

⚠ WARNING

Mechanical

⚡ WARNING

Electrical

CAUTION

When you see these Safety Symbols and Signal Words on the following pages, they will alert you to the possibility of **serious injury or death** if you do not comply with the warnings that accompany them. The hazard may come from something mechanical or from electric shock. Read the warnings carefully.

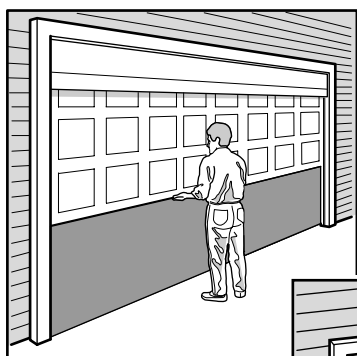
When you see this Signal Word on the following pages, it will alert you to the possibility of damage to your garage door and/or the garage door opener if you do not comply with the cautionary statements that accompany it. Read them carefully.

Preparing your garage door

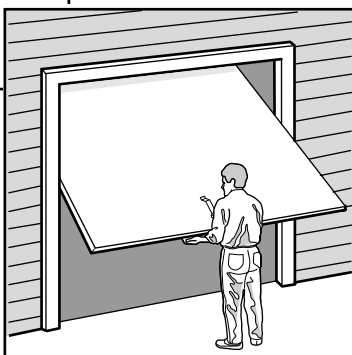
Before you begin:

- Disable locks.
- Remove any ropes connected to garage door.
- **Complete the following test** to make sure your garage door is balanced and is not sticking or binding:
 1. Lift the door about halfway as shown. Release the door. If balanced, it should stay in place, supported entirely by its springs.
 2. Raise and lower the door to see if there is any binding or sticking.

If your door binds, sticks, or is out of balance, call a trained door systems technician.



Sectional Door



One-Piece Door

⚠ WARNING

To prevent possible **SERIOUS INJURY OR DEATH**:

- **ALWAYS** call a trained door systems technician if garage door binds, sticks, or is out of balance. An unbalanced garage door may not reverse when required.
- **NEVER** try to loosen, move or adjust garage door, door springs, cables, pulleys, brackets or their hardware, all of which are under **EXTREME** tension.
- Disable **ALL** locks and remove **ALL** ropes connected to garage door **BEFORE** installing and operating garage door opener to avoid entanglement.

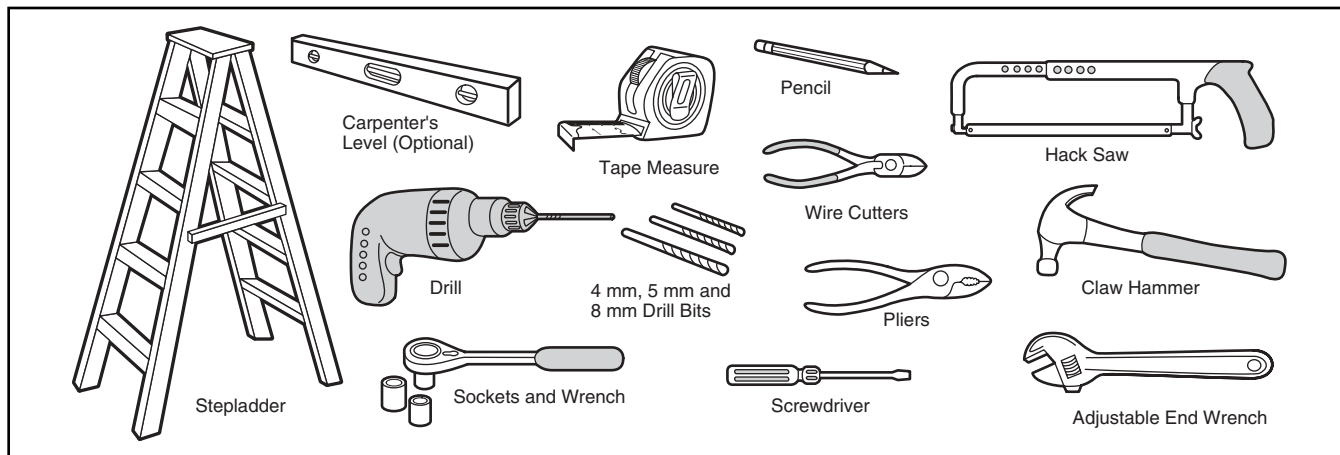
CAUTION

To prevent damage to garage door and opener:

- **ALWAYS** disable locks **BEFORE** installing and operating the opener.
- **ONLY** operate garage door opener at 120V, 60 Hz to avoid malfunction and damage.

Tools needed

During assembly, installation and adjustment of the opener, instructions will call for hand tools as illustrated below.



Planning

Identify the type and height of your garage door. Survey your garage area to see if any of the conditions below apply to your installation. Additional materials may be required. You may find it helpful to refer back to this page and the accompanying illustrations as you proceed with the installation of your opener.

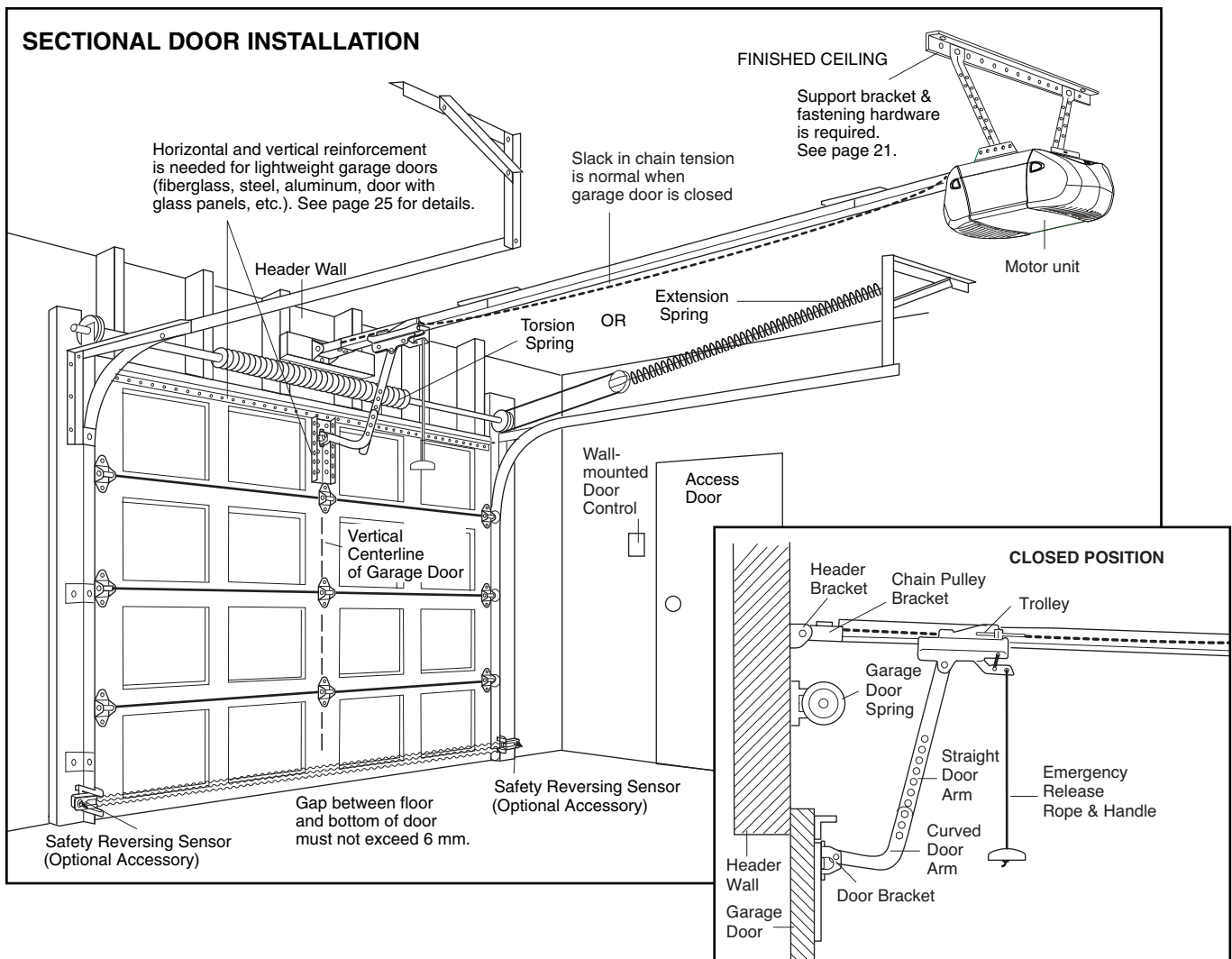
Depending on your requirements, there are several installation steps which may call for materials or hardware not included in the carton.

- Installation Step 1 – Look at the wall or ceiling above the garage door. The header bracket must be securely fastened to structural supports.
- Installation Step 5 – Do you have a finished ceiling in your garage? If so, a support bracket and additional fastening hardware may be required.
- Do you have an access door in addition to the garage door? If not, Model 1702E Outside Quick Release is required. See Accessories page.

- Look at the garage door where it meets the floor. Any gap between the floor and the bottom of the door must not exceed 6 mm. Otherwise, the safety reversal system may not work properly. See Adjustment Step 3. Floor or door should be repaired.

SECTIONAL DOOR INSTALLATIONS

- Do you have a steel, aluminum, fiberglass or glass panel door? If so, horizontal and vertical reinforcement is required (Installation Step 10).
- The opener should be installed above the center of the door. If there is a torsion spring or center bearing plate in the way of the header bracket, it may be installed within 1.2 m to the left or right of the door center. See Installation Steps 1 and 10.



Planning (Continued)

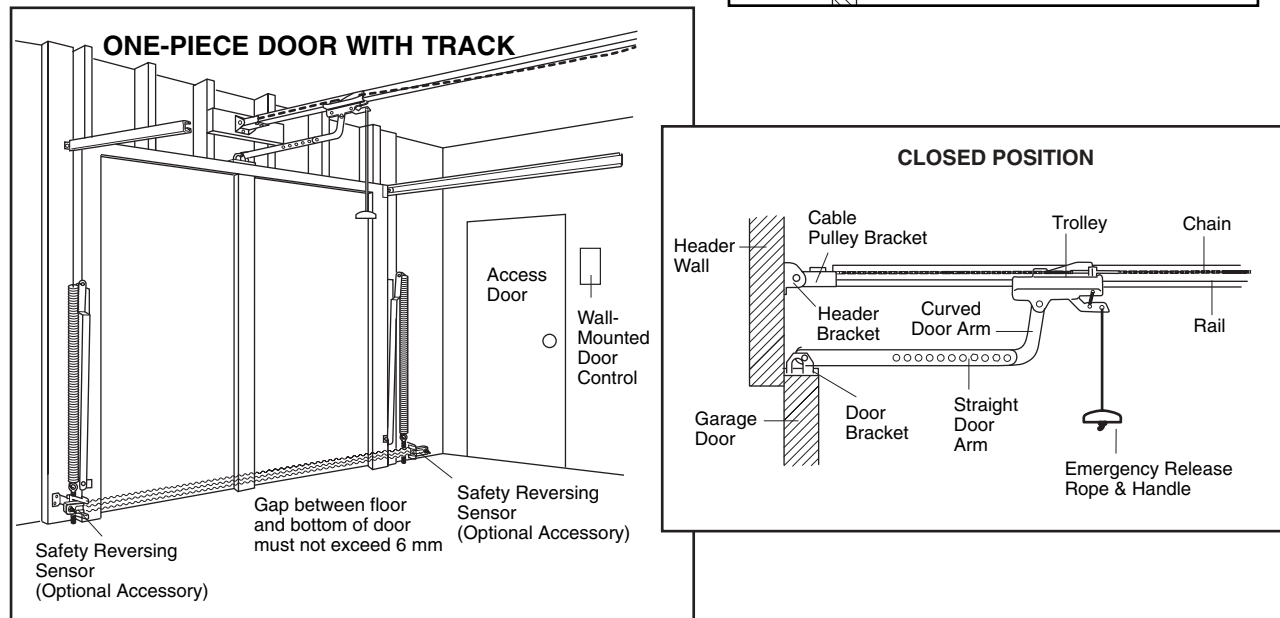
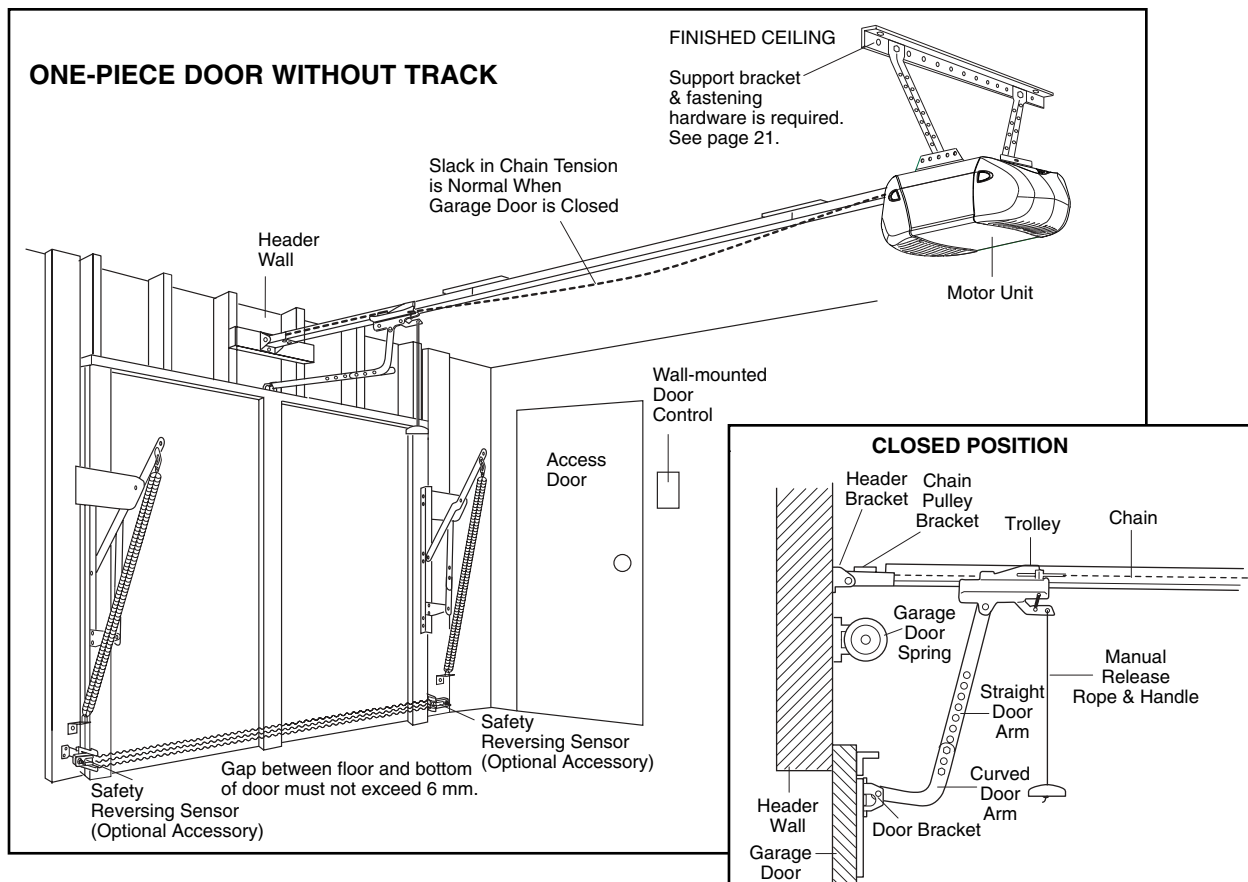
ONE-PIECE DOOR INSTALLATIONS

- Generally, a one-piece door does not require reinforcement. If your door is lightweight, refer to the information relating to sectional doors in Installation Step 10.
- Depending on your door's construction, you may need additional mounting hardware for the door bracket (Step 10).

! WARNING

Without a properly working safety reversal system, persons (particularly small children) could be SERIOUSLY INJURED or KILLED by a closing garage door.

- The gap between the bottom of the garage door and the floor **MUST NOT** exceed 6 mm. Otherwise, the safety reversal system may not work properly.
- The floor or the garage door **MUST** be repaired to eliminate the gap.



Planning (Continued)

GATE INSTALLATIONS

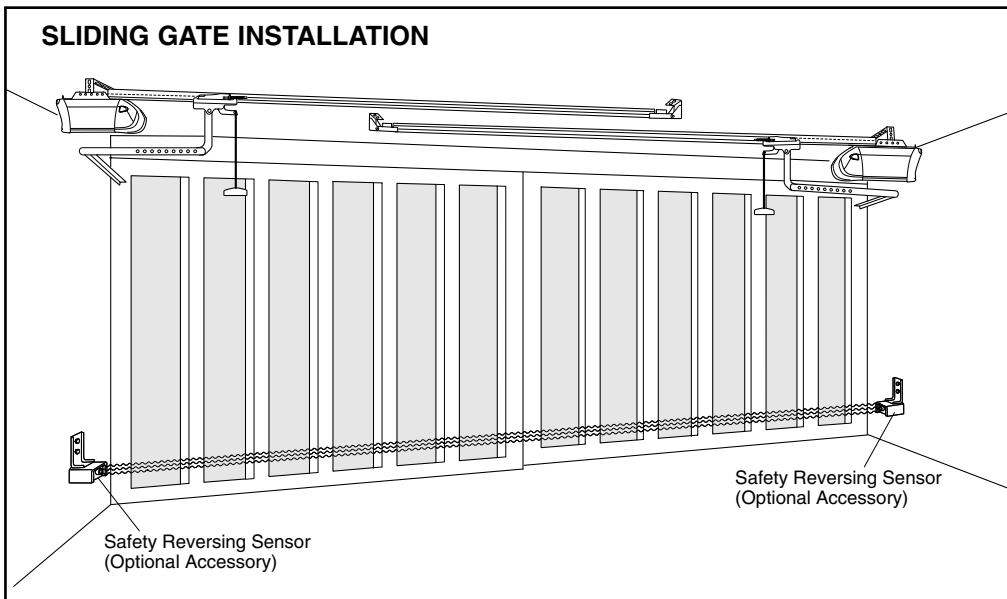
- It is recommended that you attach fine mesh or screening across the inside of swinging or sliding gates in order to prevent intruders from reaching through the bars and releasing the trolley from the door arm or pressing the door control button.
- The opener must be protected from rain and/or moisture.

⚠ WARNING

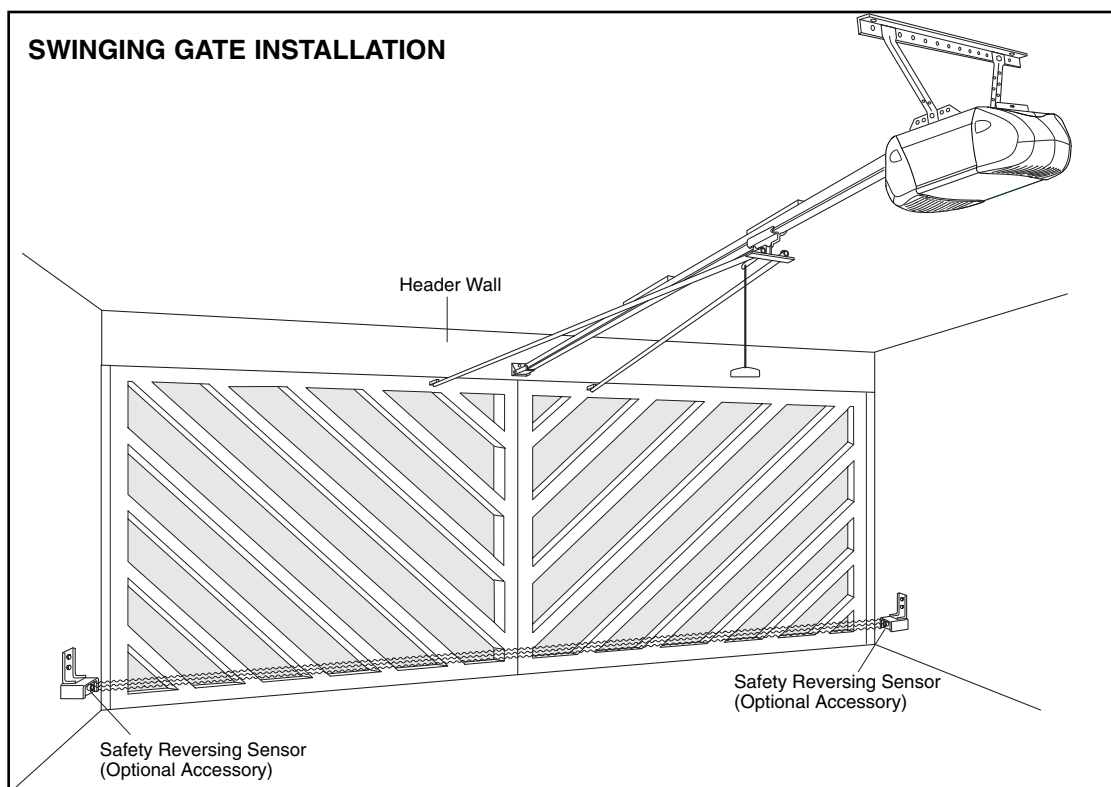
Without a properly working safety reversal system, persons (particularly small children) could be SERIOUSLY INJURED or KILLED by a closing gate.

- Activate gate ONLY when the gate is in full view and free from any obstructions.
- ALWAYS keep gate in sight until completely closed. NEVER permit anyone to cross the path of the moving gate.
- ALWAYS keep gate in good repair and make sure it moves freely. An improperly maintained gate may not reverse when required and could result in SEVERE PERSONAL INJURY or DEATH.

SLIDING GATE INSTALLATION



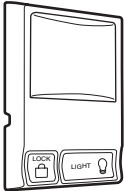

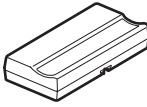
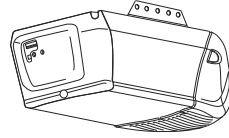
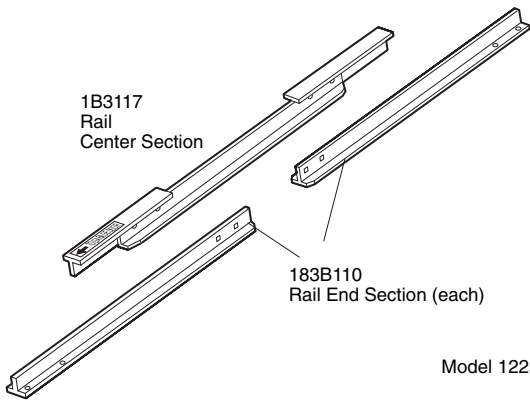
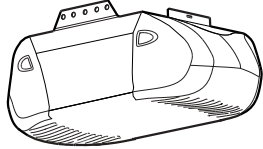
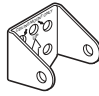
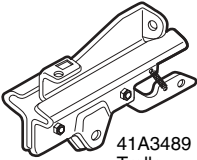

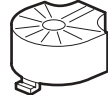
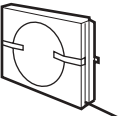
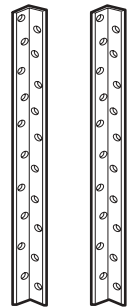
SWINGING GATE INSTALLATION



Carton Inventory

Your garage door opener is packaged in two cartons which contains the motor unit and the parts illustrated below. Note that accessories will depend on the model purchased. If anything is missing, carefully check the packing material.

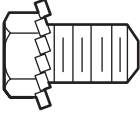
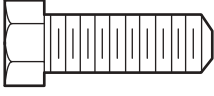

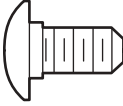
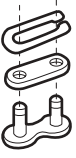
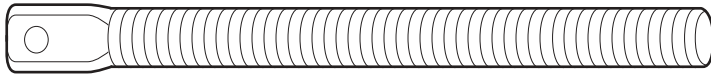


Parts may be stuck in the foam. Hardware for assembly and installation is shown on the next page. Save the carton and packing material until installation and adjustment is complete.

<p>Model 1225E Only</p>  <p>41A5276-14 Multi-Function Door Control</p>	<p>Model 1215E Only</p>  <p>41A5577-1 Lighted Door Control Button</p>	 <p>971-315LM SECURITY+ Single-Button Remote Control Transmitter (2)</p>	<p>Model 1215E</p>  <p>Motor Unit and Light Lens</p>
 <p>1B3117 Rail Center Section</p> <p>183B110 Rail End Section (each)</p>			<p>OR</p> <p>Model 1225E</p>  <p>Motor Unit with 2 Light Lenses</p>
			 <p>41A4353 Header Bracket</p>
 <p>41A3489 Trolley</p>		<p>Model 1225E Only</p>  <p>41A4208 Chain Spreader and Screws</p>	<p>Model 1215E Only</p>  <p>31D380 Sprocket Cover</p>
		 <p>41A3611-2 Chain in Dispensing Carton</p>	
 <p>12B350 Hanging Brackets</p>			

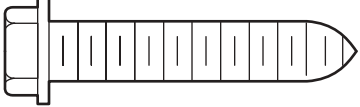
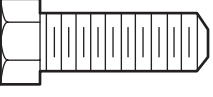



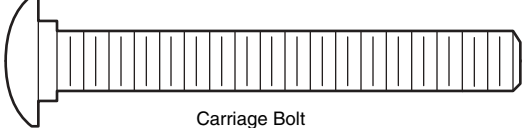
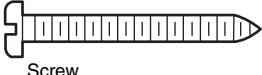

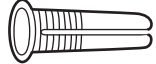
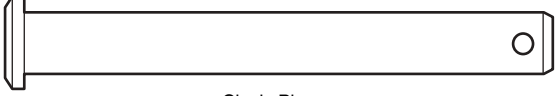
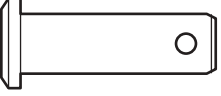


Hardware Inventory

Separate all hardware and group as shown below for the assembly and installation procedures.

Assembly Hardware 41A3534

 Washed Bolt 5/16"-18x1/2" (2) (mounted in opener)	 Hex Bolt 5/16"-18x7/8" (3)	 Nut 5/16"-18 (5)	 Carriage Bolt 1/4"-20x1/2" (12)	 Master Link (2)
 Trolley Threaded Shaft (1)		 Lock Washer 5/16" (4)	 Lock Nut 1/4"-20x7/16" (12)	

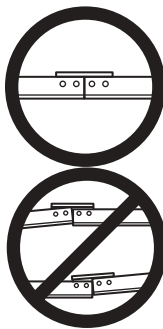
Installation Hardware 41A3535

 Lag Screw 5/16"-9x1-5/8" (4)	 Hex Bolt 5/16"-18x7/8" (4)	 Nut 5/16"-18 (6)	 Lock Washer 5/16" (6)	 Rope
 Carriage Bolt 5/16"-18x2-1/2" (2)	 Screw 6ABx1-1/4" (2)	 Ring Fastener (3)	 Drywall Anchors (2)	
 Clevis Pin 5/16"x2-3/4" (1)	 Clevis Pin 5/16"x1" (2)	 Handle	 Insulated Staples (10)	

ASSEMBLY STEP 1

For Sectional and One-Piece Doors ONLY Assemble the Rail and Attach the Chain Pulley Bracket

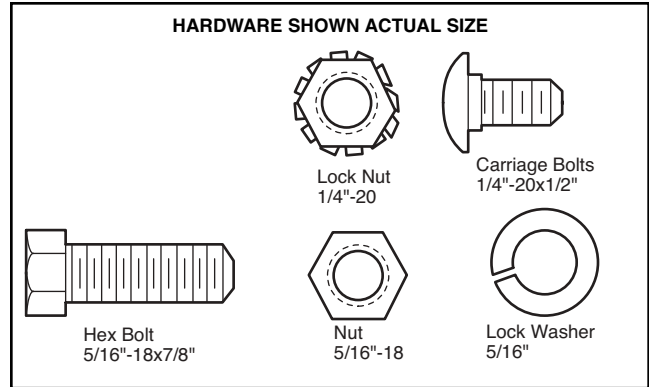
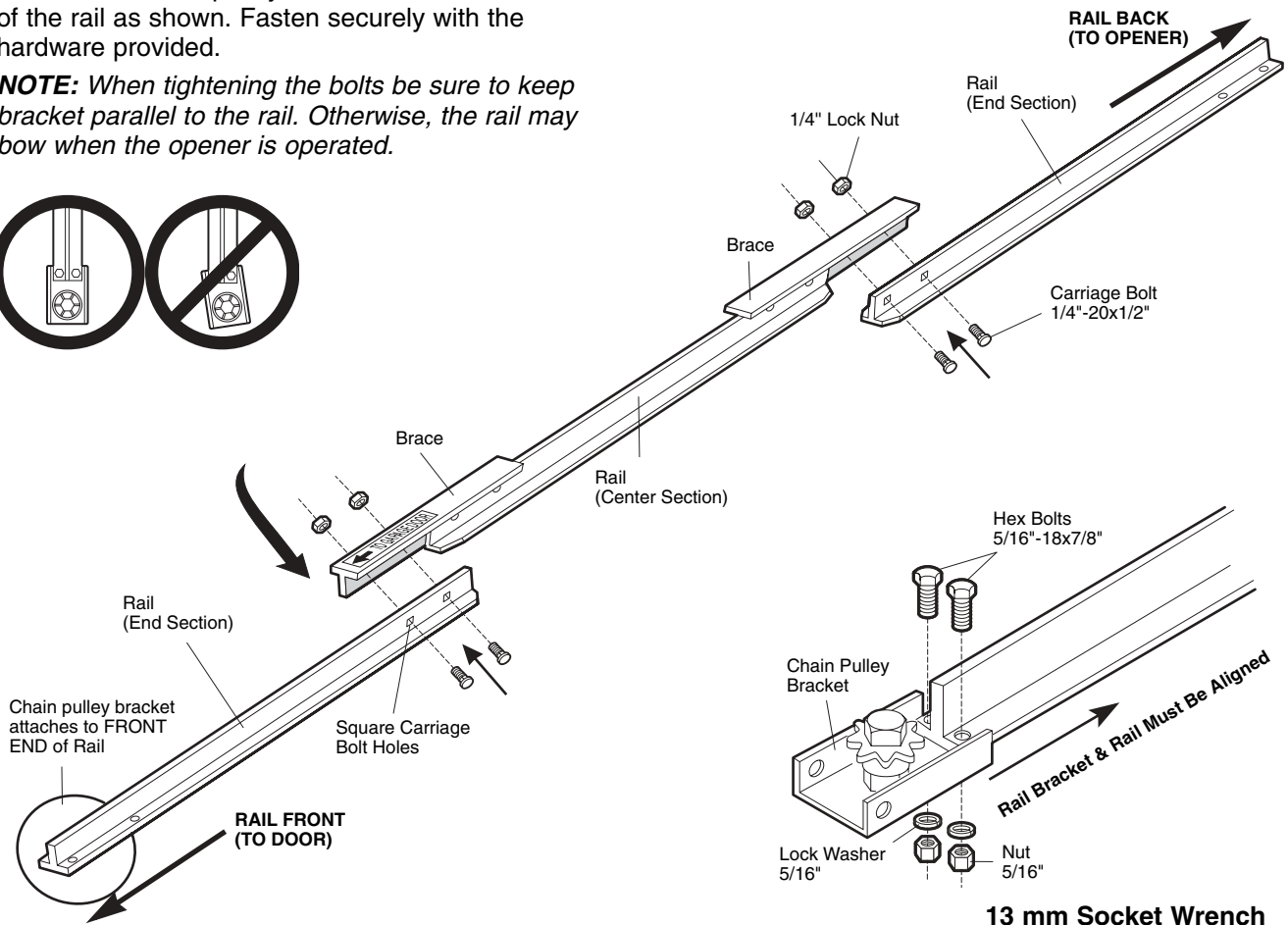
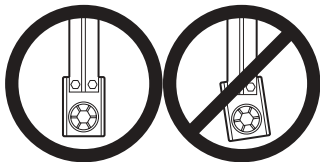
To avoid installation difficulties, do not run the garage door opener until instructed to do so.

- Place the 3 rail sections on a flat surface for assembly. The end sections are identical. The center section must be positioned with the braces against the end sections as shown. Make sure the "directional arrow" on the center section is pointing toward the front (to door). Study the illustration carefully. 
- Bolt rail sections together with the hardware illustrated and from the direction indicated. (When assembled, rail has a front-to-back position as shown.)

NOTE: If rail is not assembled exactly as shown, trolley will not travel smoothly along length of rail or it will hit against nuts.

- Position the chain pulley bracket on the front end of the rail as shown. Fasten securely with the hardware provided.

NOTE: When tightening the bolts be sure to keep bracket parallel to the rail. Otherwise, the rail may bow when the opener is operated.



11 mm Socket Wrench

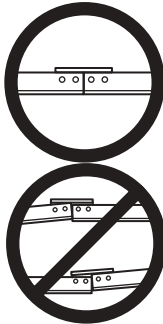
13 mm Socket Wrench

ASSEMBLY STEP 1

For Sliding and Swinging Gates ONLY Assemble the Rail and Attach the Chain Pulley Bracket

To avoid installation difficulties, do not run the garage door opener until instructed to do so.

- Place the 3 rail sections on a flat surface for assembly. The end sections are identical. Make sure the "arrow label" on the center section is pointing in the direction shown in the illustration.



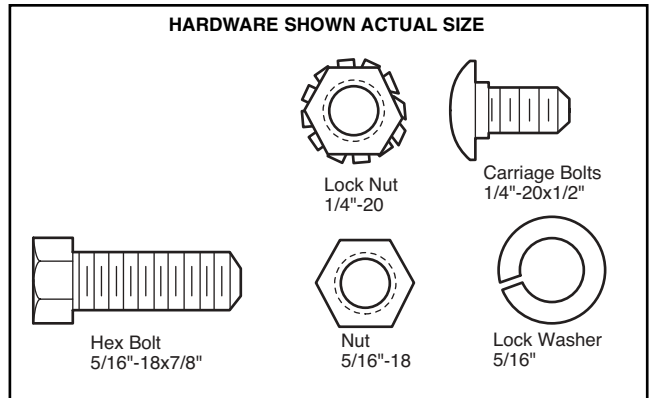
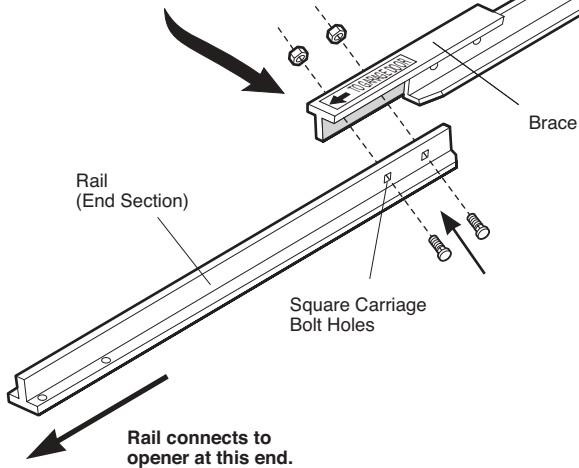
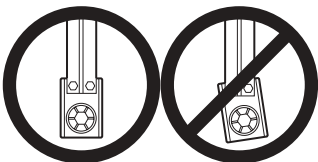
- Connect the center section and the 1/4" lock nuts to the end sections from the same side, as shown.

NOTE: If rail is not assembled exactly as shown, trolley will not travel smoothly along length of rail or it will hit against nuts.

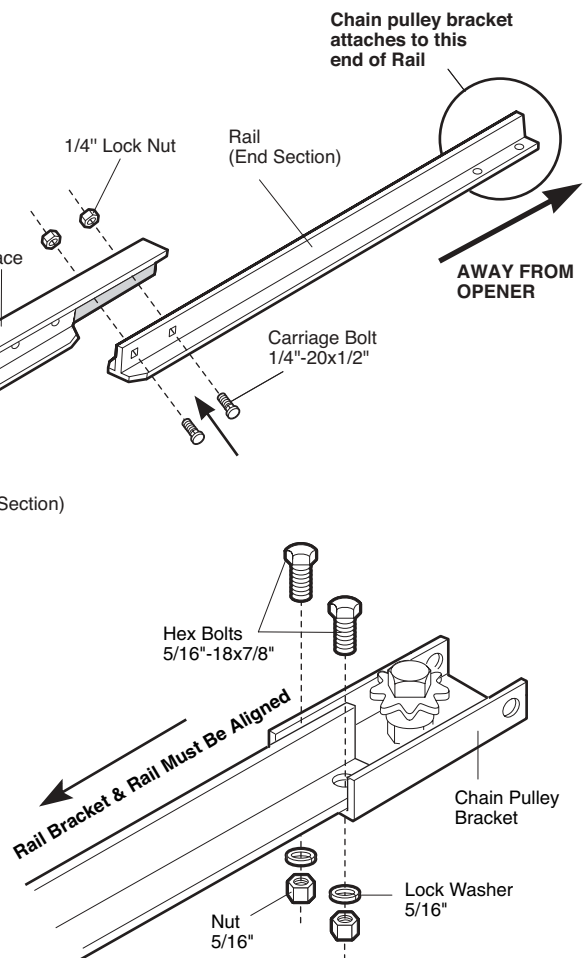
- Insert the carriage bolts from the opposite side of the end sections. Tighten the nuts. When assembled, rail has a front-to-back position as shown.

- Position the chain pulley bracket on the front end of the rail as shown. Fasten securely with the hardware provided.

NOTE: When tightening the bolts be sure to keep bracket parallel to the rail. Otherwise, the rail may bow when the opener is operated.



11 mm Socket Wrench



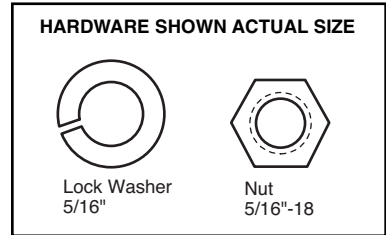
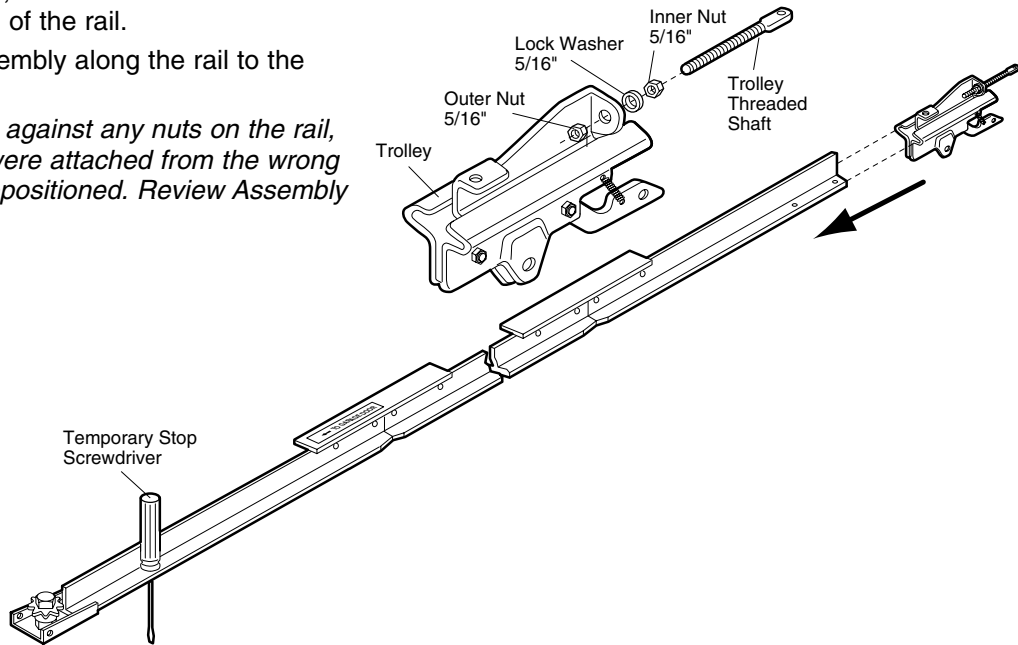
13 mm Socket Wrench

ASSEMBLY STEP 2

For Sectional and One-Piece Doors Only Install the Trolley

- Attach the trolley threaded shaft to the trolley with the lock washer and nuts as shown.
- As a temporary stop, insert a screwdriver into the hole in the front end of the rail.
- Slide the trolley assembly along the rail to the screwdriver stop.

NOTE: If trolley hits against any nuts on the rail, the bolts and nuts were attached from the wrong side and must be repositioned. Review Assembly Step 1.

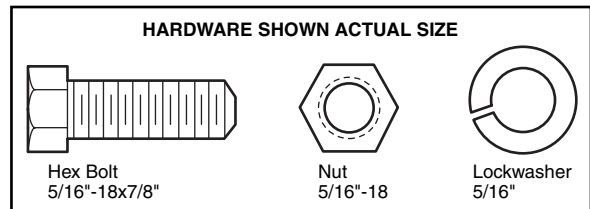
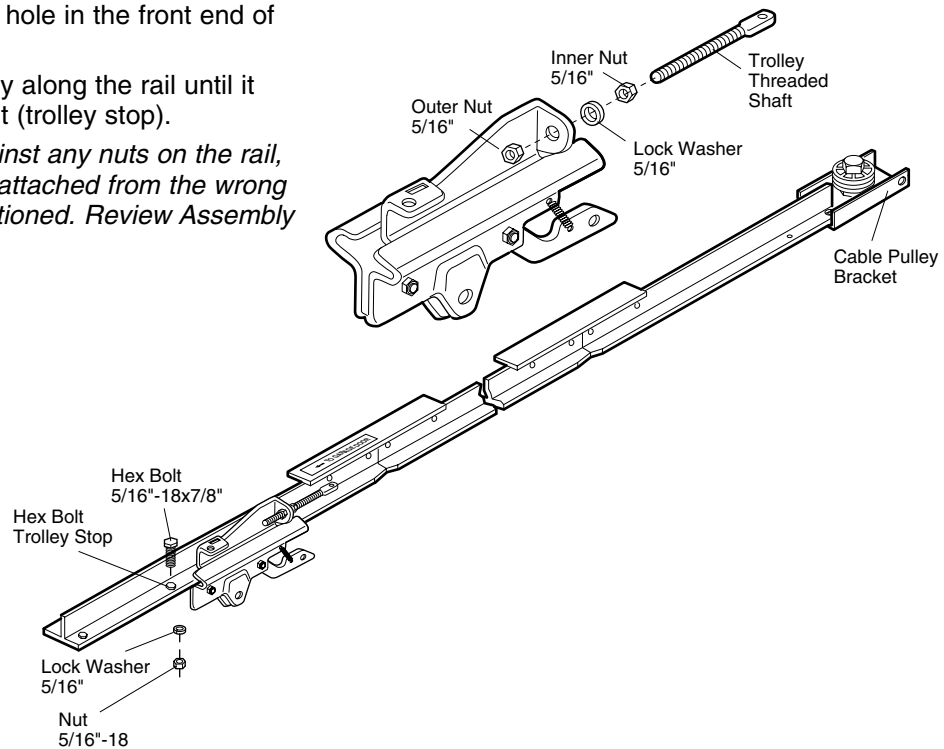


ASSEMBLY STEP 2

For Sliding and Swinging Gates Only Install the Trolley

- Attach the trolley threaded shaft to the trolley with the lock washer and nuts as shown.
- Insert a hex bolt into the hole in the front end of the rail.
- Slide the trolley assembly along the rail until it rests against the hex bolt (trolley stop).

NOTE: If trolley hits against any nuts on the rail, the bolts and nuts were attached from the wrong side and must be repositioned. Review Assembly Step 1.



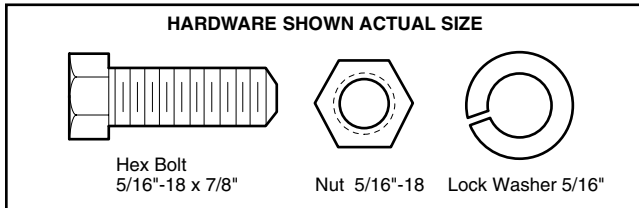
ASSEMBLY STEP 3

Fasten the Rail to the Motor Unit

- Place the opener on packing material to protect the cover. For convenience, put a support under the chain pulley bracket.
- Remove the two 5/16"-18x1/2" washered bolts mounted in the top of the motor unit.
- Align the holes in the back section of the rail with the holes in the motor unit.
- Fasten the rail with the two washered bolts previously removed. Tighten securely. **Remember to use only these bolts! Any other bolts will cause serious damage to the opener.**
- Insert a 5/16"-18x7/8" hex bolt into the cover protection bolt hole in the rail as shown. Tighten securely with a 5/16" lock washer and nut.

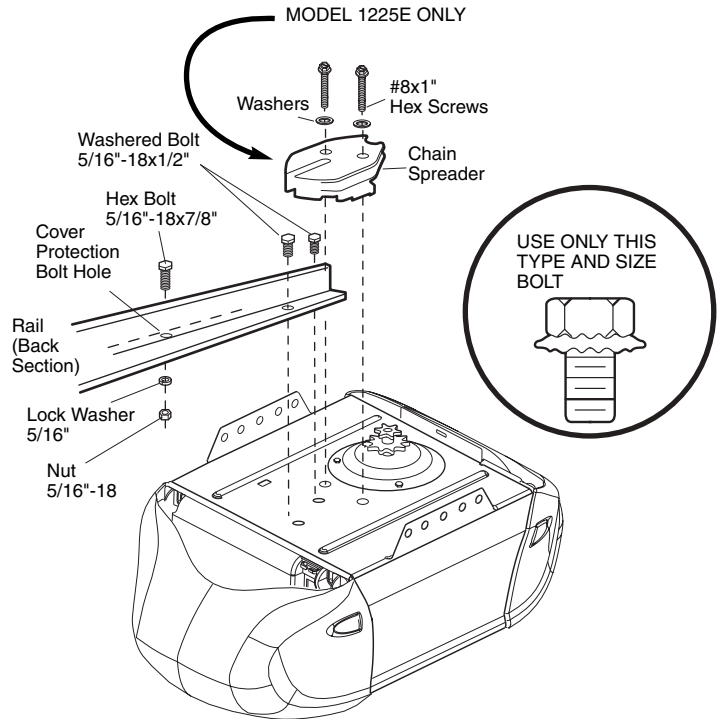
NOTE: This bolt prevents trolley over-travel. Keep a 25 mm minimum between the trolley and this bolt when adjusting travel limits (see page 29).

Model 1225E Only: Attach chain spreader with #8x1" hex screws and washers as shown.



CAUTION

To avoid serious damage to opener, **ONLY** use bolts/fasteners mounted in top of motor unit.

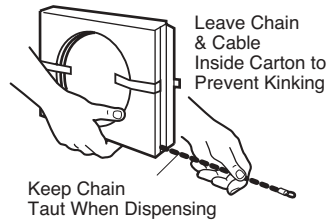


ASSEMBLY STEP 4

For Sectional and One-Piece Doors Only Install the Chain and Attach the Sprocket Cover

INSTALLING THE CHAIN

1. Dispense a few inches of chain from carton and fasten to trolley with a master link from the hardware bag. (Figure 1).



- Push pins of master link bar through chain link and hole in front end of trolley.
- Push master link cap over pins and past pin notches.
- Slide clip-on spring over cap and onto pin notches until both pins are securely locked in place.

2. With the trolley against the screwdriver, dispense the chain around the pulley.

3. Model 1215E:

- Continue along the rail and around the motor unit sprocket (Figure 2). The sprocket teeth must engage the chain. Continue forward to the trolley threaded shaft.

Model 1225E:

- Continue along the rail and around the motor unit sprocket (Figure 2). Proceed back around the correct groove in the chain spreader (Figure 3). The sprocket teeth must engage the chain.

4. Use the second master link to connect the chain to the flat end of the shaft (Figure 1). **Check to make sure the chain is not twisted.**

5. Remove the screwdriver.

ATTACHING THE SPROCKET COVER 1215E ONLY

Insert the back tab in the slot on the back of the mounting plate. Squeeze the cover slightly and insert the front tab (Figure 4).

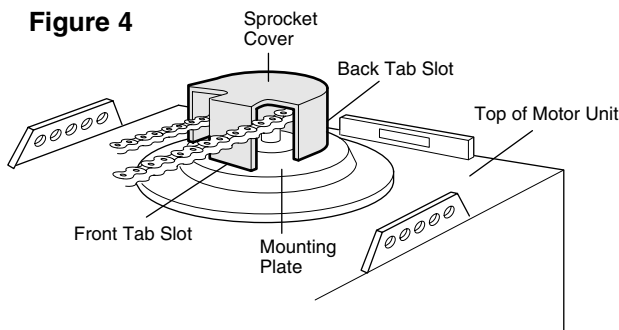


Figure 4

⚠ WARNING

To avoid possible SERIOUS INJURY to fingers from moving garage door opener:

- ALWAYS keep hand clear of sprocket while operating opener.
- Securely attach sprocket cover BEFORE operating.

Figure 1

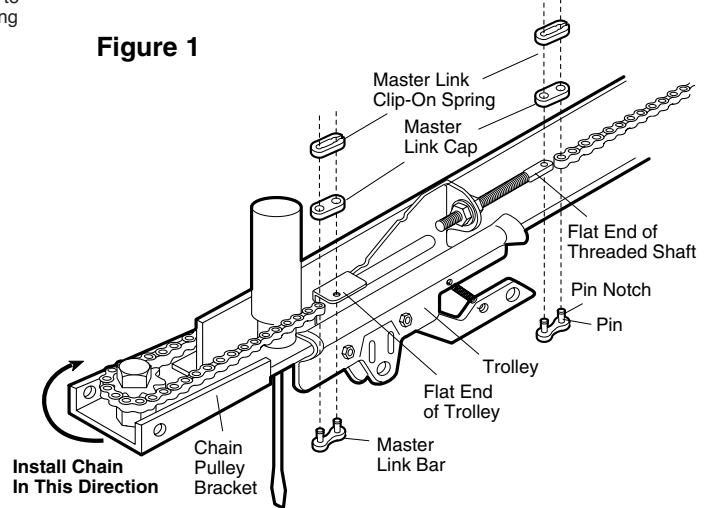


Figure 2

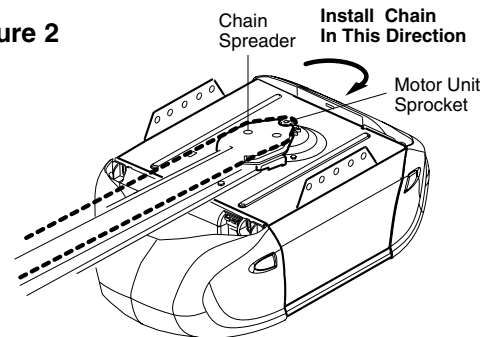
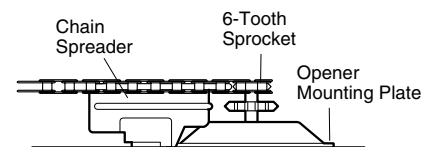
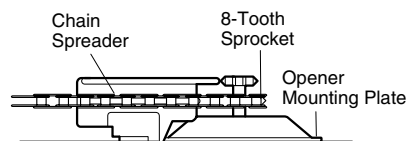


Figure 3



One-Piece Doors

6-Tooth Sprocket Application (Model 1225E)



Sectional Doors

8-Tooth Sprocket Application (Model 1225E)
(6-tooth sprocket can be used if slower travel speed is desired.)

ASSEMBLY STEP 4

For Sliding and Swinging Gates Only Install the Chain and Attach the Sprocket Cover

INSTALLING THE CHAIN

1. Dispense a few inches of chain from carton and fasten to trolley with a master link from the hardware bag. (Figure 1).

- Push pins of master link bar through chain link and hole in front end of trolley.
- Push master link cap over pins and past pin notches.
- Slide clip-on spring over cap and onto pin notches until both pins are securely locked in place.

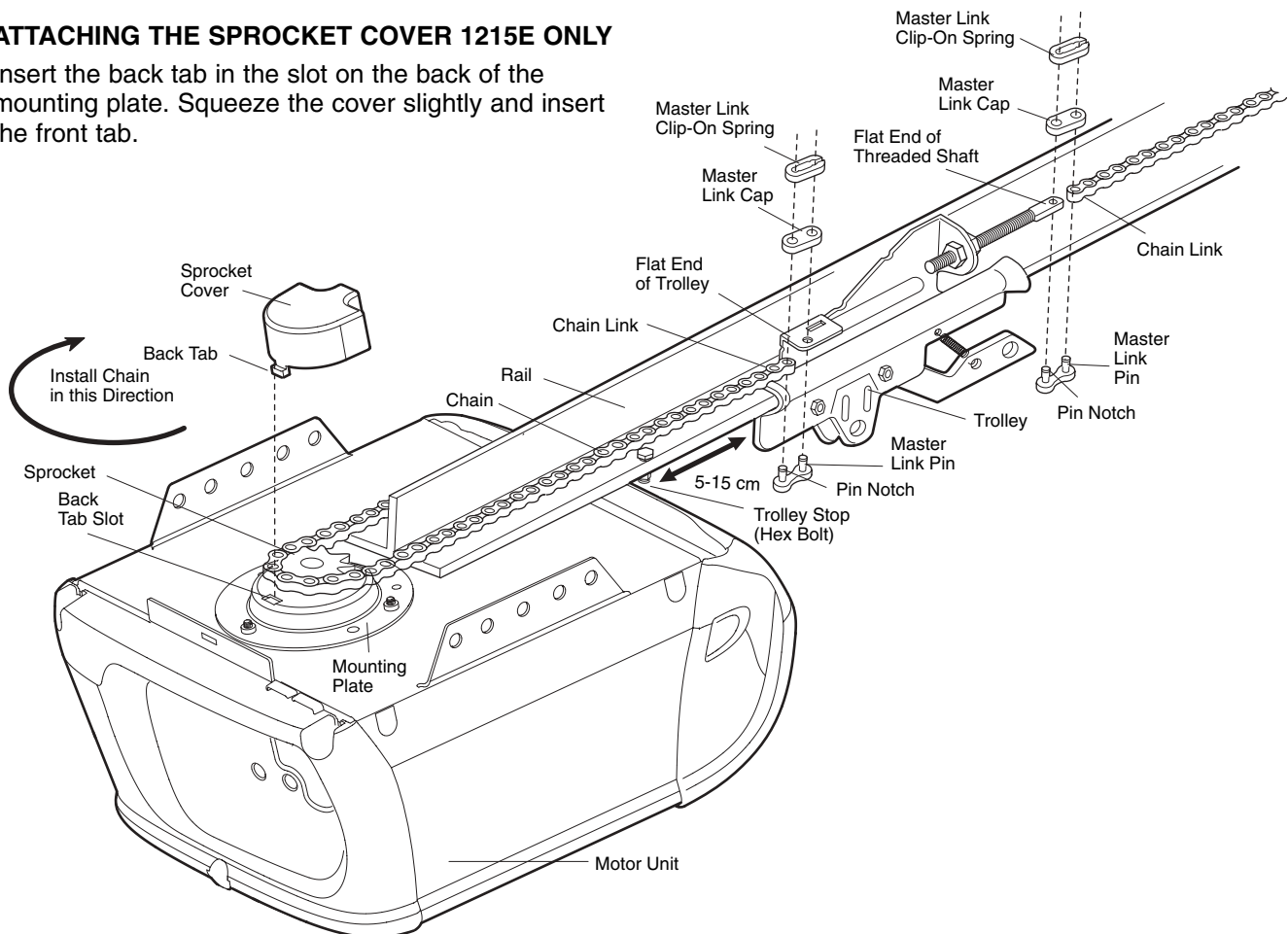
2. To prevent the trolley from jamming against the opener during operation, position trolley 5 to 15 cm from the stop hole as shown. Then dispense the chain around the opener sprocket (Figure 1). Make sure the sprocket teeth engage the chain.

- Proceed around to the pulley bracket and forward to the threaded trolley shaft.

3. Use the second master link to connect the chain to the flat end of the shaft (Figure 1). **Check to make sure the chain is not twisted.**

ATTACHING THE SPROCKET COVER 1215E ONLY

Insert the back tab in the slot on the back of the mounting plate. Squeeze the cover slightly and insert the front tab.



⚠ WARNING

To avoid possible SERIOUS INJURY to fingers from moving opener:

- ALWAYS keep hand clear of sprocket while operating opener.
- Securely attach sprocket cover BEFORE operating.

ASSEMBLY STEP 5

Tighten the Chain

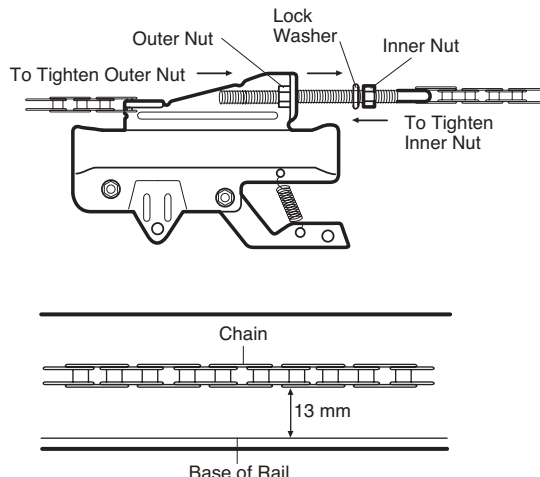
- Spin the inner nut and lock washer down the trolley threaded shaft, away from the trolley.
- To tighten the chain, turn outer nut in the direction shown. **AS YOU TURN THE NUT, KEEP THE CHAIN FROM TWISTING.**
- When the chain is approximately 13 mm above the base of the rail at its midpoint, re-tighten the inner nut to secure the adjustment.

Sprocket noise can result if chain is either too loose or too tight.

NOTE: When installation is complete, you may notice some chain droop with the door closed. This is normal. If the chain returns to the position shown when the door is open, do not re-adjust the chain.

NOTE: During future maintenance, **ALWAYS** pull the emergency release handle to disconnect trolley before adjusting chain.

You have now finished assembling your garage door opener. Please read the following warnings before proceeding to the installation section.



INSTALLATION

IMPORTANT INSTALLATION INSTRUCTIONS

WARNING

To reduce the risk of SEVERE INJURY or DEATH:

1. READ AND FOLLOW ALL INSTALLATION WARNINGS AND INSTRUCTIONS.
2. Install garage door opener only on properly balanced and lubricated garage door. An improperly balanced door may not reverse when required and could result in severe injury or death.
3. All repairs to cables, spring assemblies and other hardware **MUST** be made by a trained door systems technician **BEFORE** installing opener.
4. Disable all locks and remove all ropes connected to garage door **BEFORE** installing opener to avoid entanglement.
5. Install garage door opener 2.1 m or more above floor.
6. Mount emergency release handle 1.8 m above floor.
7. **NEVER** connect garage door opener to power source until instructed to do so.
8. **NEVER** wear watches, rings or loose clothing while installing or servicing opener. They could be caught in garage door or opener mechanisms.
9. Install wall-mounted garage door control:
 - within sight of the garage door
 - out of reach of children at minimum height of 1.5 m
 - away from all moving parts of the door.
10. Place entrapment warning label on wall next to garage door control.
11. Place manual release/safety reverse test label in plain view on inside of garage door.
12. Upon completion of installation, test safety reversal system. Door **MUST** reverse on contact with a 38 mm obstruction on the floor.

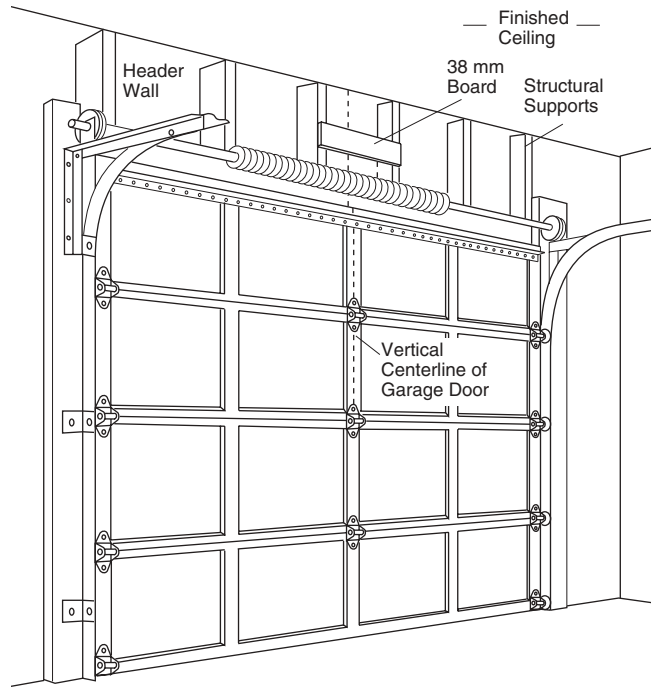
INSTALLATION STEP 1

Determine the Header Bracket Location

⚠ WARNING

To prevent possible **SERIOUS INJURY** or **DEATH**:

- Header bracket **MUST** be **RIGIDLY** fastened to structural support on header wall or ceiling, otherwise garage door might not reverse when required. **DO NOT** install header bracket over drywall.
- Concrete anchors **MUST** be used if mounting header bracket or 38 mm board into masonry.
- **NEVER** try to loosen, move or adjust garage door, springs, cables, pulleys, brackets, or their hardware, all of which are under **EXTREME** tension.
- **ALWAYS** call a trained door systems technician if garage door binds, sticks, or is out of balance. An unbalanced garage door might not reverse when required.



Installation procedures vary according to garage door types. Follow the instructions which apply to your door.

If your door is a canopy or dual-track style garage door, a door arm conversion kit is **REQUIRED**. Follow the installation instructions included with the replacement door arm sectional.

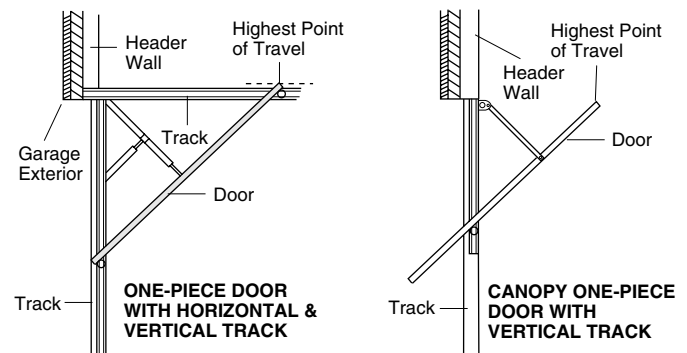
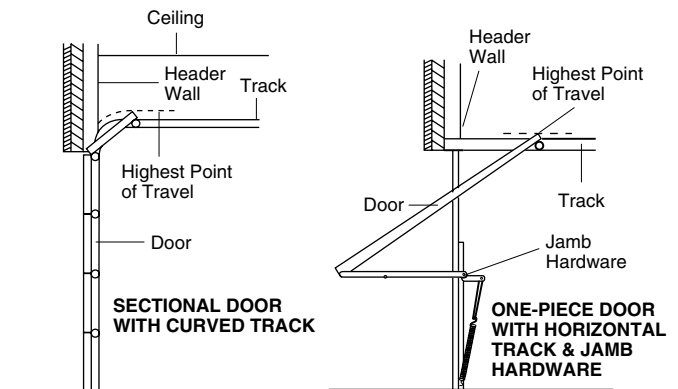
SECTIONAL DOOR AND ONE-PIECE DOOR WITH TRACK

1. Close the door and mark the inside vertical centerline of the garage door.
2. Extend the line onto the header wall above the door.

You can fasten the header bracket within 1.2 m of the left or right of the door center only if a torsion spring or center bearing plate is in the way; or you can attach it to the ceiling (see page 17) when clearance is minimal. (It may be mounted on the wall upside down if necessary, to gain approximately 1 cm.)

If you need to install the header bracket on a 38 mm board (on wall or ceiling), use lag screws (not provided) to securely fasten the 38 mm board to structural supports as shown here and on page 17.

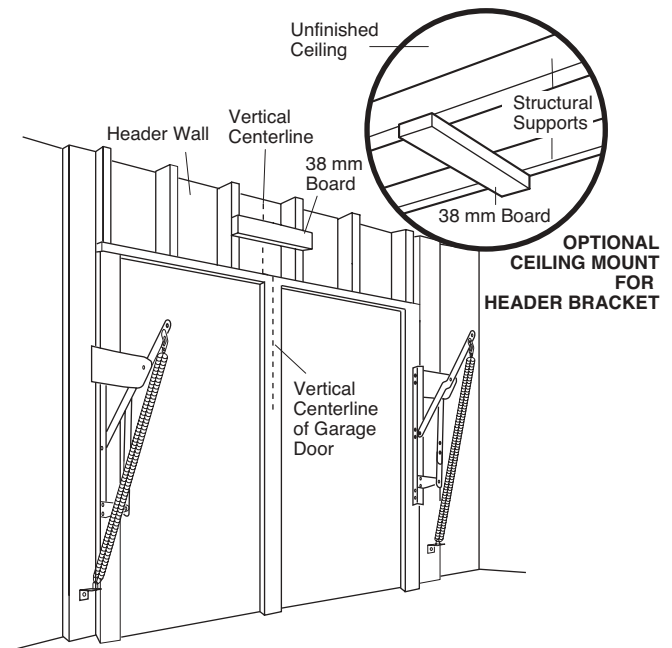
3. Open your door to the highest point of travel as shown. Draw an intersecting horizontal line on the header wall 5 cm above the high point. This height will provide travel clearance for the top edge of the door.



Proceed to Step 2, page 18.

ONE-PIECE DOOR WITHOUT TRACK

1. Close the door and mark the inside vertical centerline of your garage door. Extend the line onto the header wall above door, as shown.
If headroom clearance is minimal, you can install the header bracket on the ceiling. See page 18.
If you need to install the header bracket on a 38 mm board (on wall or ceiling), use lag screws (not provided) to securely fasten the 38 mm board to structural supports as shown.
 2. Open your door to the highest point of travel as shown. Measure the distance from the top of the door to the floor. Subtract the actual height of the door. Add 20 cm to the remainder. (See Example).
 3. Close the door and draw an intersecting horizontal line on the header wall at the determined height.
- NOTE:** If the total number of centimeters exceeds the height available in your garage, use the maximum height possible, or refer to page 18 for ceiling installation.

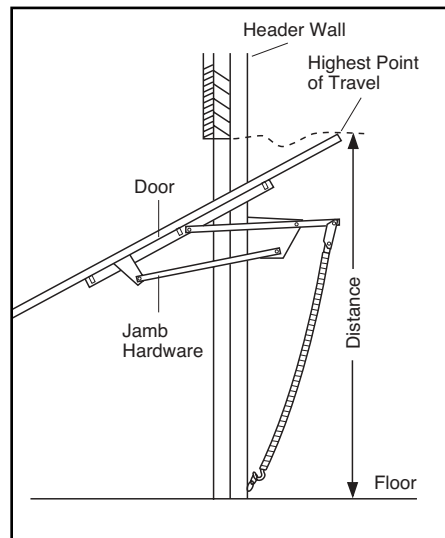


EXAMPLE

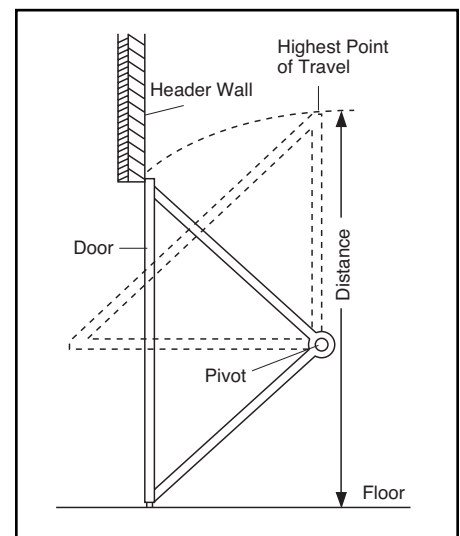
Distance from top of door	
(at highest point of travel) to floor	234 cm
Actual height of door	-224 cm
Remainder	10 cm
Add	+20 cm
Bracket height on header wall.....	=30 cm

(Measure UP from top of CLOSED door.)

Proceed to Step 2, page 18.



**One-piece door without track:
jamb hardware**



**One-piece door without track:
pivot hardware**

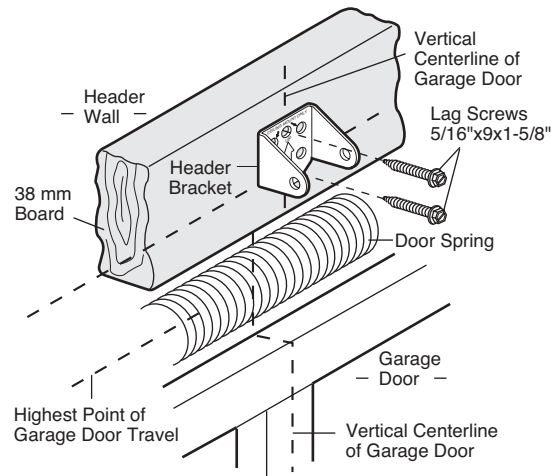
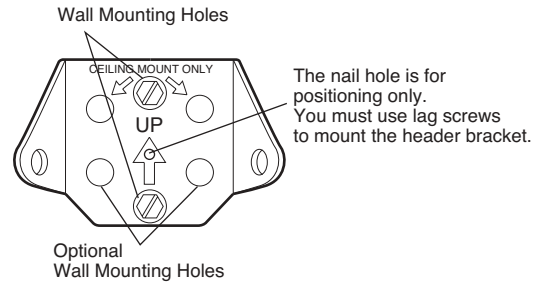
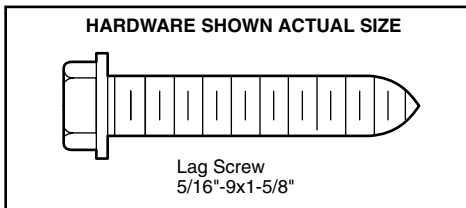
INSTALLATION STEP 2

Install the Header Bracket

You can attach the header bracket either to the wall above the garage door, or to the ceiling. Follow the instructions which will work best for your particular requirements. **Do not install the header bracket over drywall. If installing into masonry, use concrete anchors (not provided).**

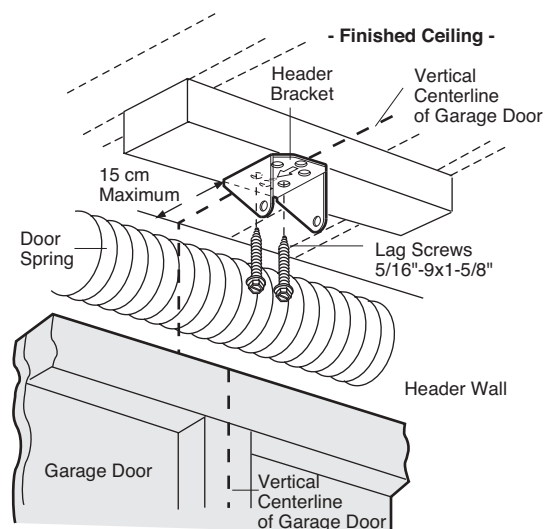
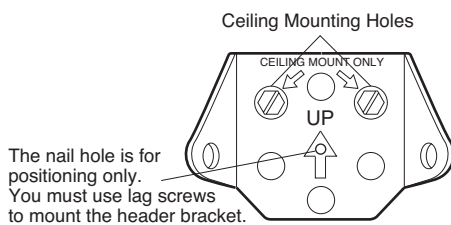
WALL HEADER BRACKET INSTALLATION

- Center the bracket on the vertical centerline with the bottom edge of the bracket on the horizontal line as shown (with the arrow pointing toward the ceiling).
- Mark the vertical set of bracket holes (do not use the holes designated for ceiling mount). Drill 5 mm pilot holes and fasten the bracket securely to a structural support with the hardware provided.



CEILING HEADER BRACKET INSTALLATION

- Extend the vertical centerline onto the ceiling as shown.
- Center the bracket on the vertical mark, no more than 15 cm from the wall. Make sure the arrow is pointing toward the wall. The bracket can be mounted flush against the ceiling when clearance is minimal.
- Mark the side holes. Drill 5 mm pilot holes and fasten bracket securely to a structural support with the hardware provided.



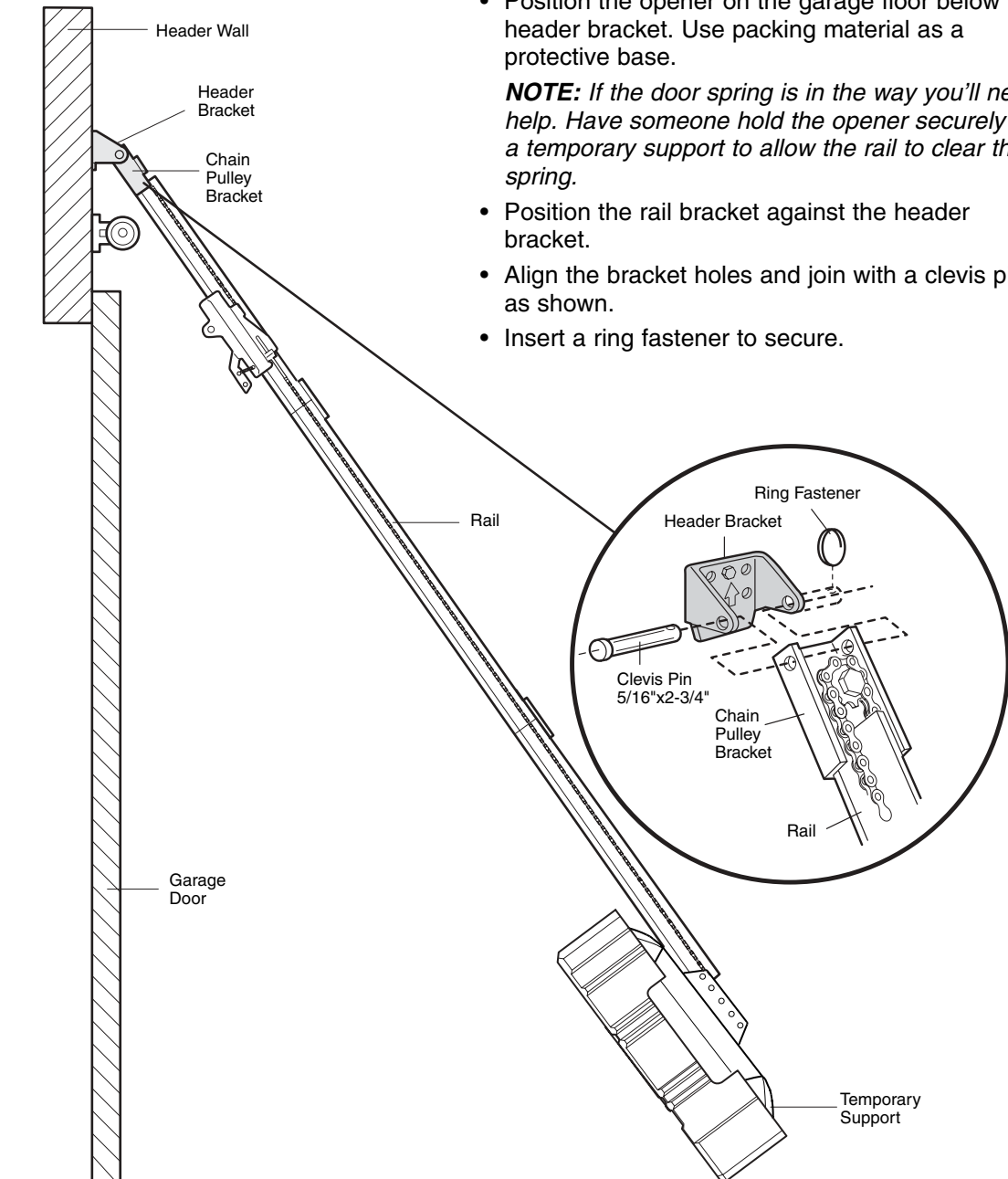
INSTALLATION STEP 3

Attach the Rail to the Header Bracket

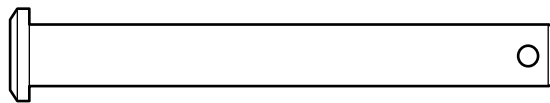
- Position the opener on the garage floor below the header bracket. Use packing material as a protective base.

NOTE: If the door spring is in the way you'll need help. Have someone hold the opener securely on a temporary support to allow the rail to clear the spring.

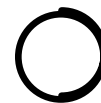
- Position the rail bracket against the header bracket.
- Align the bracket holes and join with a clevis pin as shown.
- Insert a ring fastener to secure.



HARDWARE SHOWN ACTUAL SIZE



Clevis Pin
5/16"x2-3/4"



Ring Fastener

INSTALLATION STEP 4

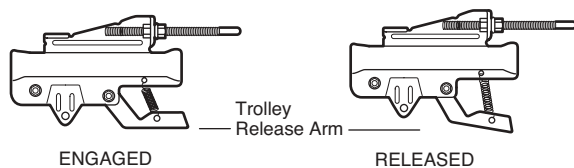
Position the Opener

Follow instructions which apply to your door type as illustrated.

SECTIONAL DOOR OR ONE-PIECE DOOR WITH TRACK

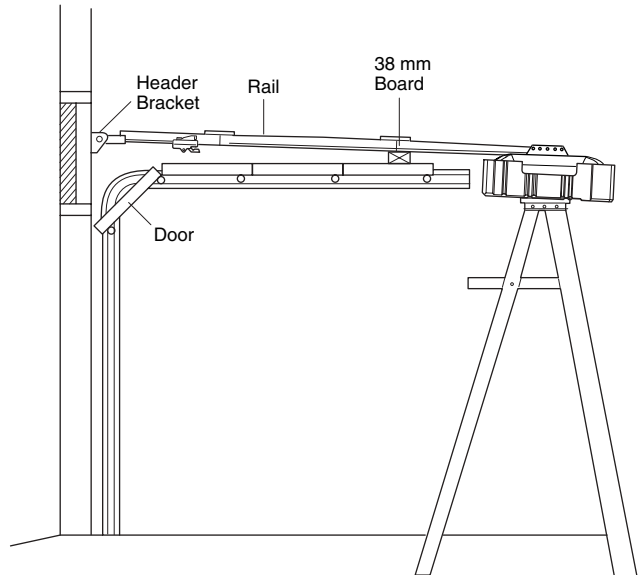
A 38 mm board is convenient for setting an ideal door-to-rail distance.

- Raise the opener onto a stepladder. You will need help at this point if the ladder is not tall enough.
- Open the door all the way and place a 38 mm board on the top section beneath the rail.
- If the top section or panel hits the trolley when you raise the door, pull down on the trolley release arm to disconnect inner and outer sections. Slide the outer trolley toward the motor unit. The trolley can remain disconnected until Installation Step 11 is completed.



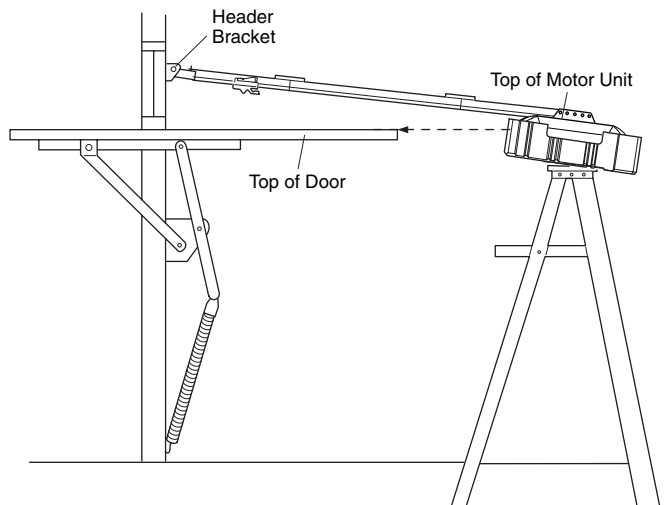
CAUTION

To prevent damage to garage door, rest garage door opener rail on 38 mm board placed on top section of door.



ONE-PIECE DOOR WITHOUT TRACK

- With the door fully open and parallel to the floor, measure the distance from the floor to the top of the door.
- Using a stepladder as a support, raise the top of the opener to this height.
- The top of the door should be level with the top of the motor unit. Do not position the opener more than 5 cm above this point.

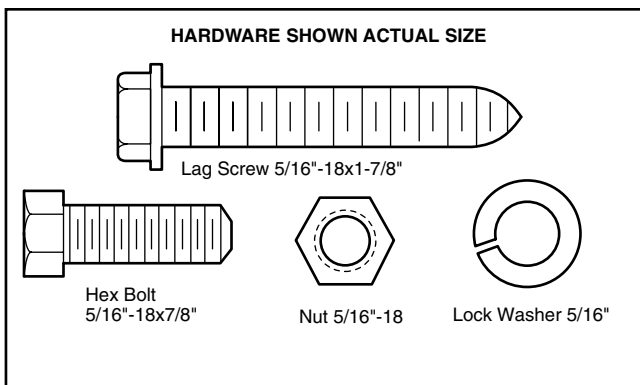
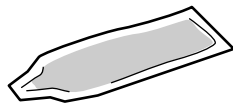


INSTALLATION STEP 5

Hang the Opener

Two representative installations are shown. Yours may be different. Hanging brackets should be angled (Figure 1) to provide rigid support. On finished ceilings (Figure 2), attach a sturdy metal bracket to structural supports before installing the opener. This bracket and fastening hardware are not provided.

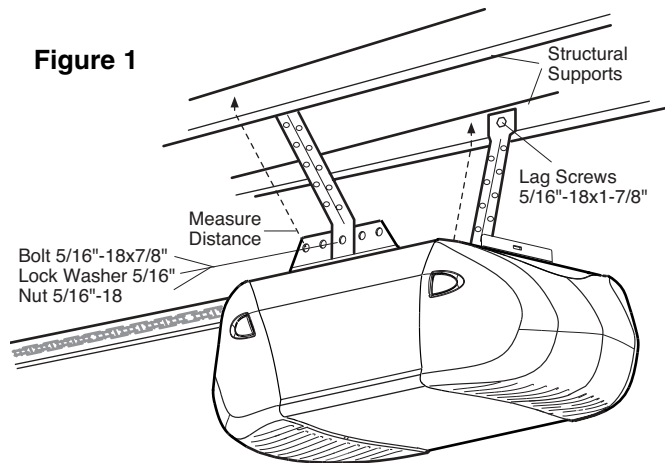
1. Measure the distance from each side of the motor unit to the structural support.
2. Cut both pieces of the hanging bracket to required lengths.
3. Drill 5 mm pilot holes in the structural supports.
4. Attach one end of each bracket to a support with 5/16"-18x1-7/8" lag screws.
5. Fasten the opener to the hanging brackets with 5/16"-18x7/8" hex bolts, lock washers and nuts.
6. Check to make sure the rail is centered over the door (or in line with the header bracket if the bracket is not centered above the door).
7. Remove the 38 mm board. Operate the door manually. If the door hits the rail, raise the header bracket.
8. Grease the top and underside of the rail surface where the trolley slides with rail grease.



⚠ WARNING

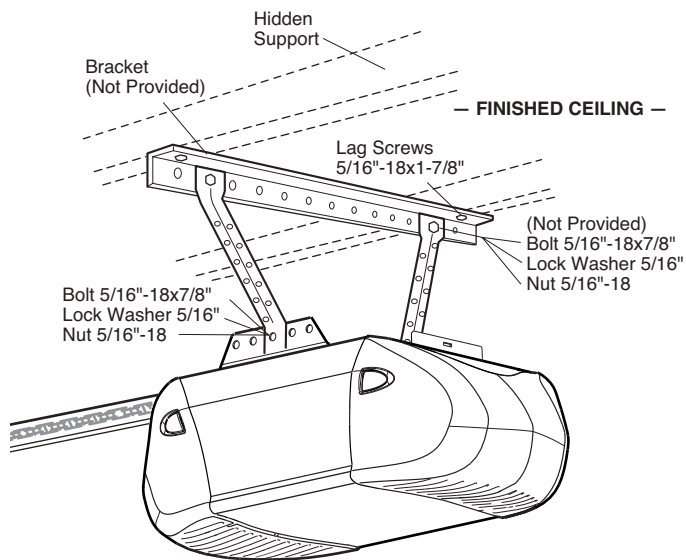
To avoid possible **SERIOUS INJURY** from a falling garage door opener, fasten it **SECURELY** to structural supports of the garage. Concrete anchors **MUST** be used if installing any brackets into masonry.

Figure 1



13 mm Socket Wrench

Figure 2



INSTALLATION STEP 6

Install the Door Control

Locate door control within sight of the door at a minimum height of 1.5 m where small children cannot reach, and away from moving parts of the door and door hardware. The installation surface must be smooth and flat. If installing into drywall (Figure 1), drill 4 mm holes and use anchors provided. For pre-wired installations (as in new home construction), it may be mounted to a single gang box (Figure 2).

NOTE: After installation, a green indicator light behind the cover will indicate proper connection. If not lit, the Lock and Light features will not function (reverse wires to correct).

- Strip 11 mm of insulation from one end of bell wire and connect to the two screw terminals on back of door control by color: white wire to 2 and white/red wire to the 1 (Figure 3).
- Model 1215E - Lighted door control:** Remove the cover from the Lighted Door Control. Fasten to wall with 6ABx1-1/2" self-tapping screws (Figure 4)
Model 1225E - Multi-function door control: Remove white cover by gently prying at slot in top of the cover with a small flat head screwdriver. Fasten with 6ABx1-1/4" self-tapping screws (drywall installation) or 6-32x1" machine screws (into gang box) as follows:
 - Drill and install bottom screw, allowing 3 mm to protrude above wall surface.
 - Position bottom of door control on screw head and slide down to secure. Adjust screw for snug fit.
 - Install top screw with care to avoid cracking plastic housing. **Do not overtighten.**
 - Insert bottom tabs and snap on cover.
- (Standard installation only)** Run bell wire up wall and across ceiling to motor unit. Use insulated staples to secure wire in several places. Do not pierce wire with a staple, creating a short or open circuit.
- Strip 11 mm of insulation from end of bell wire. Connect bell wire to the quick-connect terminals as follows: white to white and white/red to red (Figure 5).

NOTE: When connecting multiple door controls to the opener, twist same color wires together. Insert wires into quick-connect holes: white to white and red/white to red.

- Use tacks or staples to permanently attach entrapment warning label to wall near door control, and manual release/safety reverse test label in a prominent location on inside of garage door.

WIRING INSTRUCTIONS FOR ACCESSORIES

The Protector System®: To opener terminals: White to White and Black to grey.

Outside Keylock Accessory connections: To opener terminals: Red/white to Red and White to White.

⚠️ WARNING

To prevent possible SERIOUS INJURY or DEATH from electrocution:

- Be sure power is not connected BEFORE installing door control.
- Connect ONLY to 24 VOLT low voltage wires.

To prevent possible SERIOUS INJURY or DEATH from a closing garage door:

- Install door control within sight of garage door, out of reach of children at a minimum height of 1.5 m, and away from all moving parts of door.
- NEVER permit children to operate or play with door control push buttons or remote control transmitters.
- Activate door ONLY when it can be seen clearly, is properly adjusted, and there are no obstructions to door travel.
- ALWAYS keep garage door in sight until completely closed. NEVER permit anyone to cross path of closing garage door.

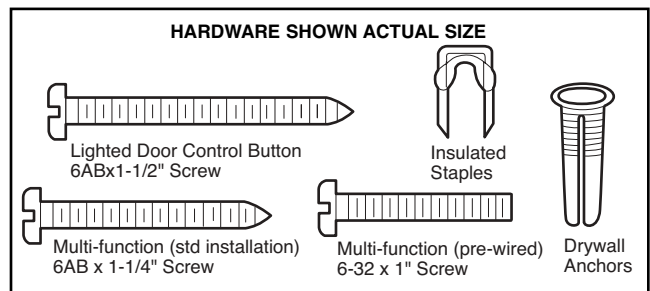


Figure 1 STANDARD INSTALLATION

Figure 2 PRE-WIRED INSTALLATION

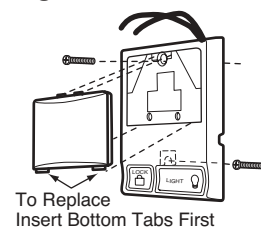


Figure 3 DOOR CONTROL (BACK)

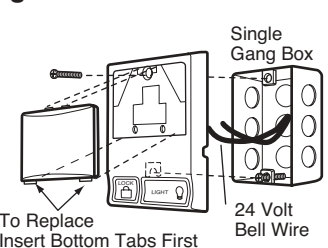


Figure 4 REMOVE COVER

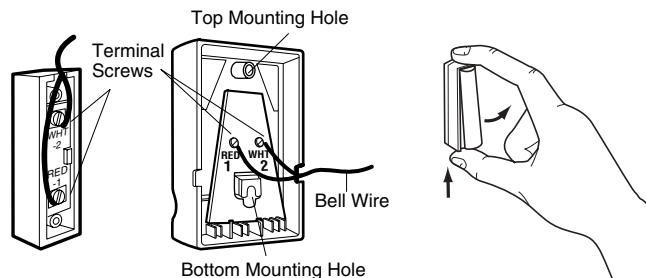
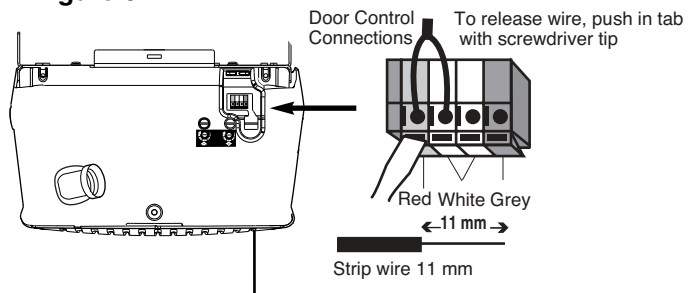


Figure 5



INSTALLATION STEP 7

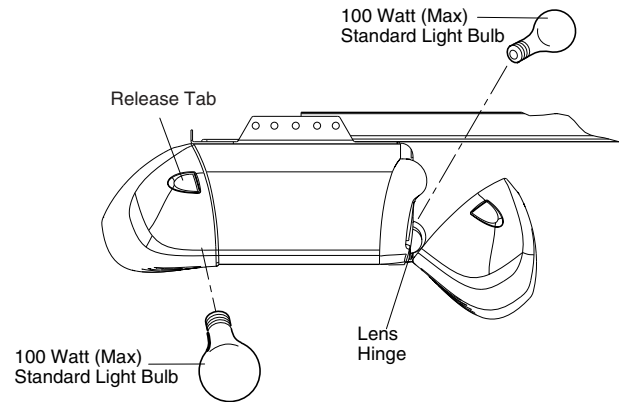
Install the Lights

- Press the release tabs on both sides of lens. Gently rotate lens back and downward until the lens hinge is in the fully open position. Do not remove the lens.
- Install up to a 100 watt maximum light bulb in each socket. The lights will turn ON and remain lit for approximately 4-1/2 minutes when power is connected. Then the lights will turn OFF.
- Reverse the procedure to close the lens.
- If the bulbs burn out prematurely due to vibration, replace with a Garage Door Opener bulb.

NOTE: Use only standard light bulbs. The use of short neck or specialty light bulbs may overheat the endpanel or light socket.

CAUTION

- To prevent possible OVERHEATING of the endpanel or light socket,
- DO NOT use short neck or specialty light bulbs.
 - DO NOT use halogen bulbs. Use ONLY incandescent.



INSTALLATION STEP 8

Attach the Emergency Release Rope and Handle

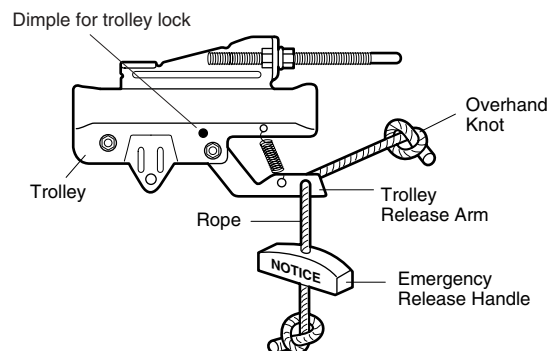
- Thread one end of the rope through the hole in the top of the red handle so "NOTICE" reads right side up as shown. Secure with an overhand knot at least 25 mm from the end of the rope to prevent slipping.
- Thread the other end of the rope through the hole in the release arm of the outer trolley.
- Adjust rope length so the handle is 1.8 m above the floor. Secure with an overhand knot.
- **Optional installation:** As an added security option a padlock may be installed on the trolley release arm. To utilize this feature you must drill a hole 4.5 mm - 8 mm on the dimple which is located on the trolley release arm. Install the padlock. When using this feature the emergency release will not work until the padlock is removed.

NOTE: If it is necessary to cut the rope, heat seal the cut end with a match or lighter to prevent unraveling.

WARNING

To prevent possible SERIOUS INJURY or DEATH from a falling garage door:

- If possible, use emergency release handle to disengage trolley ONLY when garage door is CLOSED. Weak or broken springs or unbalanced door could result in an open door falling rapidly and/or unexpectedly.
- NEVER use emergency release handle unless garage doorway is clear of persons and obstructions.
- NEVER use handle to pull door open or closed. If rope knot becomes untied, you could fall.

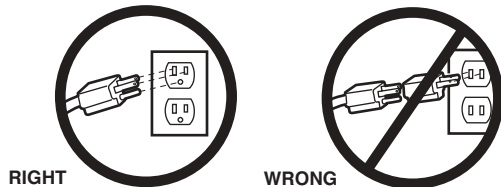


INSTALLATION STEP 9

Electrical Requirements

To avoid installation difficulties, do not run the opener at this time.

To reduce the risk of electric shock, your garage door opener has a grounding type plug with a third grounding pin. This plug will only fit into a grounding type outlet. If the plug doesn't fit into the outlet you have, contact a qualified electrician to install the proper outlet.



If permanent wiring is required by your local code, refer to the following procedure.

To make a permanent connection through the 22 mm diameter hole in the top of the motor unit:

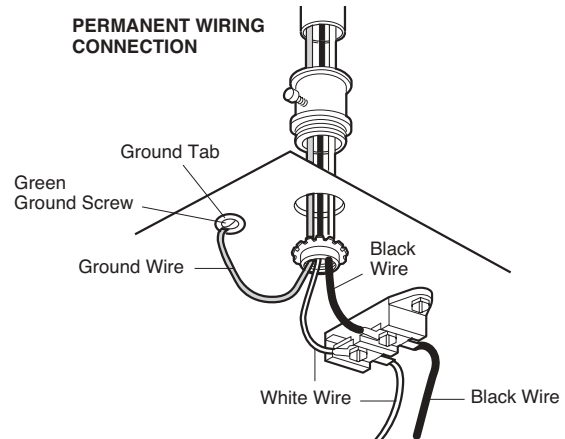
- Remove the motor unit cover screws and set the cover aside.
- Remove the attached 3-prong cord.
- Connect the black (line) wire to the screw on the brass terminal; the white (neutral) wire to the screw on the silver terminal; and the ground wire to the green ground screw. **The opener must be grounded.**
- Reinstall the cover.

To avoid installation difficulties, do not run the opener at this time.

⚠ WARNING

To prevent possible SERIOUS INJURY or DEATH from electrocution or fire:

- Be sure power is not connected to the opener, and disconnect power to circuit BEFORE removing cover to establish permanent wiring connection.
- Garage door installation and wiring MUST be in compliance with all local electrical and building codes.
- NEVER use an extension cord, 2-wire adapter, or change plug in any way to make it fit outlet. Be sure the opener is grounded.



INSTALLATION STEP 10

Fasten the Door Bracket

Follow instructions which apply to your door type as illustrated below or on the following page.

A horizontal reinforcement brace should be long enough to be secured to two vertical supports. A vertical reinforcement brace should cover the height of the top panel.

The illustration shows one piece of angle iron as the horizontal brace. For the vertical brace, two pieces of angle iron are used to create a "U"-shaped support (Figure 1). The best solution is to check with your garage door manufacturer for an opener installation door reinforcement kit. If your door is a canopy or dual-track style garage door, a door arm conversion kit is required. Follow the installation instructions included with the replacement door arm.

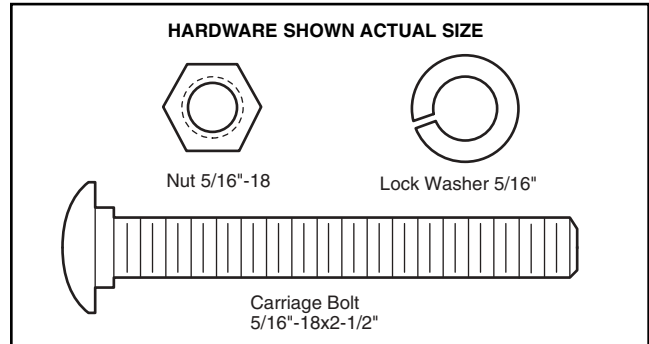
NOTE: Many vertical brace installations provide for direct attachment of the clevis pin and door arm. In this case you will not need the door bracket; proceed to Installation Step 11.

SECTIONAL DOORS

- Center the door bracket on the previously marked vertical centerline used for the header bracket installation. Note correct UP placement, as stamped inside the bracket (Figure 2).
- Position the bracket on the face of the door within the following limits:
 - A) The top edge of the bracket 5 - 10 cm below the top edge of the door.
 - B) The top edge of the bracket directly below any structural support across the top of the door.

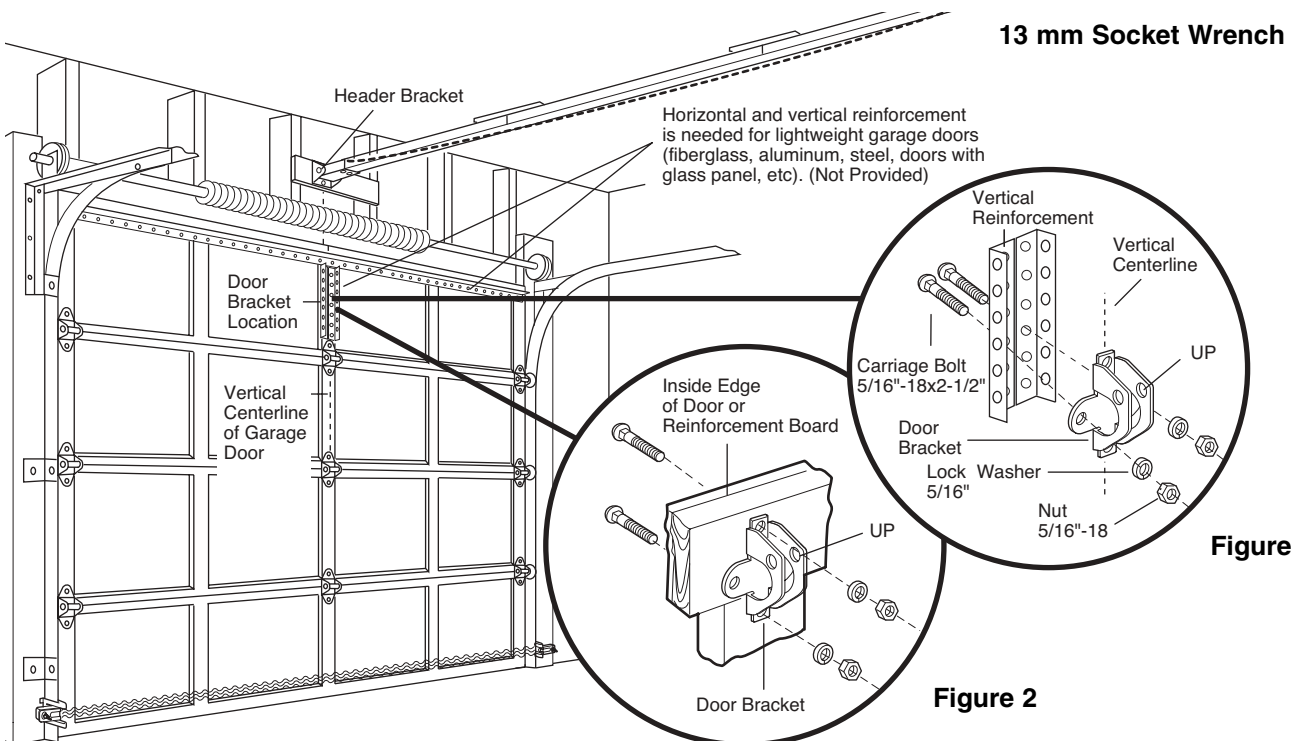
CAUTION

To prevent damage to garage door, reinforce inside of door with angle iron both vertically and horizontally.



- Mark and drill 8 mm left and right fastening holes. Secure the bracket as shown in Figure 1 if there is vertical reinforcement.

If your installation doesn't require vertical reinforcement but does need top and bottom fastening holes for the door bracket, fasten as shown in Figure 2.



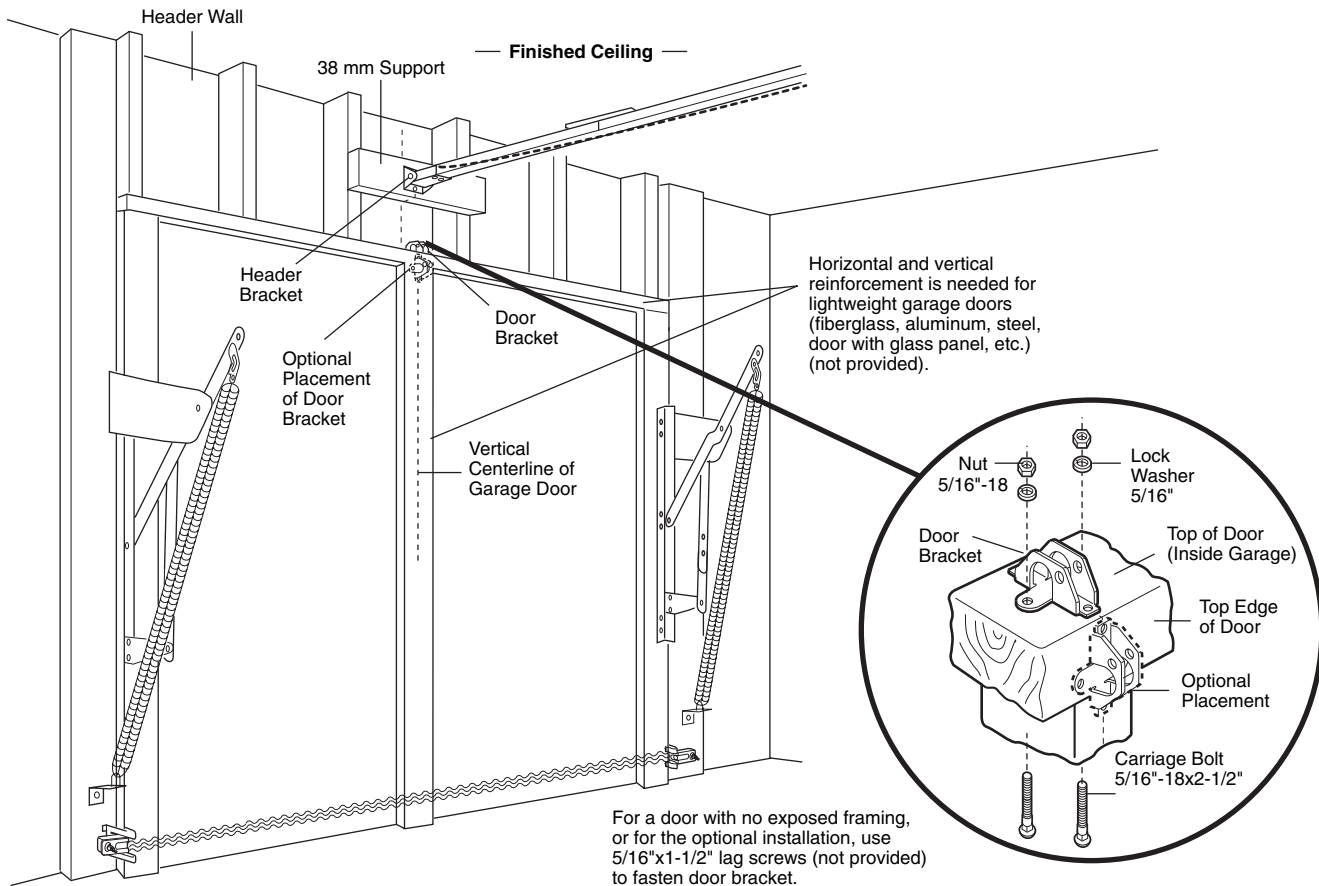
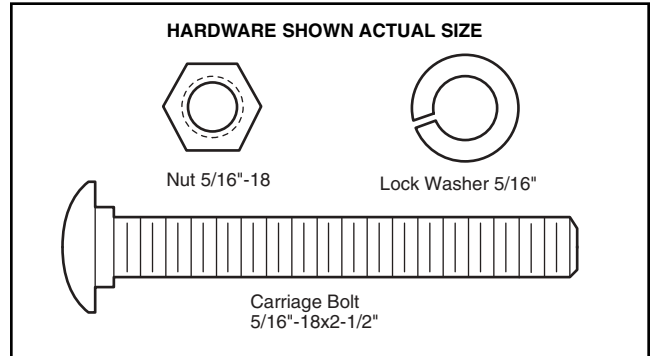
ONE-PIECE DOORS

Please read and comply with the warnings and reinforcement instructions on the previous page. They apply to one-piece doors also.

- Center the door bracket on the top of the door, in line with the header bracket as shown. Mark either the left and right, or the top and bottom holes.
- Drill 8 mm pilot holes and fasten the bracket with hardware provided.

If the door has no exposed framing, drill 5 mm pilot holes and fasten the bracket with 5/16"x1-1/2" lag screws (not provided) to the top of the door.

NOTE: The door bracket may be installed on the top edge of the door if required for your installation. (Refer to the dotted line optional placement drawing.) Drill 5 mm pilot holes and substitute 5/16"x1-1/2" lag screws (not provided) to fasten the bracket to the door.



13 mm Socket Wrench

INSTALLATION STEP 11

Connect Door Arm to Trolley

Follow instructions which apply to your door type as illustrated below and on the following page.

SECTIONAL DOORS ONLY

- Make sure garage door is fully closed. Pull the emergency release handle to disconnect the outer trolley from the inner trolley. Slide the outer trolley back (away from the door) about 5 cm as shown in Figures 1, 2 and 3.
- **Figure 1:**
 - Fasten straight door arm section to outer trolley with the 5/16"x1" clevis pin. Secure the connection with a ring fastener.
 - Fasten curved section to the door bracket in the same way, using the 5/16"x1-1/4" clevis pin.
- **Figure 2:**
 - Bring arm sections together. Find two pairs of holes that line up and join sections. Select holes as far apart as possible to increase door arm rigidity.
- **Figure 3, Hole alignment alternative:**
 - If holes in curved arm are above holes in straight arm, disconnect straight arm. Cut about 15 cm from the solid end. Reconnect to trolley with cut end down as shown.
 - Bring arm sections together.
 - Find two pairs of holes that line up and join with bolts, lock washers and nuts.
- Proceed to Adjustment Step 1, page 29. Trolley will re-engage automatically when opener is operated.

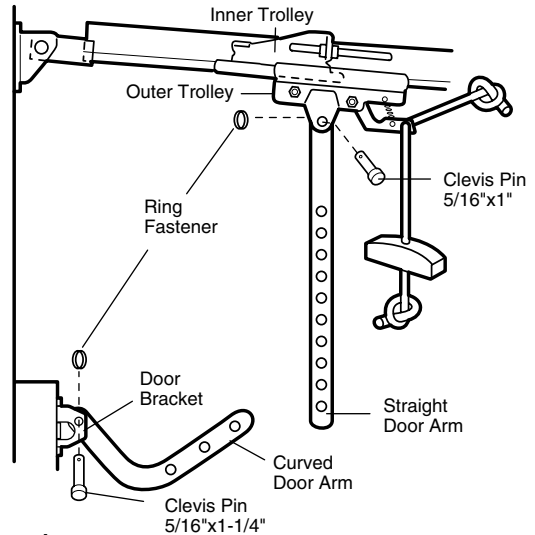


Figure 1

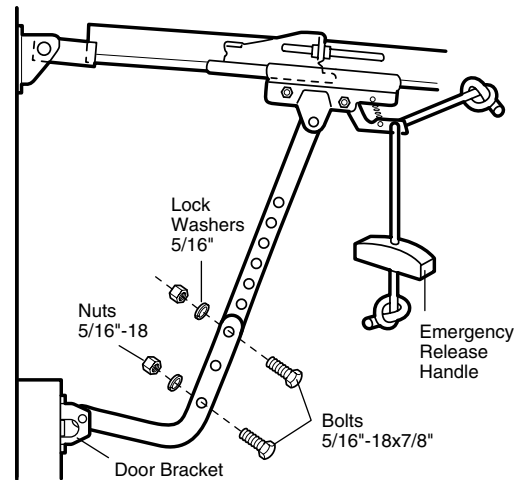


Figure 2

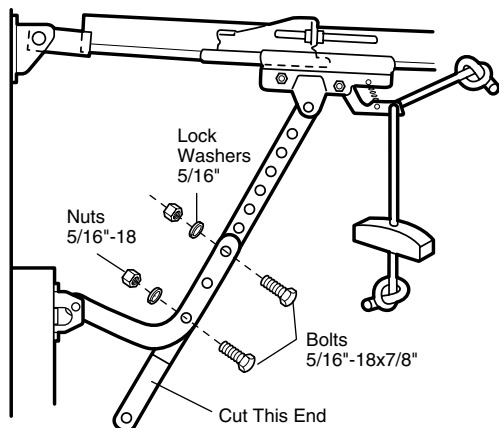
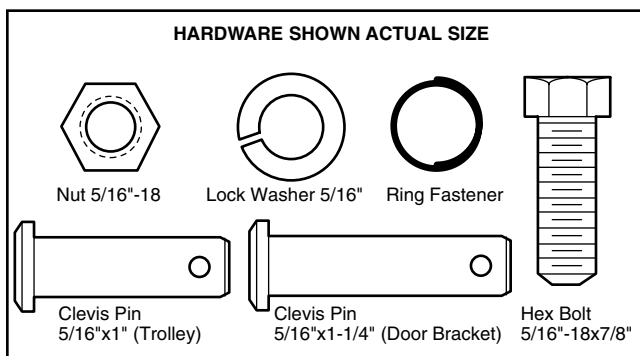
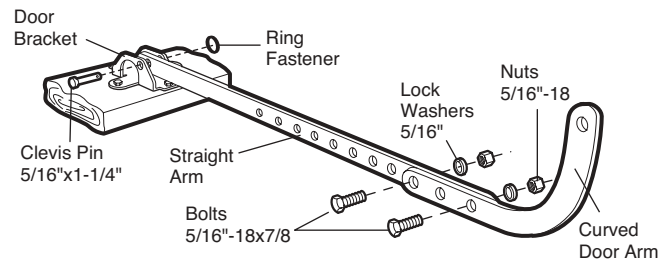


Figure 3

ALL ONE-PIECE DOORS

1. Assemble the door arm:

- Fasten the straight and curved door arm sections together to the longest possible length (with a 2 or 3 hole overlap).
- With the door closed, connect the straight door arm section to the door bracket with the 5/16"x1-1/4" clevis pin.
- Secure with a ring fastener.



2. Adjustment procedures:

On one-piece doors, before connecting the door arm to the trolley, the travel limits must be adjusted. Limit adjustment screws are located on the left side panel as shown on page 29. Follow adjustment procedures below.

• Open door adjustment: decrease UP travel limit

- Turn the UP limit adjustment screw counter-clockwise 4 turns.
- Press the Door Control push bar. The trolley will travel to the fully open position.
- Manually raise the door to the open position (parallel to the floor), and lift the door arm to the trolley. The arm should touch the trolley just in back of the door arm connector hole. Refer to the fully open trolley/door arm positions in the illustration. If the arm does not extend far enough, adjust the limit further. One full turn equals 5 cm of trolley travel.

• Closed door adjustment: decrease DOWN travel limit

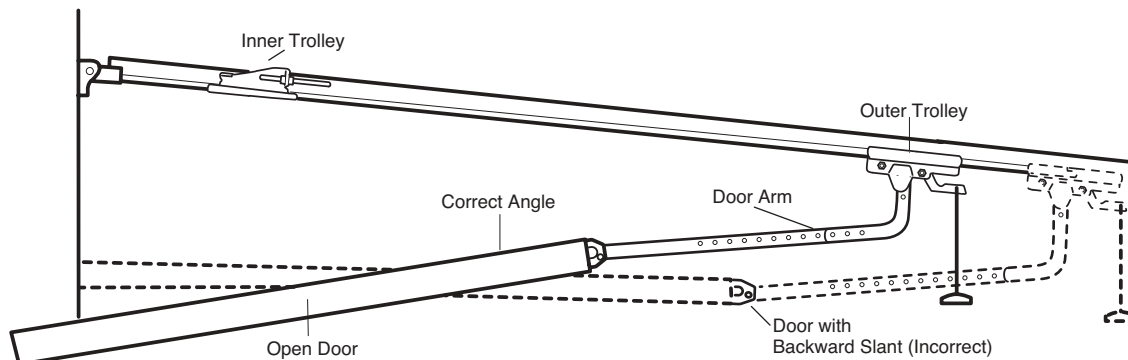
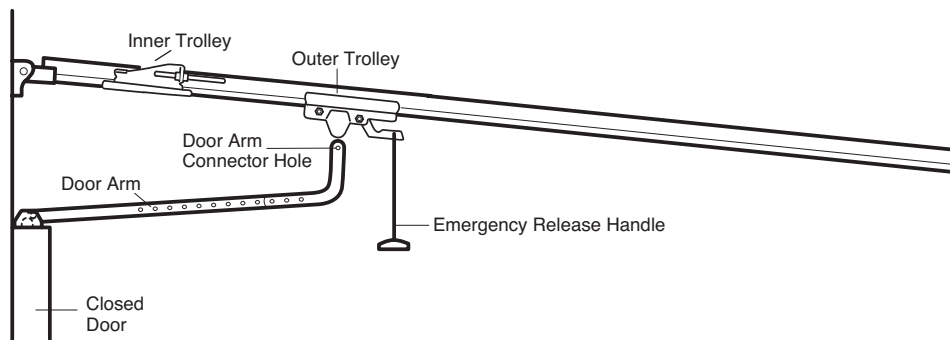
- Turn the DOWN limit adjustment screw clockwise 4 complete turns.

- Press the Door Control push bar. The trolley will travel to the fully closed position.
- Manually close the door and lift the door arm to the trolley. The arm should touch the trolley just ahead of the door arm connector hole. Refer to the fully closed trolley/door arm positions in the illustration. If the arm is behind the connector hole, adjust the limit further. One full turn equals 5 cm of trolley travel.

3. Connect the door arm to the trolley:

- Close the door and join the curved arm to the connector hole in the trolley with the remaining clevis pin. It may be necessary to lift the door slightly to make the connection.
- Secure with a ring fastener.
- Run the opener through a complete travel cycle. If the door has a slight "backward" slant in full open position as shown in the illustration, decrease the UP limit until the door is parallel to the floor.

NOTE: When setting the up limit on the following page, the door should not have a "backward" slant when fully open as illustrated below. A slight backward slant will cause unnecessary bucking and/or jerking operation as the door is being opened or closed from the fully open position.



ADJUSTMENT STEP 1

Adjust the UP and DOWN Travel Limits

Limit adjustment settings regulate the points at which the door will stop when moving up or down.

To operate the opener, press the Door Control push bar. Run the opener through a complete travel cycle.

- Does the door open and close completely?
- Does the door stay closed and not reverse unintentionally when fully closed?

If your door passes both of these tests, no limit adjustments are necessary unless the reversing test fails (Adjustment Step 3).

Adjustment procedures are outlined below. Read the procedures carefully before proceeding to Adjustment Step 2. Use a screwdriver to make limit adjustments. **Run the opener through a complete travel cycle after each adjustment.**

NOTE: Repeated operation of the opener during adjustment procedures may cause the motor to overheat and shut off. Simply wait 15 minutes and try again.

NOTE: If anything interferes with the door's upward travel, it will stop. If anything interferes with the door's downward travel (including binding or unbalanced doors), it will reverse.

HOW AND WHEN TO ADJUST THE LIMITS

- **If the door does not open completely but opens at least 1.5 m:**

Increase up travel. Turn the UP limit adjustment screw clockwise. One turn equals 5 cm of travel.

NOTE: To prevent the trolley from hitting the cover protection bolt, keep a minimum distance of 5 cm - 10 cm between the trolley and the bolt.

- **If door does not open at least 1.5 m:**

Adjust the UP (open) force as explained in Adjustment Step 2.

- **If the door does not close completely:**

Increase down travel. Turn the down limit adjustment screw counterclockwise. One turn equals 5 cm of travel.

If door still won't close completely and the trolley bumps into the pulley bracket (see page 4 or 5), try lengthening the door arm (page 27) and decreasing the down limit.

- **If the opener reverses in fully closed position:**

Decrease down travel. Turn the down limit adjustment screw clockwise. One turn equals 5 cm of travel.

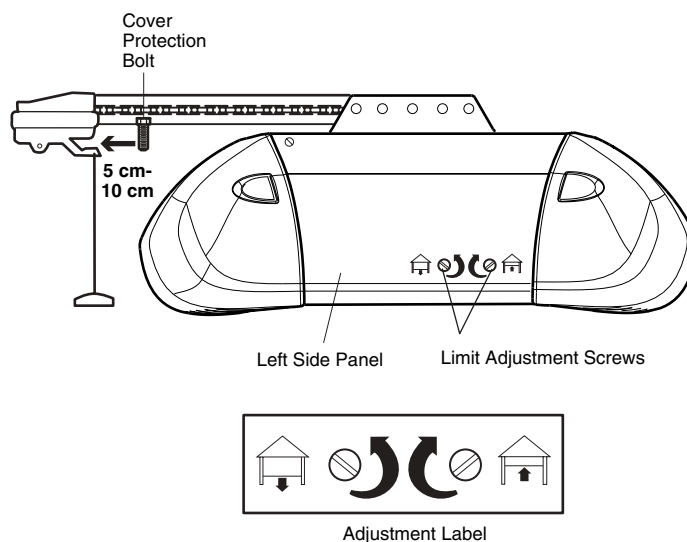
WARNING

Without a properly installed safety reversal system, persons (particularly small children) could be **SERIOUSLY INJURED** or **KILLED** by a closing garage door.

- Incorrect adjustment of garage door travel limits will interfere with proper operation of safety reversal system.
- If one control (force or travel limits) is adjusted, the other control may also need adjustment.
- After ANY adjustments are made, the safety reversal system **MUST** be tested. Door **MUST** reverse on contact with 38 mm obstacle on the floor.

CAUTION

To prevent damage to vehicles, be sure fully open door provides adequate clearance.



- **If the door reverses when closing and there is no visible interference to travel cycle:**

Test the door for binding: Pull the emergency release handle. Manually open and close the door. If the door is binding or unbalanced, call for a trained door systems technician. If the door is balanced and not binding, adjust the DOWN (close) force. See Adjustment Step 2.

ADJUSTMENT STEP 2

Adjust the Force

Force adjustment controls are located on the back panel of the motor unit. Force adjustment settings regulate the amount of power required to open and close the door.

If the forces are set too light, door travel may be interrupted by nuisance reversals in the down direction and stops in the up direction. Weather conditions can affect the door movement, so occasional adjustment may be needed.

The maximum force adjustment range is about 3/4 of a complete turn. Do not force controls beyond that point. Turn force adjustment controls with a screwdriver.

NOTE: *If anything interferes with the door's upward travel, it will stop. If anything interferes with the door's downward travel (including binding or unbalanced doors), it will reverse.*

HOW AND WHEN TO ADJUST THE FORCES

1. Test the DOWN (close) force

- Grasp the door bottom when the door is about halfway through DOWN (close) travel. The door should reverse. *Reversal halfway through down travel does not guarantee reversal on a 38 mm obstruction. See Adjustment Step 3.*

If the door is hard to hold or doesn't reverse, DECREASE the DOWN (close) force by turning the control counterclockwise. Make small adjustments until the door reverses normally. After each adjustment, run the opener through a complete cycle.

- If the door reverses during the down (close) cycle and the opener lights aren't flashing, INCREASE** DOWN (close) force by turning the control clockwise. Make small adjustments until the door completes a close cycle. After each adjustment, run the opener through a complete travel cycle. *Do not increase the force beyond the minimum amount required to close the door.*

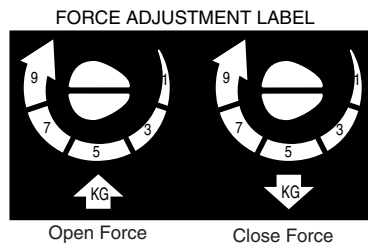
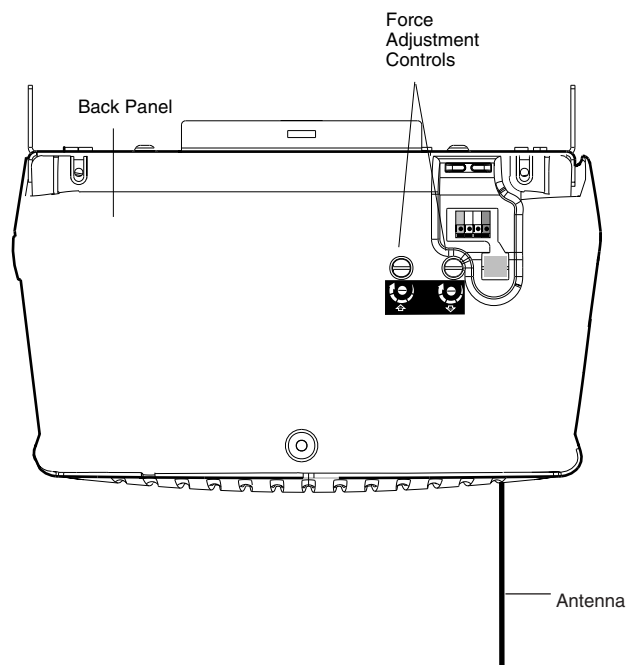
2. Test the UP (open) force

- Grasp the door bottom when the door is about halfway through UP (open) travel. The door should stop. **If the door is hard to hold or doesn't stop, DECREASE** UP (open) force by turning the control counterclockwise. Make small adjustments until the door stops easily and opens fully. After each adjustment, run the opener through a complete travel cycle.
- If the door doesn't open at least 1.5 m, INCREASE** UP (open) force by turning the control clockwise. Make small adjustments until door opens completely. Readjust the UP limit if necessary. After each adjustment, run the opener through a complete travel cycle.

! WARNING

Without a properly installed safety reversal system, persons (particularly small children) could be **SERIOUSLY INJURED** or **KILLED** by a closing door or gate.

- Too much force on garage door will interfere with proper operation of safety reversal system.
- NEVER** increase force beyond minimum amount required to close garage door.
- NEVER** use force adjustments to compensate for a binding or sticking garage door.
- If one control (force or travel limits) is adjusted, the other control may also need adjustment.
- After **ANY** adjustments are made, the safety reversal system **MUST** be tested. Door **MUST** reverse on contact with 38 mm obstacle on the floor.



ADJUSTMENT STEP 3

Test the Safety Reversal System

Garage Door Installation

TEST

- With the door fully open, place a 38 mm obstacle on the floor, centered under the garage door.
- Operate the door in the down direction. The door **must** reverse on striking the obstruction.

ADJUST

- If the door stops on the obstruction, it is not traveling far enough in the down direction. Increase the DOWN limit by turning the DOWN limit adjustment screw counterclockwise 1/4 turn.

NOTE: On a sectional door, make sure limit adjustments do not force the door arm beyond a straight up and down position. See the illustration on page 27.

- Repeat the test.
- When the door reverses on the 38 mm obstacle, remove the obstruction and run the opener through 3 or 4 complete travel cycles to test adjustment.

IMPORTANT SAFETY CHECK:

Repeat Adjustment Steps 1, 2 and 3 after:

- Each adjustment of door arm length, limits, or force controls.
- Any repair to or adjustment of the garage door (including springs and hardware).
- Any repair to or buckling of the garage floor.
- Any repair to or adjustment of the opener.

Gate Installation

TEST

The opener must reverse if the gate comes in contact with an obstruction. A closing gate should reverse with little effort, and open completely. See *Adjustment Step 2*.

- Use 38 mm board laid flat against the wall or gate edge.
- **SLIDING GATE DOOR**, place a 38 mm board between the door and wall of a closing gate. Gate must reverse on the board and open completely. Repeat at opposite wall if two openers are installed.
- **SWING OUT GATE**, insert a 38 mm board between the closing gate sections. Gate sections must reverse and swing open completely.

ADJUST

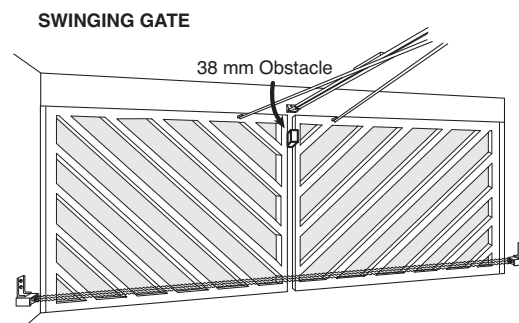
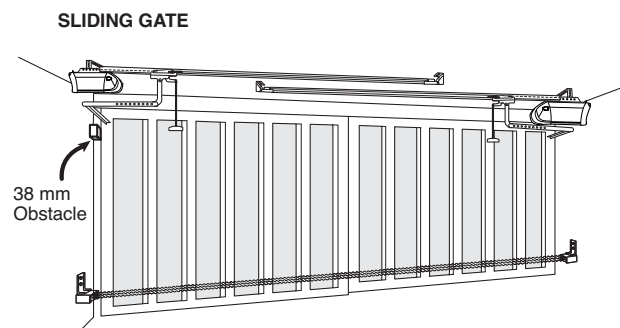
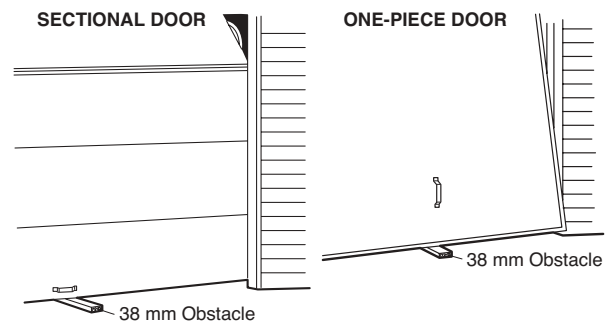
- If the gate stops on the obstruction, it is not traveling far enough in the closing direction. Increase the DOWN limit adjustment screw counterclockwise 1/4 turn. Repeat test.
- When the gate reverses on a 38 mm board, remove the obstruction and run the opener through complete travel cycle to test adjustment.

If the gate will not reverse after repeated adjustment attempts, call for professional gate service.

⚠ WARNING

Without a properly installed safety reversal system, persons (particularly small children) could be **SERIOUSLY INJURED** or **KILLED** by a closing door or gate.

- Safety reversal system **MUST** be tested every month.
- If one control (force or travel limits) is adjusted, the other control may also need adjustment.
- After **ANY** adjustments are made, the safety reversal system **MUST** be tested. Door **MUST** reverse on contact with 38 mm obstacle on the floor. Gate **MUST** reverse on contact with 38 mm obstacle at the closing edge.



OPERATION

IMPORTANT SAFETY INSTRUCTIONS

WARNING

To reduce the risk of SEVERE INJURY or DEATH:

1. READ AND FOLLOW ALL WARNINGS AND INSTRUCTIONS.
2. ALWAYS keep remote controls out of reach of children. NEVER permit children to operate or play with garage door control push buttons or remote controls.
3. ONLY activate garage door when it can be seen clearly, it is properly adjusted, and there are no obstructions to door travel.
4. ALWAYS keep garage door in sight until completely closed. NO ONE SHOULD CROSS THE PATH OF THE MOVING DOOR.
5. NO ONE SHOULD GO UNDER A STOPPED, PARTIALLY OPEN DOOR.
6. If possible, use emergency release handle to disengage trolley ONLY when garage door is CLOSED. Weak or broken springs or unbalanced door could result in an open door falling rapidly and/or unexpectedly.
7. NEVER use emergency release handle unless garage doorway is clear of persons and obstructions.
8. NEVER use handle to pull garage door open or closed. If rope knot becomes untied, you could fall.
9. If one control (force or travel limits) is adjusted, the other control may also need adjustment.
10. After any adjustments are made, the safety reversal system MUST be tested.
11. Safety reversal system MUST be tested every month. Garage door MUST reverse on contact with 38 mm obstacle on the floor.
12. ALWAYS KEEP GARAGE DOOR PROPERLY BALANCED (see page 3). An improperly balanced door may not reverse when required and could result in SEVERE INJURY or DEATH.
13. All repairs to cables, spring assemblies and other hardware, all of which are under EXTREME tension, MUST be made by a trained door systems technician.
14. ALWAYS disconnect electric power to garage door opener before making any repairs or removing covers.
15. **SAVE THESE INSTRUCTIONS.**

Using Your Garage Door Opener

Your Security+® opener and hand-held remote control have been factory-set to a matching code which changes with each use, randomly accessing over 100 billion new codes. Your opener will operate with up to fifty-four Security+® remote controls and one Security+® Keyless Entry System. If you purchase a new remote, or if you wish to deactivate any remote, follow the instructions in the *Programming* section.

Activate your opener with any of the following:

- *The hand-held Remote Control:* Hold the push button down until the door starts to move.
- *The wall-mounted Door Control:* Hold the push button or bar down until the door starts to move.
- *The Keyless Entry (See Accessories):* If provided with your garage door opener, it must be programmed before use. See *Programming*.

When the opener is activated

1. If open, the door will close. If closed, it will open.
2. If closing, the door will reverse.
3. If opening, the door will stop.
4. If the door has been stopped in a partially open position, it will close.
5. If obstructed while closing, the door will reverse.
6. If obstructed while opening, the door will stop.
7. The optional Protector System® uses an invisible beam, which, when broken by an obstruction,

causes a closing door to open and prevents an open door from closing. It is STRONGLY RECOMMENDED for homeowners with young children.

The opener lights will turn on under the following conditions: when the opener is initially plugged in; when power is restored after interruption; when the opener is activated.

They will turn off automatically after 4-1/2 minutes or provide constant light when the Light feature on the Multi-Function Door Control is activated. Bulb size is 100 watts maximum.

Timer to close feature (ONLY available when optional Protector System® is installed): The door can be programmed to close the door automatically in 10 seconds, 45 seconds, 2 minutes or 3 minutes.

The Timer to close feature is preset to the off position from the factory. To activate this feature, press and hold the Lock button on the Multi-Function Door Control until the opener light blinks once (about 10 seconds). A single blink indicates that the timer is reset to 10 seconds. Repeat the procedure and the light will blink twice, resetting the timer to 45 seconds. Repeat again for a 2 minute interval, etc., up to a maximum of four blinks and 3 minutes.

To deactivate, set the timer to 3 minutes. Press and hold the Lock button on the Multi-Function Door Control again for 10 seconds. The opener light will blink 5 times. This feature is now deactivated.

Using the Wall-Mounted Door Control

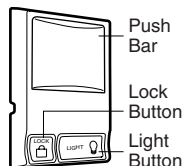
THE LIGHTED DOOR CONTROL BUTTON (MODEL 1215E)

Press the button to open or close the door. Press again to reverse the door during the closing cycle or to stop the door while it's opening.



THE MULTI-FUNCTION DOOR CONTROL (MODEL 1225E)

Press the push bar to open or close the door. Press again to reverse the door during the closing cycle or to stop the door while it's opening.



Light feature

Press the Light button to turn the opener light on or off. It will not control the opener lights when the door is in motion. If you turn it on and then activate the opener, the light will remain on for 4-1/2 minutes. Press again to turn it off sooner.

Lock feature

Designed to prevent operation of the door from hand-held remote controls. However, the door will open and close from the Door Control, the Outside Keylock and the Keyless Entry Accessories.

To activate, press and hold the Lock button for 2 seconds. The push bar light will flash as long as the Lock feature is on.

To turn off, press and hold the Lock button again for 2 seconds. The push bar light will stop flashing. The Lock feature will also turn off whenever the "Learn" button on the motor unit panel is activated.

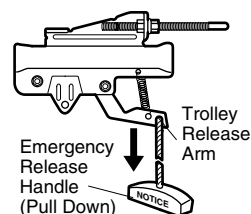
To Open the Door Manually

⚠ WARNING

To prevent possible SERIOUS INJURY or DEATH from a falling garage door:

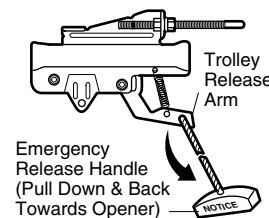
- If possible, use emergency release handle to disengage trolley ONLY when garage door is CLOSED. Weak or broken springs or unbalanced door could result in an open door falling rapidly and/or unexpectedly.
- NEVER use emergency release handle unless garage doorway is clear of persons and obstructions.
- NEVER use handle to pull door open or closed. If rope knot becomes untied, you could fall.

The door should be fully closed if possible. Pull down on the emergency release handle and lift the door manually. To reconnect the door to the opener, press the door control button.



MANUAL DISCONNECT POSITION

The *lockout feature* prevents the trolley from reconnecting automatically. Pull the emergency release handle down and back (toward the opener). The door can then be raised and lowered manually as often as necessary. To disengage the lockout feature, pull the handle straight down. The trolley will reconnect on the next UP or DOWN operation.



LOCKOUT POSITION

Care of Your Opener

LIMIT AND FORCE ADJUSTMENTS

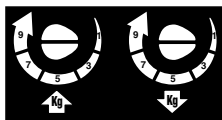
Weather conditions may cause some minor changes in door operation requiring some readjustments, particularly during the first year of operation.

Pages 29 and 30 refer to the limit and force adjustments. Only a screwdriver is required. Follow the instructions carefully.

Repeat the safety reverse test (page 31) after any adjustment of limits or force.



LIMIT CONTROLS
(Left side panel)



Open Force Close Force
FORCE CONTROLS
(Back panel)

MAINTENANCE SCHEDULE

Once a Month

- Manually operate door. If it is unbalanced or binding, call a trained door systems technician.
- Check to be sure door opens & closes fully. Adjust limits and/or force if necessary. (See pages 29 and 30.)
- Repeat the safety reverse test. Make any necessary adjustments. (See page 31.)

Twice a Year

- Check chain tension. Disconnect trolley first. Adjust if necessary. (See page 15.)

Once a Year

- Oil door rollers, bearings and hinges. The opener does not require additional lubrication. Do not grease the door tracks.

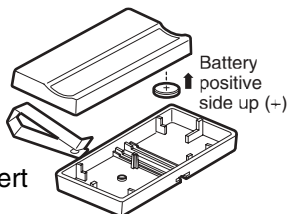
THE REMOTE CONTROL BATTERY

⚠ WARNING

- To prevent possible **SERIOUS INJURY** or **DEATH**:
- NEVER allow small children near batteries.
 - If battery is swallowed, immediately notify doctor.

The lithium battery should produce power for up to 5 years. To replace battery, use the visor clip or screwdriver blade to pry open the case as shown. Insert battery positive side up (+).

Dispose of old battery properly.



NOTICE: To comply with FCC and/or Industry Canada (IC) rules, adjustment or modifications of this receiver and/or transmitter are prohibited, except for changing the code setting or replacing the battery. THERE ARE NO OTHER USER SERVICEABLE PARTS.

Tested to Comply with FCC Standards FOR HOME OR OFFICE USE. Operation is subject to the following two conditions: (1) this device may not cause harmful interference, and (2) this device must accept any interference received, including interference that may cause undesired operation.

Having a Problem?

1. The opener doesn't operate from either the Door Control or the remote control:

- Does the opener have electric power? Plug a lamp into the outlet. If it doesn't light, check the fuse box or the circuit breaker. (Some outlets are controlled by a wall switch.)
- Have you disabled all door locks? Review installation instruction warnings on page 15.
- Is there a build-up of ice or snow under the door? The door may be frozen to the ground. Remove any restriction.
- The garage door spring may be broken. Have it replaced.
- Repeated operation may have tripped the overload protector in the motor. Wait 15 minutes and try again.

2. Opener operates from the remote, but not from the Door Control:

- Is the door control lit? If not, reverse the wires. If the opener runs, check for a faulty wire connection at the door control, a short under the staples, or a broken wire.
- Are the wiring connections correct? Review *Installation Step 6*.

3. The door operates from the Door Control, but not from the remote control:

- Is the door push bar flashing? If your model has the Lock feature, make sure it is off.
- Program the opener to match the remote control code. (Refer to instructions on the motor unit panel.) Repeat with all remotes.

4. The remote control has short range:

- Change the location of the remote control in your car.
- Check to be sure the antenna on the side or back panel of motor unit extends fully downward.
- Some installations may have shorter range due to a metal door, foil backed insulation, or metal garage siding.

5. Opener noise is disturbing in living quarters of home:

- If operational noise is a problem because of proximity of the opener to the living quarters, the Vibration Isolator Kit 89LM can be installed. This kit was designed to minimize vibration to the house and is easy to install.

Having a Problem? (Continued)

6. The garage door opens and closes by itself:

- Be sure that all remote control push buttons are off.
- Remove the bell wire from the door control terminals and operate from the remote only. If this solves the problem, the door control is faulty (replace), or there is an intermittent short on the wire between the door control and the motor unit.
- Clear memory and re-program all remote controls.

7. The door doesn't open completely:

- Is something obstructing the door? Is it out of balance, or are the springs broken? Remove the obstruction or repair the door.
- If the door is in good working order but now doesn't open all the way, increase the up force. See *Adjustment Step 2*.
- If the door opens at least 1.5 m, the travel limits may need to be increased. One turn equals 5 cm of travel. See *Adjustment Step 1*.

Repeat the safety reverse test after the adjustment is complete.

8. The door stops but doesn't close completely:

- Review the travel limits adjustment procedures on page 29.

Repeat the safety reverse test after any adjustment of door arm length, close force or down limit.

9. The door reverses for no apparent reason and opener lights don't blink:

- Is something obstructing the door? Pull the emergency release handle. Operate the door manually. If it is unbalanced or binding, call a trained door systems technician.
- Clear any ice or snow from the garage floor area where the door closes.
- Review *Adjustment Step 2*.
- If door reverses in the fully closed position, decrease the travel limits (*Adjustment Step 1*).

Repeat safety reverse test after adjustments to force or travel limits. The need for occasional adjustment of the force and limit settings is normal. Weather conditions in particular can affect door travel.

10. The opener lights don't turn on:

- Replace the light bulbs (100 watts maximum). Use a standard neck garage door opener bulb if regular bulb burns out.

11. The opener lights don't turn off:

- Is the Light feature on? Turn it off.

12. The opener strains or maximum force is needed to operate door:

- The door may be out of balance or the springs may be broken. **Close the door** and use the emergency release handle to disconnect the trolley. Open and close the door manually. A properly balanced door will stay in any point of travel while being supported entirely by its springs. If it does not, disconnect the opener and call a trained door systems technician. **Do not increase the force to operate the opener.**

13. The opener motor hums briefly, then won't work:

- The garage door springs may be broken. See above.
- If the problem occurs on the first operation of the opener, door may be locked. Disable the door lock.

Repeat the safety reverse test after the adjustment is complete.

14. The opener won't operate due to power failure:

- Use the emergency release handle to disconnect the trolley. The door can be opened and closed manually. When power is restored, press the Door Control push bar and trolley will automatically reconnect (unless trolley is in lockout position.) See page 33.
- The Outside Quick Release accessory (for use on garages with no service door) disconnects the trolley from outside the garage in case of power failure.

15. The chain droops or sags:

- It is normal for the chain to droop slightly in the closed door position. Use the emergency release rope and handle to disconnect the trolley. If the chain returns to the normal height when the trolley is disengaged, and the door reverses on a 38 mm obstruction, no adjustments are needed. (See page 15.)

PROGRAMMING

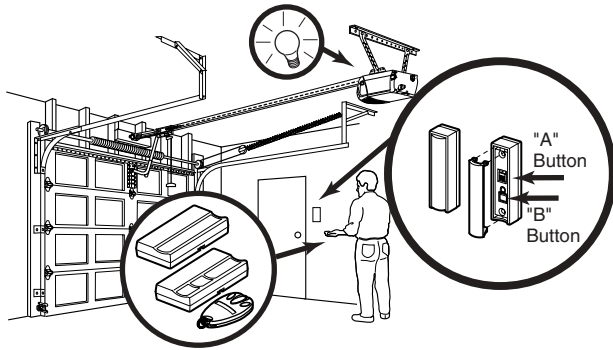
NOTICE: If this Security+® garage door opener is operated with a non-rolling code transmitter, the technical measure in the receiver of the garage door opener, which provides security against code-theft devices, will be circumvented. The owner of the copyright in the garage door opener does not authorize the purchaser or supplier of the non-rolling code transmitter to circumvent that technical measure.

Your garage door opener has already been programmed at the factory to operate with your hand-held remote control. The door will open and close when you press the large push button.

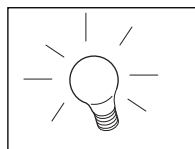
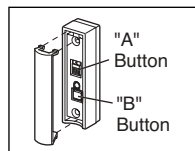
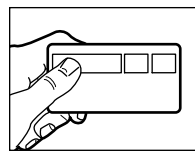
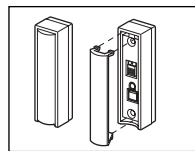
Below are instructions for programming your opener to operate with additional Security+® remote controls.

To Add or Reprogram a Hand-held Remote Control

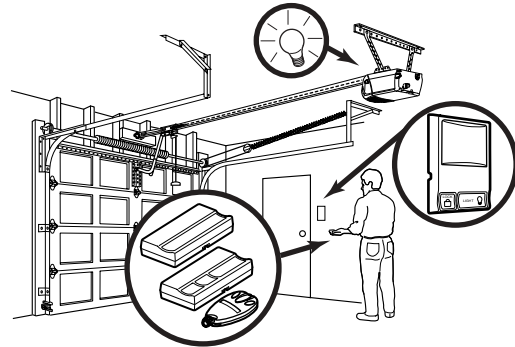
USING THE LIGHTED DOOR CONTROL



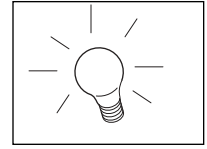
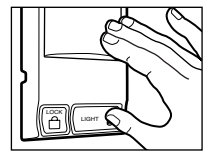
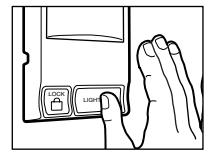
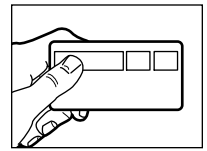
1. Remove the cover from the Lighted Door Control.
2. Press and hold the button on the hand-held remote* that you wish to operate your garage door.
3. While holding the remote button, press and hold the "A" button on the Lighted Door Control.
4. Continue holding both buttons while you press the "B" button on the Lighted Door Control (all three buttons are held).
5. Release buttons when the motor unit lights blink. It has learned the code. If light bulbs are not installed, two clicks will be heard.



USING THE MULTI-FUNCTION DOOR CONTROL



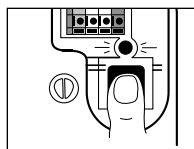
1. Press and hold the button on the hand-held remote* that you wish to operate your garage door.
2. While holding the remote button, press and hold the LIGHT button on the Multi-Function Door Control.
3. Continue holding both buttons while you press the push bar on the Multi-Function Door Control (all three buttons are held).
4. Release buttons when the motor unit lights blink. It has learned the code. If light bulbs are not installed, two clicks will be heard.



To Erase All Codes From Motor Unit Memory

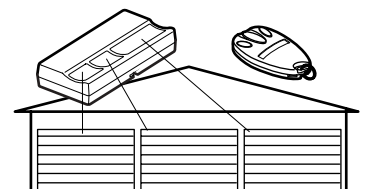
To deactivate any unwanted remote, first erase all codes:

Press and hold the "learn" button on motor unit until the learn indicator light goes out (approximately 6 seconds). All previous codes are now erased. Reprogram each remote or keyless entry you wish to use.



*3-Button Remote Controls

If provided with your garage door opener, the large button is factory programmed to operate it. Additional buttons on any Security+® 3-Button remote or mini-remote can be programmed to operate other Security+® garage door openers.



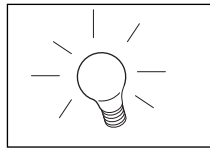
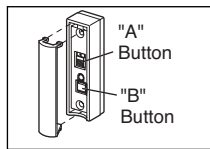
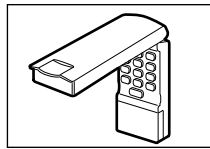
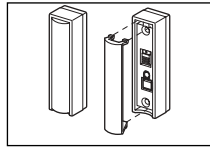
To Add, Reprogram or Change a Keyless Entry PIN

NOTE: Your new Keyless Entry must be programmed to operate your garage door opener.

USING THE LIGHTED DOOR CONTROL

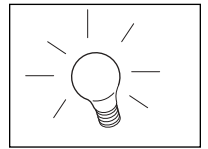
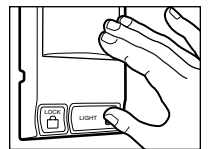
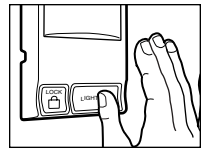
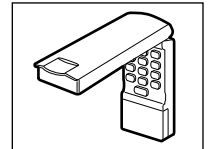
NOTE: These methods requires two people if the Keyless Entry is already mounted outside the garage.

1. Remove the cover from the Lighted Door Control.
2. Enter a four digit personal identification number (PIN) of your choice on the keypad. Then press and hold ENTER.
3. While holding the ENTER button, press and hold the "A" button on the Lighted Door Control.
4. Continue holding the ENTER and "A" buttons while you press the "B" button on the Lighted Door Control (all three buttons are held).
5. Release buttons when the motor unit lights blink. It has learned the code. If light bulbs are not installed, two clicks will be heard.



USING THE MULTI-FUNCTION DOOR CONTROL

1. Enter a four digit personal identification number (PIN) of your choice on the keypad. Then press and hold ENTER.
2. While holding the ENTER button, press and hold the LIGHT button on the Multi-Function Door Control.
3. Continue holding the ENTER and LIGHT buttons while you press the push bar on the Multi-Function Door Control (all three buttons are held).
4. Release buttons when the motor unit lights blink. It has learned the code. If light bulbs are not installed, two clicks will be heard.



To change an existing, known PIN

If the existing PIN is known, it may be changed by one person without using a ladder.

1. Press the four buttons for the present PIN, then press and hold the # button.
The opener light will blink twice. Release the # button.

2. Press the new 4-digit PIN you have chosen, then press ENTER.

The motor unit lights will blink once when the PIN has been learned.

Test by pressing the new PIN, then press ENTER. The door should move.

To set a temporary PIN

You may authorize access by visitors or service people with a temporary 4-digit PIN. After a programmed number of hours or number of accesses, this temporary PIN expires and will no longer open the door. It can be used to *close* the door even after it has expired. To set a temporary PIN:

1. Press the four buttons for your personal entry PIN (not the last temporary PIN), then press and hold the * button.

The opener light will blink three times. Release the button.

2. Press the temporary 4-digit PIN you have chosen, then press ENTER.

The opener light will blink four times.

3. To set the number of **hours** this temporary PIN will work, press the number of hours (up to 255), then press *.

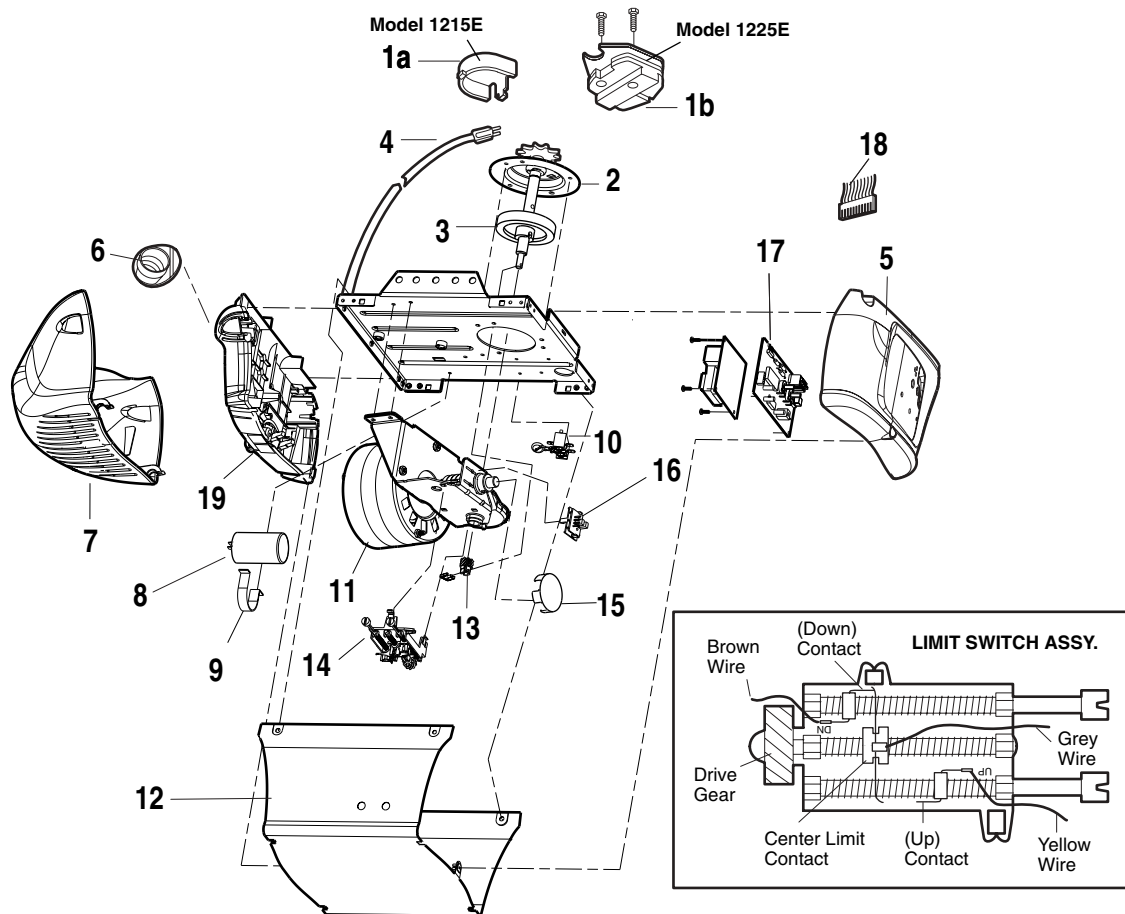
OR

3. To set the number of **times** this temporary PIN will work, press the number of times (up to 255), then press #.

The opener light will blink once when the temporary PIN has been learned.

Test by pressing the four buttons for the temporary PIN, then press ENTER. The door should move. If the temporary PIN was set to a certain number of openings, remember that the test has used up one opening. To clear the temporary password, repeat steps 1-3, setting the number of hours or times to 0 in step 3.

Motor Unit Assembly Parts



KEY NO.	PART NO.	DESCRIPTION	KEY NO.	PART NO.	DESCRIPTION
1a	31D380	Sprocket cover (Model 1215E)	13	81C253	Limit switch drive & retainer
1b	41A4208-2	Chain spreader (Model 1225E)	14	41A5640	Limit switch assembly
2	41C4206-2	Gear and sprocket assy. (Model 1225E)	15	41A2822-1	Interrupter cup assembly
	41C4798-2	Gear and sprocket assembly (Model 1215E) Complete with: Spring washer, thrust washer, retaining ring, bearing plate, roll pins (2), drive gear and worm gear, helical gear w/retainer and grease	16	41C4398A	RPM sensor assembly
3	41A2817	Drive/worm gear kit w/grease, roll pins (2)	17	41A5629-1A	Receiver logic board assy. (Model 1225E)
4	41B4245	Line cord		41A5629-2A	Receiver logic board assy. (Model 1215E)
5	41A5484-7	End panel w/all labels	18	41C5497	High voltage wire harness assy.
6	4A1344	Light socket		41C5498	Low voltage wire harness assy.
7	108D68	Lens	19a	41D180-1	End panel w/all labels (1225E)
8	30B532	Capacitor - 1/2 HP	19b	41D181	End panel w/all labels (1215E)
9	12A373	Capacitor bracket			NOT SHOWN
10	41A3150	Terminal block w/screws			Motor shaft bearing kit
11	41D3058	Universal replacement motor & bracket assembly			Opener assembly hardware kit (includes screws not designated by a number in illustration)
12	41A5525-1	Cover		971-315LM	Single-Button remote control
				12A20	3V2032 Lithium battery
				29B137	Transmitter visor clip
				41A2828	Emergency release rope & handle assembly
				114A2739	Owner's Manual

ACCESSORIES

970LM



3-Button Mini-Remote Control with Security+®:

With key ring and fastening strip.

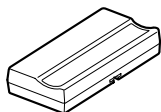
1702E



Outside Quick Release:

Required for a garage with NO access door. Enables homeowner to open garage door manually from outside by disengaging trolley.

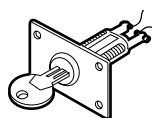
971LM



1-Button Security+® Remote Control:

Includes visor clip.

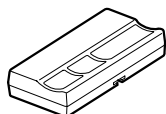
760E



Outside Keylock:

Operates the garage door automatically from the outside when remote control is not handy.

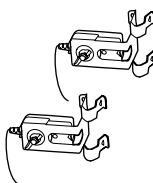
973LM



3-Button Security+® Remote Control:

Includes visor clip.

99E



The Protector System®:

Provides auxiliary support to the safety features built into your opener. The system's invisible beam, when broken by an obstruction, causes a closing door to open and prevents an open door from closing.

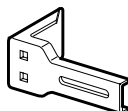
98LM



Motion Detecting Control:

Multi-function door control with motion sensor that automatically turns opener lights on for 5 minutes when it detects a person entering the garage. Sensor can be easily deactivated when desired.

41A5281



Extension Brackets:

(Optional) For safety sensor installation onto the wall or floor.

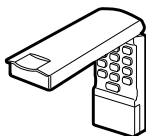
To order call:

630-516-8423 (USA)

5333-9974 (In Mexico City)

01-800-500-9300 (Toll Free in Mexico)

976LM



Wireless Keyless Entry with Security+®:

Enables homeowner to operate garage door opener from outside by entering a password on a specially designed keyboard. Also can add a temporary password for visitors or service persons. This temporary password can be limited to a programmable number of hours or entries.

LIFTMASTER SERVICE IS ON CALL

INSTALLATION AND SERVICE INFORMATION IS AS NEAR AS YOUR TELEPHONE. SIMPLY DIAL:

630-516-8423 Worldwide in USA
01-800-500-9300 Toll Free in Mexico
5333-9974 In Mexico City

For professional installation, parts and service, contact your local LIFTMASTER dealer. Look for him in the Yellow Pages, or call our Service number for a list of dealers in your area.

HOW TO ORDER REPAIR PARTS

Selling prices will be furnished on request or parts will be shipped at prevailing prices and you will be billed accordingly.

WHEN ORDERING REPAIR PARTS, ALWAYS GIVE THE FOLLOWING INFORMATION:

- PART NUMBER
- PART NAME
- MODEL NUMBER

ADDRESS ORDERS TO:
THE CHAMBERLAIN GROUP, INC.
Latin America Department,
845 Larch Avenue
Elmhurst, IL 60126, USA

TEL.: 630-516-8423 Worldwide in USA
FAX: 630-993-6916 Worldwide in USA
TEL.: 5333-9974 In Mexico City
TEL.: 01-800-500-9300 Toll Free in Mexico

LIFTMASTER GARAGE DOOR OPENER ONE-YEAR LIMITED WARRANTY

The Chamberlain/LiftMaster ("Seller") warrants to the first retail purchaser of this product that it is free from defect in materials and/or workmanship for a period of one year from the date of purchase. **The proper operation of this product is dependent on your compliance with the Owner's Manual instructions regarding installation, operation, maintenance and testing. Failure to comply strictly with those instructions will void this warranty in its entirety. Please note that the safety reverse system, in order to operate properly with your garage door, must be adjusted and periodically tested in accordance with the Owner's Manual.**

If, during the limited warranty period, it appears as though this product contains a defect which is covered by this limited warranty, **call our service number or the servicing distributor in your area, before dismantling this product.** Then send this product, pre-paid and insured, to the designated service center for warranty repair. You will be advised of shipping instructions when you call the service number. Please include a brief description of the problem and a dated proof-of-purchase receipt with any product that is returned for warranty repair.

Products returned to Seller for warranty repair, which upon receipt by Seller are confirmed to be defective and covered by this limited warranty, will be repaired or replaced (at Seller's sole option) at no cost to you and returned pre-paid. Defective parts will be repaired or replaced with new or factory-rebuilt parts at Seller's sole option.

THIS LIMITED WARRANTY IS IN LIEU OF ANY OTHER WARRANTIES, EXPRESS OR IMPLIED, INCLUDING ANY IMPLIED WARRANTY OF MERCHANTABILITY OR FITNESS FOR A PARTICULAR PURPOSE, OR OTHERWISE, AND OF ANY OTHER OBLIGATIONS OR LIABILITY ON SELLER'S PART. THIS LIMITED WARRANTY DOES NOT COVER NON-DEFECT DAMAGE, DAMAGE CAUSED BY IMPROPER INSTALLATION, OPERATION OR CARE (INCLUDING, BUT NOT LIMITED TO ABUSE, MISUSE, FAILURE TO PROVIDE REASONABLE AND NECESSARY MAINTENANCE, USE OF UNAUTHORIZED PARTS OR ACCESSORIES, UNAUTHORIZED REPAIRS, OR ANY ALTERATIONS TO THIS PRODUCT), LABOR CHARGES FOR DISMANTLING OR REINSTALLING A REPAIRED OR REPLACED UNIT, REPLACEMENT OF BATTERIES AND LIGHT BULBS, OR UNITS INSTALLED FOR NON-RESIDENTIAL USE. THE USE OF UNAUTHORIZED PARTS OR ACCESSORIES WILL VOID THIS LIMITED WARRANTY. If you have any questions as to whether accessories or replacement parts are authorized, please contact Chamberlain.

UNDER NO CIRCUMSTANCES SHALL SELLER BE LIABLE FOR CONSEQUENTIAL, INCIDENTAL OR SPECIAL DAMAGES ARISING IN CONNECTION WITH THE USE, OR INABILITY TO USE, THIS PRODUCT. IN NO EVENT SHALL SELLER'S LIABILITY FOR BREACH OF WARRANTY, BREACH OF CONTRACT, NEGLIGENCE OR STRICT LIABILITY EXCEED THE COST OF THE PRODUCT COVERED HEREBY. NO PERSON IS AUTHORIZED TO ASSUME FOR US ANY OTHER LIABILITY IN CONNECTION WITH THE SALE OF THIS PRODUCT.

Some states do not allow the exclusion or limitation of consequential, incidental or special damages, so the above limitation or exclusion may not apply to you. This limited warranty gives you specific legal rights, and you may also have other rights which vary from state to state.

LIMITED WARRANTY ON MOTOR

Model Series 1225E FS2: The motor is warranted to be free from any defect in materials and/or workmanship for a period of 60 full months (5 years) from the date of purchase.

Model Series 1215E FS2: The motor is warranted to be free from any defect in materials and/or workmanship for a period of 48 full months (4 years) from the date of purchase.

CHAMBERLAIN®

LiftMaster®

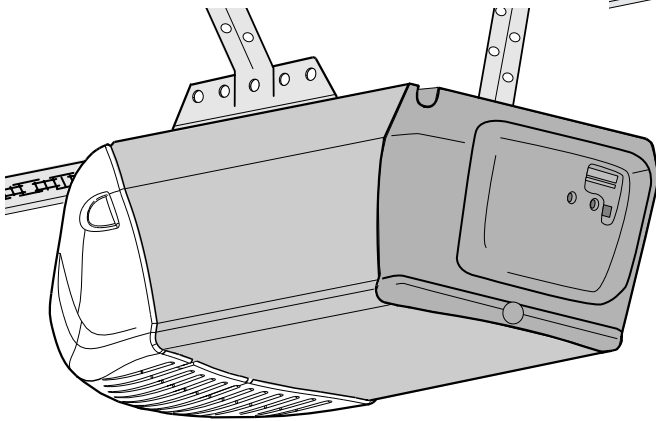
PROFESSIONAL

The Chamberlain Group, Inc.
845 Larch Avenue
Elmhurst, Illinois 60126-1196

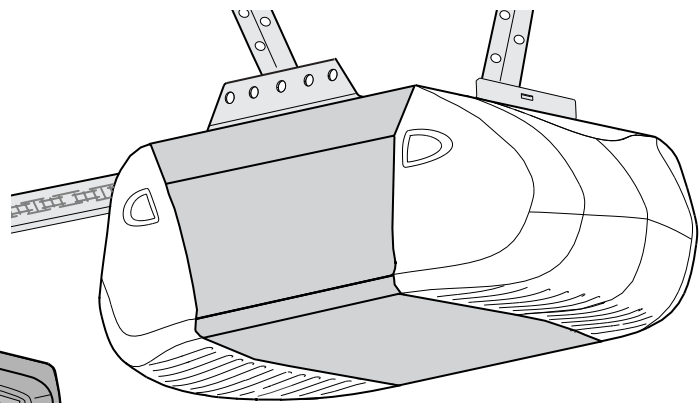
SECURITY+®

ABRE-PUERTAS DE GARAJE

Sólo para uso residencial



Modelo 1215E FS2



Modelo 1225E FS2

Manual del propietario

- ¡Favor de leer cuidadosamente este manual y los materiales de seguridad anexos!
- Guarde este manual cerca de la puerta del garaje.
- Se deben realizar revisiones periódicas del abre-puertas para asegurar su operación segura.
- La etiqueta con el número de modelo de su abre-puertas de garaje está en el panel delantero.

CONTENIDO

Introducción	2-8	Ajustes	29-31
Revisión de los símbolos y términos de seguridad.....	2	Ajuste el límite del recorrido.....	29
Preparación de la puerta de su garaje.....	3	Ajuste la fuerza.....	30
Herramientas necesarias	3	Pruebe el sistema de reversa de seguridad	31
Planificación	4-6	Operación	32-35
Inventario de las cajas de cartón	7	Instrucciones de seguridad para la operación.....	32
Inventario de piezas	8	Cómo usar el abre-puertas de garaje.....	32
Ensamblado	9-15	Cómo usar la unidad de control de pared	33
Ensamblar el riel y sujetar la ménsula	9-10	Cómo abrir la puerta manualmente	33
Instalar el carro	11	Mantenimiento de su abre-puertas de garaje	34
Fijar riel a abre-puertas	12	Si tiene algún problema.....	34-35
Instalar la cadena y colocar la cubierta de la polea.....	13-14	Programación	36-37
Apretar la cadena	15	Cómo agregar o reprogramar un control remoto	36
Instalación	15-28	Cómo borrar todos los códigos	36
Instrucciones de seguridad para la instalación	15	Controles remotos de 3 botones	36
Determine dónde va a instalar la ménsula del cabezal	16-17	Agregar, reprogramar o cambiar un código de llave digital.....	37
Instale la ménsula del cabezal	18	Piezas de la Unidad del Motor	38
Coloque el riel en la ménsula del cabezal	19	Accesorios	39
Coloque el abre-puertas.....	20	Números de Servicio	40
Cuelgue el abre-puertas.....	21	Garantía	40
Instale la consola de control premium	22		
Instale el foco	23		
Instale la manija y la cuerda de emergencia	23		
Requisitos para la instalación eléctrica	24		
Sujete la ménsula de la puerta	25-26		
Conecte el brazo de la puerta al carro	27-28		

INTRODUCCIÓN

Revisión de los símbolos y términos de seguridad

Este abre-puertas de garaje ha sido diseñado para un funcionamiento seguro, siempre y cuando se instale, se pruebe, se opere y se le dé mantenimiento como se indica a lo largo de este manual, cumpliendo al pie de la letra con todas las advertencias e instrucciones generales aquí contenidas.

ADVERTENCIA

Mecánica

ADVERTENCIA

Eléctrica

PRECAUCIÓN

Estas advertencias y/o símbolos de seguridad que aparecen a lo largo de este manual le alertarán de la existencia de riesgo de **una lesión seria o de muerte** si no se siguen las instrucciones correspondientes. El peligro puede ser eléctrico (electrocución) o mecánico. Lea las instrucciones con mucho cuidado.

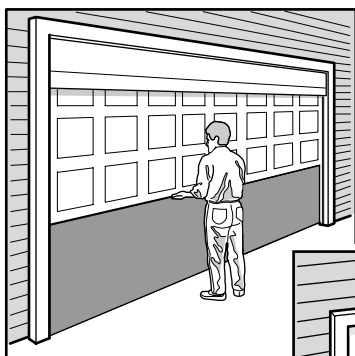
Cuando vea esta palabra y/o símbolo de seguridad a lo largo de este manual le alertará de que existe el riesgo de dañar la puerta del garaje y/o el abre-puertas si no se siguen las instrucciones correspondientes. Lea las instrucciones con mucho cuidado.

Preparación de la puerta del garaje

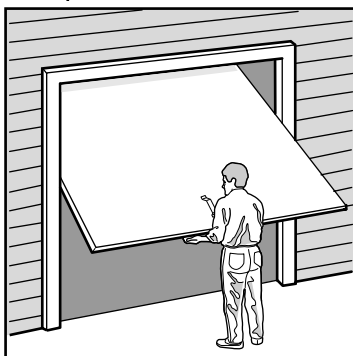
Antes de comenzar:

- Desarme las cerraduras.
- Retire cualquier cuerda o cable que esté conectado a la puerta.
- **Haga la siguiente prueba** con su puerta para verificar que esté equilibrada y que no se atore ni se atasque:
 1. Levante la puerta hasta la mitad de su recorrido como se muestra. Suelte la puerta, éste deberá mantenerse en esa posición con sólo el soporte de los resortes.
 2. Suba y baje la puerta; observe si se atora con algo o si se atasca.

Si su puerta se atora o se atasca, llame a un técnico profesional para que la repare.



Puerta seccional



Puerta de una sola pieza

⚠ ADVERTENCIA

Para evitar una LESIÓN GRAVE O INCLUSO LA MUERTE:

- SIEMPRE llame a un técnico profesional para que arregle la puerta del garaje si éste se atora, se atasca, o está desequilibrada. Es posible que una puerta de garaje que no esté bien equilibrado no retroceda cuando se requiera.
- NUNCA intente aflojar, mover ni ajustar la puerta de su garaje, los resortes la puerta, los cables, las poleas, las ménsulas ni los tornillos, pues todos estos elementos están bajo tensión EXTREMA.
- Quitar TODOS los seguros y retirar TODAS las cuerdas conectadas a la puerta del garaje ANTES de instalar y operar el abre-puertas de garaje para evitar que se enreden.

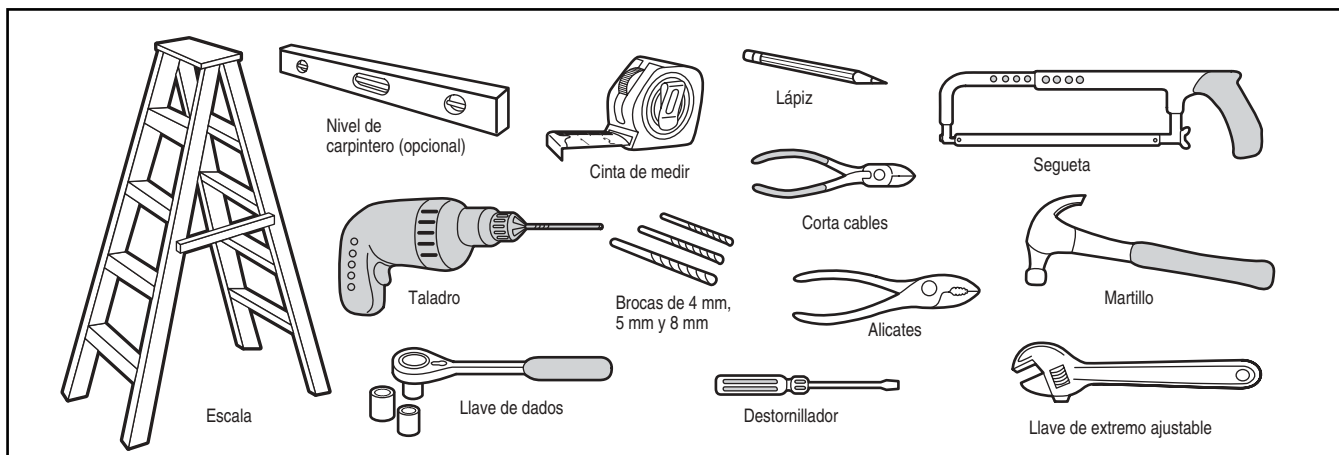
PRECAUCIÓN

Para evitar daños a la puerta y al abre-puertas:

- SIEMPRE desarme las cerraduras ANTES de instalar y/o de operar el abre-puertas.
- SOLAMENTE opere el abre-puertas de garaje con corriente de 120V 60 Hz con objeto de evitar su mal funcionamiento y que el abre-puertas se dañe.

Herramientas necesarias

Durante el montaje, instalación y ajuste del abre-puertas, las instrucciones e indicarán usar las herramientas que aparecen en la siguiente ilustración.



Planificación

Identifique la altura y el tipo de puerta de garaje que tiene. Revise el área de su garaje y observe si alguna de las siguientes instalaciones corresponden a la suya. A veces se requieren materiales adicionales, así que tal vez sea conveniente tener esta hoja y las ilustraciones correspondientes a la mano cuando inicie la instalación de su abre-puertas.

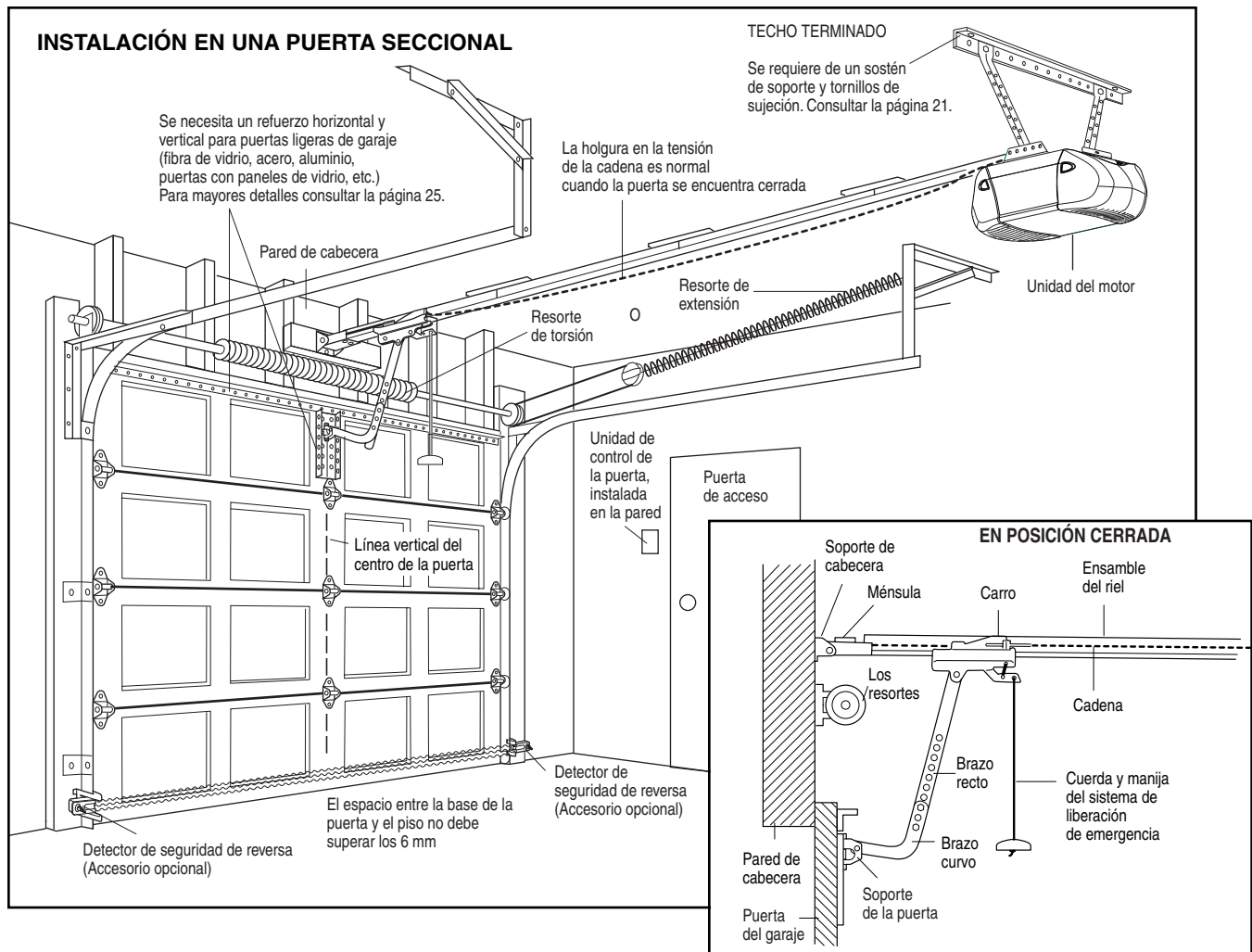
Dependiendo de sus necesidades individuales, es posible que en algunos casos vayan a necesitar materiales o herramientas que no se incluyen con este producto.

- Instalación Paso 1 – Observe la pared o el cielo raso justo arriba de la puerta del garaje. La ménsula del cabezal debe de estar firmemente sujeta a los soportes de la estructura.
- Instalación Paso 5 – Si el plafón o cielo raso de su garaje tiene acabados, es posible que necesite una ménsula de soporte y/o más pernos y pernería para la instalación.
- ¿Hay otra puerta que dé acceso al garaje? Si no es así, será necesario contar con el Desenganchador exterior rápido, Modelo 1702E. Vea la página de Accesorios.

- Observe el punto donde la puerta hace contacto con el piso. El espacio entre la base de la puerta y el piso no debe exceder 6 mm. Si no es así, se corre el riesgo de que el sistema de reversa de emergencia no funcione correctamente. Vea Ajustes, Paso 3. Va a ser necesario reparar ya sea el piso o la puerta.

INSTALACIÓN CON UNA PUERTA SECCIONAL

- Si tiene una puerta de aluminio, fibra de vidrio, o con paneles de vidrio, va a necesitar refuerzos verticales y horizontales de la puerta. (Instalación, Paso 10).
- El abre-puertas se debe instalar arriba del centro de la puerta, pero si existe algún resorte de tensión o placa de apoyo en el paso de la ménsula del cabezal, se puede instalar hasta a 1.2 m a la derecha o a la izquierda del centro de la puerta. Vea Instalación, Pasos 1 al 10.



Planificación (continuación)

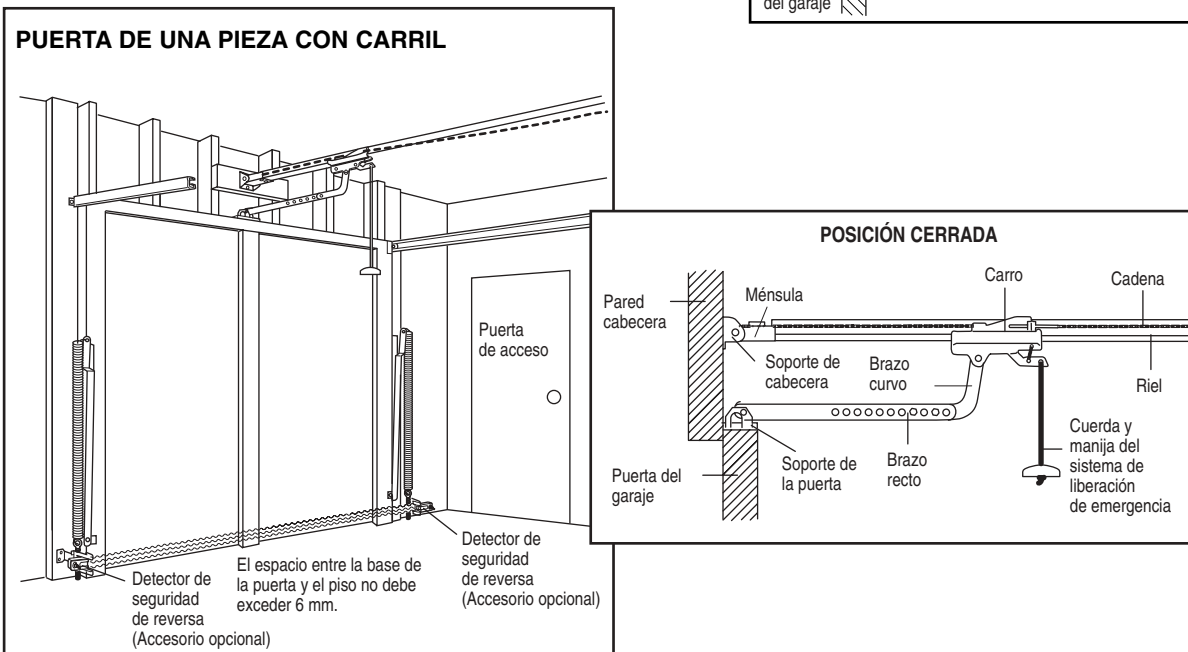
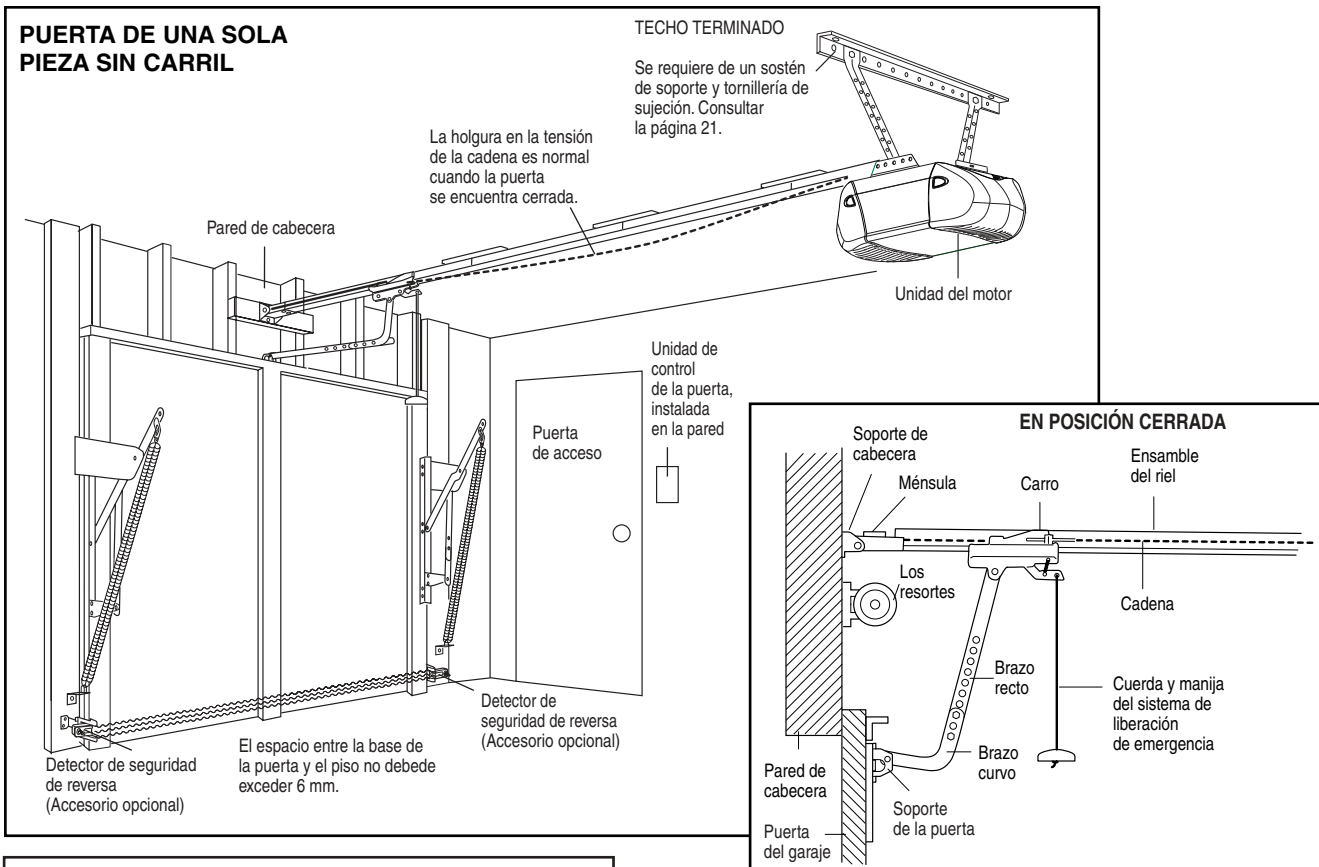
INSTALACIÓN EN PUERTAS DE UNA SOLA PIEZA

- Generalmente una puerta de una sola pieza no requiere de refuerzos adicionales. Si usted tiene una puerta de material liviano y quiere reforzarla, consulte la información respecto a puertas seccionales, contenida en Instalación, Paso 10.
- Dependiendo del diseño de su puerta, tal vez necesite piezas o sujetadores adicionales para la ménsula de la puerta (Paso 10).

⚠ ADVERTENCIA

Sin un sistema de reversa de seguridad que funcione debidamente, al cerrar la puerta del garaje se corre el riesgo de que las personas (y en particular los niños pequeños) sufran LESIONES GRAVES O INCLUSO LA MUERTE.

- El espacio entre la base de la puerta del garaje y el piso NO DEBE exceder 6 mm. De no ser así, el sistema de reversa de seguridad no va a funcionar debidamente.
- El piso o la puerta del garaje SE DEBE reparar para eliminar este espacio.



Planificación (continuación)

INSTALACIÓN DEL ABRE-PUERTAS

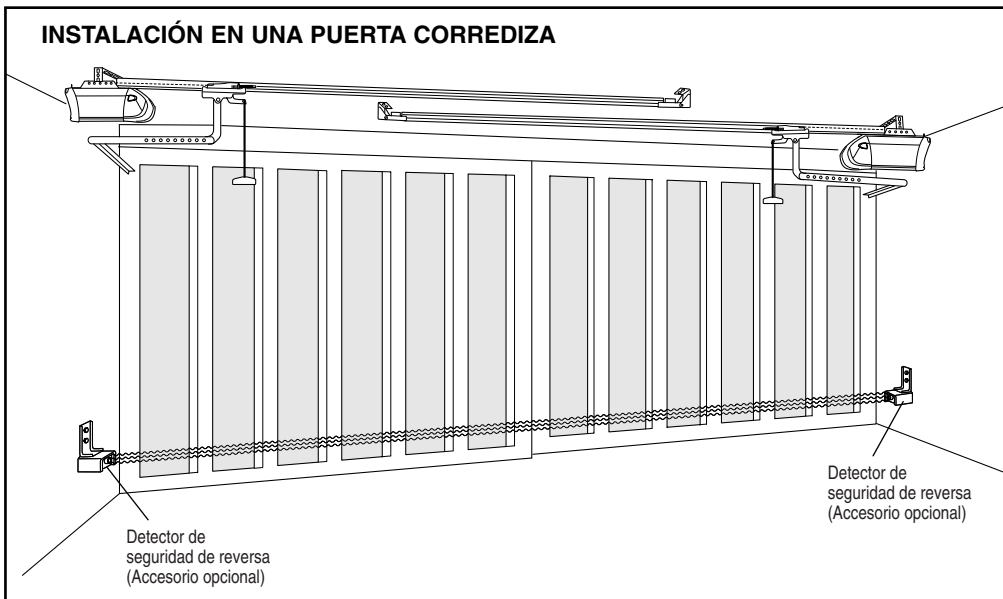
- Se recomienda colocar una malla fina a través de la puerta corrediza o batiente, con el objeto de evitar que cualquier intruso alcance el botón de control o el brazo que desengancha el carrito.
- El chasis del abre-puertas estar protegido contra la lluvia y/o la humedad.

⚠ ADVERTENCIA

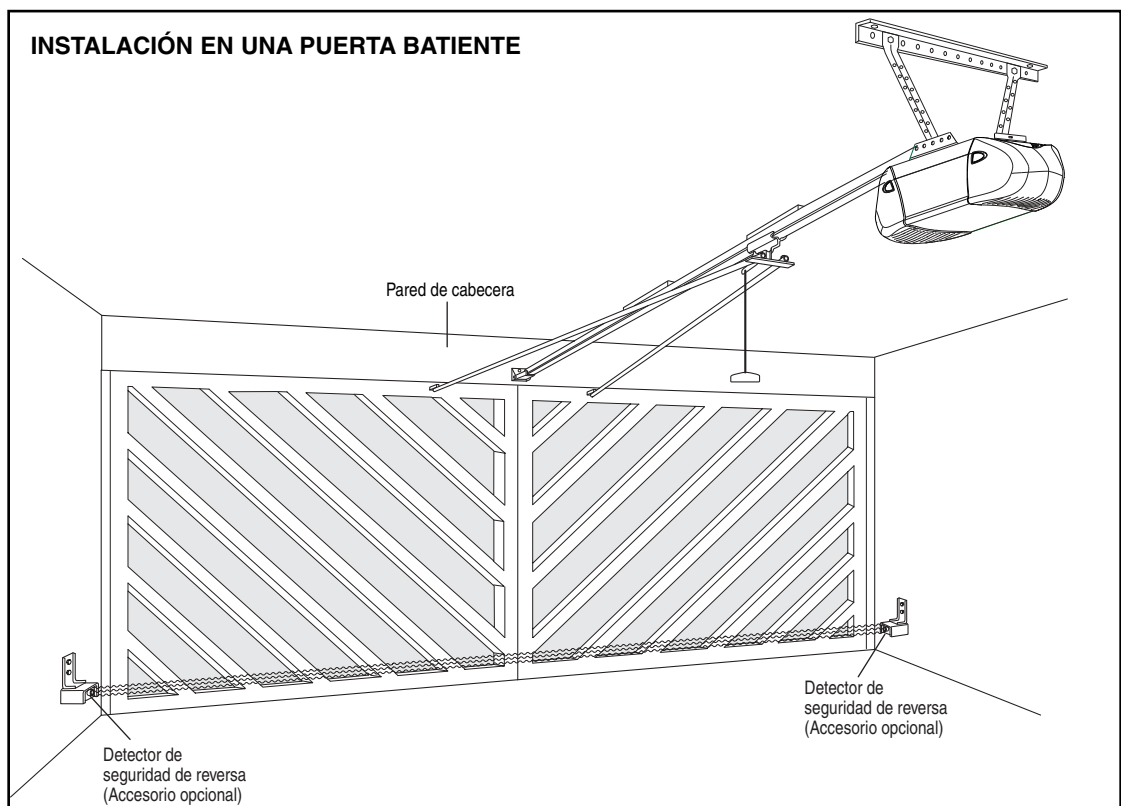
Sin un sistema de retroceso que funcione de manera segura, las personas (en especial los niños pequeños) podrían resultar **GRAVEMENTE HERIDAS** o **MORIR** al cerrar la puerta.

- **ACTIVE** la puerta **SÓLO** cuando la vea bien y no presente obstrucciones.
- Vigile **SIEMPRE** la puerta hasta que esté completamente cerrada. **NUNCA** permita que alguien cruce el trayecto de la puerta que se encuentra en movimiento.
- Mantenga **SIEMPRE** la puerta en buenas condiciones y asegúrese de que se mueve libremente. Es posible que una puerta que no se ha mantenido en forma apropiada no retroceda cuando se necesite y pueda provocar **HERIDAS GRAVES** o la **MUERTE**.

INSTALACIÓN EN UNA PUERTA CORREDIZA



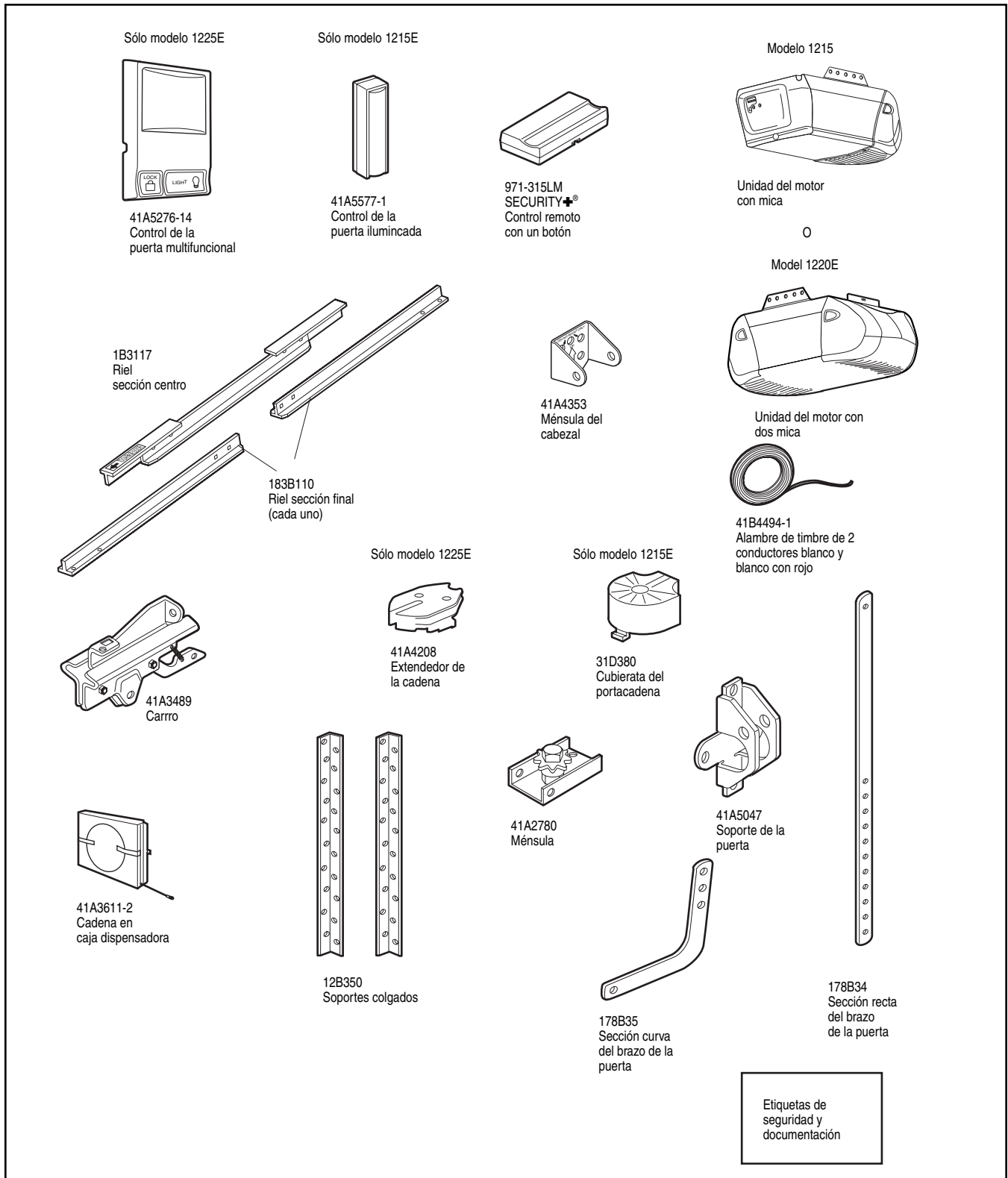
INSTALACIÓN EN UNA PUERTA BATIENTE



Inventario de las cajas

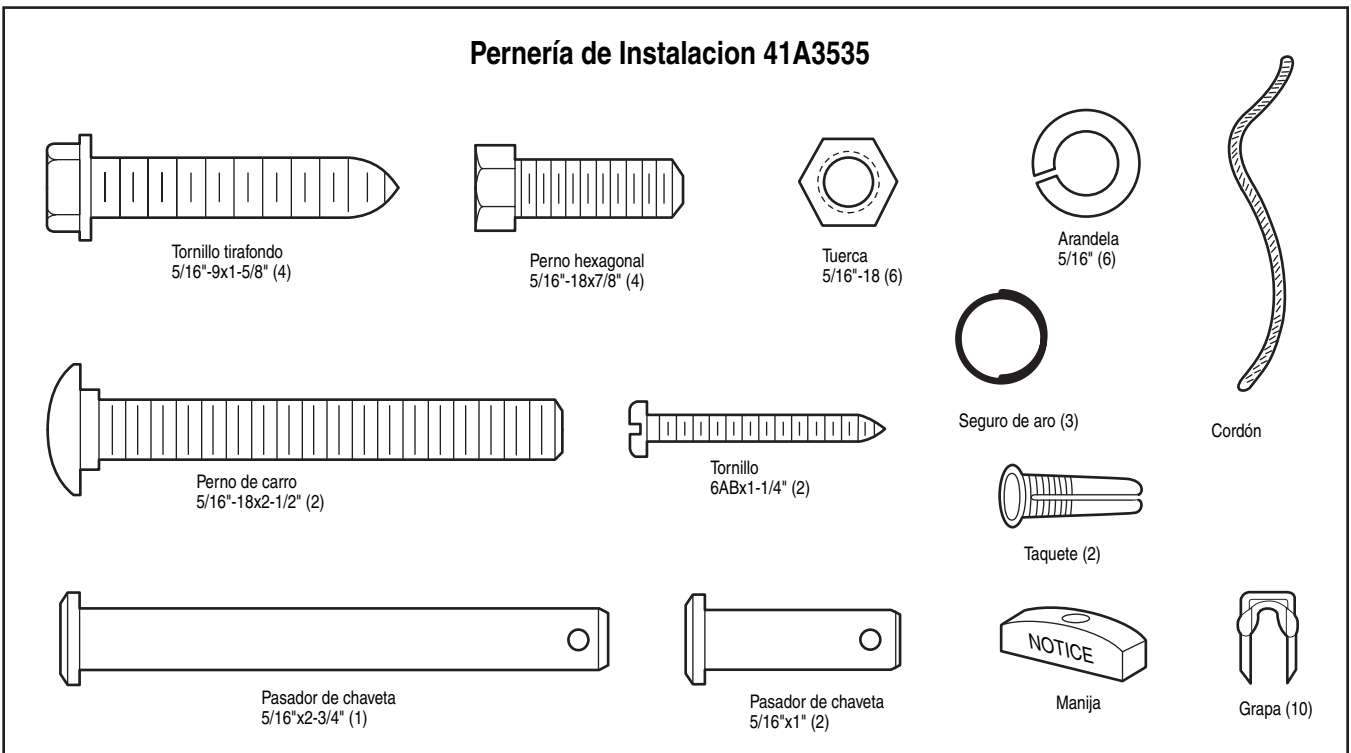
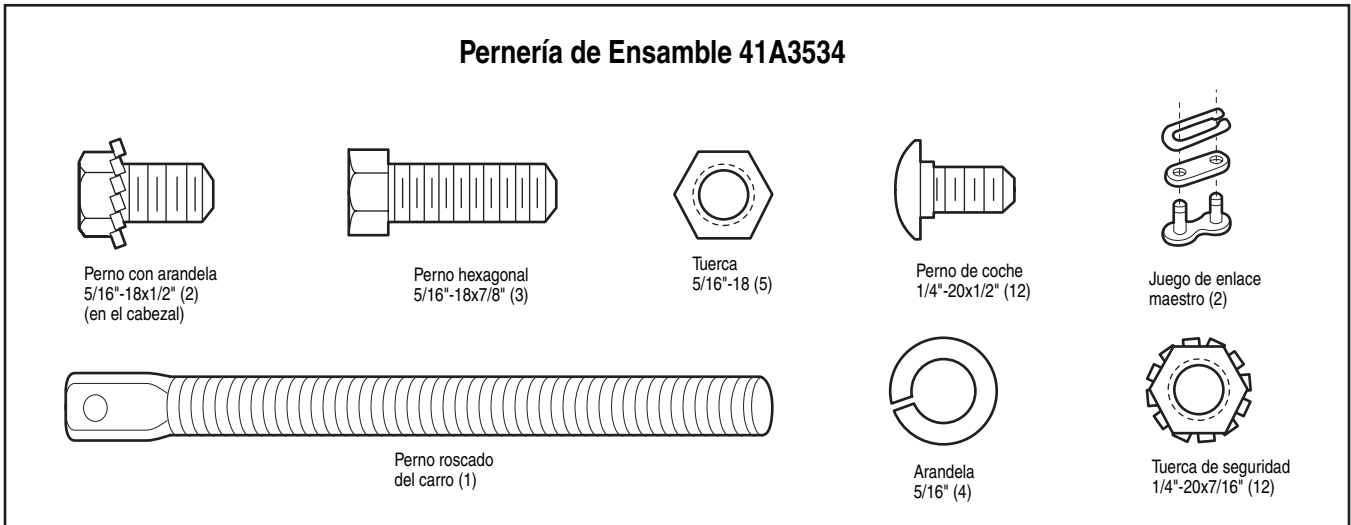
Su abre-puertas viene empacado en dos cajas de cartón que contienen el motor y las piezas que se muestran en la siguiente ilustración. Tome nota de que los accesorios van a depender del modelo que haya comprado. Si falta alguna pieza, revise con cuidado el material de empaque ya que en ocasiones las piezas se atorán en el hule espuma.

Toda la pernería y las piezas necesarias para el montaje e instalación de su abre-puertas se ilustran en la siguiente página. Conserve la caja y los materiales de empaque (hule espuma) hasta que la instalación y el ajuste se hayan terminado.



Inventario de piezas

Antes de la instalación, organice todas las piezas en grupos como se muestra en la siguiente ilustración.



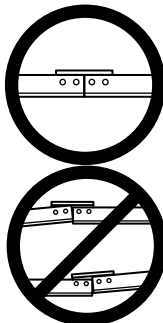
ENSAMBLADO PASO 1

SOLO para puertas seccionales y de una sola pieza

Ensamble de riel con soporte de catarina

No encienda ni use el abre-puertas hasta que llegue al paso de la instalación correspondiente, de otra manera corre el riesgo de complicar el proceso de instalación.

1. Coloque las 3 secciones del riel en un plano para su ensamble. Las secciones extremas son idénticas. Los refuerzos de la sección central deben colocarse contra las secciones extremas tal como se muestra. Asegúrese de que la "flecha indicadora" apunte hacia el frente o sea hacia la puerta. Estudie la ilustración cuidadosamente.

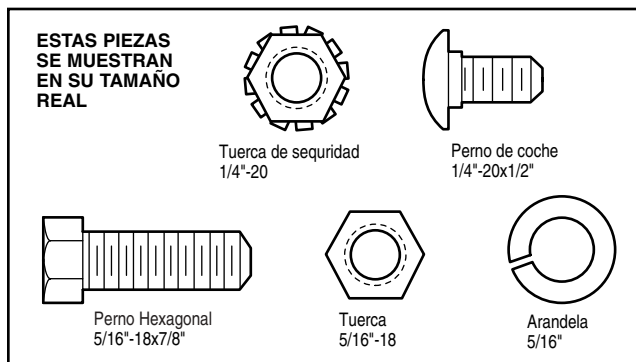
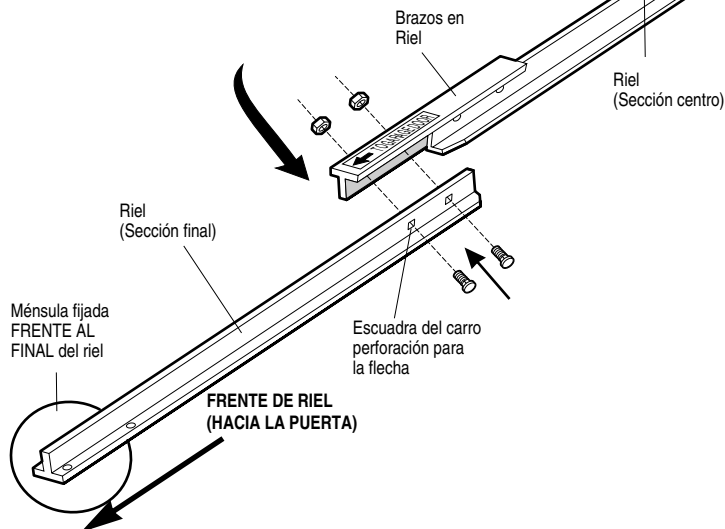
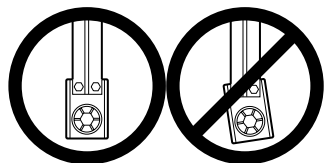


2. Una las secciones del riel con la perneria indicada y en la dirección que se muestra. (Una vez ensamblado, el riel muestra una posición de frente a atrás.)

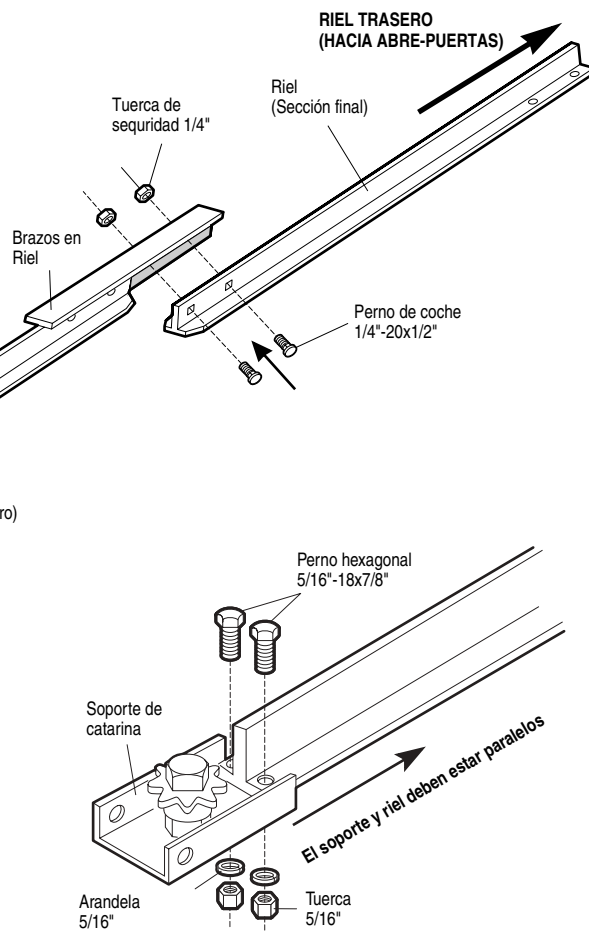
NOTA: Si el riel no se ensambla exactamente como se muestra, el carro no se moverá suavemente a lo largo del riel o golpeará contra los pernos.

3. Situar el soporte de catarina frente al final del riel como se muestra en la figura. Fijar firmemente con los pernos indicados.

NOTA: Al apretar los pernos, asegúrese de que la ménsula se mantenga paralela al riel. De otra manera el riel puede doblarse cuando esté abriendo la puerta.



Llaves de caja de 11 mm



Llaves de caja de 13 mm

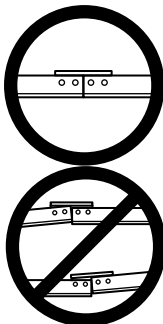
ENSAMBLADO PASO 1

SOLO para puertas corredizas y batientes

Ensamble Riel con Soporte de Catarina

No encienda ni use el abre-puertas hasta que llegue al paso de la instalación correspondiente, de otra manera corre el riesgo de complicar el proceso de instalación.

1. Coloque las tres secciones del riel en "T", sobre una superficie plana para el armado. Las secciones extremas son idénticas. Asegúrese que la "marca de la flecha" en la sección central apunte en la dirección mostrada en la ilustración.



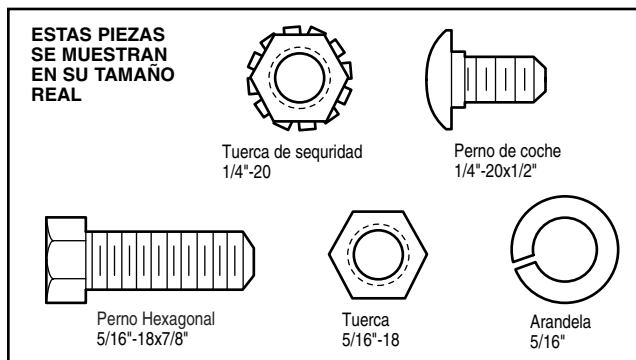
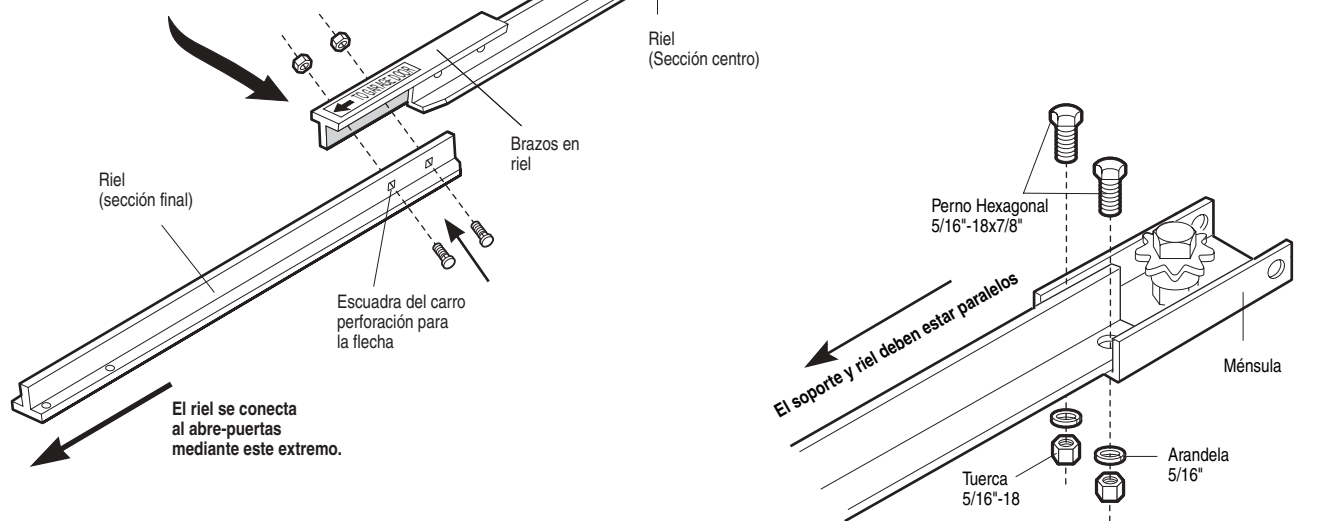
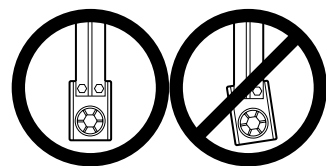
2. Conecte la sección y las contratuercas de 1/4" a las secciones extremas del mismo lado como se ilustra en la figura correspondiente.

NOTA: Si el riel no se ensamble exactamente como se muestra, el carro no se moverá suavemente a lo largo del riel o golpeará contra los pernos.

3. Inserte los pernos con cabeza redonda y cuello cuadrado en el lado opuesto a las secciones extremas. Apriete las tuercas.

4. Situar el soporte de catarina frente al final del riel como se muestra en la figura. Fijar firmemente con los tornillos indicados.

NOTA: Al apretar los pernos, asegúrese de que la ménsula se mantenga paralela al riel. De otra manera el riel puede doblarse cuando esté abriendo la puerta.



Llaves de caja de 11 mm

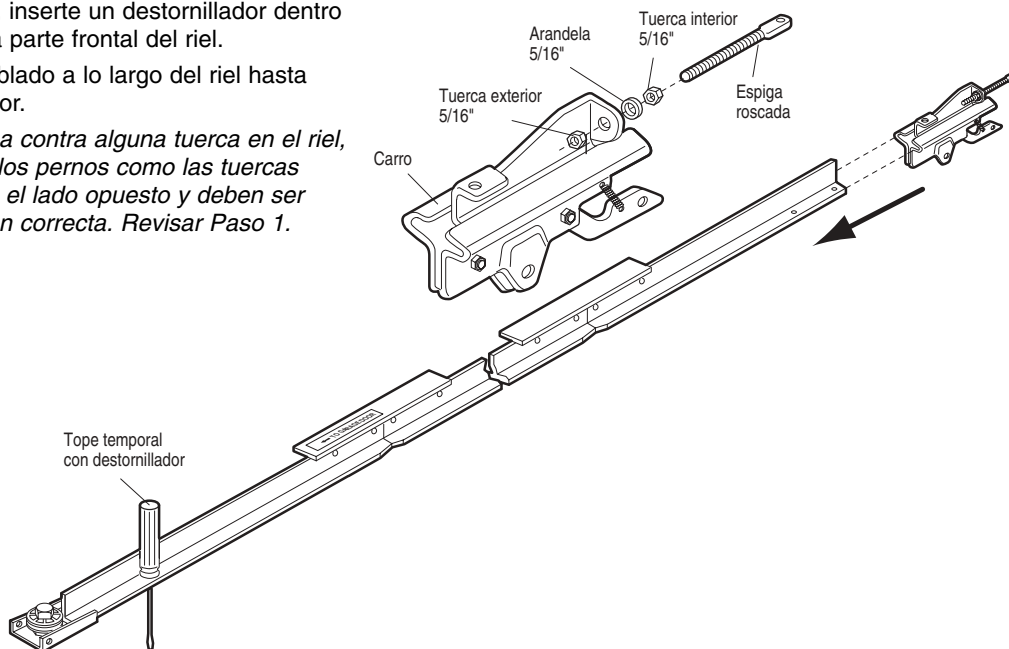
Llaves de caja de 13 mm

ENSAMBLADO PASO 2

Solamente para puertas seccionales y de una sola pieza con rieles Instalar el carro sobre el riel

- Unir la espiga roscada con el carro con arandela y tornillo como se muestra.
- Como un tope temporal, inserte un destornillador dentro del orificio ubicado en la parte frontal del riel.
- Deslizar el carro ensamblado a lo largo del riel hasta toparse con el destornillador.

NOTA: Si el carro golpea contra alguna tuerca en el riel, esto significa que tanto los pernos como las tuercas fueron colocados desde el lado opuesto y deben ser colocados en su posición correcta. Revisar Paso 1.

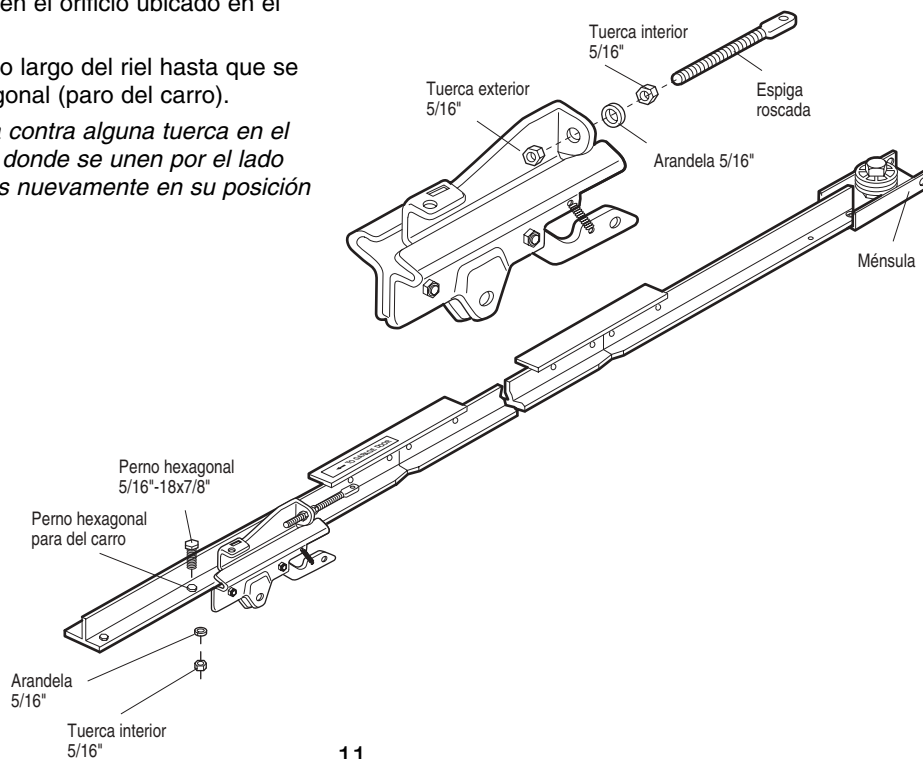


ENSAMBLADO PASO 2

Sólamete para puertas corredizas y batientes Instalar el carro sobre el riel

- Unir la espiga roscada con el carro con arandela y tornillo como se muestra.
- Inserte un perno hexagonal en el orificio ubicado en el extremo frontal del riel T.
- Deslice la parte del carro a lo largo del riel hasta que se apoye contra el perno hexagonal (paro del carro).

NOTA: Si el carro se golpea contra alguna tuerca en el riel, flecha y/o guía y tuerca donde se unen por el lado opuesto y deben ser puestas nuevamente en su posición correcta. Revisar Paso 1.



ENSAMBLADO PASO 3

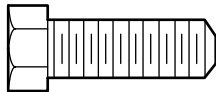
Fijar riel al abre-puertas de garaje

- Colocar el abre-puertas de garaje material de empaque para proteger la cubierta. Por conveniencia, colocar un soporte abajo de la ménsula.
- Quitar los dos pernos con arandela 5/16"-18x1/2" montados en la parte superior del motor.
- Alinear los orificios de la sección posterior del riel T con los orificios del cabezal del abre-puertas.
- Fijar el riel con los dos (2) pernos previamente colocados y ajustados firmemente. **¡Sólo se debe utilizar estos pernos! Cualquier otro perno le causarán serios daños al abre-puertas.**
- Insertar el perno hexagonal 5/16"-18x7/8" en el orificio de la cubierta protectora en el riel T tal como se muestra. Apretar fuertemente con una arandela 5/16" y una tuerca de 5/16".

NOTA: Este perno evita que el carro se desplace demasiado. Mantener una distancia de un mínimo de 25 mm entre el carro y este perno al ajustar los límites de carrera (ver página 29).

Modelo 1225E únicamente: Fijar el extendedor de la cadena con tornillos hexagonales #8x1" y arandelas de la manera mostrada.

ESTAS PIEZAS SE MUESTRAN EN SU TAMAÑO REAL



Perno hexagonal
5/16"-18x7/8"



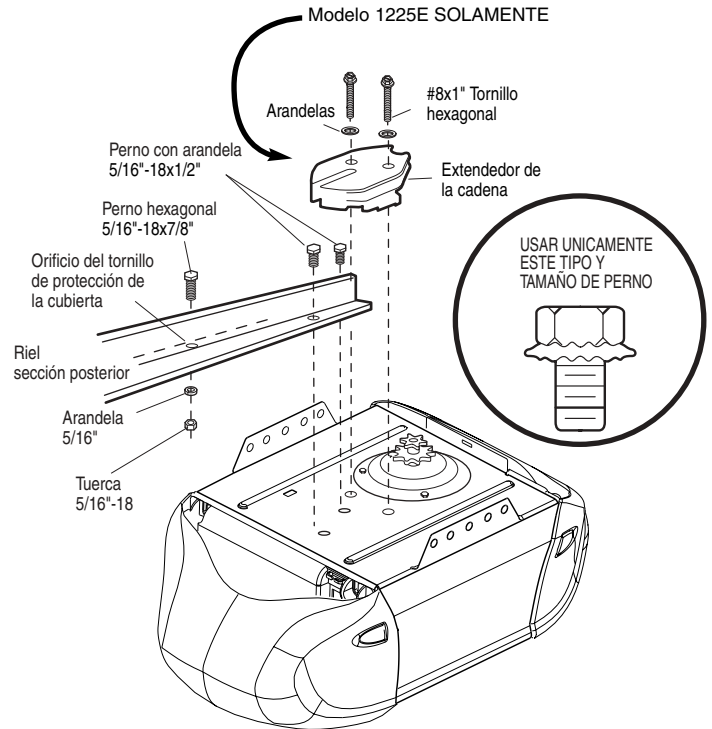
Tuerca
5/16"-18



Arandela
5/16"

PRECAUCIÓN

Para evitar daños serios al abre-puertas, SÓLO utilizar pernos o sujetadoras montados en la parte superior del motor.



ENSAMBLADO PASO 4

Solamente para puertas seccionales y de una sola pieza con rieles Instalar la cadena y conectar la cubierta del portacadena

INSTALACIÓN DE LA CADENA

1. Saque unos cuantos centímetros de cadena de la caja de cartón y sujétela al carro mediante el eslabón maestro que se encuentra en la bolsa con la pernería. (Figura 1).



- Empujar los pasadores de la barra del enlace maestro a través del ojal de la cadena y del orificio en la parte del extremo frontal del carro.
 - Empuje la tapa del enlace maestro sobre los pernos y las ranuras de los pernos.
 - Deslice el resorte de clip sobre la tapa y sobre las ranuras de los pernos hasta que los dos pernos estén bien colocados y seguros en su lugar.
2. Con el carro contra el destornillador, alimentar la cadena alrededor de la polea.

3. Modelo 1215E:

- Continúe a lo largo del riel y alrededor de la catarina del motor (Figura 2). Los dientes de la catarina deben estar conectados con la cadena. Continúe hasta el perno roscado del carro.

Modelo 1225E:

- Continúe hasta el riel y diríjalo hacia adelante de la catarina del motor (Figura 2). Continúe hacia atrás y alrededor de la ranura apropiada en el extendedor de la cadena como se indica en la (Figura 3). Los dientes de la catarina del abre-puertas de garaje deben engranar en la cadena.

4. Utilizar el segundo eslabón maestro para conectar la cadena al extremo plano del eje con rosca (Figura 1).

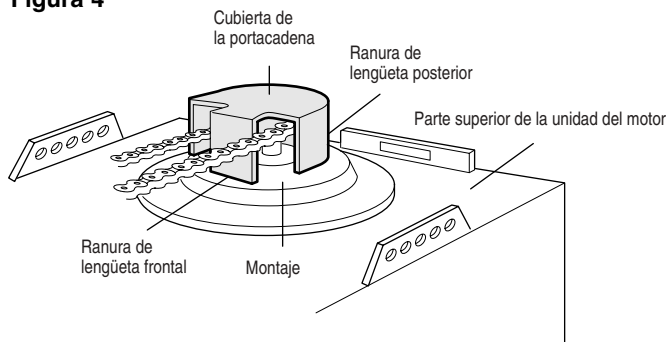
Comprobar y asegurarse que la cadena no esté torcida.

5. Quite el destornillador.

CUBIERTA DEL PORTACADENA 1215E SOLAMENTE

Insertar la lengüeta posterior en la ranura en la parte posterior de la placa de montaje. Oprimir la cubierta ligeramente e insertar la lengüeta delantera (Figura 4).

Figura 4



⚠ ADVERTENCIA

Para evitar posibles LESIONES GRAVES en los dedos causadas por las partes móviles del abre-puertas de garaje:

- SIEMPRE tenga las manos lejos de la polea mientras esté funcionando el abre-puertas.
- Ponga la cubierta de la polea ANTES de hacer funcionar el abre-puertas.

Figura 1

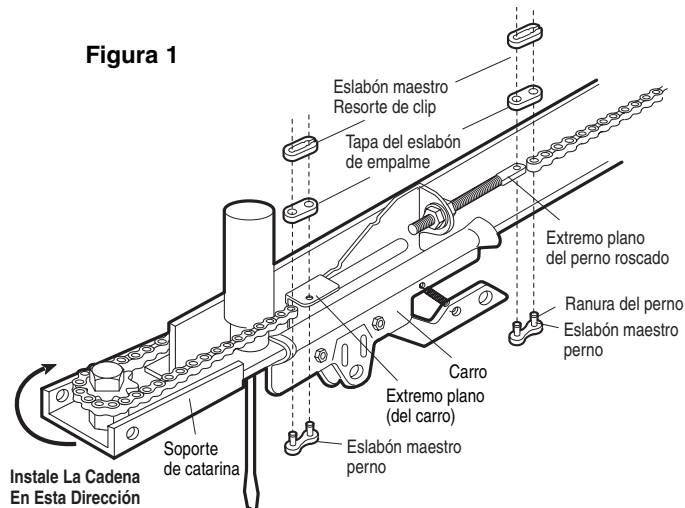


Figura 2

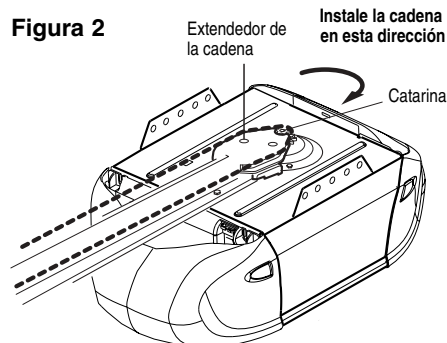
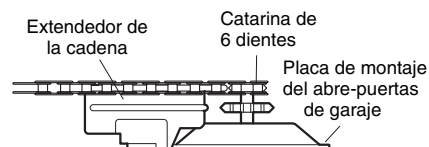
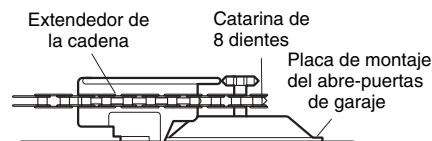


Figura 3



PUERTAS DE UNA SOLA PIEZA

Aplicación de la catarina de 6 dientes. (Modelo 1225E)



PUERTA EN SECCIONES CON RIEL CURVO

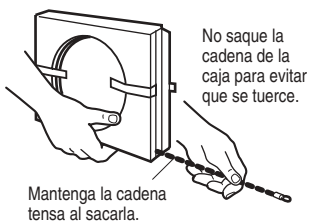
Aplicación de la catarina de 8 dientes. (Modelo 1225E)
(Se puede utilizar la catarina de 6 dientes si se desea obtener una velocidad más lenta de recorrido.)

ENSAMBLADO PASO 4

Solamente puertas corredizas y batientes **Instalar la cadena y conecte la** **cubierta del portacadena**

INSTALACIÓN DE LA CADENA

1. Saque unos cuantos centímetros de cadena de la caja de cartón y sujétela al carro mediante el eslabón maestro que se encuentra en la bolsa con la tornillería. (Figura 1).



- Empujar los pasadores de la barra del enlace maestro a través del ojal de la cadena y del orificio en la parte del extremo frontal del carro.
- Empuje la tapa del enlace maestro sobre los pernos y las ranuras de los pernos.
- Deslice el resorte de clip sobre la tapa y sobre las ranuras de los pernos hasta que los dos pernos estén bien colocados y seguros en su lugar.

2. Para evitar que el carro quede atascado contra el abrepuertas durante su funcionamiento, coloque el carro 5 a 15 cm del orificio de detención como aparece en la ilustración. Luego alimente la cadena alrededor de la catarina del abrepuertas (Figura 1). Asegúrese de que los dientes de la catarina engranen la cadena.

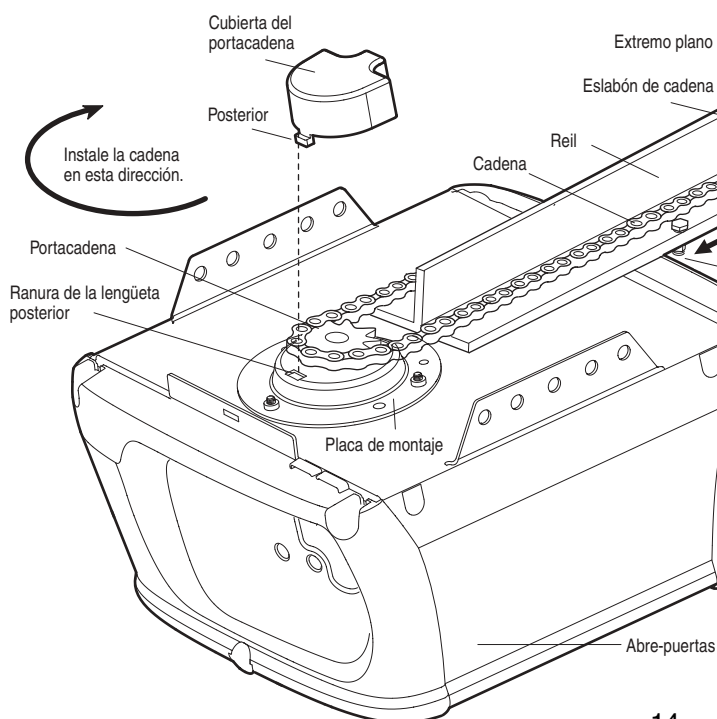
- Continúe alrededor de la ménsula de la polea y hasta el perno roscado del carro.

3. Utilizar el segundo eslabón para conectar la cadena al extremo plano del perno roscado (Figura 1).

Comprobar y asegurarse que la cadena no esté torcida.

CUBIERTA DEL PORTACADENA 1215E UNICAMENTE

Insertar la lengüeta posterior en la ranura en la parte posterior de la placa de montaje. Oprimir la cubierta ligeramente e insertar la lengüeta delantera.

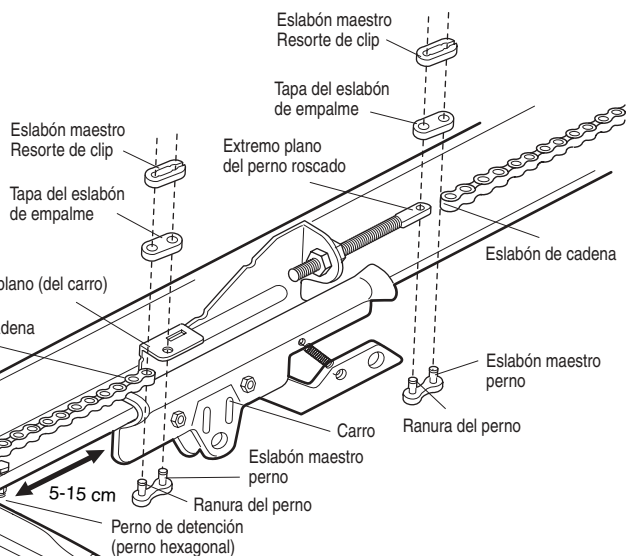


⚠ ADVERTENCIA

Para evitar posibles LESIONES GRAVES en los dedos causadas por las partes móviles del abrepuertas de garaje:

- SIEMPRE tenga las manos lejos de la polea mientras esté funcionando el abrepuertas.
- Ponga la cubierta de la polea ANTES de hacer funcionar el abrepuertas.

Figura 1



ENSAMBLADO PASO 5

Apretar la cadena

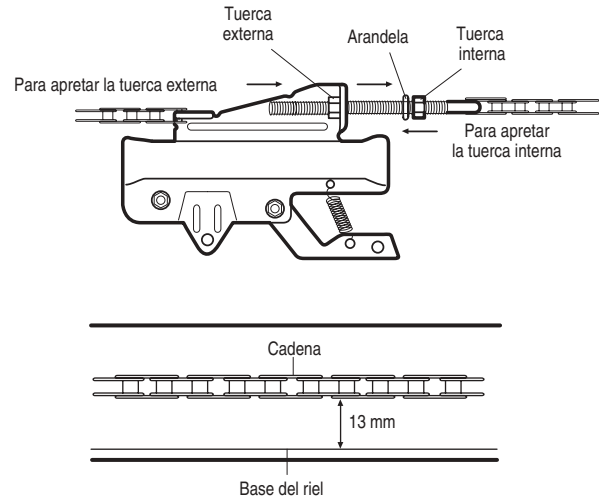
- Girar la tuerca y la arandela de cierre en la dirección del perno roscado y alejado del carro.
- Para aligerar la cadena, girar la tuerca externa en la dirección mostrada. A LA MEDIDA QUE GIRE LA TUERCA, MANTENGA LA CADENA DERECHA.
- Cuando la cadena esté aproximadamente 13 mm sobre la base del riel en su punto medio, volver a apretar la tuerca interna para asegurar el ajuste.

El engranaje de cadena se hará ruidoso si la tensión de la cadena queda floja o muy apretada.

NOTA: Al terminar la instalación, es posible que note que la cadena esté caída cuando la puerta está cerrada. Esto es normal. Si la cadena regrese a la posición mostrada al abrir la puerta, no vuelva a ajustar la cadena.

NOTA: Durante el mantenimiento futuro, SIEMPRE tirar la manija de emergencia para desconectar el carro antes de ajustar la cadena.

Ha finalizado el ensamblado de su abre-puertas de garaje. Leer las advertencias siguientes antes de proceder con la sección de instalación.



INSTALACIÓN

INSTRUCCIONES DE INSTALACIÓN IMPORTANTES

ADVERTENCIA

Para reducir el riesgo de una LESIÓN GRAVE o LA MUERTE:

1. LEA Y SIGA LAS ADVERTENCIAS Y LAS INSTRUCCIONES DE INSTALACIÓN
2. Instale el abre-puertas de garaje solamente en puertas de garaje que estén bien equilibrados y lubricados. Si la puerta no está debidamente equilibrado es posible que no retroceda cuando así se requiera y podría ocasionar una lesión grave e incluso la muerte.
3. Todas las reparaciones de los cables, resortes y otras partes las DEBE llevar a cabo un técnico especializado en sistemas de puertas, ANTES de instalar el abre-puertas.
4. Desarme todos los seguros y retire todas las cuerdas conectadas al puerta de el garaje ANTES de instalar el abre-puertas para evitar que estas se enreden.
5. Instale el abre-puertas de garaje a una distancia de 2.10 m del piso.
6. Monte la manija de liberación de emergencia a una distancia de 1.80 m del piso.
7. NO conecte el abre-puertas de garaje a una fuente de energía eléctrica hasta que se le indique.
8. NUNCA lleve puestos relojes, anillos o prendas sueltas durante la instalación o funcionamiento del abre-puertas, pues podrían atorarse en la puerta de el garaje o en los mecanismos del abre-puertas.
9. Instale el control del abre-puertas de garaje para paredes:
 - de manera que quede a la vista desde la puerta de el garaje
 - fuera del alcance de los niños y a una altura mínima de 1.5 m.
 - lejos de todas las partes móviles de la puerta.
10. Coloque la calcomanía que advierte sobre el riesgo de enredarse sobre la pared cerca del control de la puerta del garaje.
11. Coloque la calcomanía que contiene la prueba de reversa de seguridad y liberación de emergencia a plena vista en la parte interior de la puerta del garaje.
12. Al concluir la instalación, pruebe el sistema de reversa de seguridad. la puerta DEBERÁ retroceder al entrar en contacto con un objeto de 38 mm puesto sobre el piso.

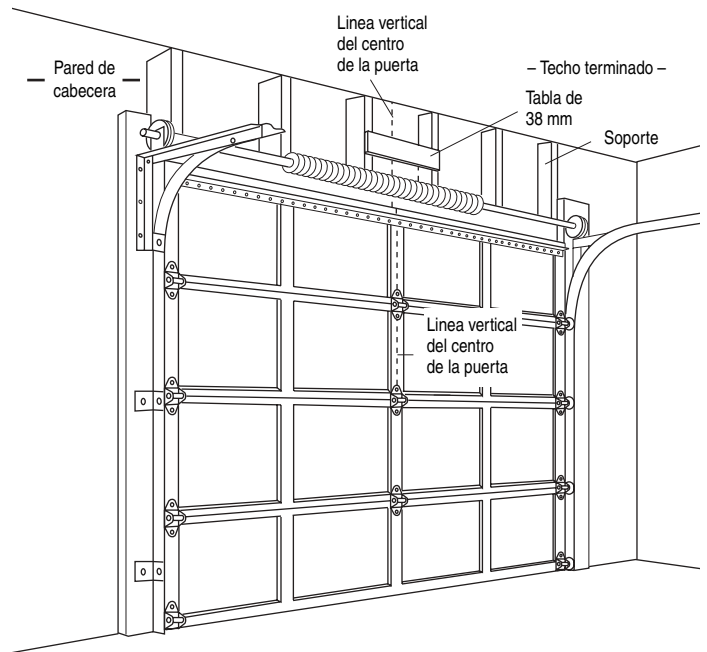
INSTALACIÓN PASO 1

Determinar la localización de soporte de cabecera

⚠ ADVERTENCIA

Para evitar una posible LESIÓN GRAVE O INCLUSO LA MUERTE:

- La ménsula del cabezal DEBE quedar RÍGIDAMENTE sujeta al soporte estructural en la pared delantera o en el cielo raso, de no ser así es posible que la puerta del garaje no retroceda cuando se requiera. NO instale la ménsula del cabezal en muros falsos.
- Se DEBEN usar sujetadores para concreto si el montaje de la ménsula del cabezal o del pedazo de madera de 38 mm se hace en mampostería.
- NUNCA trate de aflojar, mover, ni ajustar la puerta del garaje, los resortes, los cables, las poleas, las ménsulas ni la pernería, pues todas estas piezas están bajo una tensión EXTREMA.
- SIEMPRE llame a un técnico especializado en sistemas de puertas si la puerta del garaje se atasca, atora o si está desequilibrada. Una puerta de garaje que no esté equilibrada puede no retroceder cuando se requiera.



Los procedimientos de instalación varían según el tipo de puerta de garaje. Siga las instrucciones que se aplican a su puerta.

Si su puerta de garaje es del estilo pabellón o de rieles verticales y horizontales NECESITARÁ un kit de conversión de brazo de puerta. Siga las instrucciones adjunto con el brazo de puerta de repuesto.

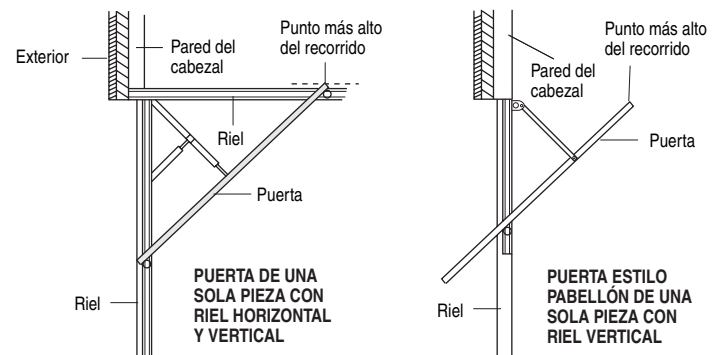
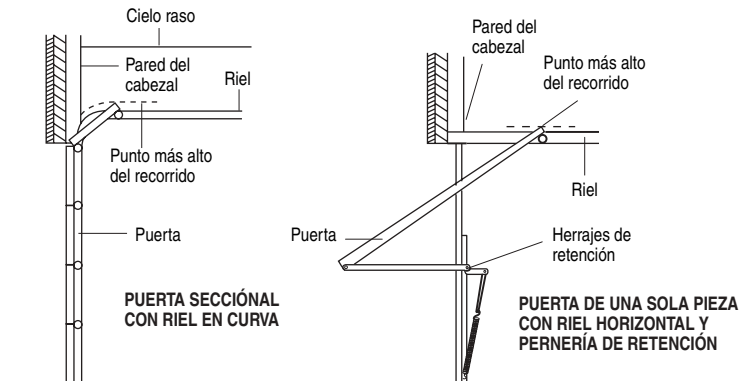
PUERTA SECCIONAL Y PUERTA DE UNA SOLA PIEZA CON RIELES

1. Con la puerta cerrada, localizar y marcar el centro vertical de la puerta del garaje.
2. Extender la línea de centro hasta la pared del cabezal que se ubica sobre la puerta.

Se puede sujetar el soporte del cabezal dentro de una distancia de 1.2 m a la izquierda o a la derecha del centro de la puerta solamente si estorba un resorte de torsión o placa de cojinete central. También se puede sujetar al cielo raso (ver página 17) si el espacio libre es mínimo. (Asimismo, se puede instalar en forma invertida sobre la pared si fuese necesario. Esto le otorgará aproximadamente 1 cm de espacio.)

Si necesita instalar la ménsula del cabezal en un pedazo de madera de 38 mm (ya sea en la pared o en el cielo raso), use tornillos de cabeza cuadrada o pijas (no se incluyen) para sujetar dicho pedazo de madera a los soportes estructurales, como se indica aquí y en la página 17.

3. Abra la puerta hasta el punto más alto de su recorrido como se indica. Marque una línea horizontal que intersecte la pared delantera a 5 cm del punto más alto del recorrido. A esta altura, el extremo superior de la puerta tendrá suficiente espacio para su recorrido.



PUERTA DE UNA SOLA PIEZA SIN RIEL

1. Con la puerta cerrada, buscar y marcar el centro vertical de la puerta del garaje. Extender la línea del centro hasta la pared de cabecera arriba de la puerta, como se muestra en la ilustración.

Si el espacio libre para el cabezal es mínimo, se puede instalar el soporte del cabezal en el cielo raso (Ver página 18).

Si necesita instalar el soporte del cabezal sobre un pedazo de madera de 38 mm (en la pared o en el cielo raso) utilice tornillos tirafondo (no proporcionados) para sujetar firmemente el pedazo de madera a los soportes estructurales en el modo indicado.

2. Abra la puerta hasta el punto más alto de su recorrido. Medir la distancia entre la parte superior de la puerta y el piso. Restar la altura real de la puerta. Sumar 20 cm al resultado. (Ver el ejemplo que se da abajo.)
3. Cerrar la puerta y trazar una línea horizontal de intersección sobre la pared del cabezal a la altura determinada.

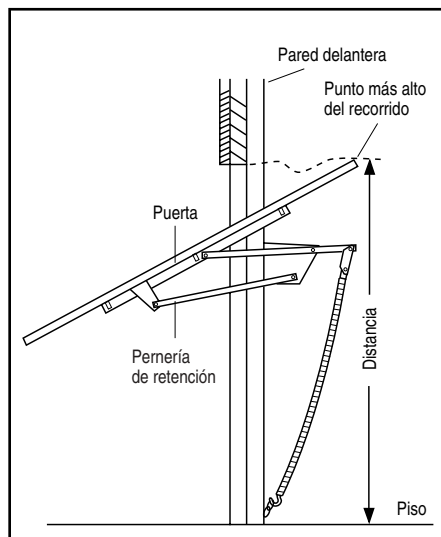
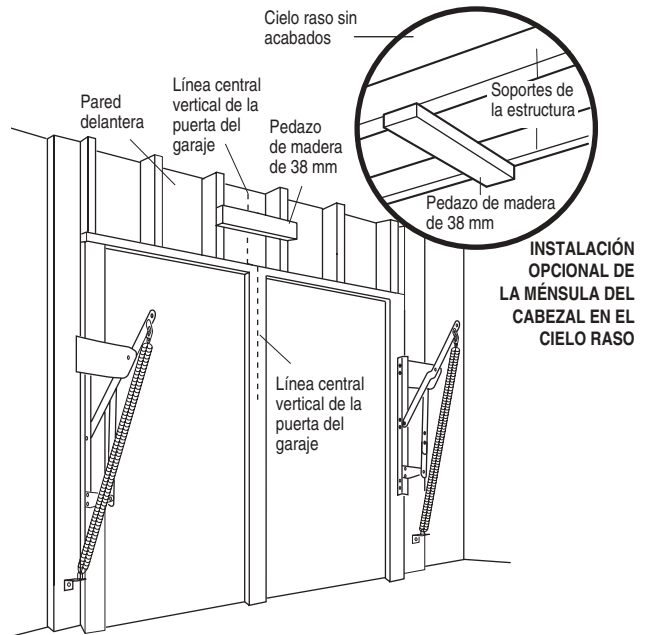
NOTA: Si el número total de centímetros excede la altura de su garaje, usar la altura máxima posible o consultar la página 18 para obtener información sobre la instalación en el cielo raso.

EJEMPLO

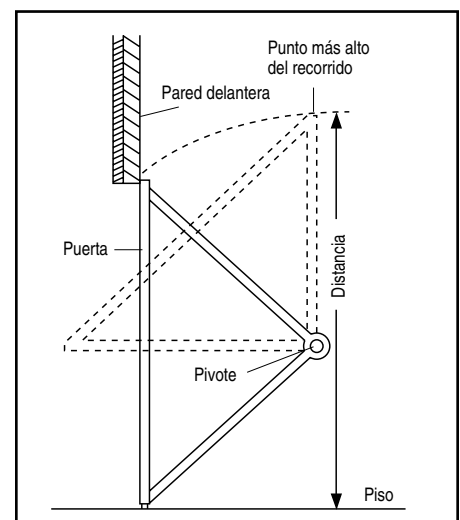
Distancia entre la parte superior de la puerta (en su punto más alto de desplazamiento) y el piso	234 cm
Altura real de la puerta	-224 cm
Resultado	10 cm
Suma	+ 20 cm
Altura a la que se debe sujetar la ménsula en la pared delantera	= 30 cm

(Medir hacia ARRIBA desde la parte superior de la puerta CERRADA)

Proceder al Paso 2, Página 18.



Puerta de una sola pieza sin riel y con: pernería de retención



Puerta de una sola pieza sin riel: pernería de pivote

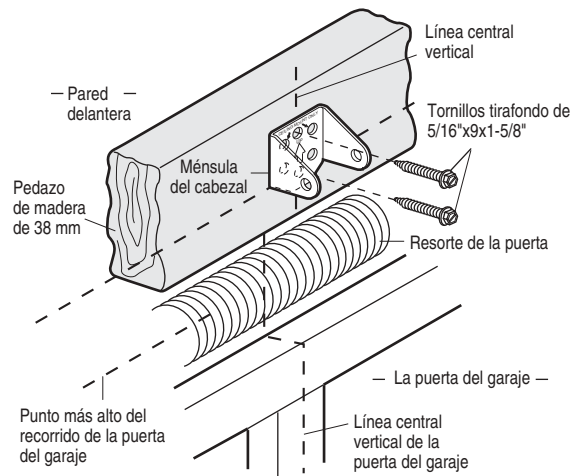
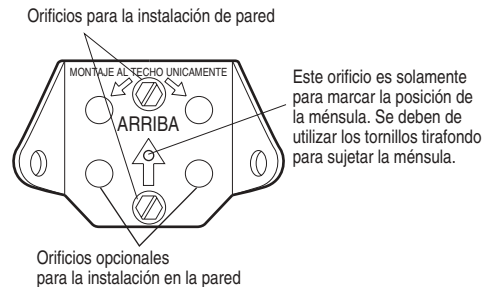
INSTALACIÓN PASO 2

Instale la ménsula del cabezal

La ménsula del cabezal se puede sujetar a la pared sobre la puerta del garaje o en el cielo raso. Siga las instrucciones que sean las más adecuadas para las necesidades de su garaje. **No instale la ménsula del cabezal en un muro falso. Si va a sujetar la ménsula del cabezal a ladrillo o mampostería, asegúrese de utilizar sujetadores de cemento (no se incluyen).**

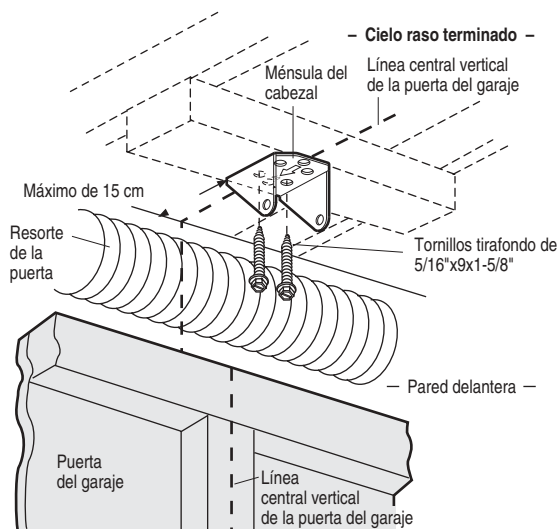
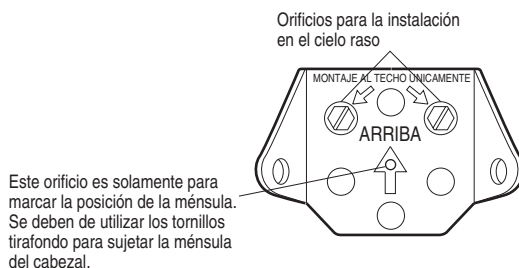
INSTALACIÓN DE LA MÉNSULA DEL CABEZAL EN LA PARED DELANTERA

- Coloque la ménsula sobre la línea central vertical con el borde inferior sobre la línea horizontal como se muestra en la ilustración (con la flecha de la ménsula apuntando hacia el cielo raso).
- Marque los orificios de la ménsula que van en línea vertical (no use los orificios designados para la instalación en el cielo raso). Taladre los orificios con una broca de 5 mm y sujete la ménsula al soporte de la estructura con la pernería que se indica.



INSTALACIÓN DE LA MÉNSULA DEL CABEZAL EN EL CIELO RASO

- Extienda la línea central vertical sobre el cielo raso como se muestra en la ilustración.
- Coloque la ménsula al centro de la línea a no más de 15 cm de la pared. Asegúrese de que la flecha de la ménsula apunte hacia la pared. La ménsula puede ser instalada pegada al cielo raso cuando el espacio es muy reducido.
- Marque donde va a taladrar los orificios laterales. Taladre los orificios con una broca de 5 mm y sujete la ménsula firmemente al soporte de la estructura con la pernería que se incluye.



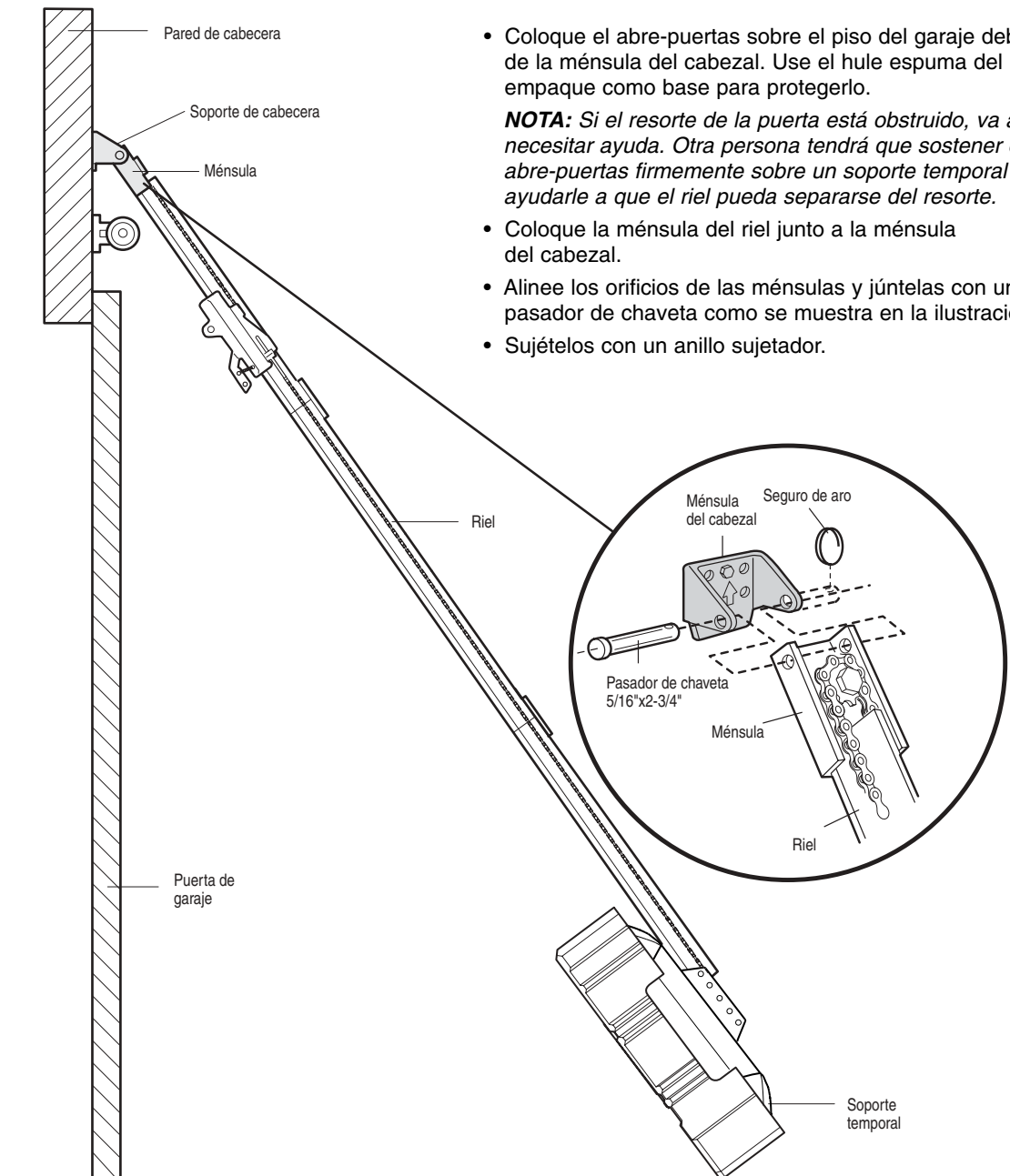
INSTALACIÓN PASO 3

Coloque el riel en la ménsula del cabezal

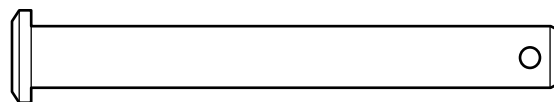
- Coloque el abre-puertas sobre el piso del garaje debajo de la ménsula del cabezal. Use el hule espuma del empaque como base para protegerlo.

NOTA: Si el resorte de la puerta está obstruido, va a necesitar ayuda. Otra persona tendrá que sostener el abre-puertas firmemente sobre un soporte temporal para ayudarle a que el riel pueda separarse del resorte.

- Coloque la ménsula del riel junto a la ménsula del cabezal.
- Alinee los orificios de las ménsulas y júntelas con un pasador de chaveta como se muestra en la ilustración.
- Sujételos con un anillo sujetador.



ESTAS PIEZAS SE MUESTRAN EN SU TAMAÑO REAL



Pasador de chaveta
5/16"x2-3/4"



Seguro de aro

INSTALACIÓN PASO 4

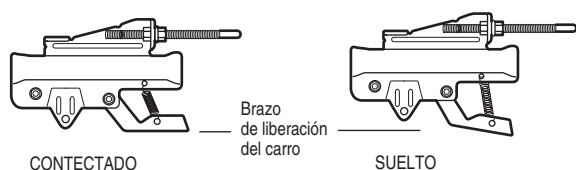
Coloque el abre-puertas

Siga las instrucciones correspondientes al tipo de puerta de su garaje, como se muestra en la ilustración.

PUERTA SECCIONAL O PUERTA DE UNA SOLA PIEZA CON RIEL

Un pedazo de madera de 38 mm le será de ayuda al determinar la distancia ideal entre la puerta y el riel.

- Ponga el abre-puertas sobre la escalera. Si la escalera no es lo suficientemente alta, va a necesitar ayuda.
- Abra completamente la puerta y coloque el pedazo de madera de 38 mm en la sección superior, de manera que quede debajo del riel.
- Si el panel superior golpea el carro al levantar la puerta, jale hacia abajo el brazo de desenganche del carro para desconectar las secciones internas y externas del mismo. Deslice el carro externo hacia el motor. El carro puede permanecer desconectado hasta el final del Paso 11.

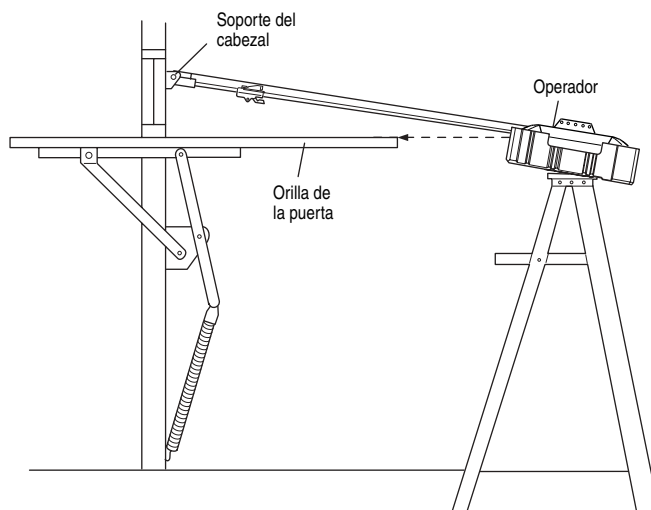
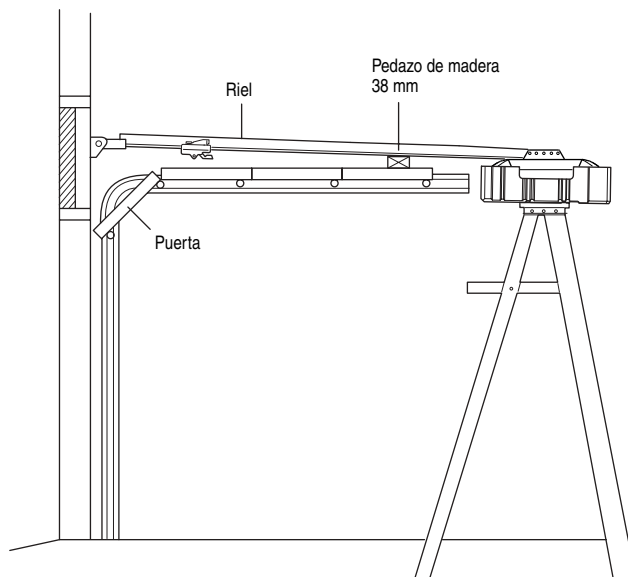


PUERTA DE UNA SOLA PIEZA SIN RIEL

- Abra completamente la puerta de manera que quede paralela al piso, mida la distancia entre el piso y la parte superior de la puerta.
- Coloque el abre-puertas a esta altura, utilizando una escalera como apoyo.
- La parte superior de la puerta debe estar alineada con la parte superior de la unidad del motor. No instale el abre-puertas a más de 5 cm arriba de este punto.

PRECAUCIÓN

Para evitar que la puerta del garaje sufra daños, apoye el riel del abre-puertas de garaje sobre un pedazo de madera de 38 mm colocado en la sección superior de la puerta.

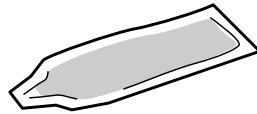


INSTALACIÓN PASO 5

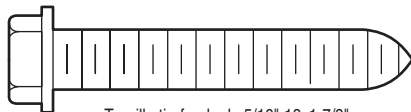
Cuelgue el abre-puertas

Se muestran dos instalaciones representativas. Quizá su instalación sea diferente. Las soportes colgantes se deben colocar en ángulo (Figura 1) para lograr un soporte rígido. En los techos acabados (Figura 2), colocar un soporte metálico robusto sobre los soportes estructurales antes de instalar el abre-puertas. Este soporte y los accesorios no se incluyen con el abre-puertas.

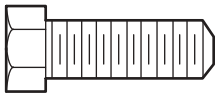
1. Mida la distancia entre cada lado de la unidad del motor y el soporte de la estructura.
2. Corte las dos partes de los soportes colgantes a la medida adecuada.
3. Taladre los orificios de 5 mm en los soportes de la estructura.
4. Sujete un extremo de cada soporte colgante al soporte principal con tornillos tirafondo de 5/16"-18x1-7/8".
5. Sujete el abre-puertas a los soportes colgantes con pernos hexagonales de 5/16"-18x7/8", y sus tuercas y roldanas correspondientes.
6. Verifique que el abre-puertas esté centrado sobre la puerta (o alineado con la ménsula del cabezal, si la ménsula no está centrada sobre la puerta).
7. Quite el pedazo de madera de 38 mm. Haga funcionar la puerta manualmente. Si la puerta golpea el riel, suba la ménsula del cabezal.
8. Coloque grasa de riel en la parte superior y en los lados de la superficie del riel donde se desliza el carro.



ESTAS PIEZAS SE MUESTRAN EN SU TAMAÑO REAL



Tornillo tirafondo de 5/16"-18x1-7/8"



Perno hexagonal de 5/16"-18x7/8"



Tuerca de 5/16"-18

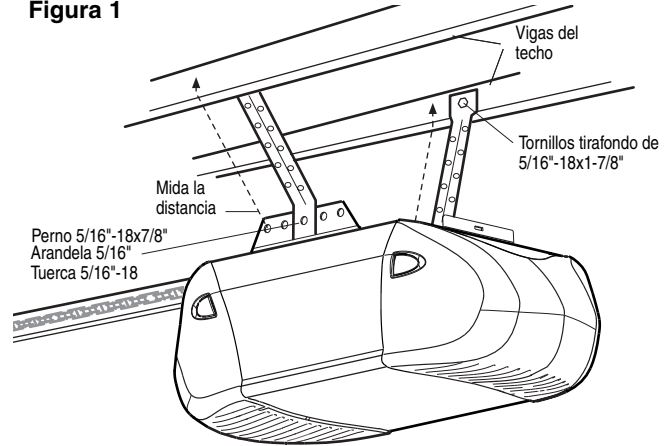


Arandela de 5/16"

⚠ ADVERTENCIA

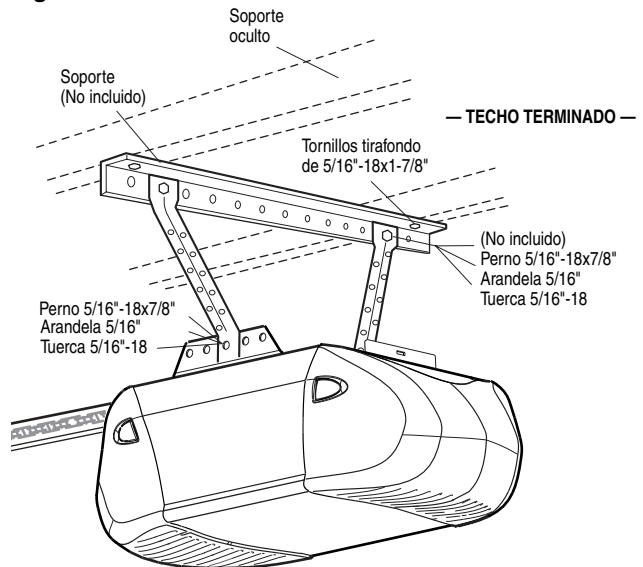
Para evitar la posibilidad de una LESIÓN GRAVE si se cae el abre-puertas de garaje, sujételo FIRMEMENTE a los soportes estructurales del garaje. Se DEBEN usar sujetadores para concreto si alguno de los soportes se va a instalar en mampostería.

Figura 1



Llaves de caja de 13 mm

Figura 2



INSTALACIÓN PASO 6

Instalar el control de la puerta

Ubique el control de la puerta de manera que quede a la vista desde la puerta y a una altura mínima de 1.5 m donde los niños pequeños no lo puedan alcanzar y lejos de las partes móviles de la puerta y de la pernería. La superficie para la instalación debe ser uniforme y lisa. Si se va a instalar en un muro falso, (Figura 1) taladre dos orificios de 4 mm y utilice los sujetadores que se incluyen. Para una instalación pre-cableada, (por ejemplo, en una casa en construcción) los modelos de consola se pueden instalar en una caja múltiple estándar (Figura 2).

NOTA: Después de la instalación, la luz verde del indicador señalará que la conexión está correcta; este indicador se encuentra detrás de la tapa. Si la luz no se enciende, las características de Seguro y Luz (Lock y Light) no van a funcionar (coloque los alambres a la inversa para corregir el problema).

1. Pele 11 mm del extremo del cable de campana y conéctelo a los terminales de tornillo correspondientes al color del cable en la parte posterior de la puerta de la unidad de control; blanco a 2 y blanco y rojo a 1 (Figura 3).

2. **Modelo 1215E - Control de puerta iluminada:** Extraiga la cubierta del Control de Puerta iluminada. Sujete firmemente con tornillos de 6ABx1-1/2" (Figura 4).

Modelo 1225E - Panel de control de la puerta multifuncional: Con un desarmador, abra la tapa por el costado. Sujete con un tornillo autorroscante de 6ABx1-1/4" (instalación estándar) o con un tornillo para metales de 6-32x1" (dentro de la caja múltiple) como se indica a continuación:

- Instale el tornillo de la parte inferior de manera que sobresalga por lo menos 3 mm de la pared.
- Coloque la parte inferior de la unidad de control de la puerta sobre la cabeza del tornillo y deslícelo para sujetarlo, apriete el tornillo.
- Taladre y coloque el tornillo de la parte superior con la precaución de no romper la cubalación.
- Inserte las lengüetas inferiores y cierre la cubierta.

3. **(Únicamente para las instalaciones estándares)**

Corra el cable de campana al motor a lo largo de la pared y el techo, use grapas con aislamiento en varios puntos a lo largo del cable para sujetarlo. Tenga cuidado de no perforar el cable al engraparlo, creando así un corto circuito o un circuito abierto.

4. Retire más o menos 11 mm del aislamiento en un extremo del cable de campana. Conecte el cable a los terminales de conexión rápida de acuerdo a su color, como sigue: el blanco al blanco y el blanco y rojo al rojo (Figura 5).

NOTA: Al conectar controles múltiples de la puerta al abre-puertas, tuerza juntos los cables del mismo color. Inserte los cables en los orificios de conexión rápida: blanco a blanco y rojo/blanco a rojo.

5. Use tachuelas o grapas para sujetar permanentemente la calcomanía de advertencia sobre el riesgo de quedar atrapado; esta calcomanía debe estar en la pared y cerca del control de la puerta.

INSTRUCCIONES DEL ALAMBRADO PARA LOS ACCESORIOS

Protector System®: para los tornillos de terminales: blanco a blanco y negro a gris.

Conexiones del accesorio de cerradura exterior: Terminales de conexión rápida al abridor: blanco a blanco; blanco y rojo a rojo.

⚠️ ADVERTENCIA

Para evitar la posibilidad de una LESIÓN GRAVE O INCLUSO LA MUERTE por electrocución:

- ANTES de instalar el control de la puerta, asegúrese de que la energía eléctrica no esté conectada.
 - Conecte el control SÓLO a cables de bajo voltaje de 24 VOLTIOS.
- Para evitar la posibilidad de una LESIÓN GRAVE O INCLUSO LA MUERTE cuando la puerta del garaje se esté cerrando:
- Instale el control de la puerta de manera que quede a la vista desde la puerta del garaje, fuera del alcance de los niños a una altura mínima de 1.5 m y lejos de las partes móviles de la puerta.
 - NUNCA permita que los niños hagan funcionar o jueguen con los botones de control de la puerta ni con los transmisores de controles remotos.
 - Haga funcionar la puerta SÓLO si lo puede ver claramente, si la puerta está debidamente ajustada, y si no hay ninguna obstrucción en su recorrido.
 - SIEMPRE tenga a la vista la puerta del garaje hasta que esté completamente cerrada. NUNCA permita que alguien se atraviese en el recorrido de la puerta del garaje cuando se está cerrando.

ESTAS PIEZAS SE MUESTRAN EN SU TAMAÑO REAL

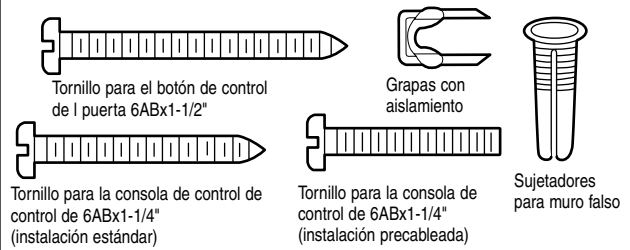
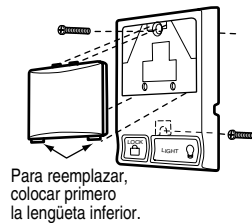
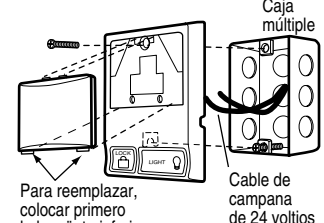


Figura 1 INSTALACIÓN ESTANDAR EN LA PARED

Figura 2 INSTALACIÓN PRECABLEADA



Para reemplazar, colocar primero la lengüeta inferior.



Para reemplazar, colocar primero la lengüeta inferior. Cable de campana de 24 voltios

Figura 3 PANEL DE CONTROL DE LA PUERTA

Figura 4 QUITAR LA TAPA

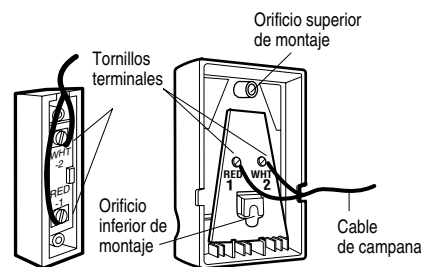
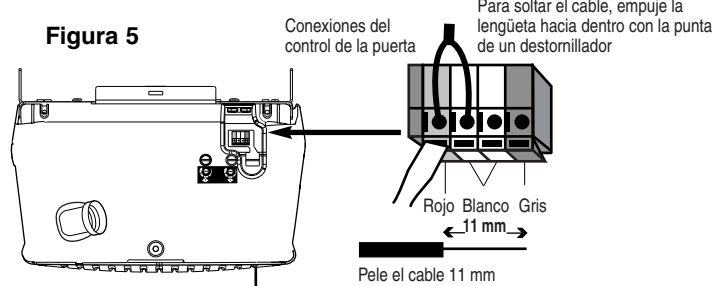


Figura 5



INSTALACIÓN PASO 7

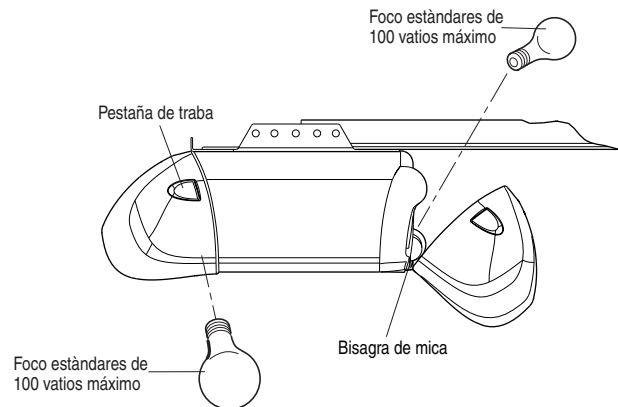
Instale el foco

- Oprima las lengüetas de desenganche ubicados a ambos lados de la lente. Rote la lente suavemente hacia atrás y hacia abajo hasta que la bisagra quede en la posición totalmente abierta. No quite la lente.
- Instale focos de hasta 100 vatios como máximo en cada portalámpara. En cuanto se conecte la electricidad, las luces se ENCENDERÁN y permanecerán encendidas por aproximadamente cuatro minutos y medio; luego, se APAGARÁN.
- Invierta el procedimiento para cerrar la lente.
- Si las focos se funden prematuramente debido a la vibración, use focos para abre-puertas de garaje.

NOTA: Sólo utilice focos estándares. El uso de focos de cuello corto o especiales puede sobrecalentar el panel o el portalámpara.

PRECAUCIÓN

- Para evitar que el panel o el portalámpara se SOBRECALIENTE,
- NO utilice focos de cuello corto o especiales.
 - NO utilice focos halógenas. Utilice SÓLO focos incandescentes.



INSTALACIÓN PASO 8

Montaje de la manija y la cuerda de emergencia

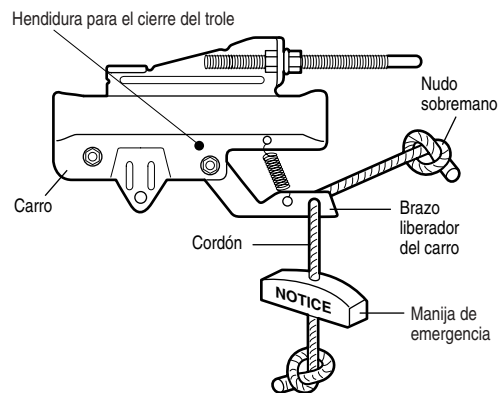
- Inserte un extremo del cuerda en la manija, de modo que la palabra "NOTICE" se lea correctamente como se muestra. Asegúrelo con un nudo sencillo por lo menos a 25 mm del extremo del cuerda para evitar que se suelte.
- Inserte el otro extremo del cuerda en el orificio del brazo liberador del carro.
- Ajuste el largo del cuerda para que la manija quede a 1.8 m del piso. Haga un nudo igual en ese extremo.
- **Instalación opcional:** Puede instalarse un candado en el brazo de desenganche del trole como una opción más de seguridad. Para utilizar esta característica usted debe perforar un orificio de 4.5 mm - 8 mm en la hendidura ubicada en el brazo de desenganche del trole. Instale el candado. Al usar esta característica el desenganche de emergencia no funciona a menos que se quite el candado.

NOTA: Si es necesario cortar el cuerda, queme el extremo cortado con un fósforo o encendedor para evitar que el cuerda se destuerza.

⚠ ADVERTENCIA

Para evitar la posibilidad de una LESIÓN GRAVE O INCLUSO LA MUERTE si la puerta del garaje se cae:

- De ser posible, use la manija de emergencia para soltar el carro SÓLO cuando la puerta del garaje esté CERRADA. Si los resortes están débiles o rotos, o bien si la puerta está desequilibrada, la puerta podría caerse rápida y/o inesperadamente mientras se encuentra abierta.
- NUNCA use la manija de emergencia a menos que la entrada del garaje esté libre de obstrucciones y no haya ninguna persona presente.
- NUNCA use la manija para abrir o cerrar la puerta. Si el nudo de la cuerda se suelta, usted podría caerse.

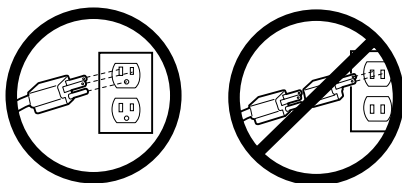


INSTALACIÓN PASO 9

Requisitos para la instalación eléctrica

Para evitar problemas con la instalación, no opere el abre-puertas de garaje ahora.

Para reducir el riesgo de choque eléctrico, su abre-puertas de garaje viene con una clavija de conexión a tierra de tres patas. Esta clavija sólo se puede conectar a una toma de corriente puesta a tierra y con tres entradas. Si la clavija no entra en la toma de corriente que usted tiene, diríjase a un electricista profesional para que instale la toma de corriente correcta.



CORRECTO

INCORRECTO

Si la reglamentación local exige que su abre-puertas tenga cableado permanente, siga los siguientes pasos.

Para conectar el abre-puertas a la corriente eléctrica de forma permanente a través del orificio de 22 mm localizado en la parte superior del motor:

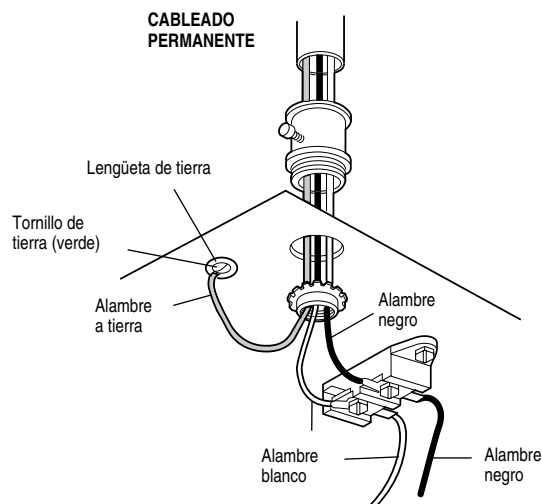
- Quite los tornillos de la tapa del abre-puertas y deje la cubierta hacia un lado.
- Quite el cable de tres entradas.
- Conecte el cable (línea) negro al tornillo del terminal de cobre, el cable blanco (neutral) al tornillo del terminal color plata, y el cable a tierra al tornillo verde de la puesta a tierra. **El abre-puertas debe de estar puesto a tierra.**
- Vuelva a poner la tapa.

Para evitar problemas con la instalación, no opere el abre-puertas de garaje ahora.

⚠ ADVERTENCIA

Para evitar la posibilidad de una LESIÓN GRAVE O INCLUSO LA MUERTE por electrocución o incendio:

- Asegúrese de que el abre-puertas no esté conectado a la energía eléctrica y desconecte la alimentación eléctrica al circuito ANTES de quitar la cubierta para establecer la conexión del cableado permanente.
- Tanto la instalación como el cableado de la puerta de garaje DEBEN cumplir con todos los códigos locales eléctricos y de construcción.
- NUNCA use una extensión ni un adaptador de dos hilos, tampoco modifique la clavija para poder enchufarla. Asegúrese de que el abre-puertas esté puesto a tierra.



INSTALACIÓN PASO 10

Sujete la ménsula de la puerta

Siga las instrucciones que correspondan al tipo de puerta de garaje que usted tenga, como se muestra en la ilustración o en la página siguiente.

Si usa un puntal horizontal, éste debe de ser lo suficientemente largo para sujetarlo a dos soportes verticales. Si usa un puntal vertical, éste debe de ser de la altura del panel superior.

La ilustración muestra una pieza de hierro en ángulo como puntal horizontal. Para el puntal vertical se deben usar dos piezas de hierro en ángulo con objeto de crear un soporte en "U" (Figura 1). La mejor solución es ponerse en contacto con la compañía fabricante de la puerta de su garaje e informarse acerca de los juegos de refuerzos de puertas para la instalación de un abre-puertas.

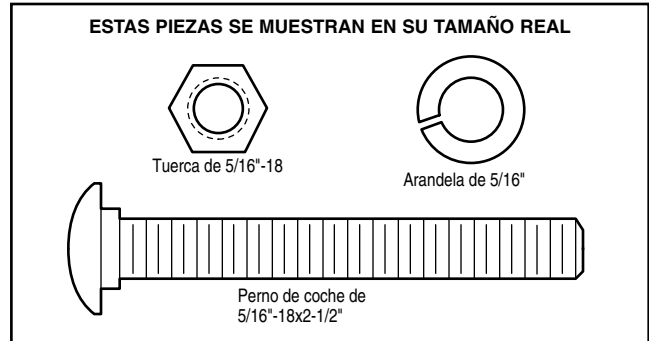
NOTA: Muchas de las instalaciones con soporte o puntal vertical toman en cuenta la instalación directa de los pasadores de chaveta y el brazo de la puerta. En este caso, no necesitará instalar la ménsula para la puerta; continúe con el paso 11.

PUERTAS SECCIONALES

- Coloque la ménsula para la puerta sobre la línea central vertical que había marcado previamente para la instalación de la ménsula del cabezal. Asegúrese de que la leyenda "UP" (arriba) esté en la posición correcta, como se indica en la parte interior de la ménsula (Figura 2).
- Coloque la ménsula sobre la parte delantera de la puerta, dentro de los siguientes límites:
 - A) El borde superior de la ménsula 5 - 10 cm debajo del borde superior de la puerta.
 - B) La orilla superior de la ménsula debe estar directamente debajo de algún soporte de la estructura a lo largo de la parte superior de la puerta.

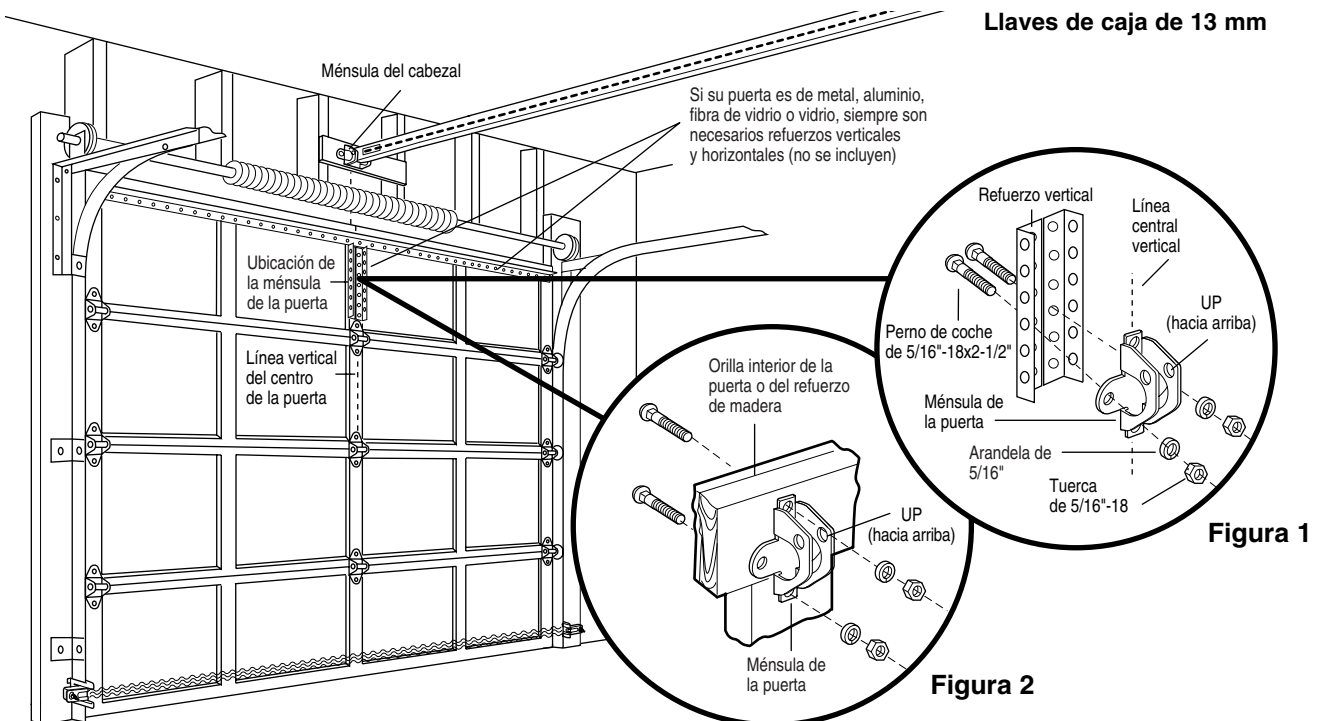
PRECAUCIÓN

Para evitar que la puerta del garaje se dañe, refuerce su parte interior con ángulos de hierro tanto vertical como horizontalmente.



- Marque y taladre dos orificios de 8 mm para los sujetadores a la derecha y a la izquierda. Sujete la ménsula al refuerzo vertical (si éste existe), como se muestra en la figura 1.

Si el tipo de instalación de su garaje no requiere refuerzos verticales, pero sí necesita los orificios para los sujetadores de la ménsula, taladre y sujete como se muestra en la figura 2.



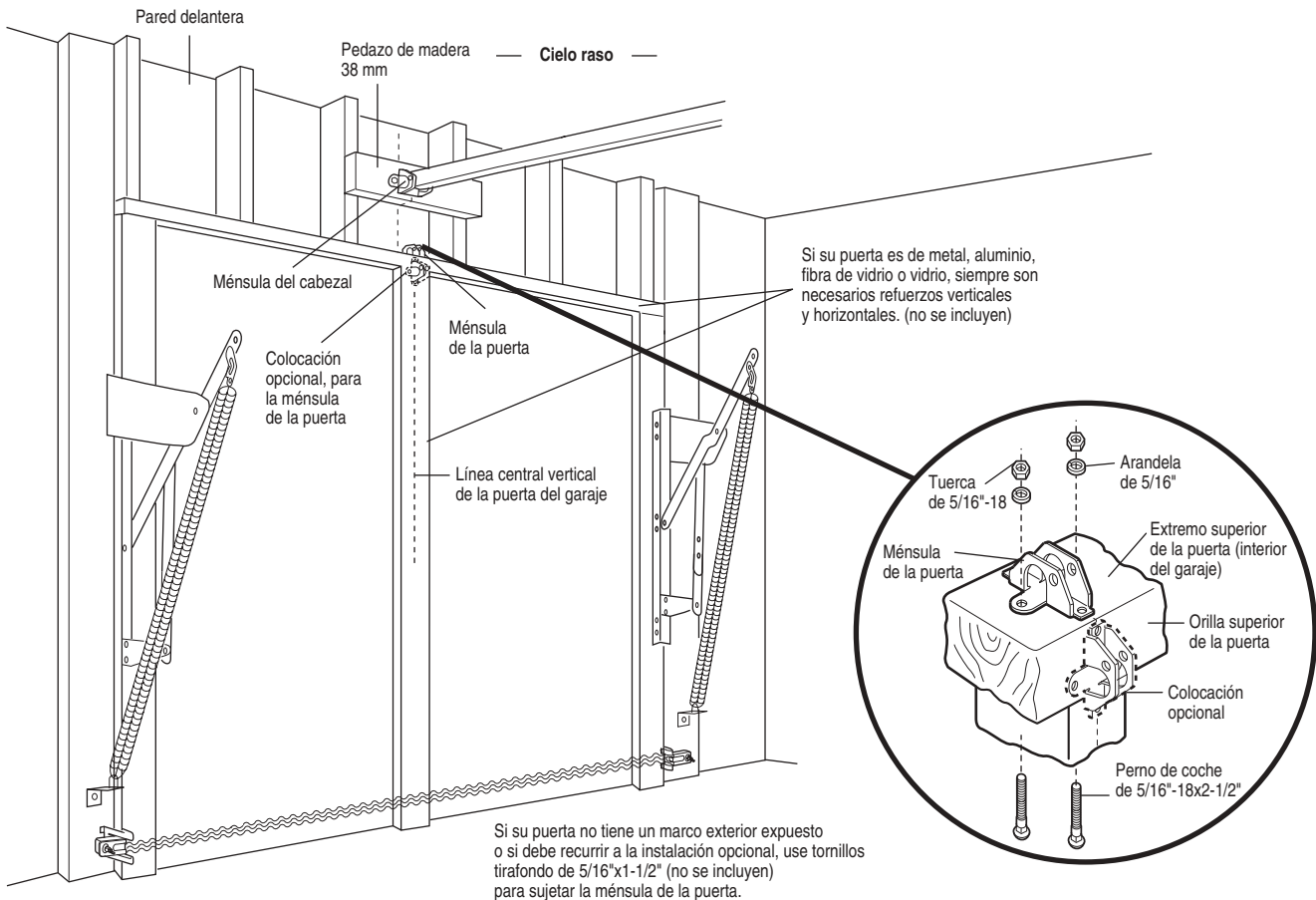
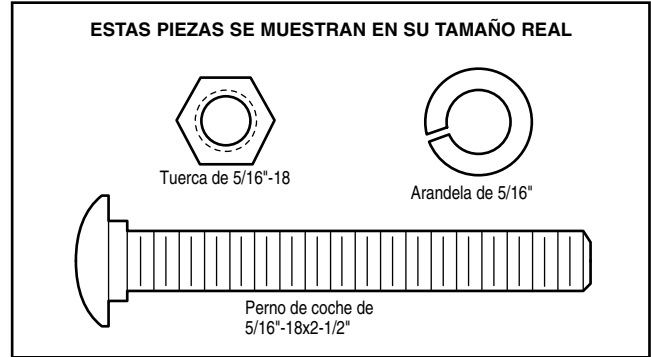
PUERTAS DE UNA SOLA PIEZA

Lea y respete todas las advertencias e instrucciones respecto a los refuerzos, contenidas en la página anterior, respecto a la instalación de puertas plegables, ya que todos los refuerzos para su puerta de una sola pieza son los mismos.

- Coloque la ménsula de la puerta al centro de la parte superior de la misma, alineada con la ménsula del cabezal, según se indica en la ilustración. Marque ya sea los orificios derecho e izquierdo o superior e inferior.
- Taladre los orificios pilotos de 8 mm y sujete la ménsula con la pernería que se incluye.

Si la puerta no tiene un marco exterior expuesto, taladre dos orificios de 5 mm y sujete la ménsula a la parte superior de la puerta con tornillos de cabeza cuadrada de 5/16"x1-1/2" (no se incluyen).

NOTA: La ménsula para la puerta puede ser instalada sobre la orilla superior de la puerta si es necesario para su instalación en particular. (Vea la ilustración de colocación opcional, señalada con la línea punteada). Taladre dos orificios de 5 mm y sujete la ménsula a la parte superior de la puerta con tornillos de cabeza cuadrada de 5/16"x1-1/2" (no se incluyen).



Llaves de caja de 13 mm

INSTALACIÓN PASO 11

Conectar el brazo de la puerta al carro

Siga las instrucciones que correspondan al tipo de puerta de garaje que usted tenga, como se muestra a continuación y en las dos páginas siguientes.

SÓLO PARA PUERTA SECCIONAL

- Asegúrese de que la puerta del garaje esté bien cerrada. Jale la manija de emergencia para desconectar el carro exterior al carro interior. Deslizar el carro exterior hacia atrás (lejos de la puerta) unos 5 cm como muestran las figuras 1, 2 y 3.
- **Figura 1:**
 - Fije el brazo recto al carro exterior por medio del pasador de chaveta 5/16"x1". Asegure la conexión con un seguro de aro.
 - Fije la sección curva de la misma forma a la ménsula de la puerta, utilizando el pasador de chaveta 5/16"x1-1/4".
- **Figura 2:**
 - Junte los dos brazos hasta poder alinear dos orificios para unir las secciones, procurando que los orificios estén tan separados como sea posible para aumentar la rigidez en el brazo de la puerta.
- **Figura 3, alineación alternativa del orificio:**
 - Si los orificios del brazo curvo están arriba de los del brazo recto, desconecte el brazo recto y corte 15 cm de la punta de salida. Reconéctelo al carro con la punta cortada hacia abajo como se muestra.
 - Junte los dos brazos.
 - Busque dos pares de orificios alineados y únalos con pernos, arandelas, y tuercas.
- Continúe con el paso 1, Página 29. El carro se reconectará automáticamente cuando se accione el abre-puertas de garaje.

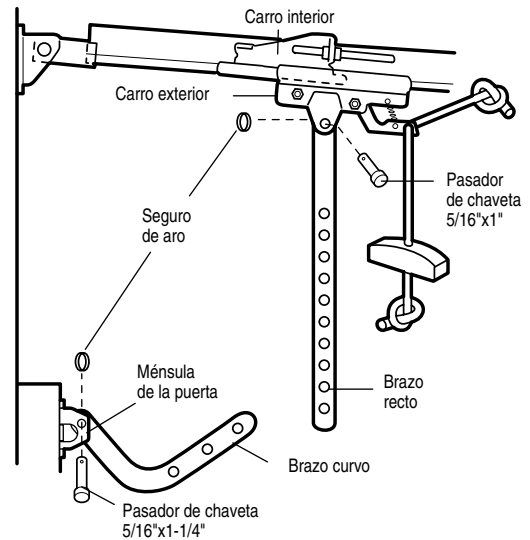


Figura 1

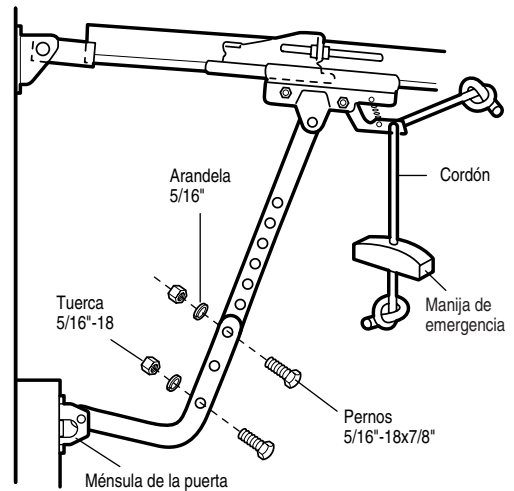


Figura 2

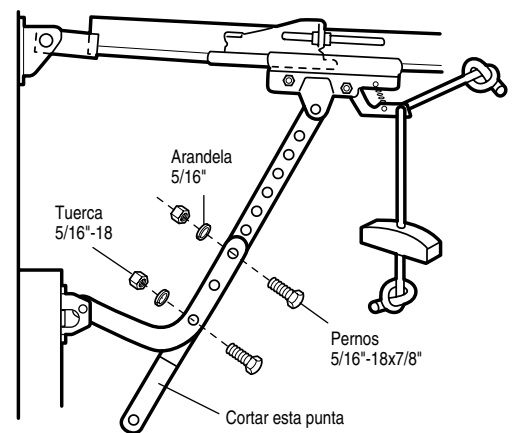
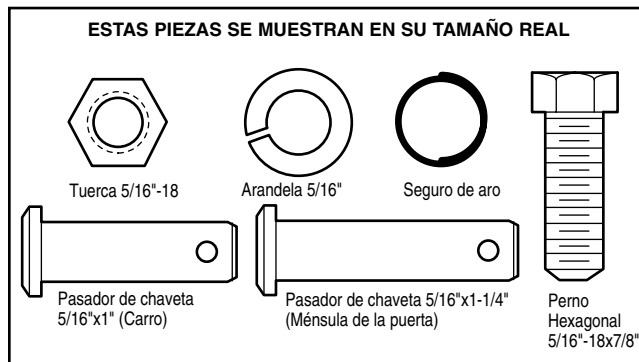


Figura 3

TODAS LAS PUERTAS DE UNA SOLA PIEZA

1. Arme el brazo de la puerta:

- Sujete las dos secciones de los brazos de la puerta (recta y curva) a la mayor distancia posible, (de manera que dos o tres de los orificios se superpongan uno al otro).
- Cierre la puerta y sujete la sección recta del brazo a la ménsula de la puerta con el pasador de chaveta de 5/16"x1-1/4".
- Asegúrelos con un anillo sujetador.

2. Procedimiento de ajuste para puertas de una sola pieza:

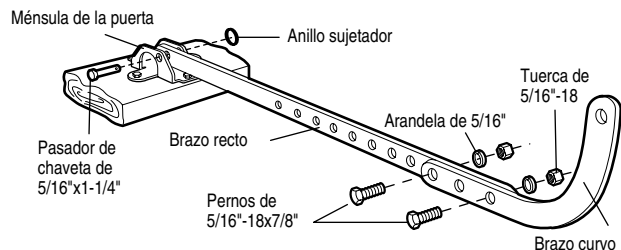
Si tiene una puerta de una sola pieza, deberá ajustar los límites del recorrido antes de conectar el brazo de la puerta. Los tornillos de ajuste del límite de recorrido se encuentran en el panel del lado izquierdo, como se muestra en la ilustración que aparece en la página 29. Siga el procedimiento de ajuste que aparece a continuación.

• Ajuste de abrir: disminuya el límite del recorrido hacia arriba

- Ajuste el tornillo para ajustar el límite del recorrido hacia arriba, dándole cuatro vueltas hacia la izquierda (dirección opuesta a las manecillas del reloj).
- Oprima la barra pulsadora del control de la puerta. El carro deberá ir hasta la posición de completamente abierta.
- Abra la puerta manualmente de manera que esté paralela al piso y suba el brazo de la puerta hasta el carro. El brazo de la puerta deberá tocar el carro justo en la parte posterior del orificio conector. Consulte la ilustración correspondiente al brazo de la puerta y al carro en su posición completamente abierta. Si el brazo no se extiende lo suficiente, ajuste el límite del recorrido de la puerta; cada revolución del tornillo equivale a 5 cm del recorrido del carro.

• Ajuste de cerrar: disminuya el límite del recorrido hacia abajo

- Ajuste el tornillo para ajustar el límite del recorrido hacia abajo, dándole cuatro vueltas completas hacia la derecha (dirección de las manecillas del reloj).

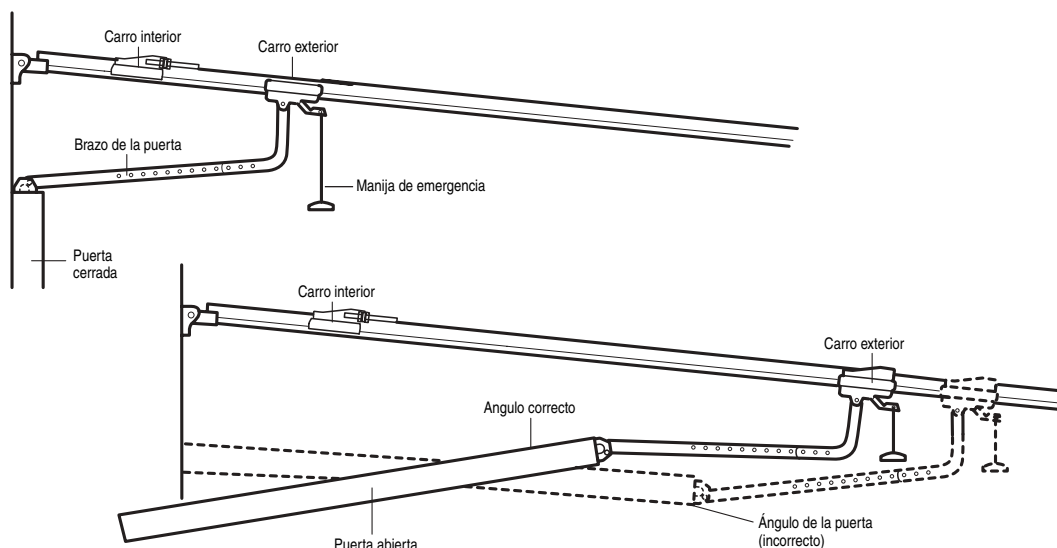


- Oprima la barra pulsadora del control de la puerta. El carro deberá ir hasta la posición de completamente cerrada.
- Cierre la puerta manualmente y suba el brazo de la puerta hasta el carro. El brazo de la puerta deberá tocar el carro justo adelante del orificio conector del brazo de la puerta. Consulte la ilustración correspondiente al brazo de la puerta y al carro en su posición de completamente cerrada. Si el brazo queda detrás del orificio conector, ajuste el límite del recorrido de la puerta; cada revolución del tornillo equivale a 5 cm de recorrido del carro.

3. Conecte el brazo de la puerta al carro:

- Cierre la puerta y sujete el brazo curvo al orificio conector del carro con el último pasador de chaveta. Es posible que necesite levantar un poco la puerta manualmente para poder hacer esta conexión.
- Asegúrelo con un anillo sujetador.
- Opere el abre-puertas por un ciclo completo de su recorrido. Si la puerta parece estar en cierto ángulo (hacia atrás) cuando está completamente abierta, así como se muestra en la siguiente ilustración, disminuya el límite del recorrido hacia arriba hasta que la puerta quede paralela al piso.

NOTA: Al establecer el límite hacia arriba como aparece en la página siguiente, la puerta no debe tener una inclinación "hacia atrás" cuando esté totalmente abierta, como se ilustra abajo. Una ligera inclinación hacia atrás hará que la puerta se atasque innecesariamente y/o que la operación no sea uniforme al abrir o cerrar la puerta desde la posición de totalmente abierta.



AJUSTES, PASO 1

Ajuste el límite del recorrido hacia arriba y hacia abajo

Al ajustar el límite del recorrido de la puerta, se regula hasta que punto la puerta se detendrá al abrirse y cerrarse.

Para activar el abre-puertas de garaje, oprimir el botón iluminado. Activar el abre-puertas de garaje durante un ciclo completo de operación.

- ¿la puerta se abre y cierra completamente?
- ¿la puerta permanece cerrada y no se mueve en reversa inesperadamente cuando no está completamente cerrada?

Si su puerta pasa estas dos pruebas, no necesitará hacer más ajustes al límite del recorrido. Pero si no pasa la prueba de la reversa, tendrá que ajustar el límite del recorrido (ajustes, paso 3).

El procedimiento de ajuste se explica a continuación. Lea el procedimiento con cuidado antes de continuar con el paso 2 de la sección de Ajustes. Use un desarmador para hacer los ajustes al límite del recorrido. **Después de llevar a cabo un ajuste, deje que el abre-puertas corra un ciclo completo de su recorrido.**

NOTA: Abrir y cerrar la puerta varias veces durante el procedimiento de ajuste puede hacer que el abre-puertas se sobrecaliente y al sobrecalentarse se apagará. Sólo espere quince minutos y continúe con los ajustes necesarios.

NOTA: Si algo interfiere con el recorrido de la puerta en su trayectoria hacia arriba, ésta se detendrá. Pero si algo la obstruye en su trayectoria hacia abajo (incluyendo un posible desnivel o desequilibrio), esto activará la auto-reversa y la puerta retrocederá.

CÓMO Y CUÁNDO AJUSTAR LOS LÍMITES DEL RECORRIDO

- **Si la puerta no se abre completamente, pero se abre por lo menos 1.5 m:**

Aumentar la carrera de apertura. Girar el tornillo de apertura (UP) hacia la derecha. Una vuelta del tornillo resulta en 5 cm de carrera.

NOTA: Para evitar que el carro golpee el tornillo de protección de la cubierta, mantenga una distancia mínima de 5 cm a 10 cm entre el carro y el perno.

- **Si la puerta no abre al menos 1.5 m:**
Ajustar el tornillo de apertura (UP) como se indica en el Paso 2.

- **Si la puerta no cierra totalmente:**

Aumentar la carrera de cierre. Girar el tornillo (DOWN) hacia la izquierda. Una vuelta del tornillo representa 5 cm de carrera.

Si la puerta aún no cierra por completo y el carro golpea la ménsula (ver página 4 ó 5), tratar de alargar el brazo de la puerta (ver página 27) y disminuya el límite del recorrido hacia abajo.

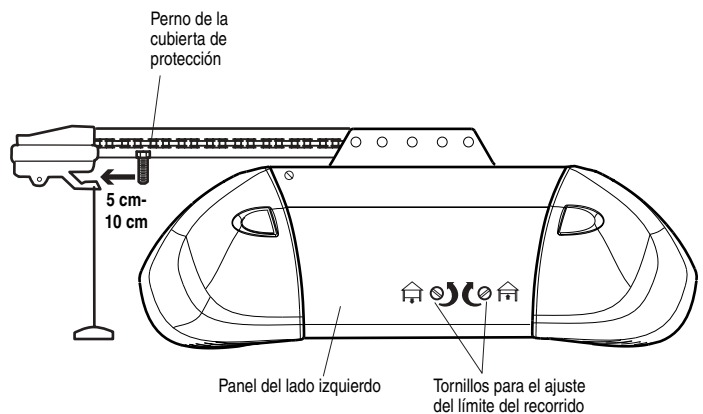
⚠ ADVERTENCIA

Si el sistema de auto-reversa de seguridad no se ha instalado debidamente, las personas (y los niños pequeños en particular) podrían sufrir LESIONES GRAVES O INCLUSO LA MUERTE cuando se cierre la puerta del garaje.

- El ajuste incorrecto de los límites del recorrido de la puerta del garaje habrá de interferir con la operación adecuada del sistema de auto-reversa de seguridad.
- Si se ajusta uno de los controles (límites de la fuerza o del recorrido), es posible que sea necesario ajustar también el otro control.
- Después de llevar a cabo cualquier ajuste, SE DEBE probar el sistema de auto-reversa de seguridad. La puerta DEBE retroceder al entrar en contacto con un objeto de 38 mm de altura acostado en el piso.

PRECAUCIÓN

Para evitar que los vehículos sufran daños, de que cuando la puerta esté completamente abierta quede suficiente espacio asegúrese.



Calcomanía de ajustes

- **Si el abre-puertas de garaje da reversa al cerrar totalmente:**

Disminuir la carrera de cierre. Girar el tornillo (DOWN) a la derecha. Una vuelta representa 5 cm de carrera.

- **Si la puerta da reversa en el cierre y no hay nada que interfiera en su camino:**

Pruebe la puerta para verificar que no se doble ni se atasque. Jale la manija de desenganche de emergencia, y abra y cierre la puerta manualmente. Si la puerta atasca, llame a un técnico especializado en sistemas de puertas. Si la puerta no parece estar desnivelada ni se atasca, continúe con el ajuste de la fuerza del movimiento hacia abajo de la puerta (cerrada), como se indica en el paso 2 de la sección de Ajustes.

AJUSTES, PASO 2

Ajuste la fuerza

Los tornillos para el ajuste de la fuerza del abre-puertas se encuentran en el panel posterior del abre-puertas. Estos ajustes controlarán la fuerza que será necesaria para abrir y cerrar la puerta.

Si la fuerza está muy débil, es posible que la trayectoria de la puerta esté interrumpida por retrocesos molestos al cerrar (movimiento hacia abajo) y detenciones al abrir (movimiento hacia arriba). El clima puede afectar el movimiento de la puerta, así que es posible que tenga que hacer algunos ajustes ocasionalmente.

El máximo ajuste de la fuerza para los tornillos es 3/4 de vuelta, no trate de forzar el tornillo más allá de este punto. Use un desarmador para hacer los ajustes.

NOTA: Si algo interfiere con el recorrido de la puerta en su trayectoria hacia arriba, la puerta se detendrá. Pero si algo obstruye su trayectoria hacia abajo (incluyendo un posible desnivel o desequilibrio), esto activará la auto-reversa y la puerta retrocederá.

CÓMO Y CUÁNDO AJUSTAR LA FUERZA DEL ABRE-PUERTAS

1. Pruebe la fuerza del recorrido HACIA ABAJO (cerrar)

- Cierre la puerta manualmente agarrándola por la parte inferior y deténgala más o menos a la mitad de su trayectoria HACIA ABAJO (cerrar); la puerta deberá retroceder. Si la puerta retrocede a la mitad de la trayectoria, esto no garantiza que retrocederá al toparse con una obstrucción de 38 mm. Siga con el paso 3 de la sección de Ajustes.

Si es difícil sostener la puerta, o bien si la puerta no retrocede, DISMINUYA la fuerza del movimiento HACIA ABAJO (cerrar), con el tornillo de ajuste dándole vuelta hacia la izquierda (dirección opuesta a las manecillas del reloj). Haga pequeños ajustes hasta que la puerta entre en reversa correctamente. Después de llevar a cabo un ajuste, mande el abre-puertas a correr un ciclo completo de su trayectoria.

- Si la puerta retrocede automáticamente en la trayectoria hacia abajo (cerrar), y las luces del abre-puertas no están parpadeando, AUMENTE** la fuerza de la trayectoria HACIA ABAJO (cerrar) con el tornillo de ajuste dándole vuelta hacia la derecha (dirección de las manecillas del reloj). Haga pequeños ajustes hasta que la puerta haga un ciclo completo y después de llevar a cabo el ajuste, mande el abre-puertas a correr un ciclo completo de su trayectoria. No aumente la fuerza más del mínimo necesario para cerrar la puerta.

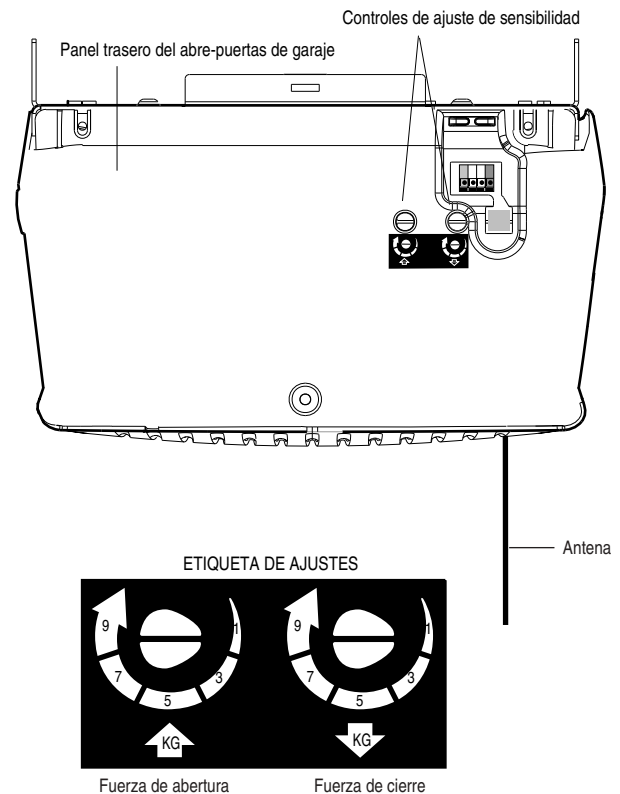
2. Pruebe la fuerza del recorrido HACIA ARRIBA (abrir):

- Cierre la puerta manualmente agarrándola por la parte inferior y deténgala más o menos en la mitad de su trayectoria HACIA ARRIBA (abrir); la puerta deberá retroceder. **Si no se detiene o es difícil sostenerla, DISMINUYA** la fuerza de la puerta HACIA ARRIBA con el tornillo de ajuste, dándole vuelta hacia la izquierda (dirección opuesta a las manecillas del reloj). Haga pequeños ajustes hasta que la puerta haga un ciclo completo. Después de llevar a cabo el ajuste, mande el abre-puertas a correr un ciclo completo de su trayectoria.

⚠ ADVERTENCIA

Si el sistema de reversa de seguridad no se ha instalado debidamente, las personas (y los niños pequeños en particular) podrían sufrir LESIONES GRAVES O INCLUSO LA MUERTE cuando se cierre la puerta del garaje.

- Si el límite de la fuerza del abre-puertas de garaje es excesivo habrá de interferir con la operación adecuada del sistema de auto-reversa de seguridad.
- NUNCA aumente la fuerza más allá de la cantidad mínima que se requiera para cerrar la puerta del garaje.
- NUNCA use los ajustes de la fuerza para compensar si la puerta del garaje se atasca o se atora.
- Si se ajusta uno de los controles (límites de la fuerza o del recorrido), es posible que sea necesario ajustar también el otro control.
- Después de llevar a cabo cualquier ajuste, SE DEBE probar el sistema de auto-reversa de seguridad. La puerta DEBE retroceder al entrar en contacto con un objeto de 38 mm de altura acostado en el piso.



- **Si la puerta no abre por lo menos 1.5 m, AUMENTE** la fuerza del RECORRIDO HACIA ARRIBA (abrir) con el tornillo de ajuste, dándole vuelta hacia la derecha (dirección de las manecillas del reloj). Haga pequeños ajustes hasta que la puerta se abra completamente. Reajuste el límite del recorrido HACIA ARRIBA si es necesario. Después de llevar a cabo el ajuste, mande el abre-puertas a correr un ciclo completo de su trayectoria.

AJUSTES, PASO 3

Pruebe el sistema de reversa de seguridad

Instalación del abre-puertas de garaje

PRUEBA

- Abra completamente la puerta, coloque un pedazo de madera de 38 mm acostado sobre el piso al centro de la puerta del garaje.
- Opere la puerta en la dirección hacia abajo. La puerta **deberá** entrar en reversa automáticamente al hacer contacto con la obstrucción.

AJUSTE

- Si la puerta se detiene al toparse con la obstrucción, esto significa que el recorrido HACIA ABAJO (cerrar) no es suficiente. Aumente el límite del recorrido HACIA ABAJO, con el tornillo correspondiente, haciéndolo girar 1/4 de vuelta hacia la izquierda.

NOTA: Si su puerta es seccional, asegúrese de que los ajustes al límite no hagan que el brazo de la puerta se mueva más allá de una posición recta hacia arriba y hacia abajo. Vea la ilustración de la página 27.

- Repita la prueba.
- Si la puerta retrocede automáticamente al hacer contacto con el pedazo de madera de 38 mm, quite la obstrucción y abra y cierre la puerta completamente por lo menos tres o cuatro veces para verificar que el ajuste sea adecuado.

VERIFICACIÓN IMPORTANTE DE SEGURIDAD:

Repita los pasos de ajustes 1, 2 y 3 cada vez que:

- Se hagan ajustes al largo del brazo de la puerta, los límites del recorrido, o los controles de la fuerza.
- Se hagan reparaciones o ajustes a la puerta del garaje (incluyendo los resortes y la pernería).
- Se hagan reparaciones al piso del garaje porque está desnivelado, etc.
- Se hagan reparaciones o ajustes al abre-puertas.

Instalación del puertas

PRUEBA

El abre-puertas debe dar marcha atrás al entrar en contacto con una obstrucción. Una puerta que está cerrándose debe dar marcha atrás con muy poco esfuerzo y abrir completamente. Vea Ajustes, Paso 2.

- Usar una tabla de 38 mm colocada sobre la pared o en la orilla de la puerta.
- **EN UNA PUERTA CORREDIZA**, colocar una tabla de 38 mm entre la puerta y la pared cuando la puerta se esté cerrando. La puerta debe dar marcha atrás sobre la tabla y abrirse completamente. Repetir en la pared opuesta si se han instalado dos abre-puertas.
- **EN UNA PUERTA BATIENTE QUE ABRA HACIA FUERA**, insertar una tabla de 38 mm entre las secciones de la puerta que se están cerrando. Las secciones de la puerta deben dar marcha atrás y abrirse completamente.

AJUSTE

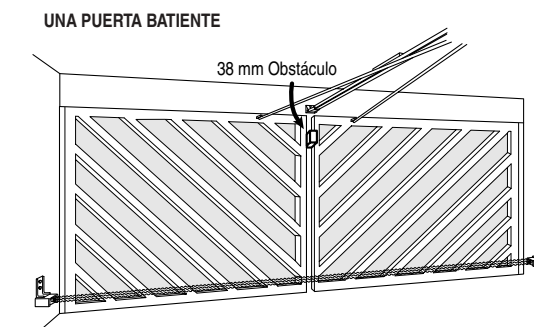
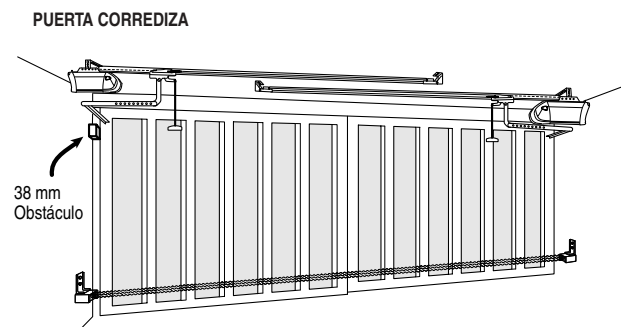
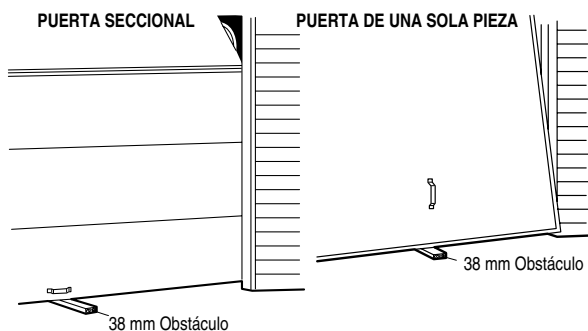
- Si la puerta se detiene ante la obstrucción, el recorrido no es suficiente en la dirección de cerrado. Aumentar el límite HACIA ABAJO, girando el tornillo de ajuste 1/4 de vuelta en la dirección opuesta a las manecillas del reloj. Repetir la prueba.
- Cuando la puerta dé marcha atrás al toparse con la tabla de 38 mm, retirar la obstrucción y hacer funcionar el abre-puertas un ciclo completo de su recorrido para probar el ajuste.

Si la puerta no da marcha atrás después de realizar varios ajustes, solicite servicio profesional.

⚠ ADVERTENCIA

Si el sistema de reversa de seguridad no se ha instalado debidamente, las personas (y los niños pequeños en particular) podrían sufrir LESIONES GRAVES O INCLUSO LA MUERTE cuando se cierre la puerta del garaje.

- El sistema de reversa de seguridad **SE DEBE** probar cada mes.
- Si se ajusta uno de los controles (límites de la fuerza o del recorrido), es posible que sea necesario ajustar también el otro control.
- Después de llevar a cabo cualquier ajuste, **SE DEBE** probar el sistema de reversa de seguridad. La puerta **DEBE** retroceder al entrar en contacto con un objeto de 38 mm acostado en el piso.



OPERACIÓN

INSTRUCCIONES DE SEGURIDAD IMPORTANTES

ADVERTENCIA

Para reducir el riesgo de LESIONES GRAVES o LA MUERTE:

1. LEA Y RESPETE TODAS LAS ADVERTENCIAS Y LAS INSTRUCCIONES DE OPERACIÓN.
2. SIEMPRE conserve los controles remotos lejos del alcance de los niños. NUNCA permita que los niños operen o jueguen con los botones del control del abre-puertas de garaje ni con los controles remotos.
3. SÓLO active el abre-puertas de garaje siempre y cuando lo puedan ver con claridad, esté debidamente ajustado y no haya ninguna obstrucción en su recorrido al cerrarse.
4. Tenga SIEMPRE la puerta del garaje a la vista hasta que esté completamente cerrada. NADIE DEBE ATRAVESAR EL RECORRIDO DE LA PUERTA CUANDO ESTÁ EN MOVIMIENTO.
5. NADIE DEBE PASAR POR DEBAJO DE LA PUERTA SI ESTÁ DETENIDA Y PARCIALMENTE ABIERTA.
6. De ser posible, use el desenganche de emergencia para soltar el carro SÓLO cuando la puerta del garaje esté CERRADA. Si los resortes están débiles o rotos, o bien si la puerta está desequilibrada esta podría caerse rápida y/o inesperadamente cuando esté abierta.
7. NUNCA use la manija del desenganche de emergencia a menos que la entrada al garaje esté libre de obstrucciones y no haya ninguna persona presente.
8. NUNCA use la manija para jalar la puerta para abrirla o cerrarla. Si el nudo de la cuerda se suelta, usted podría caerse.
9. Si se ajusta uno de los controles (límites de la fuerza o del recorrido), es posible que sea necesario ajustar también el otro control.
10. Después de llevar a cabo cualquier ajuste, SE DEBE probar el sistema de reversa de seguridad.
11. El sistema de reversa de seguridad SE DEBE probar cada mes. La puerta DEBE retroceder al entrar en contacto con un objeto de 38 mm de altura o acostado en el piso.
12. MANTENGA SIEMPRE LA PUERTA DEL GARAJE DEBIDAMENTE EQUILIBRADA (vea la página 3). Si la puerta no está debidamente equilibrada podría no retroceder cuando así se requiera, lo que podría ocasionar una lesión grave e incluso la muerte.
13. Todas las reparaciones necesarias para los cables, resortes y otras piezas las DEBE llevar a cabo un técnico especializado en sistemas de puertas, pues todas estas piezas están bajo una tensión EXTREMA.
14. SIEMPRE desconecte el suministro de energía eléctrica al abre-puertas de garaje antes de llevar a cabo cualquier reparación o de quitar las cubiertas.
15. **CONSERVE ESTAS INSTRUCCIONES.**

Cómo usar su abre-puertas de garaje

Su abre-puertas Security+® y el control remoto han sido programados en la fábrica con un código coincidente que cambia cada vez que se usa, accedendo al azar más de 10000 millones de códigos nuevos. Su abre-puertas funcionará con varios controles remotos Security+®, utilizando hasta 54 funciones y un Sistema de llave digital de Security+®. Si compra un control remoto nuevo, o si desea desactivar algún control remoto, siga las instrucciones que aparecen en la sección sobre *Cómo programar el abre-puertas*.

Active su abre-puertas de alguna de las siguientes maneras:

- *El Control remoto:* Mantenga oprimido el botón grande hasta que la puerta se empiece a mover.
- *El Control de pared de la puerta:* Mantenga oprimido el botón o barra hasta que la puerta se empiece a mover.
- *La llave digital (Vea Accesorios):* Si se incluye con su abre-puertas de garaje, deberá estar programado antes de usarlo. Vea *Cómo programar el abre-puertas*.

Una vez activado el abre puertas

1. Si la puerta está abierta se va a cerrar. Si la puerta está cerrada se va a abrir.
2. Si la puerta se está cerrando va a retroceder.
3. Si la puerta se está abriendo, se va a detener.
4. Si la puerta se ha detenido en un posición parcialmente abierta, se va a cerrar.
5. Si al cerrarse la puerta se topó con alguna obstrucción, va a retroceder.
6. Si al abrirse la puerta se topó con alguna obstrucción, se va a detener.

7. Protector System® opcional usa un rayo invisible que cuando es interrumpido al momento en que la puerta se está cerrando hace que la puerta regrese y si estaba abierta no se cerrará mientras se obstruya el paso del rayo. Este Sistema es MUY RECOMENDABLE si tiene niños.

Las luces del abre-puertas se van a encender en los siguientes casos: siempre que conecte el abre-puertas inicialmente; cuando se restaura el suministro de energía después de una interrupción; cuando el abre-puertas se activa.

Las luces también se encenderán si alguien camina por la puerta del garaje cuando esté abierta. Las luces se apagan automáticamente después de cuatro minutos y medio. Las bombillas deben ser de 100 vatios máximo.

Característica de sincronizador para cerrar (SÓLO disponible cuando el Protector System® es instalada): La puerta puede programarse para cerrar automáticamente en 10 segundos, 45 segundos, 2 minutos ó 3 minutos.

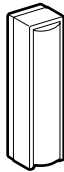
La característica del sincronizador para cerrar está pregraduada de fábrica a la posición inactiva. Para activar esta característica oprima y mantenga oprimido el botón en el control multifuncional de la puerta hasta que la luz del abridor centellee una vez (10 segundos aproximadamente). Un solo centelleo indica que el sincronizador se ha regrado a 10 segundos. Repita el procedimiento y la luz centellea dos veces lo que significa que el sincronizador se ha regrado a 45 segundos. Repita nuevamente para un intervalo de 2 minutos, etc., hasta un máximo de 4 centelleos y 3 minutos.

Para desactivar, gradúe el sincronizador a 3 minutos. Oprima y mantenga oprimido nuevamente el botón Lock en el control multifuncional de la puerta por 10 segundos y la luz del abridor centellea 5 veces. La característica está ahora desactivada.

Cómo usar la unidad de control de pared

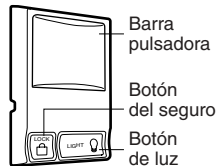
BOTÓN ILUMINADO DE CONTROL DE LA PUERTA (MODELO 1215E)

Presione el botón para abrir o cerrar la puerta. Vuelva a presionarlo para hacer funcionar el mecanismo de reversa de la puerta durante el ciclo de cerrado o para detener la puerta mientras se está abriendo.



EL PANEL DE CONTROL DE FUNCIONES MÚLTIPLES (MODELO 1225E)

Oprima la barra pulsadora para abrir o cerrar la puerta. Oprima de nuevo para que la puerta retroceda en el ciclo de cierre o para detenerlo cuando se esté abriendo.



Luz

Oprima el botón de luz para encender o apagar la luz del abre-puertas. Este botón no controla las luces del abre-puertas cuando la puerta está en movimiento. Si usted enciende la luz y luego activa el abre-puertas, la luz permanecerá encendida durante cuatro minutos y medio. Oprima el botón nuevamente para que la luz se apague antes.

Seguro

Esta función está diseñada para evitar la operación de la puerta con los controles remotos. No obstante, la puerta se puede abrir y cerrar con los siguientes accesorios: el control del abre-puertas, la cerradura con llave exterior, y la unidad de entrada digital.

Para activar esta función oprima y mantenga oprimido el botón del seguro (Lock) por dos segundos. La luz del botón va a parpadear mientras esté activado el seguro.

Para desactivar la función, mantenga oprimido el botón del seguro por dos segundos. La luz del botón dejará de parpadear. La función del seguro también se apaga siempre que el botón "Learn" (aprendizaje) del panel del motor esté activado.

Para abrir la puerta manualmente

⚠ ADVERTENCIA

Para evitar la posibilidad de una LESIÓN GRAVE O INCLUSO LA MUERTE si la puerta del garaje se cae:

- De ser posible, use la manija del desenganche de emergencia para soltar el carro SÓLO cuando la puerta de el garaje esté CERRADA. Si los resortes están débiles o rotos, o bien si la puerta está desequilibrada y se abre podría caerse rápida y/o inesperadamente.
- NUNCA use la manija de desenganche de emergencia a menos que la entrada del garaje esté libre de obstrucciones y no haya ninguna persona presente.
- NUNCA use la manija para abrir o cerrar la puerta. Si el nudo de la cuerda se suelta, usted podría caerse.

Si es posible, la puerta se debe cerrar completamente. Jale la manija del desenganche de emergencia y levante la puerta manualmente. Para volver a conectar la puerta al abre-puertas, oprima la barra pulsadora de control de la puerta.



POSICIÓN DE DESENGANCHE MANUAL

El dispositivo de cierre evita que el carro se vuelva a conectar automáticamente. Tire de la manija de emergencia hacia abajo y hacia atrás. (hacia el abre-puertas de garaje). La puerta se puede subir y bajar manualmente siempre que sea necesario. Para desenganchar la función de cierre, tire la manija directamente hacia abajo. El carro se volverá a conectar la próxima vez que accione hacia ARRIBA o hacia ABAJO.



POSICIÓN DE CERRADO

Mantenimiento de su abre-puertas de garaje

AJUSTES DE LÍMITE Y FUERZA

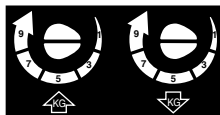
Las condiciones climatológicas pueden ocasionar cambios menores en el funcionamiento de la puerta, que requerirá algunos reajustes, en particular durante el primer año de operación.

En las páginas 29 y 30 se encuentra la información sobre los ajustes de límite y de fuerza. Lo único que necesita es un desarmador. Siga las instrucciones con mucho cuidado.

Repita la prueba de seguridad de reversa (página 31) después de hacer ajustes a los límites o a la fuerza.



CONTROLES DE LIMITE
(Lado izquierdo)



Fuerza de apertura Fuerza de cierre
CONTROLES DE FUERZA
(Lado posterior)

CALENDARIO DE MANTENIMIENTO

Una vez al mes

- Haga funcionar la puerta manualmente. Si está desequilibrada o se atasca, llame a un técnico especializado en sistemas de puertas.
- Verifique que la puerta se abre y se cierra completamente. Si es necesario, ajuste los límites y/o la fuerza (Vea las páginas 29 y 30.).
- Repita la prueba de seguridad de reversa. Haga los ajustes necesarios (Vea la página 31).

Dos veces al año

- Revisar la tensión de la cadena. Desconectar primero el carro. Ajustar si es necesario (vea la página 15).

Una vez al año

- Ponga aceite en los rodillos, los cojinetes y las bisagras de la puerta. El abre-puertas no necesita lubricación adicional. No lubrique los rieles de la puerta.

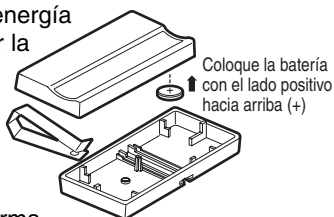
LA BATERÍA DEL CONTROL REMOTO

⚠ ADVERTENCIA

Para evitar la posibilidad de LESIONES GRAVES O INCLUSO LA MUERTE:

- NUNCA permita que los niños pequeños estén cerca de las baterías.
- Si alguien se traga una batería, llame al médico de inmediato.

La batería de litio debe producir energía durante cinco años. Para cambiar la batería, use el clip del visor o un desarmador para abrir la caja, como se indica en la ilustración. Coloque la batería con el lado positivo hacia arriba (+)



Elimine las baterías usadas en forma adecuada.

AVISO: Para cumplir con las reglas de la FCC y/o de Canadá (IC), las reglas, ajustes o modificaciones de este receptor y/o transmisor están prohibidos, excepto por el cambio de la graduación del código o el reemplazo de la pila. NO HAY OTRAS PIEZAS REPARABLES DEL USUARIO.

Se ha probado para cumplir con las normas de la FCC para USO DEL HOGAR O DE LA OFICINA. La operación está sujeta a las dos condiciones siguientes: (1) este dispositivo no puede causar interferencia perjudicial, y (2) este dispositivo debe aceptar cualquier interferencia recibida, incluyendo la interferencia que puede causar una operación no deseable.

¿Si tiene algún problema?

1. El abre-puertas no funciona con la botonera de pared ni con el control remoto:

- ¿Está el abre-puertas conectado a la electricidad? Conecte una lámpara a la toma de corriente. Si no se enciende, revise la caja de fusibles o el interruptor automático. (Algunas tomas de corriente se controlan con un interruptor de pared).
- ¿Ha desactivado todos los seguros de la puerta? Revise las advertencias de las instrucciones de instalación que aparecen en la página 15.
- ¿Hay nieve o hielo acumulado debajo de la puerta? La puerta puede congelarse y quedarse pegada al piso. Elimine esta restricción.
- El resorte de la puerta del garaje puede estar roto. Haga que lo cambien.
- Es posible que las repetidas operaciones hayan disparado el protector de sobrecarga del motor. Espere 15 minutos y vuelva a intentar.

2. El abre-puertas opera con el control remoto, pero no funciona con la botonera de pared:

- ¿Está iluminado el control? Si no lo está, invierta los cables. Si el abridor funciona, revise que los alambres estén bien conectados en el control de la puerta, vea si hay algún corto debajo de las grapas o algún alambre roto.
- ¿Las conexiones del cableado son correctas? Revise el paso 6 de la sección de Instalación.

3. la puerta funciona con el control de la puerta, pero no funciona con el control remoto:

- ¿Está parpadeando el botón de la puerta? Si el modelo de su abridor tiene la función de seguro (Lock), cerciórese de que esté apagada.
- Programe el abridor para que coincida con el código del control remoto (consulte las instrucciones que se encuentran en el panel del motor). Repita esto con todos los controles remotos.

4. El control remoto tiene corto alcance:

- Cambie la ubicación del control remoto en su coche.
- Revise y cerciórese de que la antena que se encuentra a un lado o en el panel posterior de la unidad del motor se extienda hacia abajo completamente.
- Algunas instalaciones pueden tener menor alcance si la puerta es de metal, tiene aislamiento, o si el recubrimiento externo de la puerta es de metal.

5. El ruido que hace el abridor molesta en las habitaciones de la casa:

- Si el ruido de la operación del abridor es un problema porque las habitaciones de la casa están muy cerca, se puede instalar un Aislador de la vibración 89LM. Este accesorio está diseñado para minimizar la vibración en la casa y es fácil de instalar.

Si tiene algún problema (continuación)

6. La puerta del garaje se abre y se cierra por sí misma:

- Asegúrese que todos los botones del control remoto estén apagados.
- Quite el alambre del timbre de las terminales del control de la puerta y haga funcionar la puerta solamente con el control remoto. Si esto resuelve el problema, el control de la puerta tiene alguna falla (cámbielo), o hay algún corto intermitente en el alambre entre el control de la puerta y la unidad del motor.
- Limpie la memoria y vuelva a programar todos los controles remotos.

7. La puerta no abre completamente:

- ¿Hay algo que esté obstruyendo la puerta? ¿Está desequilibrada, o los resortes están rotos? Elimine la obstrucción o repare la puerta.
- Si la puerta está en buenas condiciones pero no abre completamente, aumenta la fuerza hacia arriba. Vea *Ajustes, paso 2*.
- Si la puerta abre por lo menos 1.5 m, es posible que se tengan que aumentar los límites del recorrido. Una vuelta equivale a 5 cm del recorrido. Vea *Ajustes, paso 1*.

Repita la prueba de seguridad de reversa después de terminar el ajuste.

8. La puerta se detiene pero no cierra completamente:

- Revise los procedimientos de ajuste de los límites del recorrido que aparecen en la página 29.

Repita la prueba de seguridad de reversa después de realizar cualquier ajuste al largo del brazo de la puerta, a la fuerza o al límite hacia abajo.

9. La puerta retrocede sin ninguna razón en particular y las luces del abre-puertas no parpadean:

- ¿Hay algo que esté obstruyendo la puerta? Jale la manija del desenganche de emergencia. Opere la puerta manualmente. Si está desequilibrada o se atasca, llame a un profesional que arregle puertas de garaje.
- Limpie el piso del garaje si tiene hielo o nieve en el punto donde la puerta se cierra.
- Revise *Ajustes, Paso 2*.
- Si la puerta retrocede a la posición completamente cerrada, disminuya los límites de recorrido (*Ajustes, paso 1*).

Repita la prueba de seguridad de reversa después de hacer los ajustes a la fuerza o a los límites del recorrido. La necesidad de un ajuste ocasional de la fuerza y del límite es normal. Las condiciones climatológicas en particular pueden afectar el recorrido de la puerta.

10. Las luces del abre-puertas no se encienden:

- Cambie las bombillas (de 100 vatios máximo). Si la bombilla se quema, use una bombilla estándar para puerta de garaje.

11. Las luces del abre-puertas no se apagan:

- ¿Está activada la función de luz? Si es así, apáguela.

12. El abre-puertas necesita la máxima fuerza para operar la puerta:

- La puerta podría estar desequilibrada, o los resortes podrían estar rotos. **Ciérrela** y use la manija del desenganche de emergencia para desconectar el carro. Abra y cierre la puerta manualmente. Si está bien equilibrada se sostendrá en cualquier punto del recorrido con sólo el soporte de sus resortes. Si esto no ocurre, desconecte el abre-puertas y llame a un técnico especializado en sistemas de puertas. **No aumente la fuerza para operar el abre-puertas.**

13. El motor hace un ruido breve pero luego no funciona:

- Los resortes de la puerta del garaje podrían estar rotos. Vea los párrafos anteriores.
- Si el problema se presenta la primera vez que acciona el abre-puertas, puede ser que la puerta esté con seguro. Quítele el seguro.

Repita la prueba de seguridad de reversa después de terminar el ajuste

14. El abre-puertas no funciona debido a una falla en el suministro de energía:

- Use la manija de desenganche de emergencia para desconectar el carro. La puerta se puede abrir y cerrar manualmente. Cuando se restaure el suministro de energía, oprima la barra pulsadora del control de la puerta y el carro se vuelve a conectar automáticamente (a menos que esté con seguro). Vea la página 33.
- El desenganche exterior rápido (que se usa solamente en los garajes que tienen una puerta de de servicio) desconecta el carro desde afuera del garaje en caso de una falla en el suministro de energía.

15. La cadena se comba o afloja:

- Es normal que la cadena cuelgue ligeramente cuando la puerta está cerrada. Utilice la cuerda y la manija de emergencia para desconectar el carro. Si la cadena regresa a la altura normal cuando se libera el carro, y la puerta vuelve al contacto con una pieza plana de madera de 38 mm, no hay necesidad de ajustes. (Ver la página 15.)

PROGRAMACIÓN

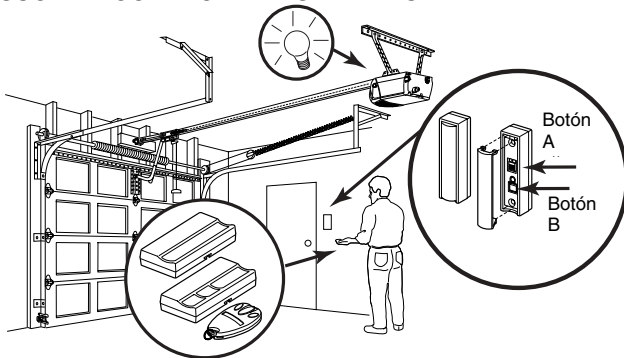
AVISO: Si el abre-puertas de garaje Security+® se usa con un transmisor de código no cambiante, se omitirá la intervención del sistema de seguridad que tiene el abre-puertas contra dispositivos electrónicos usados para apropiarse fraudulentamente del código. El titular del derecho de propiedad de este abre-puertas de garaje no autoriza al comprador y/o vendedor del transmisor de código no cambiante a omitir la intervención del sistema de seguridad.

Su abre-puertas de garaje ya viene programado de fábrica para operar con su control remoto. La puerta se abrirá y se cerrará cuando oprima el botón grande.

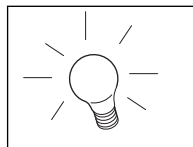
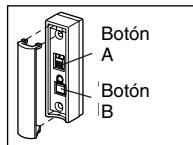
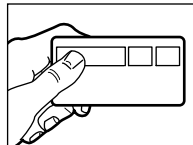
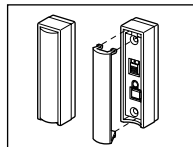
A continuación se dan las instrucciones de programación del abre-puertas para que funcione con otros controles remotos Security+®.

Cómo Agregar o Reprogramar un Control Remoto

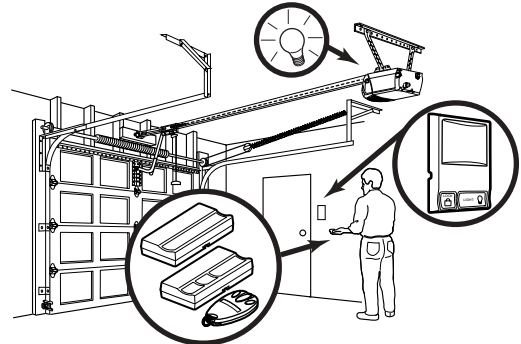
USO DEL CONTROL DE PUERTA ILUMINADA



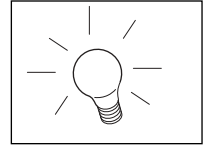
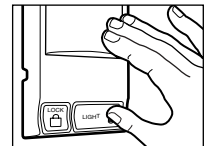
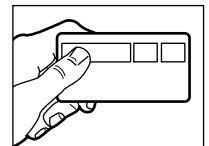
1. Extraiga la cubierta del Control de Puerta Iluminada.
2. Oprima y mantenga oprimido el botón del control remoto* que desee usar para la puerta de su garaje.
3. Mientras mantiene oprimido el botón del control remoto, oprima y mantenga oprimido el botón "A" en el Control de Puerta Iluminada.
4. Continúe oprimiendo los dos botones mientras oprime también el botón "B" en el Control de Puerta Iluminada. (con los tres botones oprimidos).
5. Suelte el botón del control remoto. Las luces de la unidad del motor empezarán a parpadear. Ya aprendió el código. Si no se han puesto bombillas, se escucharán dos chasquidos.



CÓMO USAR EL CONTROL DE FUNCIONES MÚLTIPLES DE LA PUERTA



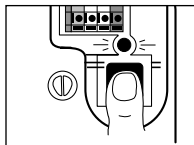
1. Oprima y mantenga oprimido el botón del control remoto* que desee usar para la puerta de su garaje.
2. Mientras mantiene oprimido el botón del control remoto, oprima y mantenga oprimido el botón LUZ (LIGHT) del control de funciones múltiples de la puerta.
3. Continúe oprimiendo los dos botones mientras oprime también la barra del control de funciones múltiples de la puerta (con los tres botones oprimidos).
4. Suelte los botones cuando las luces de la unidad del motor empiecen a parpadear. Ya aprendió el código. Si no se han puesto bombillas, se escucharán dos chasquidos.



Para borrar todos los códigos de la memoria de la unidad del motor

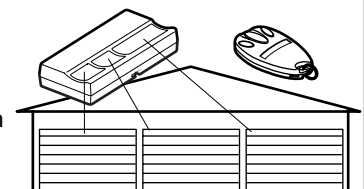
Para desactivar cualquier control remoto que no desee usar, antes que nada borre todos los códigos:

Oprima y mantenga oprimido el botón "aprendizaje" (learn) de la unidad del motor, hasta que la luz del indicador de "aprendizaje" (learn) se apague (aproximadamente 6 segundos). Ya estarán borrados todos los códigos anteriores. Vuelva a programar cada uno de los controles remotos o la llave digital que desee usar.



*Controles remotos 3 botones

Si es proporcionado con su abre-puertas de garaje, el botón grande ha sido programado en la fábrica para operación de su abre-puertas. Los botones adicionales de cualquier control remoto de 3 botones Security+®, o de un mini control remoto pueden programarse para operar otros abre-puertas de garaje Security+®.



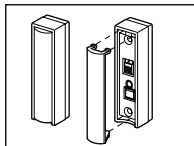
Agregar, Reprogramar o Cambiar un Código de la Llave Digital

NOTA: Su nueva llave digital debe programarse para que accione el abre-puertas de garaje.

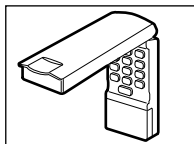
USO DEL CONTROL DE PUERTA ILUMINADA

NOTA: Estos métodos requiere dos personas si la Llave Digital ya está montada afuera del garaje.

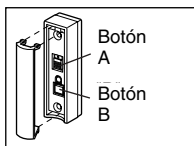
1. Extraiga la cubierta del Control de Puerta Iluminada.



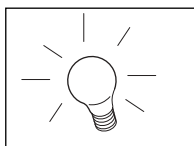
2. Ingrese un número de identificación personal (PIN) que haya elegido, usando el teclado. Luego oprima y mantenga oprimido el botón ENTER.



3. Mientras mantiene oprimido el botón ENTER, oprima y mantenga oprimido el botón "A" de Control de Puerta Iluminada.



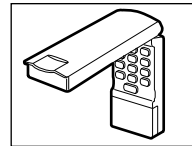
4. Continúe oprimiendo los dos botones, ENTER y botón "A", mientras oprime también el botón "B" de Control de Puerta Iluminada (con los tres botones oprimidos).



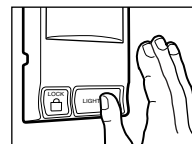
5. Suelte los botones cuando las luces de la unidad del motor empiecen a parpadear. Ya aprendió el código. Si no se han puesto bombillas, se escucharán dos chasquidos.

CÓMO USAR EL CONTROL DE FUNCIONES MÚLTIPLES DE LA PUERTA

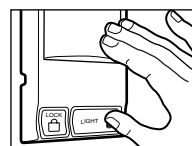
1. Ingrese un número de identificación personal (PIN) que haya elegido, usando el teclado. Luego oprima y mantenga oprimido el botón ENTER.



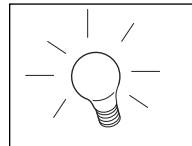
2. Mientras mantiene oprimido el botón ENTER, oprima y mantenga oprimido el botón de la luz (LIGHT) del control de funciones múltiples de la puerta.



3. Continúe oprimiendo los dos botones, ENTER y LIGHT, mientras oprime también la barra del control de funciones múltiples de la puerta (con los tres botones oprimidos).



4. Suelte los botones cuando las luces de la unidad del motor empiecen a parpadear. Ya aprendió el código. Si no se han puesto bombillas, se escucharán dos chasquidos.



Para cambiar un PIN existente

Si el PIN existente ya es conocido, una persona lo puede cambiar sin usar una escalera.

1. Oprima los cuatro botones que correspondan al PIN actual, luego oprima y mantenga oprimido el botón #. La luz del abre-puertas parpadeará dos veces. Suelte el botón #.

2. Oprima el nuevo PIN de cuatro dígitos y luego oprima ENTER.

Las luces de la unidad del motor van a parpadear una vez cuando el PIN se haya aprendido.

Pruebe oprimiendo el nuevo PIN, luego oprima ENTER. La puerta debe moverse.

Para poner un PIN temporal

Usted puede autorizar el acceso a sus visitas o a personal de servicio con un PIN temporal de cuatro dígitos. Después de un determinado número de horas programadas, o número de accesos, este PIN temporal expira y no vuelve a abrir la puerta. Se puede usar para cerrar la puerta aún después de que haya expirado. Haga lo siguiente para poner un PIN temporal:

1. Oprima los cuatro botones correspondientes a su PIN de entrada personal (no el último PIN temporal); luego oprima y mantenga oprimido el botón *.

La luz del abre-puertas va a parpadear tres veces. Suelte el botón.

2. Oprima los cuatro dígitos del PIN temporal que haya elegido, luego oprima ENTER.

La luz del abre-puertas va a parpadear cuatro veces.

3. Para fijar el número de horas que el PIN temporal debe funcionar, oprima el número de **horas** (hasta 255), luego oprima *.

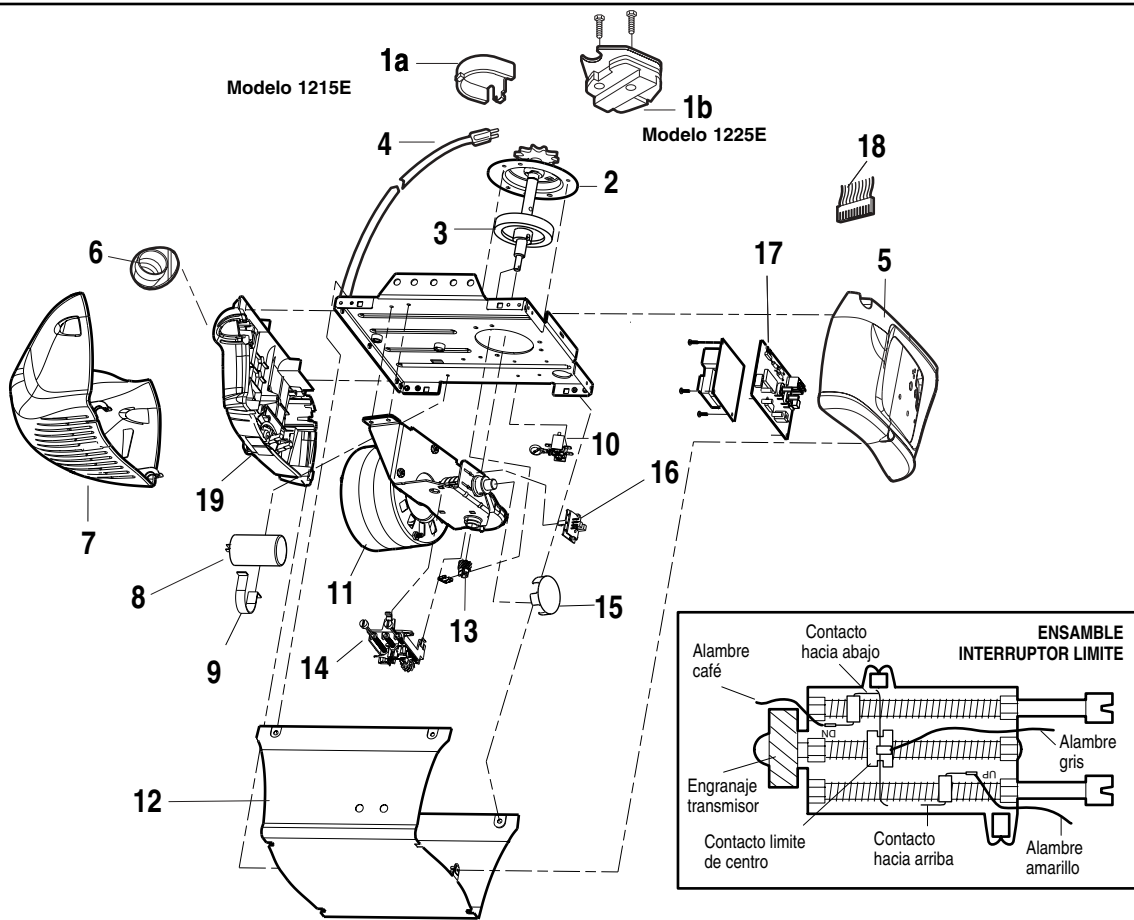
0

3. Para fijar el número de veces que el PIN temporal debe funcionar, oprima el número de **veces** (hasta 255), luego oprima #.

La luz del abre-puertas va a parpadear una vez cuando se haya aprendido el PIN temporal.

Pruebe oprimiendo los cuatro botones correspondientes al PIN temporal, luego oprima ENTER. La puerta debe moverse. Si el PIN temporal se ha fijado para abrir la puerta un determinado número de veces, recuerde que la prueba constituye una vez. Para borrar la contraseña temporal, repita los pasos 1 al 3; fijando el número de horas o de veces en 0, en el paso 3.

Piezas de la unidad del motor



CLAVE NO.	PARTE NO.	DESCRIPCIÓN	CLAVE NO.	PARTE NO.	DESCRIPCIÓN
1a	31D380	Cubierta del portacadena (Modelo 1215E)	14	41A5640	Conjunto de interruptor de límite
1b	41A4208-2	Extendedor de la cadena (Modelo 1225E)	15	41A2822-1	Anillo exterior del interruptor
2	41C4206-2	Conjunto de engranaje y portacadena (Modelo 1225E)	16	41C4398A	Sensor RPM con soporte
	41C4798-2	Conjunto de engranaje y portacadena (Modelo 1215E) Incluye: Arandela de expansión, arandela de empuje, anillo de retén, placa y chumacera, pernos de expansión (2), engranaje transmisor, engranaje sin-fin, engranaje helicoidal con retén, grasa	17	41A5629-1A	Ensamble del panel lógico del receptor (Modelo 1225E)
3	41A2817	Conjunto de engranaje sin-fin y transmisor con grasa y pernos de expansión (2)		41A5629-2A	Ensamble del panel lógico del receptor (Modelo 1215E)
4	41B4245	Cordón eléctrico	18	41C5497	Arnés de cables de alto voltaje
5	41A5484-7	Panel con etiquetas		41C5498	Arnés de cables de bajo voltaje
6	4A1344	Receptáculo de foco	19a	41D180-1	Panel trasero con etiquetas (1225E)
7	108D68	Mica	19b	41D181	Panel trasero con etiquetas (1215E)
8	30B532	Capacitor - 1/2 HP			NO MOSTRADO
9	12A373	Retén del capacitor		41A2826	Juego del soporte de motor
10	41A3150	Bloque terminal con tornillos		41A2825	Juego de pernería para el ensamble del chasis (incluye tornillos, no indicados con número en la ilustración)
11	41D3058	Motor de repuesto y conjunto de soporte universal.		971-315LM	Control remote de un botón
12	41A5525-1	Cubierta		12A20	Batería de litio de 3V2032
13	81C253	Retén e impulsor del interruptor de límite		29B137	Broche de la visera
				41A2828	Manija y la cuerda de emergencia
				114A2739	Manual del propietario

ACCESORIOS

970LM



Minicontrol remote de 3 botones con Security+®:

Con anillo llavero y tira sujetadora.

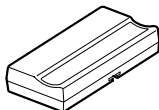
1702E



Desenganchador exterior rápido:

Se necesita en un garaje SIN puerta peatonal. Permite al due o de la casa abrir la puerta de la cochera manualmente desde el exterior, desconectando el trole.

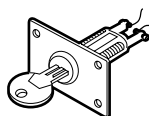
971LM



Control remoto de un botón Security+®:

Incluye broche del visor.

760E



Interruptor de la llave externa:

Opera la puerta de la cochera automáticamente desde el exterior cuando el control remoto no está a la mano.

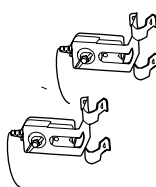
973LM



Control remoto de 3 botones Security+®:

Incluye broche del visor.

99E



Protector System®:

Un sistema opcional para aumentar la seguridad de su abre-puertas de garaje. Si el rayo invisible del sensor se interrumpe, la puerta dará reversa en bajada y no cerrará si está abierta.

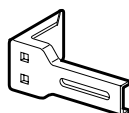
98LM



Panel de control con la capacidad de detectar movimiento:

La unidad de control de funciones múltiples de la puerta está equipada con sensores de movimiento que mantendrán la luz encendida durante cinco minutos cada vez que alguien entre al garaje. Es posible desactivar el sensor se así lo desea.

41A5281

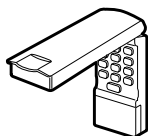


Extensiones de ménsula:

(Opcionales). Para la instalación del sensor de seguridad en la pared o en el piso.

Para hacer un pedido, llamar al:
630-516-8423 (USA)
5333-9974 (México D F)
01-800-500-9300 (México General)

976LM



Entrada sin llave con Security+®:

Permite al usuario abrir la puerta del garaje desde afuera al ingresar una contraseña en un teclado diseñado especialmente. También se puede agregar una contraseña temporal para visitantes o proveedores de servicios. Esta contraseña temporal se puede limitar a un número programable de horas o entradas.

LOS SERVICIOS DE LIFTMASTER ESTÁN A SU DISPOSICIÓN

PARA INFORMACIÓN SOBRE INSTALACIÓN Y SERVICIO COMUNÍQUESE CON LOS SIGUIENTES TELÉFONOS:

630-516-8423 En U.S.A. desde Latinoamérica

01-800-500-9300 Sin costo desde México

5333-9974 En México D.F.

Póngase en contacto con su distribuidor local de LIFTMASTER si necesita instalación, piezas de repuesto y servicio profesional. Busque el distribuidor en las Páginas Amarillas de su Guía de Telefónica o llame a nuestro Departamento latinoamericano para obtener más información sobre su distribuidor local.

COMO ORDENAR PIEZAS DE REPUESTO

Comuníquese con nuestro Departamento Internacional para obtener información sobre precios de repuestos.

CUANDO ORDENE PIEZAS DE REPUESTO, ENTREGUE LOS SIGUIENTES DATOS:

- **NÚMERO DE PIEZA**
- **DESCRIPCIÓN**
- **NÚMERO DE MODELO DE ABRE-PUERTAS DE GARAJE**

ENVIE SU ORDEN A:
THE CHAMBERLAIN GROUP, INC.
Latin America Department
845 Larch Avenue
Elmhurst, IL 60126, USA

TEL: 630-516-8423 En U.S.A. desde Latinoamérica

FAX: 630-993-6916 En U.S.A. desde Latinoamérica

TEL: 5333-9974 En México D.F.

TEL: 01-800-500-9300 Sin costo dentro de México

GARANTIA LIMITADA DE UN AÑO DEL ABRIDOR LIFTMASTER DE PUERTA DE GARAJE

Chamberlain/LiftMaster ("Vendedor"), garantiza al primer comprador minorista de éste producto, que éste mismo está libre de defectos de materiales y de mano de obra por un período de un año a partir de la fecha de compra. **La operación correcta de éste producto depende del cumplimiento de las Instrucciones del Manual del Propietario, referentes a la instalación, operación, mantenimiento y prueba. No obedecer estrictamente a estas restricciones, anulará por completo esta garantía. Por favor considere que el sistema de reversa de seguridad, para que opere correctamente con su puerta de garaje, debe ajustarse y probarse periódicamente de acuerdo con lo establecido en el Manual del Propietario.**

Si durante el período de garantía limitada, este producto presenta algún defecto cubierto por esta garantía limitada, antes de desarmarlo, **llame a uno de los números telefónicos de servicio arriba indicados.** A continuación, envíe este producto, pagando el flete y seguro al centro de servicio designado con el fin de realizar la reparación cubierta por la garantía. Al llamar al número de teléfono de servicio, se le darán las instrucciones de envío apropiadas. Por favor, incluya una descripción breve del problema y un recibo con fecha como prueba de compra, con cualquier producto que sea devuelto por concepto de reparación cubierta por la garantía.

Los productos devueltos al Vendedor para la reparación cubierta por la garantía, que una vez recibidos por el Vendedor, se confirme que presentan defectos y que estén cubiertos por esta garantía limitada, serán reparados o reemplazados (a opción única del Vendedor) sin costo para usted y serán devueltos con el porte pagado. Los componentes defectuosos serán reparados o reemplazados a opción única del Vendedor con componentes nuevos o reconstruidos de fábrica.

ESTA GARANTÍA LIMITADA SUSTITUYE A OTRAS GARANTÍAS EXPRESAS O IMPLÍCITAS, INCLUIDA CUALQUIER GARANTÍA IMPLÍCITA DE COMERCIABILIDAD O DE ADECUACIÓN PARA UN PROPÓSITO PARTICULAR, O DE CUALQUIER OTRA ÍNDOLE, ADEMÁS DE CUALQUIER OTRA OBLIGACIÓN O RESPONSABILIDAD DE PARTE DEL VENDEDOR. ESTA GARANTÍA LIMITADA NO CUBRE DAÑOS POR CAUSAS NO ORIGINADAS EN DEFECTOS, DAÑOS CAUSADOS POR UNA INSTALACION, OPERACION O CUIDADO, INCORRECTO (INCLUYENDO, PERO SIN ESTAR LIMITADO A ABUSO, MAL USO, FALLA EN PROVEER MANTENIMIENTO RAZONABLE Y NECESARIO, USO DE PIEZAS O ACCESORIOS NO AUTORIZADOS, O CUALQUIER MODIFICACION A ESTE PRODUCTO), COSTO DE MANO DE OBRA PARA DESMANTELAR O REINSTALAR UNA UNIDAD REPARADA O REEMPLAZADA, REEMPLAZO DE PILAS Y LÁMPARAS, O UNIDADES INSTALADAS PARA USO NO RESIDENCIAL. EL USO DE PIEZAS O ACCESORIOS NO AUTORIZADOS CANCELA ESTA GARANTIA LIMITADA. Por favor consulte con Chamberlain, si tiene preguntas acerca de si los accesorios o piezas de repuesto están autorizados.

BAJO NINGUNA CIRCUNSTANCIA EL VENDEDOR SERA RESPONSABLE DE DAÑOS CONTINGENTES O EMERGENTES O ESPECIALES QUE SURJAN EN RELACIÓN CON EL USO O INCAPACIDAD DE USO DE ESTE PRODUCTO. LA RESPONSABILIDAD DEL VENDEDOR POR VIOLACIÓN DE LA GARANTÍA, POR VIOLACIÓN DEL CONTRATO, NEGLIGENCIA O RESPONSABILIDAD ESTRUCTA, EN NINGUN CASO DEBERÁ EXCEDER AL COSTO DEL PRODUCTO CUBIERTO POR LA PRESENTE. NINGUNA PERSONA ESTÁ AUTORIZADA A ASUMIR POR NOSOTROS NINGUNA RESPONSABILIDAD POR LA VENTA DE ESTE PRODUCTO.

Algunos estados no permiten la exclusión o limitación de daños contingentes, emergentes o especiales, de manera que posible que la limitación o exclusión anterior no se aplique a usted. Esta garantía limitada le proporciona derechos legales específicos y usted puede también Puede tener otros derechos que varían de un estado a otro.

GARANTÍA LIMITADA DEL MOTOR

Serie modelo 1225E FS2: se garantiza que el motor está libre de cualquier defecto de mantenimiento y mano de obra por un período de 60 meses completos (5 años) a partir de la fecha de compra.

Serie modelo 1215E FS2: se garantiza que el motor está libre de cualquier defecto de mantenimiento y mano de obra por un período de 48 meses completos (4 años) a partir de la fecha de compra.