

Garage Doors - Roller Door

ETDOOR ET-30



Main features

The ET-30 one piece roller door opener was designed with ease of use and reliability in mind. Security is ensured with a rolling code technology remote handset that changes with every press of the button. This makes the ET-30 roller door opener the right choice when choosing your new roller door opener.

5 Year Motor Warranty
2 Year General Warranty

Roller Door Motor

| Article Code | Description of Article |
|--------------|--|
| ET30 | 24 V DC operator, one piece, with built in control board, 2 x remotes and 1 wireless wall switch |

Accessories

| Article Code | Description of Article |
|--------------|--|
| ETRR | Stand alone receiver for ET model garage openers |
| ETR4 | Miniature transmitters for ET Door range |
| ETWK | Wireless keypad |

Key features

| | | |
|---|--------------------------|-------------------------------|
| Powerful and quiet DC motor, quick installation | Input voltage | 200-240V AC 50Hz |
| Push button internal operation | Motor type | 24 V DC Permanent Magnet |
| When closed the motor automatically locks | Motor power | 100 Watts |
| Automatic reversing system | Maximum door opening | 18 square meters |
| Auto close option can be enabled | Reel diameter | 270 mm |
| Electronic limit switch | Operating speed | 8m/min |
| Manual release in case of power failure | Power for Fuse | 1 A 240 V |
| Courtesy LED light automatically lights on | Courtesy Light | L.E.D |
| Soft start, soft stop | Receiver type | UHF 433.92 MHz AM Receiver |
| Photocell is available | Transmitter frequency | 433.92 MHz |
| Accepts any stand alone receiver | Coding type | Coding Hopping |
| Metal structure | No. of code combinations | Over 4.29 Billion Random Code |

Technical details

Advanced Technology

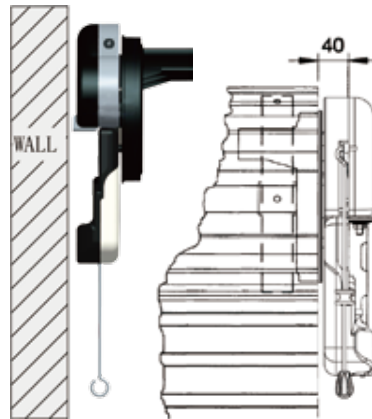


Access for socket set to tighten "U" clamp

Its not a worry to tighten the clamp nuts after the motor has been fixed. This smart bottom design is a better choice for any installer.

Back cover design to fix battery backup.

Put our battery back of the cover, make your motor to be a real one piece design

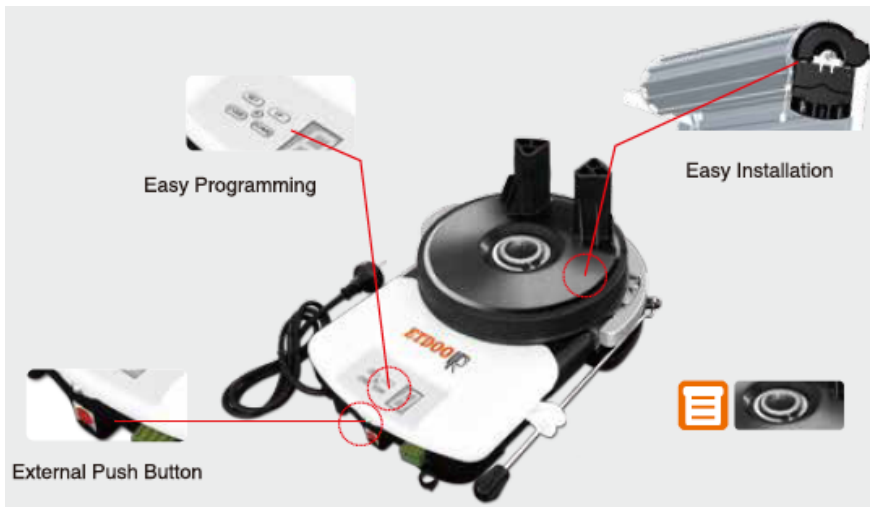


Minimum side room required: **40 mm**

An effective solution for any low side room, it only needs 40 mm from the edge of the curtain to the wall.

**MINIMUM
SIDE ROOM**

Practical



Standard Kit Including:

Motor x 1 pc

Transmitter x 2 pcs

Wireless wall switch

U-clamp and cast iron x 1 kit

Extended fork x 2 pcs

Extended release arm x 1 pc

Certification card x 1 pc

Manual x 1 pc

Weight bars x 2 pcs



- Wireless Wall Switch



- Door Remote