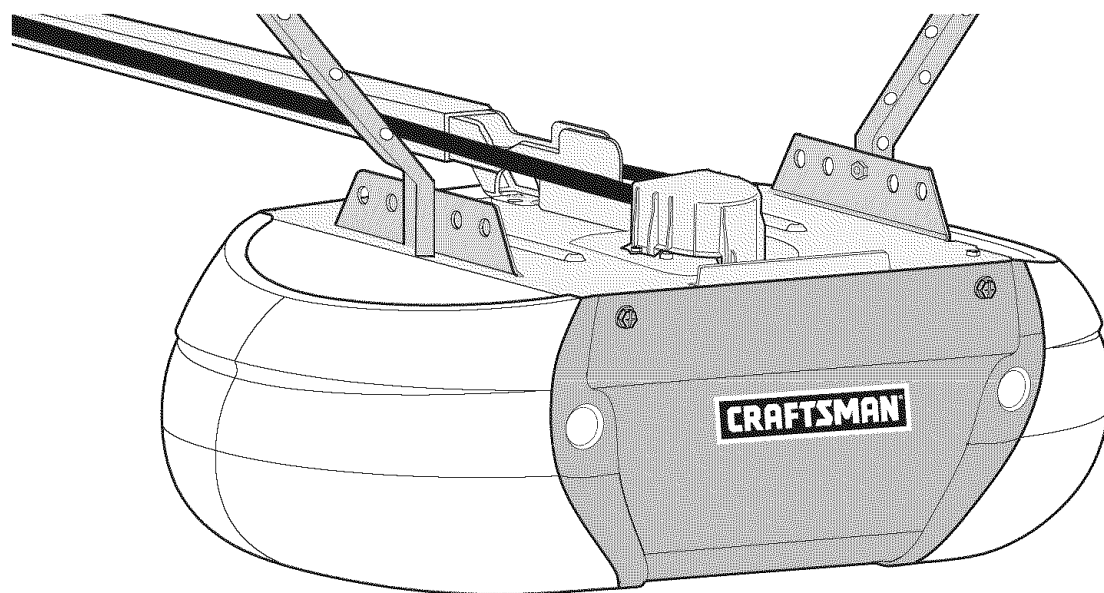


# Owner's Manual/Manual Del Propietario



## **315**<sub>MHz</sub> GARAGE DOOR OPENER ABRIDOR DE PUERTA DE COCHERA **315**<sub>MHz</sub>

For Residential Use Only/Sólo para uso residencial  
Model/Modelo 139.53918D



ENGLISH  
ESPAÑOL

Read and follow all safety rules and operating instructions before first use of this product.

Fasten the manual near the garage door after installation.

Periodic checks of the opener are required to ensure safe operation.

Leer y seguir todas las reglas de seguridad y las instrucciones de operación antes de usar este producto por primera vez.

Guardar este manual cerca de la puerta de la cochera.

Se deben realizar revisiones periódicas del abridor de puertas para asegurar su operación segura.



Sears, Roebuck and Co., Hoffman Estates, IL 60179 U.S.A  
[www.sears.com/craftsman](http://www.sears.com/craftsman)

# TABLE OF CONTENTS

<b>Introduction</b>	<b>2-7</b>	<b>Adjustment</b>	<b>27-29</b>
Safety symbol review and signal word review . . . . .	.2	Program the travel limits . . . . .	.27
Preparing your garage door . . . . .	.3	Setting the force . . . . .	.28
Tools needed . . . . .	.3	Test the safety reversal system . . . . .	.29
Planning . . . . .	4-5	Test The Protector System® (safety sensors) . . . . .	.29
Carton inventory . . . . .	.6	<b>Operation</b>	<b>30-36</b>
Hardware inventory . . . . .	.7	Operation safety instructions . . . . .	.30
<b>Assembly</b>	<b>8-11</b>	Using your garage door opener . . . . .	.30
Assemble the rail and install the trolley . . . . .	.8	Using the wall-mounted control console . . . . .	.31
Fasten the rail to the motor unit . . . . .	.9	Care of your opener . . . . .	.32
Install the idler pulley . . . . .	.9	To open the door manually . . . . .	.32
Install the belt and attach the belt cap retainer . . . . .	.10	Battery backup . . . . .	.33
Set the tension . . . . .	.11	Having a problem (Troubleshooting) . . . . .	.34
<b>Installation</b>	<b>11-26</b>	Diagnostic chart . . . . .	.35
Installation safety instructions . . . . .	.11	LCD motion detecting control console messages . . . . .	.36
Determine the header bracket location . . . . .	.12	<b>Programming</b>	<b>37-38</b>
Install the header bracket . . . . .	.13	To add or reprogram a hand-held remote control . . . . .	.37
Attach the rail to the header bracket . . . . .	.14	To erase all codes from motor unit memory . . . . .	.37
Position the opener . . . . .	.15	3-Function remotes . . . . .	.37
Hang the opener . . . . .	.16	To add, reprogram or change a Keyless Entry PIN . . . . .	.38
Install the control console . . . . .	.17	<b>Repair Parts</b>	<b>39-40</b>
Install the battery . . . . .	.18	Rail assembly parts . . . . .	.39
Install the lights . . . . .	.18	Installation parts . . . . .	.39
Attach the emergency release rope and handle . . . . .	.18	Motor unit assembly parts . . . . .	.40
Electrical requirements . . . . .	.19	<b>Accessories</b>	<b>41</b>
Install The Protector System® (safety sensors) . . . . .	.20-22	<b>Warranty</b>	<b>41</b>
Fasten the door bracket . . . . .	.23-24	<b>Repair Parts &amp; Service</b>	<b>Back Cover</b>
Connect the door arm to the trolley . . . . .	.25-26		

## INTRODUCTION

### Safety Symbol Review and Signal Word Review

This garage door opener has been designed and tested to offer safe service provided it is installed, operated, maintained and tested in strict accordance with the instructions and warnings contained in this manual.

 **WARNING**

Mechanical

 **WARNING**

Electrical

**CAUTION**

When you see these Safety Symbols and Signal Words on the following pages, they will alert you to the possibility of **serious injury or death** if you do not comply with the warnings that accompany them. The hazard may come from something mechanical or from electric shock. Read the warnings carefully.

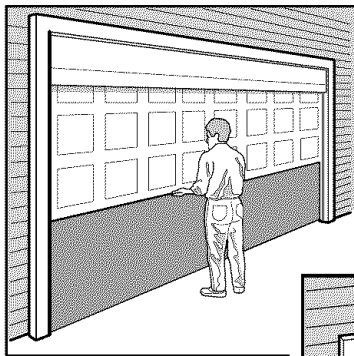
When you see this Signal Word on the following pages, it will alert you to the possibility of damage to your garage door and/or the garage door opener if you do not comply with the cautionary statements that accompany it. Read them carefully.

## Preparing your garage door

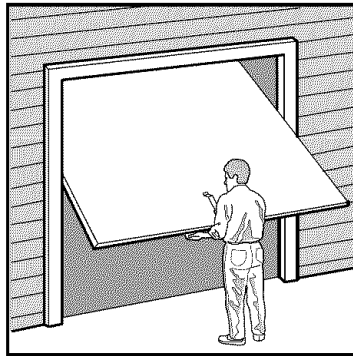
Before you begin:

- Disable locks.
- Remove any ropes connected to garage door.
- **Complete the following test** to make sure your garage door is balanced and is not sticking or binding:
  1. Lift the door about halfway as shown. Release the door. If balanced, it should stay in place, supported entirely by its springs.
  2. Raise and lower the door to see if there is any binding or sticking.

If your door binds, sticks, or is out of balance, call a trained door systems technician.



Sectional Door



One-Piece Door

## WARNING

To prevent possible **SERIOUS INJURY OR DEATH**:

- **ALWAYS** call a trained door systems technician if garage door binds, sticks, or is out of balance. An unbalanced garage door may not reverse when required.
- **NEVER** try to loosen, move or adjust garage door, door springs, cables, pulleys, brackets or their hardware, all of which are under **EXTREME** tension.
- Disable **ALL** locks and remove **ALL** ropes connected to garage door **BEFORE** installing and operating garage door opener to avoid entanglement.

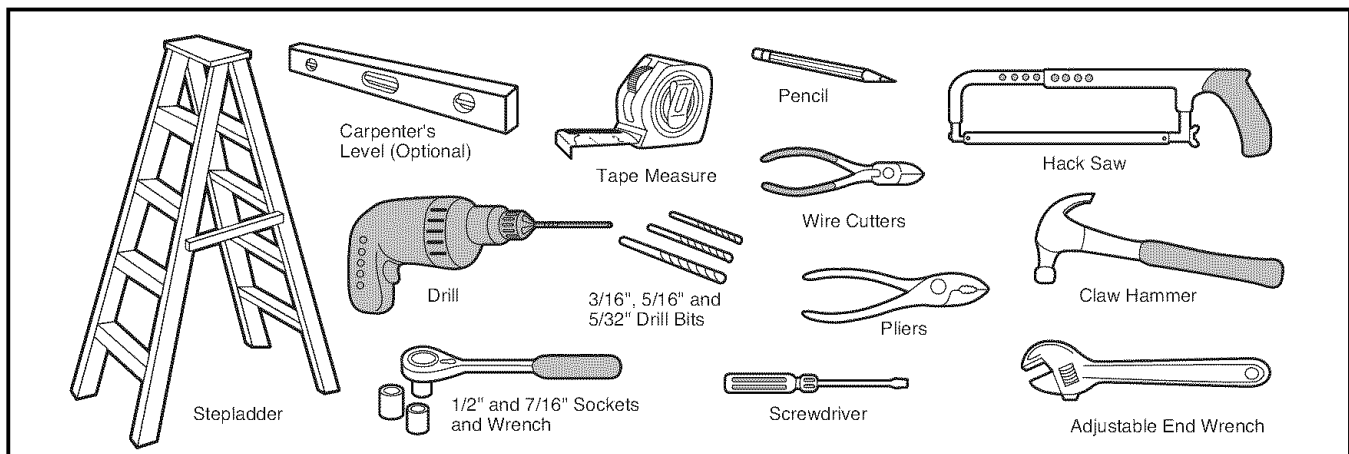
## CAUTION

To prevent damage to garage door and opener:

- **ALWAYS** disable locks **BEFORE** installing and operating the opener.
- **ONLY** operate garage door opener at 120V, 60 Hz to avoid malfunction and damage.

## Tools needed

During assembly, installation and adjustment of the opener, instructions will call for hand tools as illustrated below.



## Planning

Identify the type and height of your garage door. Survey your garage area to see if any of the conditions below apply to your installation. Additional materials may be required. You may find it helpful to refer back to this page and the accompanying illustrations as you proceed with the installation of your opener.

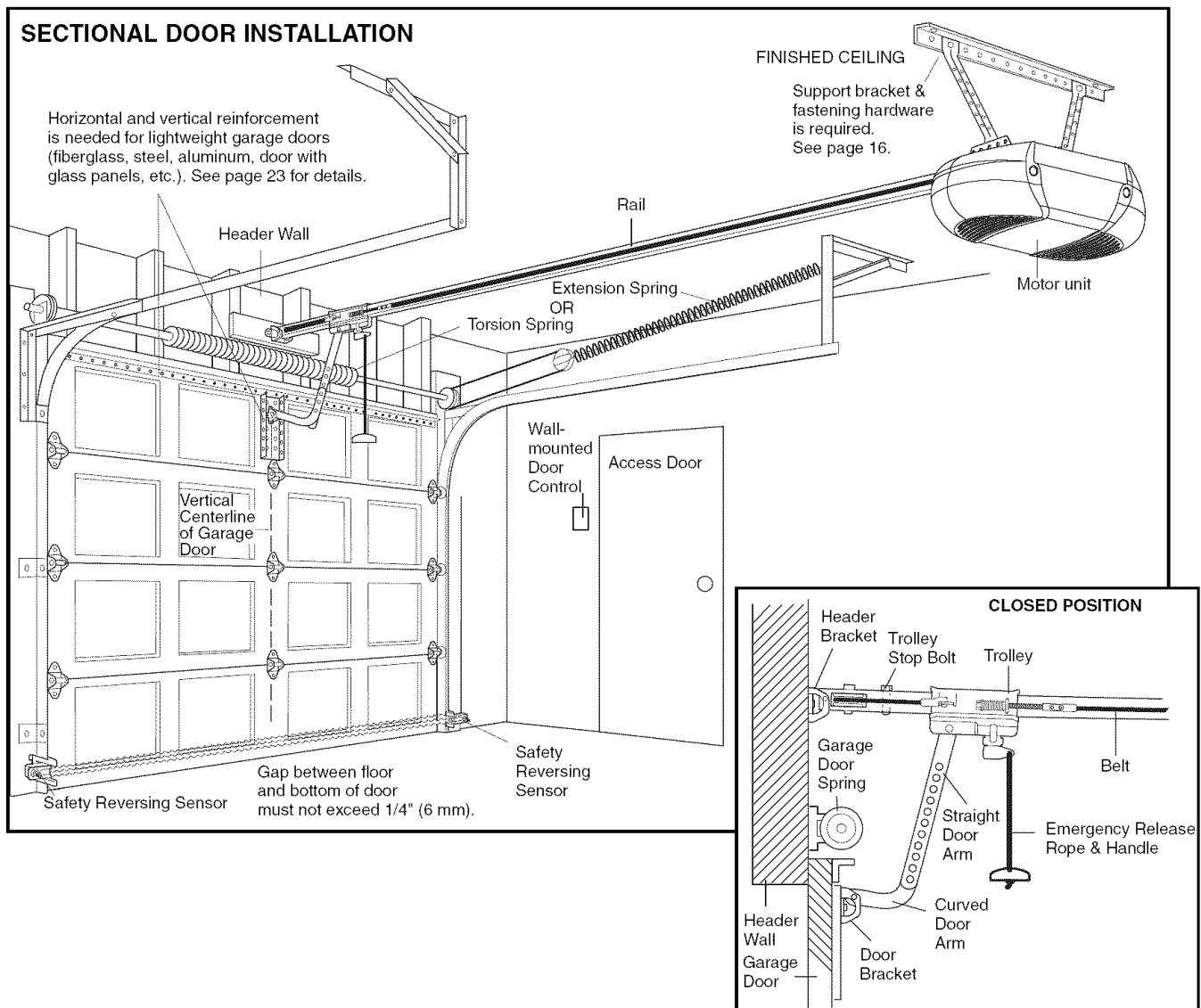
Depending on your requirements, there are several installation steps which may call for materials or hardware not included in the carton.

- Installation Step 1 – Look at the wall or ceiling above the garage door. The header bracket must be securely fastened to structural supports.
- Installation Step 5 – Do you have a finished ceiling in your garage? If so, a support bracket and additional fastening hardware may be required.
- Installation Step 11 – Depending upon garage construction, extension brackets or wood blocks may be needed to install sensors.
- Installation Step 11 – Alternate floor mounting of the safety reversing sensor will require hardware not provided.

- Do you have an access door in addition to the garage door? If not, Model 139.53702 Emergency Key Release is required. See Accessories page.
- Look at the garage door where it meets the floor. Any gap between the floor and the bottom of the door must not exceed 1/4" (6 mm). Otherwise, the safety reversal system may not work properly. See Adjustment Step 3. Floor or door should be repaired.

## SECTIONAL DOOR INSTALLATIONS

- Do you have a steel, aluminum, fiberglass or glass panel door? If so, horizontal and vertical reinforcement is required (Installation Step 12).
- The opener should be installed above the center of the door. If there is a torsion spring or center bearing plate in the way of the header bracket, it may be installed within 4 feet (1.22 m) to the left or right of the door center. See Installation Steps 1 and 12.
- If your door is more than 7 feet (2.13 m) high, see rail extension kits listed on Accessories page.



## Planning (Continued)

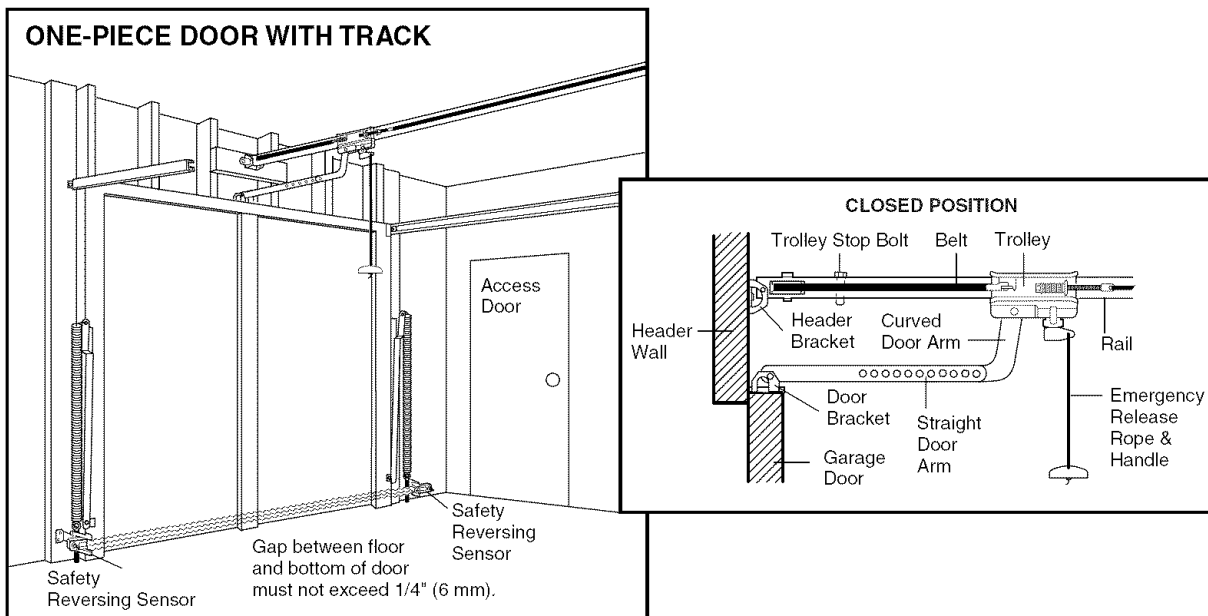
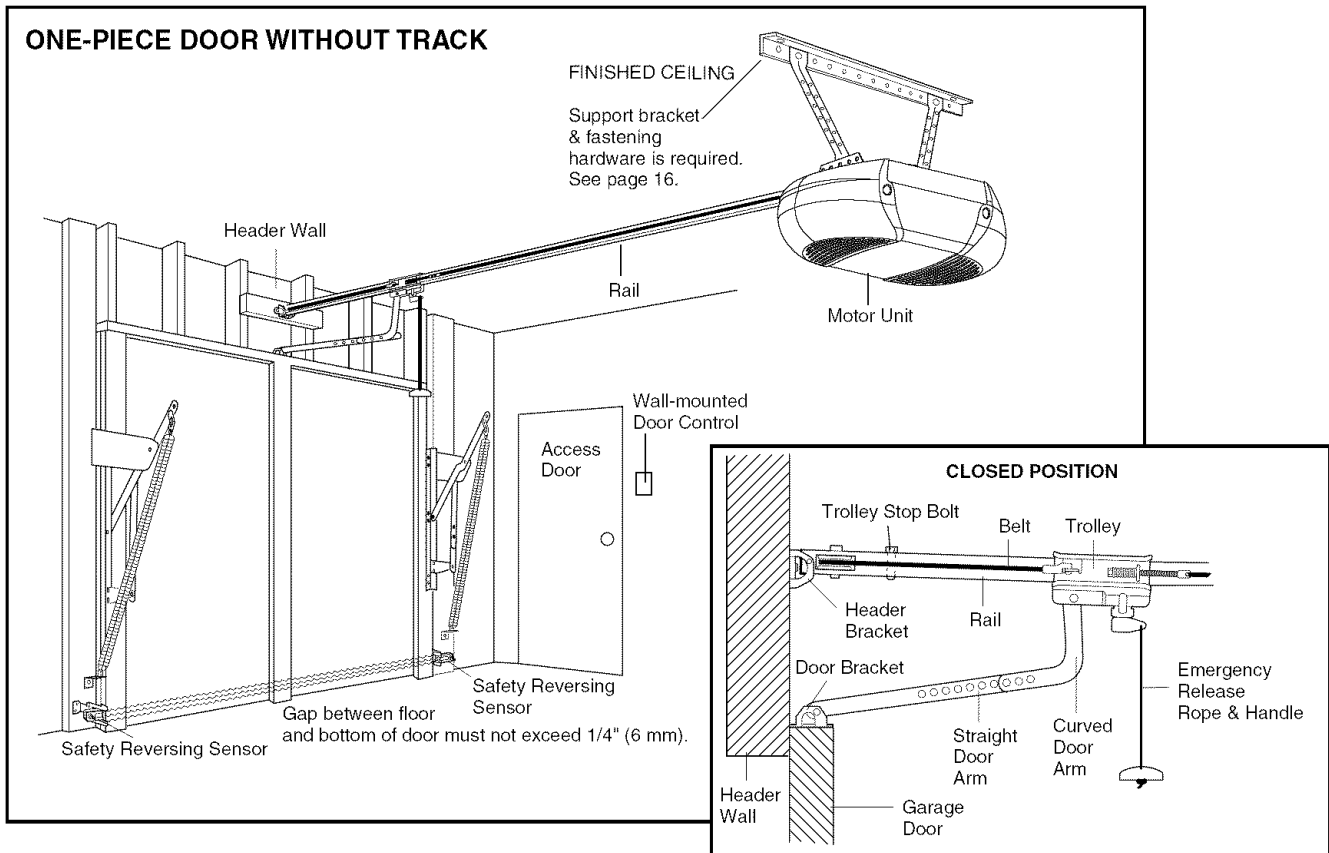
### ONE-PIECE DOOR INSTALLATIONS

- Generally, a one-piece door does not require reinforcement. If your door is lightweight, refer to the information relating to sectional doors in Installation Step 12.
- Depending on your door's construction, you may need additional mounting hardware for the door bracket (Step 12).

## ⚠ WARNING

Without a properly working safety reversal system, persons (particularly small children) could be **SERIOUSLY INJURED** or **KILLED** by a closing garage door.

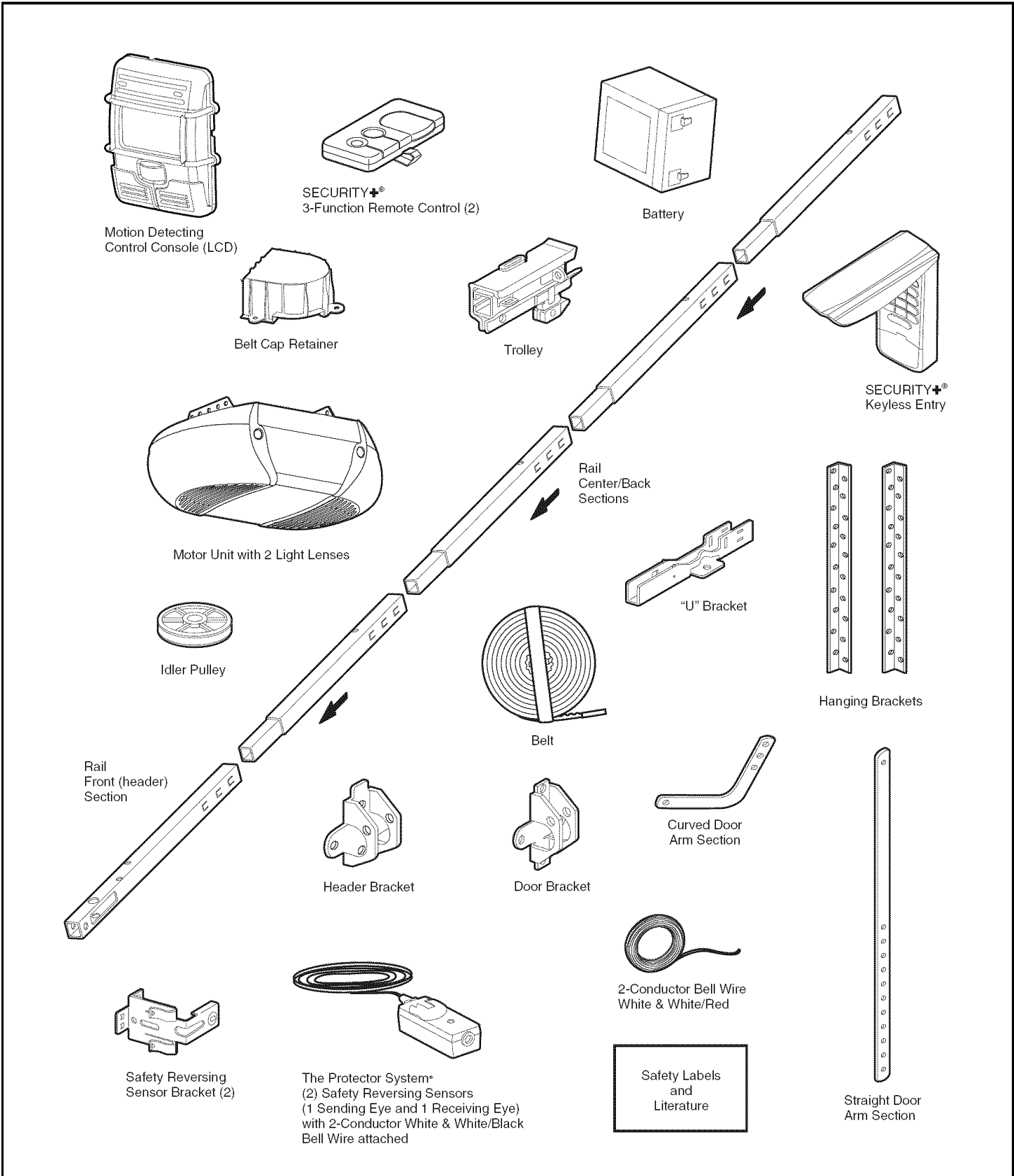
- The gap between the bottom of the garage door and the floor **MUST NOT** exceed 1/4" (6 mm). Otherwise, the safety reversal system may not work properly.
- The floor or the garage door **MUST** be repaired to eliminate the gap.



# Carton Inventory

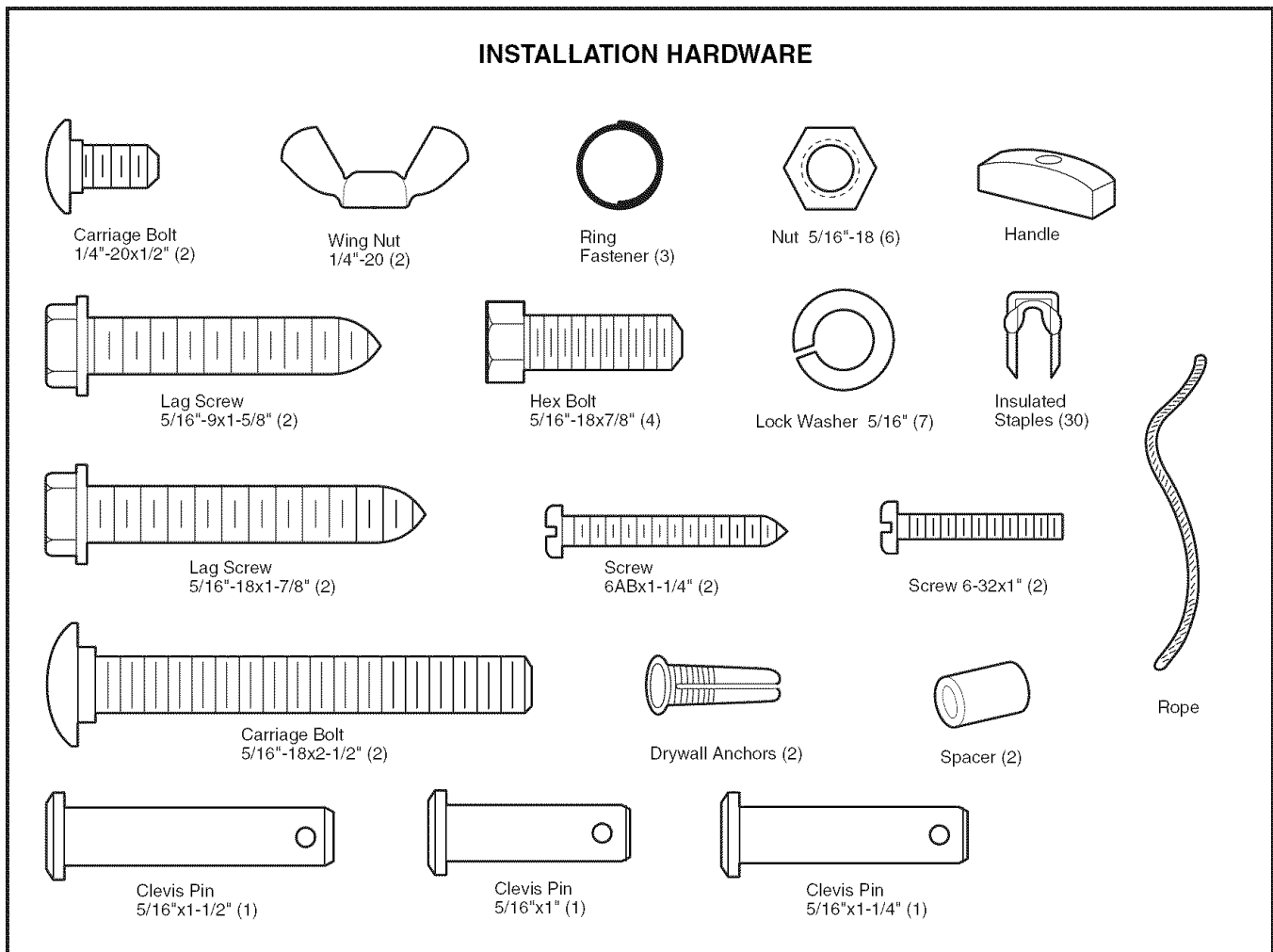
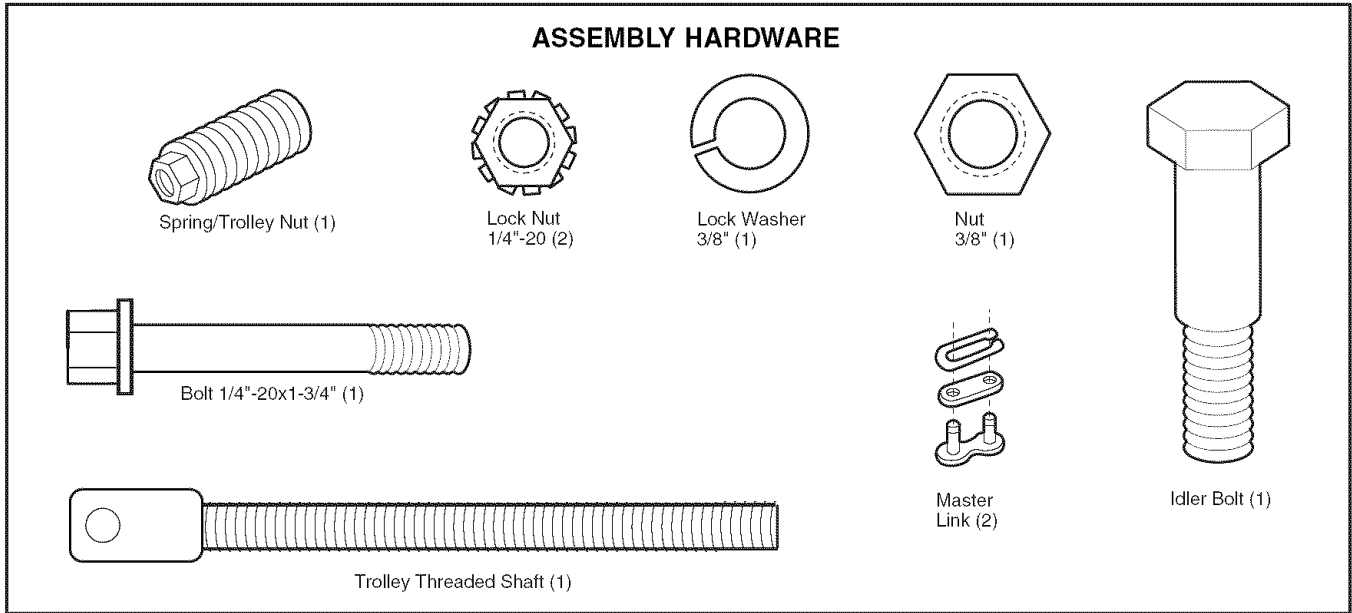
Your garage door opener is packaged in one carton which contains the motor unit and all parts illustrated below. Accessories will depend on the model purchased. If anything is missing, carefully check the packing

material. Parts may be stuck in the foam. Hardware for assembly and installation is shown on the next page. Save the carton and packing material until installation and adjustment is complete.



## Hardware Inventory

Separate all hardware and group as shown below for the assembly and installation procedures.



## ASSEMBLY STEP 1

### Assemble the Rail and Install the Trolley

To avoid installation difficulties, do not run the garage door opener until instructed to do so.

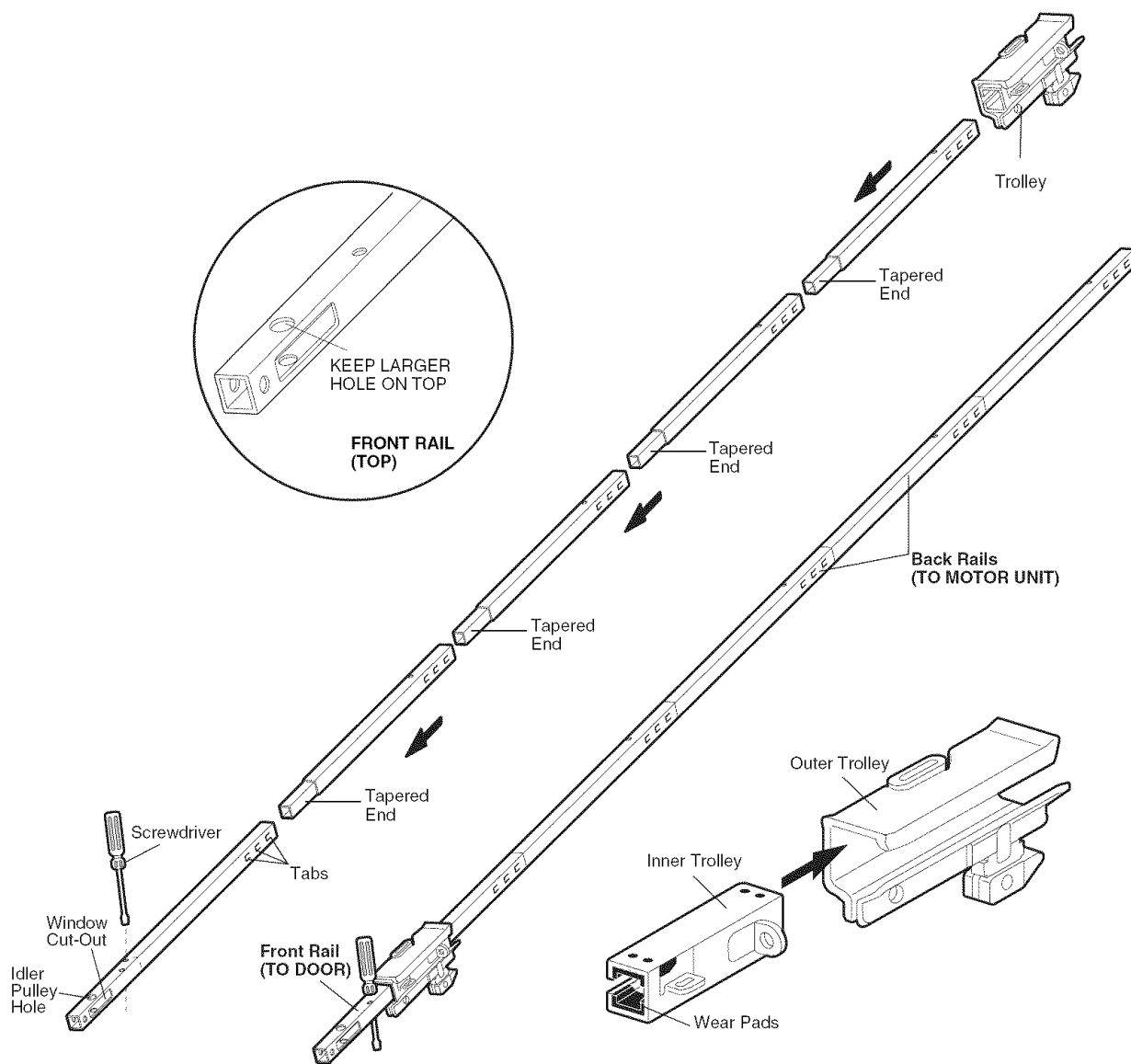
The front rail has a cut out "window" at the door end (see illustration). The hole above this window is larger on the top of the rail than on the bottom. A smaller hole 3-1/2" (8.9 cm) away is close to the rail edge. Rotate the back rail so it has a similar hole close to the opposite edge, about 4-3/4" (12 cm) from the far end.

1. Remove the straight door arm and hanging bracket packaged inside the front rail and set aside for Installation Steps 5 and 12. **NOTE:** To prevent INJURY while unpacking the rail carefully remove the straight door arm stored within the rail section.
2. Align the rail sections on a flat surface as shown and slide the tapered ends into the larger ones. Tabs along the side will lock into place.

## CAUTION

To prevent INJURY from pinching, keep hands and fingers away from the joints while assembling the rail.

3. Place the motor unit on packing material to protect the cover, and rest the back end of the rail on top. For convenience, put a support under the front end of the rail.
4. As a temporary stop, insert a screwdriver into the hole 10" (25 cm) from the front end of the rail, as shown.
5. Check to be sure there are 4 plastic wear pads inside the inner trolley. If they became loose during shipping, check all packing material. Snap them back into position as shown.
6. Slide the trolley assembly along the rail from the back end to the screwdriver.

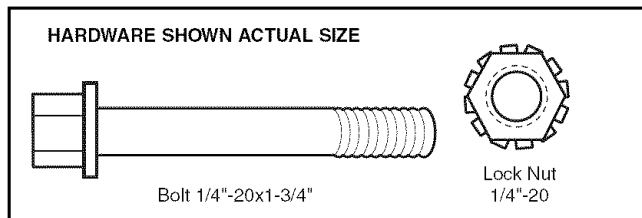




## ASSEMBLY STEP 2

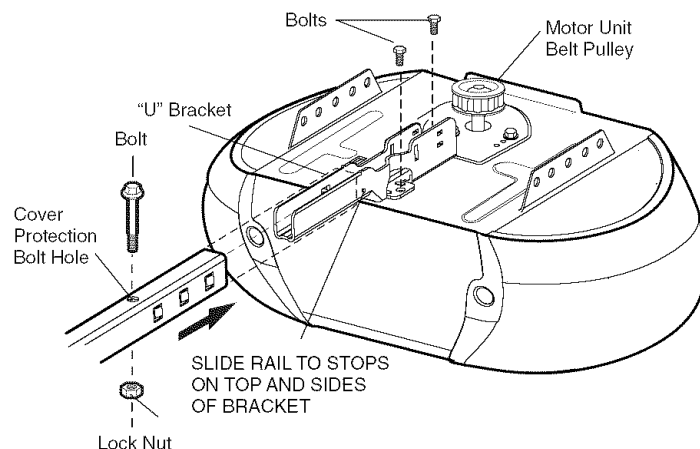
### Fasten the Rail to the Motor Unit

- Insert a 1/4"-20x1-3/4 bolt into the cover protection bolt hole on the back end of the rail as shown. Tighten securely with a 1/4"-20 lock nut. *Do NOT overtighten.*
- Remove the two bolts from the top of the motor unit.
- Place the "U" bracket, flat side down, on the motor unit and align the bracket holes with the bolt holes. Fasten with the previously removed bolts.
- Align the rail assembly with the top of the motor unit. Slide the rail end onto the "U" bracket, *all the way to the stops that protrude on the top and sides of the bracket.*



## CAUTION

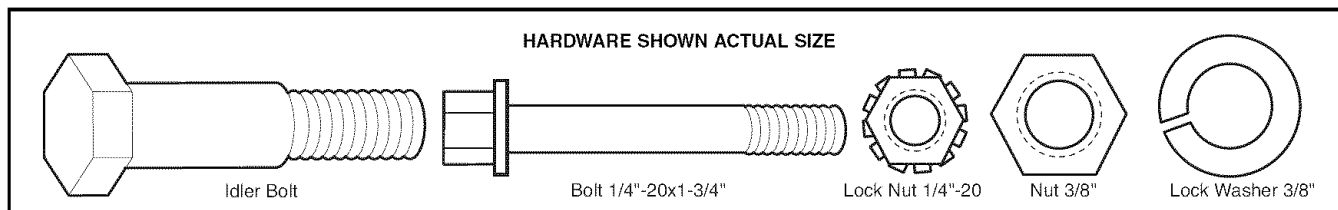
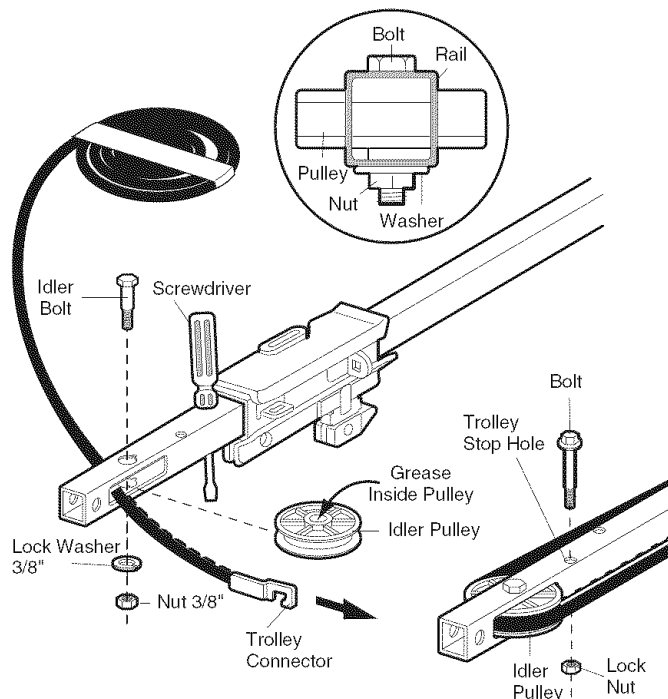
To avoid SERIOUS damage to garage door opener, use ONLY those bolts/fasteners mounted in the top of the opener.



## ASSEMBLY STEP 3

### Install the Idler Pulley

- Lay the belt beside the rail, as shown. Grasp the end with the hooked trolley connector and pass approximately 12" (30 cm) of belt through the window. Keep the ribbed side toward the rail, and allow it to hang until Assembly Step 5.
- Remove the tape from the idler pulley. The inside center should be pre-greased. If dry, regrease to ensure proper operation.
- Place the idler pulley into the window as shown.
- Insert the idler bolt from the top through the rail and pulley. Tighten with a 3/8" lock washer and nut underneath the rail until the lock washer is compressed.
- Rotate the pulley to be sure it spins freely.
- Insert a 1/4"-20x1-3/4 bolt into the trolley stop hole in the front of the rail as shown. Tighten securely with a 1/4"-20 lock nut.



## ASSEMBLY STEP 4

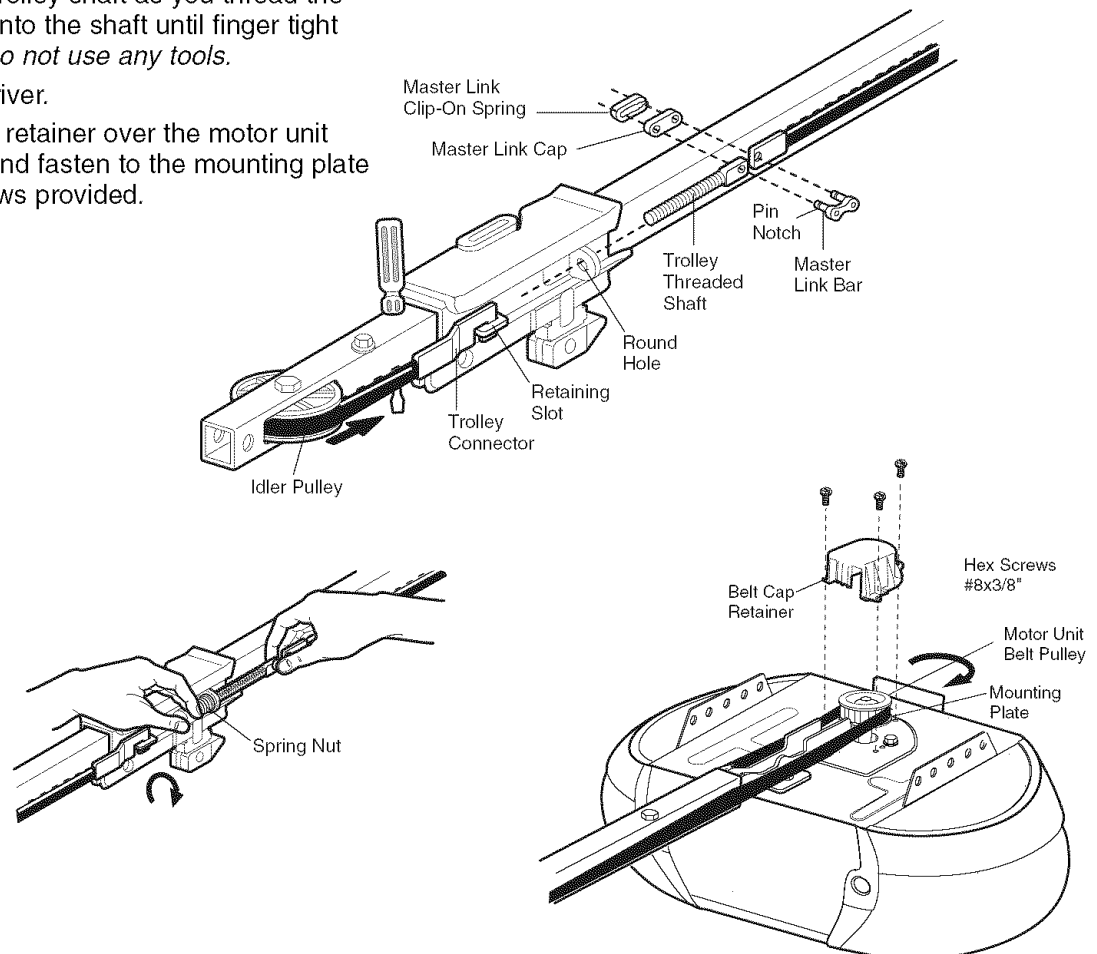
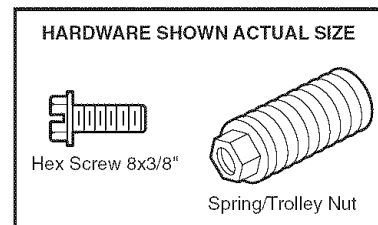
### Install the Belt and Attach the Belt Cap Retainer

1. Pull the belt around the idler pulley and toward the trolley. *The ribbed side must contact the pulley.*
2. Hook the trolley connector into the retaining slot on the trolley as shown.
3. With the trolley against the screwdriver, dispense the remainder of the belt along the rail length toward the motor unit and around the sprocket. The sprocket teeth must engage the belt.
4. Check to make sure the belt is not twisted, then connect it to the flat end of the trolley threaded shaft with the master link, as illustrated:
  - Push pins of master link bar through holes in end of belt and trolley threaded shaft.
  - Push master link cap over pins and past pin notches.
  - Slide clip-on spring over cap and onto pin notches in place.
5. Insert the trolley threaded shaft through the hole in the trolley. *Be sure the belt is not twisted, and the ribbed side faces the rail.*
6. Hold the belt at the trolley shaft as you thread the spring nut by hand onto the shaft until finger tight against the trolley. *Do not use any tools.*
7. Remove the screwdriver.
8. Position the belt cap retainer over the motor unit sprocket as shown and fasten to the mounting plate with 8x3/8" hex screws provided.

## ⚠ WARNING

To avoid possible SERIOUS INJURY to fingers from moving garage door opener:

- ALWAYS keep hand clear of belt pulley while operating opener.
- Securely attach belt pulley cover BEFORE operating.



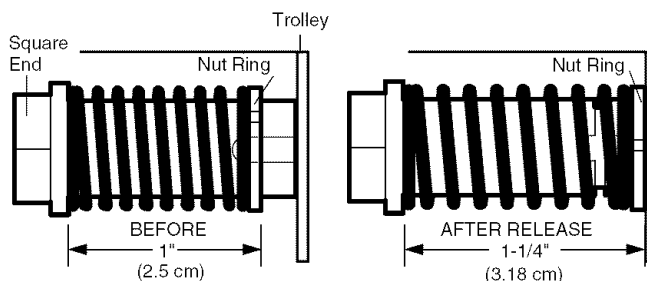
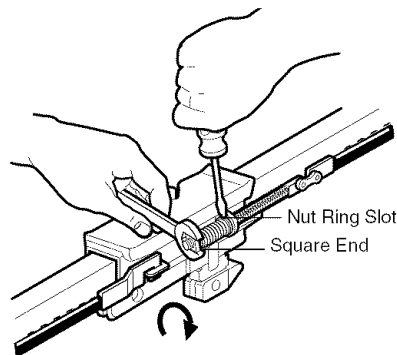
## ASSEMBLY STEP 5

### Set the Tension

- Insert a screwdriver tip into one of the nut ring slots and brace it firmly against the trolley.
- Place a 7/16" open end wrench on the square end. Rotate the nut about 1/4 turn until the spring releases and snaps the nut ring against the trolley.

This sets the spring to optimum belt tension.

*You have now finished assembling your garage door opener. Please read the following warnings before proceeding to the installation section.*



## INSTALLATION

### IMPORTANT INSTALLATION INSTRUCTIONS

#### WARNING

#### To reduce the risk of SEVERE INJURY or DEATH:

1. READ AND FOLLOW ALL INSTALLATION WARNINGS AND INSTRUCTIONS.
2. Install garage door opener ONLY on properly balanced and lubricated garage door. An improperly balanced door may not reverse when required and could result in SEVERE INJURY or DEATH.
3. ALL repairs to cables, spring assemblies and other hardware MUST be made by a trained door systems technician BEFORE installing opener.
4. Disable ALL locks and remove ALL ropes connected to garage door BEFORE installing opener to avoid entanglement.
5. Install garage door opener 7 feet (2.1 m) or more above floor.
6. Mount emergency release handle 6 feet (1.8 m) above floor.
7. NEVER connect garage door opener to power source until instructed to do so.
8. NEVER wear watches, rings or loose clothing while installing or servicing opener. They could be caught in garage door or opener mechanisms.
9. Install wall-mounted garage control console:
  - within sight of the garage door.
  - out of reach of children at minimum height of 5 feet (1.5 m).
  - away from ALL moving parts of the door.
10. Place entrapment warning label on wall next to garage control console.
11. Place manual release/safety reverse test label in plain view on inside of garage door.
12. Upon completion of installation, test safety reversal system. Door MUST reverse on contact with a 1-1/2" (3.8 cm) high object (or a 2x4 laid flat) on the floor.
13. To avoid SERIOUS PERSONAL INJURY or DEATH from electrocution, disconnect ALL electric and battery power BEFORE performing ANY service or maintenance.

# INSTALLATION STEP 1

## Determine the Header Bracket Location

### **⚠ WARNING**

To prevent possible **SERIOUS INJURY** or **DEATH**:

- Header bracket **MUST** be **RIGIDLY** fastened to structural support on header wall or ceiling, otherwise garage door might not reverse when required. **DO NOT** install header bracket over drywall.
- Concrete anchors **MUST** be used if mounting header bracket or 2x4 into masonry.
- **NEVER** try to loosen, move or adjust garage door, springs, cables, pulleys, brackets, or their hardware, all of which are under **EXTREME** tension.
- **ALWAYS** call a trained door systems technician if garage door binds, sticks, or is out of balance. An unbalanced garage door might not reverse when required.

Installation procedures vary according to garage door types. Follow the instructions which apply to your door.

1. Close the door and mark the inside vertical centerline of the garage door.

2. Extend the line onto the header wall above the door.

**You can fasten the header bracket within 4 feet (1.22 m) of the left or right of the door center only if a torsion spring or center bearing plate is in the way; or you can attach it to the ceiling (see page 13) when clearance is minimal. (It may be mounted on the wall upside down if necessary, to gain approximately 1/2" (1 cm).)**

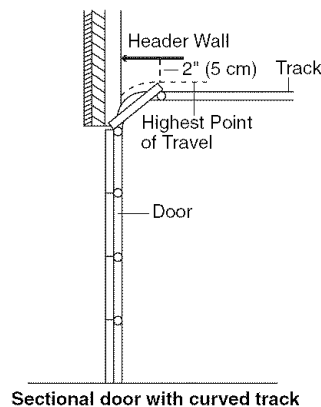
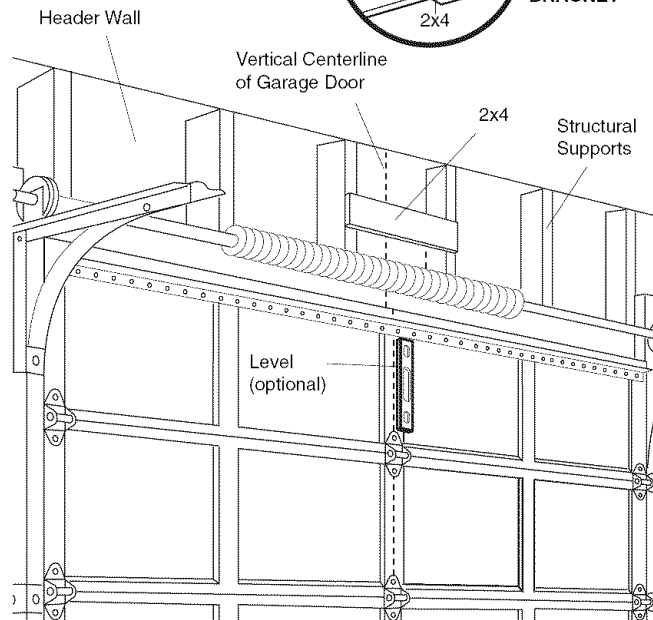
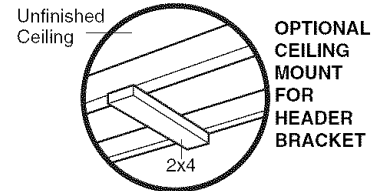
If you need to install the header bracket on a 2x4 (on wall or ceiling), use lag screws (not provided) to securely fasten the 2x4 to structural supports as shown here and on page 13.

3. Open your door to the highest point of travel as shown. Draw an intersecting horizontal line on the header wall above the high point:

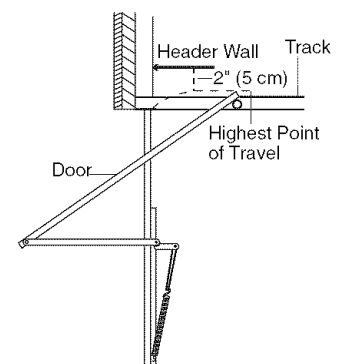
- 2" (5 cm) above the high point for sectional door and one-piece door with track.
- 8" (20 cm) above the high point for one-piece door without track.

This height will provide travel clearance for the top edge of the door.

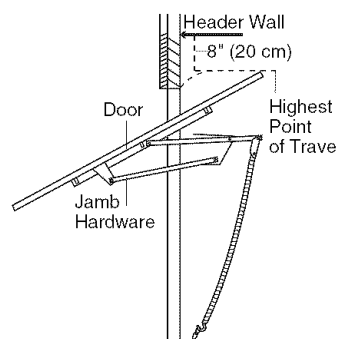
**NOTE:** If the total number of inches exceeds the height available in your garage, use the maximum height possible, or refer to page 13 for ceiling installation.



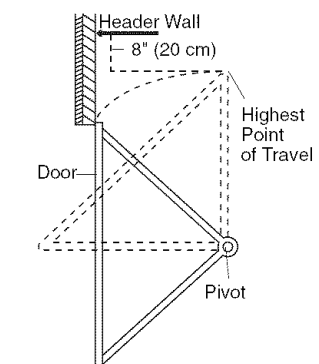
Sectional door with curved track



One-piece door with horizontal track



One-piece door without track: jamb hardware



One-piece door without track: pivot hardware

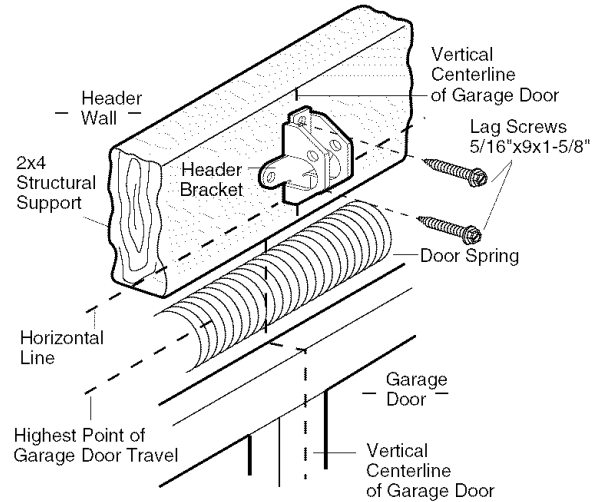
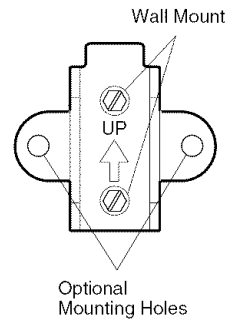
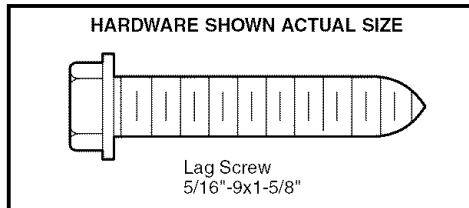
## INSTALLATION STEP 2

### Install the Header Bracket

You can attach the header bracket either to the wall above the garage door, or to the ceiling. Follow the instructions which will work best for your particular requirements. **Do not install the header bracket over drywall. If installing into masonry, use concrete anchors (not provided).**

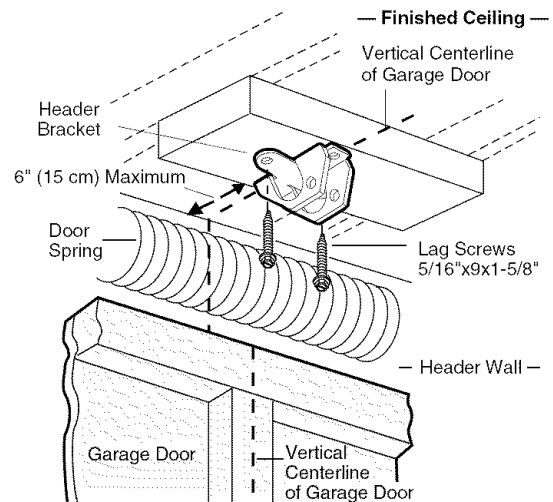
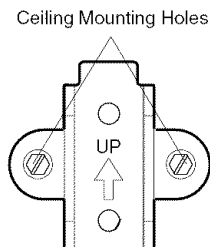
#### WALL HEADER BRACKET INSTALLATION

- Center the bracket on the vertical centerline with the bottom edge of the bracket on the horizontal line as shown (with the arrow pointing toward the ceiling).
- Mark the vertical set of bracket holes. Drill 3/16" pilot holes and fasten the bracket securely to a structural support with the hardware provided.



#### CEILING HEADER BRACKET INSTALLATION

- Extend the vertical centerline onto the ceiling as shown.
- Center the bracket on the vertical mark, no more than 6" (15 cm) from the wall. Make sure the arrow is pointing away from the wall. The bracket can be mounted flush against the ceiling when clearance is minimal.
- Mark the side holes. Drill 3/16" pilot holes and fasten bracket securely to a structural support with the hardware provided.

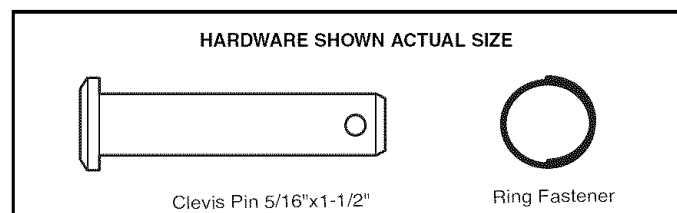
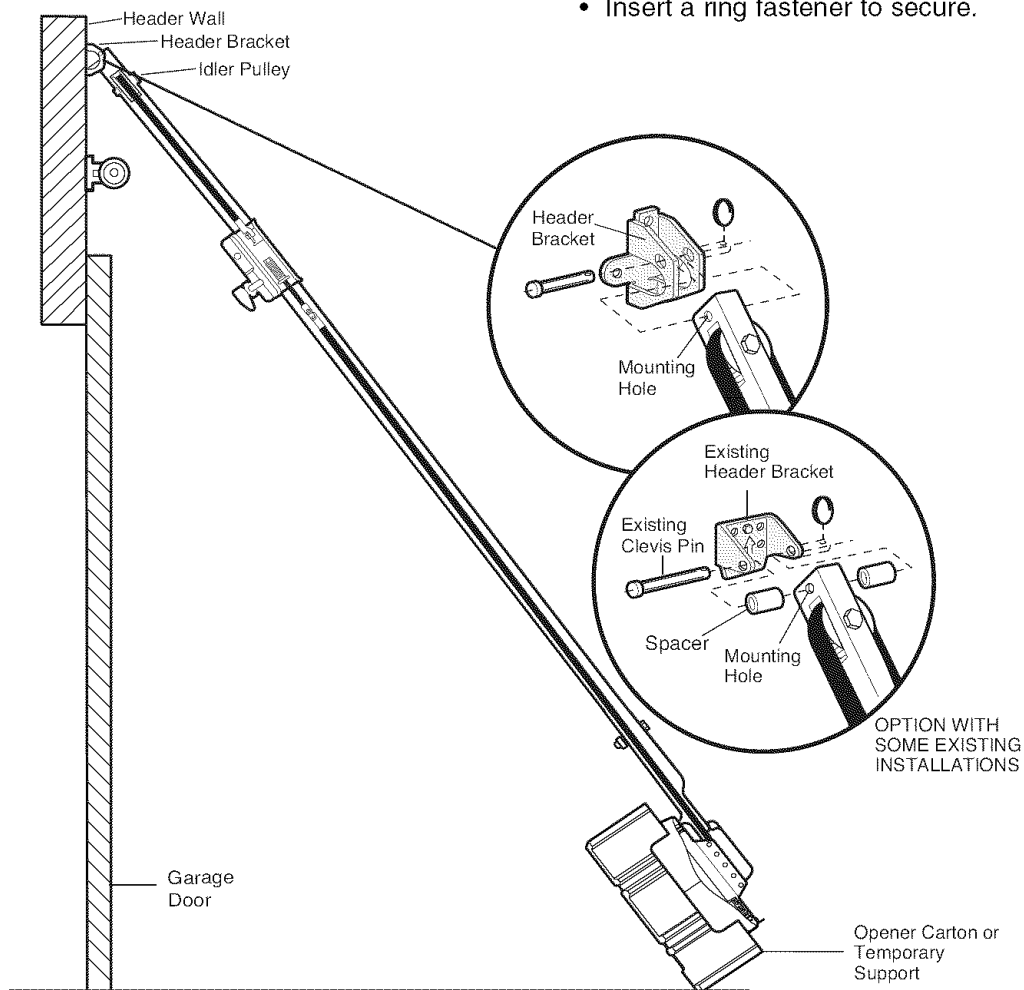


## INSTALLATION STEP 3

### Attach the Rail to the Header Bracket

**NOTE:** (Optional) With some existing installations, you may re-use the old header bracket with the two plastic spacers included in the hardware bag. Place the spacers inside the bracket on each side of the rail, as illustrated.

- Position the opener on the garage floor below the header bracket. Use packing material as a protective base. **NOTE:** If the door spring is in the way, you will need help. Have someone hold the opener securely on a temporary support to allow the rail to clear the spring.
- Position the rail bracket against the header bracket.
- Align the bracket holes and join with a clevis pin as shown.
- Insert a ring fastener to secure.



## INSTALLATION STEP 4

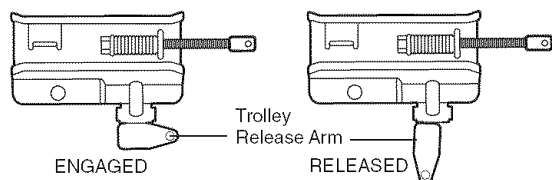
### Position the Opener

Follow instructions which apply to your door type as illustrated.

#### SECTIONAL DOOR OR ONE-PIECE DOOR WITH TRACK

A 2x4 laid flat is convenient for setting an ideal door-to-rail distance.

- Remove foam packaging.
- Raise the opener onto a stepladder. You will need help at this point if the ladder is not tall enough.
- Open the door all the way and place a 2x4 laid flat on the top section beneath the rail.
- If the top section or panel hits the trolley when you raise the door, pull down on the trolley release arm to disconnect inner and outer sections. Slide the outer trolley toward the motor unit. The trolley can remain disconnected until Installation Step 12 is completed.



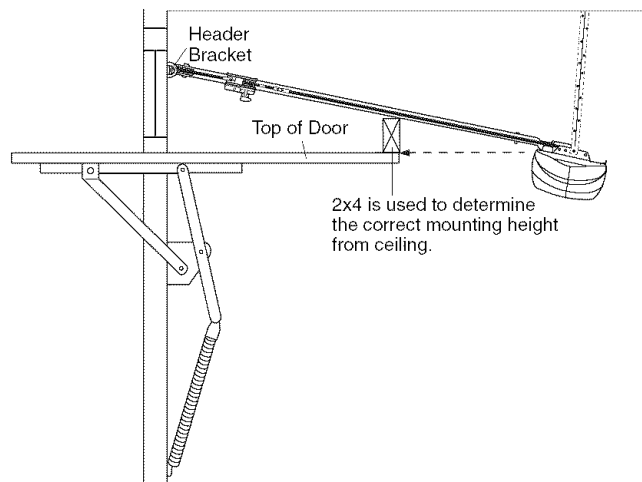
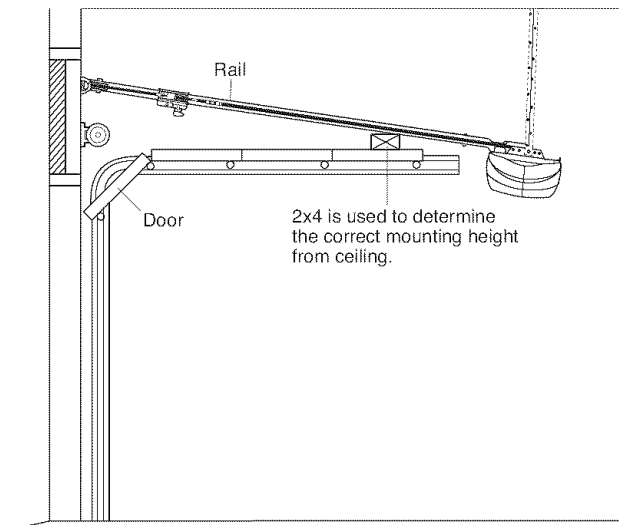
#### ONE-PIECE DOOR WITHOUT TRACK

A 2x4 on its side is convenient for setting an ideal door-to-rail distance.

- Remove foam packaging.
- Raise the opener onto a stepladder. You will need help at this point if the ladder is not tall enough.
- Open the door all the way and place a 2x4 on its side on the top section of the door beneath the rail.
- The top of the door should be level with the top of the motor unit. Do not position the opener more than 4" (10 cm) above this point.

## CAUTION

To prevent damage to garage door, rest garage door opener rail on 2x4 placed on top section of door.



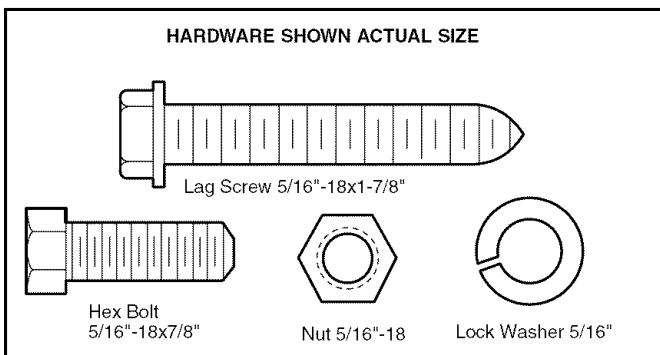
## INSTALLATION STEP 5

### Hang the Opener

Three representative installations are shown. Yours may be different. Hanging brackets should be angled (Figure 1) to provide rigid support. On finished ceilings (Figures 2 and 3), attach a sturdy metal bracket to structural supports before installing the opener. This bracket and fastening hardware are not provided.

1. Measure the distance from each side of the motor unit to the structural support.
2. Cut both pieces of the hanging bracket to required lengths.
3. Drill 3/16" pilot holes in the structural supports.
4. Attach one end of each bracket to a support with 5/16"-18x1-7/8" lag screws.
5. Fasten the opener to the hanging brackets with 5/16"-18x7/8" hex bolts, lock washers and nuts.
6. Check to make sure the rail is centered over the door (or in line with the header bracket if the bracket is not centered above the door).
7. Remove the 2x4. Operate the door manually. If the door hits the rail, raise the header bracket.

**NOTE:** DO NOT connect power to opener at this time.



## ⚠ WARNING

To avoid possible **SERIOUS INJURY** from a falling garage door opener, fasten it **SECURELY** to structural supports of the garage. Concrete anchors **MUST** be used if installing any brackets into masonry.

Figure 1

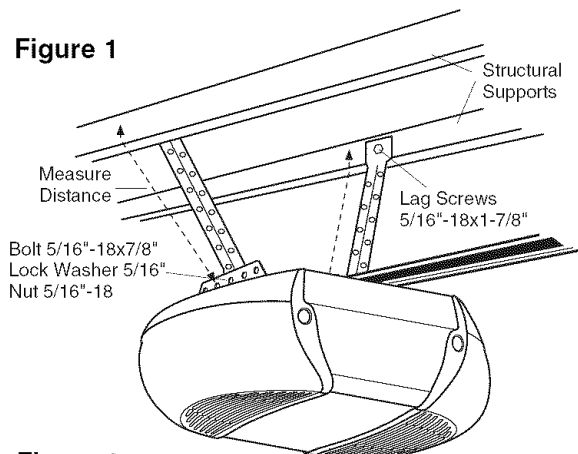


Figure 2

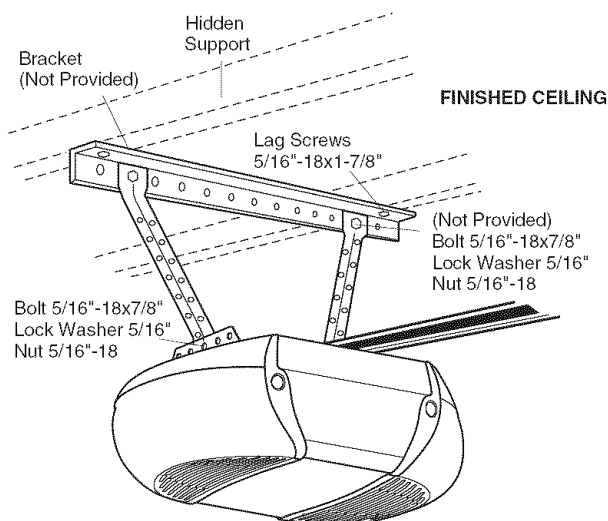
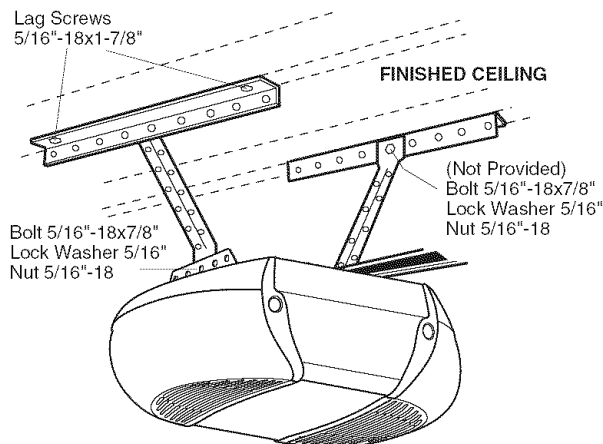


Figure 3





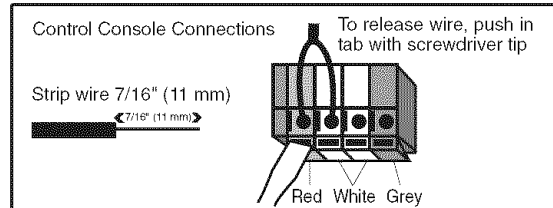
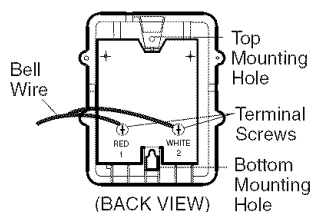
## INSTALLATION STEP 6

### Install the Control Console

Locate control console within sight of door, at a minimum height of 5 feet (1.5 m) where small children cannot reach, away from moving parts of door and door hardware. If installing into drywall, drill 5/32" holes and use the anchors provided. For pre-wired installations (as in new home construction), it may be mounted to a single gang box (Figure 2).

1. Strip 7/16" (11 mm) of insulation from one end of bell wire and connect to the two screw terminals on back of control console by color: white wire to 2 and white/red wire to the 1.
2. Remove cover by gently prying at slot in top of the cover with a small flat head screwdriver. Fasten with 6ABx1-1/4" self-tapping screws (drywall installation) or 6-32x1" machine screws (into gang box) as follows:
  - Install bottom screw, allowing 1/8" (3 mm) to protrude above wall surface.
  - Position bottom of control console on screw head and slide down to secure. Adjust screw for snug fit.
  - Drill and install top screw with care to avoid cracking plastic housing. **Do not overtighten.**
  - Insert top tabs and snap on cover.
3. **(For standard installation only)** Run bell wire up wall and across ceiling to motor unit. Use insulated staples to secure wire in several places. Do not pierce wire with a staple, creating a short or open circuit.
4. Strip 7/16" (11 mm) of insulation from end of bell wire. Connect bell wire to the quick-connect terminals as follows: white to white and white/red to red.
5. Position the antenna wire as shown.
6. Use tacks or staples to permanently attach entrapment warning label to wall near control console, and manual release/safety reverse test label in a prominent location on inside of garage door.

**NOTE:** DO NOT connect power and operate opener at this time. The trolley will travel to the full open position but will not return to the close position until the sensor beam is connected and properly aligned.



## ⚠️ WARNING

To prevent possible SERIOUS INJURY or DEATH from electrocution:

- Disconnect ALL electric and battery power BEFORE performing ANY service or maintenance.
- Connect ONLY to 24 VOLT low voltage wires.

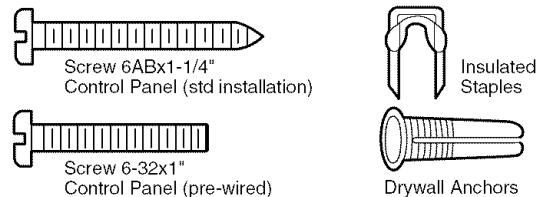
To prevent possible SERIOUS INJURY or DEATH from a closing garage door:

- Install control console within sight of garage door, out of reach of children at a minimum height of 5 feet (1.5 m), and away from ALL moving parts of door.
- NEVER permit children to operate or play with control console push buttons or remote controls.
- Activate door ONLY when it can be seen clearly, is properly adjusted, and there are no obstructions to door travel.
- ALWAYS keep garage door in sight until completely closed. NEVER permit anyone to cross path of closing garage door.

### Outside Keylock Accessory Connections

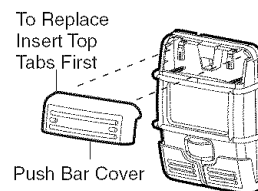
To opener quick-connect terminals: white to white; white/red to red.

#### HARDWARE SHOWN ACTUAL SIZE



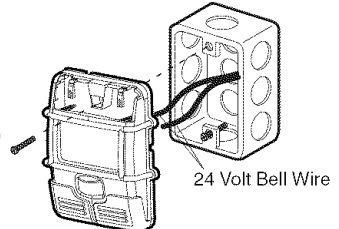
#### Figure 1

##### REMOVE & REPLACE COVER



#### Figure 2

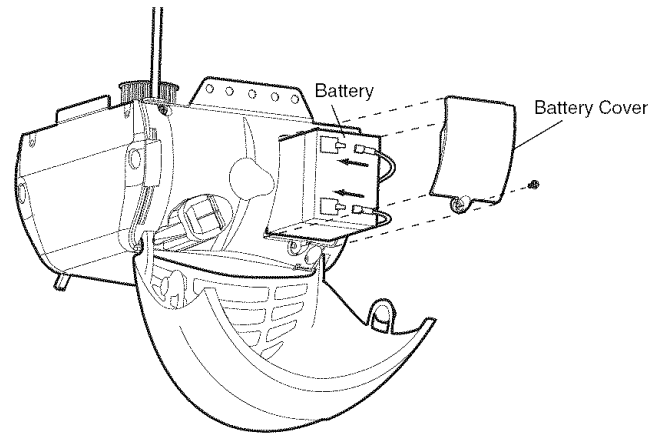
##### PRE-WIRED INSTALLATION



## INSTALLATION STEP 7

### Install the Battery

- Make sure motor unit is unplugged.
- Using a Phillips head screwdriver, remove the battery cover on the motor unit.
- Partially insert battery into motor unit with terminals facing out.
- Connect the red (+) and black (-) wires from motor unit to corresponding terminals on battery.
- Replace battery cover.



## INSTALLATION STEP 8

### Install the Lights

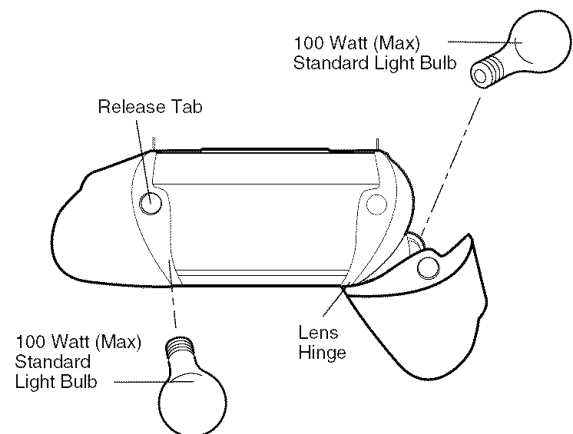
- Press the release tabs on both sides of lens. Gently rotate lens back and downward until the lens hinge is in the fully open position. Do not remove the lens.
- Install up to a 100 watt maximum light bulb in each socket. The lights will turn ON and remain lit for approximately 4-1/2 minutes when power is connected. Then the lights will turn OFF.
- Reverse the procedure to close the lens.
- If the bulbs burn out prematurely due to vibration, replace with a Garage Door Opener bulb.

**NOTE:** Use only standard light bulbs. The use of short neck or speciality light bulbs may overheat the endpanel or light socket.

### CAUTION

To prevent possible OVERHEATING of the endpanel or light socket:

- DO NOT use short neck or specialty light bulbs.
- DO NOT use halogen bulbs. Use ONLY incandescent.



## INSTALLATION STEP 9

### Attach the Emergency Release Rope and Handle

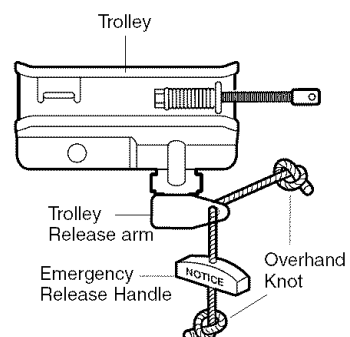
- Thread one end of the rope through the hole in the top of the red handle so "NOTICE" reads right side up as shown. Secure with an overhand knot at least 1" (2.5 cm) from the end of the rope to prevent slipping.
- Thread the other end of the rope through the hole in the release arm of the outer trolley.
- Adjust rope length so the handle is 6 feet (1.83 m) above the floor. Ensure that the rope and handle clear the tops of all vehicles to avoid entanglement. Secure with an overhand knot.

**NOTE:** If it is necessary to cut the rope, heat seal the cut end with a match or lighter to prevent unraveling.

### WARNING

To prevent possible SERIOUS INJURY or DEATH from a falling garage door:

- If possible, use emergency release handle to disengage trolley ONLY when garage door is CLOSED. Weak or broken springs or unbalanced door could result in an open door falling rapidly and/or unexpectedly.
- NEVER use emergency release handle unless garage doorway is clear of persons and obstructions.
- NEVER use handle to pull door open or closed. If rope knot becomes untied, you could fall.

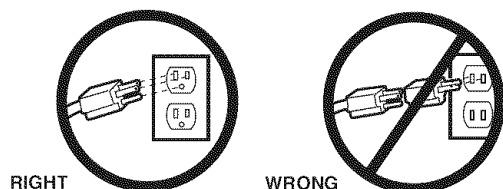


## INSTALLATION STEP 10

### Electrical Requirements

To avoid installation difficulties, do not run the opener at this time.

To reduce the risk of electric shock, your garage door opener has a grounding type plug with a third grounding pin. This plug will only fit into a grounding type outlet. If the plug doesn't fit into the outlet you have, contact a qualified electrician to install the proper outlet.



If permanent wiring is required by your local code, refer to the following procedure.

To make a permanent connection through the 7/8" (2 cm) hole in the top of the motor unit:

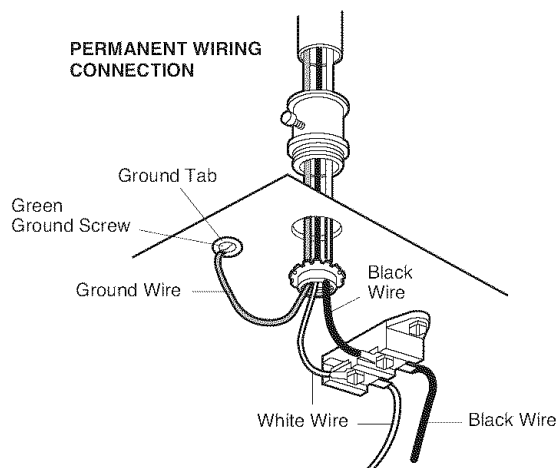
- Remove the motor unit cover screws and set the cover aside.
- Remove the attached 3-prong cord.
- Connect the black (line) wire to the screw on the brass terminal; the white (neutral) wire to the screw on the silver terminal; and the ground wire to the green ground screw. **The opener must be grounded.**
- Reinstall the cover.

To avoid installation difficulties, do not run the opener at this time.

## ⚠ WARNING

To prevent possible SERIOUS INJURY or DEATH from electrocution or fire:

- Disconnect ALL electric and battery power BEFORE performing ANY service or maintenance.
- Garage door installation and wiring MUST be in compliance with ALL local electrical and building codes.
- NEVER use an extension cord, 2-wire adapter, or change plug in any way to make it fit outlet. Be sure the opener is grounded.



## INSTALLATION STEP 11

### Install The Protector System® (Safety Sensors)

The safety reversing sensor must be connected and aligned correctly before the garage door opener will move in the down direction.

#### IMPORTANT INFORMATION ABOUT THE SAFETY REVERSING SENSOR

When properly connected and aligned, the sensor will detect an obstacle in the path of its electronic beam. The sending eye (with an amber indicator light) transmits an invisible light beam to the receiving eye (with a green indicator light). If an obstruction breaks the light beam while the door is closing, the door will stop and reverse to full open position, and the opener lights will flash 10 times.

The units must be installed inside the garage so that the sending and receiving eyes face each other across the door, no more than 6" (15 cm) above the floor. Either can be installed on the left or right of the door as long as the sun never shines directly into the receiving eye lens.

The mounting brackets are designed to clip onto the track of sectional garage doors without additional hardware.

## ⚠ WARNING

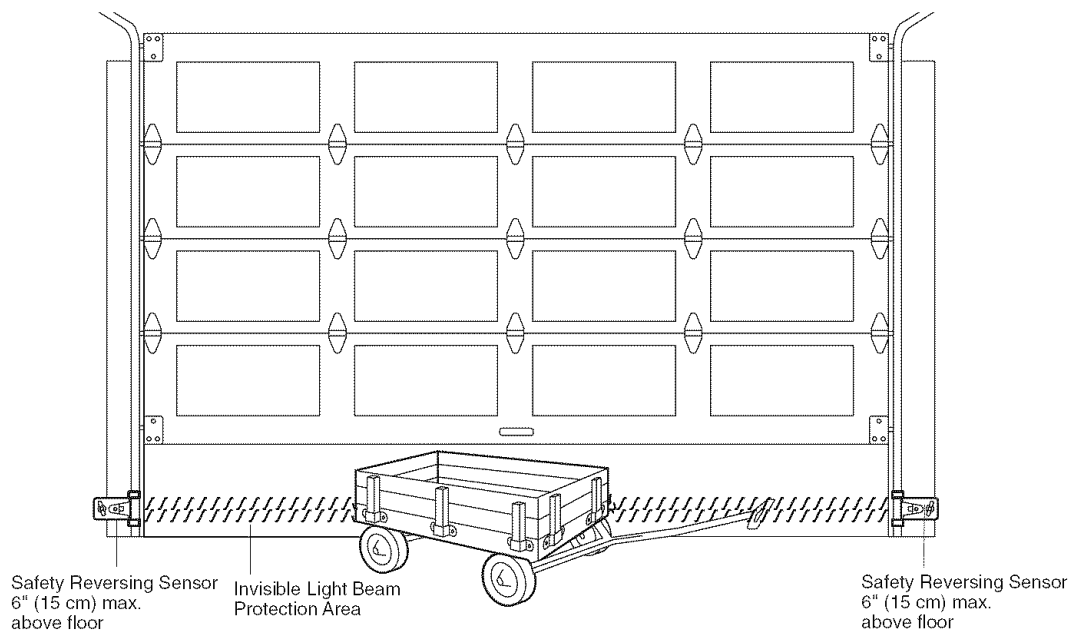
Be sure power is NOT connected to the garage door opener BEFORE installing the safety reversing sensor.

To prevent SERIOUS INJURY or DEATH from a closing garage door:

- Correctly connect and align the safety reversing sensor. This required safety device MUST NOT be disabled.
- Install the safety reversing sensor so beam is NO HIGHER than 6" (15 cm) above garage floor.

If it is necessary to mount the units on the wall, the brackets must be securely fastened to a solid surface such as the wall framing. Extension brackets (see accessories) are available if needed. If installing in masonry construction, add a piece of wood at each location to avoid drilling extra holes in masonry if repositioning is necessary.

The invisible light beam path must be unobstructed. No part of the garage door (or door tracks, springs, hinges, rollers or other hardware) may interrupt the beam while the door is closing.



Facing the door from inside the garage

## INSTALLING THE BRACKETS

Be sure power to the opener is disconnected. Install and align the brackets so the sensors will face each other across the garage door, with the beam no higher than 6" (15 cm) above the floor. They may be installed in one of three ways, as follows.

### Garage door track installation (preferred):

- Slip the curved arms over the rounded edge of each door track, with the curved arms facing the door. Snap into place against the side of the track. It should lie flush, with the lip hugging the back edge of the track (Figure 1).

If your door track will not support the bracket securely, wall installation is recommended.

### Wall installation (Figures 2 and 3):

- Place the bracket against the wall with curved arms facing the door. Be sure there is enough clearance for the sensor beam to be unobstructed.
- If additional depth is needed, an extension bracket (see Accessories) or wood blocks can be used.
- Use bracket mounting holes as a template to locate and drill (2) 3/16" diameter pilot holes on the wall at each side of the door, no higher than 6" (15 cm) above the floor.
- Attach brackets to wall with lag screws (not provided).
- If using extension brackets or wood blocks, adjust right and left assemblies to the same distance out from the mounting surface. Make sure all door hardware obstructions are cleared.

### Floor installation (Figure 4):

- Use wood blocks or extension brackets (see Accessories) to elevate sensor brackets so the lenses will be no higher than 6" (15 cm) above the floor.
- Carefully measure and place right and left assemblies at the same distance out from the wall. Be sure all door hardware obstructions are cleared.
- Fasten to the floor with concrete anchors as shown.

Figure 1 DOOR TRACK MOUNT (RIGHT SIDE)

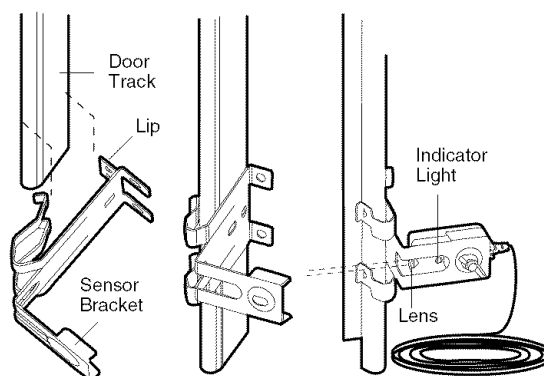


Figure 2

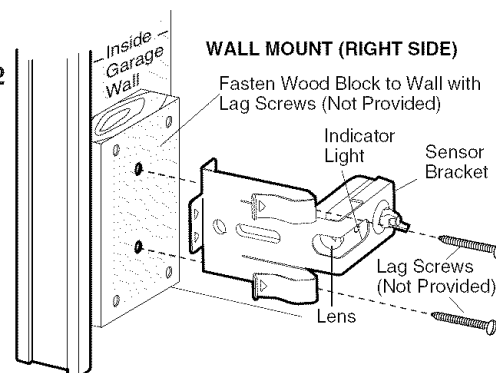


Figure 3

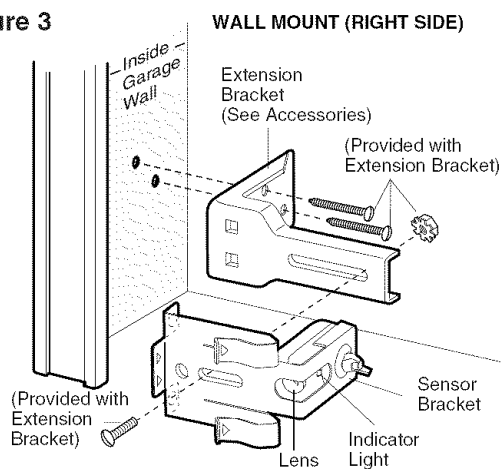
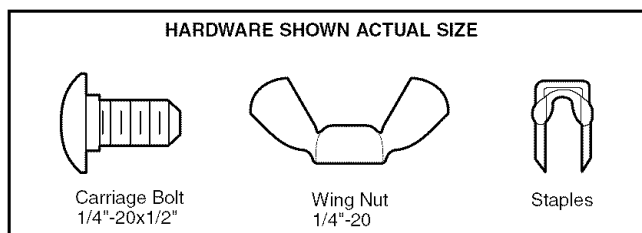
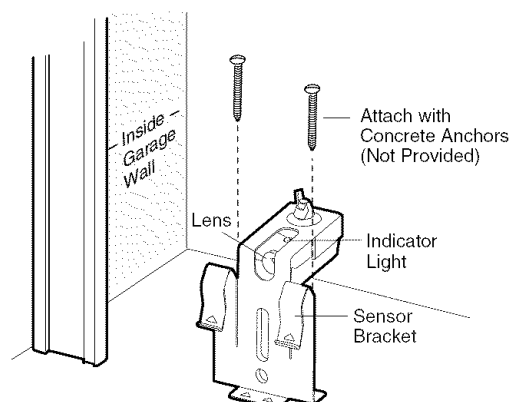


Figure 4

FLOOR MOUNT (RIGHT SIDE)



## MOUNTING AND WIRING THE SAFETY REVERSING SENSORS

- Slide a 1/4"-20x1/2" carriage bolt head into the slot on each sensor. Use wing nuts to fasten sensors to brackets, with lenses pointing toward each other across the door. Be sure the lens is not obstructed by a bracket extension (Figure 5).
- Finger tighten the wing nuts.
- Run the wires from both sensors to the opener. Use insulated staples to secure wire to wall and ceiling.
- Strip 7/16" (11 mm) of insulation from each set of wires. Separate white and white/black wires sufficiently to connect to the opener quick-connect terminals. Twist like colored wires together. Insert wires into quick-connect holes: white to white and white/black to grey (Figure 6).

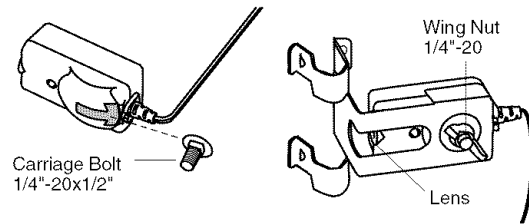
### ALIGNING THE SAFETY REVERSING SENSORS

- Plug in the opener. The indicator lights in both the *sending* and *receiving eyes* will *glow steadily* if wiring connections and alignment are correct.

The *sending eye* amber indicator light will glow regardless of alignment or obstruction. If the green indicator light in the *receiving eye* is off, dim, or flickering (and the invisible light beam path is not obstructed), alignment is required.

- Loosen the *sending eye* wing nut and readjust, aiming directly at the *receiving eye*. Lock in place.
- Loosen the *receiving eye* wing nut and adjust sensor until it receives the sender's beam. When the green indicator light *glows steadily*, tighten the wing nut.

Figure 5

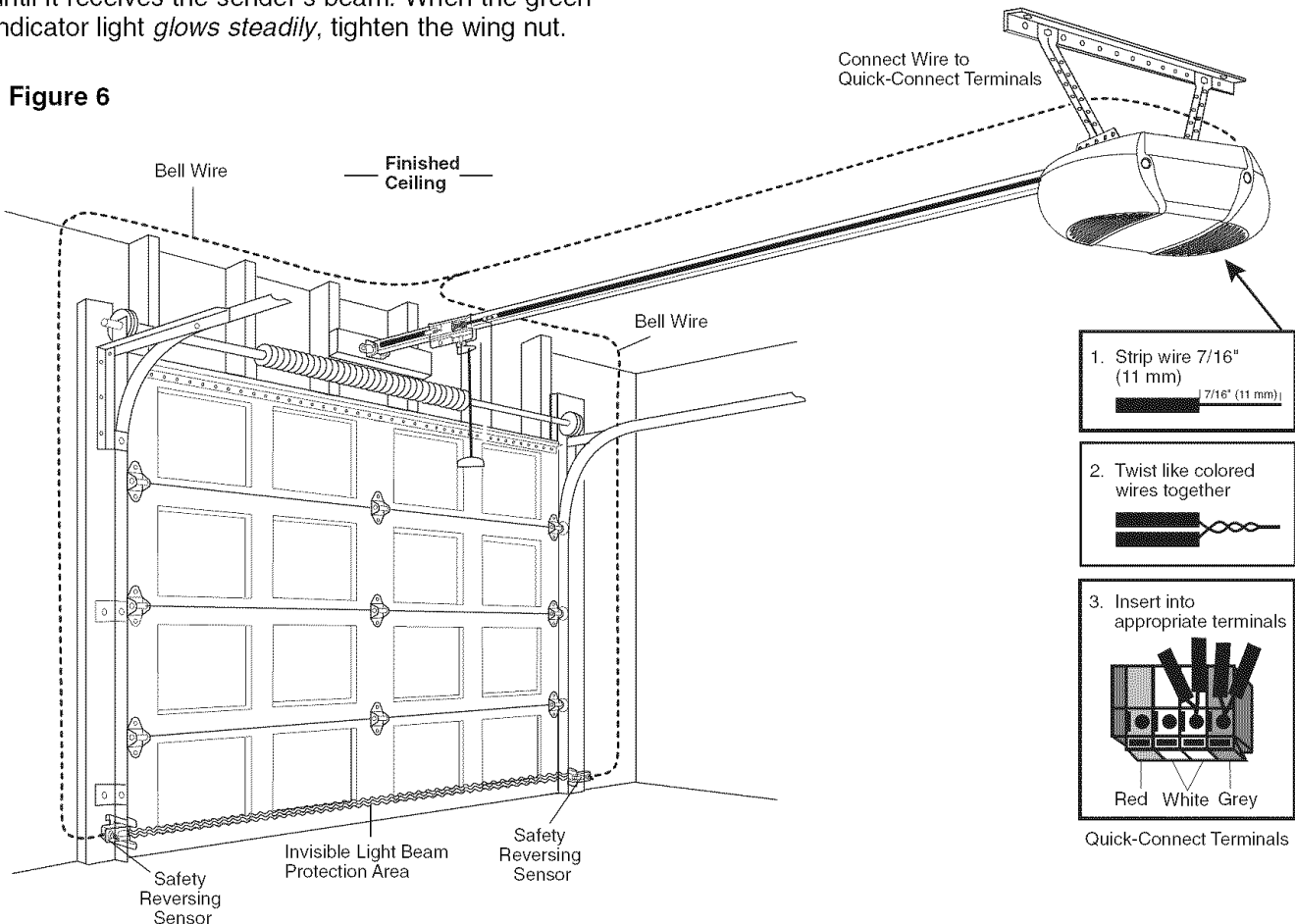


### TROUBLESHOOTING THE SAFETY REVERSING SENSORS

1. If the *sending eye* indicator light does not *glow steadily* after installation, check for:
  - Electric power to the opener.
  - A short in the white or white/black wires. These can occur at staples, or at opener connections.
  - Incorrect wiring between sensors and opener.
  - A broken wire.
2. If the *sending eye* indicator light *glows steadily* but the *receiving eye* indicator light doesn't:
  - Check alignment.
  - Check for an open wire to the *receiving eye*.
3. If the *receiving eye* indicator light is dim, realign either sensor.

**NOTE:** When the invisible beam path is obstructed or misaligned while the door is closing, the door will reverse. If the door is already open, it will not close. The opener lights will blink 10 times. See page 20.

Figure 6



## INSTALLATION STEP 12

### Fasten the Door Bracket

Follow instructions which apply to your door type as illustrated below or on the following page.

**A horizontal reinforcement brace should be long enough to be secured to two vertical supports. A vertical reinforcement brace should cover the height of the top panel.**

The illustration shows one piece of angle iron as the horizontal brace. For the vertical brace, two pieces of angle iron are used to create a U-shaped support (Figure 1). The best solution is to check with your garage door manufacturer for an opener installation door reinforcement kit.

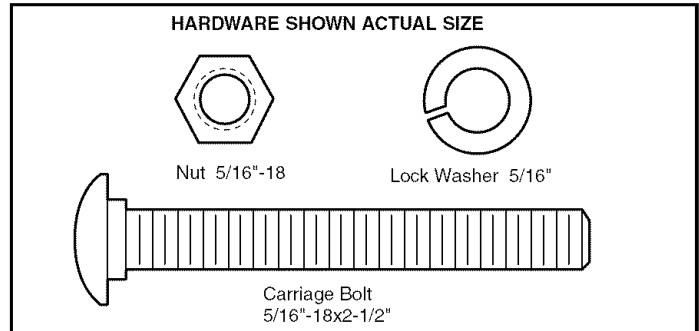
**NOTE:** Many vertical brace installations provide for direct attachment of the clevis pin and door arm. In this case you will not need the door bracket; proceed to Installation Step 13.

### SECTIONAL DOORS

1. Center the door bracket on the previously marked vertical centerline used for the header bracket installation. Note correct UP placement, as stamped inside the bracket (Figure 2).
2. Position the bracket on the face of the door within the following limits:
  - The top edge of the bracket 2"-4" (5-10 cm) below the top edge of the door.
  - The top edge of the bracket directly below any structural support across the top of the door.

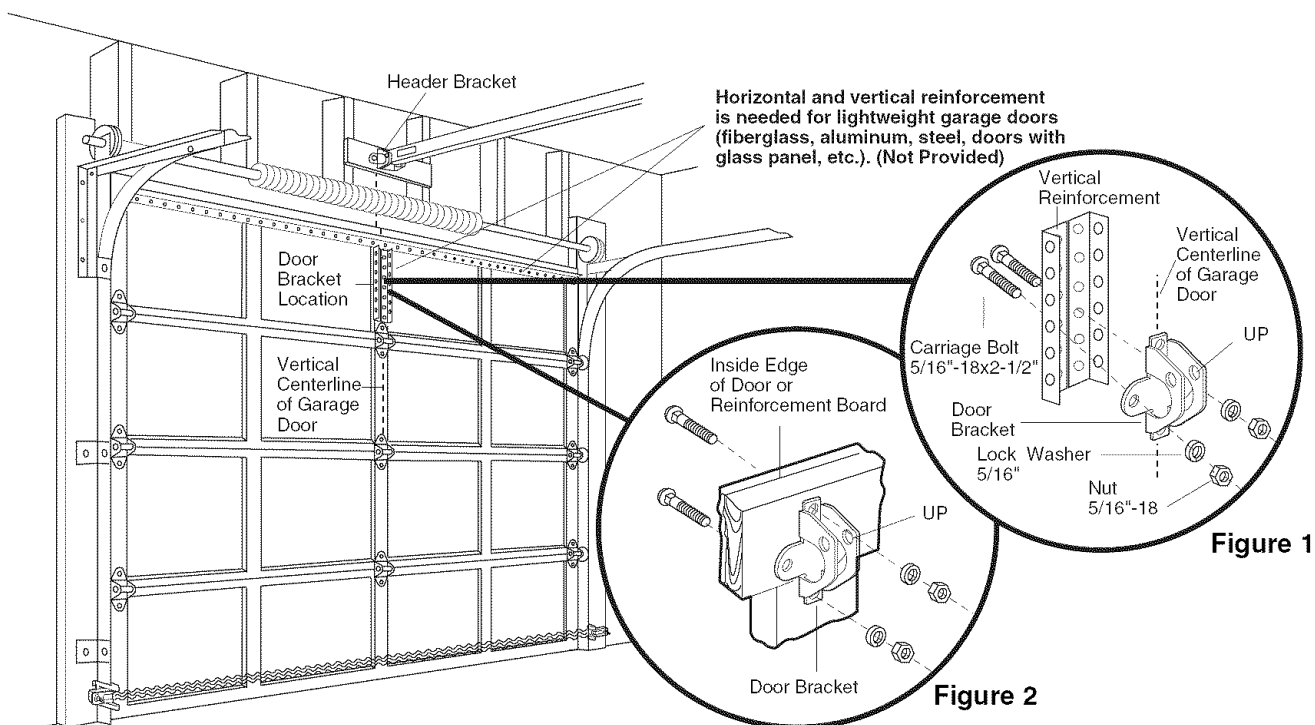
### CAUTION

Fiberglass, aluminum or lightweight steel garage doors **WILL REQUIRE** reinforcement BEFORE installation of door bracket. Contact your door manufacturer for reinforcement kit.



- Mark and drill 5/16" left and right fastening holes. Secure the bracket as shown in Figure 1 if there is vertical reinforcement.

If your installation doesn't require vertical reinforcement but does need top and bottom fastening holes for the door bracket, fasten as shown in Figure 2.



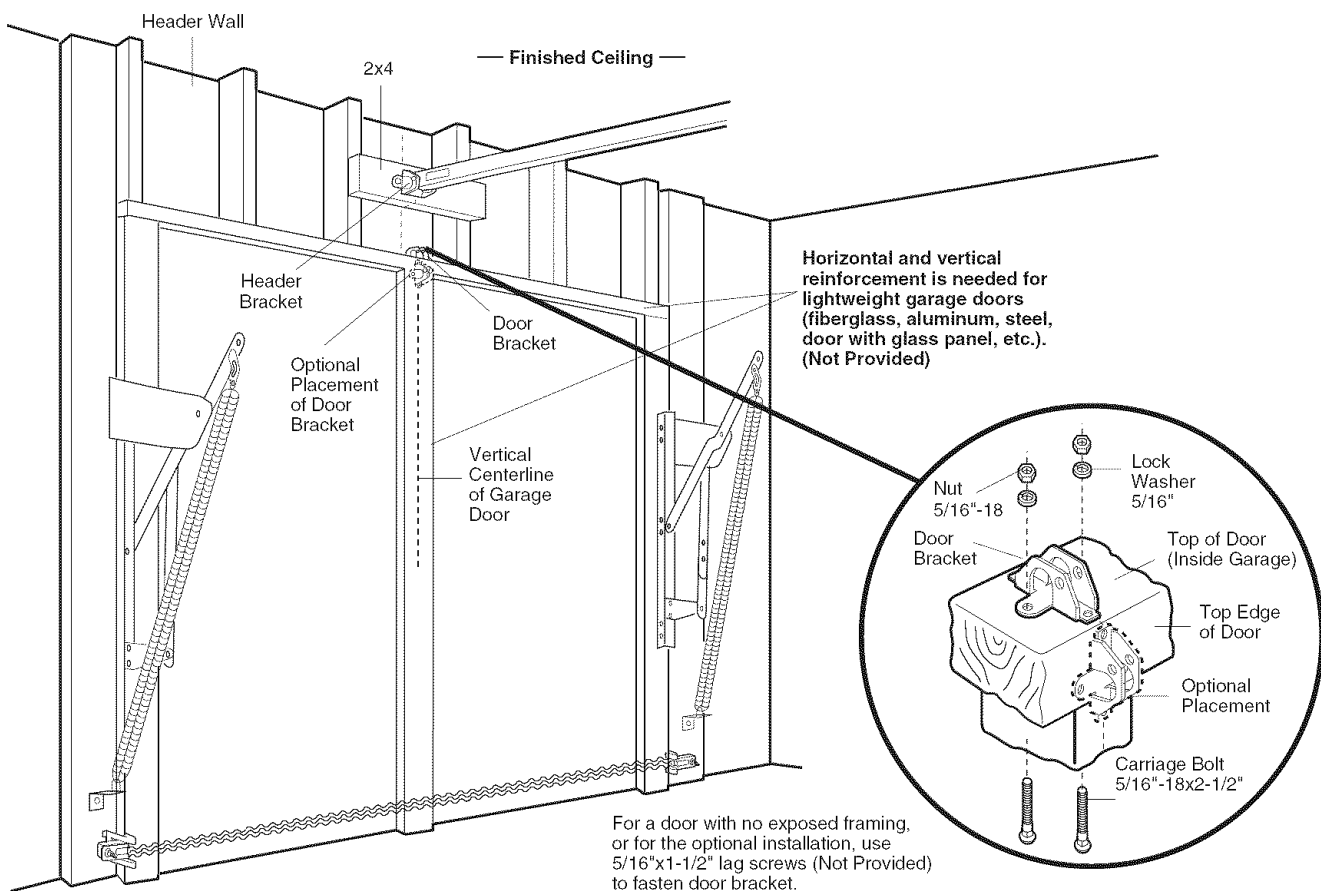
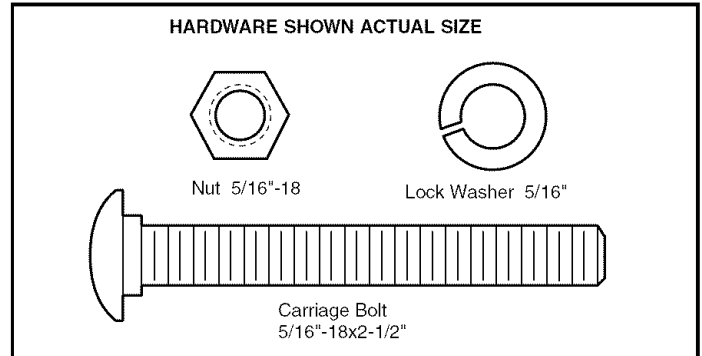
## ONE-PIECE DOORS

Please read and comply with the warnings and reinforcement instructions on the previous page. They apply to one-piece doors also.

- Center the door bracket on the top of the door, in line with the header bracket as shown. Mark either the left and right, or the top and bottom holes.
- Drill 5/16" pilot holes and fasten the bracket with hardware supplied.

If the door has no exposed framing, drill 3/16" pilot holes and fasten the bracket with 5/16"x1-1/2" lag screws (not provided) to the top of the door.

**NOTE:** The door bracket may be installed on the top edge of the door if required for your installation. (Refer to the dotted line optional placement drawing.) Drill 3/16" pilot holes and substitute 5/16"x1-1/2" lag screws (not provided) to fasten the bracket to the door.





# INSTALLATION STEP 13

## Connect Door Arm to Trolley

Follow instructions which apply to your door type as illustrated below and on the following page.

### SECTIONAL DOORS ONLY

Make sure garage door is fully closed. Pull the emergency release handle to disconnect the outer trolley from the inner trolley. Slide the outer trolley back (away from the pulley) about 8" (20 cm) (Figures 1, 2 and 3).

#### Figure 1:

- Fasten straight door arm section to outer trolley with the 5/16"x1" clevis pin. Secure the connection with a ring fastener.
- Fasten curved section to the door bracket in the same way, using the 5/16"x1-1/4" clevis pin.

#### Figure 2:

- Bring arm sections together. Find two pairs of holes that line up and join sections. Select holes as far apart as possible to increase door arm rigidity.

#### Figure 3, Hole alignment alternative:

- If holes in curved arm are above holes in straight arm, disconnect straight arm. Cut about 6" (15 cm) from the solid end. Reconnect to trolley with cut end down as shown.
- Bring arm sections together.
- Find two pairs of holes that line up and join with bolts, lock washers and nuts.

Pull the emergency release handle toward the opener at a 45° angle so that the trolley release arm is horizontal. Proceed to Adjustment Step 1, page 27. Trolley will re-engage automatically when opener is operated.

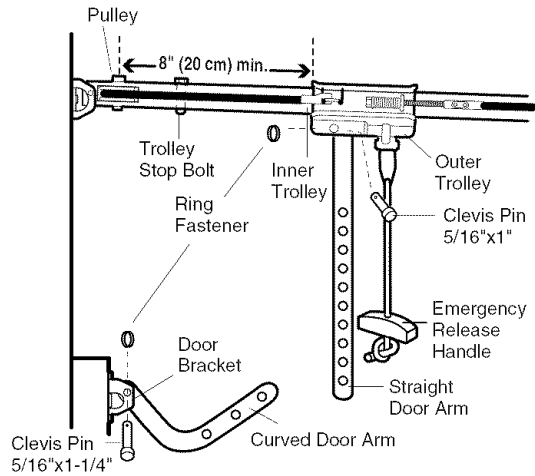


Figure 1

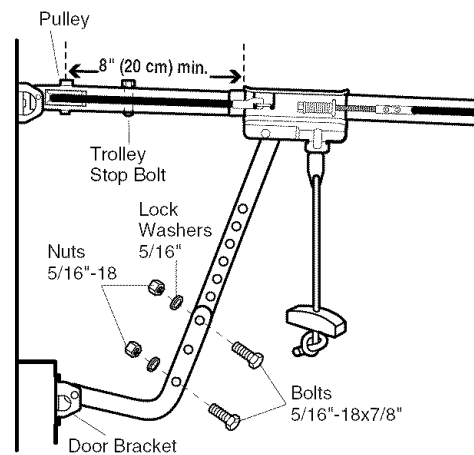


Figure 2

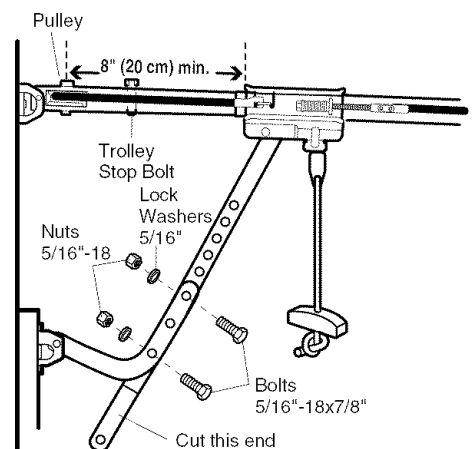
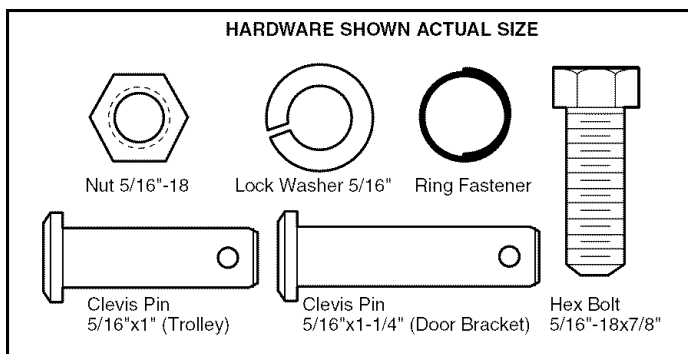
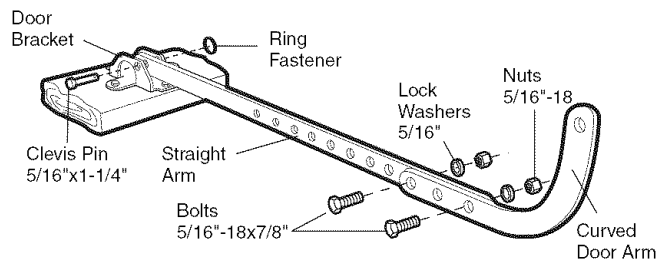


Figure 3

## ALL ONE-PIECE DOORS

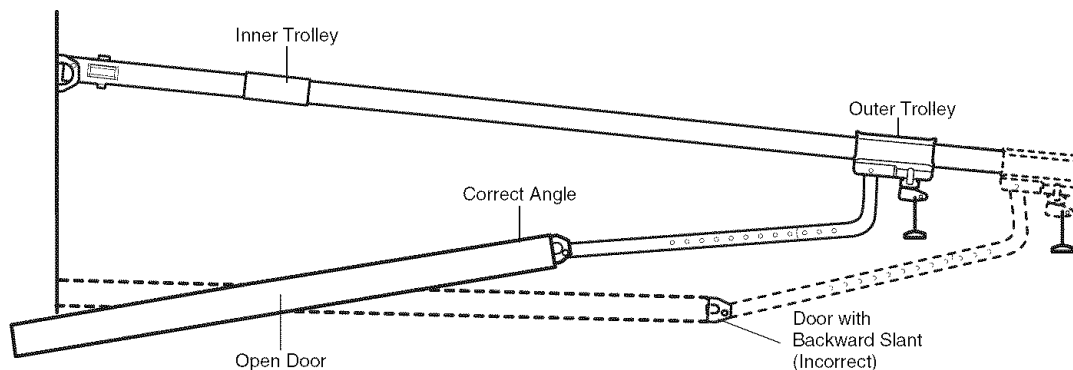
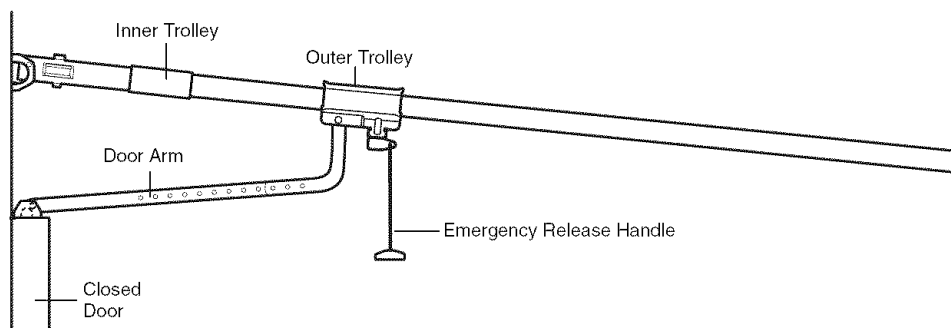
### 1. Assemble the Door Arm:

- Fasten the straight and curved door arm sections together to the longest possible length (with a 2 or 3 hole overlap).
- Make sure the garage door is fully closed. Connect the straight door arm section to the door bracket with the 5/16"x1-1/4" clevis pin.
- Secure with a ring fastener.
- Pull the emergency release handle, disconnecting the outer trolley from the inner trolley by pulling straight down on the emergency release handle and sliding the outer trolley back toward the motor unit.
- Connect the curved door arm section to the trolley using the 5/16"x1-1/4" clevis pin and ring fastener.



### NOTE: Adjusting the limits on the following page:

- The trolley will automatically connect. If not, review the trolley lockout feature on page 32.
- When setting the up limit on the following page, the door should not have a "backward" slant when fully open as illustrated below. A slight backward slant will cause unnecessary bucking and/or jerking operation as the door is being opened or closed from the fully open position.

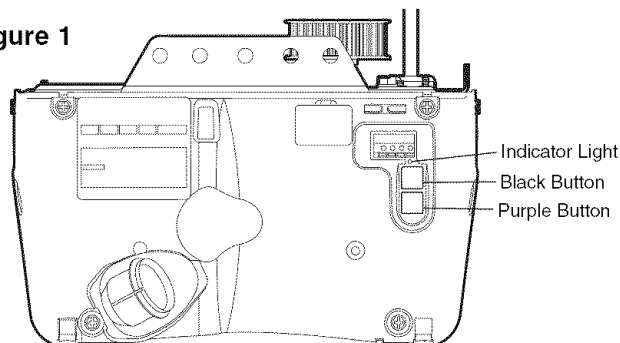


## ADJUSTMENT STEP 1

### Program the Travel Limits

Travel limits regulate the points at which the door will stop when moving up or down. Follow the steps below to set the limits.

Figure 1



#### To program the travel limits:

Adjust the position of the door by using the black and purple buttons. Black moves the door UP (open) and purple moves the door DOWN (close).

1. **Setting the UP position:** Press and hold the black button until the yellow indicator light starts flashing slowly then release.
2. Push and hold the black button until the door reaches the desired UP (open) position (Figure 2).

**NOTE:** Check to be sure the door opens high enough for your vehicle.

3. Push the remote control or door control (Figure 3). This sets the UP (open) limit and begins closing the door.

**NOTE:** Excessive movement of the motor unit will cause premature wear. See Troubleshooting section.

4. Immediately when the door begins to move down, press and release either the black or purple button. This will stop the door.
5. **Setting the DOWN position:** Push and hold the purple button until the door reaches the desired DOWN (closed) position (Figure 4).
6. Once the door is closed, if there appears to have too much pressure on the door, you may toggle the door back and forth using the black and purple buttons to reach the desired closed position.
7. Push the remote control or the door control (Figure 3). This sets the DOWN (close) limit and should bring the door to the open position.
  - If the opener is not stopping exactly where you would like it, repeat steps 1 through 8 and program the limits again.
  - When the unit stops in both the desired up (open) and down (close) positions, proceed to *Adjustment Step 2, Setting the Force*.

## WARNING

Without a properly installed safety reversal system, persons (particularly small children) could be SERIOUSLY INJURED or KILLED by a closing garage door.

- Incorrect adjustment of garage door travel limits will interfere with proper operation of safety reversal system.
- NEVER use force adjustments to compensate for a binding or sticking garage door.
- After ANY adjustments are made, the safety reversal system MUST be tested. Door MUST reverse on contact with 1-1/2" (3.8 cm) high object (or 2x4 laid flat) on floor.

## CAUTION

To prevent damage to vehicles, be sure fully open door provides adequate clearance.

Figure 2

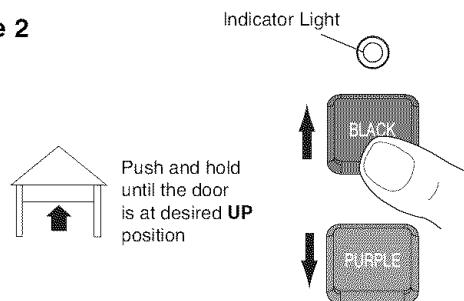


Figure 3

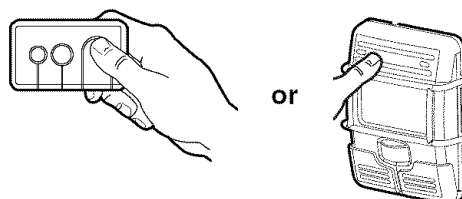
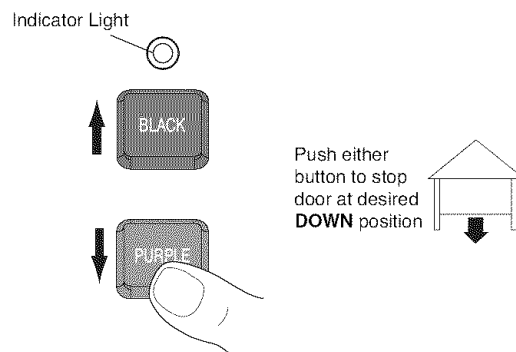


Figure 4



## ADJUSTMENT STEP 2

### Setting the Force

The force setting button is located on the left panel of the motor unit. The force setting measures the amount of force required to open and close the door.

1. Locate the purple button on the left panel of the motor unit (Figure 1).
2. Push the purple button twice to enter the opener into Force Adjustment Mode (Figure 2). The LED (Indicator Light) will flash quickly.
3. Push the remote control or control console (Figure 3). The door will travel to the DOWN (close) position. Push the remote control or control console again, the door will travel to the UP (open) position. Push the remote control or control console a third time to send the door to the DOWN (close) position.

The LED (Indicator Light) will stop flashing when the force has been learned.

The opener has learned the forces required to open and close your door.

The door must travel through a complete cycle, UP and DOWN, in order for the force to be set properly. If the opener cannot open and close your door fully, inspect your door to insure that it is balanced properly and is not sticking or binding. See page 3, "Preparing your garage door."

## ⚠ WARNING

Without a properly installed safety reversal system, persons (particularly small children) could be SERIOUSLY INJURED or KILLED by a closing garage door.

- Too much force on garage door will interfere with proper operation of safety reversal system.
- NEVER use force adjustments to compensate for a binding or sticking garage door.
- After ANY adjustments are made, the safety reversal system MUST be tested. Door MUST reverse on contact with 1-1/2" (3.8 cm) high object (or 2x4 laid flat) on floor.

Figure 1

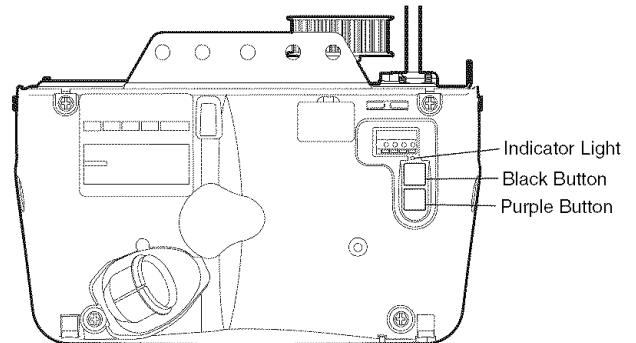


Figure 2

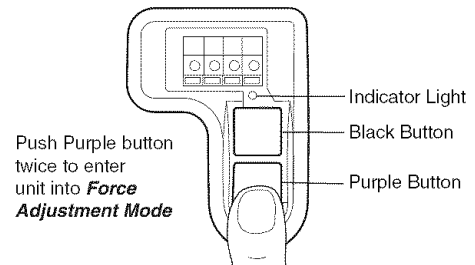
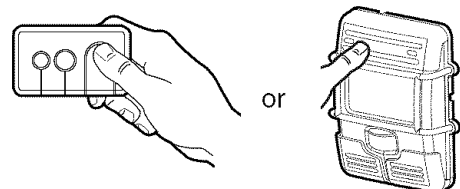


Figure 3



## ADJUSTMENT STEP 3

### Test the Safety Reversal System

#### TEST

- With the door fully open, place a 1-1/2" (3.8 cm) board (or a 2x4 laid flat) on the floor, centered under the garage door.
- Operate the door in the down direction. The door **must** reverse on striking the obstruction.

#### ADJUST

- If the door stops on the obstruction, it is not traveling far enough in the down direction. Complete Adjustment Steps 1 and 2.

**NOTE:** On a sectional door, make sure limit adjustments do not force the door arm beyond a straight up and down position. See Figure 3, page 25.

- Repeat the test.
- When the door reverses on the 1-1/2" (3.8 cm) board (or 2x4 laid flat), remove the obstruction and run the opener through 3 or 4 complete travel cycles to test adjustment.
- If the unit continues to fail the Safety Reverse Test, call for a trained door systems technician.

#### IMPORTANT SAFETY CHECK:

Test the Safety Reverse System after:

- Each adjustment of door arm length, limits, or force controls.
- Any repair to or adjustment of the garage door (including springs and hardware).
- Any repair to or buckling of the garage floor.
- Any repair to or adjustment of the opener.

## ADJUSTMENT STEP 4

### Test The Protector System® (Safety Sensors)

- Press the remote control push button to open the door.
- Place the opener carton in the path of the door.
- Press the remote control push button to close the door. The door will not move more than an inch (2.5 cm), and the opener lights will flash.

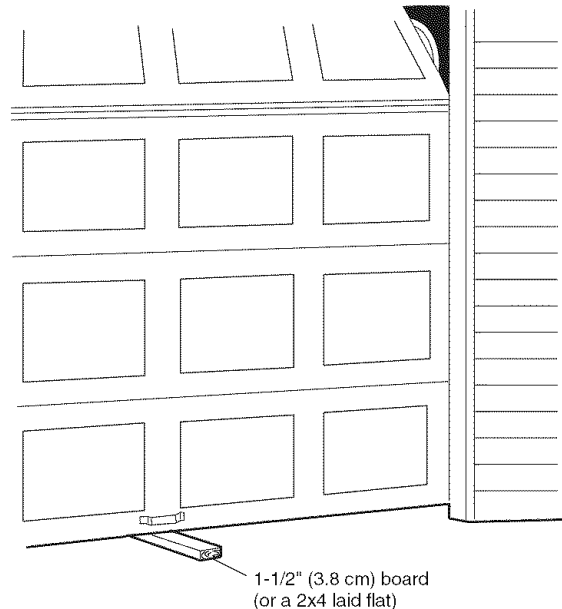
The garage door opener will not close from a remote if the indicator light in either sensor is off (alerting you to the fact that the sensor is misaligned or obstructed).

**If the opener closes the door when the safety reversing sensor is obstructed (and the sensors are no more than 6" (15 cm) above the floor), call for a trained door systems technician.**

## ⚠ WARNING

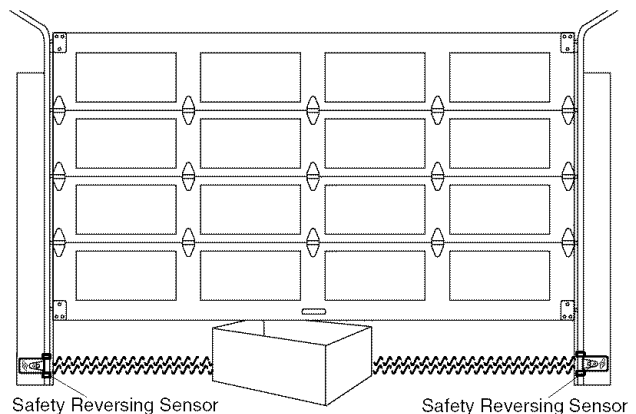
Without a properly installed safety reversal system, persons (particularly small children) could be **SERIOUSLY INJURED** or **KILLED** by a closing garage door.

- Safety reversal system **MUST** be tested every month.
- After **ANY** adjustments are made, the safety reversal system **MUST** be tested. Door **MUST** reverse on contact with 1-1/2" high (3.8 cm) object (or 2x4 laid flat) on the floor.



## ⚠ WARNING

Without a properly installed safety reversing sensor, persons (particularly small children) could be **SERIOUSLY INJURED** or **KILLED** by a closing garage door.



## OPERATION

# IMPORTANT SAFETY INSTRUCTIONS

## **WARNING**

### To reduce the risk of SEVERE INJURY or DEATH:

1. READ AND FOLLOW ALL WARNINGS AND INSTRUCTIONS.
2. ALWAYS keep remote controls out of reach of children. NEVER permit children to operate or play with garage control console push buttons or remote controls.
3. ONLY activate garage door when it can be seen clearly, it is properly adjusted, and there are no obstructions to door travel.
4. ALWAYS keep garage door in sight until completely closed. NO ONE SHOULD CROSS THE PATH OF THE MOVING DOOR.
5. NO ONE SHOULD GO UNDER A STOPPED, PARTIALLY OPEN DOOR.
6. If possible, use emergency release handle to disengage trolley ONLY when garage door is CLOSED. Weak or broken springs or unbalanced door could result in an open door falling rapidly and/or unexpectedly.
7. NEVER use emergency release handle unless garage doorway is clear of persons and obstructions.
8. NEVER use handle to pull garage door open or closed. If rope knot becomes untied, you could fall.
9. If one control (force or travel limits) is adjusted, the other control may also need adjustment.
10. After ANY adjustments are made, the safety reversal system MUST be tested.
11. Safety reversal system MUST be tested every month. Garage door MUST reverse on contact with 1-1/2" high (3.8 cm) high object (or a 2x4 laid flat) on the floor.
12. ALWAYS KEEP GARAGE DOOR PROPERLY BALANCED (see page 3). An improperly balanced door may not reverse when required and could result in SEVERE INJURY or DEATH.
13. ALL repairs to cables, spring assemblies and other hardware, all of which are under EXTREME tension, MUST be made by a trained door systems technician.
14. To avoid SERIOUS PERSONAL INJURY or DEATH from electrocution, disconnect ALL electric and battery power BEFORE performing ANY service or maintenance.
15. **SAVE THESE INSTRUCTIONS.**

### Using Your Garage Door Opener

Your Security+® opener and hand-held remote control have been factory-set to a matching code which changes with each use, randomly accessing over 100 billion new codes. Your opener will operate with up to ten Security+® remote controls, one Security+® Keyless Entry System, and one accessory wall control. If you purchase a new remote, or if you wish to deactivate any remote, follow the instructions in the *Programming* section.

#### Activate your opener with any of the following:

- *The hand-held Remote Control:* Hold the large push button down until the door starts to move.
- *The wall-mounted control console:* Hold the push button or bar down until the door starts to move.
- *The Keyless Entry (see Accessories):* If provided with your garage door opener, it must be programmed before use. See *Programming*.

#### When the opener is activated (with the safety reversing sensor correctly installed and aligned)

1. If open, the door will close. If closed, it will open.
2. If closing, the door will reverse.
3. If opening, the door will stop.
4. If the door has been stopped in a partially open position, it will close.
5. If obstructed while closing, the door will reverse. If the obstruction interrupts the sensor beam, the opener lights will blink for five seconds.

6. If obstructed while opening, the door will stop.
7. If fully open, the door will not close when the beam is broken. The sensor has no effect in the opening cycle.

If the sensor is not installed, or is misaligned, the door won't close from a hand-held remote. However, you can close the door with the control console, the Outdoor Key Switch, or Keyless Entry, *if you activate them until down travel is complete*. If you release them too soon, the door will reverse.

**The opener lights** will turn on under the following conditions: when the opener is initially plugged in; when power is restored after interruption; when the opener is activated.

They will turn off automatically after 4-1/2 minutes or provide constant light when the Light feature on the Control Console is activated. Bulb size is 100 watts maximum.

**Security+® light feature:** Lights will also turn on when someone walks through the open garage door. With a Motion Detecting Control Console, this feature may be turned off as follows: With the opener lights off, press and hold the light button for 10 seconds, until the light goes on, then off again. To restore this feature, start with the opener lights on, then press and hold the light button for 10 seconds until the light goes off, then on again.

## Using the Wall-Mounted Control Console

### THE MOTION DETECTING CONTROL CONSOLE

Press the push button to open or close the door. Press again to reverse the door during the closing cycle or to stop the door while it's opening.

This control console contains a motion detector that will automatically turn on the light when it detects a person entering the garage. This feature can be easily turned off for extended work light use.

#### Light Feature

Press the Light button to turn the opener light on or off. It will not control the opener lights when the door is in motion. If you turn it on and then activate the opener, the light will remain on for 4-1/2 minutes. Press again to turn it off sooner. The 4-1/2 minute interval can be changed to 1-1/2, 2-1/2, or 3-1/2 minutes as follows: Press and hold the Lock button until the light blinks (about 10 seconds). A single blink indicates that the timer is reset to 1-1/2 minutes. Repeat the procedure and the light will blink twice, resetting the timer to 2-1/2 minutes. Repeat again for a 3-1/2 minute interval, etc., up to a maximum of four blinks and 4-1/2 minutes.

When using the opener lights as working lights, we recommend that you first disable the motion sensor.

**Motion Detecting Light Feature:** The opener light will turn on automatically when a person walks in front of the wall-mounted control console. This feature works by detecting motion and body heat and may not work in temperatures around 100°F, 37.7°C. The opener light will come on for 5 minutes, then shut off automatically if no additional motion or heat differential is calculated.

To disable this feature, press the Automatic Light On/Off button on the left side of the control console.

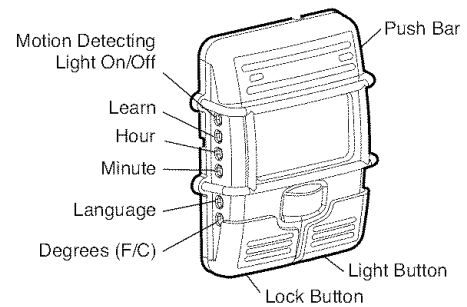
We recommend that you disable the motion sensor when using the opener lights as working lights. Otherwise, they will turn off automatically if you are working beyond the sensor's range.

#### Lock Feature

Designed to prevent operation of the door from hand-held remote controls. However, the door will open and close from the control console, the Outside Keylock and the Keyless Entry Accessories.

To activate, press and hold the Lock button for 2 seconds. The push bar light will flash as long as the Lock feature is on.

To turn off, press and hold the Lock button again for 2 seconds. The push bar light will stop flashing. The Lock feature will also turn off whenever the "learn" button is activated.



#### Learn Feature

The control console is equipped with a LEARN button to assist in learning remote controls to the unit. Press the LEARN button once to initiate LEARN mode and the display will show 'Learn Remote Control - Press Learn Button Again to Confirm.' Press the LEARN button a second time and the display will show 'Learn Mode - Press Remote Control Button to Learn Remote.' Press the button of the remote control to be learned and the worklight will blink to confirm the remote control has been learned.

#### Hour and Minute Feature

Press or hold either of these side buttons to increment the hour or minute displayed on the LCD display.

#### Language Feature

Press this side button to toggle between the three languages - English, Spanish, and French.

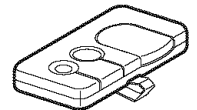
#### Degrees F/C Feature

Press this side button to toggle the temperature units between Fahrenheit and Celsius.

#### Additional feature when used with the 3-Function hand-held remote

To control the opener lights:

1. With the door closed, press and hold a small remote button that you want to control the light.
2. Press and hold the Light button on the control console.
3. While holding the Light button, press and hold the Lock button on the control console.
4. After the opener lights flash, release all buttons.



## Care of Your Opener

### MAINTENANCE SCHEDULE

#### Once a Month

- Manually operate door. If it is unbalanced or binding, call a trained door systems technician.
- Check to be sure door opens and closes fully. Adjust limits and/or force if necessary (see pages 27 and 28).
- Repeat the safety reverse test. Make any necessary adjustments (See Adjustment Step 3).

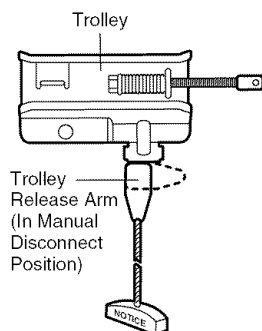
#### Once a Year

- Oil door rollers, bearings and hinges. The opener does not require additional lubrication. Do not grease the door tracks.

## To Open the Door Manually

### DISCONNECT THE TROLLEY:

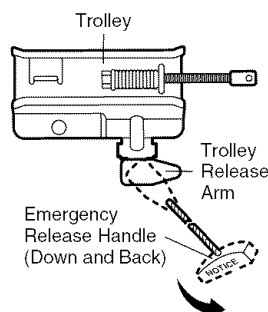
The door should be fully closed if possible. Pull down on the emergency release handle (so that the trolley release arm snaps into a vertical position) and lift the door manually. The *lockout feature* prevents the trolley from reconnecting automatically, and the door can be raised and lowered manually as often as necessary.



Lockout position  
(Manual disconnect)

### TO RE-CONNECT THE TROLLEY:

Pull the emergency release handle toward the opener at an angle so that the trolley release arm is horizontal. The trolley will reconnect on the next UP or DOWN operation, either manually or by using the control console or remote.



To reconnect

## THE REMOTE CONTROL BATTERY

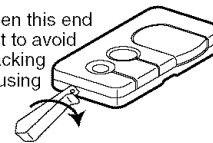
### ⚠ WARNING

To prevent possible **SERIOUS INJURY** or **DEATH**:

- **NEVER** allow small children near batteries.
- If battery is swallowed, immediately notify doctor.

The lithium battery should produce power for up to 5 years. To replace battery, use the visor clip or screwdriver blade to pry open the case as shown. Insert battery positive side up (+).

Open this end first to avoid cracking housing



Dispose of old battery properly.

**NOTICE:** To comply with FCC and or Industry Canada rules (IC), adjustment or modifications of this receiver and/or transmitter are prohibited, except for changing the code setting or replacing the battery. **THERE ARE NO OTHER USER SERVICEABLE PARTS.**

Tested to Comply with FCC Standards FOR HOME OR OFFICE USE. Operation is subject to the following two conditions: (1) this device may not cause harmful interference, and (2) this device must accept any interference received, including interference that may cause undesired operation.

### ⚠ WARNING

To prevent possible **SERIOUS INJURY** or **DEATH** from a falling garage door:

- If possible, use emergency release handle to disengage trolley **ONLY** when garage door is **CLOSED**. Weak or broken springs or unbalanced door could result in an open door falling rapidly and/or unexpectedly.
- **NEVER** use emergency release handle unless garage doorway is clear of persons and obstructions.
- **NEVER** use handle to pull door open or closed. If rope knot becomes untied, you could fall.



## Battery Backup

### OPERATING INSTRUCTIONS

#### 1. Test the installed battery with the motor unit.

To test the battery, disconnect the motor unit power cord from the electrical outlet.

- A solid orange LED indicates the battery is operating on battery power.
- A flashing orange LED with beep indicates the unit is operating on battery power and that the battery charge is low.
- To test the battery is functioning properly, open and close the garage door.
- Re-connect the motor unit power cord back into the electrical outlet.
- Verify that the green LED is flashing on the BBU (indicates that the battery is now charging).
- Test completed.

#### 2. Charge the battery.

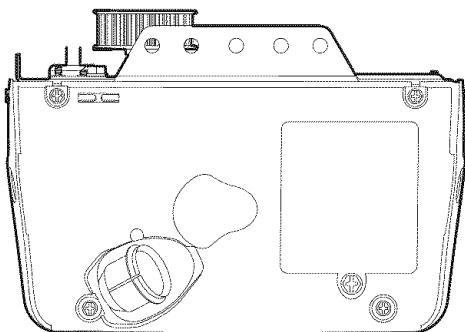
- Battery will take 24 to 48 hours to fully charge.

A fully charged battery supplies 12V DC to the motor unit for one to two days of normal operation during an electrical power outage. If the battery voltage drops too low, the batteries will disconnect and the motor unit will no longer operate under battery power.

After the electrical power has been restored, the battery will recharge within 48 hours. Under normal usage batteries will last 3 to 5 years.

**To obtain maximum battery life and prevent damage, disconnect the battery when the motor unit is unplugged for an extended period of time.**

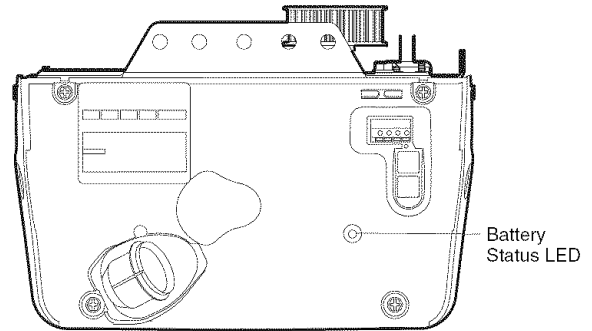
**NOTE:** Door operation may be limited until battery is fully charged. The motor unit's lights will not turn on during battery mode.



## WARNING

To reduce the risk of FIRE or INJURY to persons:

- Disconnect ALL electric and battery power BEFORE performing ANY service or maintenance.
- Use only Craftsman part #41A822 for replacement battery.
- Do NOT dispose of battery in fire. Battery may explode. Check with local codes for disposal instructions.



**NOTE:** LED is most visible with worklight off.

#### GREEN LED:

*All systems are normal.*

- A solid LED light indicates the battery is fully charged.
- A flashing LED indicates the battery is being charged.

**NOTE:** Battery does not have to be fully charged to operate the motor unit.

#### ORANGE LED:

*The motor unit has lost power and is operating off of the battery.*

- A solid LED with beep, sounding approximately every 2 seconds, indicates the motor unit is activating the door and is operating off of the battery.
- A flashing LED with beep, sounding every 30 seconds, indicates battery is low.
- Once the power is restored the battery will recharge. This is indicated by a flashing green LED.

#### RED LED:

- If a red LED remains on when the power is restored, and is accompanied by a beep sounding every 30 seconds, please call for service.
- To obtain maximum battery life and prevent damage, also disconnect the battery if you unplug the motor unit while on vacation or any other extended period of time.

## Having a Problem (Troubleshooting)

**NOTE:** Always unplug battery prior to troubleshooting.

**1. My door will not close and the light bulbs blink on my motor unit:** The safety reversing sensor must be connected and aligned correctly before the garage door opener will move in the down direction.

- Verify the safety reversing sensors are properly installed, aligned and free of any obstructions. Refer to *Installation Step 11: Install The Protector System®*.
- Check diagnostic LED for flashes on the motor unit then refer to the *Diagnostic Chart* on the following page.

**2. My remotes will not activate the door:**

- Verify your Motion Detecting Control Console does not display "Lock Mode." If it does, deactivate the Lock Mode following the instructions for *Using the Motion Detecting Control Console*.
- Reprogram remotes following the programming instructions. Refer to *Programming*.
- If remote will still not activate your door, check diagnostic LED for flashes on motor unit then refer to *Diagnostic Chart* on the following page.

**3. My door reverses for no apparent reason:** Repeat safety reverse test after adjustments to force or travel limits. The need for occasional adjustment for the force and limit settings is normal. Weather conditions in particular can affect door travel.

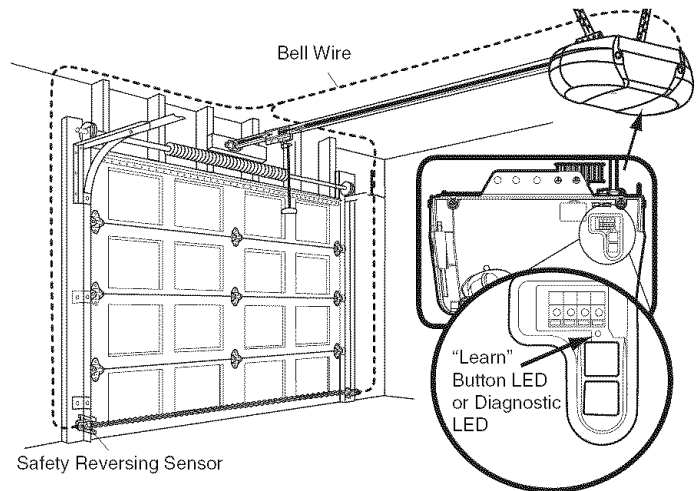
- Manually check door for balance or any binding problems.
- Refer to *Adjustment Step 2, Setting the Force*.

**4. My door reverses for no apparent reason after fully closing and touching the floor:** Repeat safety reverse test after adjustments to force or travel limits. The need for occasional adjustment for the force and limit settings is normal. Weather conditions in particular can affect door travel.

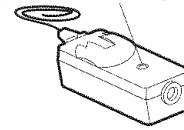
- Refer to *Adjustment Step 1, Program the Travel Limits*.

**5. My lights will not turn off when door is open:**

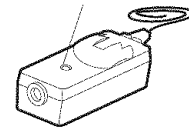
- The garage door opener is equipped with a security light feature. This feature activates the light on when the safety reversing sensor beam has been obstructed. Refer to Operation section; Using the *Wall Mounted control console, Light Feature*.



Sending Eye Safety Reversing Sensor (Amber Indicator Light)

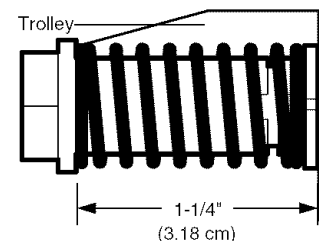


Receiving Eye Safety Reversing Sensor (Green Indicator Light)



**6. My motor unit hums briefly:**

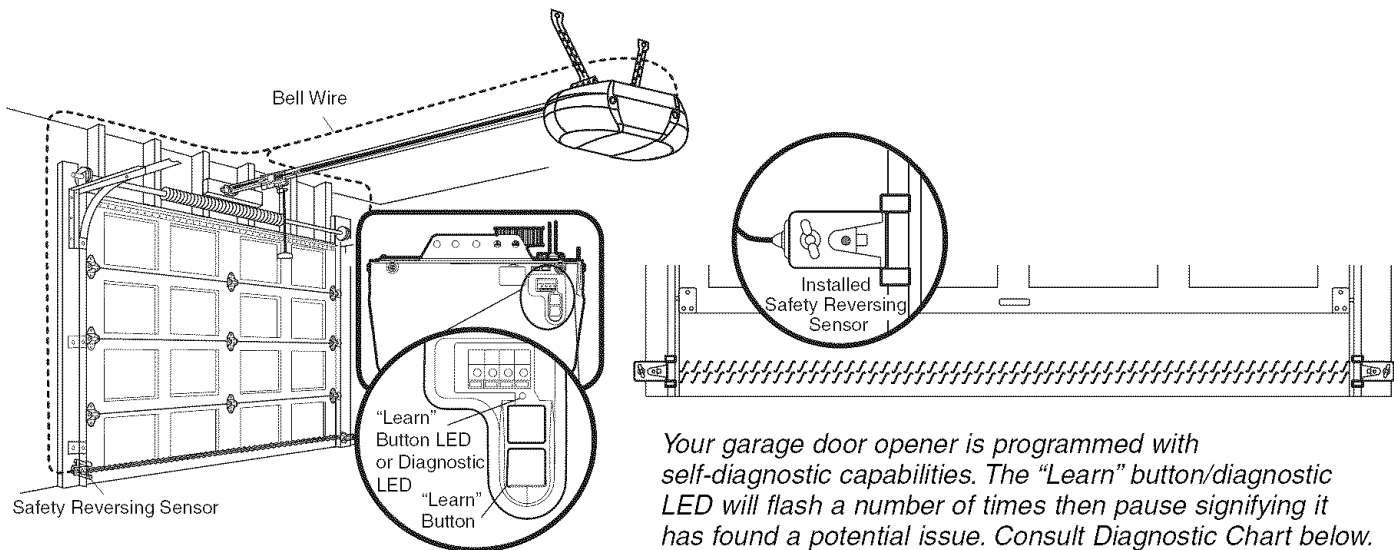
- First verify that the trolley is against the stop bolt.
- Release the door from the opener by pulling the Emergency Release Rope.
- Manually bring the door to a closed position.
- Loosen the belt by adjusting the *outer nut* 4 to 5 turns. This relieves the tension.
- Run the motor unit from the remote control or control console. The trolley should travel towards the door and stop. If the trolley re-engages with the door, pull the Emergency Release Rope to disengage.
- Decrease the UP travel.



- Re-Tighten the outer nut until the trolley spring is approximately 1-1/4" (3.18 cm) in length.
- If the trolley does not move away from the bolt, repeat the steps above.

**7. Battery status LED is not lit properly:**

- Check battery connections.



Your garage door opener is programmed with self-diagnostic capabilities. The "Learn" button/diagnostic LED will flash a number of times then pause signifying it has found a potential issue. Consult Diagnostic Chart below.

## Diagnostic Chart

### 1 FLASH

Safety reversing sensors wire open (broken or disconnected).

**OR**

### 2 FLASHES

Safety reversing sensors wire shorted or black/white wire reversed.

### 3 FLASHES

Control console or wire shorted.

### 4 FLASHES

Safety reversing sensors slightly misaligned (dim or flashing LED).

### 5 FLASHES

Possible RPM sensor failure. Unplug to reset.

● **Symptom: One or both of the Indicator lights on the safety reversing sensors do not glow steady.**

- Inspect sensor wires for a short (staple in wire), correct wiring polarity (black/white wires reversed), broken or disconnected wires, replace/attach as needed.
- Disconnect all wires from back of motor unit.
- Remove sensors from brackets and shorten sensor wires to 1-2 ft (30-60 cm) from back each of sensor.
- Reattach sending eye to motor unit using shortened wires. If sending eye indicator light glows steadily, attach the receiving eye.
- Align sensors, if the indicator lights glow replace the wires for the sensors. If the sensor indicator lights do not light, replace the safety reversing sensors.

● **Symptom: LED is not lit on control console.**

- Inspect control console/wires for a short (staple in wire), replace as needed.
- Disconnect wires at control console, touch wires together. If motor unit activates, replace control console.
- If motor unit does not activate, disconnect control console wires from motor unit. Momentarily short across red and white terminals with jumper wire. If motor unit activates, replace control console wires.

● **Symptom: Sending indicator light glows steadily, receiving indicator light is dim or flashing.**

- Realign receiving eye sensor, clean lens and secure brackets.
- Verify door track is firmly secured to wall and does not move.

● **Symptom: RPM Sensor = Short travel 6-8" (15-20 cm).**

- Unplug unit to reset. Try to operate motor unit, check diagnostic code.
- If it is still flashing 5 times and motor unit moves 6-8" (15-20 cm), replace RPM sensor.
- If motor unit doesn't operate, motor unit is overheated. Wait 30 minutes and retry. If motor unit still will not operate replace logic board.

## LCD Motion Detecting Control Console Messages

The following messages are contained within the LCD Motion Detecting Control Console and may appear during the operations of the unit:

<b>Message</b> SAFETY SENSORS CHECK ALIGNMENT, BLOCKAGE OR MISWIRING SEE OWNER'S MANUAL	<ul style="list-style-type: none"><li>● <b>Meaning:</b> This message will appear if the Safety Reversing Sensors are out of alignment, if they are blocked or if the wiring is disconnected. To clear message from Control Console do the following:<ul style="list-style-type: none"><li>• Check to see that area is clear between the Safety Reversing Sensors.</li><li>• Check to see that the Safety Reversing Sensors are not misaligned.</li><li>• Realign receiving eye sensor, clean lens and secure brackets.</li><li>• Verify door track is firmly secured to wall and does not move.</li><li>• Check to see that the Safety Reversing Sensors' wires are connected to the motor unit.</li><li>• If message has not cleared after the above checks, refer to message #2.</li></ul></li></ul>
<b>Message</b> SAFETY SENSORS MALFUNCTION CHECK MISWIRING SEE OWNER'S MANUAL	<ul style="list-style-type: none"><li>● <b>Meaning:</b> This message will appear if the Safety Reversing Sensors are miswired. To clear the message, do the following:<ul style="list-style-type: none"><li>• Inspect the safety reversing sensor wires for a short (staple in wire), correct wiring polarity (black/white wires reversed), replace/attach as needed.</li><li>• Disconnect all wires from back of motor unit.</li><li>• Remove safety reversing sensors from brackets and shorten sensor wires to 1-2 ft. (30-60 cm) from back of each sensor.</li><li>• Reattach sending eye to motor unit using shortened wires. If sending eye indicator light glows steadily, attach the receiving eye.</li><li>• Align sensors, if the indicator lights glow replace the wires for the sensors. If the sensor indicator lights do not light, replace the safety reversing sensors.</li></ul></li></ul>
<b>Message</b> LEARN REMOTE CONTROL PRESS LEARN BUTTON TO CONFIRM	<ul style="list-style-type: none"><li>● <b>Meaning:</b> This message will appear when the 'LEARN' button has been pressed on the Control Console. Pressing the 'LEARN' button again will allow the user to program an additional remote control to the opener.</li></ul>
<b>Message</b> LEARN MODE PRESS REMOTE CONTROL BUTTON TO PROGRAM REMOTE	<ul style="list-style-type: none"><li>● <b>Meaning:</b> This message will appear when the 'LEARN' button has been pressed a second time on the Control Console or anytime on the opener. The opener is ready to program another remote control by simply pressing the remote control button. Once the opener has 'LEARNED' the remote control, the worklight will blink one time.</li></ul>
<b>Message</b> LOCK MODE REMOTE CONTROL LOCKED OUT PRESS LOCK BUTTON TO ENABLE REMOTE	<ul style="list-style-type: none"><li>● <b>Meaning:</b> This message will appear when the 'LOCK' button has been pressed and held for more than one second. This feature will disable the opener from receiving remote control signals. To exit 'LOCK' mode, press and hold the button for more than one second.</li></ul>
<b>Message</b> ENGLISH, FRANÇAIS AND ESPAÑOL	<ul style="list-style-type: none"><li>● <b>Meaning:</b> This message will appear when the 'LANGUAGE' button has been pressed. Pressing the button will toggle to the next language.</li></ul>
<b>Message</b> MOTION SENSING ON MOTION SENSING OFF	<ul style="list-style-type: none"><li>● <b>Meaning:</b> This message will appear when the Motion Sensing button is pressed. The motion detector will toggle on or off with each press of the button.</li></ul>

# PROGRAMMING

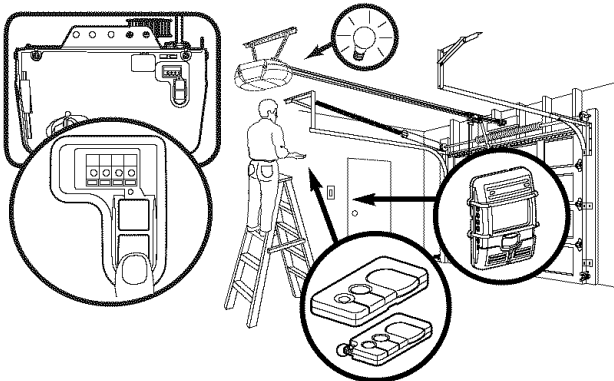
**NOTICE:** If this Security+® garage door opener is operated with a non-rolling code transmitter, the technical measure in the receiver of the garage door opener, which provides security against code-theft devices, will be circumvented. The owner of the copyright in the garage door opener does not authorize the purchaser or supplier of the non-rolling code transmitter to circumvent that technical measure.

Your garage door opener has already been programmed at the factory to operate with your hand-held remote control. The door will open and close when you press the large push button.

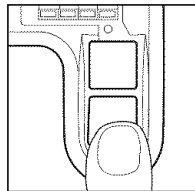
Below are instructions for programming your opener to operate with additional Security+® remote controls.

## To Add or Reprogram a Hand-held Remote Control

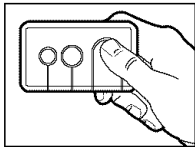
### USING THE "LEARN" BUTTON



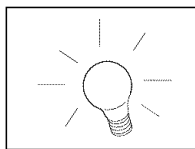
1. Press and release the "learn" button on the motor unit. The learn indicator light will glow steadily for 30 seconds.



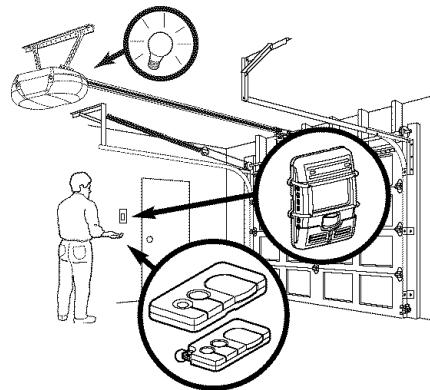
2. Within 30 seconds, press and hold the button on the hand-held remote\* that you wish to operate your garage door.



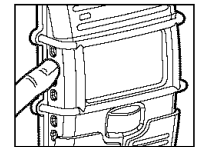
3. Release the button when the motor unit lights blink. It has learned the code. If light bulbs are not installed, two clicks will be heard.



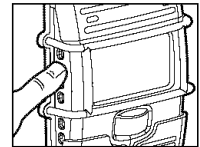
### USING THE MOTION DETECTING CONTROL CONSOLE



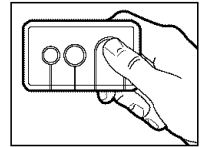
1. Press the Learn button on the Motion Detecting Control Console.



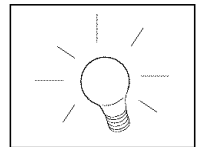
2. Press the Learn button again to confirm Learn Mode.



3. Press the button on the hand-held remote\* that you wish to operate your garage door.



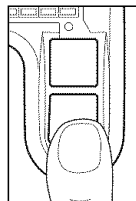
4. When the motor unit lights blink, it has learned the code. If light bulbs are not installed, two clicks will be heard.



### To Erase All Codes From Motor Unit Memory

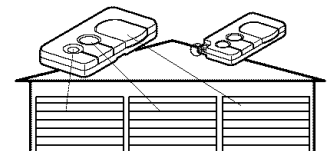
To deactivate any unwanted remote, first erase all codes:

Press and hold the purple "learn" button on motor unit until the learn indicator light goes out (approximately 6 seconds). All previous codes are now erased. Reprogram each remote or keyless entry you wish to use.



### \*3-Function Remotes

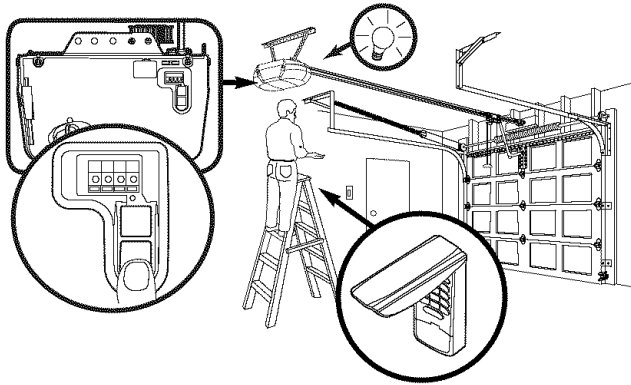
If provided with your garage door opener, the large button is factory programmed to operate it. Additional buttons on any Security+® 3-Function remote or compact remote can be programmed to operate other Security+® garage door openers.



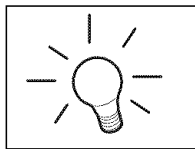
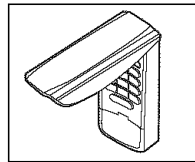
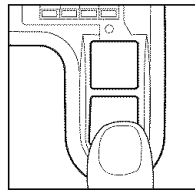
## To Add, Reprogram or Change a Keyless Entry PIN

**NOTE:** Your new Keyless Entry must be programmed to operate your garage door opener.

### USING THE "LEARN" BUTTON



1. Press and release the "learn" button on motor unit. The learn indicator light will glow steadily for 30 seconds.
2. Within 30 seconds, enter a four digit personal identification number (PIN) of your choice on the keypad. Then press and hold the ENTER button.
3. Release the button when the motor unit lights blink. It has learned the code. If light bulbs are not installed, two clicks will be heard.



### To change an existing, known PIN

If the existing PIN is known, it may be changed by one person without using a ladder.

1. Press the four buttons for the present PIN, then press and hold the # button.

The opener light will blink twice. Release the # button.

2. Press the new 4-digit PIN you have chosen, then press ENTER.

The motor unit lights will blink once when the PIN has been learned.

Test by pressing the new PIN, then press ENTER. The door should move.

### To set a temporary PIN

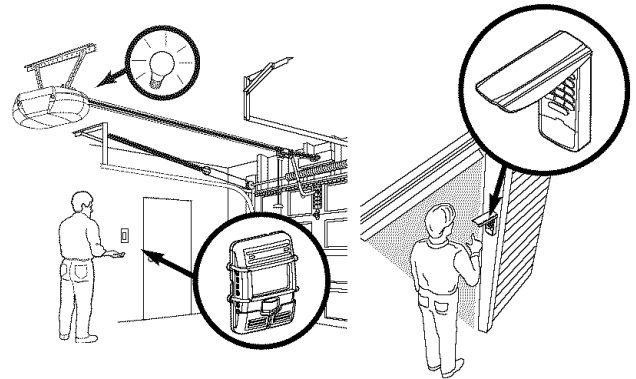
You may authorize access by visitors or service people with a temporary 4-digit PIN. After a programmed number of hours or number of accesses, this temporary PIN expires and will no longer open the door. It can be used to *close* the door even after it has expired. To set a temporary PIN:

1. Press the four buttons for your personal entry PIN (not the last temporary PIN), then press and hold the \* button.

The opener light will blink three times. Release the button.

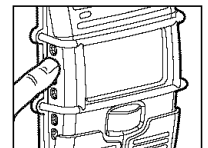
**One Button Close:** Opener can be closed by pressing only the ENTER button if the one button close feature has been activated. This feature has been activated at the factory. To activate or deactivate this feature press and hold buttons 1 and 9 for 10 seconds. The keypad will blink twice when the one button close is active. The keypad will blink four times when one button close is deactivated.

### USING THE MOTION DETECTING CONTROL CONSOLE

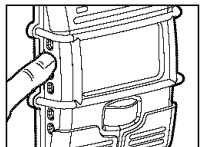


**NOTE:** This method requires two people if the Keyless Entry is already mounted outside the garage.

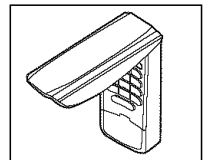
1. Press the Learn button on the Motion Detecting Control Console.



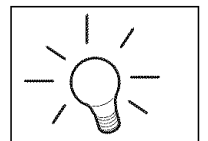
2. Press the Learn button again to confirm Learn Mode.



3. Enter a four digit personal identification number (PIN) of your choice on the keypad. Then press ENTER.



4. When the motor unit lights blink, it has learned the code. If light bulbs are not installed, two clicks will be heard.



2. Press the temporary 4-digit PIN you have chosen, then press ENTER.

The opener light will blink four times.

3. To set the number of **hours** this temporary PIN will work, press the number of hours (up to 255), then press \*.

**OR**

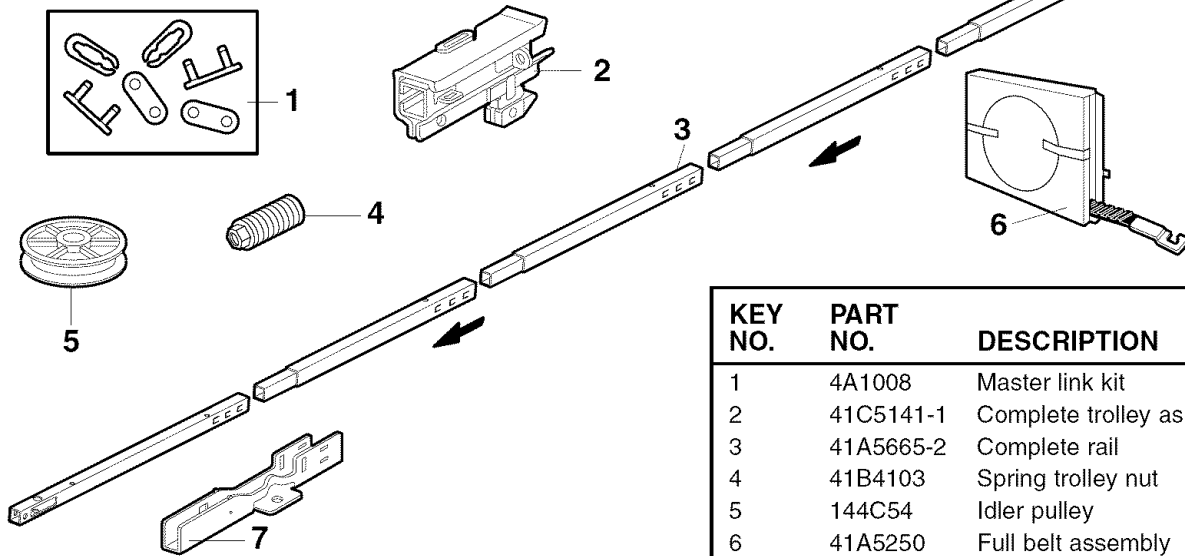
3. To set the number of **times** this temporary PIN will work, press the number of times (up to 255), then press #.

The opener light will blink once when the temporary PIN has been learned.

Test by pressing the four buttons for the temporary PIN, then press ENTER. The door should move. If the temporary PIN was set to a certain number of openings, remember that the test has used up one opening. To clear the temporary password, repeat steps 1-3, setting the number of hours or times to 0 in step 3.

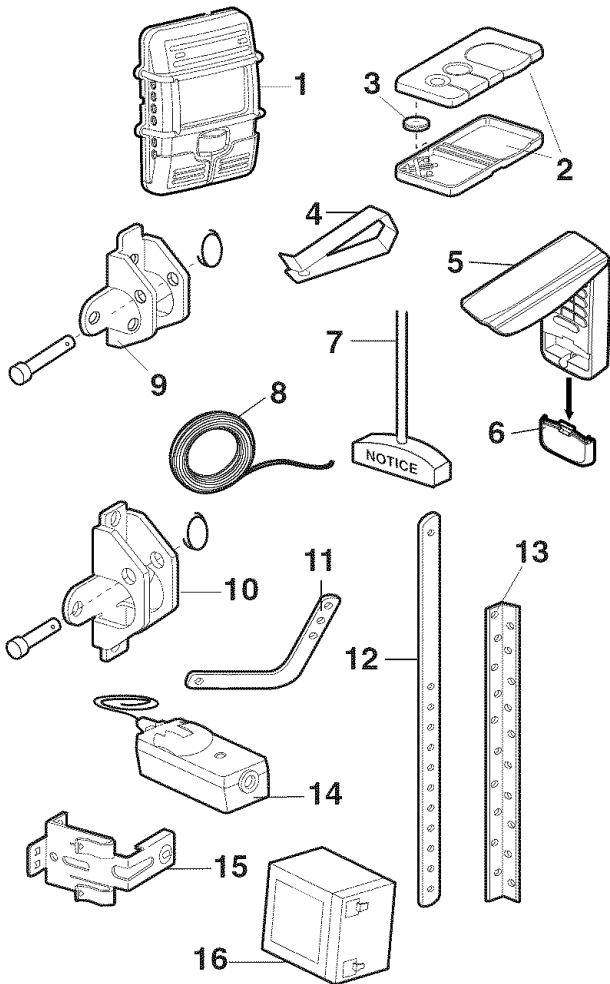
# REPAIR PARTS

## Rail Assembly Parts



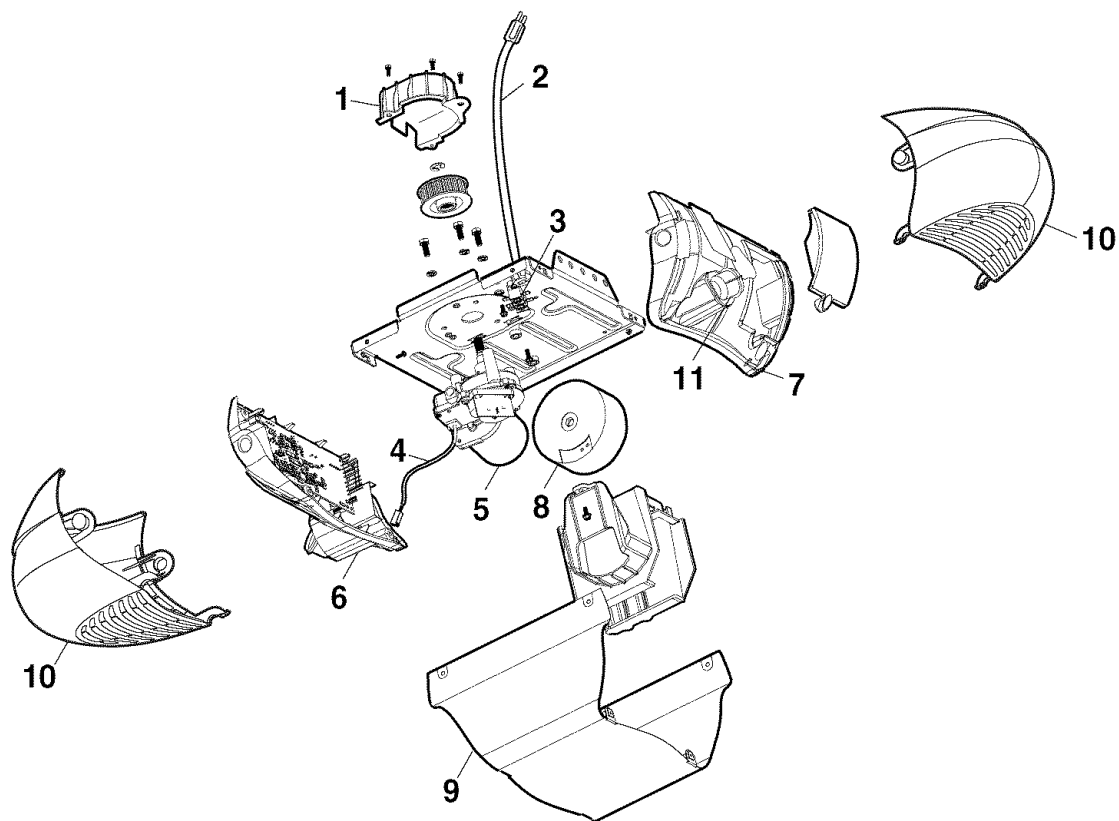
KEY NO.	PART NO.	DESCRIPTION
1	4A1008	Master link kit
2	41C5141-1	Complete trolley assembly
3	41A5665-2	Complete rail
4	41B4103	Spring trolley nut
5	144C54	Idler pulley
6	41A5250	Full belt assembly
7	12D598-1	"U" bracket
		<b>NOT SHOWN</b>
	183A163	Wear pads

## Installation Parts



KEY NO.	PART NO.	DESCRIPTION
1	41A6317	Motion detecting control console (LCD)
2	41A6140-1	3-Function remote control case (no circuit board)
3	10A20	3V 2032 Lithium battery
4	29B137	Visor clip
5	41D543-1	Keyless entry keypad cover
6	41D541	Keyless entry battery cover
7	41A2828	Emergency release rope and handle assembly
8	41B4494-1	2-Conductor bell wire: white and white/red
9	41A5047-3	Header bracket with clevis pin and fastener
10	41A5047-1	Door bracket with clevis pin and fastener
11	178B35	Curved door arm section
12	178B34	Straight door arm section
13	12B776	Hanging bracket
14	41A5034	Safety reversing sensor kit (receiving and sending eyes) with 3' (.9 m) 2-conductor bell wire attached
15	41A5266-1	Safety reversing sensor bracket
16	41A822	Battery
		<b>NOT SHOWN</b>
	41A5257-5	Installation hardware bag (includes hardware listed on page 7)
	114A3280	Owner's manual

## Motor Unit Assembly Parts



KEY NO.	PART NO.	DESCRIPTION	KEY NO.	PART NO.	DESCRIPTION
1	41C76	Belt cap and sprocket	7	41A6268	End panel with battery door and screw
2	41B4245	Line cord	8	41C190	Transformer and harness
3	41B4375-3	Terminal block with screws	9	41D503-2	Cover
4	41A6281	Wire harness kit <b>Complete with:</b>	10	108D77	Light lens
	41A6282	Battery wires and plug	11	175B88	Light socket
	41A6327	Light socket wires and plug			<b>NOT SHOWN</b>
	41A6328	RPM/passpoint wires with plug			Battery kit
5	41D794	Motor with positioning sensor			
6	41DB102-2	Receiver logic assembly		41A822	Battery kit



## CONTENIDO

<b>Introducción</b>	<b>2-7</b>	<b>Ajustes</b>	<b>27-29</b>
Revisión de los símbolos y términos de seguridad	2	Ajuste el límite del recorrido	27
Preparación de la puerta de su cochera	3	Ajuste la fuerza	28
Herramientas necesarias	3	Pruebe el sistema de retroceso de seguridad	29
Planificación	4-5	Pruebe La Sistema de Protección®	29
Inventario de la caja de cartón	6	<b>Operación</b>	<b>30-36</b>
Inventario de piezas	7	Instrucciones importantes de seguridad	30
<b>Montaje</b>	<b>8-11</b>	Cómo usar su abridor de puerta de cochera	30
Monte el riel y instale el trole	8	Cómo usar la consola de control de pared	31
Fije el riel a la unidad del motor	9	Mantenimiento de su abridor de puerta de cochera	32
Instale la polea loca	9	Cómo abrir la puerta manualmente	32
Instale la banda y sujete el retén de la cubierta de la banda	10	Reserva de batería	33
Fije la tensión de la banda	11	Si tiene algún problema (Diagnóstico de fallas)	34
<b>Instalación</b>	<b>11-26</b>	Tabla de diagnóstico	35
Instrucciones importantes para la instalación	11	Mensajes de la consola de control de detección de movimiento de la LCD	36
Determine dónde va a instalar la ménsula del cabezal	12	<b>Cómo Programar el Abridor</b>	<b>37-38</b>
Instale la ménsula del cabezal	13	Cómo agregar o reprogramar un control remoto manual	37
Coloque el riel en la ménsula del cabezal	14	Para borrar todos los códigos de la memoria de la unidad la motor	37
Coloque el abridor en posición	15	Controles remotos de 3 funciones	37
Cuelgue el abridor	16	Cómo agregar, reprogramar o cambiar un código de entrada sin llave	38
Instale la consola de control	17	<b>Accesorios</b>	<b>39</b>
Instale la batería	18	<b>Garantía</b>	<b>39</b>
Instale las luces	18	<b>Números de Servicio</b>	<b>Contratapa</b>
Instale la manija y la cuerda de emergencia	18		
Requisitos para la instalación eléctrica	19		
Instale La Sistema de Protección®	20-22		
Fije la ménsula de la puerta	23-24		
Conecte el brazo de la puerta al trole	25-26		

## INTRODUCCIÓN

### Revisión de los Símbolos y Términos de Seguridad

Este abridor de puerta de cochera ha sido diseñado y probado para un funcionamiento seguro, siempre y cuando se instale, se pruebe, se opere y se le dé mantenimiento como se indica en este manual, cumpliendo al pie de la letra con todas las advertencias e instrucciones generales aquí contenidas.

#### **ADVERTENCIA**

Mecánica

#### **ADVERTENCIA**

Eléctrica

#### **PRECAUCIÓN**

Estas advertencias y/o símbolos de seguridad que aparecen en este manual le alertarán de que existe el riesgo de **una lesión seria o de muerte** si no se siguen las instrucciones correspondientes. El peligro puede ser eléctrico (electrocución) o mecánico. Lea las instrucciones con mucho cuidado.

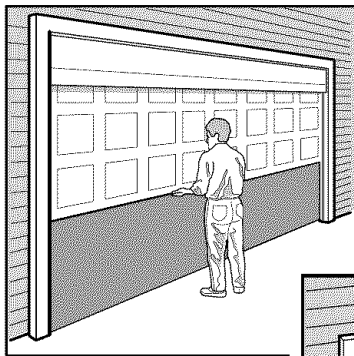
Cuando vea esta palabra y/o símbolo de seguridad en este manual, le alertará de que existe el riesgo de dañar la puerta de la cochera y/o el abridor si no se siguen las instrucciones correspondientes. Lea las instrucciones con mucho cuidado.

## Preparación de la puerta de su cochera

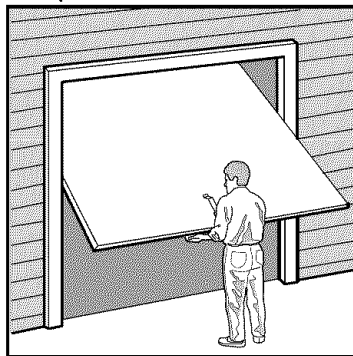
Antes de comenzar:

- Quite los seguros.
- Retire cualquier cuerda o cable que esté conectado a la puerta.
- **Haga la siguiente prueba** con su puerta para verificar que esté balanceada y que no se atore ni se pandee:
  1. Levante la puerta hasta la mitad de su recorrido como se muestra. Suelte la puerta. Si está balanceada, deberá mantenerse en esa posición con sólo el soporte de los resortes.
  2. Suba y baje la puerta; observe si se atora con algo o si se pandea.

Si su puerta se atora o se pandea, o no está balanceada llame a un técnico especializado en sistemas de puertas.



Puerta seccional



Puerta de una sola pieza

## ⚠️ ADVERTENCIA

Para evitar una LESIÓN GRAVE o INCLUSO LA MUERTE:

- SIEMPRE llame a un técnico profesional para que le dé servicio a su puerta de cochera si ésta se atora, se pandea o está desbalanceada. Una puerta de cochera que no esté bien balanceada puede que no retroceda como se requiere.
- NUNCA intente aflojar, mover ni ajustar la puerta de su cochera, los resortes de la puerta, los cables, las poleas, las ménsulas ni la tornillería, pues todos estos elementos están bajo tensión EXTREMA.
- Quite TODOS los seguros y retire TODAS las cuerdas conectadas a la puerta de cochera ANTES de instalar y operar el abridor de la puerta de cochera para evitar que se enreden.

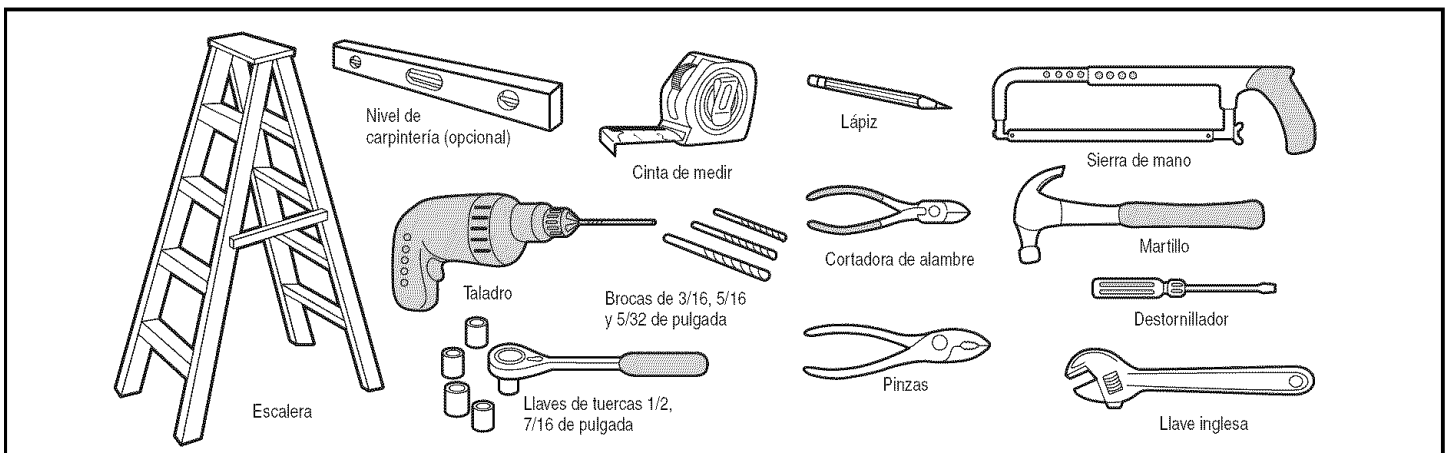
## PRECAUCIÓN

Para evitar que se dañen el puerta y el abridor:

- SIEMPRE quite los seguros ANTES de instalar y/o de operar el abridor.
- SOLAMENTE opere el abridor de puerta de cochera con corriente de 120V, 60Hz con objeto de evitar su mal funcionamiento y que el abridor se dañe.

## Herramientas necesarias

Durante el montaje, instalación y ajuste del abridor, las instrucciones le indicarán cómo usar las herramientas que aparecen en la siguiente ilustración.



## Planificación

Identifique la altura y el tipo de su puerta de cochera. Revise el área de su cochera y observe si alguna de las siguientes instalaciones corresponden a la suya. A veces se requieren materiales adicionales, así que tal vez sea conveniente tener esta hoja y las ilustraciones correspondientes a mano cuando inicie la instalación de su abridor.

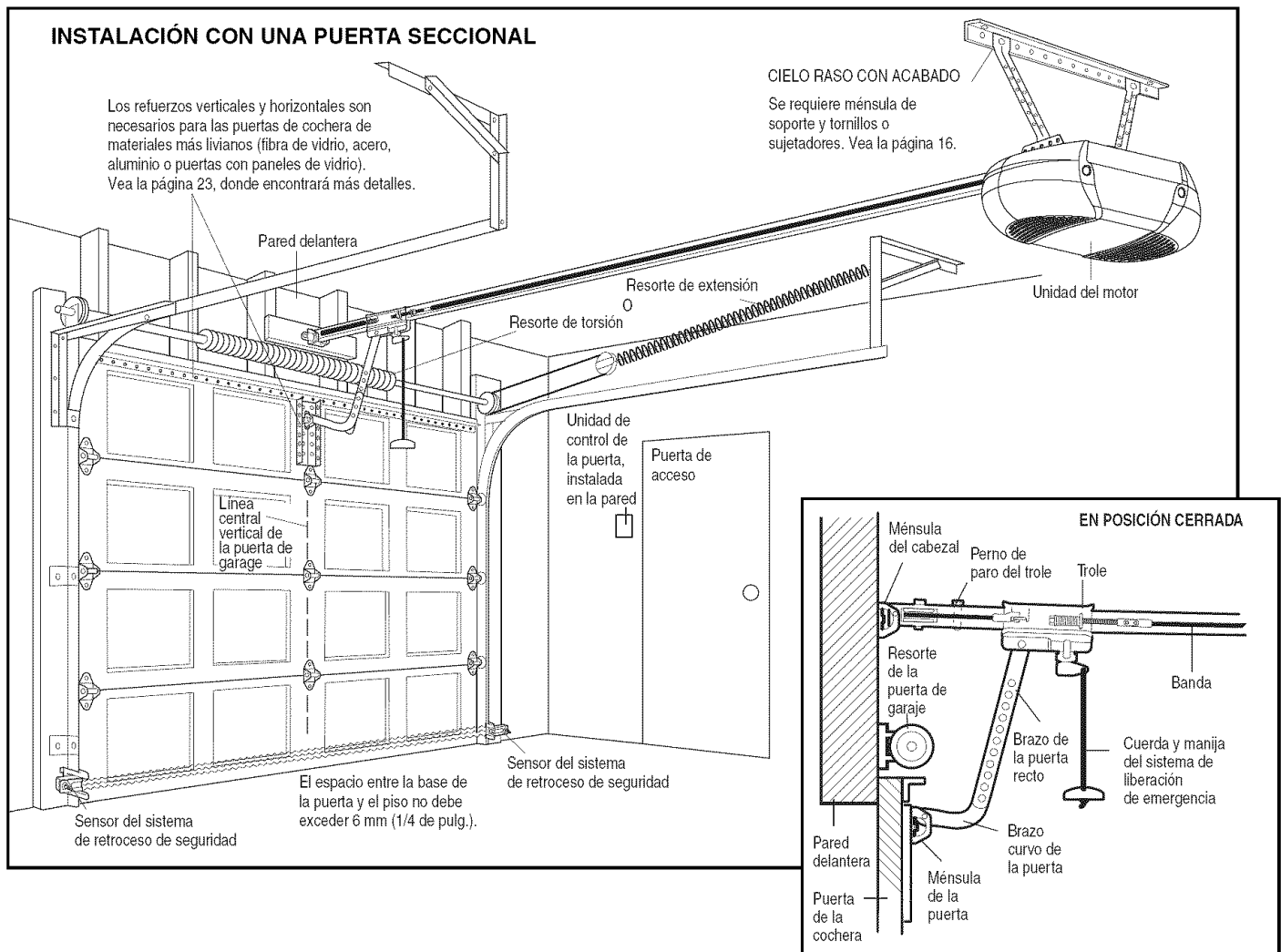
Dependiendo de sus necesidades individuales, es posible que en algunos casos vaya a necesitar materiales o herramientas que no se incluyen con este producto.

- Instalación Paso 1 – Observe la pared o el cielo raso justo por encima de la puerta de la cochera. La ménsula del cabezal debe estar firmemente sujeta a los soportes de la estructura.
- Instalación Paso 5 – Si el plafón o cielo raso de su cochera tiene acabado, es posible que necesite una ménsula de soporte y/o más pernos y tornillería para la instalación.
- Instalación Paso 11 – Dependiendo del tipo de construcción de su cochera, es posible que necesite ménsulas de extensión o bloques de madera para instalar los sensores.
- Instalación Paso 11 – El montaje en el piso del sensor que activa el sistema de retroceso de seguridad podría requerir piezas que no se incluyen.
- ¿Hay otra puerta que dé acceso a la cochera? Si no es así, será necesario contar con el sistema de llave de emergencia Modelo 139.53702. Vea la página de Accesorios.

- Observe el punto donde la puerta hace contacto con el piso. El espacio entre la base de la puerta y el piso no debe exceder 6 mm (1/4 de pulgada). Si no es así, se corre el riesgo de que el sistema de retroceso de emergencia no funcione correctamente. Vea Ajustes, Paso 3. Será necesario reparar ya sea el piso o la puerta.

## INSTALACIÓN CON UNA PUERTA SECCIONAL

- Si tiene una puerta de acero, aluminio, fibra de vidrio o con paneles de vidrio, necesitará refuerzos verticales y horizontales en la puerta. (Instalación, Paso 12.)
- El abridor se debe instalar por encima del centro de la puerta, pero si existe algún resorte de tensión o placa de apoyo en el paso de la ménsula del cabezal, se puede instalar hasta a 1.22 m (4 pies) a la derecha o a la izquierda del centro de la puerta. Vea Instalación, Pasos del 1 al 12.
- Si su puerta es de más de 2.13 m (7 pies) de altura, vea Extensiones de riel en la sección de Accesorios.



## Planificación (continúa)

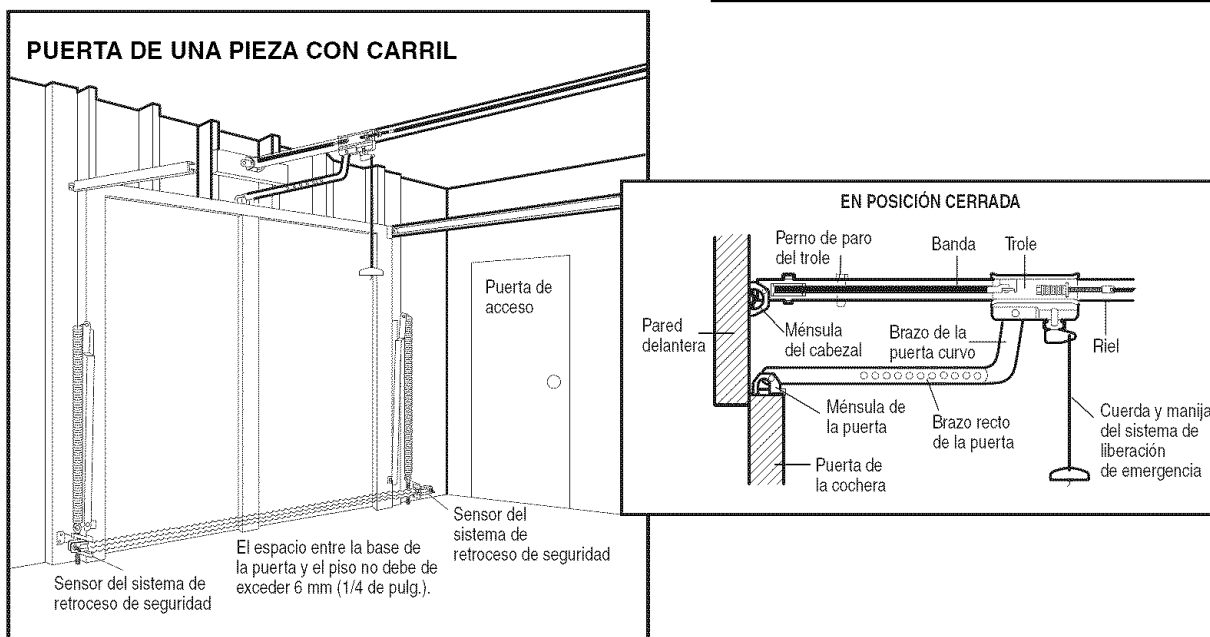
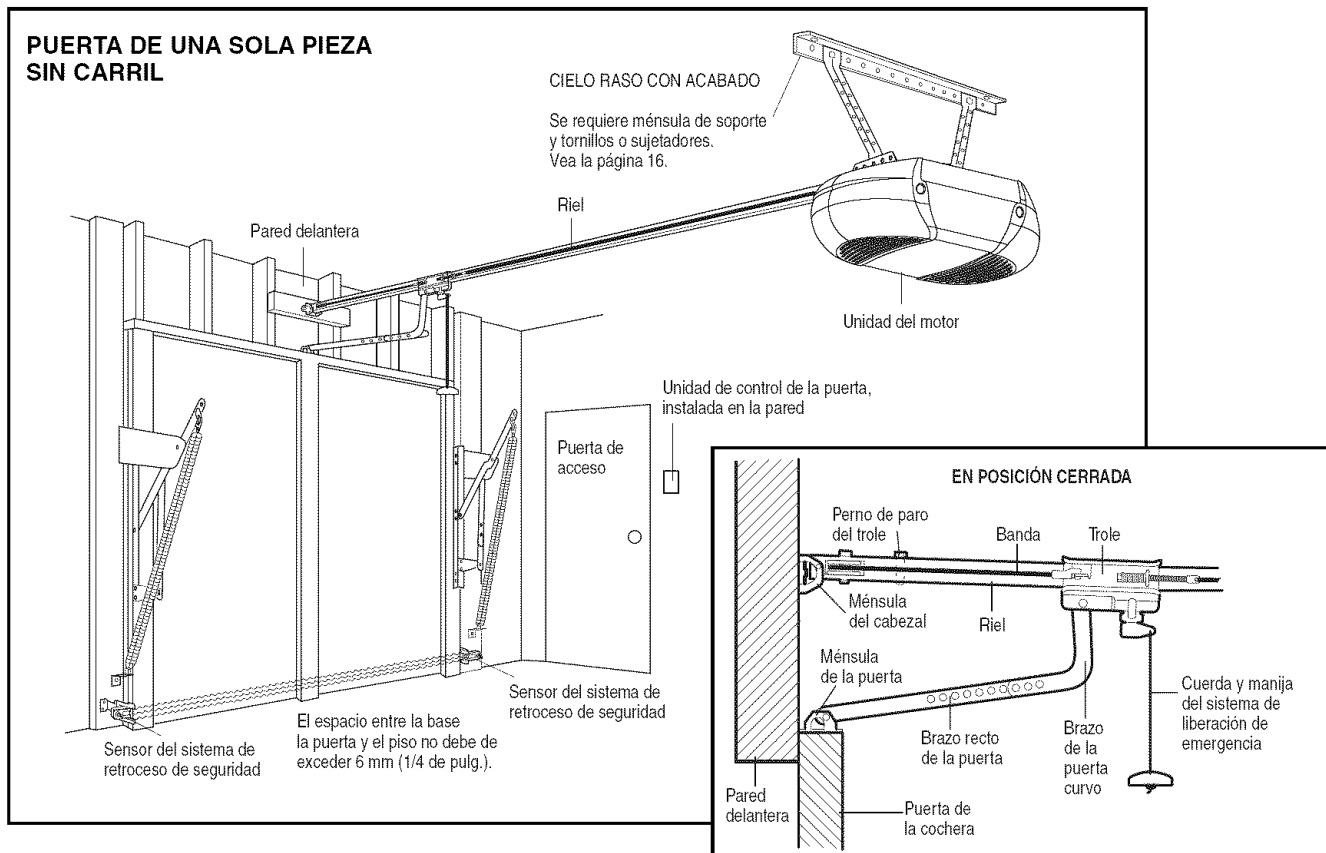
### INSTALACIÓN CON PUERTAS DE UNA SOLA PIEZA

- Generalmente una puerta de una sola pieza no requiere refuerzos adicionales. Si usted tiene una puerta de material liviano y quiere reforzarla, consulte la información respecto a puertas seccionales, contenida en Instalación, Paso 12.
- Dependiendo del diseño de su puerta, tal vez necesite piezas de montaje adicionales para la ménsula de la puerta (Paso 12).

## ⚠ ADVERTENCIA

Sin un sistema de retroceso de seguridad que funcione debidamente, al cerrar la puerta de la cochera se corre el riesgo de que las personas (y en particular los niños pequeños) sufran LESIONES GRAVES o INCLUSO LA MUERTE.

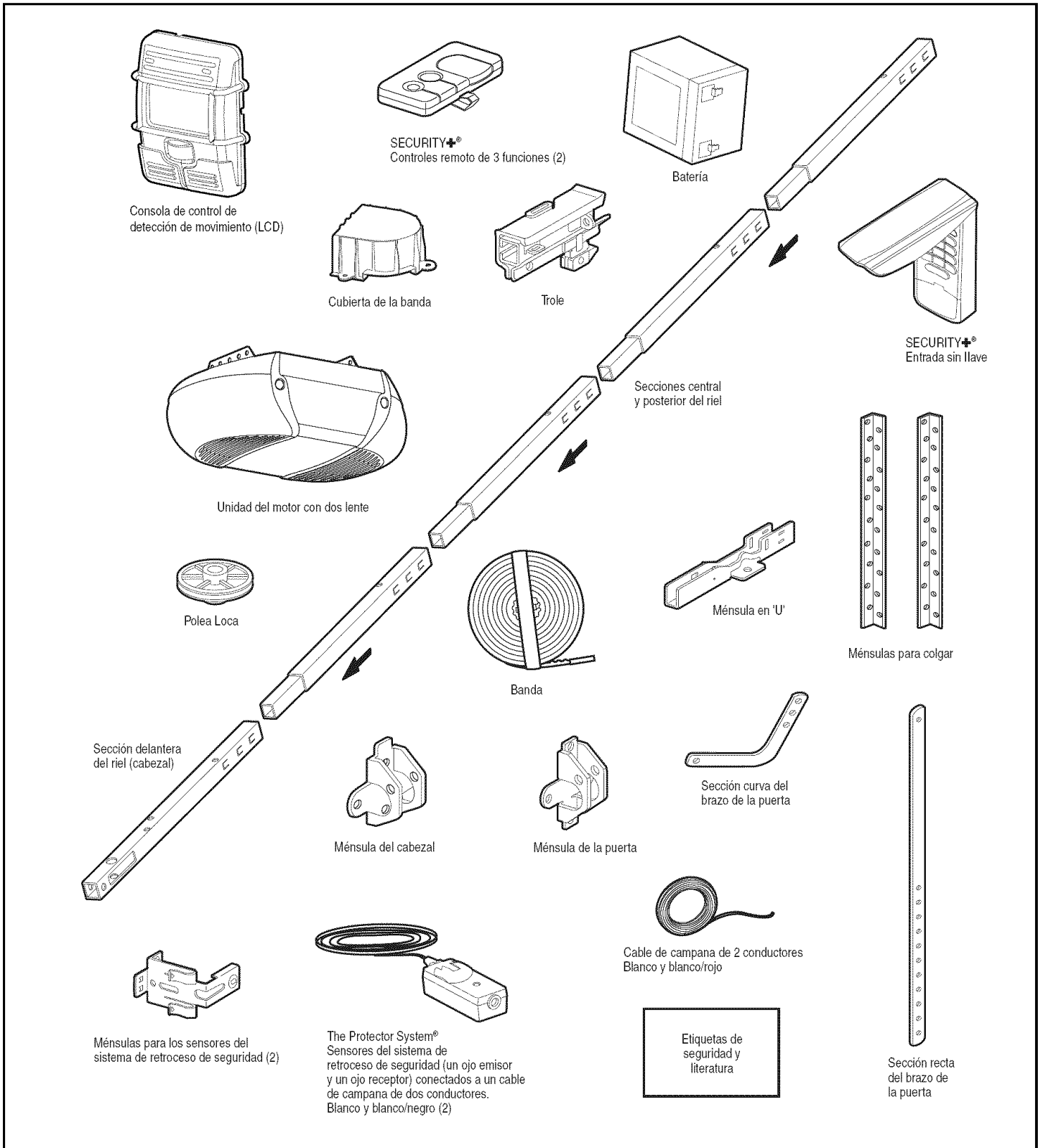
- El espacio entre la base de la puerta de la cochera y el piso **NO DEBE** exceder 6 mm (1/4 de pulgada). De no ser así, el sistema de retroceso de seguridad no va a funcionar debidamente.
- El piso o la puerta de la cochera **SE DEBE** reparar para eliminar este espacio.



## Inventario de la Caja de Cartón

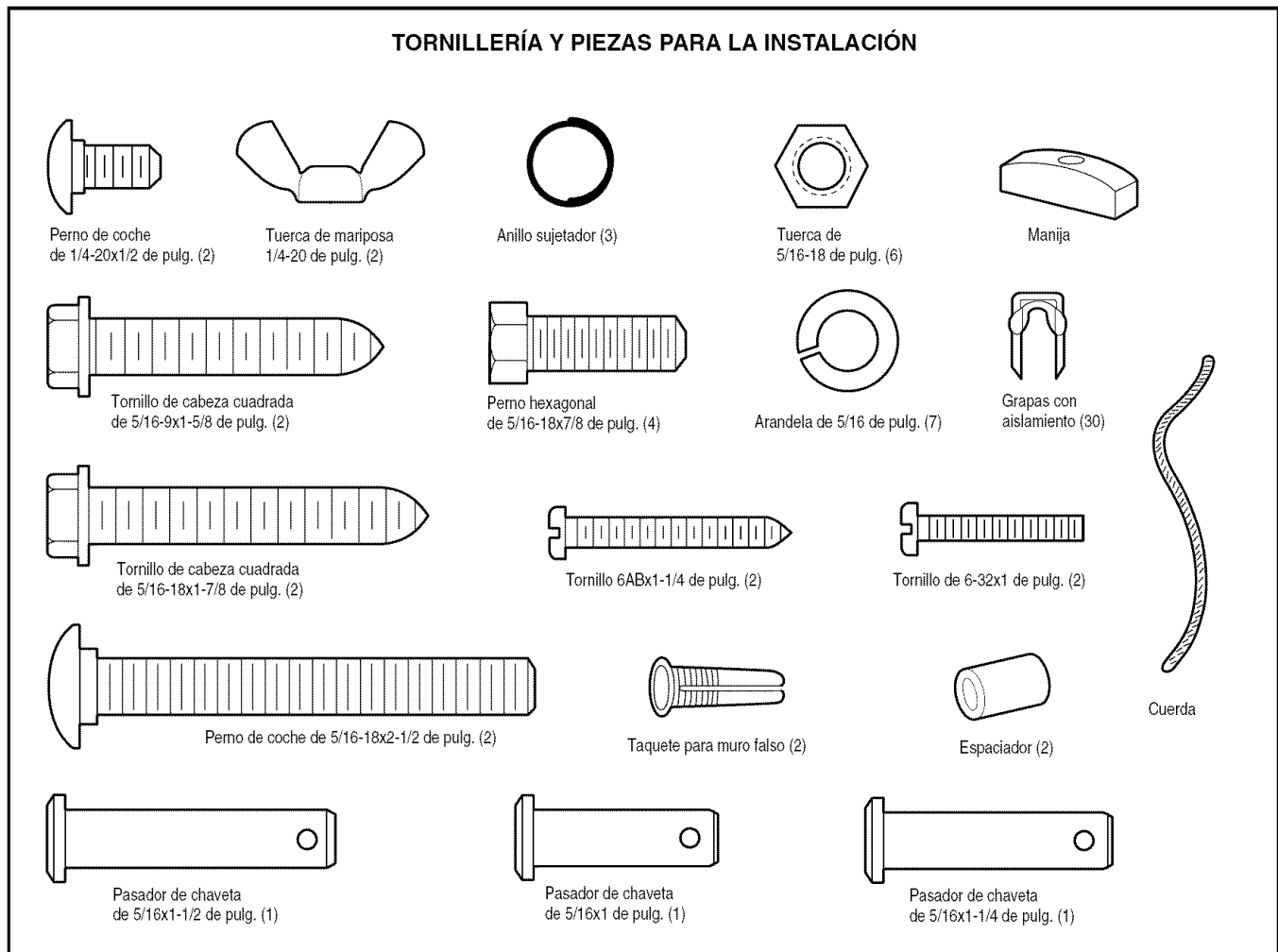
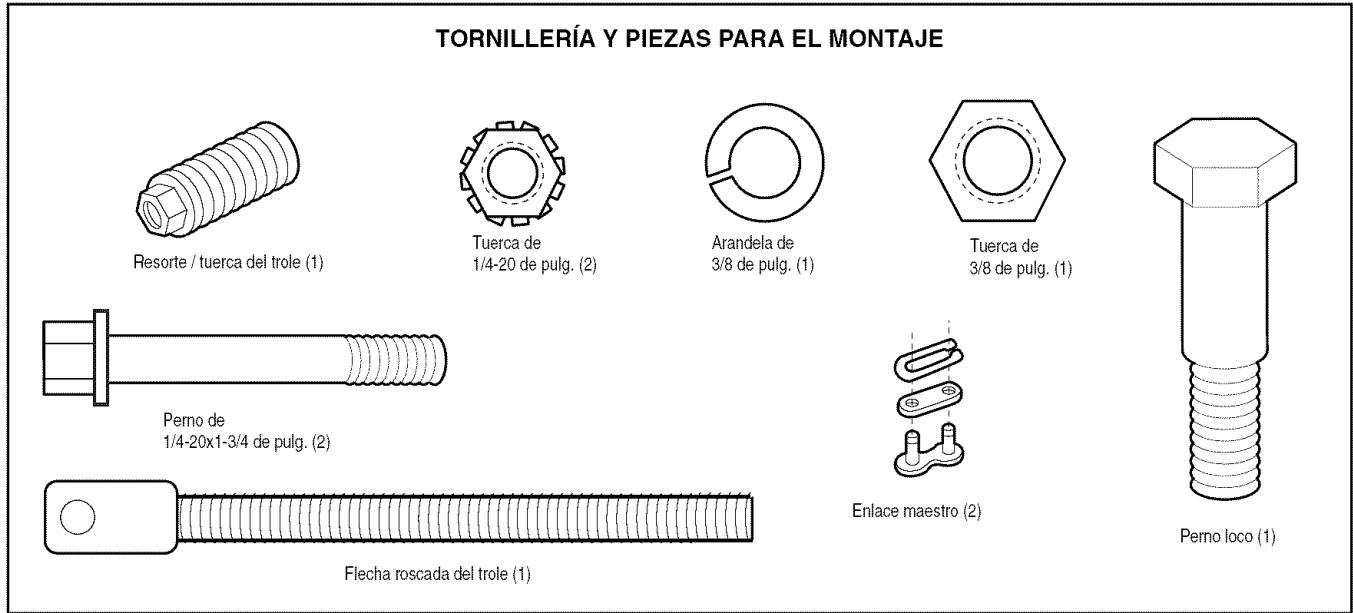
Su abridor viene empaquetado en una caja de cartón que contiene el motor y las piezas que se muestran en la siguiente ilustración. Tome nota de que los accesorios dependerán del modelo que haya comprado. Si falta alguna pieza, revise con cuidado el material de empaque ya que en ocasiones las piezas se atorran en el mismo. Toda la tornillería y las piezas

necesarias para el montaje e instalación de su puerta se ilustran en la siguiente página. Conserve la caja y los materiales de empaque hasta que la instalación y el ajuste se hayan terminado.



## Inventario de Piezas

Antes de la instalación, organice todas las piezas en grupos como se muestra en la siguiente ilustración.



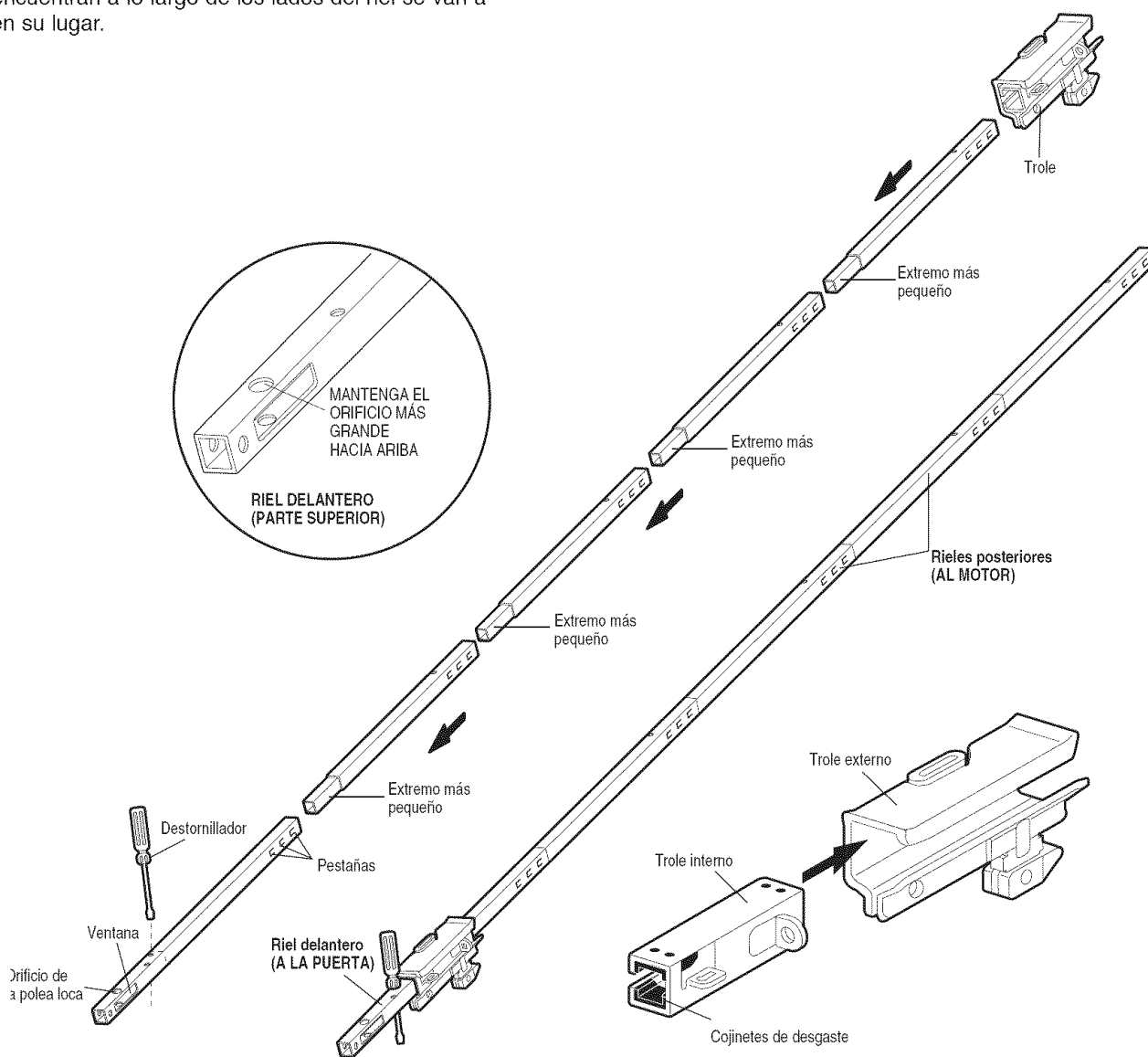
## MONTAJE, PASO 1

### Monte el Riel e instale el Trole

No encienda ni use el abridor hasta que llegue al paso de la instalación correspondiente, de otra manera corre el riesgo de complicar el proceso de instalación.

El riel delantero tiene una "ventana" cortada en el extremo de la puerta (vea la ilustración). El orificio que se encuentra por encima de esta ventana es más grande en la parte superior del riel que en la parte inferior. Hay un orificio más pequeño que se encuentra a 8.9 cm (3-1/2 de pulg.) y está cerca de la orilla del riel. Gire el riel posterior de manera que tenga un orificio similar cerca de la orilla **opuesta**, más o menos a 12 cm (4-3/4 de pulg.) del extremo.

1. Quite el brazo recto de la puerta, las ménsulas para colgar y el pasador de chaveta que viene empacado dentro del riel delantero y póngalos a un lado para usarlos en el Paso 5 y 12 de la Instalación. **NOTA:** Para no sufrir una **LESIÓN** al desempacar el riel, mueva con cuidado el brazo recto de la puerta que está almacenado dentro de la sección de riel.
2. Alinee las secciones del riel sobre una superficie plana exactamente como se indica y luego deslice los extremos más pequeños dentro de los más grandes. Las pestañas que se encuentran a lo largo de los lados del riel se van a ajustar en su lugar.



## PRECAUCIÓN

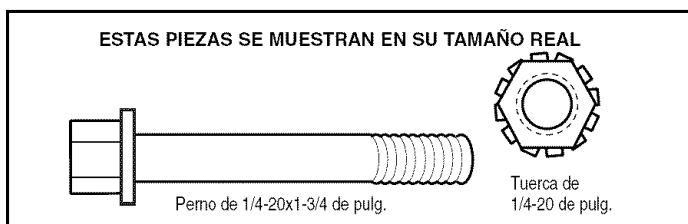
Para evitar QUE SE PELLIZQUE, conserve los manos y dedos lejos de las juntas cuando monte el riel.

3. Coloque el motor sobre el material de empaque para proteger la cubierta del mismo y apoye el extremo posterior del riel encima. Para que le resulte más cómodo, ponga algún tipo de apoyo bajo el extremo delantero del riel.
4. Ponga en el riel un destornillador como tope temporal del trole a 25 cm (10 pulg.) del centro del orificio de la polea loca, como se indica en la ilustración.
5. Revise y cerciórese de que haya 4 cojinetes de desgaste dentro del trole interno, estos cojinetes son de plástico. Si los cojinetes se han soltado durante el transporte, revise todo el material de empaque. Ponga los cojinetes de desgaste en su lugar como se indica.
6. Deslice el trole a lo largo del riel desde el extremo posterior hacia el destornillador.

## MONTAJE, PASO 2

### Fije el Riel a la Unidad del Motor

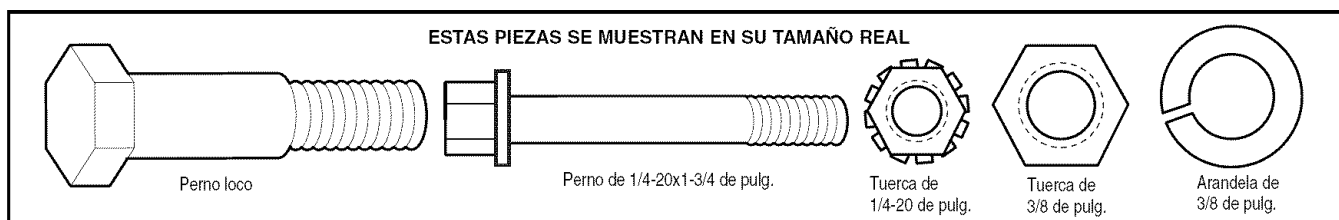
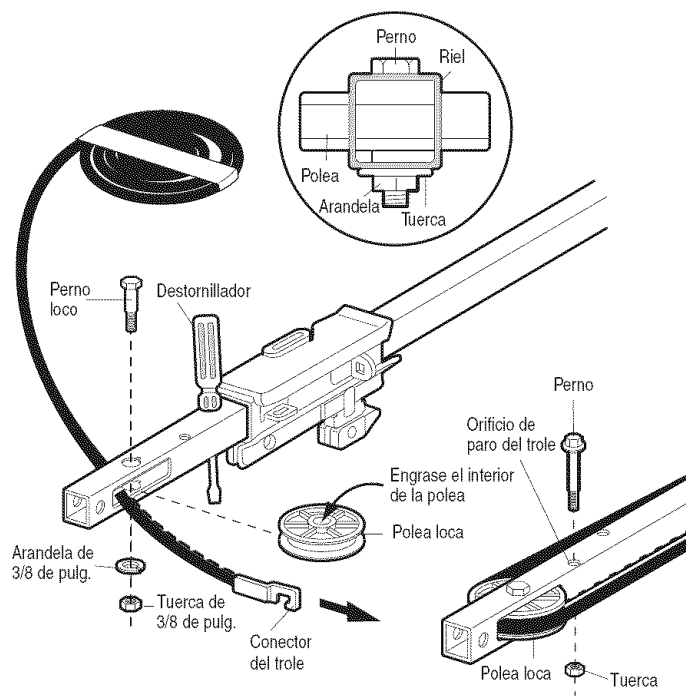
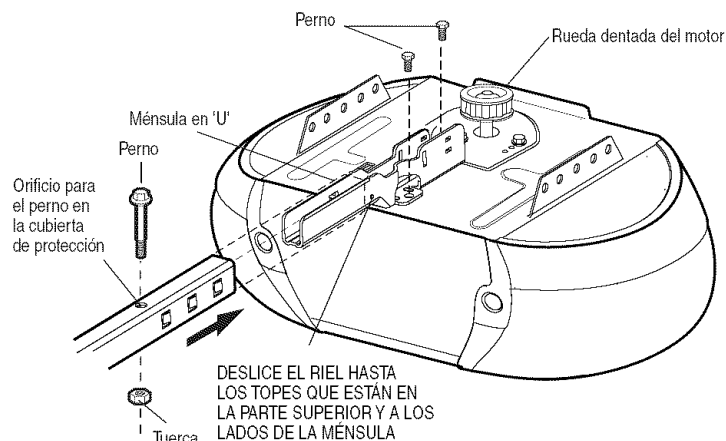
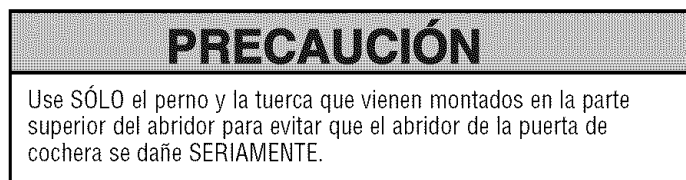
- Coloque un perno de 1/4-20x1-3/4 de pulg. dentro del orificio de la cubierta de protección que se encuentra en el extremo posterior del riel, como se indica en la ilustración. Apriete bien el perno con tuerca de 1/4-20 de pulg.  
*NO ajuste demasiado la tuerca.*
- Quite dos pernos de la parte superior del motor.
- Ponga la ménsula en 'U' sobre el motor con el lado plano hacia abajo y alinee los orificios de la ménsula con los orificios de los pernos. Sujete con los pernos que quitó antes.
- Alinee el riel con la parte superior del motor. Deslice el extremo del riel en la ménsula en 'U', *hasta los toques que sobresalen en la parte superior y a los lados de la ménsula.*



## MONTAJE, PASO 3

### Instale la Polea Loca

- Ponga la cadena y cable a un lado del riel como se muestra en la ilustración. Tome el extremo del cable y pase por la ventana aproximadamente 30 cm (12 pulg.) Déjelo que cuelgue hasta que llegue al Paso 5 de Montaje.
- Retire la cinta de la polea loca. El interior del centro debe estar engrasado. Si se ha secado, vuelva a engrasarlo para asegurar que la operación sea adecuada.
- Coloque la polea loca dentro de la ventana como se muestra en la ilustración.
- Inserte el perno loco desde la parte superior y a través del riel y la polea. Apriete con una arandela y una tuerca de 3/8 de pulg. por debajo del riel hasta que la arandela quede comprimida.
- Haga girar la polea para cerciorarse de que da vuelta libremente.
- Pase un perno de 1/4-20x1-3/4 de pulg. por el orificio de paro del trole que se encuentra en la parte delantera del riel, como se muestra en la ilustración. Apriete bien con una tuerca de 1/4-20 de pulg.





## MONTAJE, PASO 4

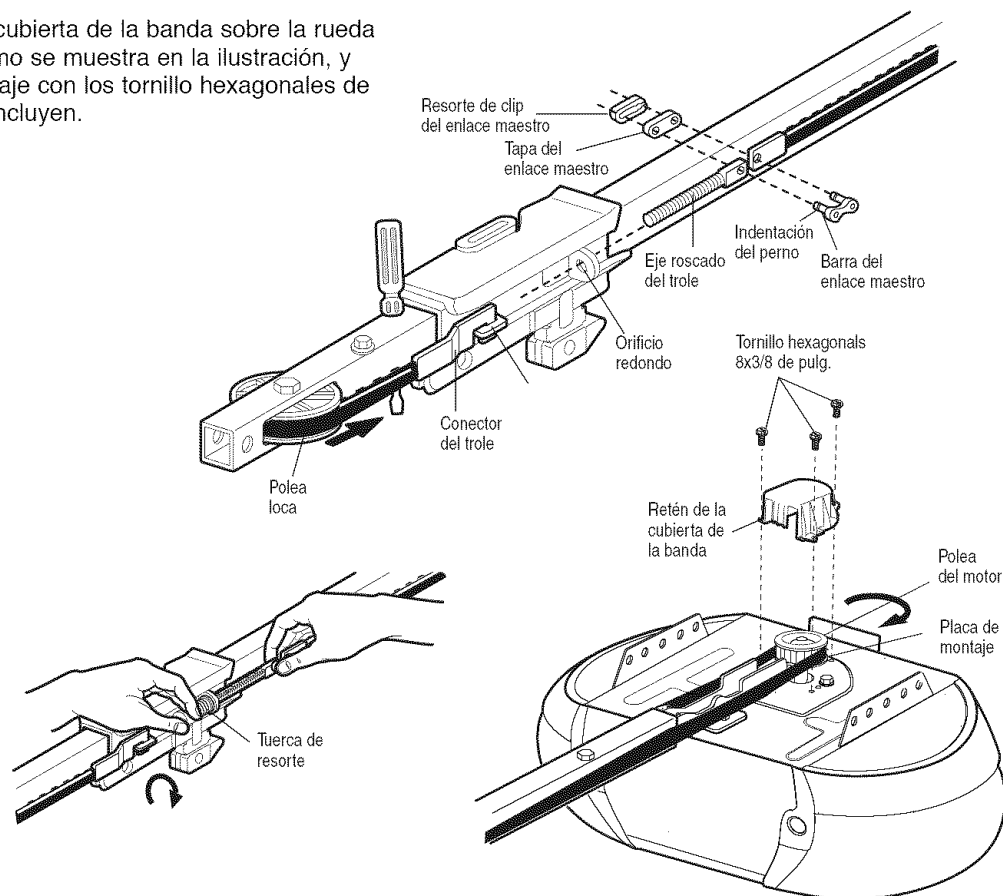
### Instale la banda y sujete el retén de la cubierta de la banda

1. Jale la banda alrededor de la polea loca hacia el trole.  
*El lado acanalado debe estar en contacto con la polea.*
2. Enganche el conector del trole en la ranura de retención que se encuentra en el trole como se indica en la ilustración.
3. Ponga el trole contra las pinzas y alimente el resto de la banda a todo lo largo del riel hacia la unidad del motor y alrededor de la rueda dentada. Los dientes de la rueda dentada deben retener la polea.
4. Verifique que la banda no esté torcida y luego conéctela al lado plano de la flecha dentada del trole con el eslabón maestro, como aparece en la ilustración.
  - Ponga los pasadores de la barra del eslabón maestro a través de los orificios que se encuentran en el extremo de la banda y por la flecha dentada del trole.
  - Ponga la cubierta del eslabón maestro sobre los pasadores y más allá de las ranuras de los pasadores.
  - Deslice el resorte de clip sobre la cubierta y en las ranuras de los pasadores hasta que ambos pasadores queden firmes y seguros en su lugar.
5. Inserte la flecha dentada del trole en el orificio del trole.  
*Cerciórese de que la banda no esté torcida y que el lado acanalado esté hacia el riel.*
6. Sostenga la banda en la flecha del trole a medida que atornilla la tuerca de resorte manualmente en la flecha hasta que esté bien ajustada contra el trole. *No use herramientas para hacer esto.*
7. Quite el destornillador.
8. Coloque el retén de la cubierta de la banda sobre la rueda dentada del abridor como se muestra en la ilustración, y sujete la placa de montaje con los tornillos hexagonales de 8x3/8 de pulg. que se incluyen.

## ⚠ ADVERTENCIA

Para evitar posibles LESIONES GRAVES en los dedos causadas por las partes móviles del abridor de puerta de cochera:

- Aparte SIEMPRE la mano de la polea de la correa mientras haga funcionar el abridor.
- Conecte bien la cubierta de la polea de la correa ANTES de hacer funcionar.



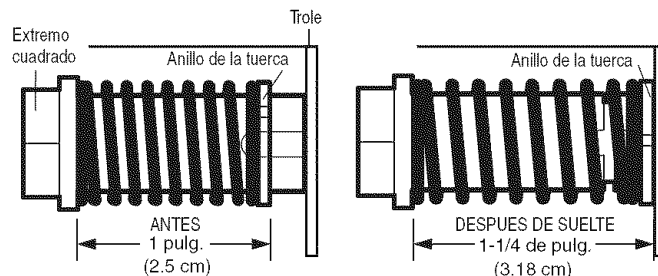
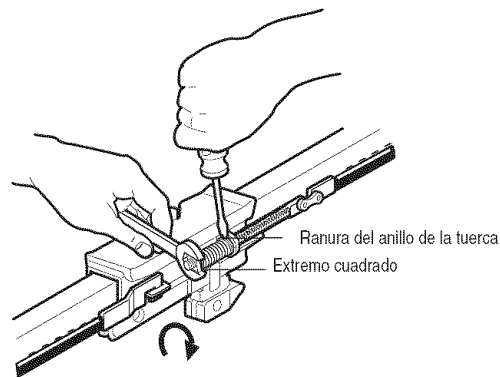
## MONTAJE, PASO 5

### Fije la tensión de la banda

- Ponga la punta de un destornillador dentro de una de las ranuras del anillo de la tuerca y sujételo firmemente contra el trole.
- Ponga una llave abierta de 7/16 de pulg en el extremo cuadrado. Dé vuelta a la tuerca más o menos un 1/4 de su giro completo hasta que se suelte el resorte y el anillo de la tuerca quede contra el trole.

Esto fija el resorte a la tensión óptima de la banda.

**Ya terminó de armar su abridor de puerta de cochera. Lea las siguientes advertencias antes de continuar a la sección de instalación.**



## INSTALACIÓN

### INSTRUCCIONES IMPORTANTES PARA LA INSTALACIÓN

#### ⚠️ ⚠️ ADVERTENCIA

### Para reducir el riesgo de una LESIÓN GRAVE o LA MUERTE:

1. LEA Y SIGA AL PIE DE LA LETRA TODAS LAS INSTRUCCIONES PARA LA INSTALACIÓN.
2. Instale el abridor de puerta de cochera sólo si la puerta de la cochera está debidamente balanceada y lubricada. Si la puerta no está debidamente balanceada es posible que no retroceda cuando se requiera, lo que podría ocasionar una LESIÓN GRAVE o INCLUSO LA MUERTE.
3. Todas las reparaciones de los cables, resortes y otras piezas las DEBE llevar a cabo un técnico especializado en sistemas de puertas, ANTES de instalar el abridor.
4. Quite TODOS los seguros y retire TODAS las cuerdas conectadas a la puerta de la cochera ANTES de instalar el abridor para evitar que se enreden.
5. Instale el abridor de la puerta de cochera a una distancia de 2.1 m (7 pies) del piso.
6. Monte la manija de liberación de emergencia a una distancia de 1.8 m (6 pies) del piso.
7. NUNCA conecte el abridor de la puerta de cochera a una fuente de energía eléctrica hasta que así se indique.
8. NUNCA lleve puestos relojes, anillos ni ropa muy floja mientras esté instalando o dando servicio al abridor, pues podrían atorarse en la puerta de la cochera o en los mecanismos del abridor.
9. Instale la consola de control de garaje de pared:
  - de manera que quede a la vista desde la puerta de la cochera.
  - fuera del alcance de los niños y a una altura mínima de 5 pies (1.5 m).
  - lejos de TODAS las partes móviles de la puerta.
10. Coloque la calcomanía que advierte sobre el riesgo de atraparse cerca del control de la puerta de la cochera, en la pared.
11. Coloque la calcomanía que contiene la prueba de retroceso de seguridad y liberación de emergencia a plena vista en la parte interior de la puerta de la cochera.
12. Al concluir la instalación, pruebe el sistema de retroceso de seguridad. La puerta DEBE retroceder al entrar en contacto con un objeto de 3.8 cm (1-1/2 de pulg.) o bien con un pedazo de madera de 5x10 cm (2x4 pulg.) puesto plano sobre el piso.
13. Para evitar LESIONES PERSONALES GRAVES o MORTALES debidas a electrocución, desconecte TODA la corriente eléctrica y de la batería ANTES de realizar cualquier servicio o mantenimiento.

# INSTALACIÓN, PASO 1

## Determine dónde va a instalar la Ménsula del Cabezal

### ⚠ ADVERTENCIA

Para evitar una posible LESIÓN GRAVE o INCLUSO LA MUERTE:

- La ménsula del cabezal DEBE quedar RÍGIDAMENTE sujeta al soporte estructural en la pared delantera o en el cielo raso, de no ser así es posible que la puerta de la cochera no retroceda cuando se requiera. NO instale la ménsula del cabezal en muros falsos.
- Se DEBEN usar sujetadores para concreto si el montaje de la ménsula del cabezal o del pedazo de madera de 5x10 cm (2x4 pulg.) se hace en mampostería.
- NUNCA trate de aflojar, mover ni ajustar la puerta de la cochera, los resortes, los cables, las poleas, las ménsulas ni la tornillería, pues todas estas piezas están bajo una tensión EXTREMA.
- SIEMPRE llame a un técnico especializado en sistemas de puertas si la puerta de cochera se pandea, se atora o si está desbalanceada. Una puerta de cochera que no esté balanceada puede no retroceder cuando se requiera.

El proceso de instalación varía dependiendo de los diferentes tipos de puerta de cochera. Siga las instrucciones que correspondan a su puerta.

1. Cierre la puerta y marque la línea central vertical del interior de la puerta.
2. Continúe marcando esta línea hacia arriba hasta llegar a la pared delantera, por encima de la puerta.

**Es posible instalar la ménsula del cabezal hasta una distancia máxima de 1.22 m (4 pies) a cada lado del centro de la puerta, pero únicamente si un resorte de torsión o un placa central de apoyo se encuentra en el recorrido. También cuando el espacio es reducido, se puede instalar la ménsula en el cielo raso o plafón de la cochera (vea la página 13). (Asimismo, se puede instalar invertida sobre la pared si es necesario, esto le dará aproximadamente 1 cm (1/2 pulg.) de espacio).**

Si necesita instalar la ménsula del cabezal en un pedazo de madera de 5x10 cm (2x4 pulg.) (ya sea en la pared o en el techo), use tornillos de cabeza cuadrada o pijas (no se incluyen) para sujetar el pedazo de madera a los soportes estructurales, como se indica aquí y en la página 13.

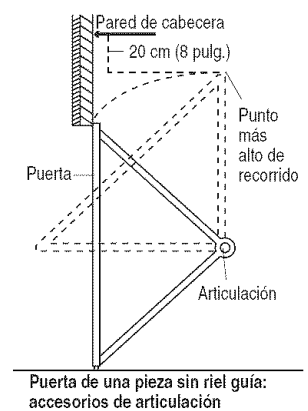
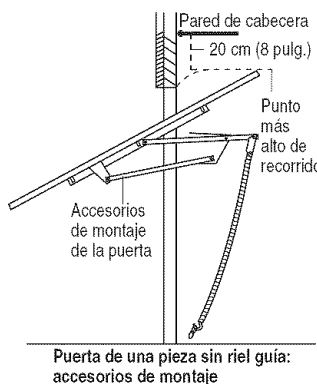
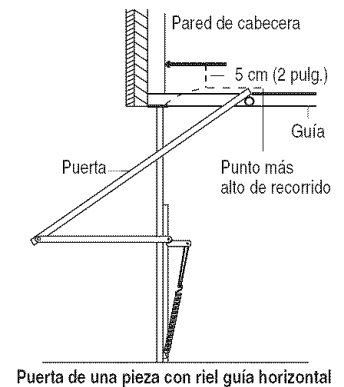
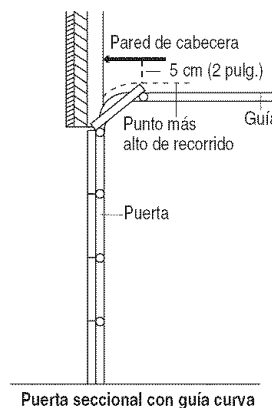
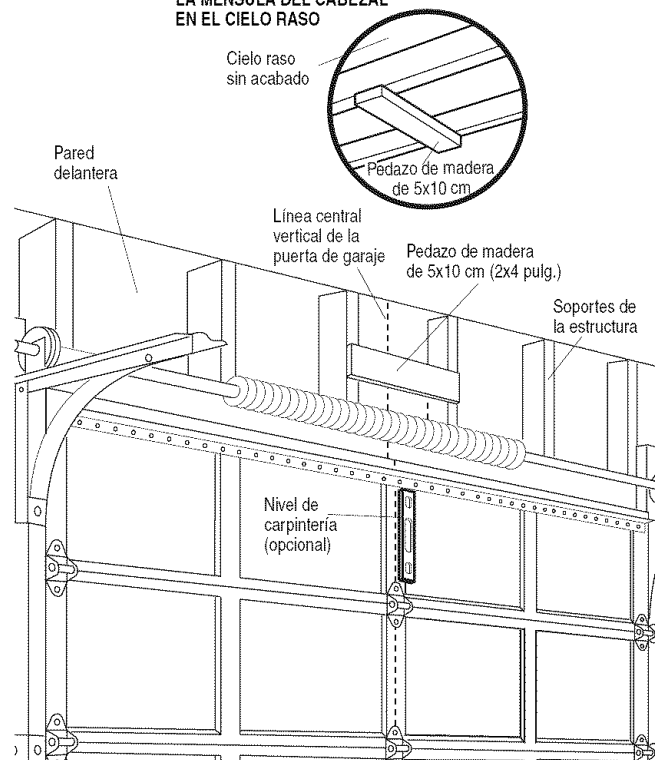
3. Abra la puerta hasta el punto más alto de su recorrido como se muestra. Marque una línea horizontal que intersecte en la pared delantera y a del punto más alto del recorrido:

- 5 cm (2 pulg.) por encima del punto más alto en el caso de puertas seccionales y puertas de una sola pieza con riel.
- 20 cm (8 pulg.) por encima del punto más alto en el caso de puertas de una sola pieza sin riel.

A esta altura, el extremo superior de la puerta tendrá suficiente espacio para su recorrido.

**NOTA:** Si el número total de centímetros excede la altura disponible en su cochera, use la altura máxima posible o consulte la página 13 para la Instalación en el cielo raso o plafón.

### INSTALACIÓN OPCIONAL DE LA MÉNSULA DEL CABEZAL EN EL CIELO RASO



## INSTALACIÓN, PASO 2

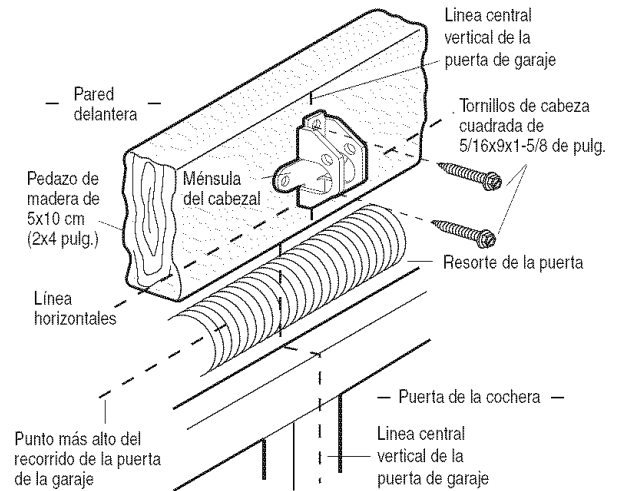
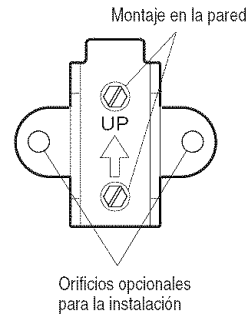
### Instale la Ménsula del Cabezal

La ménsula del cabezal se puede fijar a la pared justo por encima de la puerta de la cochera o en el cielo raso. Siga las instrucciones que sean más adecuadas para su cochera.

**No instale la ménsula del cabezal en un muro falso. Si va a fijar la ménsula del cabezal a ladrillo o mampostería, asegúrese de utilizar sujetadores de cemento (no se incluyen).**

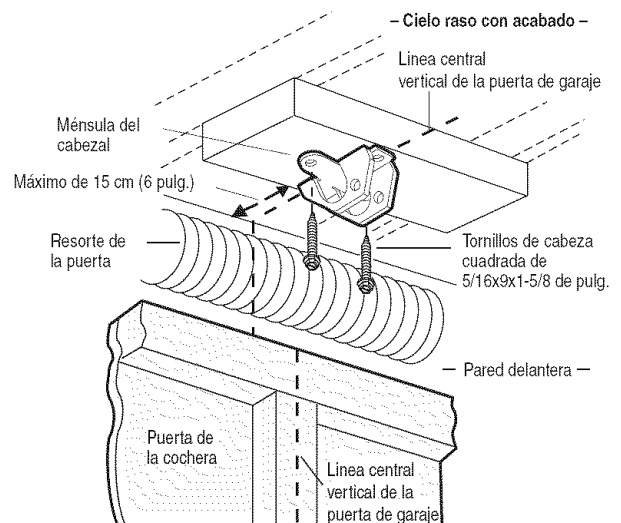
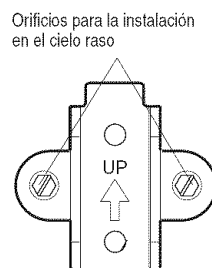
#### INSTALACIÓN DE LA MÉNSULA DEL CABEZAL EN LA PARED DELANTERA

- Coloque la ménsula sobre la línea central vertical con el borde inferior sobre la línea horizontal, como se muestra en la ilustración (con la flecha de la ménsula apuntando hacia el techo).
- Marque los orificios de la ménsula que van en línea vertical. Taladre los orificios con una broca de 3/16 de pulgada y sujete la ménsula al soporte de la estructura con la tornillería que se incluye.



#### INSTALACIÓN DE LA MÉNSULA DEL CABEZAL EN EL CIELO RASO

- Extienda la línea central vertical sobre el cielo raso como se muestra en la ilustración.
- Coloque la ménsula en el centro de la línea a no más de 15 cm (6 pulg.) de la pared. Cerciórese de que la flecha de la ménsula apunte hacia el lado opuesto de la pared. La ménsula puede ser instalada pegada al cielo raso cuando el espacio es muy reducido.
- Marque dónde va a taladrar los orificios laterales. Taladre los orificios con una broca de 3/16 de pulgada y fije la ménsula firmemente al soporte de la estructura con la tornillería que se incluye.

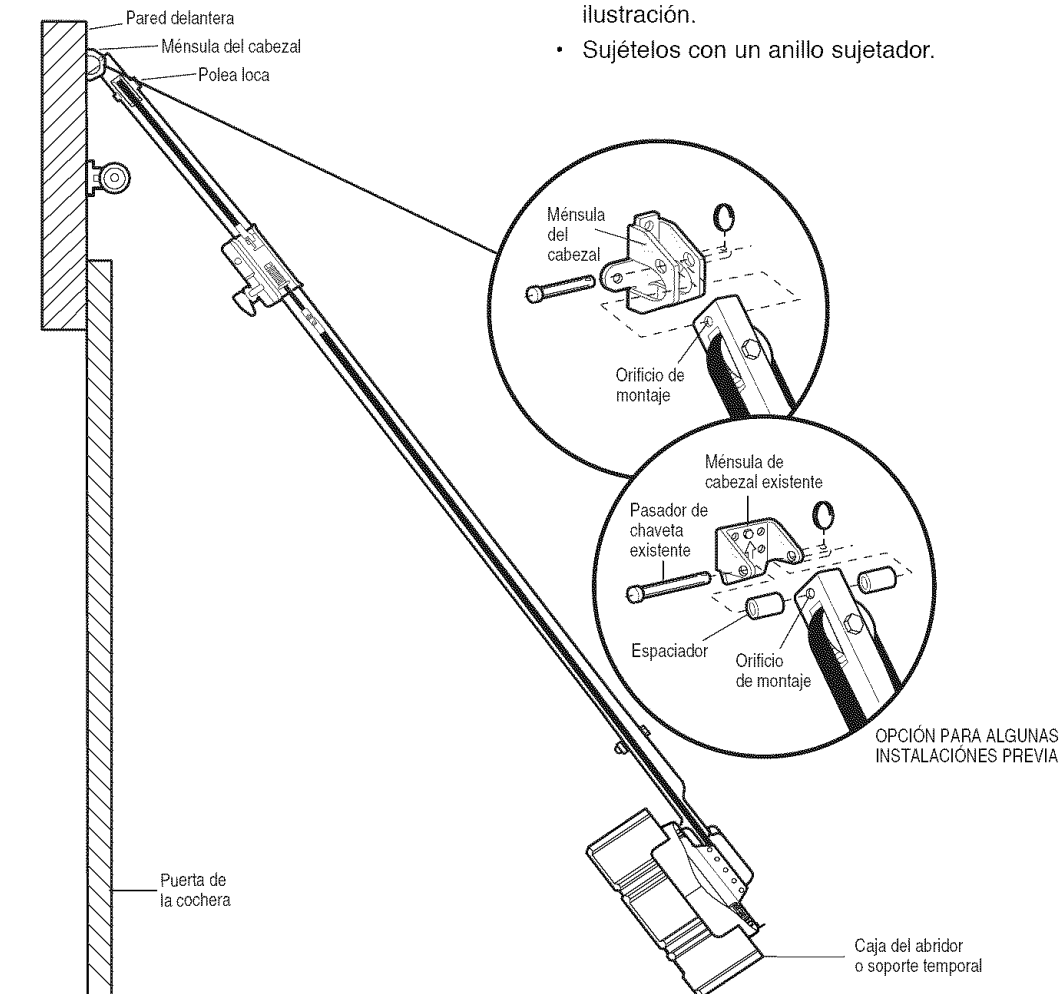


## INSTALACIÓN, PASO 3

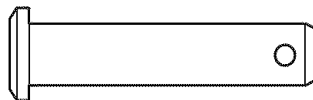
### Coloque el Riel en la Ménsula del Cabezal

**NOTA:** (Opcional) Con algunas instalaciones anteriores puede reutilizar la antigua ménsula del cabezal con los dos espaciadores de plástico que se incluyen en la bolsa de componentes. Coloque los espaciadores en el interior de la ménsula, a cada lado del riel, tal y como se muestra en la ilustración.

- Coloque el abridor sobre el piso de la cochera debajo de la ménsula del cabezal. Use el material de empaque como base para protegerlo. **NOTA:** Si el resorte de la puerta está obstruyendo, va a necesitar ayuda. Otra persona tendrá que sostener el abridor firmemente sobre un soporte temporal para permitir que el riel libere el resorte.
- Coloque el extremo del riel delantero dentro de la ménsula del cabezal y una ambos elementos con un pasador de chaveta de 5/16 por 1-1/2 pulg., como se muestra en la ilustración.
- Sujételos con un anillo sujetador.



ESTAS PIEZAS SE MUESTRAN EN SU TAMAÑO REAL



Pasador de chaveta de  
5/16 por 1-1/2 pulg.



Anillo sujetador

## INSTALACIÓN, PASO 4

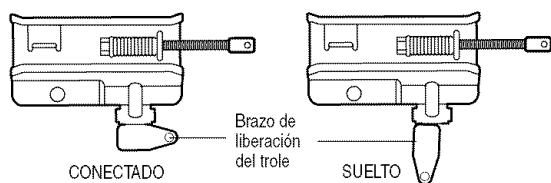
### Coloque el Abridor en Posición

Siga las instrucciones correspondientes al tipo de puerta de su cochera, como se muestra en la ilustración.

#### PUERTA SECCIONAL O PUERTA DE UNA SOLA PIEZA CON CARRIL

Un pedazo de madera de 5x10 cm (2x4 pulg.) le será de ayuda al determinar la distancia ideal entre la puerta y el riel.

- Retire la espuma de embalaje.
- Ponga el abridor sobre la escalera; si la escalera no es lo suficientemente alta, va a necesitar ayuda.
- Abra completamente la puerta y coloque el pedazo de madera de 5x10 cm (2x4 pulg.) en la sección superior, de manera que quede debajo del riel.
- Si el panel superior golpea el trole al levantar la puerta, tire hacia abajo el brazo de liberación del trole para desconectar las secciones interna y externa del mismo. Deslice el trole externo hacia el motor. El trole puede permanecer desconectado hasta el final del Paso 12 de la sección de Instalación.



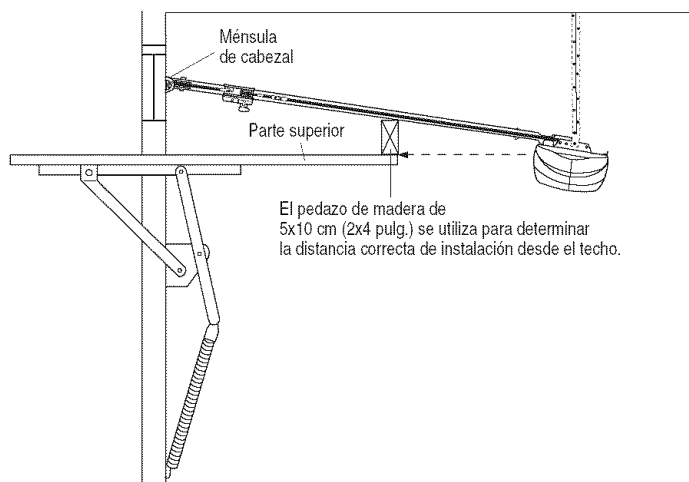
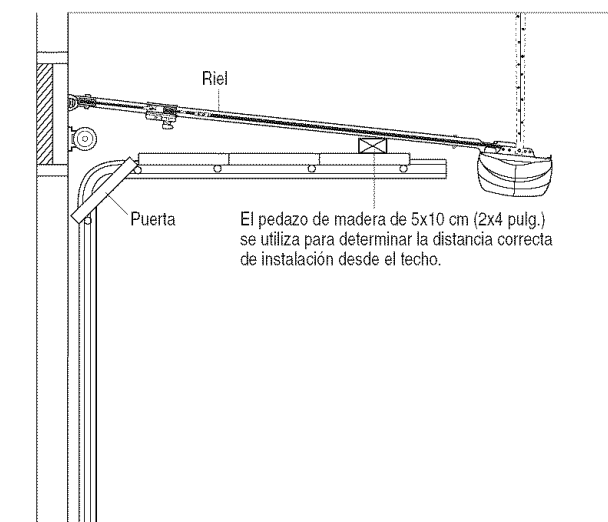
#### PUERTA DE UNA SOLA PIEZA SIN CARRIL

Coloque un pedazo de madera de 5x10 cm (2x4 pulg.) sobre su lado de ayuda al determinar la distancia ideal entre la puerta y el riel.

- Retire la espuma de embalaje.
- Ponga el abridor sobre la escalera; si la escalera no es lo suficientemente alta, va a necesitar ayuda.
- Abra completamente la puerta y coloque un pedazo de madera de 5x10 cm (2x4 pulg.) sobre su lado en la sección superior, de manera que quede debajo del riel.
- La parte superior de la puerta debe estar alineada con la parte superior de la unidad del motor. No instale el abridor a más de 10 cm (4 pulg.) por encima de este punto.

## PRECAUCIÓN

Para evitar que la puerta de cochera sufra daños, apoye el riel del abridor de la misma sobre un pedazo de madera de 5x10 cm (2x4 pulg.) colocado en la sección superior de la puerta.



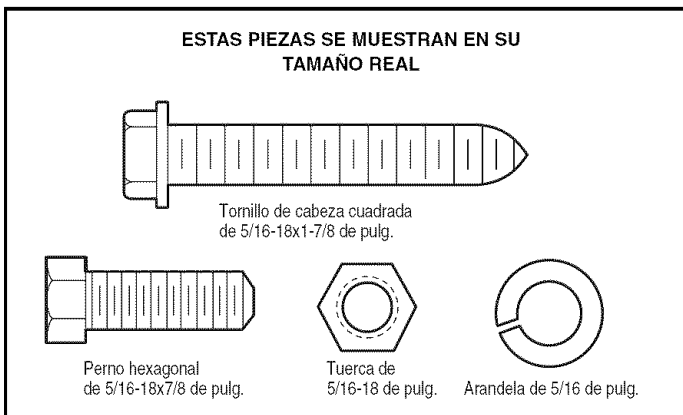
## INSTALACIÓN, PASO 5

### Cuelgue el Abridor

Aquí se muestran tres ejemplos distintos para la instalación; sin embargo, es posible que su cochera no concuerde con ninguno de ellos. Las ménsulas de soporte deben estar en ángulo (Figura 1), para que proporcionen un soporte rígido. En caso de tener un cielo raso acabado (Figura 2 y Figura 3), instale una ménsula de metal resistente en algún soporte de la estructura antes de instalar el abridor. No se incluye esta ménsula ni la tornillería.

1. Mida la distancia desde cada lado de la unidad del motor hasta el soporte de la estructura.
2. Corte las dos partes de las ménsulas colgantes a la medida adecuada.
3. Taladre los orificios de 3/16 de pulgada en los soportes de la estructura.
4. Fije un extremo de cada ménsula al soporte con tornillos de cabeza cuadrada de 5/16 -18x1-7/8 de pulg.
5. Fije el abridor a las ménsulas colgantes con pernos hexagonales de 5/16 -18x7/8 de pulg., y sus tuercas y arandelas correspondientes.
6. Verifique que el abridor esté centrado sobre la puerta (o alineado con la ménsula del cabezal, si la ménsula no está centrada sobre la puerta).
7. Quite el pedazo de madera de 5x10 cm (2x4 pulg.). Haga funcionar la puerta manualmente. Si la puerta golpea el riel, suba la ménsula del cabezal.

**NOTA:** NO conecte el abridor a la fuente de energía eléctrica en este momento.



## ⚠️ ADVERTENCIA

Para evitar la posibilidad de una LESIÓN GRAVE si se cae el abridor de la puerta de cochera, sujételo FIRMEMENTE a los soportes estructurales de la cochera. Se DEBEN usar sujetadores para concreto si alguna de las ménsulas se va a instalar en mampostería.

Figura 1

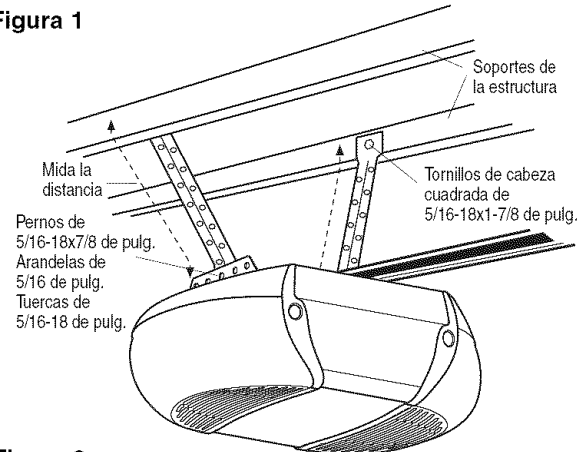


Figura 2

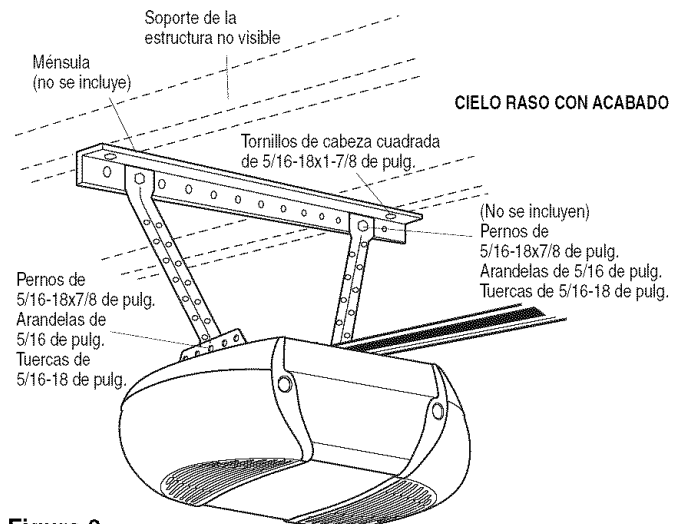
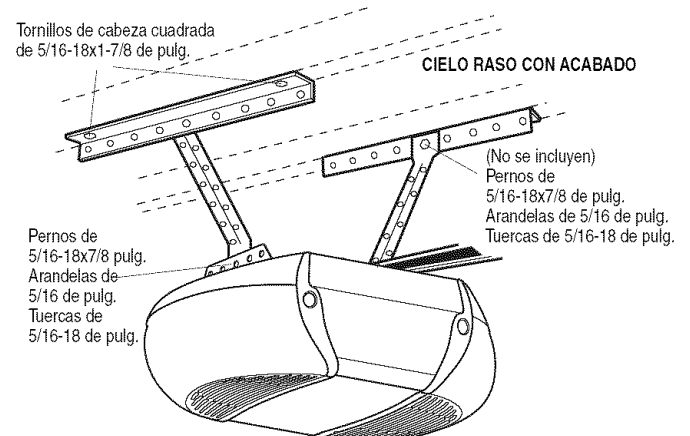


Figura 3



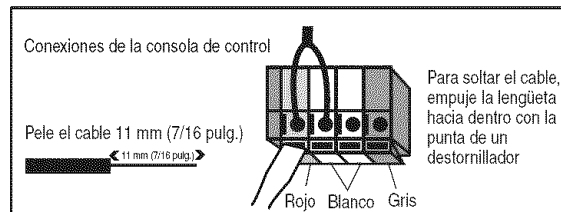
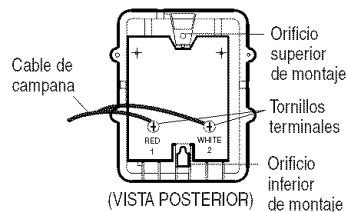
## INSTALACIÓN, PASO 6

### Instale la Consola de Control

Ubique la consola de control de manera que quede a la vista desde la puerta y a una altura mínima de 1.5 m (5 pies) donde los niños pequeños no lo puedan alcanzar y lejos de las partes móviles de la puerta y de la tornillería. Si se va a instalar en un muro falso, taladre dos orificios de 5/32 de pulg. y use los sujetadores que se incluyen. Para una instalación precableada, (por ejemplo, en una casa en construcción) los modelos de consola se pueden instalar en una caja múltiple estándar (Figura 2).

1. Pele 11 mm (7/16 de pulg.) del extremo del cable de campana y conéctelo a las terminales de tornillo correspondientes al color del cable en la parte posterior de la unidad de control de la puerta; blanco a 2 y blanco y rojo a 1.
2. Con un destornillador abra la tapa por el costado. Sujete con un tornillo autorroscante de 6AB por 1-1/4 pulgadas (instalación en muro falso) o con un tornillo para metales de 6-32 por 1 pulgada (dentro de la caja múltiple) como se indica a continuación:
  - Instale el tornillo de la parte inferior de manera que sobresalga por lo menos 3 mm (1/8 de pulg.) de la pared.
  - Coloque la parte inferior de la unidad de control de la puerta sobre la cabeza del tornillo y deslícelo para sujetarlo, vuelva a apretar el tornillo para un ajuste firme.
  - Taladre y coloque el tornillo de la parte superior con precaución de no romper la cubierta plástica de la unidad. **No apriete en exceso.**
  - Inserte las lengüetas superiores y cierre la cubierta.
3. (Únicamente para las instalaciones estándar) Corra el cable de campana al motor a lo largo de la pared y el techo; use grapas con aislamiento en varios puntos a lo largo del cable para sujetarlo. Tenga cuidado de no perforar el cable al engrapararlo, creando así un corto circuito o un circuito abierto.
4. Pele 11 mm (7/16 pulg.) del aislamiento en un extremo del cable de campana. Conecte el cable a las terminales de conexión rápida de acuerdo a su color, como sigue: el blanco al blanco y el blanco/rojo al rojo.
5. Coloque el cable de la antena como se indica.
6. Use tachuelas o grapas para sujetar permanentemente la calcomanía de advertencia sobre el riesgo de quedar atrapado; esta calcomanía debe estar en la pared y cerca del control de la puerta. La calcomanía de advertencia de la prueba de retroceso de seguridad y liberación manual debe colocarse en un punto prominente del interior de la puerta de la cochera.

**NOTA:** NO conecte el abridor a la energía eléctrica ni lo haga funcionar en este momento. El trole hará el recorrido hasta llegar a la posición completamente abierta, pero no regresará a la posición cerrada hasta que el rayo del sensor esté conectado y alineado debidamente.



## ⚠️ ADVERTENCIA

Para evitar la posibilidad de una LESIÓN GRAVE o INCLUSO LA MUERTE por electrocución:

- Desconecte TODA la corriente eléctrica y de la batería ANTES de realizar CUALQUIER servicio o mantenimiento.

- Conecte el control SÓLO a cables de bajo voltaje de 24 VOLTIOS.

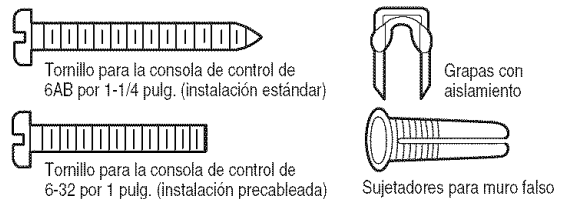
Para evitar la posibilidad de una LESIÓN GRAVE e INCLUSO LA MUERTE cuando la puerta de la cochera se está cerrando:

- Instale el control de la puerta de manera que quede a la vista desde la puerta de la cochera, fuera del alcance de los niños a una altura mínima de 1.5 m (5 pies), y alejado de las partes móviles de la puerta.
- NUNCA permita que los niños hagan funcionar o jueguen con los botones de control de la puerta ni con los transmisores de control remoto.
- Haga funcionar la puerta SÓLO si la puede ver claramente, si la puerta está debidamente ajustada, y si no hay ninguna obstrucción en su recorrido.
- SIEMPRE tenga a la vista la puerta de la cochera hasta que esté completamente cerrada. NUNCA permita que alguien se atraviese en el recorrido de la puerta de la cochera cuando se está cerrando.

### Conexiones para la Unidad de Control Exterior

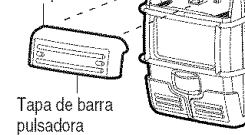
Conecte a las terminales de conexión rápida: el blanco al blanco; blanco/rojo al rojo.

### ESTAS PIEZAS SE MUESTRAN EN SU TAMAÑO REAL



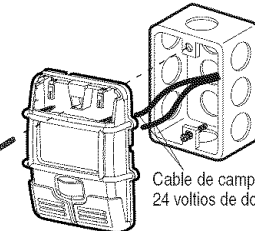
### QUITAR Y VOLVER A PONER LA TAPA

Para volver a ponerla, primero inserte las lengüetas superiores



Tapa de barra pulsadora

### INSTALACIÓN PRECABLEADA



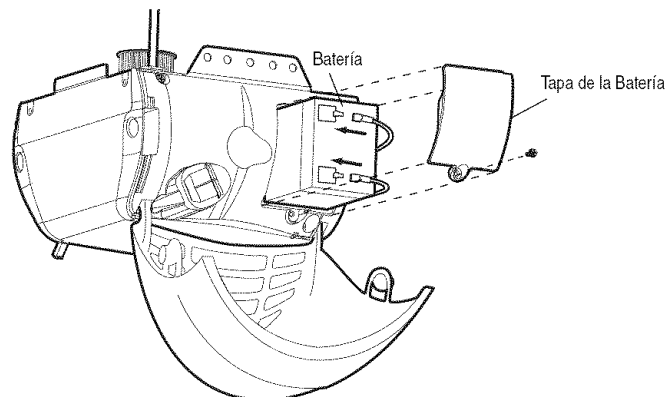
Cable de campana de 24 voltios de dos conductores



## INSTALACIÓN, PASO 7

### Instale la Batería

- Asegúrese de que la unidad de motor esté desenchufada.
- Quite la tapa de la batería de la unidad de motor usando un destornillador de cabeza Phillips.
- Introduzca parcialmente la batería en la unidad de motor con los terminales apuntando hacia afuera.
- Conecte los cables rojos (+) y negros (-) de la unidad de motor con los terminales correspondientes de la batería.
- Vuelva a colocar la tapa de la batería.



## INSTALACIÓN, PASO 8

### Instale las Luces

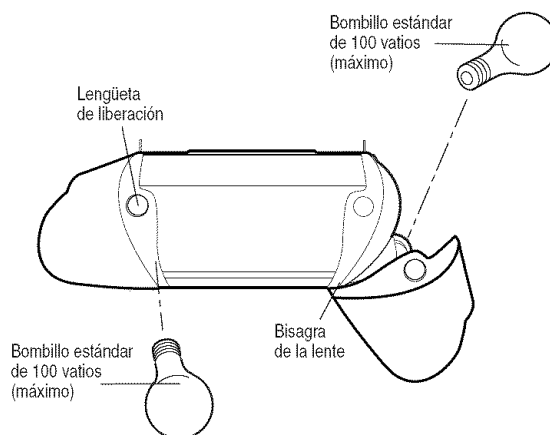
- Oprima las lengüetas de liberación a ambos lados de la lente. Rote la lente suavemente hacia atrás y hacia abajo hasta que la bisagra quede en la posición totalmente abierta. No quite la lente.
- Instale bombillos de hasta 100 vatios como máximo en cada portalámpara. En cuanto se conecte la electricidad, las luces se ENCENDERÁN y permanecerán encendidas por aproximadamente cuatro minutos y medio; luego las luces se APAGAN.
- Invierta el procedimiento para cerrar la lente.
- Si los bombillos se funden prematuramente debido a la vibración, use los bombillos para el abridor de puerta de cochera.

**NOTA:** Sólo utilice bombillos estándar. El uso de bombillos de cuello corto o especiales puede sobrecalentar el panel o la portalámpara.

### PRECAUCIÓN

Para evitar un posible SOBRECALENTAMIENTO del portabombillas:

- NO utilice bombillas de cuello corto ni de tipo especial.
- NO utilice bombillas halógenas. Utilice SÓLO bombillas incandescentes.



## INSTALACIÓN, PASO 9

### Instale la Manija y la Cuerda de Emergencia

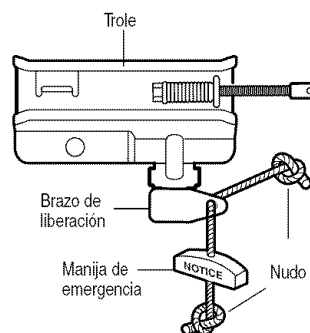
- Pase un extremo de la cuerda a través del orificio que se encuentra en la parte superior de la manija roja de manera que la palabra "NOTICE" (aviso) sea legible, como se indica en la ilustración. Asegúrela con un nudo por lo menos a 2.5 cm (1 pulg.) del extremo de la cuerda para evitar que se resbale.
- Pase el otro extremo de la cuerda a través del orificio del brazo de liberación del trole exterior.
- Ajuste el largo de la cuerda de tal manera que la manija quede a 1.83 m (6 pies) del piso. Haga un nudo para asegurarla. Para evitar que la cuerda o la manija se enganche en algo, asegúrese de que no toquen el techo de ningún vehículo.

**NOTA:** Si es necesario cortar la cuerda, queme con un cerillo o un encendedor el extremo que cortó para sellarla y evitar que se desenrede.

### ⚠ ADVERTENCIA

Para evitar la posibilidad de una LESIÓN GRAVE o INCLUSO LA MUERTE si la puerta de la cochera se cae:

- De ser posible, use la manija de emergencia para soltar el trole SÓLO cuando la puerta de la cochera esté CERRADA. Si los resortes están débiles o rotos, o bien si la puerta está desbalanceada, la puerta abierta podría caerse rápida y/o inesperadamente.
- NUNCA use la manija de emergencia a menos que la entrada a la cochera esté libre de obstrucciones y no haya ninguna persona presente.
- NUNCA use la manija para tirar de la puerta para abrirla o cerrarla. Si el nudo de la cuerda se suelta, usted podría caerse.

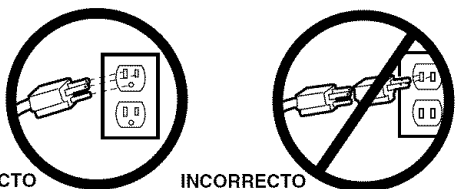


## INSTALACIÓN, PASO 10

### Requisitos para la Instalación Eléctrica

Para evitar dificultades con la instalación, no encienda ni use el abridor en este momento.

Para reducir el riesgo de choque eléctrico, su abridor para puerta de cochera viene con una clavija de conexión a tierra de tres patas. Esta clavija sólo se puede conectar a una toma de corriente puesta a tierra y con tres entradas. Si la clavija no entra en la toma de corriente que usted tiene, diríjase a un electricista profesional para que le instale la toma de corriente correcta.



Si la reglamentación local exige que su abridor tenga cableado permanente, siga los siguientes pasos.

Para conectar el abridor a la corriente eléctrica de forma permanente a través del orificio de 7/8 pulg. localizado en la parte superior del motor:

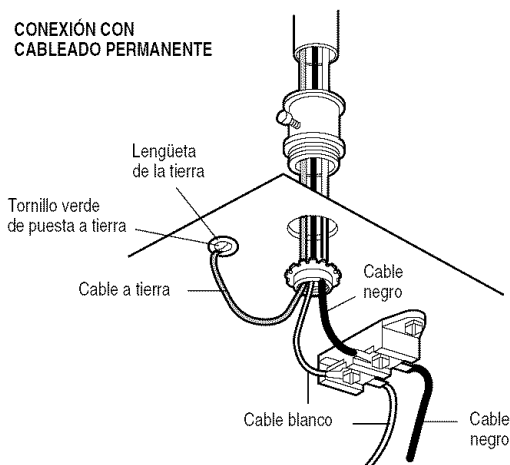
- Quite los tornillos de la cubierta de la unidad del motor y deje la cubierta a un lado.
- Quite el cable de tres entradas.
- Conecte el cable negro (línea) al tornillo de la terminal de cobre, el cable blanco (neutral) al tornillo de la terminal color plata, y el cable verde (tierra) al tornillo verde de la puesta a tierra. **El abridor debe estar puesto a tierra.**
- Vuelva a poner la cubierta en su lugar y atorníllela.

Para evitar dificultades con la instalación, no encienda ni use el abridor en este momento.

## ⚠ ADVERTENCIA

Para evitar la posibilidad de una LESIÓN GRAVE o INCLUSO LA MUERTE por electrocución o incendio:

- Cerciórese de que el abridor no esté conectado a la energía eléctrica, y desconecte la alimentación eléctrica al circuito ANTES de quitar la cubierta para establecer la conexión del cableado permanente.
- Tanto la instalación como el cableado de la puerta de cochera DEBEN cumplir con TODOS los códigos locales de construcción y eléctricos.
- NUNCA use una extensión ni un adaptador de dos hilos, tampoco modifique la clavija para poder enchufarla. Asegúrese de que el abridor esté puesto a tierra.



## INSTALACIÓN, PASO 11

### Instale La Sistema de Protección®

El sensor del sistema de retroceso de seguridad debe estar instalado y alineado correctamente, antes de que el abridor de la puerta de cochera mueva la puerta hacia abajo.

#### INFORMACIÓN IMPORTANTE CON RESPECTO AL SENSOR DEL SISTEMA DE RETROCESO DE SEGURIDAD

Si se instala y se alinea correctamente, el sensor del sistema de retroceso de seguridad detectará cualquier obstáculo que se cruce en el recorrido del rayo electrónico. El ojo emisor (el que tiene la luz indicadora de color ámbar) envía un rayo electrónico invisible al ojo receptor (el que tiene la luz indicadora de color verde).

Si algún objeto obstruyera este rayo invisible mientras la puerta se está cerrando, la puerta se detendrá automáticamente, retrocederá hasta abrirse por completo, y la luz del abridor parpadeará diez veces.

Estos sensores se deben instalar en el interior de la cochera de manera que el ojo emisor y el ojo receptor estén uno frente al otro a ambos lados de la puerta y a una distancia máxima de 15 cm (6 pulg.) del piso. Ambos sensores se pueden instalar en cualquiera de los dos lados de la puerta, ya sea el derecho o el izquierdo, siempre y cuando nunca le dé el sol directamente a la lente del ojo receptor.

## ⚠ ADVERTENCIA

Cerchiórese de que la energía eléctrica no esté conectada al abridor de la puerta de la cochera ANTES de instalar el sensor del sistema de retroceso de seguridad.

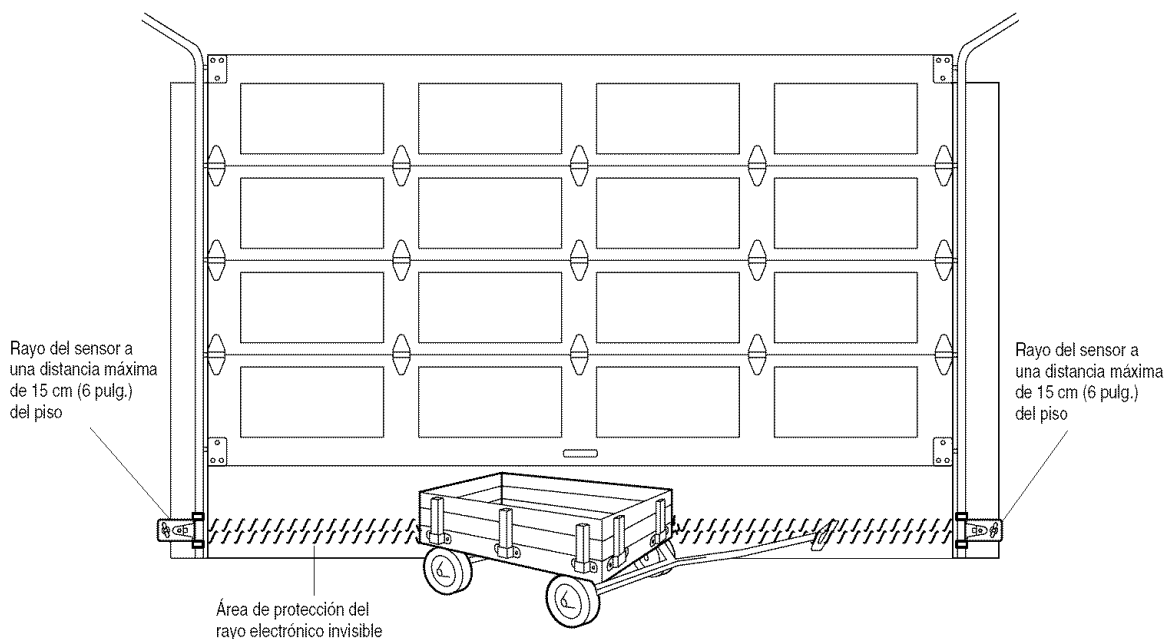
Para evitar una LESIÓN GRAVE o INCLUSO LA MUERTE cuando la puerta de la cochera se está cerrando:

- Conecte y alinee correctamente el sensor del sistema de retroceso de seguridad. Este dispositivo de seguridad es necesario y NO SE DEBE desactivar.
- Instale el sensor del sistema de retroceso de seguridad de manera que el rayo NO ESTÉ a más de 15 cm (6 pulg.) del piso.

Las ménsulas para la instalación han sido diseñadas para que se sujeten directamente al carril de la puerta, sin la necesidad de tornillería ni piezas adicionales.

Si es necesario instalar las unidades sobre la pared, asegúrese de que todas las ménsulas estén sujetas a una superficie sólida, por ejemplo, uno de los soportes de la pared. Las ménsulas de extensión están disponibles, si se necesitan (vea la sección de accesorios). Si va a instalar los sensores sobre ladrillo o mampostería, use un pedazo de madera para evitar hacer orificios innecesarios sobre la mampostería en caso que necesite cambiarlos de lugar.

El trayecto del rayo electrónico invisible debe estar libre de cualquier obstrucción. Ninguna de las partes de la puerta (los carriles, resortes, bisagras, rodillos, u otras piezas o tornillería) debe interrumpir el rayo cuando la puerta se esté cerrando.



Vista de la puerta desde el interior de la cochera

## INSTALACIÓN DE LAS MÉNSULAS

Asegúrese de que el abridor no esté conectado a la corriente eléctrica.

Instale y alinee las ménsulas de manera que los sensores estén uno frente al otro en los lados opuestos de la puerta, a una distancia máxima de 15 cm (6 pulg.) del piso. Instale las ménsulas de una de las tres maneras siguientes:

### Instalación en el carril de la puerta de la cochera (recomendada):

- Deslice los brazos curvos sobre la orilla redondeada de cada uno de los carriles de la puerta, con los brazos curvos apuntando hacia la puerta. Colóquelos en su posición contra el costado del carril. Debe quedar ras, con el reborde pegado a la orilla posterior del carril, como se ilustra en la Figura 1.

Si el carril de su puerta no soporta la ménsula firmemente, se recomienda que la instale sobre la pared.

### Instalación en la pared (Figura 2 y 3):

- Coloque la ménsula contra la pared con los brazos curvos apuntando hacia la puerta. Cerciórese de que haya suficiente espacio para que el rayo del sensor no esté obstruido.
- Si es necesario tener más profundidad, puede usar ménsulas de extensión (Vea Accesorios) o bloques de madera.
- Use los orificios de montaje de la ménsula para marcar y taladrar los (2) orificios de 3/16 de pulgada de diámetro a cada lado de la puerta a una distancia máxima de 15 cm (6 pulg.) del piso.
- Fije la ménsula a la pared con tornillos de cabeza cuadrada (no se incluyen).
- Si está usando ménsulas de extensión o bloques de madera por la falta de espacio, asegúrese de que las dos unidades queden a la misma distancia de la superficie de montaje. Asimismo, asegúrese de que no haya ninguna obstrucción.

### Instalación en el piso (Figura 4):

- Use bloques de madera o ménsulas de extensión (Vea Accesorios) para elevar las ménsulas de los sensores de manera que las lentes queden a una distancia máxima de 15 cm (6 pulg.) del piso.
- Cuidadosamente mida e instale las unidades derecha e izquierda a la misma distancia con respecto a la pared. Asegúrese de que no haya ninguna obstrucción.
- Fije al piso las ménsulas para los sensores con los sujetadores para cemento, como se muestra en la ilustración.



Figura 1 INSTALACIÓN EN EL CARRIL DE LA PUERTA (LADO DERECHO)

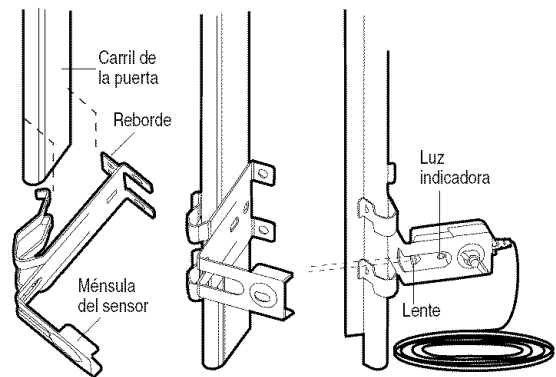


Figura 2

INSTALACIÓN EN LA PARED (LADO DERECHO)

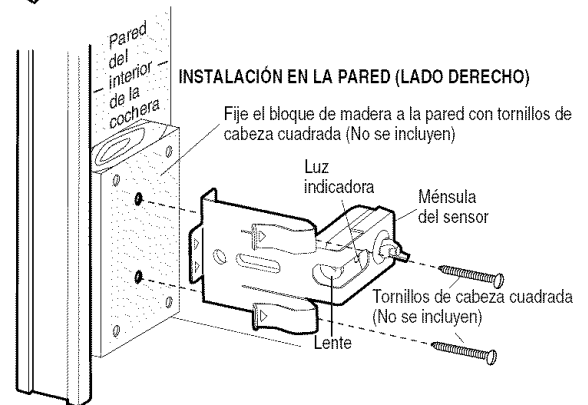


Figura 3

INSTALACIÓN EN LA PARED (LADO DERECHO)

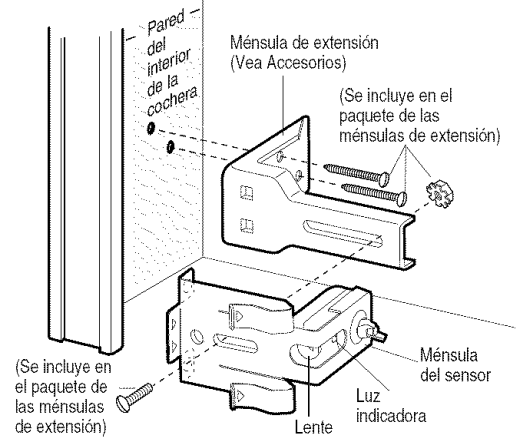
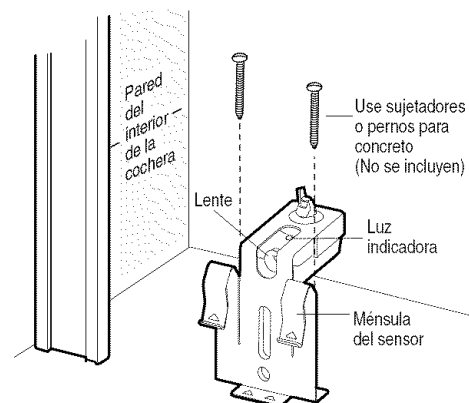


Figura 4

INSTALACIÓN EN EL PISO (LADO DERECHO)



## MONTAJE Y CABLEADO DE LOS SENSORES DEL SISTEMA DE SEGURIDAD DE REVERSA

- Deslice la cabeza de un perno de coche de 1/4-20x1/2 de pulgada dentro de la ranura de los sensores. Use tuercas de mariposa para sujetar los sensores a las ménsulas, con las lentes de cada sensor frente a frente a ambos lados de la puerta. Cerciórese de que la extensión de la ménsula no obstruya las lentes (Figura 5).
- Apriete las tuercas de mariposa a mano.
- Lleve los cables de los dos sensores al abridor. Utilice grapas con aislamiento para sujetar el cable a la pared y al cielo raso.
- Pele 11 mm (7/16 pulg.) del aislamiento en cada juego de cables. Separe los alambres blanco y blanco/negro lo suficiente para que pueda conectarlos a las terminales de conexión rápida del abridor, de la forma siguiente. Tuerza juntos los cables del mismo color. Inserte los cables en los orificios de conexión rápida: el blanco al blanco y el blanco/negro al gris (Figura 6).

### CÓMO ALINEAR LOS SENSORES DE SEGURIDAD DE REVERSA

- Conecte el abridor; las luces del *sensor emisor* y del *sensor receptor* se deben de *encender y permanecer encendidas* si todas las conexiones del cableado y la alineación se han hecho correctamente.

La luz ámbar del *sensor que emite el rayo* se encenderá aunque esté obstruido o fuera de alineación, pero si la luz verde del *sensor receptor* del rayo está apagada, parpadea o se ve baja, (y no hay ninguna obstrucción en el recorrido del rayo de luz invisible), será necesario alinearlos.

- Afloje la tuerca de mariposa del *sensor emisor* y reajuste el *sensor*. Apunte directamente al otro *sensor* y apriete la tuerca de mariposa.
- Afloje la tuerca de mariposa del *sensor receptor* del rayo, y reajuste hasta que reciba el rayo del *sensor emisor*. Una vez que la luz verde brille continuamente, apriete la tuerca de mariposa.

Figura 6

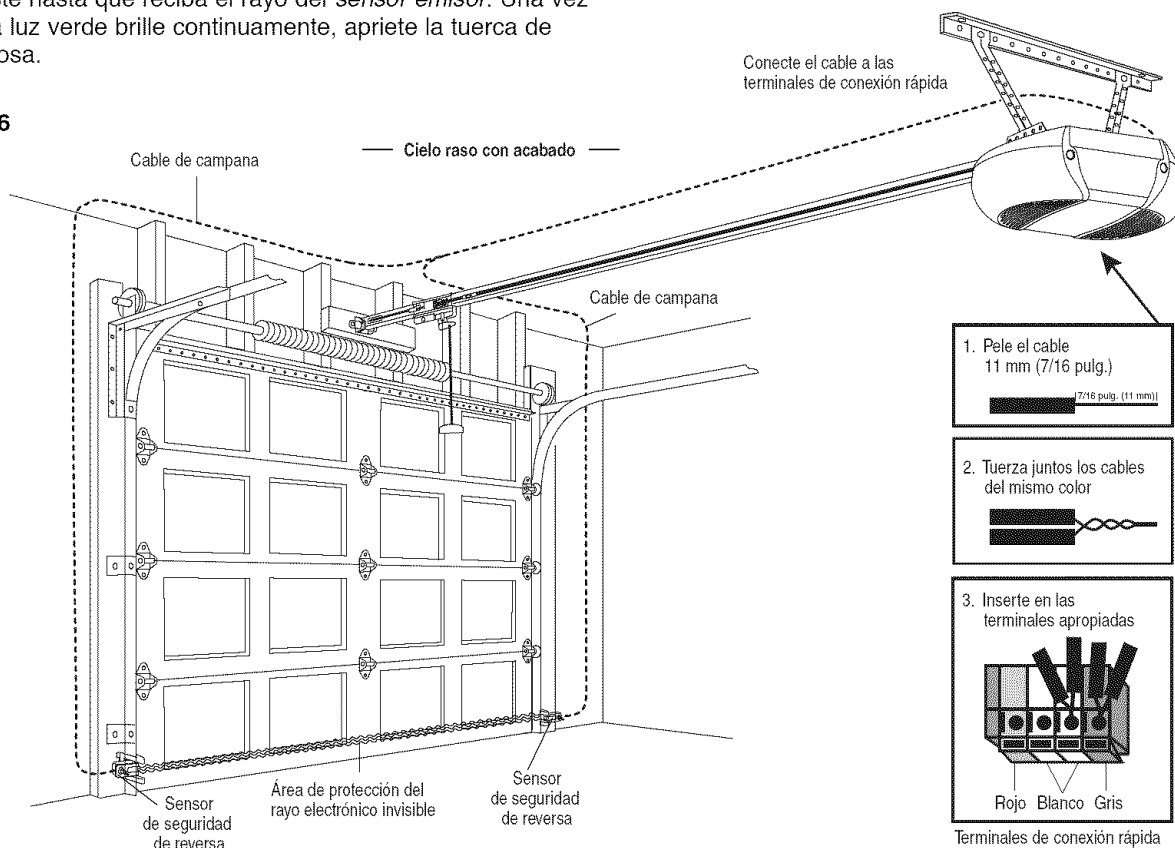
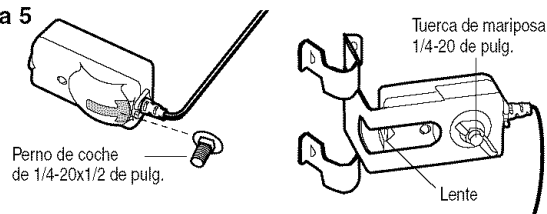


Figura 5



### DIAGNÓSTICO DE FALLAS CON RESPECTO A LOS SENSORES DEL SISTEMA DE SEGURIDAD DE REVERSA

1. Si la luz verde del *sensor* que emite el rayo no permanece encendida después de la instalación, verifique lo siguiente:
  - El suministro de corriente eléctrica al abridor.
  - Que haya un corto circuito en alguno de los cables, ya sea el blanco, o el blanco/negro. Esto ocurre frecuentemente donde hay alguna grapa.
  - Algún error en la conexión de los cables de los sensores al abridor.
  - Algún cable roto.
2. Si la luz indicadora del *sensor que emite el rayo* enciende y permanece encendida, pero la luz del otro *sensor* no enciende:
  - Verifique que estén correctamente alineados.
  - Verifique que no haya un alambre roto en el cable del *sensor receptor*.
3. Si la luz indicadora del *sensor receptor* está débil o baja, verifique la alineación de los sensores.

**NOTA:** Si la trayectoria del rayo invisible se ve obstruida o está fuera de alineación, al tratar de cerrar la puerta ésta se abrirá automáticamente. Si la puerta está abierta, simplemente no se podrá cerrar, y las luces de abridor parpadearán diez veces. Vea la página 20.

## INSTALACIÓN, PASO 12

### Fije la Ménsula de la Puerta

Siga las instrucciones que correspondan al tipo de puerta de cochera que usted tenga, como se muestra en la ilustración o en la página siguiente.

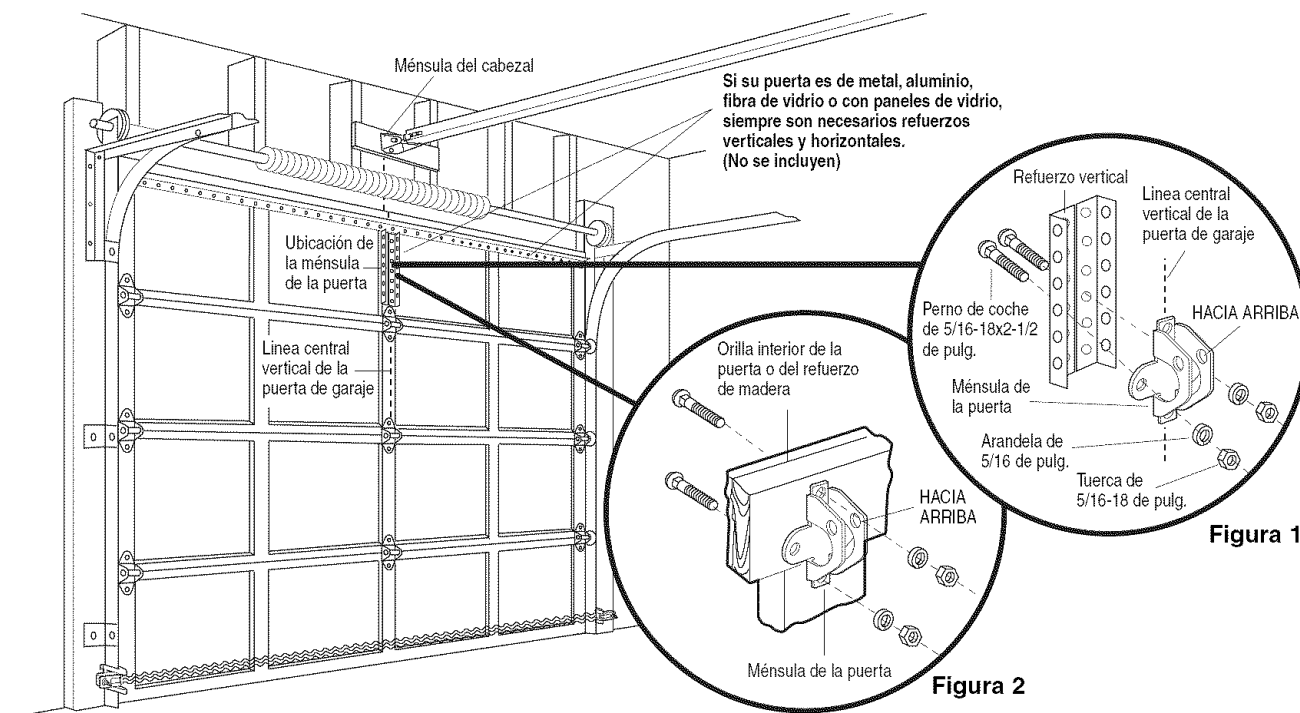
Si usa un puntal horizontal, éste debe ser lo suficientemente largo para sujetarlo a dos soportes verticales. Si usa un puntal vertical, éste debe ser de la altura del panel superior.

La ilustración muestra una pieza de hierro en ángulo como puntal horizontal. Para el puntal vertical se deben usar dos piezas de hierro en ángulo con objeto de crear un soporte en "U" (Figura 1). La mejor solución es ponerse en contacto con la compañía fabricante de la puerta de su cochera e informarse acerca de los juegos de refuerzos de puertas para la instalación de un abridor.

**NOTA:** Muchas de las instalaciones con soporte o puntal vertical toman en cuenta la instalación directa de los pasadores de chaveta y el brazo de la puerta. En este caso, no necesitará instalar la ménsula para la puerta; proceda al Paso 13.

### PUERTAS SECCIONALES

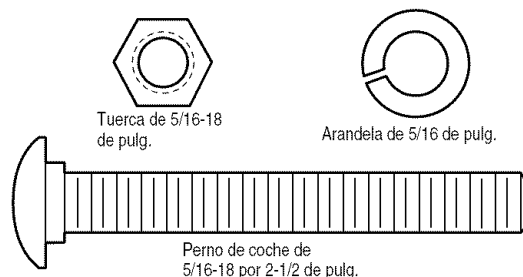
1. Coloque la ménsula para la puerta sobre la línea central vertical que había marcado previamente para la instalación de la ménsula del cabezal. Asegúrese de que la leyenda "UP" (arriba) esté en la posición correcta, como está indicado en la parte interior de la ménsula (Figura 2).
2. Coloque la ménsula sobre la parte frontal de la puerta, dentro de los límites siguientes:
  - El borde superior de la ménsula 5-10 cm (2-4 pulg.) debajo del borde superior de la puerta.



## PRECAUCIÓN

En el caso de puertas de fibra de vidrio, aluminio o acero ligero, **ES NECESARIO** colocar un refuerzo ANTES de instalar el marco de la puerta. Póngase en contacto con el fabricante de su puerta para obtener un kit de refuerzo.

ESTAS PIEZAS SE MUESTRAN EN SU TAMAÑO REAL



- La orilla superior de la ménsula debe estar directamente debajo de algún soporte de la estructura a lo largo de la parte superior de la puerta.
- Marque y taladre dos orificios de 5/16 pulg. para los sujetadores a la derecha y a la izquierda. Sujete la ménsula al refuerzo vertical (si éste existe), como se muestra en la Figura 1.

Si el tipo de instalación de su cochera no requiere refuerzos verticales, pero sí necesita los orificios para los sujetadores de la ménsula, taladre y fíjelos como se muestra en la Figura 2.

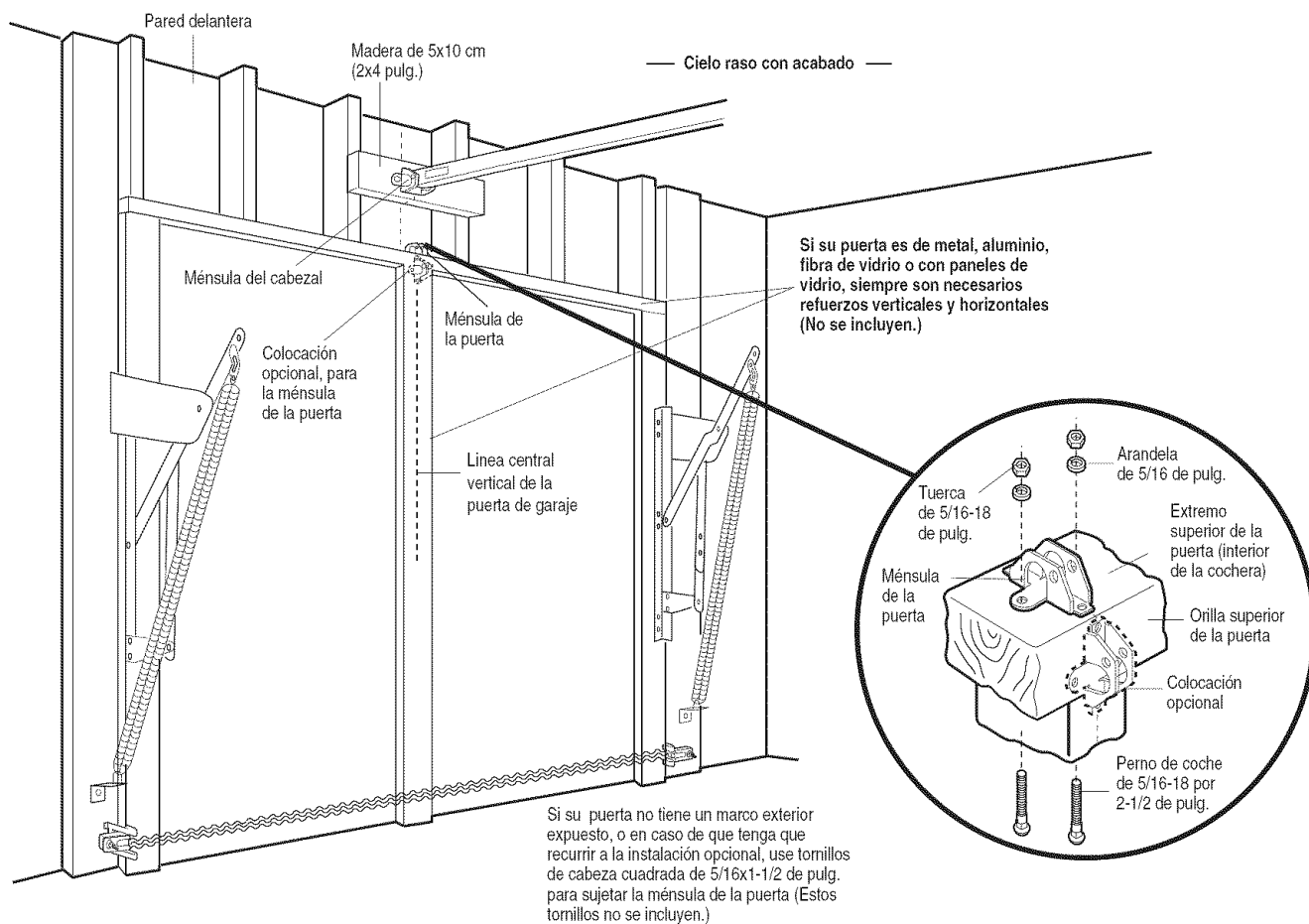
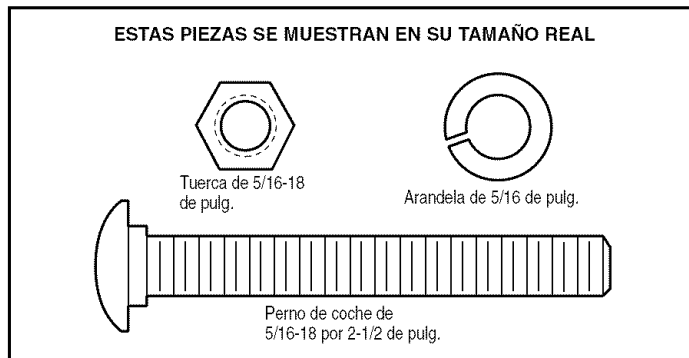
## PUERTAS DE UNA SOLA PIEZA

Lea y respete todas las advertencias e instrucciones respecto a los refuerzos, contenidas en la página anterior, Instalación de puertas seccionales, ya que todos los refuerzos para su puerta de una sola pieza son los mismos.

- Coloque la ménsula de la puerta en el centro de la parte superior de la misma, alineada con la ménsula del cabezal, según se indica en la ilustración. Marque ya sea los orificios derecho e izquierdo o superior y inferior.
- Taladre los orificios piloto de 5/16 de pulg. y sujete la ménsula con la tornillería que se incluye.

Si la puerta no tiene un marco exterior expuesto, taladre dos orificios de 3/16 de pulg. y sujete la ménsula a la parte superior de la puerta con tornillos de cabeza cuadrada de 5/16x1-1/2 de pulg. (no se incluyen).

**NOTA:** La ménsula para la puerta puede ser instalada sobre la orilla superior de la puerta si es necesario para su instalación en particular. (Vea la ilustración de colocación opcional, señalada con la línea punteada). Taladre dos orificios de 3/16 de pulg. y sujete la ménsula a la parte superior de la puerta con tornillos de cabeza cuadrada de 5/16x1-1/2 de pulgadas (no se incluyen).



# INSTALACIÓN, PASO 13

## Conecte el Brazo de la Puerta al Trole

Siga las instrucciones que correspondan al tipo de puerta de cochera que usted tenga, como se muestra a continuación y en la página siguiente.

### SÓLO PARA PUERTAS SECCIONALES

- Cerciórese de que la puerta de la cochera esté completamente cerrada. Tire de la manija de emergencia para desconectar el trole exterior del trole interior. Deslice el trole exterior hacia atrás (en dirección opuesta a la polea) por lo menos 20 cm (8 pulg.) como se indica en las Figuras 1, 2 y 3.

#### • Figura 1:

- Fije la sección recta del brazo de la puerta al trole exterior usando un pasador de chaveta de 5/16x1 pulg. Asegure la conexión con el anillo sujetador.
- Fije la sección curva del brazo a la ménsula de la puerta de la misma manera, con un pasador de chaveta de 5/16 por 1-1/4 de pulg.

#### • Figura 2:

- Junte las dos secciones del brazo, localizando dos pares de orificios que se puedan alinear. Seleccione dos orificios que estén tan separados como sea posible para aumentar la rigidez del brazo de la puerta.

#### • Figura 3, Opciones para alinear los orificios:

- En caso de que los orificios del brazo curvo no se puedan alinear con los orificios del brazo recto, desconecte el brazo recto y corte aproximadamente 15 cm (6 pulg.) del extremo que no tiene orificios. Vuelva a conectarlo al trole, con el extremo cortado hacia abajo, como se muestra.
  - Junte las dos secciones de los brazos.
  - Localice dos pares de orificios de ambas secciones que se puedan alinear y únalos con tornillos, arandelas y tuercas.
- Tire de la manija de emergencia hacia el abridor en un ángulo de 45 grados, de manera que el brazo de liberación del trole esté en posición horizontal. Proceda a la sección de Ajustes, Paso 1, en la página 27. El trole volverá a estar listo automáticamente, cuando se opere el abridor.

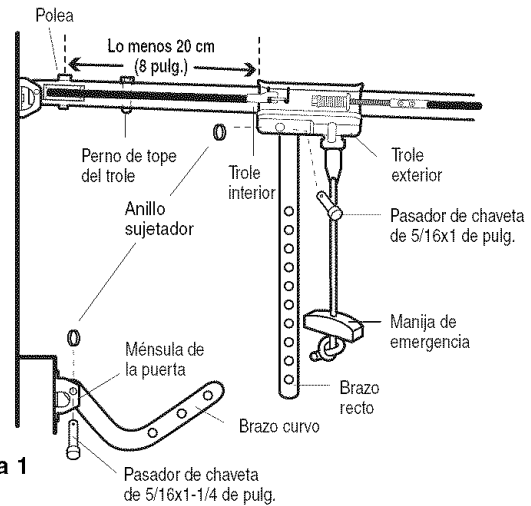


Figura 1

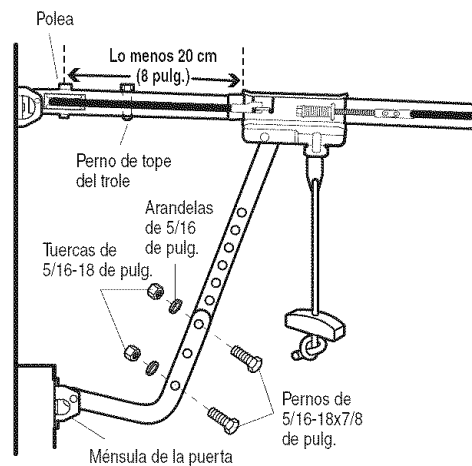


Figura 2

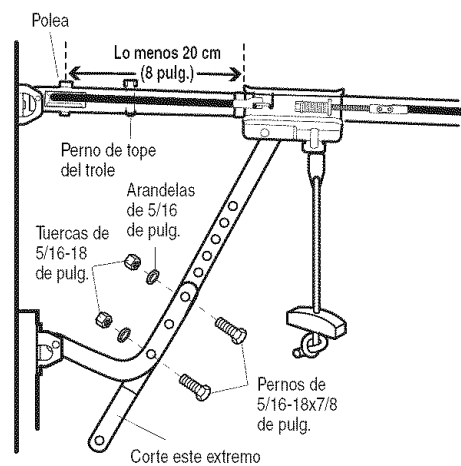
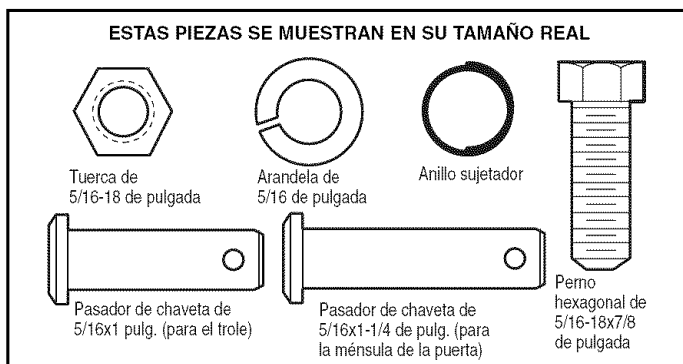


Figura 3





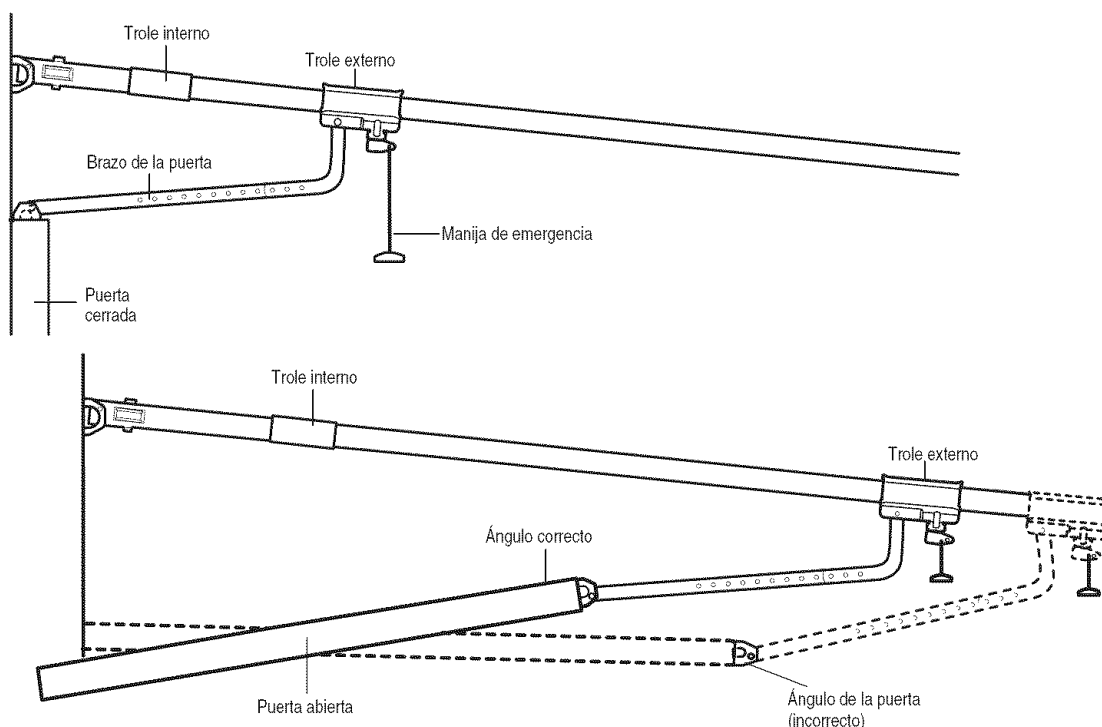
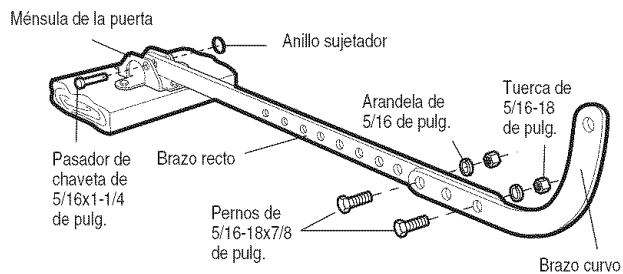
## TODAS LAS PUERTAS DE UNA SOLA PIEZA

### 1. Arme el brazo de la puerta:

- Sujete las dos secciones de los brazos de la puerta (recto y curvo) a la mayor distancia posible, de manera que dos o tres de los orificios se sobrepongan uno al otro.
- Cierre la puerta y fije la sección recta del brazo a la ménsula de la puerta con el pasador de chaveta de 5/16x1-1/4 de pulgada.
- Asegúrelos con un anillo sujetador.
- Tire hacia abajo de la manija de separación de emergencia, desconectando el trole externo del trole interno y deslice el trole externo hacia la unidad del motor.
- Conecte la sección curvada del brazo de la puerta a la puerta usando la clavija horquilla de 5/16x1-1/4 de pulg. y sujetador anular.

**NOTA** Ajuste los límites en la página siguiente:

- El trole se conecta automáticamente. Si no, consultar la característica de traba del trole en la página 32.
- Al establecer el límite hacia arriba como se indica en la página siguiente, la puerta no debe tener una inclinación "hacia atrás" cuando esté totalmente abierta, como se ilustra abajo. Una ligera inclinación hacia atrás ocasionará que la puerta se pandee innecesariamente y/o que la operación no sea uniforme al abrir o cerrar la puerta desde la posición totalmente abierta.

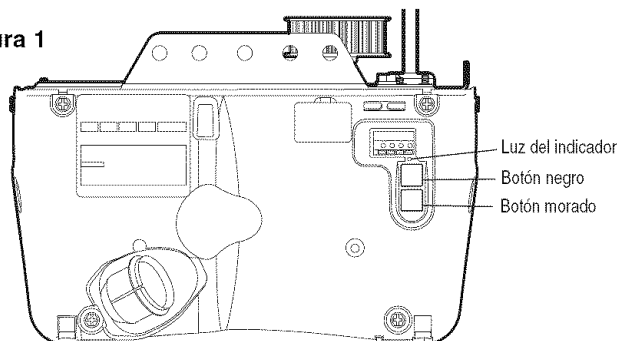


## AJUSTES PASO 1

### Programar los límites de recorrido

Los límites de recorrido regulan los puntos en que la puerta debe parar cuando se desplaza hacia arriba o hacia abajo. Siga los pasos indicados a continuación para ajustar los límites.

Figura 1



#### Para programar los límites de desplazamiento:

Ajuste la posición de la puerta usando los botones de color negro y morado. El negro mueve la puerta hacia ARRIBA (la abre) y el morado mueve la puerta hacia ABAJO (la cierra).

1. **Fijación de la posición ARRIBA:** Oprima sin soltar el botón negro hasta que la luz indicadora amarilla empiece a destellar lentamente y después suéltelo.
2. Oprima sin soltar el botón negro hasta que la puerta alcance la posición ARRIBA (abierta) deseada (Figura 2).

**NOTA:** Compruebe para asegurarse de que la puerta se abra lo suficiente para su vehículo.

3. Oprima el control remoto o la consola de control (Figura 3). Esto fija el límite de ARRIBA (apertura) y empieza a cerrar la puerta.

**NOTA:** El movimiento excesivo de la unidad de motor causará un desgaste prematuro. Vea la sección de Resolución de problemas.

4. Inmediatamente cuando la puerta empiece a moverse hacia abajo, oprima y suelte el botón negro o morado. Esto detendrá la puerta.
5. **Fijación de la posición ABAJO:** Oprima sin soltar el botón morado hasta que la puerta alcance la posición ABAJO (cerrada) deseada (Figura 4).
6. Una vez que se cierre la puerta, si parece que hay mucha presión en la puerta, puede mover la puerta hacia uno y otro lado usando los botones negro y morado para alcanzar la posición cerrada deseada.
7. Oprima el control remoto o la consola de control (Figura 3). Esto fija el límite de ABAJO (cierre) y debe poner la puerta en la posición abierta.
  - Si el abridor no se detiene exactamente donde desea, repita los pasos 1 a 8 y vuelva a programar los límites.
  - Cuando la unidad se detenga en las posiciones deseadas subida (abierta) y bajada (cerrada), vaya al *paso 2 de Ajuste, Fijación de la fuerza.*

## ADVERTENCIA

Si el sistema de retroceso de seguridad no se ha instalado debidamente, las personas (y los niños pequeños en particular) podrían sufrir LESIONES GRAVES o INCLUSO LA MUERTE cuando se cierra la puerta de la cochera.

- El ajuste incorrecto de los límites del recorrido de la puerta de la cochera interferirá con la operación adecuada del sistema de retroceso de seguridad.
- NUNCA use los ajustes de la fuerza para compensar si la puerta del garaje se atasca o se atora.
- Después de llevar a cabo CUALQUIER ajuste, SE DEBE probar el sistema de retroceso de seguridad. La puerta DEBE retroceder al entrar en contacto con un objeto de 3.8 cm (1-1/2 de pulg.) de altura (o bien un pedazo de madera de 5x10 cm (2x4 pulg.) acostado) en el piso.

## PRECAUCIÓN

Para evitar que los vehículos sufran daños, cerciórese de que cuando la puerta esté completamente abierta haya espacio suficiente.

Figura 2

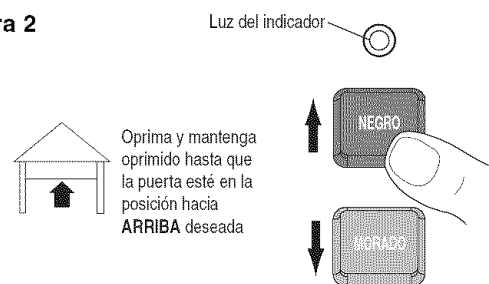


Figura 3

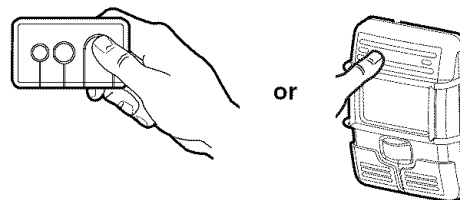
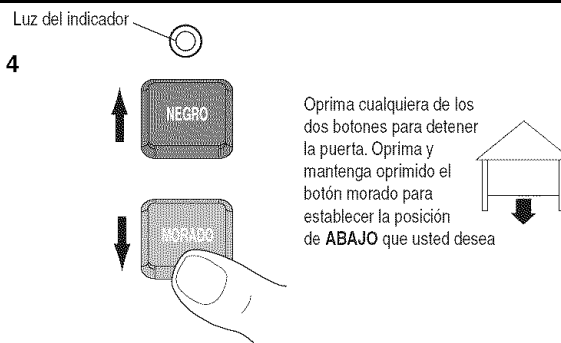


Figura 4



## AJUSTES PASO 2

### Ajustar la fuerza

El botón de ajuste de la fuerza se encuentra en el panel trasero de la unidad del motor. El ajuste de fuerza medida la cantidad de potencia que se requiere para abrir y cerrar la puerta.

1. Ubique el botón morado en el panel trasero de la unidad (Figura 1).
2. Oprima el botón morado una vez para que la unidad entre en modo Ajuste de la fuerza (Figura 2). El LED (luz del indicador) parpadeará rápidamente.
3. Oprima el botón del control remoto o el control de la puerta (Figura 3). La puerta se desplazará hasta la posición hacia ABAJO (cerrada). Oprima el botón del control remoto o el control de la puerta otra vez para que la puerta se desplace hasta la posición hacia ARRIBA (abierta). Oprima el botón del control remoto o el control de la puerta por tercera vez para que la puerta alcance la posición hacia ABAJO (cerrada).

El LED (luz del indicador) dejará de parpadear cuando la unidad haya aprendido el ajuste de fuerza.

La unidad habrá aprendido las fuerzas necesarias para abrir y cerrar la puerta.

La puerta debe pasar por un ciclo completo hacia ARRIBA y hacia ABAJO para que la fuerza se establezca correctamente. Si la unidad no puede abrir y cerrar la puerta por completo, inspeccione la puerta para asegurarse de que esté correctamente equilibrada y que no se atasque ni se atore. Vea la página 3, Preparación de la puerta del garaje.

## ⚠ ADVERTENCIA

Si el sistema de retroceso de seguridad no se ha instalado debidamente, las personas (y los niños pequeños en particular) podrían sufrir LESIONES GRAVES o INCLUSO LA MUERTE cuando se cierra la puerta de la cochera.

- El ajuste incorrecto de los límites del recorrido de la puerta de la cochera interferirá con la operación adecuada del sistema de retroceso de seguridad.
- NUNCA use los ajustes de la fuerza para compensar si la puerta del garaje se atasca o se atora.
- Después de llevar a cabo CUALQUIER ajuste, SE DEBE probar el sistema de retroceso de seguridad. La puerta DEBE retroceder al entrar en contacto con un objeto de 3.8 cm (1-1/2 de pulg.) de altura (o bien un pedazo de madera de 5x10 cm (2x4 pulg.) acostado) en el piso.

Figura 1

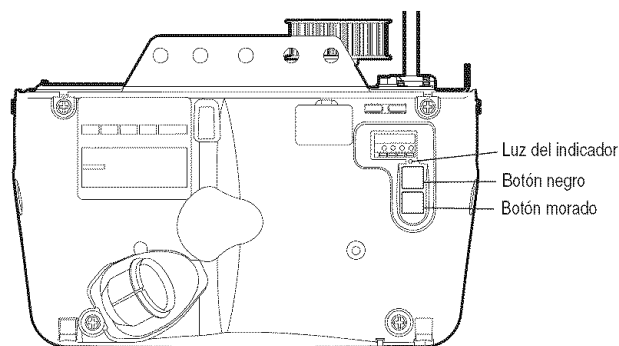


Figura 2

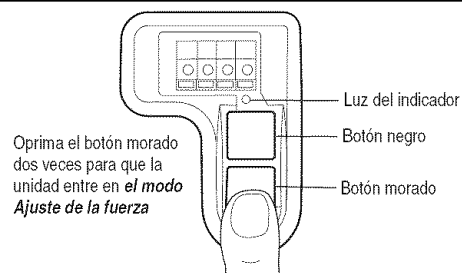
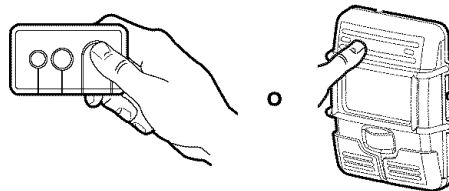


Figura 3



## AJUSTES, PASO 3

### Pruebe el sistema de reversa de seguridad

#### PRUEBA

- Abra completamente la puerta, coloque un pedazo de madera de 3.8 cm (o un tablón de madera de 2x4 pulg.) acostado sobre el piso al centro de la puerta del garaje.
- Opere la puerta en la dirección hacia abajo. La puerta **deberá** entrar en reversa automáticamente al hacer contacto con la obstrucción. *Cuando logre ejecutar la prueba del sistema de reversa con éxito, siga con Ajustes paso 4.*

#### AJUSTE

- Si la puerta se detiene al toparse con la obstrucción, esto significa que el recorrido HACIA ABAJO (cerrar) no es suficiente. *Termine los pasos de progresión 1 y 2 del ajuste que programan los límites y las fuerzas.*

**NOTA:** Si su puerta es seccional, asegúrese de que los ajustes al límite no hagan que el brazo de la puerta se mueva más allá de una posición recta hacia arriba y hacia abajo. Vea Figura 3, de la página 25.

- Repita la prueba.
- Si la puerta retrocede automáticamente al hacer contacto con el pedazo de madera de 3.8 cm, quite la obstrucción y abra y cierre la puerta completamente por lo menos cuatro o cinco veces para verificar que el ajuste sea adecuado.
- Si la unidad aún no pasa la prueba del sistema de reversa, llame a un técnico especializado en sistemas de apertura de puertas.

#### VERIFICACIÓN IMPORTANTE DE SEGURIDAD:

Pruebe del sistema de reversa de seguridad después de que:

- Se hagan ajustes al largo del brazo de la puerta, los límites del recorrido, o los controles de la fuerza.
- Se hagan reparaciones o ajustes a la puerta del garaje (incluyendo los resortes y la pernería).
- Se hagan reparaciones al piso del garaje porque está desnivelado, etc.
- Se hagan reparaciones o ajustes al abre-puertas.

## AJUSTES, PASO 4

### Prueba la Sistema de Protección®

- Abra la puerta con el control remoto.
- Coloque en el piso la caja en la que vino embalado el abre-puertas, adonde interfiera con el recorrido de la puerta.
- Comande el cierre de la puerta con el control remoto. La puerta no se moverá más de 2.5 cm (1 pulgada) y la luz del abre-puertas comenzará a destellar.

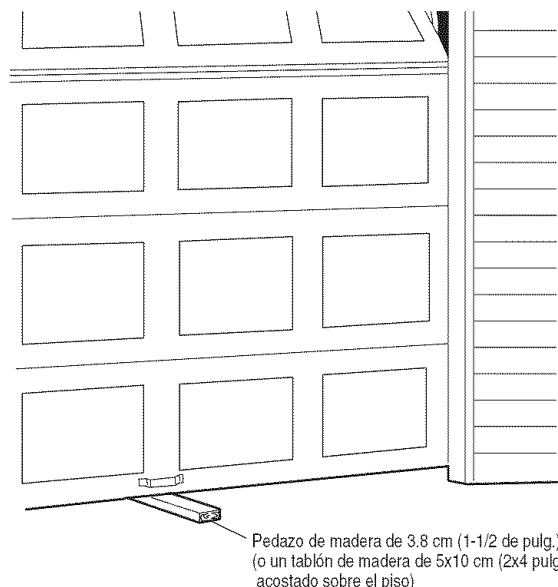
El abre-puertas no ejecutará el cierre con comando remoto si la luz indicadora de cualquiera de los sensores de seguridad estuviera apagada (advirtiendo al usuario que los sensores están desalineados o hay una obstrucción).

**Si el abre-puertas comanda el cierre de la puerta con una obstrucción presente (y los sensores de seguridad no están instalados a más de 15 cm (6 pulgadas) de altura sobre el piso), llame a un técnico especializado para reparar este problema.**

## ⚠ ADVERTENCIA

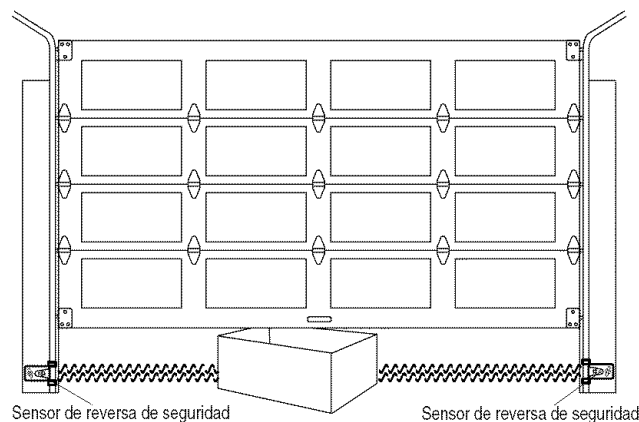
Si el sistema de reversa de seguridad no se ha instalado debidamente, las personas (y los niños pequeños en particular) podrían sufrir LESIONES GRAVES O INCLUSO LA MUERTE cuando se cierre la puerta del garaje.

- El sistema de reversa de seguridad SE DEBE probar cada mes.
- Después de llevar a cabo cualquier ajuste, SE DEBE probar el sistema de reversa de seguridad. La puerta DEBE retroceder al entrar en contacto con un objeto de 3.8 cm (1-1/2 de pulg.) de altura (o un tablón de madera de 2x4 pulg.) acostado en el piso.



## ⚠ ADVERTENCIA

Si el sistema de auto-reversa de seguridad no se ha instalado debidamente, las personas (y los niños pequeños en particular) podrían sufrir accidentes GRAVES o FATALES cuando se cierre la puerta del garaje.



**INSTRUCCIONES IMPORTANTES DE SEGURIDAD****⚠️ ⚠️ ADVERTENCIA****Para reducir el riesgo de LESIONES GRAVES o LA MUERTE:**

1. LEA Y SIGA TODAS LAS ADVERTENCIAS Y LAS INSTRUCCIONES DE OPERACIÓN.
2. SIEMPRE conserve los controles remotos fuera del alcance de los niños. NUNCA permita que los niños operen o jueguen con los botones del control de la puerta de la cochera ni con los controles remotos.
3. SÓLO active la puerta de la cochera siempre y cuando la pueda ver con claridad, esté debidamente ajustada y no haya ninguna obstrucción en el recorrido de la puerta al cerrarse.
4. SIEMPRE tenga la puerta de la cochera a la vista hasta que esté completamente cerrada. NADIE DEBE ATRAVESAR EL RECORRIDO DE LA PUERTA CUANDO ESTÁ EN MOVIMIENTO.
5. NADIE DEBE PASAR POR DEBAJO DE LA PUERTA SI ESTÁ DETENIDA Y PARCIALMENTE ABIERTA.
6. De ser posible, use la liberación de emergencia para soltar el trole SÓLO cuando la puerta de la cochera esté CERRADA. Si los resortes están débiles o rotos, o bien si la puerta está desbalanceada, puede que la puerta se caiga rápida y/o inesperadamente cuando esté abierta.
7. NUNCA use la manija de liberación de emergencia a menos que la entrada a la cochera esté libre de obstrucciones y no haya ninguna persona presente.
8. NUNCA use la manija para tirar de la puerta para abrirla o cerrarla. Si el nudo de la cuerda se suelta, usted podría caerse.
9. Si ajusta uno de los controles (límites de la fuerza o del recorrido), es posible que sea necesario ajustar también el otro control.
10. Después de llevar a cabo CUALQUIER ajuste, SE DEBE probar el sistema de retroceso de seguridad.
11. El sistema de retroceso de seguridad SE DEBE probar cada mes. La puerta DEBE retroceder al entrar en contacto con un objeto de 3.8 cm (1-1/2 de pulg.) de altura (o bien un pedazo de madera de 5x10 cm (2x4 pulg.) acostado) en el piso.
12. SIEMPRE MANTENGA LA PUERTA DE LA COCHERA DEBIDAMENTE BALANCEADA (vea la página 3). Si la puerta no está debidamente balanceada podría no retroceder cuando se requiera, lo que podría ocasionar una LESIÓN GRAVE o INCLUSO LA MUERTE.
13. Todas las reparaciones necesarias en los cables, resortes y otras piezas las DEBE llevar a cabo un técnico especializado en sistemas de puertas, pues todas estas piezas están bajo una tensión EXTREMA.
14. Para evitar LESIONES PERSONALES GRAVES o MORTALES debidas a electrocución, desconecte TODA la corriente eléctrica y de la batería ANTES de realizar cualquier servicio o mantenimiento.
15. **CONSERVE ESTAS INSTRUCCIONES.**

**Cómo Usar su Abridor de Puerta de Cochera**

Su abridor Security+® y el control remoto manual han sido programados en la fábrica con un código coincidente que cambia cada vez que se usa, accedando al azar más de 100,000 millones de códigos nuevos. Su abridor funcionará hasta con 10 controles remotos Security+® y un sistema de entrada sin llave Security+®. Si compra un control remoto nuevo, o si desea desactivar algún control remoto, siga las instrucciones que aparecen en la sección sobre *Cómo programar el abridor*.

**Actíve su abridor de alguna de las siguientes maneras:**

- *El Control remoto manual:* Mantenga oprimido el botón grande hasta que la puerta se empiece a mover.
- *La Consola de control de pared:* Mantenga oprimido el botón hasta que la puerta se empiece a mover.
- *La Entrada sin llave (Vea Accesorios):* Si su abridor de puerta de cochera viene con este accesorio, deberá estar programado antes de usarlo. Vea *Cómo programar el abridor*.

**Una vez activado el abridor (con el sensor de seguridad de retroceso correctamente instalado y alineado)**

1. Si la puerta está abierta se va a cerrar. Si la puerta está cerrada se va a abrir.
2. Si la puerta se está cerrando va a retroceder.
3. Si la puerta se está abriendo se va a detener.
4. Si la puerta se ha detenido en un punto parcialmente abierta, se va a cerrar.
5. Si al cerrarse la puerta se topó con alguna obstrucción, va a retroceder. Si la obstrucción interrumpe el rayo del sensor, las luces del abridor van a parpadear durante cinco segundos.

6. Si al abrirse la puerta se topó con alguna obstrucción, se va a detener.
  7. Si la puerta está completamente abierta, no va a cerrar si el rayo está interrumpido. El sensor no tiene ningún efecto en el ciclo de apertura.
- Si el sensor no se ha instalado o está desalineado, la puerta no se cerrará con el control remoto manual. Sin embargo, la puerta se puede cerrar con el Control de la puerta, el Interruptor de llave externo, o la Entrada sin llave, *siempre y cuando los active hasta que el recorrido hacia abajo haya terminado*. Si los suelta demasiado pronto, la puerta va a retroceder.

**Las luces del abridor** se encenderán en los siguientes casos: Siempre que conecte el abridor inicialmente; cuando se restaura el suministro de energía después de una interrupción; cuando el abridor se activa.

Las luces se apagan automáticamente después de 4 minutos y 1/2 o se quedan encendidas cuando se activa Luz en la consola de control. Los bombillos deben ser de 100 vatios máximo.

**La función de la luz del Security+®:** Las luces se encenderán también si alguien camina por la puerta de la cochera cuando está abierta. Si tiene la consola de control de detección de movimiento, esta función puede desactivarse como sigue: Con las luces del abridor apagadas, oprima y mantenga oprimido el botón de la luz durante 10 segundos hasta que la luz se encienda y se apague de nuevo. Para volver a activar esta función, empiece el procedimiento con las luces encendidas, luego oprima y mantenga oprimido el botón de la luz durante 10 segundos hasta que la luz se apague y luego se encienda de nuevo.

## Cómo usar la consola de control de pared

### LA CONSOLA DE CONTROL DE DETECCIÓN DE MOVIMIENTO

Oprima el botón iluminado para abrir o cerrar la puerta. Oprima de nuevo para que la puerta retroceda en el ciclo de cierre o para detener la puerta cuando se está abriendo.

Esta consola de control contiene un detector de movimiento que encenderá automáticamente la luz cuando detecte la entrada de una persona en el garaje.

Esta característica puede apagarse fácilmente cuando se usen extensivamente las luces de trabajo.

#### Luz

Oprima el botón de Luz para encender o apagar la luz del abridor. Este botón no controla las luces del abridor cuando la puerta está en movimiento. Si usted enciende la luz y luego activa el abridor, la luz permanecerá encendida durante cuatro minutos y medio. Oprima el botón nuevamente para que la luz se apague antes. El intervalo de 4 minutos y 1/2 puede cambiarse a 1 minuto y 1/2, 2 minutos y 1/2 o 3 minutos y 1/2, como sigue: Oprima y mantenga oprimido el botón del seguro (Lock) hasta que la luz empiece a parpadear (alrededor de 10 segundos). Si parpadea una vez, esto indica que el medidor de tiempo se ha fijado a un minuto y medio. Repita el procedimiento y la luz parpadeará dos veces, lo que significa que el intervalo se ha fijado en 2 minutos y 1/2. Repita una vez más si desea un intervalo de 3 minutos y 1/2, etc., hasta un máximo de 4 minutos y 1/2, en cuyo caso la luz parpadeará cuatro veces.

Al usar las luces del abre-puertas como luces de trabajo, recomendamos que primero inhabilite el detector de movimiento.

#### Característica de la Luz de detección de movimiento:

La luz del abridor se encenderá automáticamente cuando una persona camine por delante de la consola de control de pared. Esta característica funciona al detectar el movimiento y el calor del cuerpo y tal vez no funcione a temperaturas de unos 100 °F, 37.7 °C. La luz del abridor se encenderá durante 5 minutos, y después de apagará automáticamente si no se calcula una diferencia de movimiento o calor adicionales.

Para desactivar esta característica, oprima el botón de encendido/apagado automático de la luz del lado izquierdo de la consola de control.

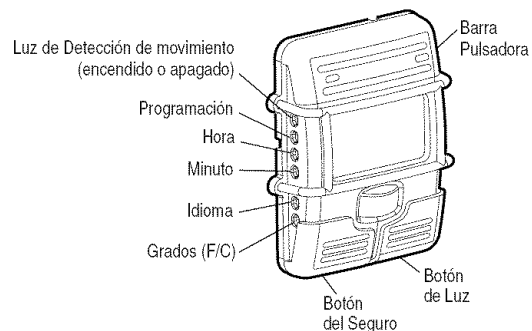
Recomendamos que desactive el sensor de movimiento cuando use las luces del abridor como luces de trabajo. De lo contrario se apagarán automáticamente si está trabajando más allá de la gama del sensor.

#### Seguro

Esta función está diseñada para evitar la operación de la puerta con los controles remotos manuales. No obstante, la puerta se puede abrir y cerrar con los siguientes accesorios: el Control de la puerta, el Interruptor de llave externo, y la Entrada sin llave.

Para activar esta función, oprima y mantenga oprimido el botón del seguro (Lock) por dos segundos. La luz del botón va a parpadearán mientras esté activado el seguro.

Para desactivar la función, oprima y mantenga oprimido el botón del seguro por dos segundos. La luz del botón dejará de parpadear. La función del seguro también se apaga siempre que el botón "aprender" del panel del motor esté activado.



#### Característica de Programación

La consola de control está equipada con un botón de PROGRAMACIÓN para asistir en la programación de los controles remotos de la unidad. Oprima el botón de PROGRAMACIÓN una vez para iniciar la modalidad de PROGRAMACIÓN y la pantalla mostrará Learn Remote Control – Press Learn Button Again to Confirm (Control de programación remoto – Oprima nuevamente el botón de Programación para confirmar). Oprima el botón de PROGRAMACIÓN por segunda vez y la pantalla mostrará 'Learn Mode - Press Remote Control Button to Learn Remote' (Modalidad de Programación – Oprima el botón de control remoto para programar el control remoto) Oprima el botón del control remoto que se vaya a programar y la luz de trabajo destellará para confirmar que se ha programado el control remoto.

#### Característica de Horas y minutos

Oprima o mantenga oprimido uno de estos botones laterales para aumentar las horas o minutos mostrados en la pantalla LCD.

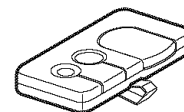
#### Característica de Idioma

Oprima este botón lateral para moverse por los tres idiomas – Inglés, español y francés.

#### Característica de Grados (F/C)

Oprima este botón lateral para pasar de grados Fahrenheit a centígrados y viceversa.

#### Función adicional cuando se usa con el control remoto manual de tres funciones



Para controlar las luces del abridor:

Además de la operación de la puerta, también puede programar el control remoto para el funcionamiento de las luces.

1. Con la puerta cerrada, oprima y mantenga oprimido un botón pequeño del control remoto que desee usar para el control de la luz.
2. Oprima y mantenga oprimido el botón de Luz del control de la puerta.
3. Mientras mantiene oprimido el botón de Luz, oprima y mantenga oprimido el botón del seguro (Lock) del control de la puerta.
4. Después de que las luces del abridor se enciendan brevemente, suelte todos los botones.

## Mantenimiento de su Abridor de Puerta de Cochera

### CALENDARIO DE MANTENIMIENTO

#### Una vez al mes

- Haga funcionar la puerta manualmente. Si está desbalanceada o se pandea, llame a un técnico especializado en sistemas de puertas.
- Revise para cerciorarse de que la puerta se abra y se cierre completamente. Ajuste los límites de ser necesario (Vea las páginas 27 y 28).
- Repita la prueba de la retroceso de seguridad. Haga los ajustes necesarios. (Vea Ajustes, Paso 3.)

#### Una vez al año

- Ponga aceite en los rodillos, los cojinetes y las bisagras de la puerta. El abridor no necesita lubricación adicional. No lubrique los carriles de la puerta.

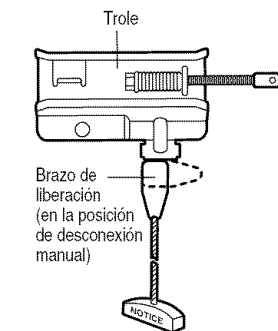
## Cómo Abrir la Puerta Manualmente

### CÓMO DESCONECTAR EL TROLE:

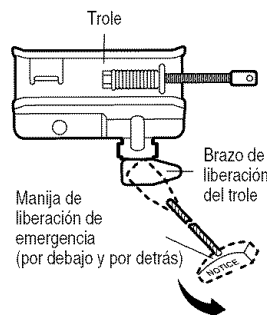
La puerta debe estar completamente cerrada si es posible. Tire de la manija de liberación de emergencia (de manera que el brazo de liberación del trole quede en una posición vertical) y levante la puerta manualmente. La función de *seguro* evita que el trole se vuelva a conectar automáticamente, y la puerta pueda subirse y bajarse manualmente con la frecuencia que sea necesaria.

### CÓMO RECONECTAR EL TROLE:

Tire de la manija de liberación de emergencia hacia el abridor en un ángulo que el brazo de liberación del trole quede horizontal. El trole se reconecta en la siguiente operación HACIA ARRIBA o HACIA ABAJO, ya sea manual o mediante el uso del control de la puerta o del control remoto.



Posición con el seguro (desconexión manual)



Para reconectar

## LA BATERÍA DEL CONTROL REMOTO

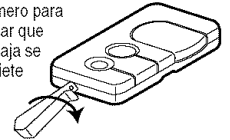
### ⚠ ADVERTENCIA

Para evitar la posibilidad de LESIONES GRAVES o INCLUSO LA MUERTE:

- NUNCA permita que los niños pequeños estén cerca de las baterías.
- Si alguien se traga una batería, llame al médico de inmediato.

La batería de litio debe producir energía durante cinco años. Para cambiar la batería use el clip del visor o un destornillador para abrir la caja, como se indica en la ilustración. Inserte la batería de acuerdo con las instrucciones de polaridad indicadas en el cubierto del control o en el tablero electrónico.

Abra este extremo primero para evitar que la caja se agriete



Deseche las baterías viejas de la manera adecuada.

AVISO: Para cumplir con las reglas de la FCC y/o de Canadá (IC), ajustes o modificaciones de este receptor y/o emisor están prohibidos, excepto por el cambio de la graduación del código o el reemplazo de la pila. NO HAY OTRAS PIEZAS REPARABLES DEL USUARIO.

Se ha probado para cumplir con las normas de la FCC para USO DEL HOGAR O DE LA OFICINA. La operación está sujeta a las dos condiciones siguientes: (1) este dispositivo no puede causar interferencia perjudicial, y (2) este dispositivo debe aceptar cualquier interferencia recibida, incluyendo la interferencia que puede causar una operación no deseable.

### ⚠ ADVERTENCIA

Para evitar la posibilidad de una LESIÓN GRAVE o INCLUSO LA MUERTE si la puerta de la cochera se cae:

- De ser posible, use la manija de liberación de emergencia para soltar el trole SÓLO cuando la puerta de la cochera esté CERRADA. Si los resortes están débiles o rotos, o bien si la puerta está desbalanceada, la puerta abierta podría caerse rápida y/o inesperadamente.
- NUNCA use la manija de liberación de emergencia a menos que la entrada a la cochera esté libre de obstrucciones y no haya ninguna persona presente.
- NUNCA use la manija para tirar de la puerta para abrirla o cerrarla. Si el nudo de la cuerda se suelta, usted podría caerse.

## Reserva de Batería

### INSTRUCCIONES DE OPERACIÓN

#### 1. Pruebe la batería con la unidad de motor.

Para probar la BBU, desconecte el cordón de la unidad de motor de la salida eléctrica.

- Un indicador LED naranja sólido indica que la batería está operando con energía de baterías.
- Un indicador LED naranja que parpadea con bip indica que la unidad está operando con energía de batería y que la carga de la batería está baja.
- Para probar que la batería está funcionando adecuadamente, abra y cierre la puerta de garaje.
- Vuelva a conectar el cordón de energía de la unidad de motor a la salida eléctrica.
- Verifique que el indicador LED verde está parpadeando en la batería (indica que ahora se está cargando la batería).
- Prueba completada.

#### 2. Cargue la batería.

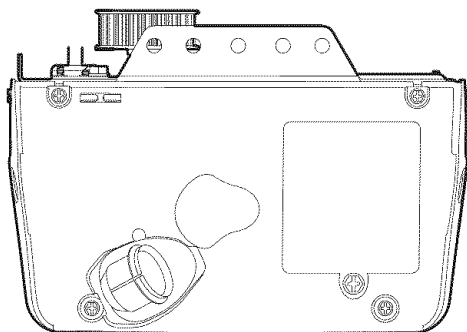
- Permita que las baterías se carguen completamente de 24 a 48 horas antes de usar el sistema de la batería.

Una batería completamente cargada suministra 24V DC a la unidad de motor durante uno o dos días de operación normal durante una falla de energía eléctrica. Si el voltaje de la batería cae a un nivel demasiado bajo, las baterías se desconectarán y la unidad de motor ya no operará bajo el poder de la batería.

Después de que se ha restaurado la energía eléctrica, las baterías se recargarán en las siguientes 48 horas. En uso normal, las baterías durarán de 3 a 5 años.

**Para obtener la vida máxima de la batería y evitar daño, también desconecte el respaldo de batería si desconecta el motor mientras está de vacaciones o durante cualquier otro periodo extenso de tiempo.**

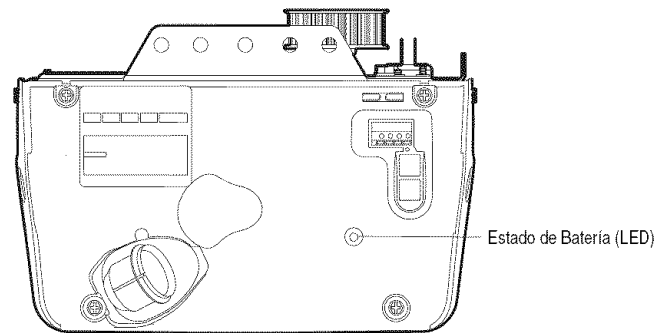
**NOTA:** La operación de puertas puede ser limitada hasta que las baterías estén completamente cargadas. Las luces de la unidad de motor no se encenderán durante el modo batería.



## ⚠ WARNING

Para reducir el riesgo de INCENDIO o LESIONES a las personas:

- Desconecte TODA la corriente eléctrica y de la batería ANTES de realizar CUALQUIER servicio o mantenimiento.
- Use solamente la pieza Craftsman N° 41A822 como batería de repuesto.
- NO arroje la batería al fuego. La batería puede estallar. Compruebe las instrucciones de desecho en los códigos locales.



**NOTA:** El indicador LED es mas visible con el luz apagado.

#### INDICADOR LED VERDE:

*Todos los sistemas están normales.*

- La luz sólida de un indicador LED indica que las baterías están totalmente cargadas.
- Un indicador LED que parpadea indica que las baterías se están cargando.

**NOTA:** Las baterías no deben estar totalmente cargadas para operar la unidad de motor.

#### INDICADOR LED NARANJA:

*La unidad de motor ha perdido energía y está operando fuera de la batería.*

- Un indicador LED sólido con bip, que suena aproximadamente cada 2 segundos, indica que la unidad de motor está activando la puerta y está operando fuera de la batería.
- Un indicador LED que parpadea con bip, que suena cada 30 segundos, indica que las baterías están bajas.
- Una vez que se restaura la energía, se recargará la batería. Esto se indica con un indicador LED verde que parpadea.

#### INDICADOR LED ROJO:

*Se ha detectado un error y la batería se apagará automáticamente. La batería intentará volver a encenderse reconectándose a las baterías. Si el error sigue presente, se apagará otra vez. Este proceso se repetirá cada 5 minutos o hasta que se haya resuelto el error. Esto se usa para evitar mayor fuga de las baterías.*

- Si un indicador LED rojo permanece encendido cuando se restaura la energía, y viene acompañado con un bip que suena cada 30 segundos, favor de llamar para servicio.



## Tiene algún problema (Diagnóstico de fallas)

**NOTA:** Desenchufe siempre la batería antes de resolver problemas.

**1. La puerta no cierra y las luces de la unidad del motor parpadean:** El sensor del sistema de retroceso de seguridad debe estar instalado y alineado correctamente para que el sistema de apertura de la puerta de la cochera se mueva en sentido descendente.

- Asegúrese de que los sensores de seguridad estén instalados y alineados correctamente, y que estén libres de obstrucciones. Consulte la sección Instalación, Paso 11: *Instale La Sistema de Protección*®.
- Compruebe los LED de diagnóstico de la unidad del motor para ver si parpadean. Luego consulte *la tabla de diagnóstico* en la siguiente página.

**2. El control remoto no activa la puerta:**

- Compruebe consola de control de detección de movimiento para ver si parpadea. En caso afirmativo, desactive el modo de bloqueo siguiendo las instrucciones de *Uso la consola de control de detección de movimiento*.
- Vuelva a programar el control remoto según las instrucciones. Consulte la sección sobre su *programación*.
- Si el control remoto sigue sin activar la puerta, compruebe el LED de diagnóstico de la unidad del motor para ver si parpadea; luego consulte *la tabla de diagnóstico* en la siguiente página.

**3. La puerta invierte el movimiento sin ninguna razón aparente:** ajuste la fuerza o los límites del recorrido y repita la prueba de retroceso de seguridad. Es normal tener que ajustar la fuerza y los límites del recorrido periódicamente. Las condiciones atmosféricas pueden afectar al recorrido de la puerta.

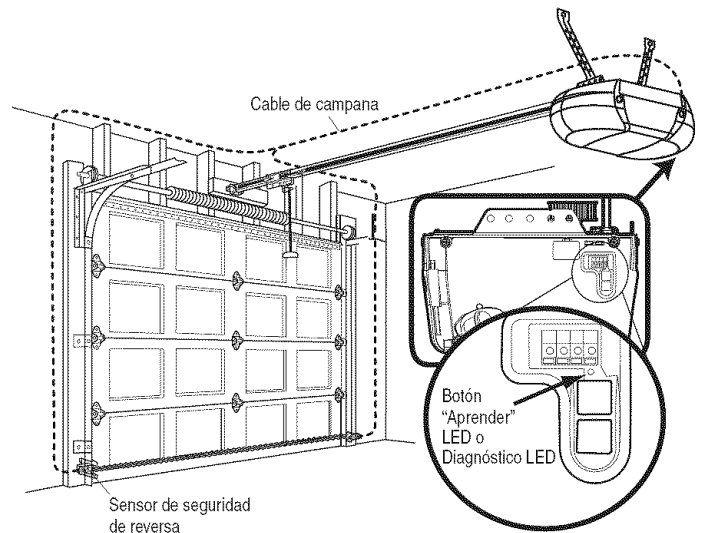
- Compruebe manualmente si la puerta tiene problemas de equilibrado o si queda atascada.
- Consulte el apartado *Ajustes, Paso 2: Ajuste la fuerza*.

**4. La puerta se cierra completamente, toca el suelo y se vuelve a abrir, sin ningún motivo aparente:** ajuste la fuerza o los límites del recorrido y repita la prueba de retroceso de seguridad. Es normal tener que ajustar la fuerza y los límites del recorrido periódicamente. Las condiciones atmosféricas pueden afectar al recorrido de la puerta.

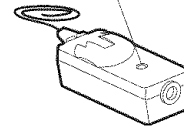
- Consulte el apartado *Ajustes, Paso 1: Ajuste los límites del recorrido hacia ARRIBA y hacia ABAJO*.

**5. Las luces no se apagan cuando la puerta se abre:**

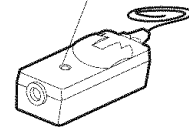
- El sistema de apertura de la puerta de la cochera cuenta con una función de seguridad de luz. Esta función activa la luz cuando el haz del sensor está obstruido; *Uso la consola de control de pared, Luz*.



Sensor de seguridad sensor emisor (Luz indicadora ámbar)

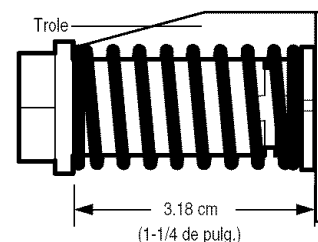


Sensor de seguridad sensor receptor (Luz indicadora verde)



**6. La unidad del motor emite un breve zumbido:**

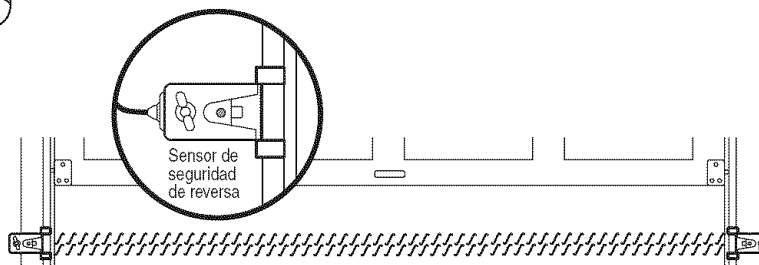
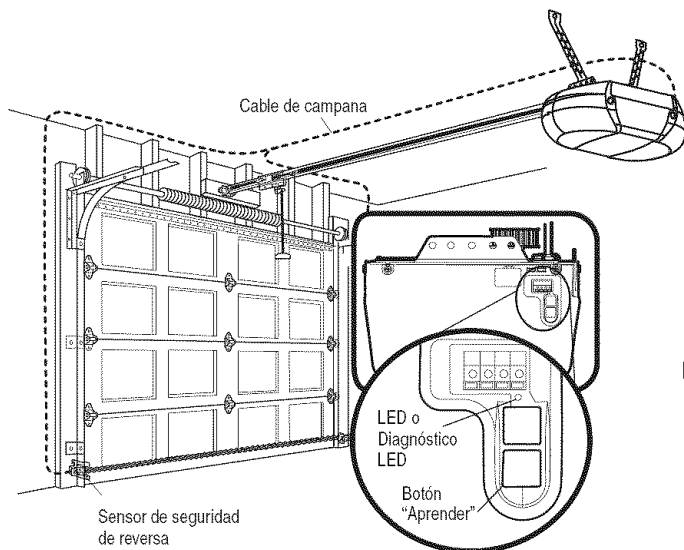
- En primer lugar, compruebe si el trole está atascado en el perno de tope.
- Libere la puerta del abridor tirando de la cuerda de emergencia.
- Cierre la puerta manualmente.
- Afloje la cadena haciendo girar la *tuerca exterior* 4 ó 5 vueltas. Se aliviará la tensión.
- Haga funcionar la unidad del motor con el control remoto o con el conmutador de pared. El trole debe desplazarse hacia la puerta, y detenerse. Si se engrana con la puerta, tire de la cuerda de liberación de emergencia para desengranarlo.
- Disminuya el desplazamiento hacia arriba.



- Vuelva a apretar la tuerca exterior hasta que el resorte del trole esté aproximadamente a 3.18 cm (1-1/4 de pulg.) de longitud.
- Repita estos pasos si el trole no se libera del perno de tope.

**7. Indicador LED de estado de batería no iluminado:**

- Compruebe las conexiones de la batería.



El sistema de apertura de la puerta cuenta con una función de autodiagnóstico. El botón "Aprender"/LED de diagnóstico parpadeará varias veces antes de detenerse, indicando que ha encontrado un posible problema. Consulte la tabla de diagnóstico a continuación.

## Tabla de Diagnóstico

### 1 PARPADEO

El circuito de los sensores de seguridad de reversa está abierto (cable roto o desconectado).

**O BIEN**

### 2 PARPADEOS

Hay un cortocircuito en el cable de los sensores de seguridad de reversa, o los cables blanco y negro están invertidos.

### 3 PARPADEOS

El consola de control o el cable tienen un cortocircuito.

### 4 PARPADEOS

Los sensores de seguridad están ligeramente mal alineados (LED débil o parpadeante).

### 5 PARPADEOS

El motor se calienta o hay un posible fallo de RPM. Desconéctelo para reiniciarlo.

● **Síntoma: Una o ambas luces indicadoras de los sensores de seguridad no permanecen encendidas.**

- Inspeccione los cables de los sensores para determinar si presentan un cortocircuito (grapa en el cable), corrija la polaridad de los cables (cables blanco y negro invertidos), cables rotos o desconectados, sustituir/conectar según proceda.
- Desconecte todos los cables en el dorso de la unidad del motor.
- Quite los sensores de sus soportes y acorte sus cables a 30-60 cm (1-2 pies) desde la parte posterior de cada sensor.
- Vuelva a conectar la célula transmisora con la unidad del motor, utilizando los cables cortos. Si la luz indicadora de la célula transmisora permanece encendida, conecte la célula receptora.
- Alinee los sensores. Si las luces indicadoras se encienden, sustituya los cables de los sensores. Si las luces de los sensores no se encienden, sustituya los sensores de seguridad.

● **Síntoma: El LED del consola de control no se enciende.**

- Inspeccione la unidad de consola de control/cable para ver si tienen un cortocircuito (grapa clavada en el cable) y sustituya lo que proceda.
- Desconecte los cables de la unidad de control de la puerta y haga puente con los cables. Si la unidad del motor se activa, sustituya la unidad de control.
- Si el motor no se activa, desconecte del motor los cables de consola de control. Con un cable, haga puente entre los terminales rojo y blanco. Si el motor se activa, cambie los cables de consola de control.

● **Síntoma: La luz indicadora de la célula transmisora permanece encendida; la luz de la célula receptora es débil o parpadea.**

- Vuelva a alinear la célula del sensor del receptor, limpie la lente y asegure el soporte.
- Asegúrese de que el riel de la puerta esté fijado firmemente a la pared y que no se mueva.

● **Síntoma: El motor está muy caliente; El motor no funciona correctamente o el trole está atascado en el perno de tope = El motor emite un breve zumbido; Sensor de RPM = Recorrido corto 15-20 cm (6-8 pulg.).**

- Desconecte la unidad para reiniciarla. Intente hacer funcionar el motor, compruebe el código de diagnóstico.
- Si sigue parpadeando 5 veces y el motor se mueve 15-20 cm (6-8 pulg.), cambie el sensor de RPM.
- Si el motor no funciona, significa que está muy caliente. Deje pasar 30 minutos y vuelva a intentarlo. Si el motor sigue sin funcionar, cambie el circuito impreso.

## Mensajes de la Consola de Control de Detección de Movimiento de la LCD

Los mensajes siguientes están contenidos dentro de la consola de control de detección de movimiento de LCD y pueden aparecer durante las operaciones de la unidad:

<b>Mensaje</b> SENSORES DE SEGURIDAD Compruebe el alineamiento obstrucción o cableado Vea el manual del propietario	<ul style="list-style-type: none"><li>● <b>Significado:</b> Este mensaje aparecerá si los sensores de inversión de seguridad están desalineados, bloqueados o si los cables están desconectados. Haga lo siguiente para borrar el mensaje de la consola de control:<ul style="list-style-type: none"><li>• Compruebe para ver que el área esté despejada entre los sensores de inversión de seguridad.</li><li>• Compruebe para ver que los sensores de inversión de seguridad no estén desalineados.</li><li>• Vuelva a alinear el sensor de la célula fotoeléctrica de recepción, limpie la lente y fije los soportes.</li><li>• Verifique que el carril de la puerta esté firmemente sujeto a la pared y no se mueva.</li><li>• Compruebe para ver que los cables de los sensores de inversión de seguridad estén conectados a la unidad de motor.</li><li>• Si no se ha borrado el mensaje después de las comprobaciones anteriores, consulte el mensaje 2.</li></ul></li></ul>
<b>Mensaje</b> Funcionamiento defectuoso de los sensores de seguridad Compruebe conexiones del cableado Vea el manual del propietario	<ul style="list-style-type: none"><li>● <b>Significado:</b> Este mensaje aparecerá si los sensores de inversión de seguridad están mal conectados. Haga lo siguiente para borrar el mensaje:<ul style="list-style-type: none"><li>• Inspeccione los cables de los sensores de inversión de seguridad para ver si hay un cortocircuito (grapa en el cable), polaridad correcta de las conexiones (cables negro/blanco invertidos), reemplace/conecte según sea necesario.</li><li>• Desconecte todos los cables de la parte trasera de la unidad del motor.</li><li>• Desconecte los sensores de inversión de seguridad de los soportes y acorte los cables de los sensores 1-2 pies (30-60 cm) de la parte trasera de cada sensor.</li><li>• Vuelva a conectar la célula fotoeléctrica de emisión a la unidad de motor usando cables acortados. Si el indicador de la célula fotoeléctrica de emisión brilla de forma constante, conecte la célula fotoeléctrica de recepción.</li><li>• Alinee los sensores, si las luces indicadoras brillan, reemplace los cables de los sensores. Si no se encienden las luces indicadoras de los sensores, reemplace los sensores de inversión de seguridad.</li></ul></li></ul>
<b>Mensaje</b> Aprenda el control remoto, oprima botón "Aprender" otra vez para confirmar	<ul style="list-style-type: none"><li>● <b>Significado:</b> Este mensaje aparecerá cuando se haya oprimido el botón de PROGRAMACIÓN de la consola de control. Al oprimir nuevamente el botón de PROGRAMACIÓN, se permitirá que el usuario programe un control remoto adicional del abridor.</li></ul>
<b>Mensaje</b> Listo para aprender código del control remoto oprima botón del control remoto para aprender código	<ul style="list-style-type: none"><li>● <b>Significado:</b> Este mensaje aparecerá cuando se haya oprimido el botón de programación por segunda vez en la consola de control o en cualquier momento en el abridor. El abridor está listo para programar otro control remoto oprimiendo simplemente el botón de control remoto. Una vez que se haya PROGRAMADO el control remoto, la luz de trabajo destellará una vez más.</li></ul>
<b>Mensaje</b> Listo para desactivar control remoto (LOCK) control remoto desactivado oprima botón (LOCK) para reactivar control remoto	<ul style="list-style-type: none"><li>● <b>Significado:</b> Este mensaje aparecerá cuando se haya oprimido el botón de bloqueo sin soltarlo durante más de un segundo. Esta característica desactivará el abridor de las señales de control remoto de recepción. Para salir de la modalidad de BLOQUEO, oprima el botón sin soltarlo durante más de un segundo.</li></ul>
<b>Mensaje</b> Inglés, francés y español	<ul style="list-style-type: none"><li>● <b>Significado:</b> Este mensaje aparecerá cuando se haya oprimido el botón de Idioma. Al oprimir el botón se pasará al idioma siguiente.</li></ul>
<b>Mensaje</b> Sensor de movimiento encendido, sensor de movimiento apagado	<ul style="list-style-type: none"><li>● <b>Significado:</b> Este mensaje aparecerá cuando se haya oprimido el botón de Detección de movimiento. El detector de movimiento se encenderá y se apagará cada vez que se oprima el botón.</li></ul>

# CÓMO PROGRAMAR EL ABRIDOR

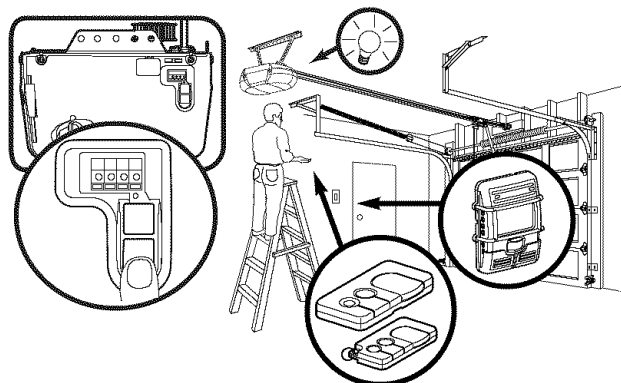
**AVISO:** Si utiliza este abre puertas de garaje Security+® con un transmisor no dotado de un sistema de códigos de salto (código aleatorio), se verán circunvenidas las medidas técnicas incorporadas en el receptor del abridor para proteger contra los aparatos de captura de códigos. El propietario de los derechos propiedad intelectual del abridor no autoriza ni al comprador ni al proveedor de un transmisor no dotado de un sistema de códigos de salto (código aleatorio) a circunvenir dichas medidas técnicas.

Su abridor de puerta de cochera ya viene programado de fábrica para operar con su control remoto manual. La puerta se abrirá y se cerrará cuando oprima el botón grande.

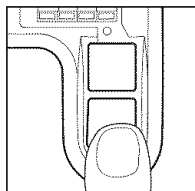
A continuación se proveen las instrucciones para programar su abridor para que opere con controles remotos Security+® adicionales.

## Cómo Agregar o Reprogramar un Control Remoto Manual

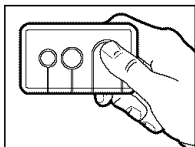
### CÓMO USAR EL BOTÓN LEARN (APRENDER)



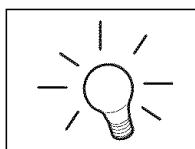
1. Oprima y suelte el botón "Aprender" de la unidad del motor. La luz indicadora de este botón estará encendida por 30 segundos.



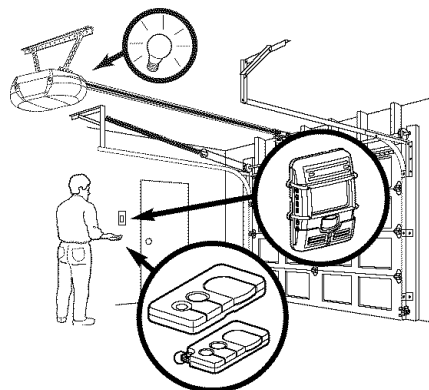
2. En los 30 segundos, oprima y mantenga oprimido el botón del control remoto manual\* que desee usar para su puerta de cochera.



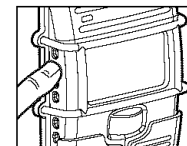
3. Suelte el botón cuando las luces de la unidad del motor empiecen a parpadear. Ya aprendió el código. Si no se han puesto bombillos, se escucharán dos chasquidos.



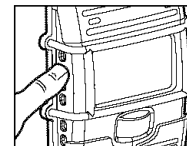
### USO DE LA CONSOLA DE CONTROL DE DETECCIÓN DE MOVIMIENTO



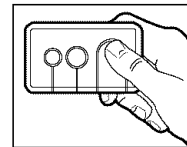
1. Pulse el botón "Aprender" de la consola de control de detección de movimiento.



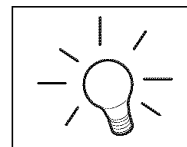
2. Oprima nuevamente el botón "Aprender" para confirmar la modalidad de "Aprender".



3. Oprima el botón del control remoto\* portátil que desee usar para la puerta de su garaje.



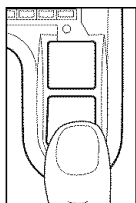
4. Cuando destellen las luces de la unidad de motor, tiene el código programado. Si no se han instalado las bombillas, se oírán dos clics.



### Para Borrar Todos los Códigos de la Memoria de la Unidad del Motor

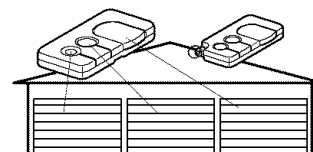
Para desactivar cualquier control remoto que no desee usar, antes que nada borre todos los códigos:

Oprima y mantenga oprimido el botón "Aprender" de la unidad del motor, hasta que la luz del indicador de Aprender se apague (aproximadamente 6 segundos). Ya estarán borrados todos los códigos anteriores. Vuelva a programar cada uno de los controles remotos o la entrada sin llave que desee usar.



### \*Controles Remotos de 3 Funciones

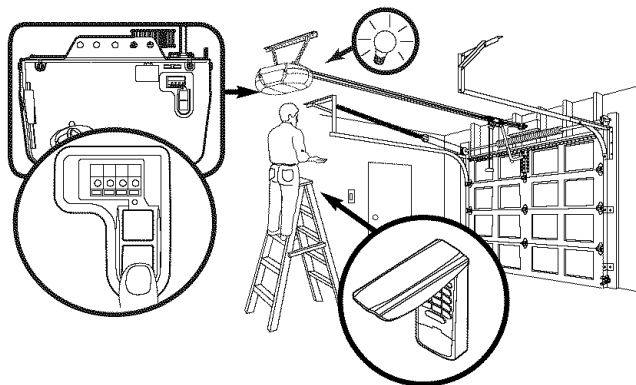
Si es provisto con su abridor de puerta de la cochera, el botón grande ha sido programado en la fábrica para operación de su abridor. Los botones adicionales de cualquier control remoto de funciones múltiples Security+® o de un minicontrol remoto pueden programarse para operar otros abridores de puerta de cochera Security+®.



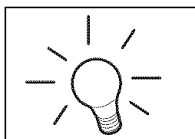
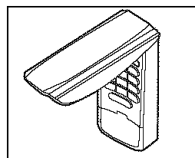
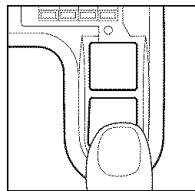
## Cómo Agregar, Reprogramar o Cambiar un Código de Entrada sin Llave

**NOTA:** Su nueva Entrada sin llave debe programarse para que opere el abridor de la puerta de su cochera.

### CÓMO USAR EL BOTÓN LEARN (APRENDER)



1. Oprima y suelte el botón "Aprender" de la unidad del motor. La luz indicadora de este botón estará encendida por 30 segundos.
2. En los 30 segundos, introduzca un número de identificación personal (PIN) que haya elegido, usando el teclado. Luego oprima y mantenga oprimido el botón ENTER.
3. Suelte el botón cuando las luces de la unidad del motor empiecen a parpadear. Ya aprendió el código. Si no ha instalado bombillos, se escucharán dos chasquidos.



### Para cambiar un PIN existente

Si el PIN existente ya es conocido, una persona lo puede cambiar sin usar una escalera.

1. Oprima los cuatro botones que correspondan al PIN actual, luego oprima y mantenga oprimido el botón #.
- La luz del abridor parpadeará dos veces. Suelte el botón #.
2. Oprima el nuevo PIN de cuatro dígitos y luego oprima ENTER.

Las luces de la unidad del motor parpadearán una vez cuando el PIN se haya aprendido.

Pruebe oprimiendo el nuevo PIN, luego oprima ENTER. La puerta debe moverse.

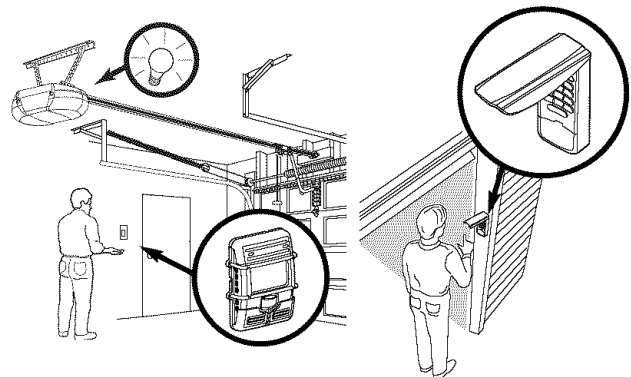
### Para poner un PIN temporal

Usted puede autorizar el acceso a sus visitas o a personal de servicio con un PIN temporal de cuatro dígitos. Después de un determinado número de horas programadas, o número de accesos, este PIN temporal expira y no vuelve a abrir la puerta. Se puede usar para *cerrar* la puerta aún después de que haya expirado. Haga lo siguiente para poner un PIN temporal:

1. Oprima los cuatro botones correspondientes a su PIN de entrada personal (no el último PIN temporal); luego oprima y mantenga oprimido el botón \*.
- La luz del abridor va a parpadear tres veces. Suelte el botón.

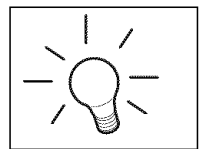
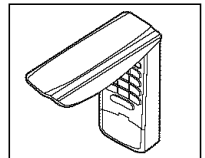
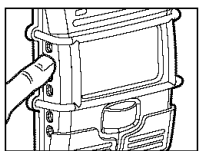
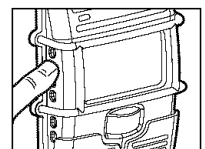
**Cierre con un botón:** El abridor se puede cerrar presionando sólo el botón ENTER si está activada la función de cierre con un botón. Esta función viene activada de fábrica. Para activarla o desactivarla, presione y mantenga presionados los botones 1 y 9 durante 10 segundos. El teclado parpadeará dos veces cuando se active la función de cierre con un botón. y parpadeará cuatro veces cuando se la desactive.

### USO DE LA CONSOLA DE CONTROL DE DETECCIÓN DE MOVIMIENTO



**NOTA:** Este método requiere dos personas si la Entrada sin llave ya está montada fuera de la cochera.

1. Pulse el botón "Aprender" de la consola de control de detección de movimiento.
2. Oprima nuevamente el botón "Aprender" para confirmar la modalidad de "Aprender".
3. Introduzca un número de identificación personal (PIN) que haya elegido, usando el teclado. Luego oprima y mantenga oprimido el botón ENTER.
4. Cuando destellen las luces de la unidad de motor, tiene el código programado. Si no se han instalado las bombillas, se oirán dos clics.



2. Oprima los cuatro dígitos del PIN temporal que haya elegido, luego oprima ENTER.
- La luz del abridor va a parpadeará cuatro veces.
3. Para fijar el número de **horas** que el PIN temporal debe funcionar, oprima el número de horas (hasta 255), luego oprima \*.

0

La luz del abridor parpadeará una vez cuando el PIN temporal haya sido aprendido.

Pruebe oprimiendo los cuatro botones correspondientes al PIN temporal, luego oprima ENTER. La puerta debe moverse. Si el PIN temporal se ha fijado para abrir la puerta un determinado número de veces, recuerde que la prueba constituye una vez. Para borrar la contraseña temporal, repita los pasos del 1 al 3; fijando el número de horas o de veces en 0, en el paso 3.

## ACCESORIOS

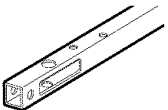
139.53702



### Liberador de la llave de emergencia:

Se requiere en las cocheras que NO tienen puerta de acceso. Permite al dueño de la casa abrir la puerta de la cochera manualmente desde el exterior, desconectando el trole.

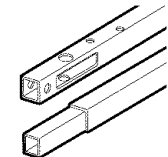
139.53728



### Extensión del riel de 2.4 m (8 pies):

Permite que una puerta de 2.4 m (8 pies) se abra completamente.

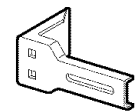
139.53729



### Extensión del riel de 3 m (10 pies):

Permite que una puerta de 3 m (10 pies) se abra completamente.

41A5281

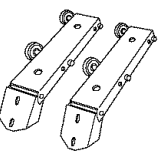


### Ménsulas de extensión:

*(Sólo están disponibles a través de Refacciones y Servicio Sears)*

(Opcionales) Para la instalación del sensor de seguridad en la pared o en el piso.

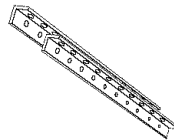
139.53709



### Ménsulas para la altura de la puerta: (Sólo para puertas seccionales)

Sustituyen a las ménsulas superiores y los rodillos de la puerta para reducir la altura del recorrido de la puerta. Para usarse cuando se instala el abridor en una cochera con poca tolerancia (altura).

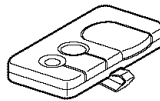
139.53589



### Ménsulas de soporte:

Para cielos rasos sin acabados o en los casos en que se necesite soporte adicional, basado en la construcción de la cochera. Incluye las ménsulas y los sujetadores.

139.53753



### SECURITY+® Control remoto de 3 funciones:

Incluye el clip del visor.

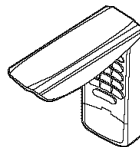
139.53752



### SECURITY+® Control remoto compacto de 3 funciones:

Con lazada para ponerse en el llavero.

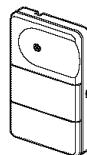
139.53754



### SECURITY+® Entrada sin llave:

Permite al dueño de la casa operar la puerta de la cochera desde el exterior, ingresando una contraseña. También puede agregarse una contraseña temporal para visitas o personal de servicio.

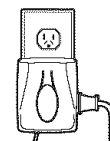
41A6344



### Consola de control sin cable

*(Sólo están disponibles a través de Refacciones y Servicio Sears)*

139.53749



### Control de luz enchufable:

Permite al dueño de la casa encender una lámpara, la televisión, u otro aparato doméstico con el control remoto desde el coche, la cama, o dondequiera que se encuentre en la casa.

## GARANTÍA

### GARANTÍA SEARS

#### EL ABRIDOR DE PUERTA DE COCHERA TIENE UNA GARANTÍA COMPLETA DE 90 DIAS

Durante 90 días a partir de la fecha de compra, Sears hará las reparaciones de su abridor de puerta de cochera sin costo para usted si el abridor tiene defectos en materiales o mano de obra.

#### GARANTÍA LIMITADA

Desde el día 91 hasta 3 años, a partir de la fecha de compra, Sears hará las partes de repuestos para ninguna parte que tiene defectos, sin costo. Usted paga la mano de obra.

#### GARANTÍA LIMITADA DEL MOTOR

Desde el día 91 hasta 10 años, si el motor del abridor de puerta de cochera está defectuoso, Sears proporcionará un motor de repuesto, sin costo alguno. Usted paga la mano de obra.

#### LÍMITE DE LA RESPONSABILIDAD

**SEARS NO SERÁ RESPONSABLE POR LAS PÉRDIDAS O DAÑOS QUE SUFRA LA PROPIEDAD, NI POR PÉRDIDAS O GASTOS INCIDENTALES O CONSECUENTES DERIVADOS DE DAÑOS A LA PROPIEDAD QUE PUDIERAN DIRECTA O INDIRECTAMENTE SER EL RESULTADO DEL USAR ESTE PRODUCTO.** En algunos estados no está permitido la exclusión o límite de los daños incidentales o consecuentes, de manera que el límite o exclusión arriba citado puede no aplicar en su caso.

Esta garantía no cubre focos ni piezas de repuesto necesarias cuando este producto se ha tratado indebidamente o con negligencia, incluyendo no llevar a cabo la instalación, ajuste y operación de este abridor de puerta de cochera de acuerdo a las instrucciones contenidas en el instructivo del propietario.

EL SERVICIO DE GARANTÍA ESTÁ DISPONIBLE CON PONERSE EN CONTACTO CON EL CENTRO DE SERVICIO SEARS MÁS CERCANO EN LOS ESTADOS UNIDOS.

Esta garantía aplica solamente mientras este producto se esté usando en los Estados Unidos.

Esta garantía le otorga derechos legales específicos, y usted podría tener otros derechos que pueden ser diferentes en cada estado.

Sears, Roebuck and Co., Dept. 817WA, Hoffman Estates, IL 60179

# Get it fixed, at your home or ours!

## Your Home

For repair – **in your home** – of **all** major brand appliances, lawn and garden equipment, or heating and cooling systems, **no matter who made it, no matter who sold it!**

For the replacement parts, accessories and owner's manuals that you need to do-it-yourself.

For Sears professional installation of home appliances and items like garage door openers and water heaters.

**1-800-4-MY-HOME<sup>®</sup>** (1-800-469-4663)

Call anytime, day or night (U.S.A. and Canada)

[www.sears.com](http://www.sears.com)    [www.sears.ca](http://www.sears.ca)

## Our Home

For repair of carry-in items like vacuums, lawn equipment, and electronics, call or go on-line for the location of your nearest

**Sears Parts & Repair Center.**

**1-800-488-1222**

Call anytime, day or night (U.S.A. only)

[www.sears.com](http://www.sears.com)

To purchase a protection agreement (U.S.A.) or maintenance agreement (Canada) on a product serviced by Sears:

**1-800-827-6655** (U.S.A.)

**1-800-361-6665** (Canada)

Para pedir servicio de reparación a domicilio, y para ordenar piezas:

**1-888-SU-HOGAR<sup>SM</sup>**

(1-888-784-6427)

Au Canada pour service en français:

**1-800-LE-FOYER<sup>MC</sup>**

(1-800-533-6937)

[www.sears.ca](http://www.sears.ca)

# SEARS