



# Owner's Manual

B730 • B730C • B740

Belt Drive  
Garage Door Opener

## FOR RESIDENTIAL USE ONLY

PRE-PROGRAMMED REMOTE CONTROL  
INCLUDED



TO WATCH VIDEOS GO TO:  
[tinyurl.com/lgh5x3h](http://tinyurl.com/lgh5x3h)

# CHAMBERLAIN®

## Garage Opener

- Please read this manual and the enclosed safety materials carefully!
- Fasten the manual near the garage door after installation.
- The door WILL NOT CLOSE unless the Protector System® is connected and properly aligned.
- Periodic checks of the garage door opener are required to ensure safe operation.
- The model number label is located on the left side panel of your garage door opener.
- This garage door opener is compatible with MyQ® and Security+ 2.0® accessories.
- DO NOT install on a one-piece door if using devices or features providing unattended close. Unattended devices and features are to be used ONLY with sectional doors.



## Contents

Preparation .....	2-5
Assembly .....	6-10
Installation .....	11-28
Install the Door Control .....	21-22
Install the Protector System® .....	23-26
Connect power .....	27-28
Adjustments.....	29-31
Battery Backup .....	32-33
Operation.....	34-40
Features .....	35
Using your Garage Door Opener.....	36
Control Panel.....	36-37
Smart Control Panel® .....	37-38
Remote Control and Keyless Entry .....	39
HomeLink® .....	39
To Erase the Memory .....	39
To Open the Door Manually .....	40
Maintenance .....	41
Troubleshooting .....	42-43
Accessories.....	44
Warranty.....	45
Repair Parts .....	46-47

[www.chamberlain.com](http://www.chamberlain.com)  
[www.mychamberlain.com](http://www.mychamberlain.com)

# Preparation

## Safety Symbol and Signal Word Review

This garage door opener has been designed and tested to offer safe service provided it is installed, operated, maintained and tested in strict accordance with the instructions and warnings contained in this manual.

### **WARNING**

Mechanical

### **WARNING**

Electrical

When you see these Safety Symbols and Signal Words on the following pages, they will alert you to the possibility of **serious injury or death** if you do not comply with the warnings that accompany them. The hazard may come from something mechanical or from electric shock. Read the warnings carefully.

### **CAUTION**

When you see this Signal Word on the following pages, it will alert you to the possibility of damage to your garage door and/or the garage door opener if you do not comply with the cautionary statements that accompany it. Read them carefully.



**WARNING:** This product can expose you to chemicals including lead, which are known to the State of California to cause cancer or birth defects or other reproductive harm. For more information go to [www.P65Warnings.ca.gov](http://www.P65Warnings.ca.gov)

## Unattended Operation

The Timer-to-Close (TTC) feature, the MyQ® Smartphone Control app, and MyQ® Garage Door and Gate Monitor are examples of unattended close and are to be used ONLY with sectional doors. Any device or feature that allows the door to close without being in the line of sight of the door is considered unattended close. The Timer-to-Close (TTC) feature, the MyQ® Smartphone Control, and any other MyQ® devices are to be used ONLY with sectional doors.

## Check the Door

### **WARNING**

To prevent possible SERIOUS INJURY or DEATH:

- ALWAYS call a trained door systems technician if garage door binds, sticks, or is out of balance. An unbalanced garage door may NOT reverse when required.
- NEVER try to loosen, move or adjust garage door, door springs, cables, pulleys, brackets or their hardware, ALL of which are under EXTREME tension.
- Disable ALL locks and remove ALL ropes connected to garage door BEFORE installation and operating garage door opener to avoid entanglement.
- DO NOT install on a one-piece door if using devices or features providing unattended close. Unattended devices and features are to be used ONLY with sectional doors.

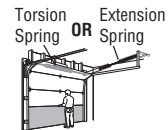
### **CAUTION**

To prevent damage to garage door and opener:

- ALWAYS disable locks BEFORE installing and operating the opener.
- ONLY operate garage door opener at 120V, 60 Hz to avoid malfunction and damage.

Before you begin:

1. Disable locks and remove any ropes connected to the garage door.
2. Lift the door halfway up. Release the door. If balanced, it should stay in place, supported entirely by its springs.
3. Raise and lower the door to check for binding or sticking. If your door binds, sticks, or is out of balance, call a trained door systems technician.
4. Check the seal on the bottom of the door. Any gap between the floor and the bottom of the door must not exceed 1/4 inch (6 mm). Otherwise, the safety reversal system may not work properly.
5. The opener should be installed above the center of the door. If there is a torsion spring or center bearing plate in the way of the header bracket, it may be installed within 4 feet (1.2 m) to the left or right of the door center. See page 12.



# Preparation

## Additional Items You May Need:

Survey your garage area to see if you will need any of the following items:

- **(2) 2X4 PIECES OF WOOD**

May be used to fasten the header bracket to the structural supports. Also used to position the garage door opener during installation and for testing the safety reversing sensors.

- **SUPPORT BRACKET AND FASTENING HARDWARE**

Must be used if you have a finished ceiling in your garage.

- **EXTENSION BRACKETS (MODEL 041A5281-1) OR WOOD BLOCKS**

Depending upon garage construction, extension brackets or wood blocks may be needed to install the safety reversing sensor.

- **FASTENING HARDWARE**

Alternate floor mounting of the safety reversing sensor will require hardware not provided.

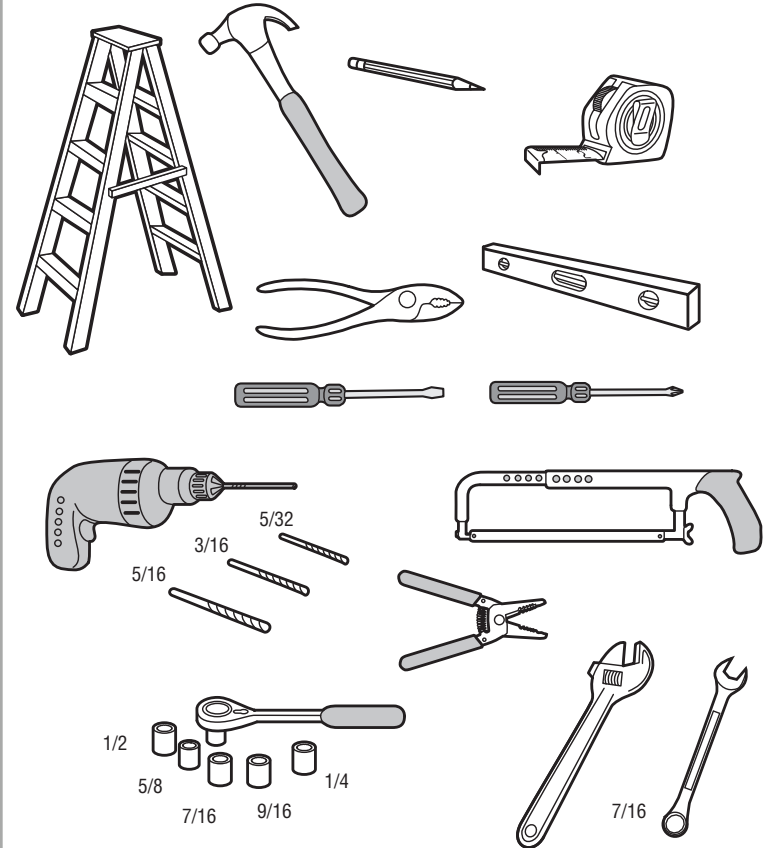
- **DOOR REINFORCEMENT**

Required if you have a lightweight steel, aluminum, fiberglass or glass panel door.

- **RAIL EXTENSION KIT**

Required if your garage door is more than 7 feet (2.13 m) high.

## Tools Needed



# Preparation

## Carton Inventory

Save the carton and packing material until the installation and adjustment is complete. Instructions for the accessories will be attached to the accessory and are not included in this manual. The images throughout this manual are for reference only and your product may look different.

Model	Power	Door Control	Remote Control	Wireless Keypad
B730 B730C	Plus Lift Power System™	Motion Detecting	3-button (2)	✓
B740	Plus Lift Power System™	Smart Control Panel	3-button (2)	✓

- A. Header bracket
- B. Pulley
- C. Door bracket
- D. Curved door arm
- E. Straight door arm  
(Packaged inside front rail section)
- F. Trolley

**NOTE:** Be sure to assemble the trolley before sliding onto rail.

- G. Emergency release rope and handle
- H. Rail (1 front and 4 center sections)
- I. Hanging brackets (2)  
(Packaged inside the front rail section)
- J. Garage door opener (motor unit)
- K. Sprocket cover and screws
- L. "U" bracket
- M. Belt
- N. Door control
- O. Remote control

**P. The Protector System®**

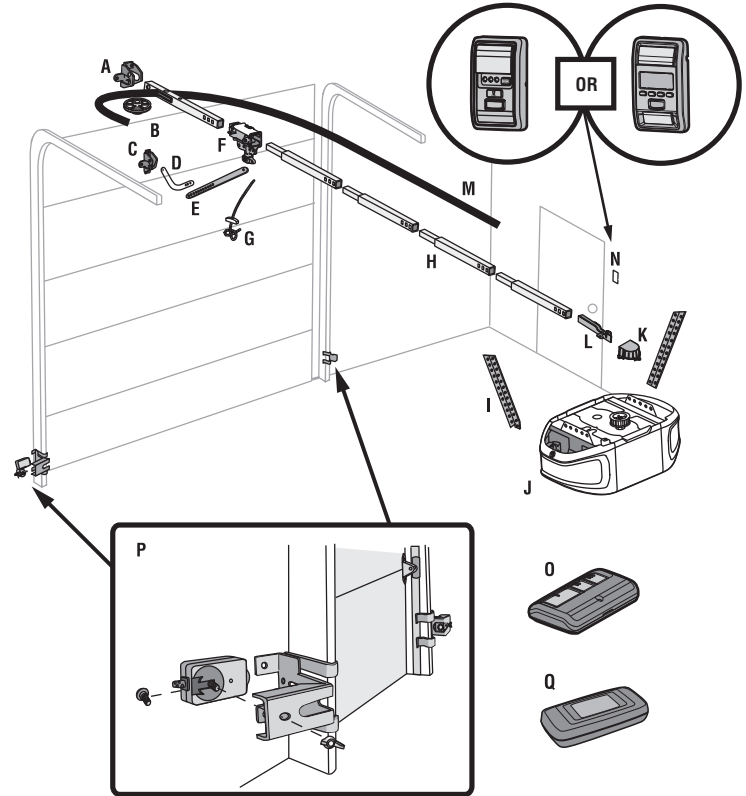
Safety reversing sensors with 2 conductor white and white/black wire attached: Sending Sensor (1), Receiving Sensor (1), and Safety Sensor Brackets (2)

- Q. MyQ® Internet Gateway (Model B740)

**NOT SHOWN**

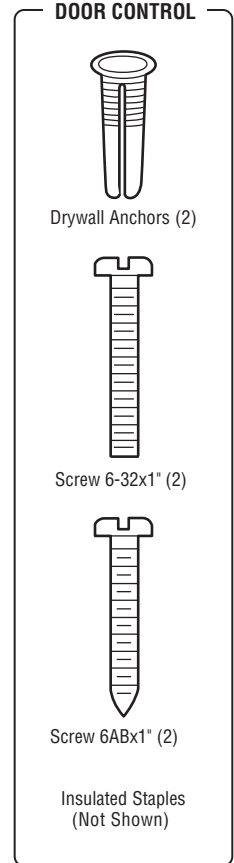
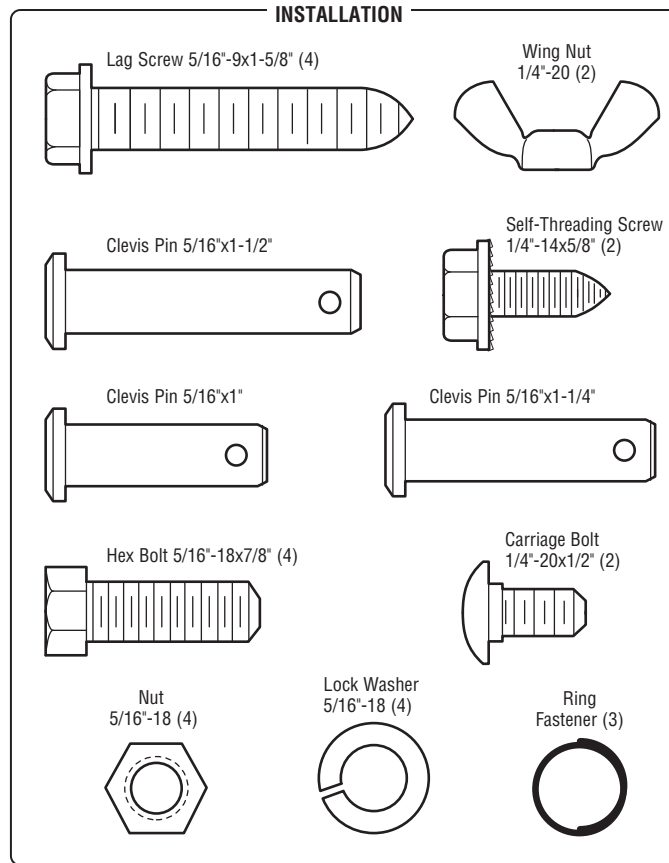
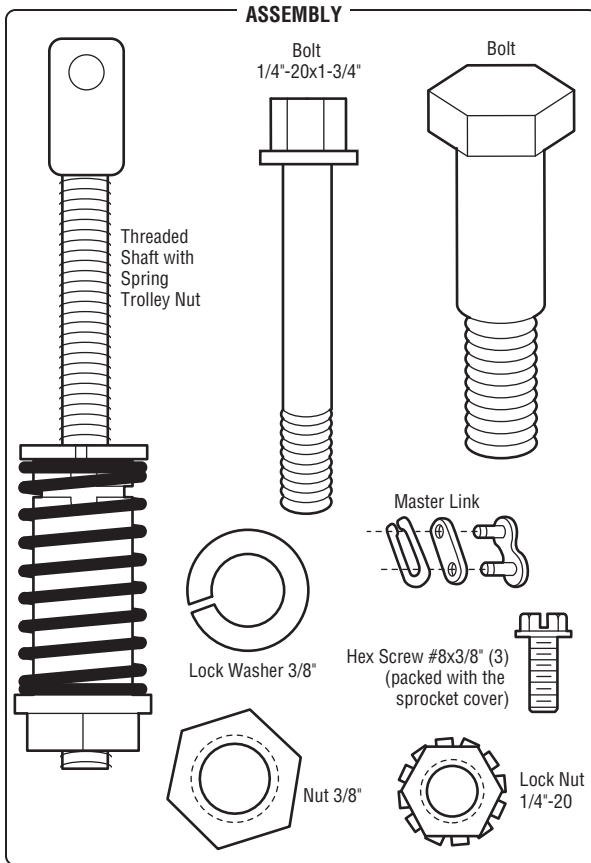
Wireless Keypad  
Owner's manual

White and red/white wire  
Hardware



# Preparation

## Hardware



# Assembly

## STEP 1 Assemble the rail and install the trolley

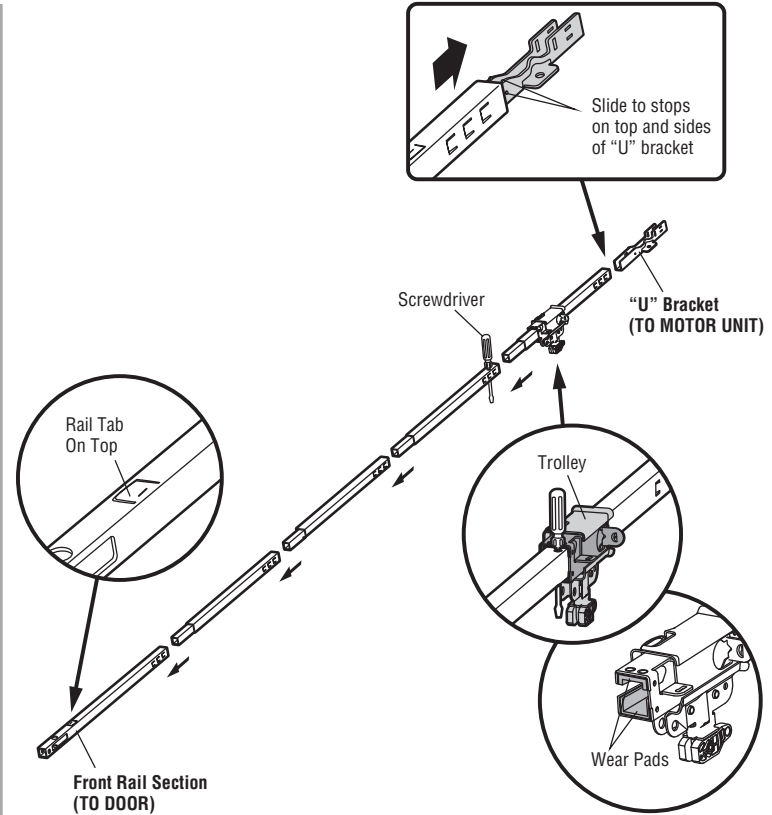
### CAUTION

To prevent INJURY from pinching, keep hands and fingers away from the joints while assembling the rail.

To avoid installation difficulties, do not run the garage door opener until instructed to do so.

The front rail has a cut out "window" at the door end. The rail tab **MUST** be on top of the rail when assembled.

1. Remove the straight door arm and hanging bracket packaged inside the front rail and set aside for Installation Step 5 and 9. **NOTE:** To prevent INJURY while unpacking the rail carefully remove the straight door arm stored within the rail section.
2. Align the rail sections on a flat surface as shown and slide the tapered ends into the larger ones. Tabs along the side will lock into place.
3. Place the motor unit on packing material to protect the cover, and rest the back end of the rail on top. For convenience, put a support under the front end of the rail.
4. As a temporary stop, insert a screwdriver into the hole in the second rail section from the motor unit, as shown.
5. Check to be sure there are 4 plastic wear pads inside the inner trolley. If they became loose during shipping, check all packing material. Snap them back into position as shown.
6. Slide the trolley assembly toward the screwdriver as shown.
7. Slide the rail onto the "U" bracket, until it reaches all the stops on the top and sides of the "U" bracket.



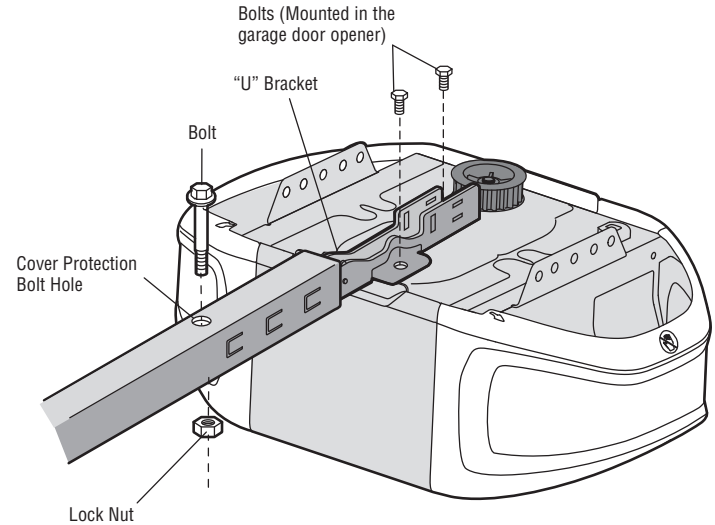
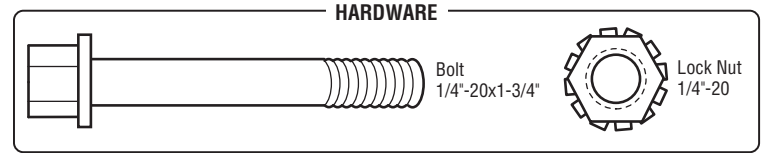
# Assembly

## STEP 2 Fasten the rail to the motor unit

### CAUTION

To avoid SERIOUS damage to garage door opener, use ONLY those bolts/fasteners mounted in the top of the opener.

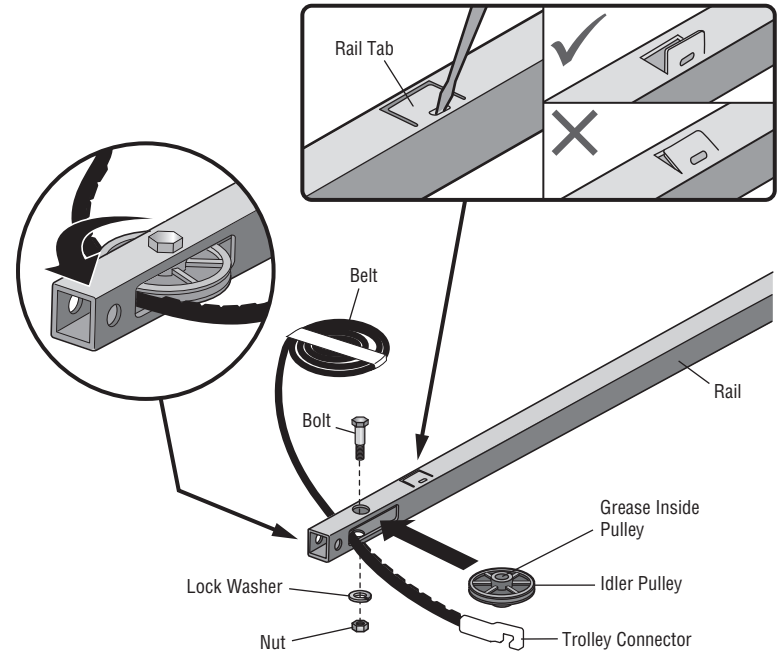
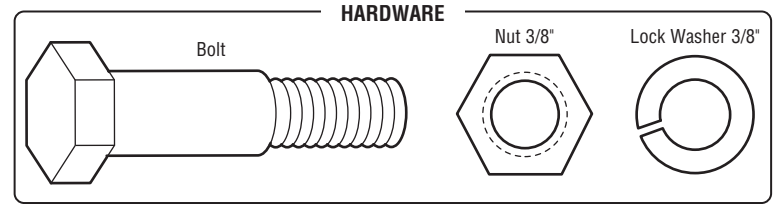
1. Insert a 1/4"-20 x 1-3/4" bolt into the cover protection bolt hole on the back end of the rail as shown. Tighten securely with a 1/4"-20 lock nut. DO NOT overtighten.
2. Remove the bolts from the top of the motor unit.
3. Use the carton to support the front end of the rail.
4. Place the "U" bracket, flat side down onto the motor unit and align the bracket holes with the bolt holes.
5. Fasten the "U" bracket with the previously removed bolts; DO NOT use any power tools. The use of power tools may permanently damage the garage door opener.



# Assembly

## STEP 3 Install the idler pulley

1. Lay the belt beside the rail, as shown. Grasp the end with the hooked trolley connector and pass approximately 12" (30 cm) of belt through the window. Keep the ribbed side toward the rail, and allow it to hang until Assembly Step 4.
2. Remove the tape from the idler pulley. The inside center should be pre-greased. If dry, regrease to ensure proper operation.
3. Place the idler pulley into the window as shown.
4. Insert the idler bolt from the top through the rail and pulley. Tighten with a 3/8" lock washer and nut underneath the rail until the lock washer is compressed.
5. Rotate the pulley to be sure it spins freely.
6. Locate the rail tab. The rail tab is between the idler bolt and the trolley in the front rail section. Use a flathead screwdriver and lift the rail tab until the tab is vertical (90°).

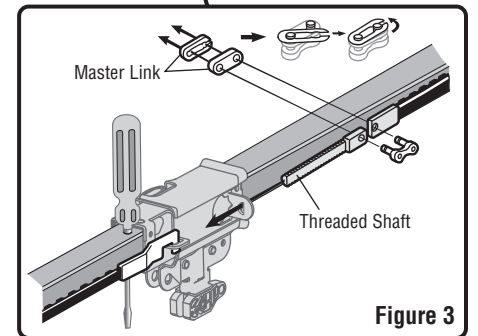
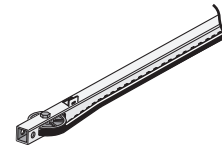
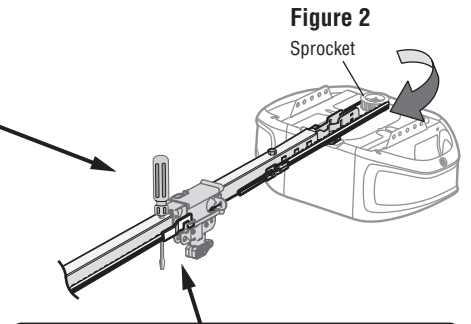
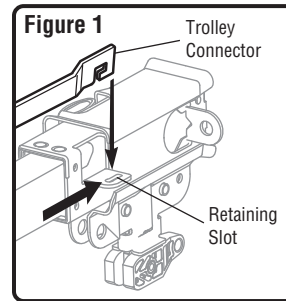
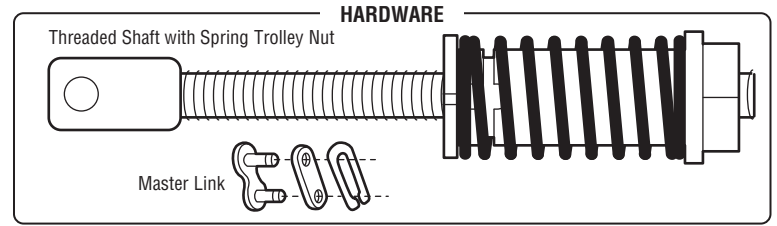




# Assembly

## STEP 4 Install the belt

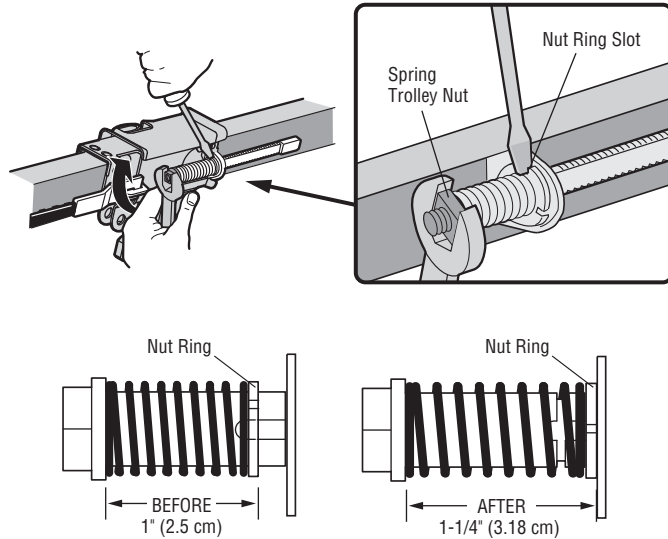
1. Pull the belt around the idler pulley and toward the trolley. The ribbed side must contact the pulley.
2. Hook the trolley connector into the retaining slot on the trolley as shown (Figure 1).
3. With the trolley against the screwdriver, dispense the remainder of the belt along the rail length toward the motor unit and around the sprocket (Figure 2). The sprocket teeth must engage the belt.
4. Check to make sure the belt is not twisted. Connect the trolley threaded shaft with the master link (Figure 3).
  - Push pins of master link bar through holes in end of belt and trolley threaded shaft.
  - Push master link cap over pins and past pin notches.
  - Slide the closed end of the clip-on spring over one of the pins. Push the open end of the clip-on spring onto the other pin.
5. Remove the spring trolley nut from the threaded shaft.
6. Insert the trolley threaded shaft through the hole in the trolley.



# Assembly

## STEP 5 Tighten the belt

1. By hand, thread the spring trolley nut on the threaded shaft until it is finger tight against the trolley. Do not use any tools. Remove the screwdriver.
2. Insert a flathead screwdriver tip into one of the nut ring slots and brace it firmly against the trolley.
3. Tighten the spring trolley nut with an adjustable wrench or a 7/16" open end wrench about a quarter turn until the spring releases and snaps the nut ring against the trolley. This sets the spring to optimum belt tension.



## STEP 6 Install the sprocket cover

### **WARNING**

To avoid possible **SERIOUS INJURY** to finger from moving garage door opener:

- ALWAYS keep hand clear of sprocket while operating opener.
- Securely attach sprocket cover **BEFORE** operating.

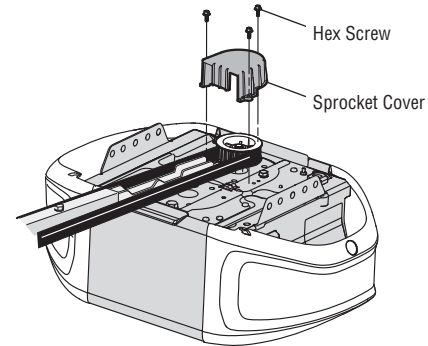
1. Position the sprocket cover over the sprocket as shown and fasten to the mounting plate with 8x3/8" hex screws provided.

**You have now finished assembling your garage door opener. Please read the following warnings before proceeding to the installation section.**

### HARDWARE



Hex Screw #8x3/8"  
(Packed with the sprocket cover)



# IMPORTANT INSTALLATION INSTRUCTIONS



## To reduce the risk of SEVERE INJURY or DEATH:

1. READ AND FOLLOW ALL INSTALLATION WARNINGS AND INSTRUCTIONS.
2. Install garage door opener ONLY on properly balanced and lubricated garage door. An improperly balanced door may NOT reverse when required and could result in SEVERE INJURY or DEATH.
3. ALL repairs to cables, spring assemblies and other hardware MUST be made by a trained door systems technician BEFORE installing opener.
4. Disable ALL locks and remove ALL ropes connected to garage door BEFORE installing opener to avoid entanglement.
5. Where possible, install the door opener 7 feet or more above the floor.
6. Mount the emergency release within reach, but at least 6 feet (1.83 m) above the floor and avoiding contact with vehicles to avoid accidental release.
7. NEVER connect garage door opener to power source until instructed to do so.
8. NEVER wear watches, rings or loose clothing while installing or servicing opener. They could be caught in garage door or opener mechanisms.
9. Install wall-mounted garage door control:
  - within sight of the garage door.
  - out of reach of small children at a minimum height of 5 feet (1.5 m) above floors, landings, steps or any other adjacent walking surface.
  - away from ALL moving parts of the door.
10. Place entrapment warning label on wall next to garage door control.
11. Place emergency release/safety reverse test label in plain view on inside of garage door.
12. Upon completion of installation, test safety reversal system. Door MUST reverse on contact with a 1-1/2" (3.8 cm) high object (or a 2x4 laid flat) on the floor.
13. To avoid SERIOUS PERSONAL INJURY or DEATH from electrocution, disconnect ALL electric and battery power BEFORE performing ANY service or maintenance.
14. DO NOT install on a one-piece door if using devices or features providing unattended close. Unattended devices and features are to be used ONLY with sectional doors.

# Installation

## STEP 1 Determine the header bracket location

### **WARNING**

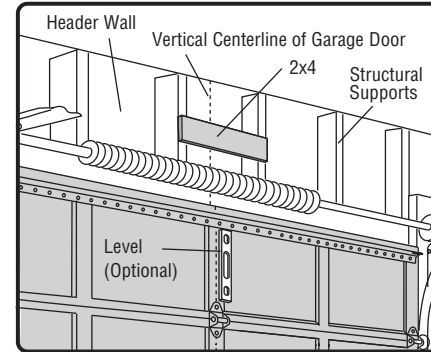
To prevent possible **SERIOUS INJURY** or **DEATH**:

- Header bracket **MUST** be **RIGIDLY** fastened to structural support on header wall or ceiling, otherwise garage door might **NOT** reverse when required. **DO NOT** install header bracket over drywall.
- Concrete anchors **MUST** be used if mounting header bracket or 2x4 into masonry.
- **NEVER** try to loosen, move or adjust garage door, springs, cables, pulleys, brackets, or their hardware, **ALL** of which are under **EXTREME** tension.
- **ALWAYS** call a trained door systems technician if garage door binds, sticks, or is out of balance. An unbalanced garage door might **NOT** reverse when required.

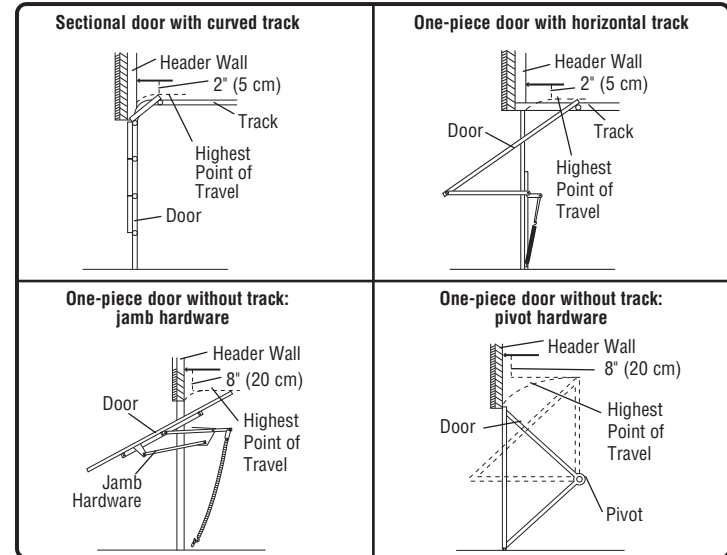
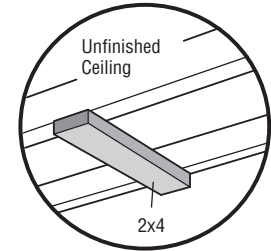
Installation procedures vary according to garage door types. Follow the instructions which apply to your door.

1. Close the door and mark the inside vertical centerline of the garage door.
2. Extend the line onto the header wall above the door. You can fasten the header bracket within 4 feet (1.22 m) of the left or right of the door center only if a torsion spring or center bearing plate is in the way; or you can attach it to the ceiling (see page 13) when clearance is minimal. (It may be mounted on the wall upside down if necessary, to gain approximately 1/2" (1 cm). If you need to install the header bracket on a 2x4 (on wall or ceiling), use lag screws (not provided) to securely fasten the 2x4 to structural supports as shown here and on page 13.
3. Open your door to the highest point of travel as shown. Draw an intersecting horizontal line on the header wall 2" (5 cm) above the high point:
  - 2" (5 cm) above the high point for sectional door and one-piece door with track.
  - 8" (20 cm) above the high point for one-piece door without track.

This height will provide travel clearance for the top edge of the door. **NOTE:** If the total number of inches exceeds the height available in your garage, use the maximum height possible, or refer to page 13 for ceiling installation.



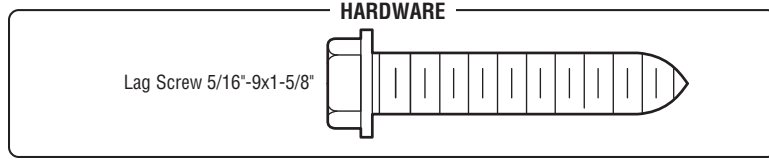
### OPTIONAL CEILING MOUNT FOR HEADER BRACKET



# Installation

## STEP 2 Install the header bracket

You can attach the header bracket either to the wall above the garage door, or to the ceiling. Follow the instructions which will work best for your particular requirements. **Do not install the header bracket over drywall. If installing into masonry, use concrete anchors (not provided).**



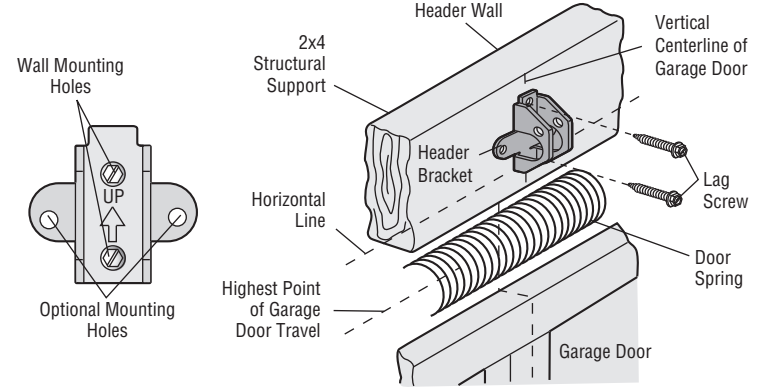
### OPTION A - WALL INSTALLATION

1. Center the bracket on the vertical centerline with the bottom edge of the bracket on the horizontal line as shown (with the arrow pointing toward the ceiling).
2. Mark the vertical set of bracket holes. Drill 3/16" pilot holes and fasten the bracket securely to a structural support with the hardware provided.

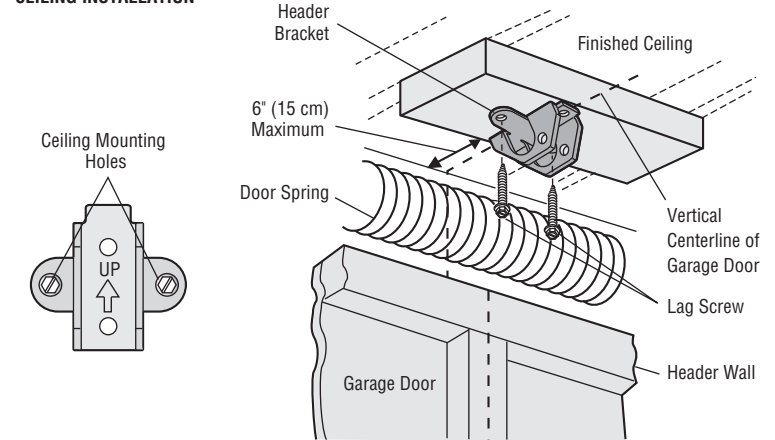
### OPTION B - CEILING INSTALLATION

1. Extend the vertical centerline onto the ceiling as shown.
2. Center the bracket on the vertical mark, no more than 6" (15 cm) from the wall. Make sure the arrow is pointing away from the wall. The bracket can be mounted flush against the ceiling when clearance is minimal.
3. Mark the side holes. Drill 3/16" pilot holes and fasten bracket securely to a structural support with the hardware provided.

### WALL INSTALLATION



### CEILING INSTALLATION



# Installation

## STEP 3 Attach the rail to the header bracket

1. Position the opener on the garage floor below the header bracket. Use packing material as a protective base.  
**NOTE:** If the door spring is in the way, you will need help. Have someone hold the opener securely on a temporary support to allow the rail to clear the spring.
2. Position the rail bracket against the header bracket.
3. Align the bracket holes and join with a clevis pin as shown.
4. Insert a ring fastener to secure.

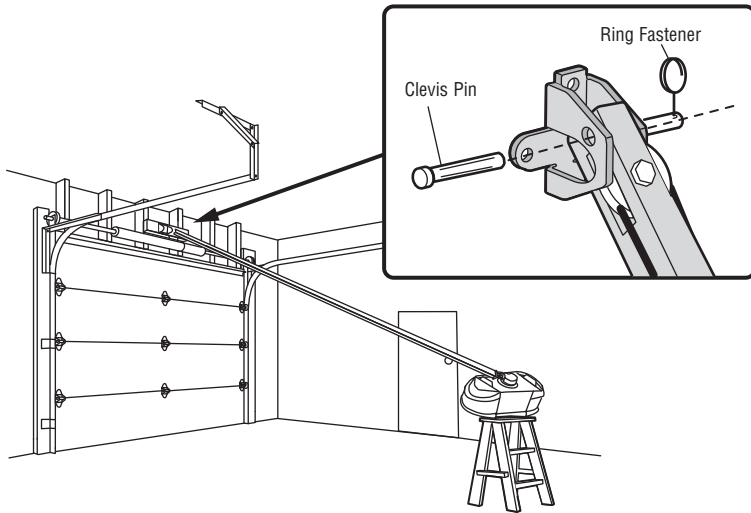
### HARDWARE



Clevis Pin  
5/16"x1-1/2"



Ring Fastener



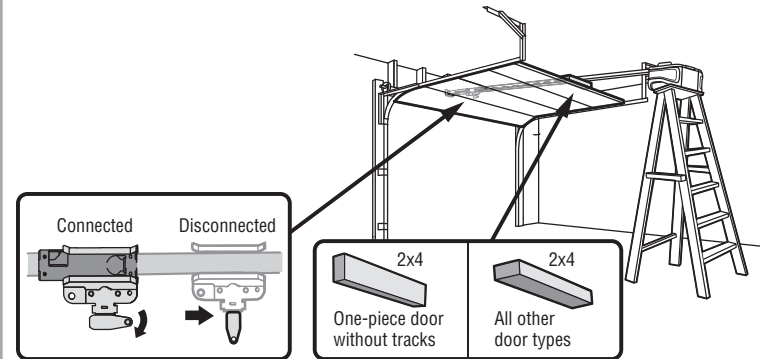
## STEP 4 Position the garage door opener

# CAUTION

To prevent damage to garage door, rest garage door opener rail on 2x4 placed on top section of door.

1. Remove the packing material and lift the garage door opener onto a ladder.
2. Fully open the door and place a 2x4 (laid flat) under the rail. For one-piece doors without tracks, lay the 2x4 on its side.

**NOTE:** A 2x4 is ideal for setting the distance between the rail and the door. If the ladder is not tall enough you will need help at this point. If the door hits the trolley when it is raised, pull the trolley release arm down to disconnect the inner and outer trolley. Slide the outer trolley toward the garage door opener. The trolley can remain disconnected until instructed.



# Installation

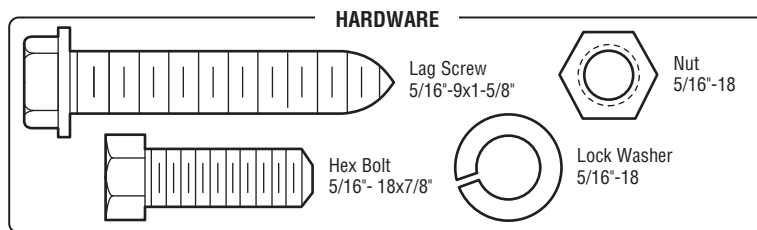
## STEP 5 Hang the garage door opener

### **WARNING**

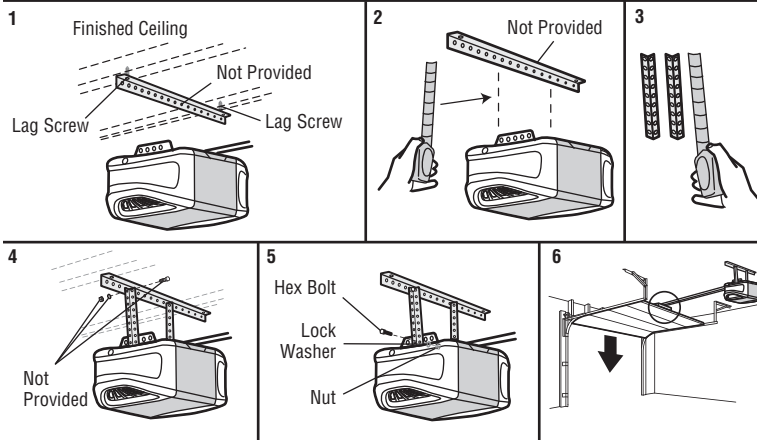
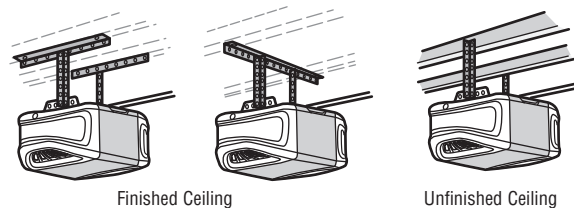
To avoid possible **SERIOUS INJURY** from a falling garage door opener, fasten it **SECURELY** to structural supports of the garage. Concrete anchors **MUST** be used if installing **ANY** brackets into masonry.

Hanging the garage door opener will vary depending on your garage. Below are three example installations. Your installation may be different. For **ALL** installations the garage door opener **MUST** be connected to structural supports. The instructions illustrate one of the examples below.

1. On finished ceilings, use the lag screws to attach a support bracket (not provided) to the structural supports before installing the garage door opener.
2. Make sure the garage door opener is aligned with the header bracket. Measure the distance from each side of the garage door opener to the support bracket.
3. Cut both pieces of the hanging bracket to required lengths.
4. Attach the end of each hanging bracket to the support bracket with appropriate hardware (not provided).
5. Attach the garage door opener to the hanging brackets with the hex bolts, lock washers, and nuts.
6. Remove the 2x4 and manually close the door. If the door hits the rail, raise the header bracket.



### EXAMPLES



# Installation

## STEP 6 Install the Light Bulbs

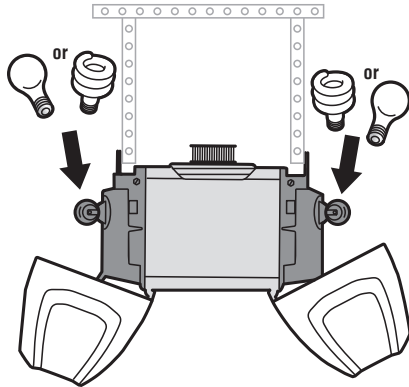
### CAUTION

To prevent possible OVERHEATING of the end panel or light socket:

- Use ONLY A19 incandescent (100W maximum) or compact fluorescent (26W maximum) light bulbs.
- DO NOT use incandescent bulbs larger than 100W.
- DO NOT use compact fluorescent light bulbs larger than 26W (100W equivalent).
- DO NOT use halogen bulbs.
- DO NOT use short neck or specialty light bulbs.

1. Pull on the top sides of the light lens and rotate the light lens down.
2. Insert an A19 incandescent (100W maximum) or compact fluorescent (26W, 100W equivalent) light bulb into the light socket.
3. Rotate the lens up to close.

**NOTE:** Do not use halogen, short neck, or specialty light bulbs as these may overheat the end panel or light socket. Do not use LED bulbs as they may reduce the range or performance of your remote controls.



## STEP 7 Attach the emergency release rope and handle

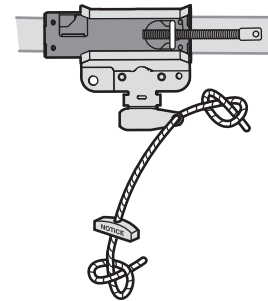
### ⚠ WARNING

To prevent possible SERIOUS INJURY or DEATH from a falling garage door:

- If possible, use emergency release handle to disengage trolley ONLY when garage door is CLOSED. Weak or broken springs or unbalanced door could result in an open door falling rapidly and/or unexpectedly.
- NEVER use emergency release handle unless garage doorway is clear of persons and obstructions.
- NEVER use handle to pull door open or closed. If rope knot becomes untied, you could fall.

1. Insert one end of the emergency release rope through the handle. Make sure that "NOTICE" is right side up. Secure with an overhand knot at least 1" (2.5 cm) from the end of the rope to prevent slipping.
2. Insert the other end of the emergency release rope through the hole in the trolley release arm. Mount the emergency release within reach, but at least 6 feet (1.83 m) above floor, avoiding contact with vehicles to prevent accidental release and secure with an overhand knot.

**NOTE:** If it is necessary to cut the emergency release rope, seal the cut end with a match or lighter to prevent unraveling. Ensure the emergency release rope and handle are above the top of all vehicles to avoid entanglement.





# Installation

## STEP 8 Install the door bracket

### CAUTION

Fiberglass, aluminum or lightweight steel garage doors **WILL REQUIRE** reinforcement **BEFORE** installation of door bracket. Contact the garage door manufacturer or installing dealer for opener reinforcement instructions or reinforcement kit. Failure to reinforce the top section as required according to the door manufacturer may void the door warranty.

A horizontal and vertical reinforcement is needed for lightweight garage doors (fiberglass, aluminum, steel, doors with glass panel, etc.) (not provided). A horizontal reinforcement brace should be long enough to be secured to two or three vertical supports. A vertical reinforcement brace should cover the height of the top panel. Contact the garage door manufacturer or installing dealer for opener reinforcement instructions or reinforcement kit.

**NOTE:** Many door reinforcement kits provide for direct attachment of the clevis pin and door arm. In this case you will not need the door bracket; proceed to the next step.

### OPTION A - SECTIONAL DOORS

1. Center the door bracket on the previously marked vertical centerline used for the header bracket installation. Note correct UP placement, as stamped inside the bracket.
2. Position the top edge of the bracket 2"-4" (5-10 cm) below the top edge of the door, OR directly below any structural support across the top of the door.
3. Mark, drill holes and install as follows, depending on your door's construction.

**Metal or light weight doors using a vertical angle iron brace between the door panel support and the door bracket:**

- Drill 3/16" fastening holes. Secure the door bracket using the two 1/4"-14x5/8" self-threading screws. (Figure 1)
- Alternately, use two 5/16"-18x2" bolts, lock washers and nuts (not provided). (Figure 2)

**Metal, insulated or light weight factory reinforced doors:**

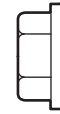
- Drill 3/16" fastening holes. Secure the door bracket using the self-threading screws. (Figure 3)

**Wood doors:**

- Use top and bottom or side to side door bracket holes. Drill 5/16" holes through the door and secure bracket with 5/16"-18x2" carriage bolts, lock washers and nuts (not provided). (Figure 4)

**NOTE:** The 1/4"-14x5/8" self-threading screws are not intended for use on wood doors.

### HARDWARE



Self-Threading Screw  
1/4"-14x5/8"

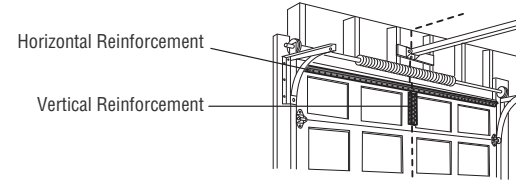


FIGURE 1

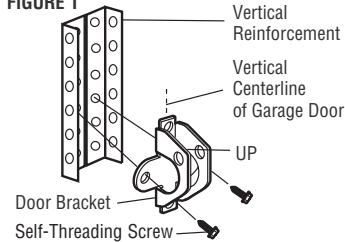


FIGURE 2

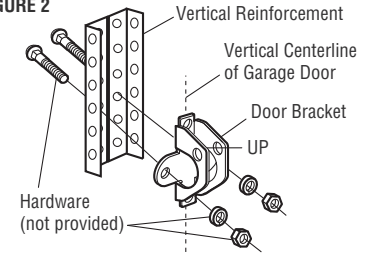


FIGURE 3

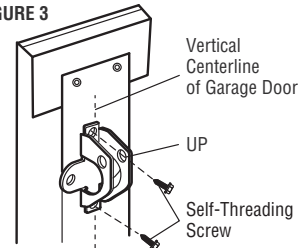
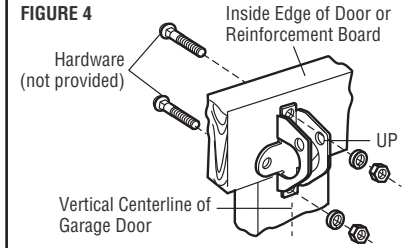


FIGURE 4



# Installation

## STEP 8 Install the door bracket (continued)

### OPTION B - ONE-PIECE DOORS

1. Center the door bracket on the top of the door, in line with the header bracket as shown.
2. Mark either the left and right, or the top and bottom holes.

#### Metal Doors:

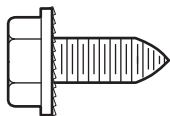
- Drill 3/16" pilot holes and fasten the bracket with the self-threading screws provided.

#### Wood Doors:

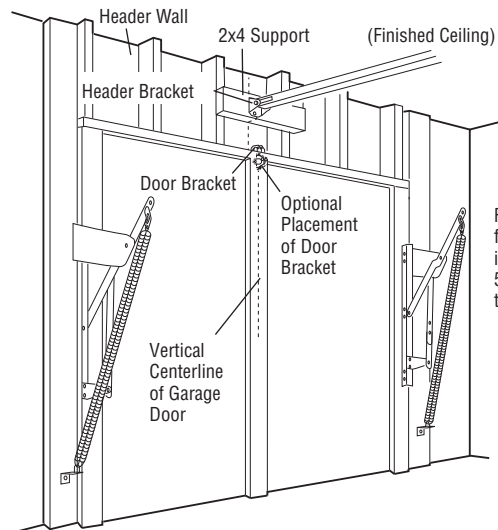
- Drill 5/16" holes and use 5/16"-18x2" carriage bolts, lock washers and nuts (not provided) or 5/16"x1-1/2" lag screws (not provided) depending on your installation needs.

**NOTE:** The door bracket may be installed on the top edge of the door if required for your installation. (Refer to the dotted line optional placement drawing.)

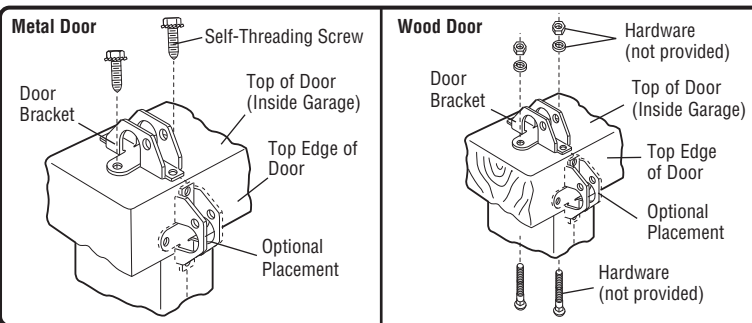
### HARDWARE



Self-Threading Screw  
1/4"-14x5/8"



For a door with no exposed framing, or for the optional installation, use lag screws 5/16"x1-1/2" (not provided) to fasten the door bracket.



# Installation

## STEP 9 Connect the door arm to the trolley

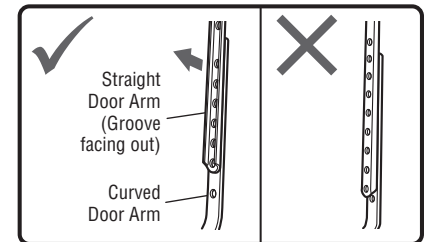
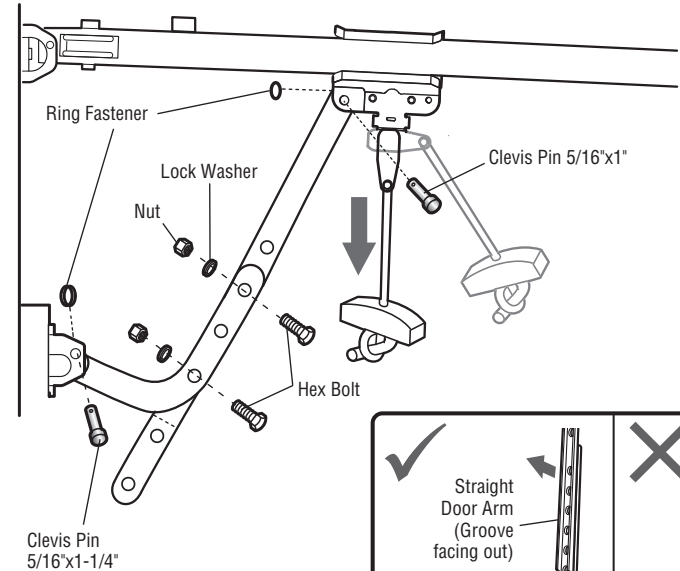
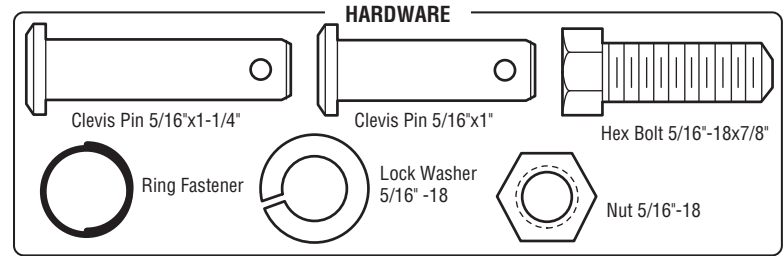
Installation will vary according to the garage door type. Follow the instructions which apply to your door.

### OPTION A - SECTIONAL DOORS

**IMPORTANT:** The groove on the straight door arm **MUST** face away from the curved door arm.

1. Close the door. Disconnect the trolley by pulling the emergency release handle.
2. Attach the straight door arm to the outer trolley using the clevis pin. Secure with the ring fastener.
3. Attach the curved door arm to the door bracket using the clevis pin. Secure with the ring fastener.
4. Bring arm sections together. Find two pairs of holes that line up and join sections. Select holes as far apart as possible to increase door arm rigidity and attach using the bolts, nuts, and lock washers.
5. Pull the emergency release handle toward the garage door opener until the trolley release arm is horizontal. The trolley will re-engage automatically when the garage door opener is activated.

**NOTE:** If the holes in the curved door arm and the straight door arm do not align, reverse the straight door arm, select two holes (as far apart as possible) and attach using bolts, nuts, and lock washers. If the straight door arm is hanging down too far, you may cut 6 inches (15 cm) from the solid end.



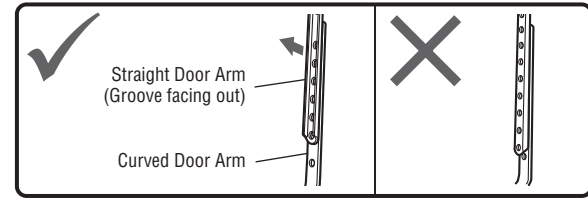
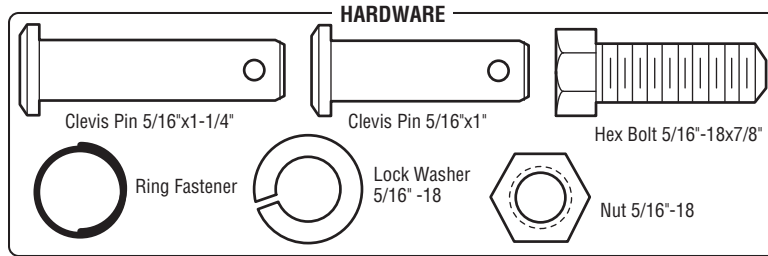
# Installation

## STEP 9 Connect the door arm to the trolley (continued)

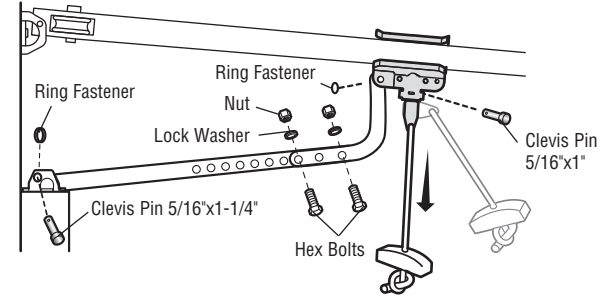
### OPTION B - ONE-PIECE DOORS

**IMPORTANT:** The groove on the straight door arm **MUST** face away from the curved door arm.

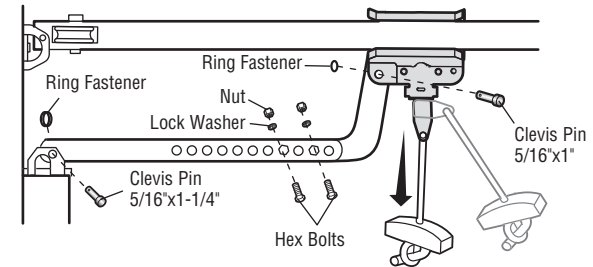
1. Close the door. Disconnect the trolley by pulling the emergency release handle.
2. Fasten the straight door arm and the curved door arm together to the longest possible length (with a 2 or 3 hole overlap) using the bolts, nuts, and lock washers.
3. Attach the straight door arm to the door bracket using the clevis pin. Secure with the ring fastener.
4. Attach the curved door arm to the trolley using the clevis pin. Secure with the ring fastener.
5. Pull the emergency release handle toward the garage door opener until the trolley release arm is horizontal.



### One-Piece Door without Track



### One-Piece Door with Track



# Installation

## STEP 10 Install the door control

### **WARNING**

To prevent possible **SERIOUS INJURY** or **DEATH** from electrocution:

- Be sure power is **NOT** connected **BEFORE** installing door control.
- Connect door control **ONLY** to 12 VOLT low voltage wires.

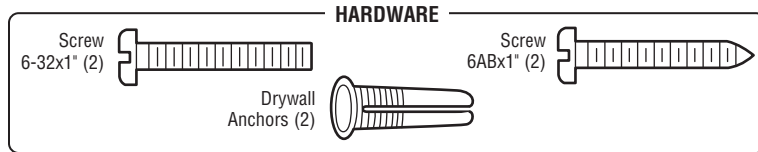
To prevent possible **SERIOUS INJURY** or **DEATH** from a closing garage door:

- Install door control within sight of garage door, out of reach of small children at a minimum height of 5 feet (1.5 m) above floors, landings, steps or any other adjacent walking surface, and away from **ALL** moving parts of door.
- **NEVER** permit children to operate or play with door control push buttons or remote control transmitters.
- Activate door **ONLY** when it can be seen clearly, is properly adjusted, and there are no obstructions to door travel.
- **ALWAYS** keep garage door in sight until completely closed. **NEVER** permit anyone to cross path of closing garage door.

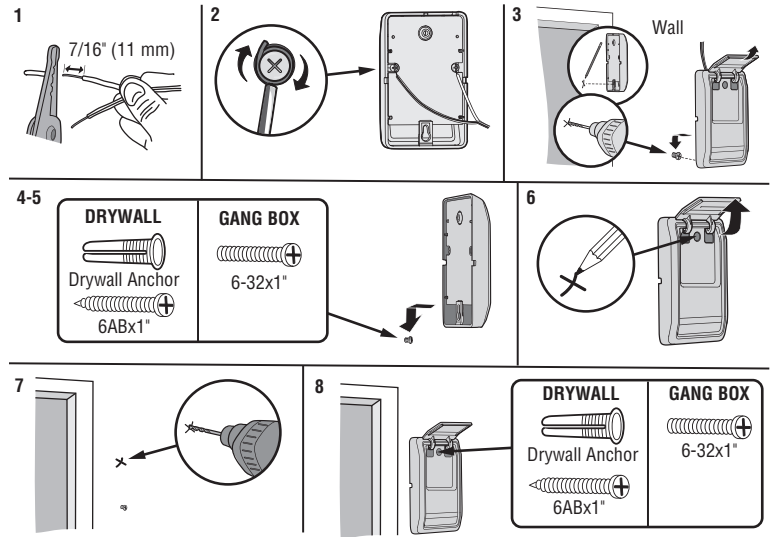
### INTRODUCTION

Older Chamberlain door controls and third party products are not compatible. Install the door control within sight of the door at a minimum height of 5 feet (1.5 m) above floors, landings, steps or any other adjacent walking surface, where small children cannot reach, and away from the moving parts of the door. For gang box installations it is not necessary to drill holes or install the drywall anchors. Use the existing holes in the gang box.

**NOTE:** Your product may look different than the illustrations.



1. Strip 7/16 inch (11 mm) of insulation from one end of the wire and separate the wires.
2. Connect one wire to each of the two screws on the back of the door control. The wires can be connected to either screw. If your garage is pre-wired for the door control choose any two wires to connect, note which wires are used so the correct wires are connected to the garage door opener in a later step.
3. Mark the location of the bottom mounting hole and drill a 5/32 inch hole.
4. Install the bottom screw, allowing 1/8 inch (3 mm) to protrude from the wall.
5. Position the bottom hole of the door control over the screw and slide down into place.
6. Lift the push bar up and mark the top hole.
7. Remove the door control from the wall and drill a 5/32 inch hole for the top screw.
8. Position the bottom hole of the door control over the screw and slide down into place. Attach the top screw.





# Installation

## STEP 13 Install the Protector System®

### **WARNING**

Be sure power is NOT connected to the garage door opener BEFORE installing the safety reversing sensor. To prevent SERIOUS INJURY or DEATH from closing garage door:

- Correctly connect and align the safety reversing sensor. This required safety device MUST NOT be disabled.
- Install the safety reversing sensor so beam is NO HIGHER than 6" (15 cm) above garage floor.

#### IMPORTANT INFORMATION ABOUT THE SAFETY REVERSING SENSORS

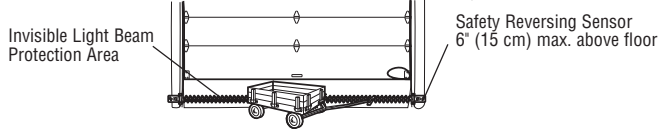
The safety reversing sensors must be connected and aligned correctly before the garage door opener will move in the down direction.

The sending sensor (with an amber LED) transmits an invisible light beam to the receiving sensor (with a green LED). If an obstruction breaks the light beam while the door is closing, the door will stop and reverse to the full open position, and the garage door opener lights will flash 10 times.

**NOTE:** For energy efficiency the garage door opener will enter sleep mode when the door is fully closed. The sleep mode shuts the garage door opener down until activated. The sleep mode is sequenced with the garage door opener light bulb; as the light bulb turns off the sensor LEDs will turn off and whenever the garage door opener lights turn on the sensor LEDs will light. The garage door opener will not go into the sleep mode until the garage door opener has completed 5 cycles upon power up.

When installing the safety reversing sensors check the following:

- Sensors are installed inside the garage, one on either side of the door.
- Sensors are facing each other with the lenses aligned and the receiving sensor lens does not receive direct sunlight.
- Sensors are no more than 6 inches (15 cm) above the floor and the light beam is unobstructed.



Facing the door from inside the garage

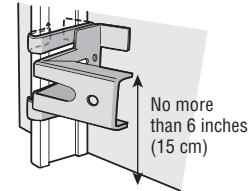


The safety reversing sensors can be attached to the door track, the wall, or the floor. The sensors should be no more than 6 inches (15 cm) above the floor. If the door track will not support the sensor bracket a wall installation is recommended. Choose one of the following installations.

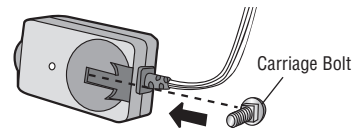
#### OPTION A - DOOR TRACK INSTALLATION

1. Slide the curved arms of the sensor bracket around the edge of the door track. Snap into place so that the sensor bracket is flush against the track.
2. Slide the carriage bolt into the slot on each sensor.
3. Insert the bolt through the hole in the sensor bracket and attach with the wing nut. The lenses on both sensors should point toward each other. Make sure the lens is not obstructed by the sensor bracket.

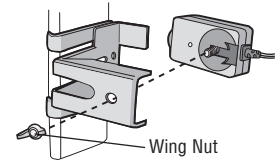
1



2



3



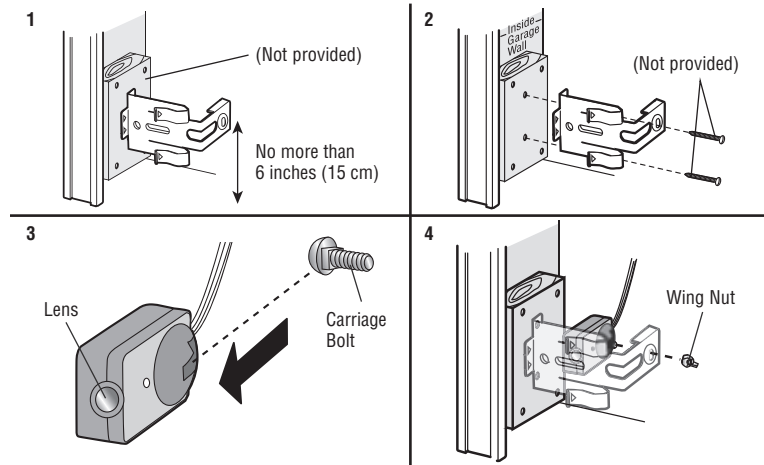
# Installation

## STEP 13 Install the Protector System® (continued)

### OPTION B - WALL INSTALLATION

If additional clearance is needed an extension bracket (not provided) or wood blocks can be used. Make sure each bracket has the same amount of clearance so they will align correctly.

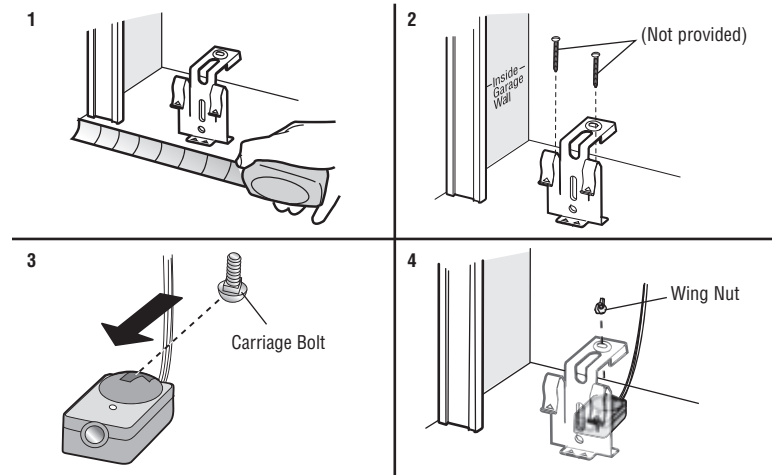
1. Position the sensor bracket against the wall with the curved arms facing the door. Make sure there is enough clearance for the beam to be unobstructed. Mark holes.
2. Drill 3/16 inch pilot holes for each sensor bracket and attach the sensor brackets to the wall using lag screws (not provided).
3. Slide the carriage bolt into the slot on each sensor.
4. Insert the bolt through the hole in the sensor bracket and attach with the wing nut. The lenses on both sensors should point toward each other. Make sure the lens is not obstructed by the sensor bracket.



### OPTION C - FLOOR INSTALLATION

Use an extension bracket (not provided) or wood block to raise the sensor bracket if needed.

1. Carefully measure the position of both sensor brackets so they will be the same distance from the wall and unobstructed.
2. Attach the sensor brackets to the floor using concrete anchors (not provided).
3. Slide the carriage bolt into the slot on each sensor.
4. Insert the bolt through the hole in the sensor bracket and attach with the wing nut. The lenses on both sensors should point toward each other. Make sure the lens is not obstructed by the sensor bracket.





# Installation

## STEP 14 Wire the Safety Reversing Sensors

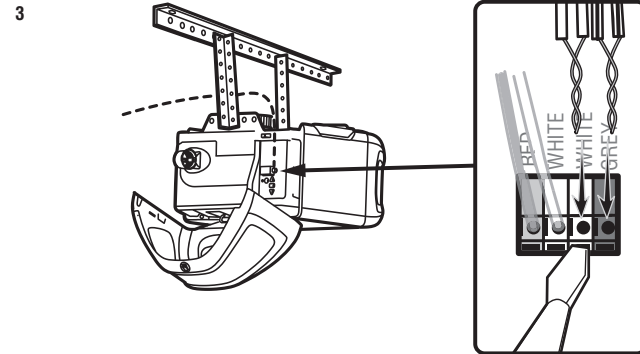
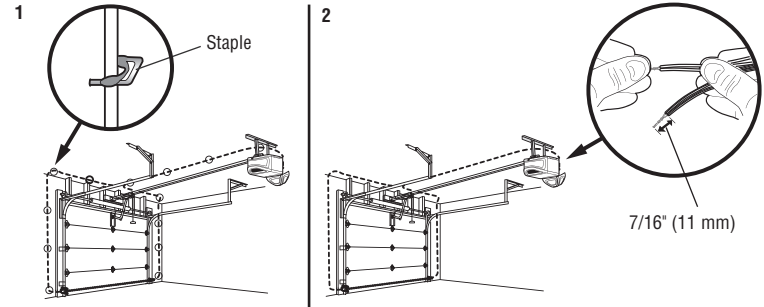
If your garage already has wires installed for the safety reversing sensors, proceed to page 26.

### OPTION A - INSTALLATION WITHOUT PRE-WIRING

1. Run the wire from both sensors to the garage door opener. Attach the wire to the wall and ceiling with the staples.
2. Strip 7/16 inch (11 mm) of insulation from each set of wires. Separate the wires. Twist the white wires together. Twist the white/black wires together.
3. Insert the white wires into the white terminal on the garage door opener. Insert the white/black wires into the grey terminal on the garage door opener. To insert or remove the wires from the terminal, push in the tab with a screwdriver tip.

### HARDWARE

Insulated Staple (Not Shown)

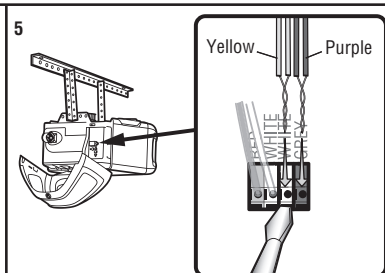
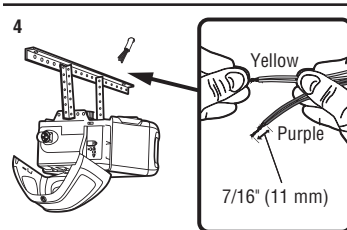
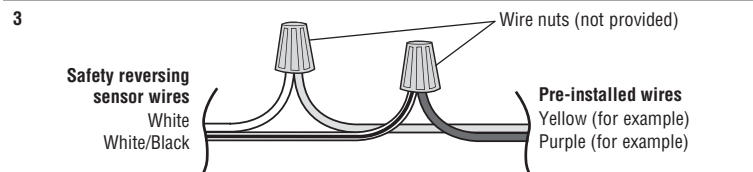
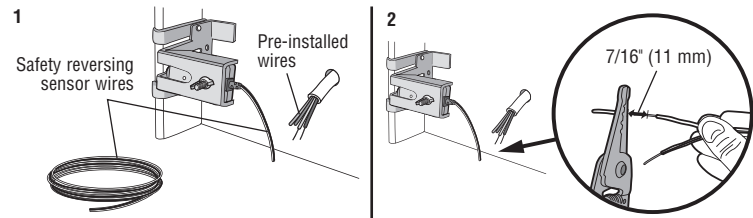


# Installation

## STEP 14 Wire the Safety Reversing Sensors (continued)

### OPTION B - PRE-WIRED INSTALLATION

1. Cut the end of the safety reversing sensor wire, making sure there is enough wire to reach the pre-installed wires from the wall.
2. Separate the safety reversing sensor wires and strip 7/16 inch (11 mm) of insulation from each end. Choose two of the pre-installed wires and strip 7/16 inch (11 mm) of insulation from each end. Make sure that you choose the same color pre-installed wires for each sensor.
3. Connect the pre-installed wires to the sensor wires with wire nuts making sure the colors correspond for each sensor. For example, the white wire would connect to the yellow wire and the white/black wire would connect to the purple wire.
4. At the garage door opener, strip 7/16 inch (11 mm) of insulation from each end of the wires previously chosen for the safety reversing sensors. Twist the like-colored wires together.
5. Insert the wires connected to the white safety sensor wires to the white terminal on the garage door opener. Insert the wires that are connected to the white/black safety sensor wires to the grey terminal on the garage door opener.



To insert or remove the wires from the terminal, push in the tab with a screwdriver tip.

# Installation

## STEP 15 Connect power

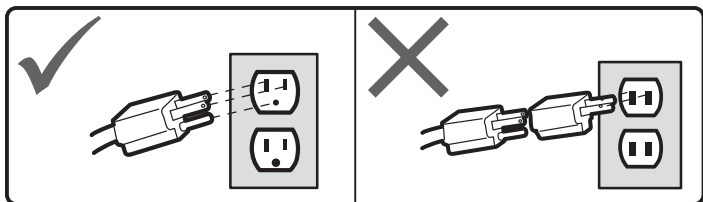
### **WARNING**

To prevent possible **SERIOUS INJURY** or **DEATH** from electrocution or fire:

- Be sure power is **NOT** connected to the opener, and disconnect power to circuit **BEFORE** removing cover to establish permanent wiring connection.
- Garage door installation and wiring **MUST** be in compliance with **ALL** local electrical and building codes.
- **NEVER** use an extension cord, 2-wire adapter, or change plug in **ANY** way to make it fit outlet. Be sure the opener is grounded.

**To avoid installation difficulties, do not run the opener at this time.**

To reduce the risk of electric shock, your garage door opener has a grounding type plug with a third grounding pin. This plug will only fit into a grounding type outlet. If the plug doesn't fit into the outlet you have, contact a qualified electrician to install the proper outlet.



**THERE ARE TWO OPTIONS FOR CONNECTING POWER:**

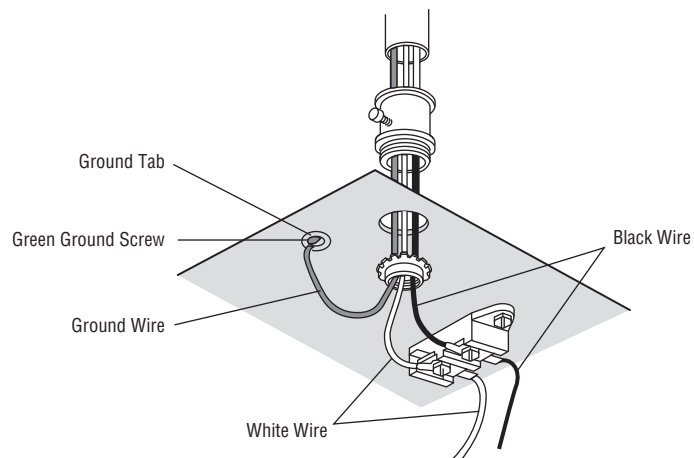
#### **OPTION A - TYPICAL WIRING**

1. Plug in the garage door opener into a grounded outlet.
2. **DO NOT** run garage door opener at this time.

#### **OPTION B - PERMANENT WIRING**

**If permanent wiring is required by your local code, refer to the following procedure. To make a permanent connection through the 7/8 inch hole in the top of the motor unit (according to local code):**

1. Remove the motor unit cover screws and set the cover aside.
2. Remove the attached 3-prong cord.
3. Connect the black (line) wire to the screw on the brass terminal; the white (neutral) wire to the screw on the silver terminal; and the ground wire to the green ground screw. **The opener must be grounded.**
4. Reinstall the cover.



# Installation

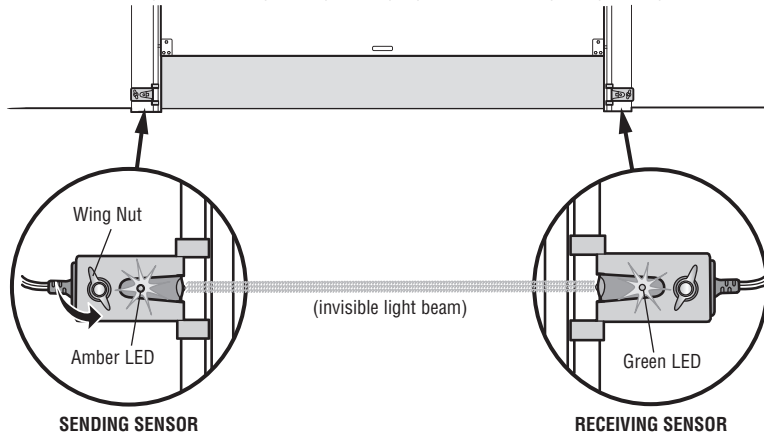
## STEP 16 Aligning the safety reversing sensors

The door will not close if the sensors have not been installed and aligned correctly.

When the light beam is obstructed or misaligned while the door is closing, the door will reverse and the garage door opener lights will flash ten times. If the door is already open, it will not close.

1. Check to make sure the LEDs in both sensors are glowing steadily. The LEDs in both sensors will glow steadily if they are aligned and wired correctly.

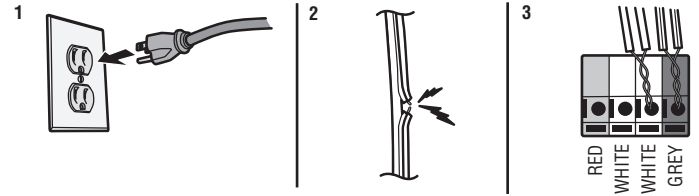
The sensors can be aligned by loosening the wing nuts, aligning the sensors, and tightening the wing nuts.



If the receiving sensor is in direct sunlight, switch it with sending sensor so it is on the opposite side of the door.

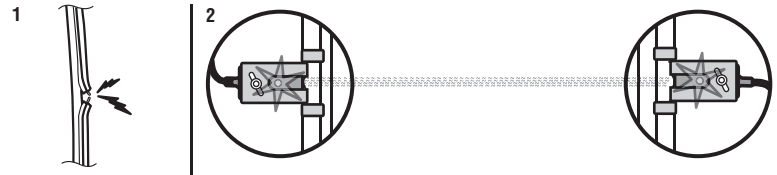
### IF THE AMBER LED ON THE SENDING SENSOR IS NOT GLOWING:

1. Make sure there is power to the garage door opener.
2. Make sure the sensor wire is not shorted/broken.
3. Make sure the sensor has been wired correctly: white wires to white terminal and white/black wires to grey terminal.



### IF THE GREEN LED ON THE RECEIVING SENSOR IS NOT GLOWING:

1. Make sure the sensor wire is not shorted/broken.
2. Make sure the sensors are aligned.



## STEP 17 Ensure the door control is wired correctly

If the door control has been installed and wired correctly, a message will display on the Smart Control Panel screen or the command LED on the Motion-Detecting Control Panel will blink.

# Adjustments

## Introduction

### **WARNING**

Without a properly installed safety reversal system, persons (particularly small children) could be **SERIOUSLY INJURED** or **KILLED** by a closing garage door.

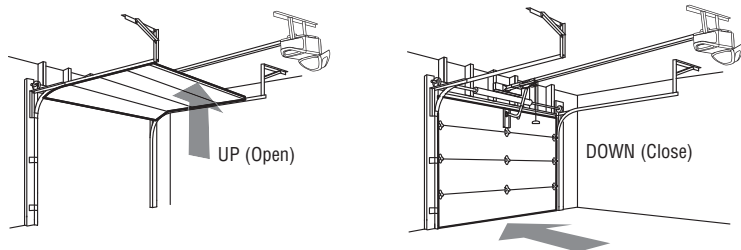
- Incorrect adjustment of garage door travel limits will interfere with proper operation of safety reversal system.
- After **ANY** adjustments are made, the safety reversal system **MUST** be tested. Door **MUST** reverse on contact with 1-1/2" (3.8 cm) high object (or 2x4 laid flat) on floor.

### **CAUTION**

To prevent damage to vehicles, be sure fully open door provides adequate clearance.

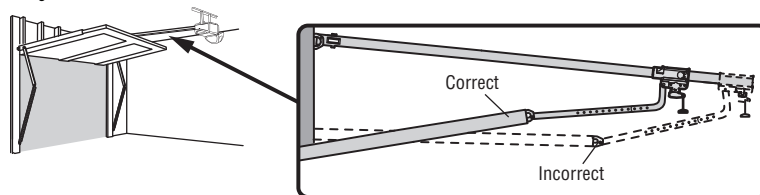
Your garage door opener is designed with electronic controls to make setup and adjustments easy. The adjustments allow you to program where the door will stop in the open (UP) and close (DOWN) position. The electronic controls sense the amount of force required to open and close the door. The force is adjusted automatically when you program the travel.

**NOTE:** If anything interferes with the door's upward travel it will stop. If anything interferes with the door's downward travel, it will reverse.



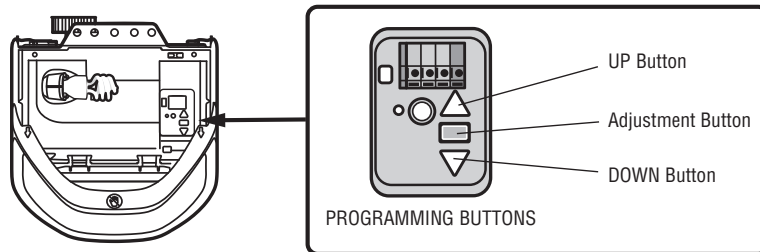
## One-Piece Doors Only

When setting the UP travel for a one-piece door ensure that the door does not slant backwards when fully open (UP). If the door is slanted backwards this will cause unnecessary bucking and/or jerking when the door is opening or closing.



## Programming Buttons

The programming buttons are located on the left side panel of the garage door opener and are used to program the travel. While programming, the UP and DOWN buttons can be used to move the door as needed.



# Adjustments

## STEP 1 Program the Travel

### WARNING

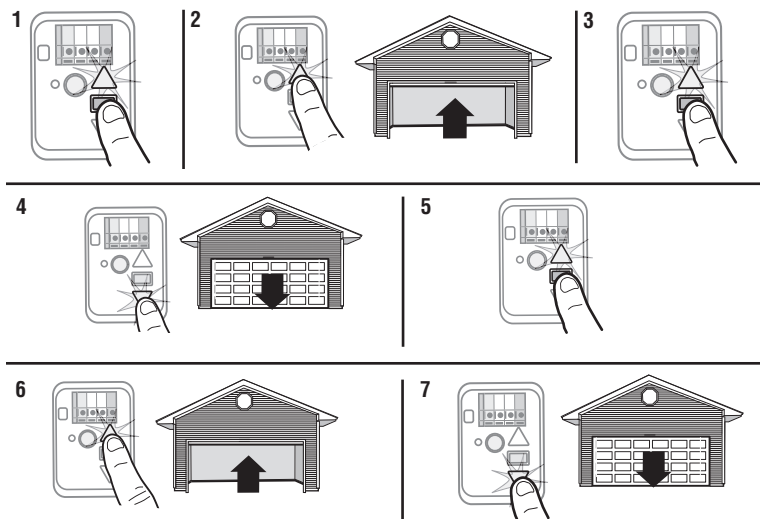
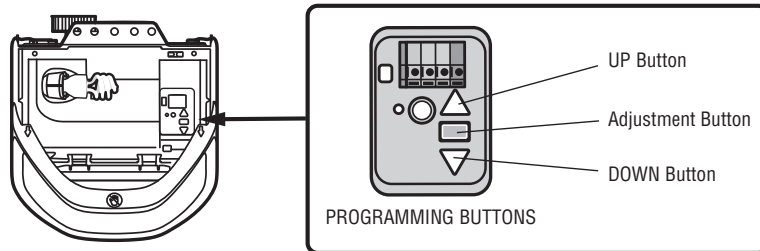
Without a properly installed safety reversal system, persons (particularly small children) could be SERIOUSLY INJURED or KILLED by a closing garage door.

- Incorrect adjustment of garage door travel limits will interfere with proper operation of safety reversal system.
- After ANY adjustments are made, the safety reversal system MUST be tested. Door MUST reverse on contact with 1-1/2" (3.8 cm) high object (or 2x4 laid flat) on floor.

While programming, the UP and DOWN buttons can be used to move the door as needed.

1. Press and hold the Adjustment Button until the UP Button begins to flash and/or a beep is heard.
2. Press and hold the UP Button until the door is in the desired UP position.
3. Once the door is in the desired UP position press and release the Adjustment Button. The garage door opener lights will flash twice and the DOWN Button will begin to flash. **IMPORTANT NOTE:** For one-piece door installations refer to page 29.
4. Press and hold the DOWN button until the door is in the desired DOWN position.
5. Once the door is in the desired DOWN position press and release the Adjustment Button. The garage door opener lights will flash twice and the UP Button will begin to flash.
6. Press and release the UP Button. When the door travels to the programmed UP position, the DOWN Button will begin to flash.
7. Press and release the DOWN Button. The door will travel to the programmed DOWN position. Programming is complete.

\* If the garage door opener lights are flashing 5 times during the steps for Program the Travel, the programming has timed out. If the garage door opener lights are flashing 10 times during the steps for Program the Travel, the safety reversing sensors are misaligned or obstructed (refer to page 28). When the sensors are aligned and unobstructed, cycle the door through a complete up and down cycle using the remote control or the UP and DOWN buttons. Programming is complete. If you are unable to operate the door up and down, repeat the steps for Programming the Travel.



To watch a video, go to [tinyurl.com/kwbnhj](https://tinyurl.com/kwbnhj)

# Adjustments

## STEP 2 Test the Safety Reversal System

### **WARNING**

Without a properly installed safety reversal system, persons (particularly small children) could be **SERIOUSLY INJURED** or **KILLED** by a closing garage door.

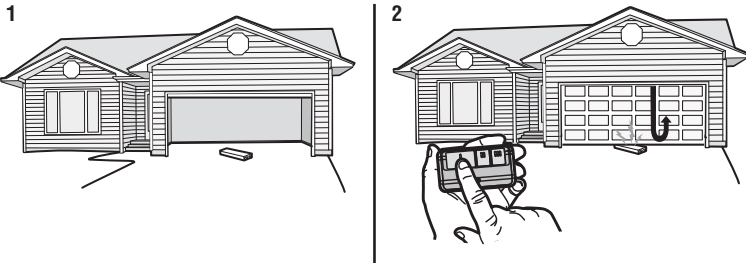
- Safety reversal system **MUST** be tested every month.
- After **ANY** adjustments are made, the safety reversal system **MUST** be tested. Door **MUST** reverse on contact with 1-1/2" (3.8 cm) high object (or 2x4 laid flat) on the floor.

1. With the door fully open, place a 1-1/2 inch (3.8 cm) board (or a 2x4 laid flat) on the floor, centered under the garage door.
2. Press the remote control push button to close the door. The door **MUST** reverse when it makes contact with the board.

If the door stops but does not reverse:

1. Review the installation instructions provided to insure all steps were followed;
2. Repeat Program the Travel (see Adjustment Step 1);
3. Repeat the Safety Reversal test.

If the test continues to fail, call a trained door systems technician.



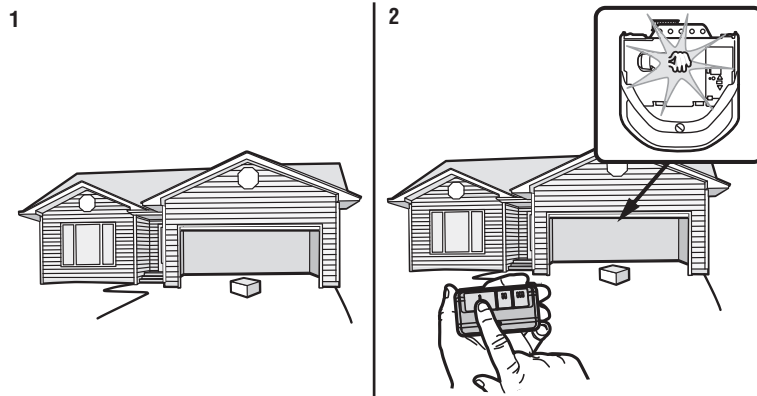
## STEP 3 Test the Protector System<sup>®</sup>

### **WARNING**

Without a properly installed safety reversing sensor, persons (particularly small children) could be **SERIOUSLY INJURED** or **KILLED** by a closing garage door.

1. Open the door. Place the garage door opener carton in the path of the door.
2. Press the remote control push button to close the door. The door will not move more than an inch (2.5 cm), and the garage door opener lights will flash 10 times.

The garage door opener will not close from a remote control if the LED in either safety reversing sensor is off (alerting you to the fact that the sensor is misaligned or obstructed). If the garage door opener closes the door when the safety reversing sensor is obstructed (and the sensors are no more than 6 inches [15 cm] above the floor), call for a trained door systems technician.



# Battery Backup

## STEP 1 Install the Battery



### WARNING

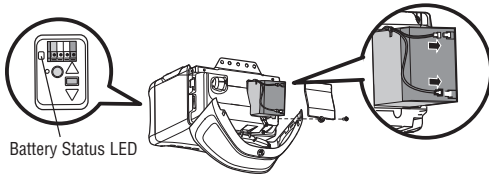
To reduce the risk of FIRE or INJURY to persons:

- Disconnect ALL electric and battery power BEFORE performing ANY service or maintenance.
- Use ONLY Chamberlain part # 41A6357-1 for replacement battery.
- DO NOT dispose of battery in fire. Battery may explode. Check with local codes for disposal instructions.

### CAUTION

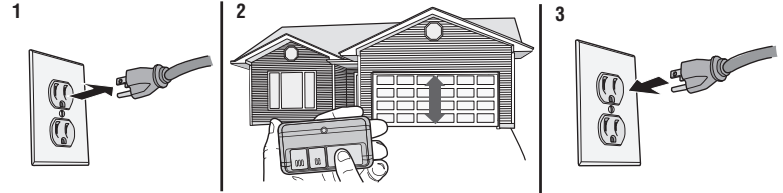
ALWAYS wear protective gloves and eye protection when changing the battery or working around the battery compartment.

1. Unplug the garage door opener.
2. Open the light lens on the right side panel of the garage door opener. Use a Phillips head screwdriver to remove the battery cover on the garage door opener.
3. Partially insert the battery into the battery compartment with the terminals facing out.
4. Connect red (+) and black (-) wires from the garage door opener to the corresponding terminals on the battery.
5. Replace the battery cover.
6. Plug in the garage door opener.
7. Wait for the green Battery Status LED to start flashing before proceeding to test the battery.



## STEP 2 Test the Battery

1. Unplug the garage door opener. The battery status LED will either glow solid orange indicating opener is operating on battery power or will flash indicating low battery power. **NOTE: Make sure the garage door opener is unplugged.**
2. Open and close the door using the remote control or door control. The garage door opener may run slower if the battery is not fully charged. The battery will take 24 hours to fully charge.
3. Plug in the garage door opener. Verify the battery status LED is flashing green, indicating the battery is charging.





# Battery Backup

## Charge the Battery

The battery charges when the garage door opener is plugged into a 120Vac electrical outlet that has power and requires 24 hours to fully charge. A fully charged battery supplies 12Vdc to the garage door opener for one to two days of normal operation during an electrical power outage. After the electrical power has been restored, the battery will recharge within 24 hours. The battery will last approximately 1 to 2 years with normal usage. Instructions for replacement are provided with the battery. To obtain maximum battery life and prevent damage, disconnect the battery when the garage door opener is unplugged for an extended period of time, such as a summer or winter home.

**NOTE:** When the garage door opener is in battery backup mode the garage door opener lights, Timer-to-Close, and Remote Close features are unavailable.

## Battery status LED

**NOTE:** The Battery Status LED is most visible with the garage door opener light off. Battery does not have to be fully charged to operate the garage door opener.

### GREEN LED:

All systems are normal.

- A solid green LED light indicates the battery is fully charged.
- A flashing green LED indicates the battery is being charged.

### ORANGE LED:

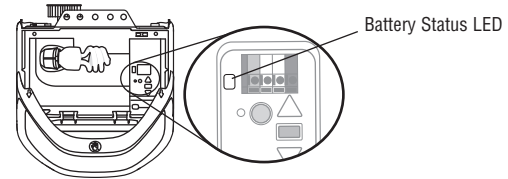
The garage door opener has lost power and is in battery backup mode.

- A solid orange LED with beep, sounding approximately every 2 seconds, indicates the garage door opener is operating on battery power.
- A flashing orange LED with beep, sounding every 30 seconds, indicates the battery is low.

### RED LED:

The garage door opener's 12V battery needs to be replaced.

- A solid red LED with beep, sounding every 30 seconds, indicates the 12V battery will no longer hold a charge and needs to be replaced. Please call for replacement battery to allow your system to operate during a power outage.



# IMPORTANT SAFETY INSTRUCTIONS



## To reduce the risk of SEVERE INJURY or DEATH:

1. READ AND FOLLOW ALL WARNINGS AND INSTRUCTIONS.
2. ALWAYS keep remote controls out of reach of children. NEVER permit children to operate or play with garage door control push buttons or remote controls.
3. ONLY activate garage door when it can be seen clearly, it is properly adjusted, and there are no obstructions to door travel.
4. ALWAYS keep garage door in sight and away from people and objects until completely closed. NO ONE SHOULD CROSS THE PATH OF THE MOVING DOOR.
5. NO ONE SHOULD GO UNDER A STOPPED, PARTIALLY OPENED DOOR.
6. If possible, use emergency release handle to disengage trolley ONLY when garage door is CLOSED. Use caution when using this release with the door open. Weak or broken springs or unbalanced door could result in an open door falling rapidly and/or unexpectedly and increasing the risk of SEVERE INJURY or DEATH.
7. NEVER use emergency release handle unless garage doorway is clear of persons and obstructions.
8. NEVER use handle to pull garage door open or closed. If rope knot becomes untied, you could fall.
9. After ANY adjustments are made, the safety reversal system MUST be tested.
10. Safety reversal system MUST be tested every month. Garage door MUST reverse on contact with 1-1/2" (3.8 cm) high object (or a 2x4 laid flat) on the floor. Failure to adjust the garage door opener properly increases the risk of SEVERE INJURY or DEATH.
11. ALWAYS KEEP GARAGE DOOR PROPERLY BALANCED (see page 2). An improperly balanced door may NOT reverse when required and could result in SEVERE INJURY or DEATH.
12. ALL repairs to cables, spring assemblies and other hardware, ALL of which are under EXTREME tension, MUST be made by a trained door systems technician.
13. ALWAYS disconnect electric and battery power to garage door opener BEFORE making ANY repairs or removing covers.
14. This operator system is equipped with an unattended operation feature. The door could move unexpectedly. NO ONE SHOULD CROSS THE PATH OF THE MOVING DOOR.
15. DO NOT install on a one-piece door if using devices or features providing unattended close. Unattended devices and features are to be used ONLY with sectional doors.

## 16. SAVE THESE INSTRUCTIONS.

# Operation

## Features

Your garage door opener is equipped with features to provide you with greater control over your garage door operation.

### MyQ®

MyQ® technology uses a 900MHz signal to provide two-way communication between the garage door opener and MyQ® enabled accessories. Your garage door opener is compatible with up to 8 MyQ® accessories. For Smartphone App control of your garage door opener and other MyQ® accessories, Chamberlain's MyQ® Internet Gateway (model CIGBU) is required.

### TIMER-TO-CLOSE (TTC)

The Timer-to-Close feature automatically closes the garage door after a specified time period. **DO NOT enable TTC if operating a one-piece door. TTC is to be used ONLY with sectional doors.** Factory default is set to off. The garage door opener will beep and the lights will flash before closing the door. The TTC feature will deactivate if the garage door encounters an obstruction twice; or the safety reversing sensors are incorrectly installed. The garage door will reverse open and WILL NOT close until the obstructions are clear or the safety reversing sensors are correctly installed. When the obstruction has been cleared or the safety reversing sensors have been aligned, the door will close when the garage door opener is activated. TTC WILL NOT work if the garage door opener is operating by battery power or if the safety reversing sensors are misaligned. This feature is NOT intended to be the primary method of closing the door. **A keyless entry should be installed in the event of an accidental lock out when using this feature.**

### REMOTE CONTROLS AND DOOR CONTROLS (MyQ®)

Your garage door opener has already been programmed at the factory to operate with your remote control, which changes with each use, randomly accessing over 100 billion new codes. Compatible with MyQ® enabled accessories, see page 44.

**NOTE:** Older Chamberlain remote controls, door controls, and third party products are not compatible.

MyQ® Accessories	MEMORY CAPACITY
Remote Controls	Up to 8
Door Controls	Up to 2 MyQ® door controls
Keyless Entries	Up to 1

## THE PROTECTOR SYSTEM® (SAFETY REVERSING SENSORS)

When properly connected and aligned, the safety reversing sensors will detect an obstruction in the path of the infrared beam. If an obstruction breaks the infrared beam while the door is closing, the door will stop and reverse to full open position, and the opener lights will flash 10 times. If the door is fully open, and the safety reversing sensors are not installed, or are misaligned, the door will not close from a remote control. However, you can close the door if you hold the button on the door control or keyless entry until the door is fully closed. The safety reversing sensors do not effect the opening cycle.

### ENERGY CONSERVATION

For energy efficiency the garage door opener will enter sleep mode when the door is fully closed. The sleep mode shuts the garage door opener down until activated. The sleep mode is sequenced with the garage door opener light bulb; as the light bulb turns off the sensor LEDs will turn off and whenever the garage door opener lights turn on the sensor LEDs will light. The garage door opener will not go into the sleep mode until the garage door opener has completed 5 cycles upon power up.

### LIGHTS

The garage door opener light bulbs will turn on when the opener is initially plugged in; power is restored after interruption, or when the garage door opener is activated. The lights will turn off automatically after 4-1/2 minutes. An incandescent A19 light bulb (100 watt maximum) or for maximum energy efficiency a 26W (100W equivalent) compact fluorescent light (CFL) bulb may be used. **NOTE:** Do not use halogen, short neck, or specialty light bulbs as these may overheat the end panel or light socket. Do not use LED bulbs as they may reduce the range or performance of your remote controls.

### Light Feature

The garage door opener is equipped with an added feature; the lights will turn on when someone enters through the open garage door and the safety reversing sensor infrared beam is broken. For added control over the light bulbs on your garage door opener, see pages page 36 and page 37.

### BATTERY BACKUP

The battery backup system allows access in and out of your garage, even when the power is out. When the garage door opener is operating on battery power, the garage door opener will run slower, the light will not function, the Battery Status LED will glow solid orange, and a beep will sound approximately every 2 seconds.

# Operation

## Using your Garage Door Opener

The garage door opener can be activated through a wall-mounted door control, remote control, wireless keyless entry or MyQ<sup>®</sup> accessory.

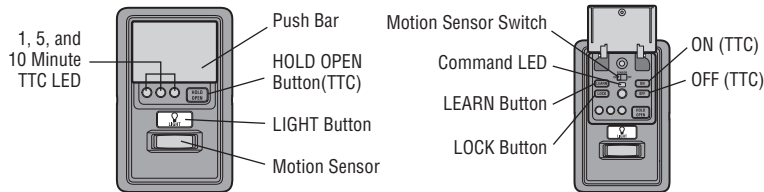
When the door is closed and the garage door opener is activated the door will open. If the door senses an obstruction or is interrupted while opening the door will stop. When the door is in any position other than closed and the garage door opener is activated the door will close. If the garage door opener senses an obstruction while closing, the door will reverse. If the obstruction interrupts the sensor beam the garage door opener lights will blink 10 times. However, you can close the door if you hold the button on the door control or keyless entry until the door is fully closed.

The safety reversing sensors do not affect the opening cycle. The safety reversing sensor must be connected and aligned correctly before the garage door opener will move in the down direction.

## Motion Detecting Control Panel

### SYNCHRONIZE THE DOOR CONTROL

To synchronize the door control to the garage door opener, press the push bar until the garage door opener activates (it may take up to 3 presses). Test the door control by pressing the push bar, each press of the push bar will activate the garage door opener.



### MOTION DETECTING CONTROL PANEL FEATURES

#### PUSH BAR

Press the push bar to open or close the door.

#### LIGHTS

##### Light Button

Press the LIGHT button to turn the garage door opener lights on or off. When the lights are turned on they will stay on until the LIGHT button is pressed again, or until the garage door opener is activated. Once the garage door opener is activated the lights will turn off after the specified period of time (the factory setting is 4-1/2 minutes). The LIGHT button will not control the lights when the door is in motion.

##### To change the amount of time the garage door opener lights will stay on:

Press and hold the LOCK button (approximately 10 seconds) until the garage door opener lights flash. The time interval is indicated by the number times the garage door opener flashes:

- 1 flash is 1-1/2 minutes
- 2 flashes is 2-1/2 minutes
- 3 flashes is 3-1/2 minutes
- 4 flashes is 4-1/2 minutes

To cycle through the time intervals repeat the step above.

#### Light Feature

The lights will turn on when someone enters through the open garage door and the safety reversing sensor infrared beam is broken.

- **Deactivate:** Press and hold the LIGHT button (approximately 10 seconds) until the garage door opener lights turn on, then off again.
- **Activate:** Start with the garage door opener lights on. Press and hold the LIGHT button (approximately 10 seconds) until the garage door opener lights turn off, then on again.

If the command LED is continuously blinking, the LOCK feature needs to be deactivated.

#### Motion Sensor

Factory default is set to on. This feature automatically turns on the garage door opener lights when motion is sensed. The lights will come on for the set period of time, then shut off. If using the garage door opener light as a work light disable the motion sensor, otherwise the light will turn off automatically if you are beyond the range of the sensor.

**Activate/Deactivate:** Slide the motion sensor switch ON or OFF.

# Operation

## Motion Detecting Control Panel (continued)

### LOCK

The LOCK feature is designed to prevent activation of the garage door opener from remote controls while still allowing activation from the door control and keyless entry. This feature is useful for added peace of mind when the home is empty (i.e. vacation).

- **Activate:** Press and hold the LOCK button for 2 seconds. The command LED will flash as long as the lock feature is activated and your handheld remote control will not operate your door at this time.
- **Deactivate:** Press and hold the LOCK button again for 2 seconds. The command LED will stop flashing and normal operation will resume.

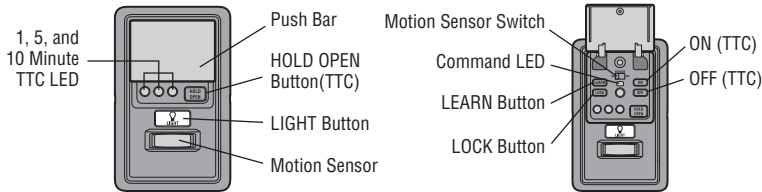
### TIMER-TO-CLOSE

**DO NOT enable TTC if operating a one-piece door.** The TTC can be turned on or off and the time interval can be adjusted to 1, 5, and 10 minute intervals. Once the TTC has been set and the door is open, the selected close interval will blink and begin to count down to close the door.

- **Activate:** Press and hold the ON button until one of the TTC LEDs light up. Then press the ON button again to cycle through the time interval options (the corresponding TTC LED will light for each time interval). The garage door opener light bulbs will blink as confirmation.
- **Deactivate:** Press and hold the OFF button until all TTC LEDs turn off and a beep is heard from the motor unit.
- **Temporarily hold door open (suspend TTC):** Press and release the HOLD OPEN button. Press the HOLD OPEN button again to resume normal TTC operation.

### PROGRAM

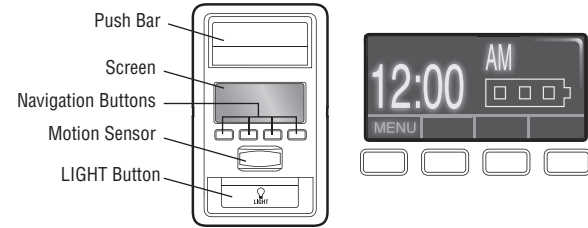
Any compatible remote controls, wireless keyless entry, or MyQ® accessories can be programmed to the garage door opener by pressing the Learn button.



## Smart Control Panel®

### SYNCHRONIZE THE DOOR CONTROL

To synchronize the door control to the garage door opener, press the push bar until the garage door opener activates (it may take up to 3 presses). Test the door control by pressing the push bar, each press of the push bar will activate the garage door opener.



### SMART CONTROL PANEL FEATURES

#### PUSH BAR

Press the push bar to open or close the door.

#### LIGHTS

##### Light Button

Press the LIGHT button to turn the garage door opener lights on or off. When the lights are turned on they will stay on until the LIGHT button is pressed again, or until the garage door opener is activated. Once the garage door opener is activated the lights will turn off after the specified period of time (the factory setting is 4-1/2 minutes). The LIGHT button will not control the lights when the door is in motion. The duration of the light timing can be adjusted by accessing the menu using the navigation buttons.

##### Motion Sensor

The motion sensor will automatically turn on the garage door opener lights when motion is detected. The lights will come on for the set period of time, then shut off. The factory setting is on and set at 4-1/2 minutes.

# Operation

## Smart Control Panel® (continued)

### Light Feature

The lights will turn on when someone enters through the open garage door and the safety reversing sensor infrared beam is broken. If using the garage door opener light as a work light, turn the light on using the light button on the wall control or the light will turn off if you are beyond the range of the sensor.

### LOCK

The LOCK feature is designed to prevent activation of the garage door opener from remote controls while still allowing activation from the door control and keyless entry. This feature is useful for added peace of mind when the home is empty (i.e. vacation).

When the Lock feature is on, your remote controls have been disabled and a message will display on the door control (Figure 1).

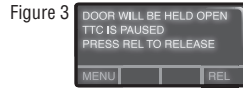
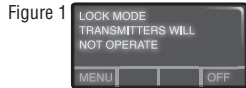
### TIMER-TO-CLOSE (TTC)

**DO NOT enable TTC if operating a one-piece door.** TTC can be set to automatically close your garage door from the fully open position after a specified period of time (1, 5, 10 minute intervals or a custom setting up to 99 minutes). The screen on the door control can display the status of the TTC. Once the TTC has been set and the door is open, the selected close interval will be displayed on the screen and toggle between the time and TTC message. When the TTC is on, a message will display on the door control screen (Figure 2).

To temporarily suspend the TTC feature press and release the HOLD button. Press REL button to resume normal TTC operation (Figure 3).

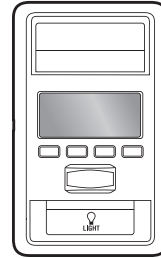
### BATTERY BACKUP

If your garage door opener has a battery backup one of two messages will display on the door control if there is a problem with the battery (Figures 4 and 5).



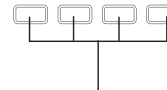
## SMART CONTROL PANEL MENU

The features on the door control can be programmed through a series of menus on the screen and the navigation buttons.



### Screen

The screen will display the time, temperature, and current battery charge (if applicable) until the menu button is pressed, and then it will display the menu options. If there is a problem with the garage door opener the screen will display the Diagnostic Code.



### Navigation Buttons

Use the navigation buttons to make selections and program features.

## FEATURES MENU

Press the navigation button below "MENU" to view the Features menu.



Set the time, choose 12 or 24 hour clock and show/hide clock.

Set the Timer-to-Close feature off/on and set the time interval before door closes.

Enable/disable lock.



Add remote controls, MyQ® devices, an extra remote button to control your garage door opener lights, or a keyless entry.

## SETTINGS MENU

Press the navigation button below the down arrow till you see TEMPERATURE to view the Settings menu.



Display the temperature in Fahrenheit or Celsius and show/hide the temperature.

Select a language.

Set duration for garage door opener light to stay on after operation, selectable range of 1-1/2 to 4-1/2 minutes. Turn the Motion sensor off/on, and turn the entry light feature off/on.



Adjust the contrast of the screen.

# Operation

## Remote Control and Keyless Entry

Pre-programmed remote control included, no need to program the remote.

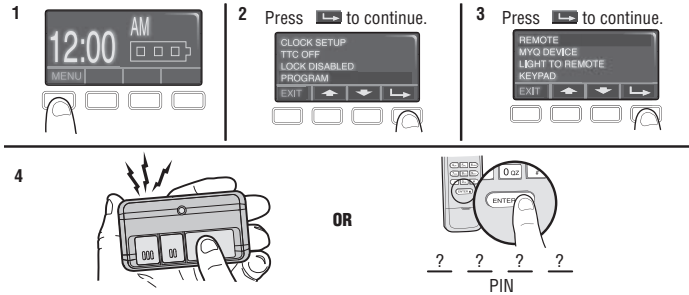
To add or reprogram a remote control, follow the instructions below. Older Chamberlain remote controls are NOT compatible, see page 44 for compatible accessories.

### PROGRAM USING THE DOOR CONTROL

1. Press the navigation button below "MENU" to view the Features menu.
2. Use the navigation buttons to scroll to "PROGRAM".
3. Select "REMOTE" or "KEYPAD" to program from the program menu.
4. **Remote Control:** Press the button on the remote control that you wish to operate your garage door.

**Keyless Entry:** Enter a 4-digit personal identification number (PIN) of your choice on the keyless entry keypad. Then press the ENTER button.

The garage door opener lights will flash (or two clicks will be heard) when the code has been programmed. Repeat the steps for programming additional remote controls or keyless entry devices. If programming is unsuccessful, repeat the steps using the learn button on the garage door opener.



To watch a video, go to [tinyurl.com/lcsf6xt](https://tinyurl.com/lcsf6xt)

## HomeLink®

If your vehicle is equipped with HomeLink, a Compatibility Bridge™ (not included) may be necessary for certain vehicles. Visit [bridge.chamberlain.com](https://bridge.chamberlain.com) to find out if a Bridge is needed.

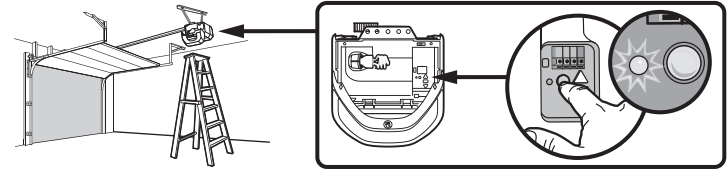
## To Erase the Memory

### ERASE ALL REMOTE CONTROLS AND KEYLESS ENTRIES

1. Press and hold the LEARN button on garage door opener until the learn LED goes out (approximately 6 seconds). All remote control and keyless entry codes are now erased. Reprogram any accessory you wish to use.

### ERASE ALL DEVICES (Including MyQ® enabled accessories)

1. Press and hold the LEARN button on garage door opener until the learn LED goes out (approximately 6 seconds).
2. Immediately press and hold the LEARN button again until the learn LED goes out. All codes are now erased. Reprogram any accessory you wish to use.



# Operation

## To Open the Door Manually

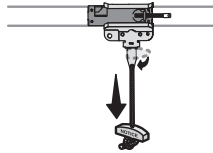
### **WARNING**

To prevent possible **SERIOUS INJURY** or **DEATH** from a falling garage door:

- If possible, use emergency release handle to disengage trolley **ONLY** when garage door is **CLOSED**. Weak or broken springs or unbalanced door could result in an open door falling rapidly and/or unexpectedly.
- **NEVER** use emergency release handle unless garage doorway is clear of persons and obstructions.
- **NEVER** use handle to pull door open or closed. If rope knot becomes untied, you could fall.

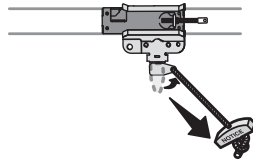
### **DISCONNECT THE TROLLEY**

1. The door should be fully closed if possible.
2. Pull down on the emergency release handle so the trolley release arm snaps to the vertical position. The door can now be raised and lowered as often as necessary.



### **TO RE-CONNECT THE TROLLEY**

1. Pull the emergency release handle toward the garage door opener so the trolley release arm snaps to the horizontal position. The trolley will reconnect on the next **UP** or **DOWN** operation, either manually or by using the door control or remote control.





# Maintenance

## Maintenance Schedule

### EVERY MONTH

- Manually operate door. If it is unbalanced or binding, call a trained door systems technician.
- Check to be sure door opens and closes fully. Adjust if necessary, see page 29.
- Test the safety reversal system. Adjust if necessary, see page 31.

### EVERY YEAR

- Oil door rollers, bearings and hinges. The garage door opener does not require additional lubrication. Do not grease the door tracks.
- Test the battery backup and consider replacing the battery to ensure the garage door opener will operate during an electrical power outage, see page 32 to test the battery backup.

NOTICE: This device complies with Part 15 of the FCC rules and Industry Canada's license-exempt RSSs. Operation is subject to the following two conditions: (1) this device may not cause harmful interference, and (2) this device must accept any interference received, including interference that may cause undesired operation.

Any changes or modifications not expressly approved by the party responsible for compliance could void the user's authority to operate the equipment.

This device must be installed to ensure a minimum 20 cm (8 in.) distance is maintained between users/bystanders and device.

This device has been tested and found to comply with the limits for a Class B digital device, pursuant to part 15 of the FCC rules and Industry Canada ICES standard. These limits are designed to provide reasonable protection against harmful interference in a residential installation. This equipment generates, uses and can radiate radio frequency energy and, if not installed and used in accordance with the instructions, may cause harmful interference to radio communications. However, there is no guarantee that interference will not occur in a particular installation. If this equipment does cause harmful interference to radio or television reception, which can be determined by turning the equipment off and on, the user is encouraged to try to correct the interference by one or more of the following measures:

- Reorient or relocate the receiving antenna.
- Increase the separation between the equipment and receiver.
- Connect the equipment into an outlet on a circuit different from that to which the receiver is connected.
- Consult the dealer or an experienced radio/TV technician for help.

## The Remote Control Battery

### **WARNING**

To prevent possible **SERIOUS INJURY** or **DEATH**:

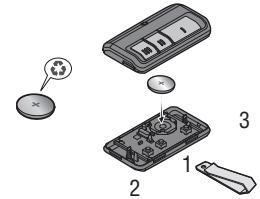
- **NEVER** allow small children near batteries.
- If battery is swallowed, immediately notify doctor.

To reduce risk of fire, explosion or chemical burn:

- Replace **ONLY** with 3V CR2032 coin batteries.
- **DO NOT** recharge, disassemble, heat above 212°F (100°C) or incinerate.

The 3V CR2032 Lithium battery should produce power for up to 3 years. If the battery is low, the remote control's LED will not flash when the button is pressed.

To replace battery, pry open the case first in the middle (1), then at each side (2 and 3) with the visor clip. Replace the batteries with only 3V CR2032 coin cell batteries. Insert battery positive side up. Dispose of old batteries properly.



# Troubleshooting

## Diagnostic Chart

Your garage door opener is programmed with self-diagnostic capabilities. The UP and DOWN arrows on the garage door opener flash the diagnostic codes.

DIAGNOSTIC CODE		SYMPTOM	SOLUTION
Up Arrow Flash(es)	Down Arrow Flash(es)		
1	1	The garage door opener will not close and the light bulbs flash.	Safety reversing sensors are not installed, connected, or wires may be cut. Inspect sensor wires for a disconnected or cut wire.
1	2	The garage door opener will not close and the light bulbs flash.	There is a short or reversed wire for the safety reversing sensors. Inspect safety sensor wire at all staple and connection points, replace wire or correct as needed.
1	3	The door control will not function.	The wires for the door control are shorted or the door control is faulty. Inspect door control wires at all staple and connection points, replace wire or correct as needed.
1	4	The garage door opener will not close and the light bulbs flash.	Safety reversing sensors are misaligned or were momentarily obstructed. Realign both sensors to ensure both LEDs are steady and not flickering. Make sure nothing is hanging or mounted on the door that would interrupt the sensor's path while closing.
1	5	Door moves 6-8" (15-20 cm) stops or reverses.	Manually open and close the door. Check for binding or obstructions, such as a broken spring or door lock, correct as needed. Check wiring connections at travel module and at the logic board. Replace travel module if necessary.
		No movement, only a single click.	Manually open and close the door. Check for binding or obstructions, such as a broken spring or door lock, correct as needed. Replace logic board if necessary.
		Opener hums for 1-2 seconds no movement.	Manually open and close the door. Check for binding or obstructions, such as a broken spring or door lock, correct as needed. Replace motor if necessary.
1	6	Door coasts after it has come to a complete stop.	Program travel to coasting position or have door balanced by a trained door systems technician.
2	1-5	No movement, or sound.	Replace logic board.
3	2	Unable to set the travel or retain position.	Check travel module for proper assembly, replace if necessary.
3	3	The battery status LED is constantly flashing green.	Battery backup charging circuit error, replace the logic board.

# Troubleshooting

DIAGNOSTIC CODE		SYMPTOM	SOLUTION
Up Arrow Flash(es)	Down Arrow Flash(es)		
4	1-4	Door is moving stops or reverses.	Manually open and close the door. Check for binding or obstructions, such as a broken spring or door lock, correct as needed. If the door is binding or sticking contact a trained door systems technician. If door is not binding or sticking attempt to reprogram travel (refer to page 30).
4	5	Opener runs approximately 6-8" (15-20 cm), stops and reverses.	Communication error to travel module. Check travel module connections, replace travel module if necessary.
4	6	The garage door opener will not close and the light bulbs flash.	Safety reversing sensors are misaligned or were momentarily obstructed. Realign both sensors to ensure both LEDs are steady and not flickering. Make sure nothing is hanging or mounted on the door that would interrupt the sensor's path while closing.

## Additional Troubleshooting

### The garage door opener can beep for several reasons:

- Operating on battery power or the 12 Vdc battery needs to be replaced, see page 32.
- Garage door opener has been activated through a device or feature such as Timer-to-Close or garage door monitor, see page 35.

### My remote control will not activate the garage door:

- Verify the lock feature is not activated on the door control.
- Reprogram the remote control.
- If the remote control will still not activate the door check the diagnostic codes to ensure the garage door opener is working properly.

### My door will not close and the light bulbs blink on my motor unit:

The safety reversing sensor must be connected and aligned correctly before the garage door opener will move in the down direction.

- Verify the safety reversing sensors are properly installed, aligned and free of any obstructions.

### My garage door opener light(s) will not turn off when the door is open:

The garage door opener is equipped with a feature that turns the light on when the safety reversing sensors have been obstructed or when the motion sensor on the door control detects movement in the garage. These features can be disabled using the door control, see page 36.

### My neighbor's remote control opens my garage door:

Erase the memory from your garage door opener and reprogram the remote control(s).

### The LEDs on the door control blink:

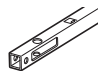
If you have a Smart Control Panel installed and the TTC is set to a custom time, press the ON button on the Premium Motion-Detecting Control Panel to set the time properly.

### My vehicle's Homelink® is not programming to my garage door opener:

Compatibility Bridge™ (not included) may be necessary for certain vehicles. Visit [bridge.chamberlain.com](http://bridge.chamberlain.com) to find out if a Bridge is needed.

# Accessories

## 8808CB 8 Foot (2.4 m) Rail Extension:



To allow an 8 foot (2.4 m) door to open fully.

## 041A5281-1 Extension Brackets:



(Optional) For safety reversing sensor installation onto the wall or floor.

## 953EV



### Remote Control:

Works with ALL Chamberlain openers from 1993-present. MyQ® compatible. Includes visor clip.

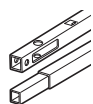
## 956EV



### Keychain Remote Control:

Works with ALL Chamberlain openers from 1993-present. MyQ® compatible. With key ring.

## 8810CB 10 Foot (3 m) Rail Extension:



To allow a 10 foot (3 m) door to open fully.

## CLLP1



### Laser Parking Assistant:

Park in the right spot every time! A laser beam is activated by your garage door opener and projected on to the dashboard of your vehicle to guide perfect parking.

## 940EV



### Wireless Keypad:

For use outside of the home to enable access to the garage using a 4-digit PIN. Works with ALL Chamberlain openers from 1993-present. MyQ® compatible.

## 41A6357-1 Standby Power System Battery:



Provides backup power to the garage door opener.

## 953ESTD



### Remote Control:

Works with ALL Chamberlain openers from 1993-present. MyQ® compatible. Includes visor clip.

## 041A7327-1 Motion Detecting Control Panel:



Multi-function door control with motion sensor that automatically turns opener lights on when it detects a person entering the garage. Security+ 2.0® compatible.

## 41A7305-1 Smart Control Panel®:



Displays temperature, time and system diagnostics; includes a push bar to open and close the door and a lock feature for extra security. Security+ 2.0® compatible.

## MyQ® Accessories

You can program up to 10 MyQ® accessories to your MyQ® account.

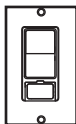
## PILCEV



### MyQ® Remote Lamp Control:

Monitor and control this plug in lamp switch with the MyQ® Smartphone App.

## WSLCEV



### MyQ® Interior/Exterior Light Switch

Monitor and control this wall light switch with the MyQ® Smartphone App.

## CIGBU



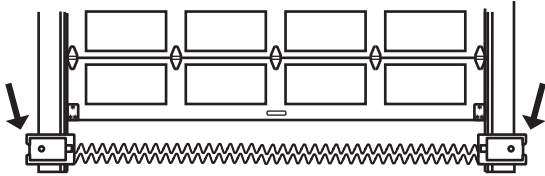
### MyQ® Internet Gateway:

Offers longer range wireless signal than standard Wi-Fi. Plugs into your home router as an optional way to provide MyQ® Smartphone Control for your garage door opener and MyQ® light controls.

# Warranty

## STOP!

This garage door opener **WILL NOT** work until the safety reversing sensors are properly installed and aligned.



## Contact Information

For installation and service information call:

**1-800-528-9131**

Before calling, please have the model number of the garage door opener.

If you are calling about a Troubleshooting issue, it is recommended that you have access to your garage door opener while calling.

If you are ordering a repair part please have the following information: part number, part name, and model number.

### CHAMBERLAIN® LIMITED WARRANTY

The Chamberlain Group, Inc.® (“Seller”) warrants to the first retail purchaser of this product, for the residence in which this product is originally installed, that it is free from defects in materials and/or workmanship for a specific period of time as defined below (the “Warranty Period”). The warranty period commences from the date of purchase.

WARRANTY PERIOD				
Parts	Motor	Accessories	Belt	Battery Backup
5 Years	Lifetime	1 year	Lifetime	1 year

The proper operation of this product is dependent on your compliance with the instructions regarding installation, operation, and maintenance and testing. Failure to comply strictly with those instructions will void this limited warranty in its entirety. If, during the limited warranty period, this product appears to contain a defect covered by this limited warranty, call 1-800-528-9131, toll free, before dismantling this product. You will be advised of disassembly and shipping instructions when you call. Then send the product or component, pre-paid and insured, as directed to our service center for warranty repair. Please include a brief description of the problem and a dated proof-of-purchase receipt with any product returned for warranty repair. Products returned to Seller for warranty repair, which upon receipt by Seller are confirmed to be defective and covered by this limited warranty, will be repaired or replaced (at Seller’s sole option) at no cost to you and returned pre-paid. Defective parts will be repaired or replaced with new or factory rebuilt parts at Seller’s sole option. [You are responsible for any costs incurred in removing and/or reinstalling the product or any component.]

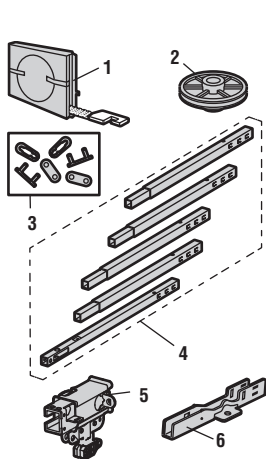
**ALL IMPLIED WARRANTIES FOR THE PRODUCT, INCLUDING BUT NOT LIMITED TO ANY IMPLIED WARRANTIES OF MERCHANTABILITY AND FITNESS FOR A PARTICULAR PURPOSE, ARE LIMITED IN DURATION TO THE APPLICABLE LIMITED WARRANTY PERIOD SET FORTH ABOVE FOR THE RELATED COMPONENT(S), AND NO IMPLIED WARRANTIES WILL EXIST OR APPLY AFTER SUCH PERIOD. Some States and Provinces do not allow limitations on how long an implied warranty lasts, so the above limitation may not apply to you. THIS LIMITED WARRANTY DOES NOT COVER NON-DEFECT DAMAGE, DAMAGE CAUSED BY IMPROPER INSTALLATION, OPERATION OR CARE (INCLUDING, BUT NOT LIMITED TO ABUSE, MISUSE, FAILURE TO PROVIDE REASONABLE AND NECESSARY MAINTENANCE, UNAUTHORIZED REPAIRS OR ANY ALTERATIONS TO THIS PRODUCT), LABOR CHARGES FOR REINSTALLING A REPAIRED OR REPLACED UNIT, REPLACEMENT OF CONSUMABLE ITEMS (E.G., BATTERIES IN REMOTE CONTROL TRANSMITTERS AND LIGHT BULBS), OR UNITS INSTALLED FOR NON-RESIDENTIAL USE. THIS LIMITED WARRANTY DOES NOT COVER ANY PROBLEMS WITH, OR RELATING TO, THE GARAGE DOOR OR GARAGE DOOR HARDWARE, INCLUDING BUT NOT LIMITED TO THE DOOR SPRINGS, DOOR ROLLERS, DOOR ALIGNMENT OR HINGES. THIS LIMITED WARRANTY ALSO DOES NOT COVER ANY PROBLEMS CAUSED BY INTERFERENCE. UNDER NO CIRCUMSTANCES SHALL SELLER BE LIABLE FOR CONSEQUENTIAL, INCIDENTAL OR SPECIAL DAMAGES ARISING IN CONNECTION WITH USE, OR INABILITY TO USE, THIS PRODUCT. IN NO EVENT SHALL SELLER’S LIABILITY FOR BREACH OF WARRANTY, BREACH OF CONTRACT, NEGLIGENCE OR STRICT LIABILITY EXCEED THE COST OF THE PRODUCT COVERED HEREBY. NO PERSON IS AUTHORIZED TO ASSUME FOR US ANY OTHER LIABILITY IN CONNECTION WITH THE SALE OF THIS PRODUCT.**

Some states and provinces do not allow the exclusion or limitation of consequential, incidental or special damages, so the above limitation or exclusion may not apply to you. This limited warranty gives you specific legal rights, and you may also have other rights, which vary from state to state and province to province.

# Repair Parts

## Rail Assembly Parts

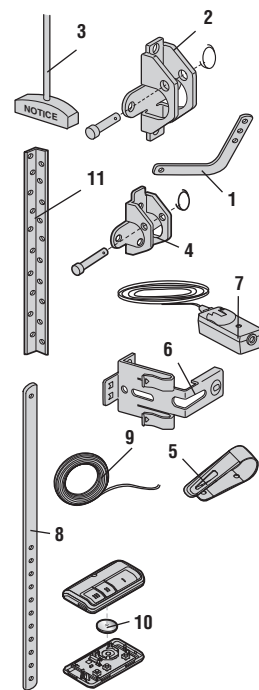
Description	Part Number
1 Belt	041A5250
2 Pulley	144C54
3 Master Link	4A1008
4 Rail	041A5665
5 Trolley Assembly	041C5141-2
6 "U" Bracket	041D0598-1



Not Shown	
Wear Pads	183A163
Hardware Bag	041A7920-2

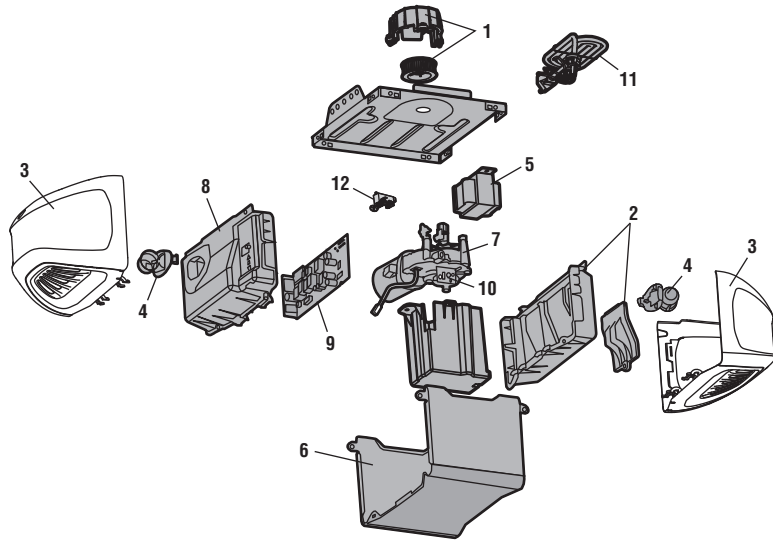
## Installation Parts

Description	Part Number
1 Curved Door Arm	178B35
2 Door Bracket with Clevis Pin and Fastener	41A5047-1
3 Emergency Release Rope and Handle	41A2828
4 Header Bracket with Clevis Pin and Fastener	41A5047-2
5 Remote Control Visor Clip	29B137
6 Safety Sensor Bracket	041A5266-3
7 Safety Sensor Kit	41A5034
8 Straight Door Arm	178B34
9 White and Red/White Wire	41B4494-1
10 3V CR2032 Lithium Battery	10A20
11 Hanging Brackets	12B776
Not Shown	
Owner's Manual	114A5038



# Repair Parts

## Garage Door Opener Parts



	Description	Part Number
1	Sprocket and Sprocket Cover with Screws	041C0589-2
2	End Panel with light socket	041D7639
3	Light Lens	041D7572
4	Light Socket	041C0279
5	Transformer	041A7635
6	Cover	041D8810
7	Motor with Travel Module	041D8006-1
8	End Panel for Receiver Logic Board with light socket	041D7368
9	Receiver Logic Board	045DCT
10	Travel Module	041D8071-4
11	Line Cord	041B4245-1
12	Terminal Block	041A3150
	<b>Not Shown</b>	
	Wire Harness	041B7610-1







# CHAMBERLAIN®

## Garage Opener

- Lire attentivement ce manuel ainsi que les consignes de sécurité!
- Après la pose, accrocher ce manuel près de la porte de garage pour s'y reporter ultérieurement.
- La porte NE SE FERMERA PAS si le Protector System® n'est pas branché et réglé correctement.
- Pour un bon fonctionnement en toute sécurité de cet ouvre-porte de garage, le vérifier et le régler périodiquement.

- L'étiquette du numéro de modèle est située sur le panneau gauche de votre ouvre-porte.
- Les ouvre-portes de garage est compatible UNIQUEMENT avec les accessoires MyQ® et Security+ 2.0®.
- NE PAS installer sur une porte rigide dans le cas de dispositifs ou fonctions permettant la fermeture non surveillée. Les dispositifs et fonctions non surveillés doivent être utilisés UNIQUEMENT avec des portes articulées.

## Manuel du propriétaire B730 • B730C • B740

Ouvre-porte de garage  
à courroie

### POUR RÉSIDENCES SEULEMENT

TÉLÉCOMMANDE PRÉPROGRAMMÉE  
INCLUSE



POUR REGARDER DES  
VIDÉOS, ALLER À :  
[tinyurl.com/lgh5x3h](http://tinyurl.com/lgh5x3h)

## Matières

Préparation .....	2-5
Montage .....	6-10
Installation .....	11-28
Pose de la commande de porte..	21-22
Installation du dispositif Protector System® .....	23-26
Raccordement de l'alimentation.....	27-28
Réglages .....	29-31
Pile de secours .....	32-33
Fonctionnement .....	34-40
Caractéristiques.....	35
Utilisation de votre ouvre-porte de garage .....	36
Panneau de commande .....	36-37
Smart Control Panel® .....	37-38
Télécommandes et émetteurs à code.....	39
HomeLink® .....	39
Pour effacer la mémoire .....	39
Ouverture manuelle de la porte .....	40
Entretien .....	41
Dépannage.....	42-43
Accessoires .....	44
Garantie.....	45
Pièces de réparation .....	46-47



[www.chamberlain.com](http://www.chamberlain.com)  
[www.mychamberlain.com](http://www.mychamberlain.com)

# Préparation

## Revue des symboles de sécurité et des mots de signalement

Cet ouvre-porte de garage a été conçu et mis à l'essai dans le but d'offrir un service sûr à condition qu'il soit installé, utilisé, entretenu et mis à l'essai en stricte conformité avec les instructions et les avertissements contenus dans le présent manuel.

### **AVERTISSEMENT**

Mécanique

### **AVERTISSEMENT**

Électrique

### **ATTENTION**



**AVERTISSEMENT** : Ce produit peut vous exposer à des produits chimiques comme le plomb, reconnu par l'État de la Californie comme cause de cancers, d'anomalies congénitales et d'autres problèmes liés à la reproduction. Pour plus d'informations, visitez [www.P65Warnings.ca.gov](http://www.P65Warnings.ca.gov)

## Fonctionnement non surveillé

La fonction de temporisation de fermeture (TTC), l'application de commande MyQ® pour téléphone intelligent, l'ouvre-porte de garage et le moniteur MyQ® sont des exemples de fermeture non surveillée et doivent être utilisés UNIQUEMENT avec des portes articulées. Tout dispositif ou toute fonction qui permettent la fermeture de la porte sans visibilité directe de celle-ci constitue une fermeture non surveillée. La fonction de temporisation de fermeture (TTC), la commande MyQ® pour téléphone intelligent et tous les autres dispositifs MyQ® doivent être utilisés UNIQUEMENT avec des portes articulées.

Lorsque vous verrez ces symboles de sécurité et ces mots de signalement sur les pages suivantes, ils vous aviseront de la possibilité de **blessures graves ou de mort** si vous ne vous conformez pas aux avertissements qui les accompagnent. Le danger peut être de source mécanique ou provenir d'un choc électrique. Lisez attentivement les avertissements.

Ce mot de signalement sur les pages suivantes vous avertit de la possibilité de dommages à votre porte de garage ou ouvre-porte de garage, ou les deux en cas de non conformité aux énoncés de mise en garde qui l'accompagnent. Prière de les lire attentivement.

## Vérification de la porte

### **AVERTISSEMENT**

Pour éviter des BLESSURES GRAVES, VOIRE MORTELLES :

- Appeler TOUJOURS un technicien formé en systèmes de porte si la porte de garage force ou est déséquilibrée. Une porte de garage déséquilibrée peut ne PAS remonter, au besoin.
- Ne JAMAIS tenter de desserrer, déplacer ou régler la porte de garage ainsi que les ressorts, câbles, poulies, supports de porte ou leurs ferrures de montage, lesquels sont TOUS sous une tension EXTRÊME.
- Désactiver TOUTES les serrures et retirer TOUTES les cordes raccordées à la porte de garage AVANT de poser et d'utiliser l'ouvre-porte de garage afin d'éviter un emmêlement.
- NE PAS installer sur une porte rigide dans le cas de dispositifs ou fonctions permettant la fermeture non surveillée. Les dispositifs et fonctions non surveillés doivent être utilisés UNIQUEMENT avec des portes articulées.

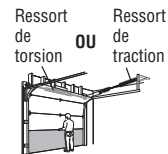
### **ATTENTION**

Pour prévenir les dommages à la porte de garage et à l'ouvre-porte :

- TOUJOURS désactiver les serrures AVANT de poser et d'utiliser l'ouvre-porte.
- Faire fonctionner l'ouvre-porte de garage UNIQUEMENT à une tension de 120 V, 60 Hz pour éviter les défauts de fonctionnement et les dommages.

Avant de commencer :

1. Désactiver les serrures et retirer toute corde raccordée à la porte de garage.
2. Soulever la porte à moitié. La relâcher. Si elle est équilibrée, elle devrait rester en place, entièrement supportée par ses ressorts.
3. Faire monter et descendre la porte pour vous assurer qu'elle ne force pas. Si votre porte force ou est déséquilibrée, appeler un technicien formé en systèmes de porte.
4. Vérifier le joint d'étanchéité situé sur la partie inférieure de la porte. Tout écartement entre le sol et le bas de la porte ne doit pas dépasser 6 mm (1/4 de po). Sinon le système inverseur de sécurité pourrait mal fonctionner.
5. S'il y a un ressort de torsion ou une plaque d'appui centrale dans le chemin du support de linteau, il peut être posé à moins de 1,2 m (4 pi) vers la gauche ou la droite de l'axe de la porte. Voir page 12.



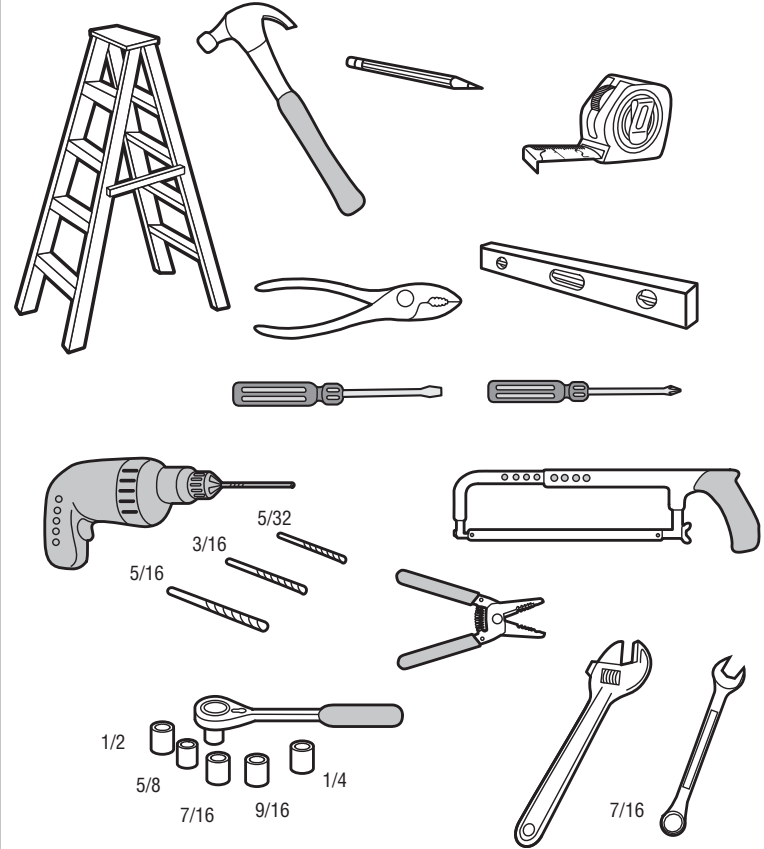
# Préparation

## Articles supplémentaires dont vous pourriez avoir besoin :

Examinez votre garage pour voir si vous avez besoin des articles suivants :

- **(2) PLANCHES DE BOIS 2X4**  
Peuvent servir à fixer le support du linteau aux supports structuraux. Servent aussi à positionner l'ouvre-porte de garage pendant l'installation et à tester des capteurs de l'inverseur de sécurité.
- **SUPPORT DE RALLONGE ET VISSERIE**  
Doivent être utilisés si le plafond de votre garage est fini.
- **SUPPORTS DE RALLONGE (MODÈLE 041A5281-1) OU BLOCS DE BOIS**  
Selon la construction de votre garage, des supports de rallonge ou des blocs de bois peuvent être nécessaires pour installer le capteur de l'inverseur de sécurité.
- **VISSERIE**  
Le montage au sol du détecteur inverseur de sécurité nécessitera des fixations non fournies.
- **RENFORT DE PORTE**  
Nécessaire lorsque le panneau de porte est en acier léger, en aluminium, en fibre de verre ou en verre.
- **TROUSSE DE RAIL DE RALLONGE**  
Nécessaire si la porte de votre garage mesure plus de 2,13 m (7 pi) de hauteur.

## Outils nécessaires



# Préparation

## Inventaire de la boîte

Conserver la boîte et le matériel d'emballage jusqu'au terme de la pose et du réglage. Les instructions pour ces accessoires seront attachées à ceux-ci et ne sont pas incluses dans ce manuel. Les illustrations de ce manuel ne sont fournies qu'à titre de référence; votre produit peut avoir une apparence différente.

Modèle	Alimentation	Commande de porte	Télécommande	Clavier sans fil
B730 B730C	Plus Lift Power System™	Détection de mouvement	3 boutons (2)	✓
B740	Plus Lift Power System™	Smart Control Panel	3 boutons (2)	✓

- A. Support du linteau
- B. Poulie
- C. Support de porte
- D. Bielle courbée
- E. Bielle droite
- F. Chariot

**REMARQUE :** S'assurer de monter le chariot avant de le faire glisser sur le rail.

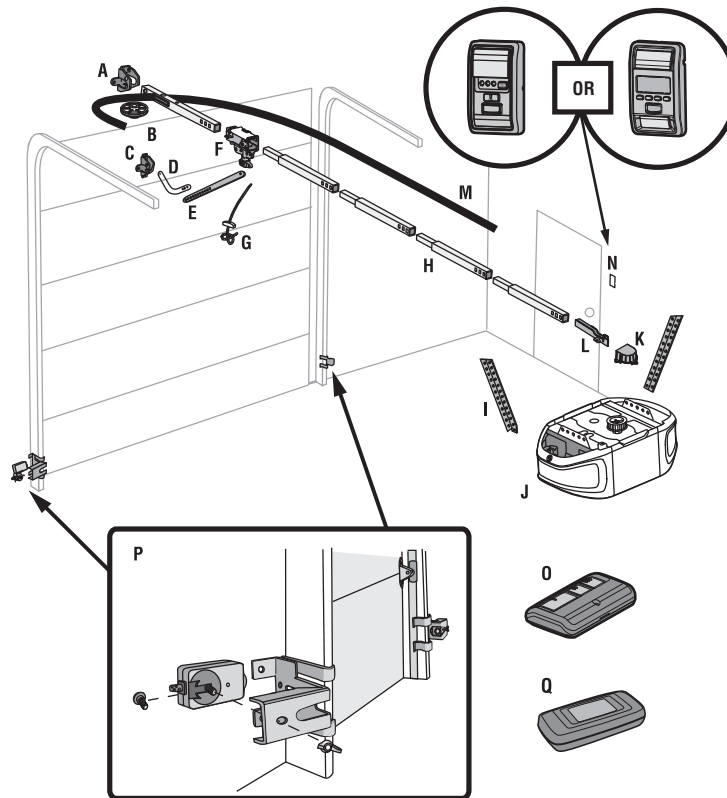
- G. Poignée et corde de déclenchement d'urgence
- H. Rail (1 section avant et 4 sections centrales)
- I. Supports de suspension (2)
- J. Ouvre-porte de garage (moteur)
- K. Carter de pignon et vis
- L. Support en « U »
- M. Courroie
- N. Commande de porte
- O. Télécommande
- P. **The Protector System®**

Capteurs d'inverseur de sécurité avec fil blanc et blanc/noir a deux conducteurs attaches : cellule émettrice capteur de transmission (1), capteur de réception (1) et supports de capteur d'inverseur de sécurité (2)

- Q. MyQ® Internet Gateway (Modèle B740)

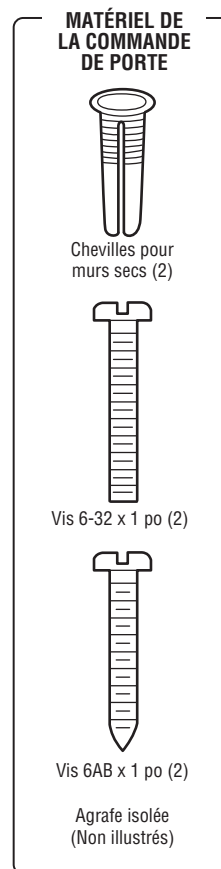
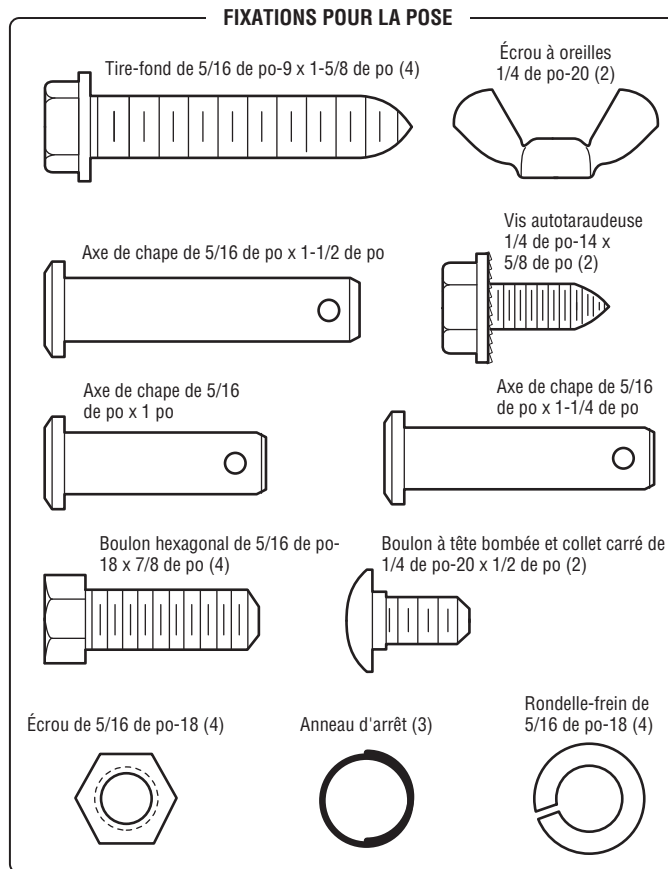
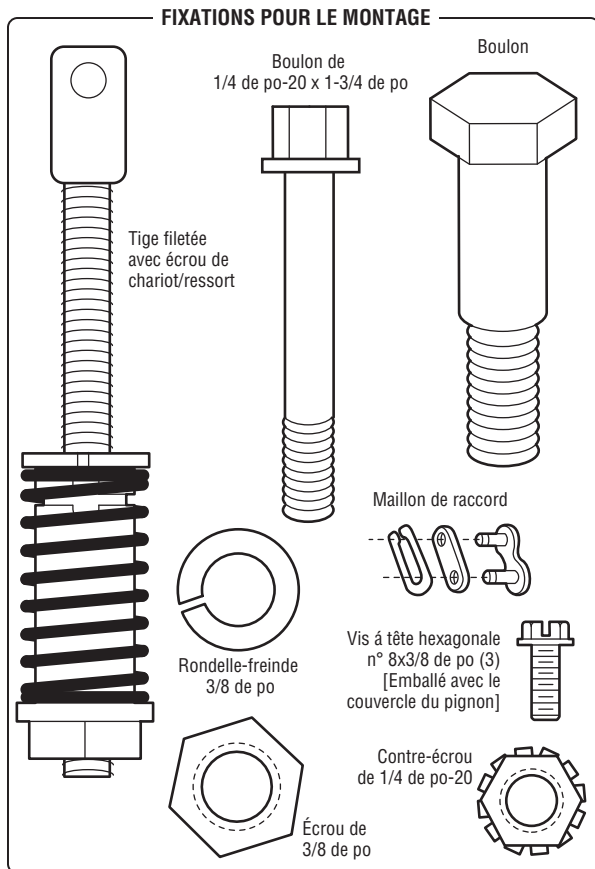
### NON ILLUSTRÉS

Clavier sans fil  
Fils blanc et rouge-blanc  
Manuel d'instructions  
Matériel



# Préparation

## Fixations



# Montage

## 1re Montage du rail et pose du chariot

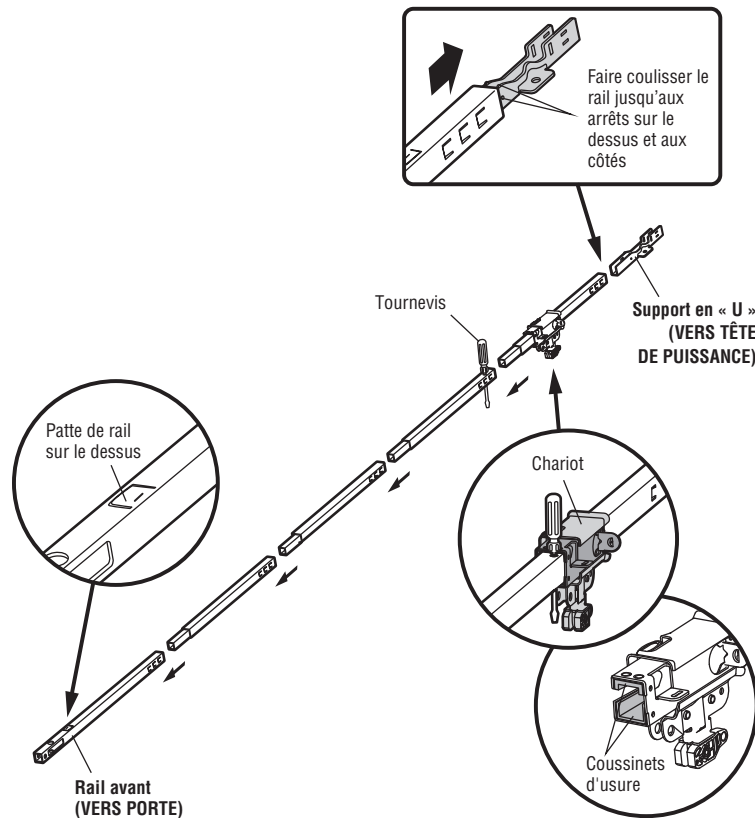
### ATTENTION

Afin de prévenir une BLESSURE occasionnée par un pincement, tenir les mains et les doigts loin des joints lors de l'assemblage du rail.

Pour éviter les difficultés pendant la pose, ne faire fonctionner l'ouvre-porte de garage que lorsque cela est expressément indiqué.

Le rail avant a une « fenêtre » découpée à l'extrémité porte. Cet onglet DOIT être sur le dessus du rail assemblé.

1. Retirer la bielle droite, les supports de suspension et l'axe de chape insérés à l'intérieur du rail avant et mettre de côté pour l'installation à l'étape 5 et 9. **REMARQUE :** Pour éviter toute BLESSURE lors du déballage du rail, retirer soigneusement le bras rectiligne de la porte inséré à l'intérieur de la section du rail.
2. Aligner les sections de rail sur une surface plate exactement comme illustré et faire glisser les extrémités effilées dans les plus grosses. Les pattes situées le long du côté se bloqueront en place.
3. Placer le moteur sur le matériel d'emballage afin de protéger le couvercle et reposer l'extrémité arrière du rail sur le dessus. Pour plus de commodité, placer un support sous l'extrémité avant du rail.
4. Comme butoir temporaire, insérez un tournevis dans l'orifice dans la deuxième section du rail en partant de la boîte du moteur, comme illustré.
5. S'assurer qu'il y a 4 coussinets d'usure en plastique à l'intérieur du chariot intérieur. S'ils se sont détachés durant l'expédition, vérifier tout le matériel d'emballage. Les remettre en place, comme illustré.
6. Faire glisser l'ensemble de chariot le long du rail depuis l'extrémité arrière vers les tournevis, comme montré.
7. Faire glisser le rail sur le Support en « U », jusqu'aux butées qui font saillie au-dessus et sur les côtés du support.



# Montage

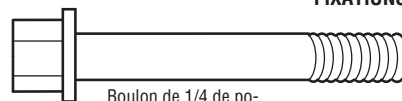
## 2e Fixation du rail au moteur

### ATTENTION

Afin d'éviter d'endommager SÉRIEUSEMENT l'ouvre-porte de garage, utiliser UNIQUEMENT les boulons et les fixations montés sur le dessus de l'ouvre-porte.

1. Insérer un boulon 1/4 de po-20 x 1-3/4 de po, une rondelle du trou du boulon de protection du couvercle situé à l'extrémité arrière du rail comme illustré. Serrer solidement à l'aide d'un contre-écrou de 1/4 de po-20. Ne PAS trop serrer.
2. Retirer les boulons du haut de moteur.
3. Utiliser le carton pour soutenir l'extrémité avant du rail.
4. Installer le support en « U », la surface plane orientée vers le bas contre moteur et aligner le trou du support avec le trou du boulon.
5. Serrer le support en « U » à l'aide des boulons retirés précédemment, NE PAS utiliser d'outils électriques. L'utilisation d'outils électriques pourrait endommager de manière permanente l'ouvre-porte de garage.

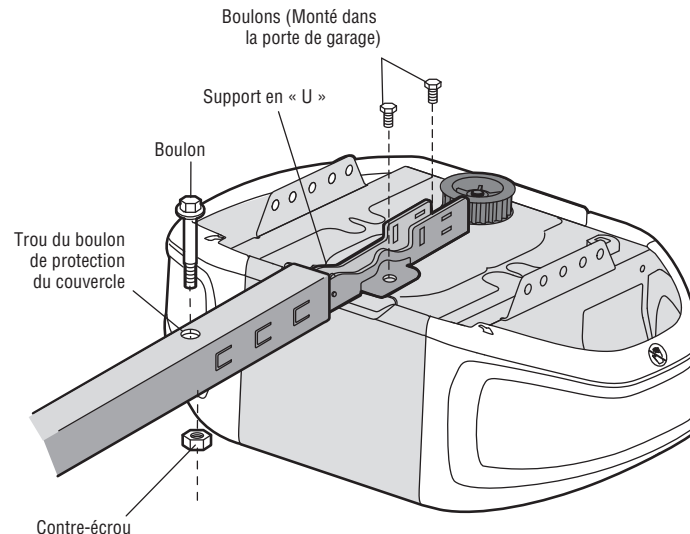
### FIXATIONS



Boulon de 1/4 de po-20 x 1-3/4 de po



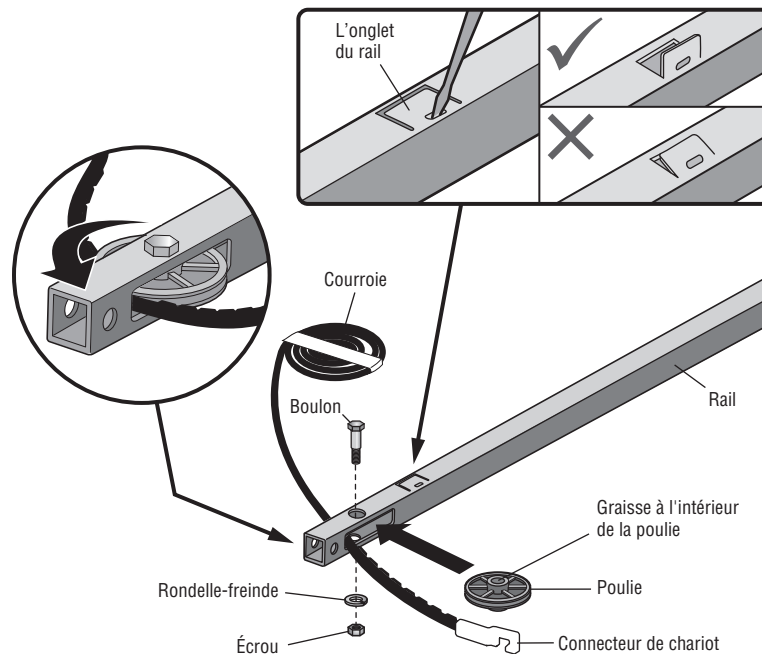
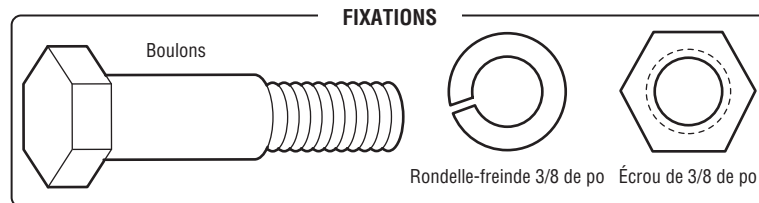
Contre-écrou  
1/4 de po-20



# Montage

## 3e Installation de la poulie

1. Poser la courroie à côté du rail, comme illustré. Saisir l'extrémité dotée du connecteur de chariot et passer environ 30 cm (12 po) de courroie à travers la fenêtre. Garder le côté nervuré vers le rail, et le laisser pendre jusqu'à la 4e opération de montage.
2. Retirer le ruban de la poulie. Le centre intérieur doit être prégraissé. S'il est sec, graisser à nouveau afin d'assurer un bon fonctionnement.
3. Placer la poulie dans la fenêtre comme illustré.
4. Insérer le boulon de tension depuis le dessus à travers le rail et la poulie. Serrer à l'aide d'une rondelle-frein de 3/8 de po et d'un écrou sous le rail jusqu'à compression de la rondelle-frein.
5. Faire tourner la poulie pour s'assurer qu'elle tourne librement.
6. Localiser l'onglet du rail. L'onglet du rail se trouve entre le boulon de tension et le chariot dans la section avant du rail. Utiliser un tournevis à tête plate et soulever l'onglet du rail à la verticale, c'est-à-dire à un angle de 90 degrés.

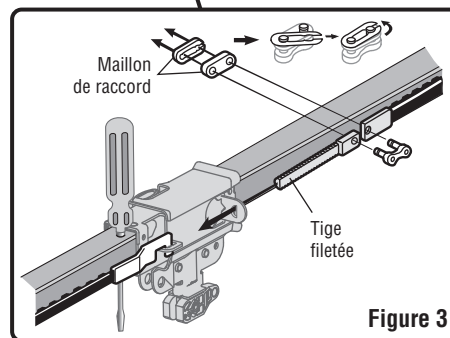
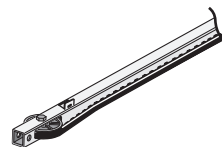
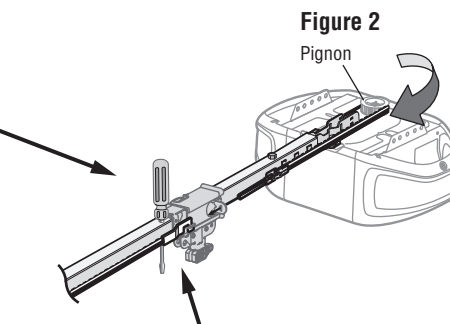
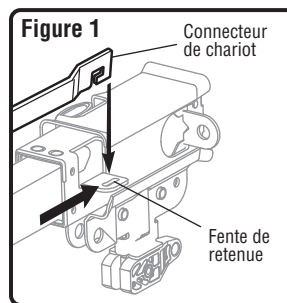
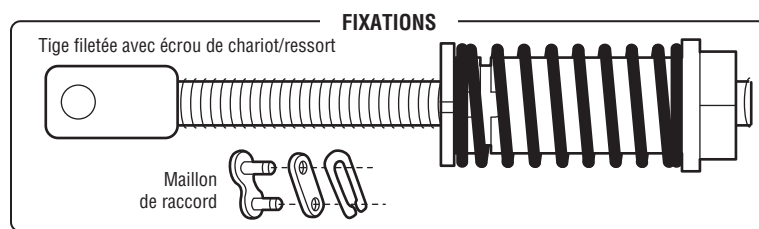




# Montage

## 4e Installation de la courroie

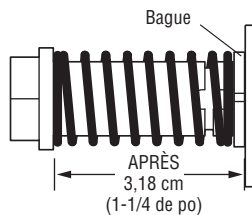
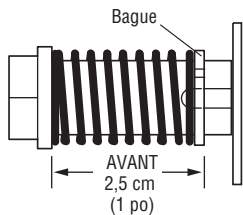
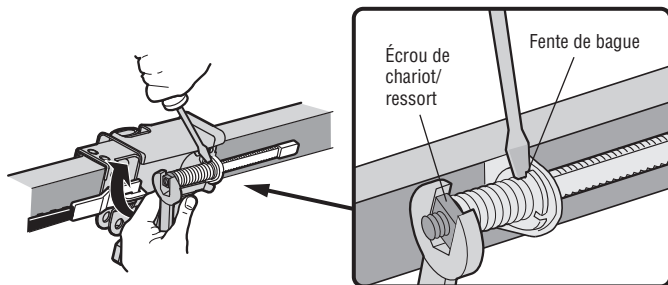
1. Tirer le courroie autour de la poulie et vers le chariot. Le côté côtelé doit être en contact avec la poulie.
2. Accrocher le connecteur du chariot dans la fente de retenue de ce dernier, comme montré (Figure 1).
3. Le chariot reposant contre le tournevis, acheminer le reste de la courroie le long du rail vers le moteur et autour du pignon (Figure 2). Les dents du pignon doivent engager la courroie.
4. Vérifier que la courroie n'est pas tordue. Raccorder l'arbre fileté du chariot au maillon de raccord (Figure 3).
  - Pousser les chevilles de la barre du maillon de raccord à travers les trous à l'extrémité de la courroie et de l'arbre fileté du chariot.
  - Pousser le chapeau du maillon de raccord par-dessus les chevilles et au-delà des encoches de cheville.
  - Glissez le coté de fermeture de l'agrafe du ressort sur une des broches. Poussez le coté d'ouverture de l'agrafe du ressort sur l'autre broche.
5. Retirer l'écrou à ressort du chariot de l'arbre fileté.
6. Insérer l'arbre fileté du chariot à travers le trou du chariot.



# Montage

## 5e Tension de la courroie

1. Visser à la main l'écrou à ressort du chariot sur l'arbre fileté jusqu'à ce qu'il soit serré contre le chariot. Ne pas utiliser d'outils. Retirer le tournevis.
2. Insérer la pointe d'un tournevis plat dans l'une des fentes pour bague et la tenir fermement contre le chariot.
3. Serrer l'écrou à ressort du chariot avec une clé à molette ou une clé à fourche de 7/16 de po d'un quart de tour jusqu'à ce que le ressort se dégage et enclenche la bague sur le chariot. Ceci règle le ressort à la tension optimale.



## 6e Fixation du carter de pignon

### **AVERTISSEMENT**

Pour éviter d'éventuelles BLESSURES GRAVES aux doigts par suite du mouvement de l'ouvre-porte :

- TOUJOURS garder la main à l'écart du pignon lorsque l'ouvre-porte fonctionne.
- Fixer solidement le carter du pignon AVANT de faire fonctionner l'ouvre-porte.

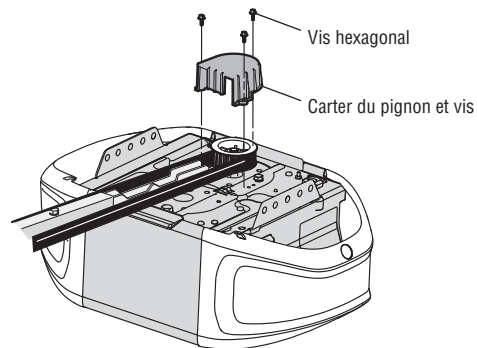
1. Positionner le carter de pignon sur le pignon comme illustré et serrer à la plaque de montage avec les vis à tête hexagonale n° 8 de 3/8 de po fournies.

**Le montage de l'ouvre-porte de garage est maintenant terminé. Lire les avertissements suivants avant de procéder à la section sur la pose.**

### FIXATIONS



Vis à tête hexagonale n° 8x3/8 de po  
(Emballé avec le couvercle du pignon)



# IMPORTANTES INSTRUCTIONS CONCERNANT L'INSTALLATION

## **AVERTISSEMENT**

### **Pour réduire le risque de BLESSURES GRAVES, voire MORTELLES :**

1. LIRE ET SUIVRE TOUS LES AVERTISSEMENTS ET INSTRUCTIONS DE POSE.
2. Poser l'ouvre-porte de garage UNIQUEMENT sur une porte de garage bien équilibrée et lubrifiée. Une porte mal équilibrée peut ne PAS inverser sa course en cas de besoin et peut entraîner des BLESSURES GRAVES, voire MORTELLES.
3. TOUTES les réparations aux câbles, ensembles de ressort et autres ferrures de montage DOIVENT être confiées à un technicien formé en systèmes de porte AVANT de poser l'ouvre-porte.
4. Désactiver TOUTES les serrures et retirer TOUTES les cordes raccordées à la porte de garage AVANT de poser l'ouvre-porte afin d'éviter un emmêlement.
5. Dans la mesure du possible, installer l'ouvre-porte de garage à au moins 2,13 m (7 pi) au dessus du sol.
6. Laisser le déverrouillage de secours à portée de main, mais à au moins 1,83 m (6 pi) du sol et éviter tout contact avec des véhicules afin d'éviter tout déclenchement accidentel.
7. Ne JAMAIS raccorder l'ouvre-porte de garage à une source de courant avant d'avoir reçu l'instruction de le faire.
8. Ne JAMAIS porter de montres, bagues ou vêtements amples durant la pose ou l'entretien de l'ouvre-porte. Ils pourraient être happés par la porte de garage ou les mécanismes de l'ouvre-porte.
9. Installer la commande de porte du garage murale :
  - bien en vue de la porte de garage;
  - hors de portée des jeunes enfants à une hauteur d'au moins 1,5 m (5 pi) du sol, des paliers, des marches ou de toute autre surface adjacente sur laquelle on marche;
  - à l'écart de TOUTES les pièces mobiles de la porte.
10. Placer l'étiquette d'avertissement de prise au piège sur le mur à côté de la commande de la porte de garage.
11. Placer l'étiquette d'essai d'inversion de sécurité/ouverture d'urgence bien en vue sur le côté intérieur de la porte de garage.
12. Au terme de la pose, faire l'essai du système d'inversion de sécurité. La porte DOIT remonter au contact d'un objet d'une hauteur de 3,8 cm (1-1/2 de po) (ou un 2 x 4 posé à plat) sur le sol.
13. Pour éviter des BLESSURES GRAVES ou la MORT par électrocution, débranchez TOUTE alimentation électrique ainsi que les piles AVANT TOUTE intervention.
14. NE PAS installer sur une porte rigide dans le cas de dispositifs ou fonctions permettant la fermeture non surveillée. Les dispositifs et fonctions non surveillés doivent être utilisés UNIQUEMENT avec des portes articulées.

# Installation

## 1re Déterminer l'emplacement du support de linteau

### AVERTISSEMENT

Pour éviter des BLESSURES GRAVES, VOIRE MORTELLES :

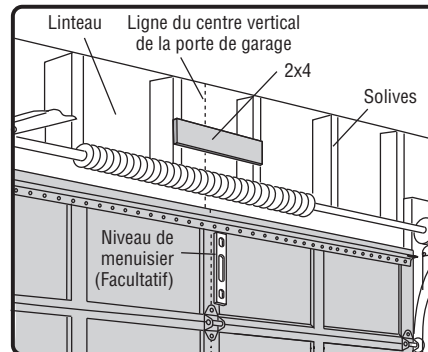
- Le support de linteau DOIT être fixé DE MANIÈRE RIGIDE à la solive sur le linteau ou le plafond, sinon la porte de garage pourrait ne PAS remonter, au besoin. NE PAS installer le support de linteau sur une cloison sèche.
- Des ancrages en béton DOIVENT ÊTRE UTILISÉS en cas de montage sur un support de linteau ou sur un 2 x 4 dans la maçonnerie.
- Ne tentez JAMAIS de desserrer, déplacer ou régler la porte de garage ainsi que les ressorts, câbles, poulies, supports de porte ou leurs ferrures de montage, lesquels sont TOUS sous une tension EXTRÊME.
- Appeler TOUJOURS un technicien formé en systèmes de porte si la porte de garage force ou est déséquilibrée. Une porte de garage déséquilibrée peut ne PAS remonter, au besoin.

Les méthodes de pose varient en fonction de la porte du garage. Suivre les instructions qui correspondent à la porte du garage sur laquelle on pose l'ouvre-porte.

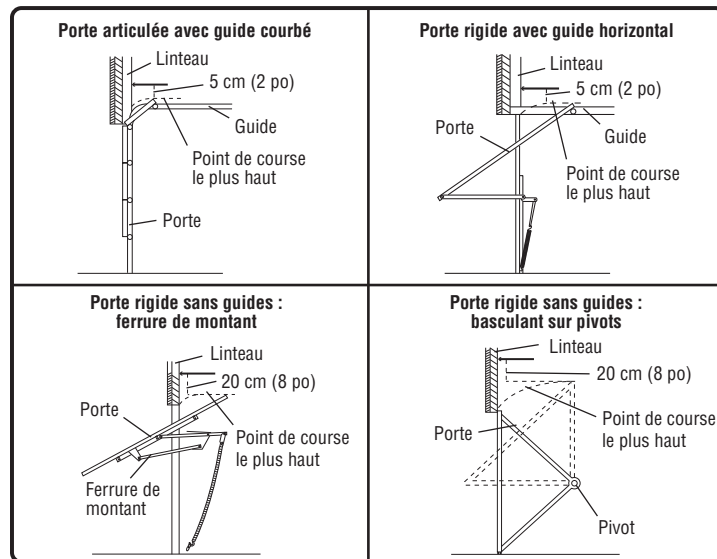
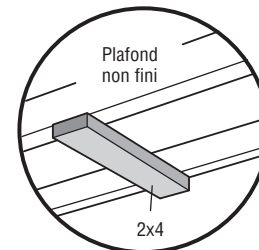
1. Fermer la porte et marquer l'axe vertical intérieur de la porte du garage.
2. Prolonger cet axe sur le linteau au-dessus de la porte. Ne pas oublier que l'on peut fixer le support du linteau à moins de 1,22 m (4 pieds) à droite ou à gauche de l'axe de la porte seulement si un ressort de torsion ou une plaque d'appui centrale gêne; ce support peut également être fixé au plafond (se reporter à la page 13) si le dégagement n'est pas suffisant. (Il peut être monté à l'envers sur un mur, au besoin, pour gagner environ 1 cm (1/2 de po). Si l'on doit poser le support de linteau sur un 2 x 4 (au mur ou au plafond), utiliser des tire-fond (non fournis) pour s'assurer que le 2 x 4 est bien retenu sur les solives, comme montré sur cette page et à la page 13.
3. Ouvrir la porte jusqu'à son point de course le plus haut, tel qu'illustré. Tracer une ligne horizontale d'intersection sur le linteau à 5 cm (2 po) au-dessus du point le plus haut :
  - 5 cm (2 po) au-dessus du point le plus haut pour portes articulées et portes rigides avec rail.
  - 20 cm (8 po) au-dessus du point le plus haut pour portes rigides sans rail.

Cette hauteur permettra d'obtenir un dégagement suffisant pour le passage de la partie supérieure de la porte.

**REMARQUE :** Si le nombre total de pouces (centimètres) dépasse la hauteur disponible dans le garage, utiliser la hauteur maximum ou se reporter à la page 13 pour la pose au plafond.



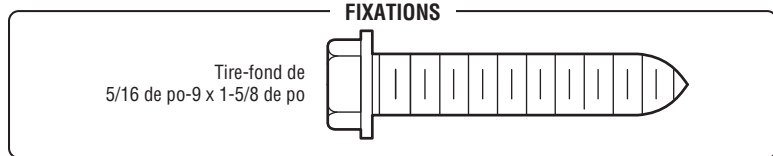
MONTAGE DU SUPPORT DE LINTEAU AU PLAFOND EN OPTION



# Installation

## 2e Pose du support de linteau

Le support de linteau peut être fixé soit sur le mur, au-dessus de la porte, soit sur le plafond. Suivre les instructions qui répondent le mieux aux besoins particuliers. **Ne pas poser le support de linteau sur des plaques de placoplâtre. Utiliser des ancrages de béton (non fournis) pour la pose dans la maçonnerie.**



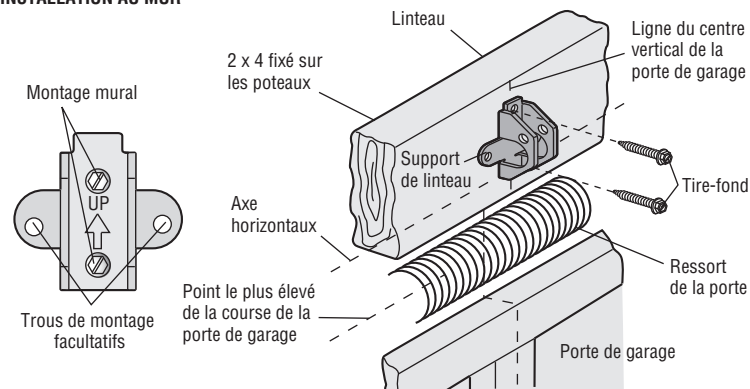
### OPTION A - INSTALLATION AU MUR

1. Centrer le support par rapport à l'axe vertical, la partie inférieure du support étant alignée avec la ligne horizontale, comme illustré (la flèche du support doit être orientée vers le plafond).
2. Marquer l'ensemble vertical des trous des supports. Percer des avant-trous de 3/16 de po et fixer fermement le support sur une solive avec les fixations fournies.

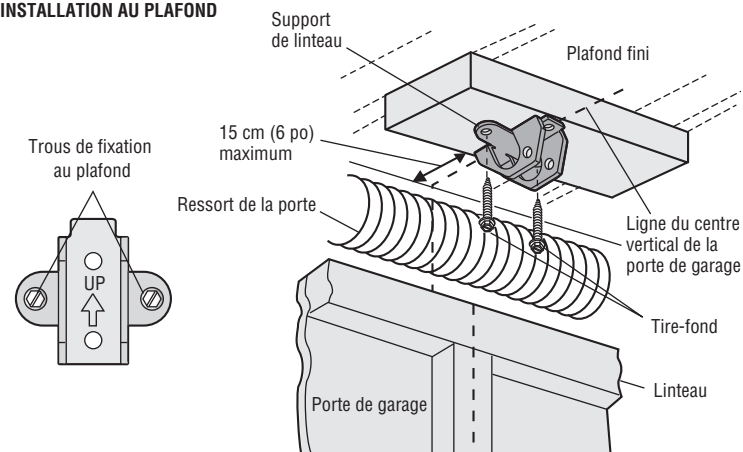
### OPTION B - INSTALLATION AU PLAFOND

1. Prolonger l'axe vertical sur le plafond, comme illustré.
2. Centrer le support sur l'axe vertical à 15 cm (6 po) au maximum du mur. S'assurer que la flèche est orientée dans le sens opposé au mur. Le support peut être encastré dans le plafond si le dégagement n'est pas suffisant.
3. Marquer les trous latéraux. Percer des avant-trous de 3/16 de po et fixer fermement le support sur une solive du plafond à l'aide des fixations fournies.

### INSTALLATION AU MUR



### INSTALLATION AU PLAFOND



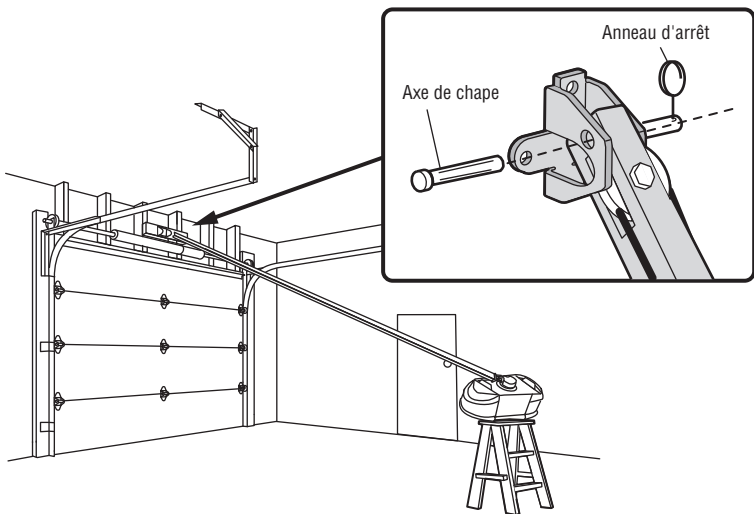
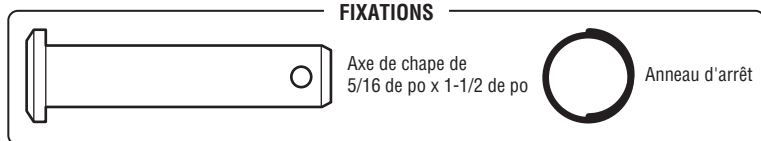
# Installation

## 3e Fixation du rail sur le support de linteau

1. Positionner l'ouvre-porte de garage sur le plancher, juste sous le support de linteau. Utiliser une des boîtes d'emballage pour le protéger.

**REMARQUE :** Si le ressort de la porte gêne, il faudra demander de l'aide. Demander à une personne de bien retenir l'ouvre-porte sur un support temporaire de façon que le rail ne touche pas le ressort.

2. Positionner le support du rail contre le support de linteau.
3. Aligner les trous des supports et les raccorder avec un axe de chape, comme il est illustré.
4. Introduire un anneau d'arrêt pour immobiliser.



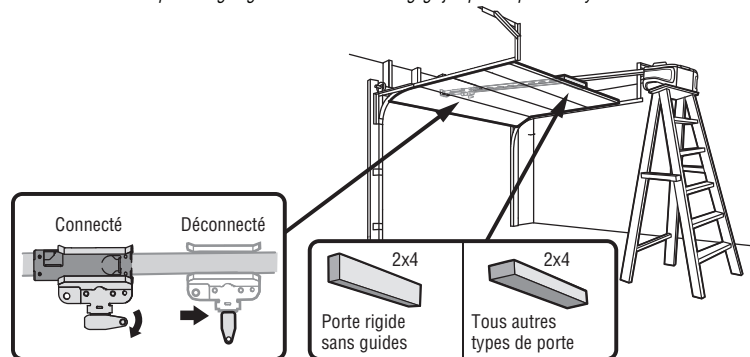
## 4e Positionnement de l'ouvre-porte de garage

### ATTENTION

Pour éviter tous dommages à l'ouvre-porte de garage, faire reposer le rail de l'ouvre-porte de garage sur un 2 x 4 placé sur la section supérieure de la porte.

1. Retirer la boîte d'emballage, puis soulever l'ouvre-porte de garage sur une échelle.
2. Ouvrir complètement la porte et placer un 2 x 4 (à plat) sous le rail. Pour les portes rigides sans rails, mettre le 2 x 4 sur le flanc.

**REMARQUE :** Une planche de 2 x 4 est idéale pour régler la distance entre le rail et la porte. Si l'échelle n'est pas assez haute, une assistance sera nécessaire à ce stade. Si la porte frotte contre le chariot quand elle s'ouvre, tirer le bras de dégagement du chariot vers le bas pour dégager le chariot intérieur et extérieur. Faire glisser le chariot extérieur vers l'ouvre-porte de garage. Laisser le chariot dégagé jusqu'à ce que vous ayez de nouvelles instructions.



# Installation

## 5e Accrochage de l'ouvre-porte de garage

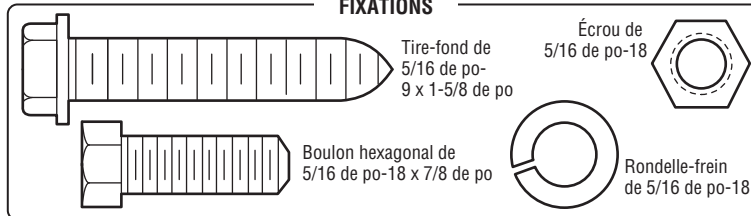
### **AVERTISSEMENT**

Pour éviter d'éventuelles BLESSURES GRAVES par suite de la chute d'un ouvre-porte de garage, fixer l'ouvre-porte SOLIDEMENT aux solives du garage. Des ancrages en béton DOIVENT être utilisés lors de l'installation des supports dans la maçonnerie.

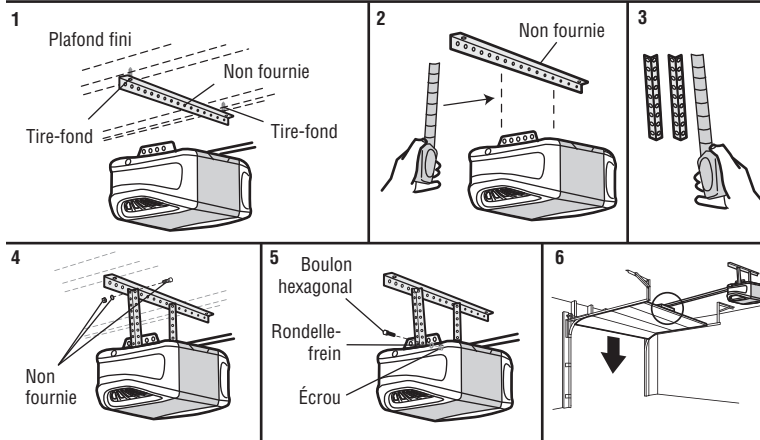
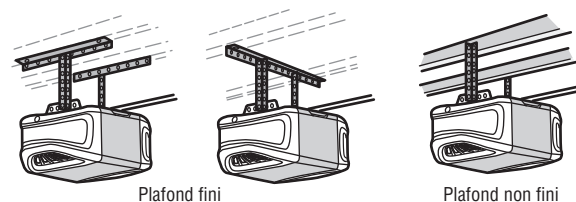
La suspension de l'ouvre-porte de garage variera en fonction de votre garage. Voici trois exemples d'installation. Votre installation peut toutefois être différente. Pour TOUTES les installations, l'ouvre-porte de garage DOIT être relié à des solives. Les instructions illustrent l'un des exemples ci-dessous.

1. Sur les plafonds finis, utiliser les tire-fonds pour fixer un support (non fourni) aux solives avant d'installer l'ouvre-porte de garage.
2. S'assurer que le dispositif de fermeture est aligné avec le support du linteau. Mesurer, de chaque côté de l'ouvre-porte, la distance entre l'ouvre-porte et le support.
3. Coupez les deux supports de suspension à la longueur requise.
4. Fixer la fin de chaque support de suspension au support avec la visserie appropriée (non fournie).
5. Fixez l'ouvre-porte aux supports de suspension à l'aide des boulons, des rondelles-frein et des écrous.
6. Retirer le 2 x 4 et fermez la porte manuellement. Si la porte heurte le rail, lever le support de linteau.

### FIXATIONS



### EXEMPLES



# Installation

## 6e Fixation des ampoules

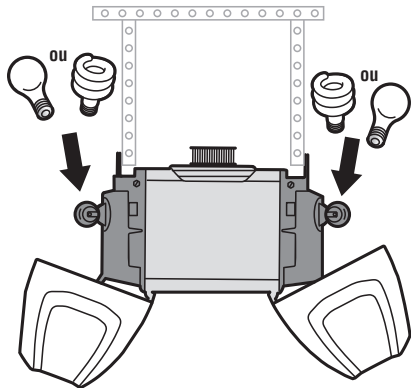
### ATTENTION

Pour éviter toute SURCHAUFFE éventuelle du panneau d'extrémité ou de la douille d'éclairage :

- Utiliser **UNIQUEMENT** une ampoule à incandescence de type A19 (100 W maximum) ou une ampoule fluorescente compacte (26 W maximum).
- **NE PAS** utiliser des ampoules à incandescence de plus de 100 W.
- **NE PAS** utiliser des ampoules fluorescentes compactes de plus de 26 W (100 W) ou l'équivalent.
- **NE PAS** utiliser d'ampoules halogènes.
- **NE PAS** utiliser d'ampoules à col court ou de forme spéciale.

1. Tirer sur la partie centrale supérieure de la lentille et tourner la lentille vers le bas.
2. Insérer une ampoule à incandescence A19 (100 W maximum) ou une ampoule fluorescente compacte (26 W, 100 W maximum) dans la douille.
3. Faire tourner la lentille vers le haut pour la fermer.

**REMARQUE :** L'utilisation d'ampoules halogènes, à col court ou d'ampoules spécialisées peut causer une surchauffe du panneau d'extrémité ou de la douille. Ne pas utiliser d'ampoules à DEL sous risque de réduire la portée ou le rendement de votre ou vos commandes à distance.



## 7e Pose de la corde et de la poignée de déclenchement d'urgence

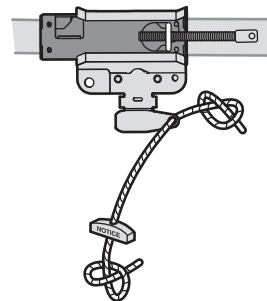
### ⚠ AVERTISSEMENT

Pour prévenir d'éventuelles BLESSURES GRAVES ou LA MORT par suite de la chute d'une porte de garage :

- Si possible, utilisez la poignée de déclenchement d'urgence pour dégager le chariot **UNIQUEMENT** lorsque la porte de garage est **FERMÉE**. Des ressorts faibles ou brisés ou une porte déséquilibrée peuvent provoquer la chute rapide et/ou imprévue d'une porte ouverte.
- Ne **JAMAIS** utiliser la poignée de déclenchement d'urgence à moins que rien ou personne n'obstrue la trajectoire de la porte.
- Ne **JAMAIS** utiliser la poignée pour ouvrir ou fermer la porte. Il y a risque de chute si le nœud de la corde se défait.

1. Insérer une extrémité de la corde de déclenchement d'urgence dans la poignée. S'assurer que l'inscription « NOTICE » (avis) est à l'endroit. Fixer à l'aide d'un nœud simple à au moins 2,5 cm (1 po) de l'extrémité de la corde, pour empêcher le glissement.
2. Passer l'autre extrémité de la corde dans le trou du levier de déclenchement du chariot. Laisser le déverrouillage de secours à portée de main, mais à au moins 1,83 m (6 pi) du sol et éviter tout contact avec des véhicules afin d'éviter tout déclenchement accidentel. Fixer la corde à l'aide d'un nœud simple.

**REMARQUE :** Si la corde doit être coupée, brûler légèrement l'extrémité coupée avec une allumette ou un briquet pour empêcher qu'elle s'effiloche. S'assurer que la corde et la poignée ne risquent pas de toucher au capot d'aucun véhicule pour éviter qu'elle s'emmêle.





# Installation

## 8e Pose du support de porte

### ATTENTION

Les portes de garage en fibre de verre, en aluminium ou en acier léger **DOIVENT** être renforcées AVANT la fixation du support de porte. Contacter le fabricant de la porte de garage ou l'installateur pour les instructions relatives aux renforts ou obtenir un nécessaire de renforts. Négliger de renforcer la section supérieure, tel qu'exigé par le fabricant de la porte, peut en annuler la garantie.

Un renfort horizontal et vertical est nécessaire pour les portes de garage légères (en fibre de verre, aluminium, acier, portes avec panneau de verre, etc.) (non fourni). Un renfort horizontal doit être suffisamment long pour être fixé à deux ou trois supports verticaux. Un renfort vertical doit couvrir la hauteur du panneau supérieur. Contacter le fabricant de la porte de garage ou l'installateur pour les instructions relatives aux renforts ou obtenir un nécessaire de renforts.

**REMARQUE :** Bon nombre de nécessaires de renforts de porte prévoient la fixation directe de l'axe de chape et de la bielle de porte. Dans ce cas, le support de porte ne sera pas nécessaire; passer à l'étape suivante.

#### OPTION A - PORTES ARTICULÉES

1. Centrer le support de la porte avec l'axe vertical précédemment tracé et utilisé pour la pose du support de linteau. Il convient de noter le positionnement correct de « UP » (vers le haut), comme estampillé à l'intérieur du support.
2. Positionner le bord supérieur du support de 5 cm - 10 cm (2 à 4 pouces) plus bas que le bord supérieur de la porte, OU directement sous toute solive à travers le haut de la porte.
3. Marquer, percer des trous et poser comme indiqué ci-après, selon la construction de votre porte.

**Portes métalliques ou légères utilisant une ferrure angulaire verticale entre le support du panneau de porte et le support de porte :**

- Percer des trous de fixation de 3/16 de po. Fixer le support de porte à l'aide des deux vis autotaraudeuses de 1/4 de po-14 x 5/8 de po. (Figure 1)
- On peut également utiliser deux boulons de 5/16 de po-18 x 2 po, des rondelles de blocage et des écrous (non fournis). (Figure 2)

**Portes métalliques, isolées ou légères renforcées à l'usine :**

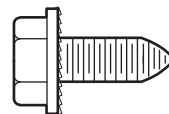
- Percer des trous de fixation de 3/16 de po. Fixer le support de porte à l'aide des vis autotaraudeuses. (Figure 3)

**Portes en bois :**

- Utiliser les trous supérieurs et inférieurs ou latéraux de support de porte. Percer des trous de 5/16 de po à travers la porte et fixer le support à l'aide de boulons à tête bombée et à collet carré de 5/16 de po-18 x 2 po, des rondelles de blocage et des écrous (non fournis). (Figure 4)

**REMARQUE :** Les vis autotaraudeuses de 1/4 de po-14 x 5/8 de po ne sont pas destinées à être utilisées sur des portes en bois.

#### FIXATIONS



Vis autotaraudeuse  
1/4 de po-14 x 5/8 de po

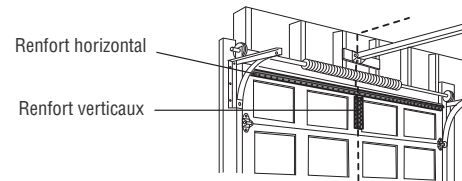


FIGURE 1

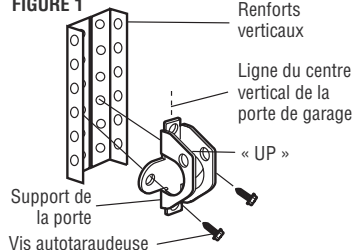


FIGURE 2

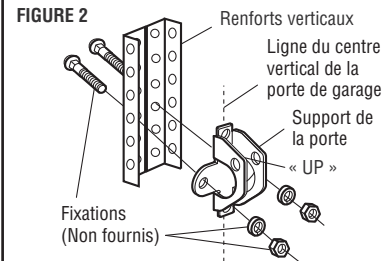


FIGURE 3

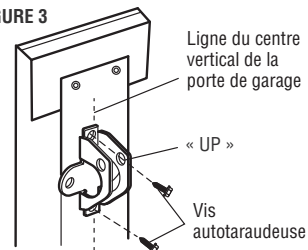
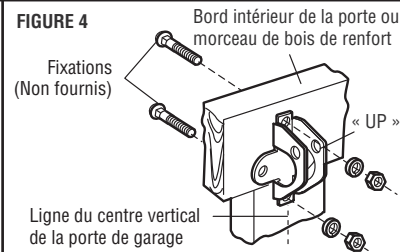


FIGURE 4



# Installation

## 8e Pose du support de porte (suite)

### OPTION B - PORTE RIGIDES

1. Centrer le support de porte sur le dessus de la porte, en l'alignant avec le support de linteau, comme il est illustré.
2. Repérer les trous de gauche et de droite, ou les trous du haut et du bas.

#### Portes métalliques :

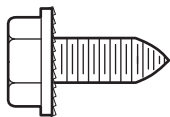
- Percer des avant-trous de 3/16 de po, puis fixer le support de la porte à l'aide des vis autotaraudeuses fournies.

#### Portes en bois :

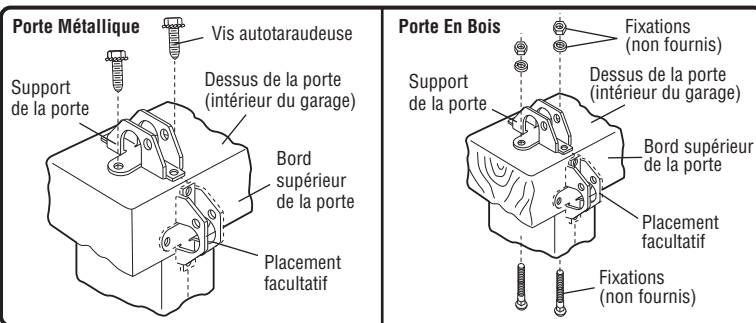
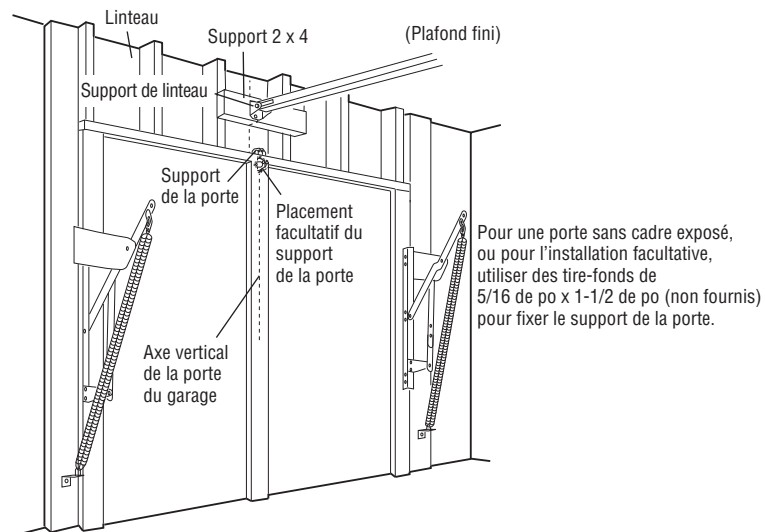
- Percer des trous de 5/16 de po et utiliser des boulons à tête bombée et à collet carré de 5/16 de po-18 x 2 po, des rondelles de blocage et des écrous (non fournis) ou des tire-fonds de 5/16 de po x 1-1/2 de po (non fournis) suivant les besoins particuliers de l'installation.

**REMARQUE :** Le support de porte peut être posé sur le bord supérieur de la porte, au besoin pour une installation particulière. (Se reporter au dessin du positionnement facultatif à la ligne pointillée.)

### FIXATIONS



Vis autotaraudeuse  
1/4 de po-14 x 5/8 de po



# Installation

## 9e Fixation de la biellette de la porte au chariot

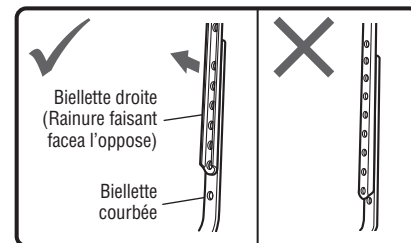
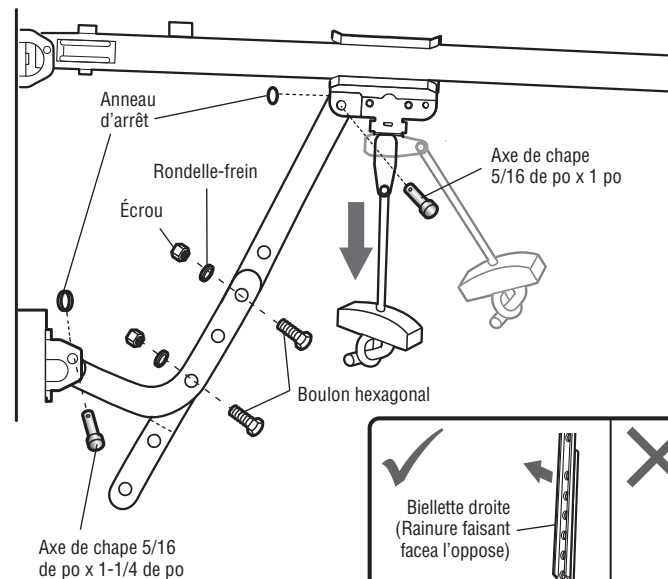
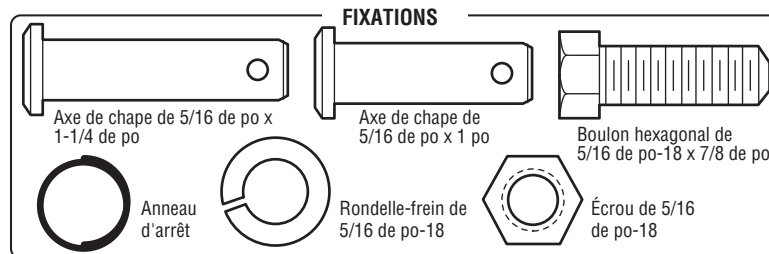
Les méthodes de pose varient en fonction de la porte du garage. Suivre les instructions qui correspondent à la porte du garage sur laquelle on pose l'ouvre-porte.

### OPTION A - PORTES ARTICULÉES

**IMPORTANT :** la rainure de la biellette de porte droite DOIT pointer loin de la biellette de porte courbée.

1. Fermer la porte. Débrancher le chariot en tirant la poignée de déverrouillage de secours.
2. Fixez la biellette droite sur le chariot extérieur à l'aide d'un axe de chape. Faire tenir l'axe de chape avec un anneau d'arrêt.
3. Fixez la biellette courbée sur le support de porte à l'aide d'un axe de chape. Faire tenir l'axe de chape avec un anneau d'arrêt.
4. Rapprocher les biellettes. Trouver deux paires de trous qui s'alignent et joindre les sections. Sélectionner les trous aussi éloignés que possible de manière à accroître la rigidité de la biellette et fixer à l'aide de boulons, d'écrous et de rondelles de blocage.
5. Tirer la poignée de déverrouillage de secours vers l'ouvre-porte de garage de façon à ce que la biellette de dégagement du chariot soit à l'horizontale. Le chariot se réenclenchera automatiquement lorsque l'ouvre-porte de garage fonctionnera.

**REMARQUE :** Si les trous de la biellette de porte courbée et de la biellette de porte droite ne s'alignent pas, inverser la biellette droite, sélectionner deux trous (aussi éloignés que possible) et fixer à l'aide de boulons, d'écrous et de rondelles de blocage. Si la biellette de porte droite pend trop bas, couper 15 cm (6 po) de l'extrémité solide.



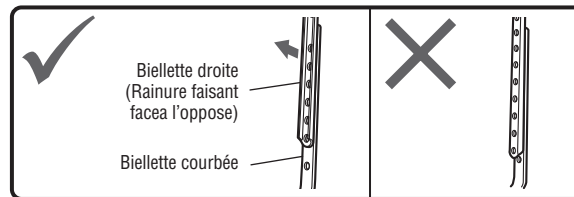
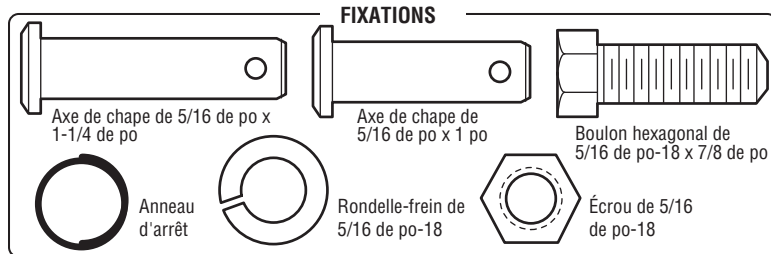
# Installation

## 9e Fixation de la biellette de la porte au chariot (suite)

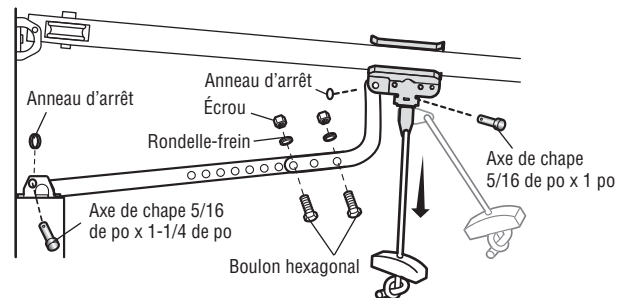
### OPTION B - PORTE RIGIDES

**IMPORTANT :** la rainure de la biellette de porte droite DOIT pointer loin de la biellette de porte courbée.

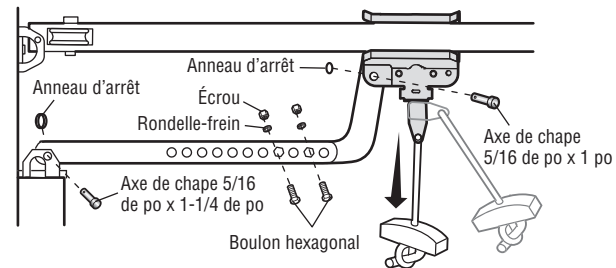
1. Fermer la porte. Débrancher le chariot en tirant la poignée de déverrouillage de secours.
2. Fixer ensemble la biellette droite et la biellette courbée sur la plus grande longueur possible (avec un chevauchement de 2 ou 3 trous) à l'aide de boulons, d'écrous et de rondelles de blocage.
3. Fixer la biellette droite sur le support de porte à l'aide d'un axe de chape. Faire tenir l'axe de chape avec un anneau d'arrêt.
4. Fixer la biellette courbée sur le support de porte à l'aide d'un axe de chape. Faire tenir l'axe de chape avec un anneau d'arrêt.
5. Tirer la poignée de déverrouillage de secours vers l'ouvre-porte de garage de façon à ce que la biellette de dégagement du chariot soit à l'horizontale.



### Porte Rigide Sans Guides



### Porte Rigide Avec Guides



# Installation

## 10e Pose de la commande de porte

### **AVERTISSEMENT**

Pour prévenir d'éventuelles BLESSURES GRAVES, voire MORTELLES suite à une électrocution :

- S'assurer que l'alimentation est coupée AVANT d'installer la commande de la porte.
- Raccorder UNIQUEMENT à des fils basse tension de 12 V.

Pour prévenir d'éventuelles BLESSURES GRAVES ou LA MORT par suite d'une porte de garage qui se ferme :

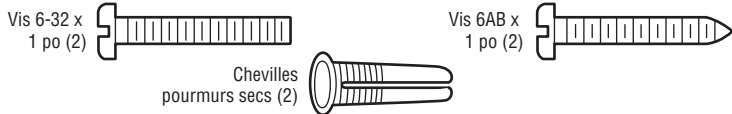
- Installer la commande de porte bien en vue de la porte de garage, hors de portée des jeunes enfants à une hauteur d'au moins 1,5 m (5 pi) du sol, des paliers, des marches ou de toute autre surface adjacente sur laquelle on marche, et à l'écart de TOUTES les pièces mobiles de la porte.
- Ne JAMAIS laisser des enfants faire fonctionner les boutons-poussoirs de la commande de porte ou les émetteurs de la télécommande, ni jouer avec ceux-ci.
- Actionner la porte UNIQUEMENT lorsqu'on la voit clairement, qu'elle est bien réglée et que rien ne gêne la course de la porte.
- TOUJOURS garder la porte de garage bien en vue jusqu'à sa fermeture complète. Ne JAMAIS laisser personne croiser le chemin d'une porte de garage qui se ferme.

### INTRODUCTION

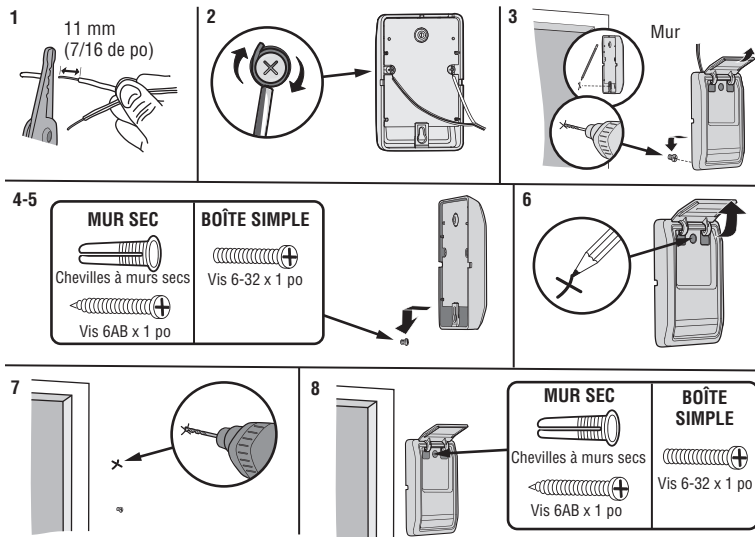
Les anciennes commandes de porte Chamberlain et les produits de tiers ne sont pas compatibles. Installer la commande de la porte à au moins 1,5 m (5 pi) du sol, des paliers, des marches ou de toute autre surface adjacente où l'on marche, là où les jeunes enfants ne pourront pas l'atteindre et loin de toutes les pièces mobiles de la porte. Pour les installations de boîte simple, il n'est pas nécessaire de percer des trous ou d'installer des ancrages pour cloisons sèches.

**REMARQUE :** L'apparence de votre produit peut différer de ceux illustrés ici.

### FIXATIONS



1. Enlever 11 mm (7/16 de po) d'isolation à l'extrémité du fil, puis séparer les fils.
2. Connecter un fil à chacun des deux vis situées sur le dos de la commande de porte. Les fils peuvent être connectés à l'un ou l'autre vis. Si votre garage est précâblé pour la commande de porte choisissez deux fils quelconques pour se connecter, pas que des fils sont utilisé ainsi les fils corrects sont connectés à l'ouvre de porte de garage dans une étape postérieure.
3. Marquer l'emplacement de l'orifice inférieur de montage et percer un trou de 5/32 de po de diamètre.
4. Visser la vis inférieure en laissant 3 mm (1/8 de po) dépasser de la surface du mur.
5. Placer le trou inférieur du panneau de commande sur la vis et faire glisser ce dernier vers le bas jusqu'à ce qu'il soit bien en place.
6. Soulever la barre-poussoir et marquer le trou supérieur.
7. Retirer la commande de la porte du mur et percer un trou de 5/32 de po pour la vis du haut.
8. Placer le trou inférieur du panneau de commande sur la vis et faire glisser ce dernier vers le bas jusqu'à ce qu'il soit bien en place. Fixer la vis du haut.



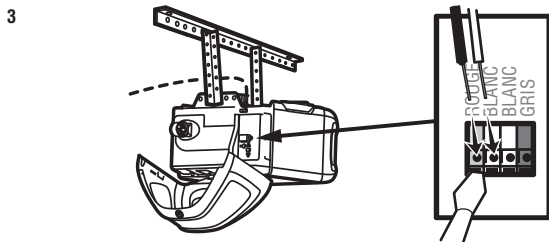
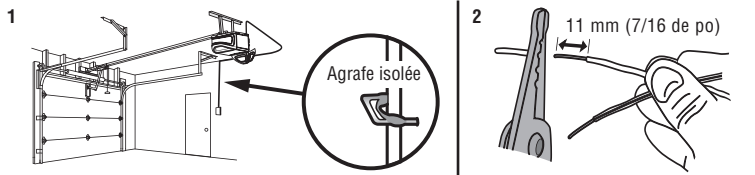
# Installation

## 11e Raccordement des fils de la commande de porte à l'ouvre-porte de garage

1. Acheminer les fils blanc et rouge/blanc de la commande de porte vers l'ouvre-porte de garage. Fixer le fil au mur et au plafond avec l'agrafe (cette directive ne s'applique pas à la boîte simple ou aux installations précâblées). Ne pas percer le fil avec une agrafe, car cela créerait un court-circuit ou un circuit ouvert.
2. Enlever 11 mm (7/16 de po) d'isolation à l'extrémité du fil, près de l'ouvre-porte de garage.
3. Relier le fil aux bornes rouge et blanche de l'ouvre-porte de garage. Si votre garage est précâblé assurez-vous que vous utilisez les mêmes fils qui sont connectés à la commande de porte. Pour insérer les fils ou les libérer de la borne, appuyer sur la languette avec la pointe du tournevis.

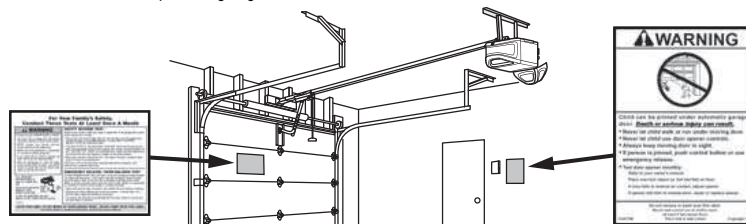
### FIXATIONS

Agrafes isolées (Non illustrés)



## 12e Fixation des étiquettes d'avertissement

1. Fixer l'étiquette d'avertissement sur le mur, près de la commande de porte, avec des punaises ou des agrafes.
2. Placer l'étiquette concernant l'essai d'inversion de sécurité/ouverture manuelle bien en vue sur le côté intérieur de la porte de garage.



# Installation

## 13e Installation du dispositif Protector System®

### **AVERTISSEMENT**

S'assurer que l'ouvre-porte de garage est hors tension AVANT de poser le capteur d'inversion de sécurité.

Pour prévenir des BLESSURES GRAVES ou LA MORT par suite d'une porte de garage qui se ferme :

- Raccorder et aligner correctement le capteur d'inversion de sécurité. Ce dispositif de sécurité requis NE DOIT PAS être désactivé.
- Poser le capteur d'inversion de sécurité de manière à ce que le faisceau NE SOIT PAS À UNE HAUTEUR de plus de 15 cm (6 po) au-dessus du plancher du garage.

### RENSEIGNEMENTS IMPORTANTS AU SUJET DU CAPTEUR D'INVERSION DE SÉCURITÉ

**Le détecteur inverseur de sécurité doit être connecté et aligné correctement avant que l'ouvre-porte de garage n'entame le mouvement de fermeture**

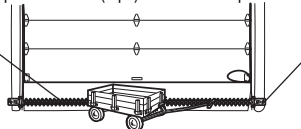
Le capteur de transmission (doté d'un témoin DEL ambré) transmet un faisceau de lumière invisible au capteur de réception (muni d'un témoin DEL vert). Si un obstacle brise le faisceau de lumière pendant que la porte se ferme, la porte s'arrêtera et remontera jusqu'à la position entièrement ouverte et l'éclairage de l'ouvre-porte clignotera 10 fois.

**REMARQUE :** Pour économiser l'énergie, l'ouvre-porte de garage se met en mode de veille lorsque la porte est complètement fermée. Le mode de veille ferme l'ouvre-porte de garage jusqu'à ce qu'il soit activé. Le mode veille est séquentiel à l'ampoule d'éclairage de l'ouvre-porte de garage; lorsque l'ampoule s'éteint, le témoin DEL du capteur s'éteint et chaque fois que l'éclairage de l'ouvre-porte de garage s'allume, le témoin DEL du capteur s'allume. L'ouvre-porte de garage ne se mettra en mode veille que lorsqu'il a achevé cinq cycles de mise sous tension.

Lors de l'installation des capteurs d'inversion de sécurité, vérifiez les points suivants :

- Les capteurs sont installés à l'intérieur du garage, un de chaque côté de la porte.
- Les capteurs sont face à face avec les lentilles alignées et la lentille du détecteur de réception ne reçoit pas de lumière directe du soleil.
- Les capteurs sont pas plus de 15 cm (6 po) au-dessus du plancher et le faisceau lumineux est dégagé.

Zone de protection du faisceau lumineux invisible

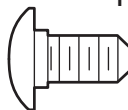


Détecteur inverseur de sécurité 15 cm (6 po) max au-dessus du sol

Faisant face à la porte depuis l'intérieur du garage.

### FIXATIONS

Boulon à tête bombée et collet carré de 1/4 de po-20 x 1/2 de po



Écrou à oreilles 1/4 de po-20

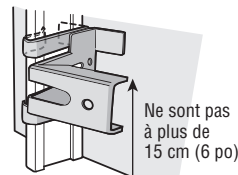


Les capteurs d'inversion de sécurité peuvent être fixés au guide de porte, au mur ou au sol. Les détecteurs ne doivent pas être installés à plus de 15 cm (6 po) au-dessus du sol. Si votre guide de porte ne supporte pas solidement le support de capteur, une pose murale est recommandée. Choisir l'une des installations suivantes.

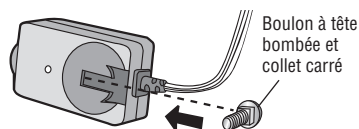
### OPTION A - POSE AUX GUIDES DE LA PORTE DE GARAGE

1. Faire glisser les biellettes courbées du support de capteur sur le pourtour du guide de la porte. Enclencher en place afin que le support de capteur soit abuté contre le guide.
2. Faire glisser le boulon à tête bombée dans la fente de chaque capteur.
3. Insérer le boulon dans le trou du support de capteur et le fixer avec l'écrou à oreilles. Les lentilles des deux capteurs doivent pointer l'une vers l'autre. S'assurer que la lentille n'est pas obstruée par le support de capteur.

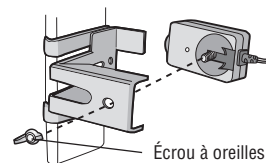
1



2



3



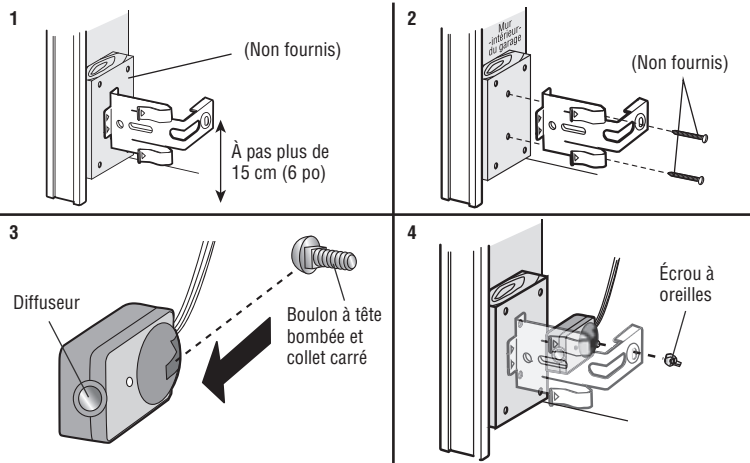
# Installation

## 13e Installation du dispositif Protector System® (suite)

### OPTION B - POSE MURALE

Si une profondeur supplémentaire est nécessaire, on peut employer un support de rallonge (non fourni) ou des blocs en bois. S'assurer que chaque support a la même quantité de jeu, de sorte qu'ils soient correctement alignés.

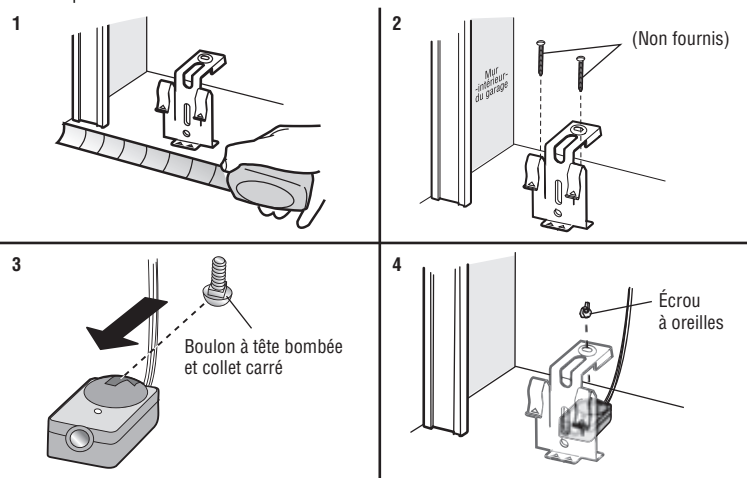
1. Placer le support de capteur contre le mur, les biellettes courbées étant dirigées vers la porte. S'assurer qu'il y a un dégagement suffisant et qu'aucun obstacle n'est dans le parcours du faisceau du capteur. Marquer les trous.
2. Percer des avant-trous de 3/16 de po pour chaque support de capteur et fixer les supports sur le mur avec les tire-fond (non fournis).
3. Faire glisser le boulon à tête bombée dans la fente de chaque capteur.
4. Insérer le boulon dans le trou du support de capteur et le fixer avec l'écrou à oreilles. Les lentilles des deux capteurs doivent pointer l'une vers l'autre. S'assurer que la lentille n'est pas obstruée par le support de capteur.



### OPTION C - POSE AU SOL

Utiliser un support de rallonge (non fourni) ou un bloc de bois pour soulever le support de capteur, au besoin.

1. Mesurer soigneusement la position des deux supports de capteurs de sorte qu'ils seront à la même distance du mur et dégagés.
2. Fixer les supports de capteurs au sol avec des ancrages de béton (non fournis).
3. Faire glisser le boulon à tête bombée dans la fente de chaque capteur.
4. Insérer le boulon dans le trou du support de capteur et le fixer avec l'écrou à oreilles. Les lentilles des deux capteurs doivent pointer l'une vers l'autre. S'assurer que la lentille n'est pas obstruée par le support de capteur.





# Installation

## 14e Câblage des capteurs d'inversion de sécurité

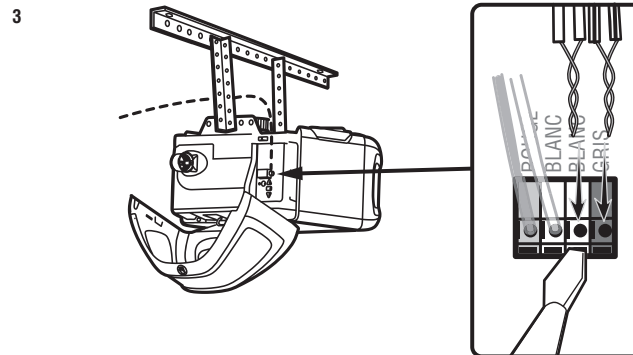
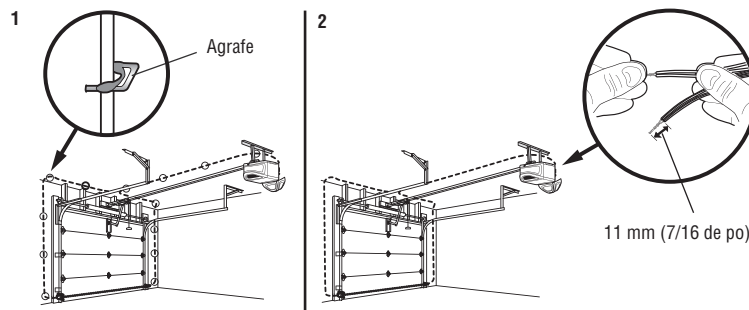
Si votre porte de garage est déjà câblée pour l'installation de capteurs d'inversion de sécurité, passer à la page 26.

### OPTION A - INSTALLATION SANS CÂBLES PRÉINSTALLÉS

1. Faire acheminer le câble des deux capteurs vers l'ouvre-porte de garage. Fixer le câble au mur et au plafond avec les agrafes.
2. Enlever 11 mm (7/16 de po) d'isolation de chaque ensemble de fils. Séparer les fils. Torsader les fils blancs ensemble. Torsader les fils blanc/noir ensemble.
3. Insérer les fils blanc dans la borne blanche de l'ouvre-porte de garage. Insérer les fils blanc/noir dans la borne grise de l'ouvre-porte de garage. Pour insérer ou retirer les fils de la borne, appuyer sur la languette avec la pointe du tournevis.

### FIXATIONS

Agrafes isolées (Non illustrés)

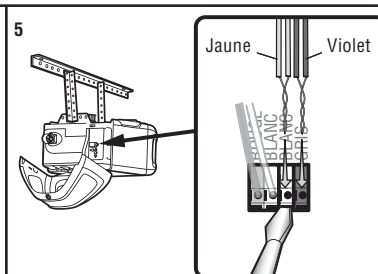
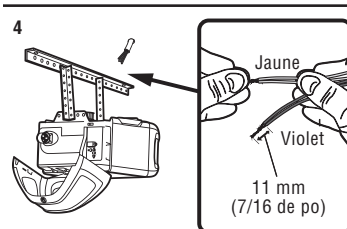
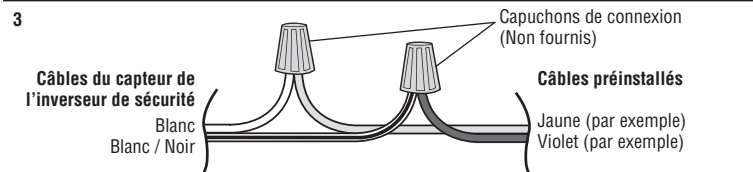
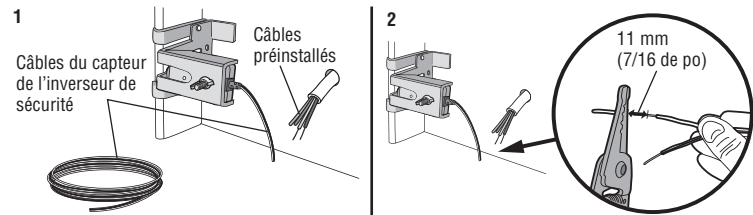


# Installation

## 14e Câblage des capteurs d'inversion de sécurité (suite)

### OPTION B - INSTALLATION PRÉCÂBLÉE

1. Couper l'extrémité du câble du capteur d'inversion de sécurité en s'assurant qu'il reste suffisamment de longueur pour atteindre les câbles préinstallés du mur.
2. Séparer les câbles du capteur d'inversion de sécurité et enlever 11 mm (7/16 de po) d'isolant de chaque extrémité. Choisir deux des câbles préinstallés et enlever 11 mm (7/16 de po) d'isolant de chaque extrémité. S'assurer de choisir les fils préinstallés de même couleur pour chacun des capteurs.
3. Connecter les fils préinstallés aux fils des capteurs avec un capuchon de connexion en s'assurant que les couleurs correspondent sur chaque capteur. Par exemple, le fil blanc se raccorde au fil jaune et le fil blanc/noir se raccorde au fil violet.
4. Au niveau de l'ouvre-porte de garage, enlever 11 mm (7/16 de po) d'isolant de chaque extrémité des fils choisis précédemment pour les capteurs d'inversion de sécurité. Torsader les fils de même couleur.
5. Insérer les fils reliés aux fils blancs des capteurs de sécurité à la borne blanche de l'ouvre-porte de garage. Insérer les fils reliés aux fils blancs/noirs des capteurs de sécurité à la borne grise de l'ouvre-porte de garage.



Poussez sur la patte avec le bout du tournevis pour insérer ou libérer le fil.

# Installation

## 15e Raccordement de l'alimentation



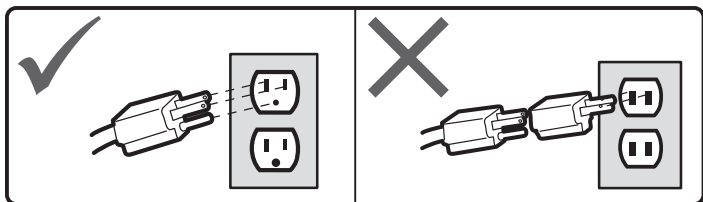
### AVERTISSEMENT

Pour éviter toute BLESSURE potentielle GRAVE voire MORTELLE par électrocution ou brûlure :

- S'assurer que l'ouvre-porte est hors tension et couper l'alimentation du circuit AVANT de retirer le couvercle pour procéder à un branchement permanent.
- La pose et le câblage de la porte de garage DOIVENT être conformes à TOUS les codes électriques et de construction locaux.
- Ne JAMAIS utiliser d'un cordon de rallonge ou d'un adaptateur bifilaire ni modifier la fiche de QUELQUE manière que ce soit pour l'insérer dans la prise. S'assurer que l'ouvre-porte est mis à la terre.

**Pour éviter les difficultés pendant la pose, ne pas faire fonctionner l'ouvre-porte pour le moment.**

Afin de minimiser les risques de chocs électriques, le cordon d'alimentation de l'ouvre-porte de garage comporte une fiche à trois broches, dont une de mise à la terre. Cette fiche ne peut être branchée que dans une prise de courant mise à la terre. Si la fiche ne peut pas être branchée dans la prise de courant, s'adresser à un électricien qualifié pour faire poser une prise de courant adéquate.



IL Y A DEUX OPTIONS CONCERNANT LA PRISE D'ALIMENTATION :

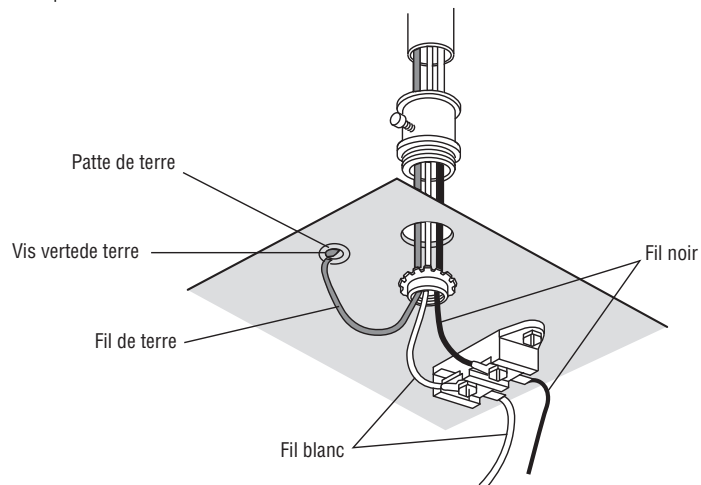
#### OPTION A - CÂBLAGE TYPIQUE

1. Brancher l'ouvre-porte de garage dans une prise mise à la terre.
2. NE PAS faire fonctionner l'ouvre-porte de garage pour le moment.

#### OPTION B - CÂBLAGE PERMANENT

Si les codes municipaux exigent une installation électrique permanente, procéder comme suit. Pour procéder à un branchement permanent par le trou de 7/8 de po pratiqué dans le dessus du moteur (conformément au code local) :

1. Retirer les vis du couvercle du moteur et mettre le couvercle de côté.
2. Débrancher le cordon à 3 fils.
3. Brancher le fil noir (courant secteur) sur la vis de la borne en laiton; le fil blanc (neutre) sur la vis de la borne en argent, puis le fil de terre sur la vis verte de terre. **L'ouvre-porte doit obligatoirement être mis à la terre.**
4. Reposer le couvercle.



# Installation

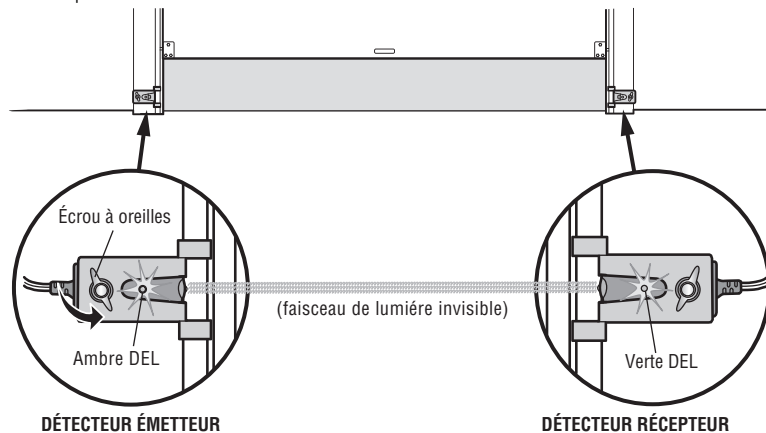
## 16e Montage des détecteurs inverseurs du sécurité

La porte ne se fermera pas si les détecteurs n'ont pas été installés et alignés correctement.

Si le faisceau lumineux est obstrué ou mal aligné quand la porte se ferme, celle-ci va revenir en arrière et les lumières de l'ouvre-porte de garage vont clignoter dix fois. Si la porte est déjà ouverte, elle ne se fermera pas.

1. S'assurer que les témoins DEL des deux détecteurs sont allumés. Les témoins DEL des deux détecteurs s'allumeront en continu s'ils sont alignés et bien câblés.

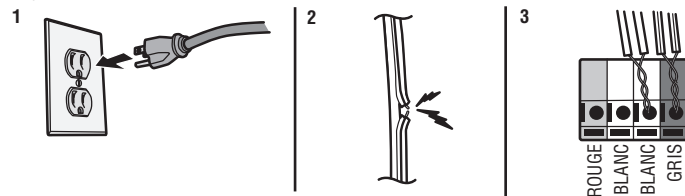
On peut aligner les détecteurs en desserrant les écrous à oreilles, en alignant les détecteurs, puis en serrant les écrous en question.



Si détecteur récepteur est à la lumière du soleil direct, commutez-la avec détecteur émetteur ainsi il est du bord opposé de la porte.

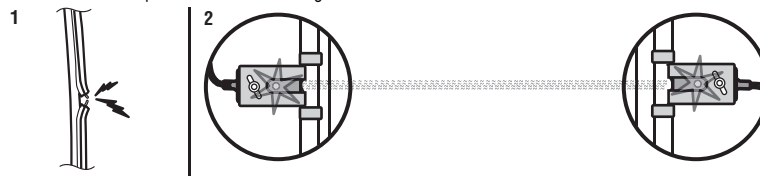
### SI LE TÉMOIN DEL AMBRE DU DÉTECTEUR ÉMETTEUR NE S'ALLUME PAS :

1. S'assurer que l'ouvre-porte de garage reçoit bien l'alimentation électrique.
2. S'assurer que le fil du détecteur n'est pas court-circuité ni rompu.
3. Assurez-vous que l'inverseur été câblé correctement : fil blanc à terminal blanc et fil blanc/noir à terminal gris.



### SI LE TÉMOIN DEL VERT DU DÉTECTEUR RÉCEPTEUR NE S'ALLUME PAS :

1. S'assurer que le fil du détecteur n'est pas court-circuité ni rompu.
2. S'assurer que les détecteurs sont alignés



## 17e S'assurer que la commande de porte est correctement raccordée

Si la commande de porte a été installée et câblée correctement, un message s'affichera à l'écran du tableau Smart Control ou la DEL de commande du tableau de commande de détection de mouvement clignotera.

# Réglages

## Introduction

### **AVERTISSEMENT**

Sans un système d'inversion de sécurité bien installé, des personnes (plus particulièrement les petits enfants) pourraient être **GRIÈVEMENT BLESSÉES** ou **TUÉES** par une porte de garage qui se referme.

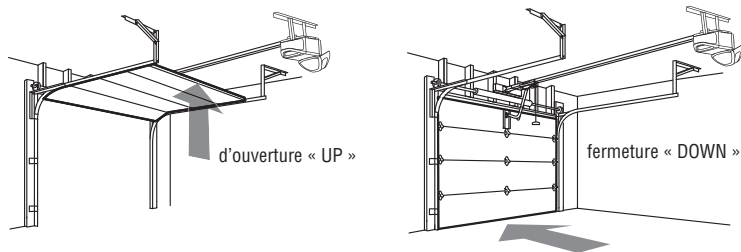
- Un réglage erroné des courses de la porte de garage gênera un fonctionnement approprié du système d'inversion de sécurité.
- Après avoir effectué **QUELQUE** réglage que ce soit, on **DOIT** faire l'essai du système d'inversion de sécurité. La porte de garage **DOIT** remonter au contact d'un objet d'une hauteur de 3,8 cm (1-1/2 de po) (ou un 2 x 4 posé à plat) du sol.

### **ATTENTION**

Pour prévenir les dommages aux véhicules, s'assurer que la porte entièrement ouverte offre un dégagement suffisant.

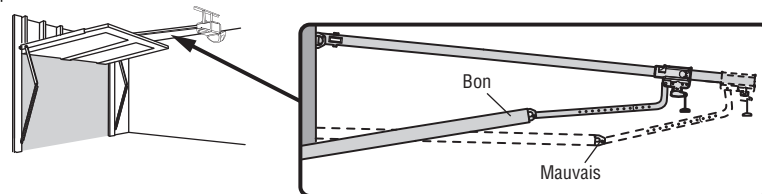
Votre ouvre-porte de garage a été conçu avec des commandes électroniques pour simplifier la configuration et les réglages. Les réglages vous permettent de programmer là où la porte s'arrêtera en position d'ouverture (UP) et de fermeture (DOWN). Les commandes électroniques détectent la force requise pour l'ouverture et pour la fermeture de la porte. La puissance est réglée automatiquement lorsqu'on programme la course.

**REMARQUE :** Si quoi que ce soit gêne l'ouverture de la porte, elle s'arrêtera. Si quoi que ce soit gêne la fermeture de la porte, elle remontera.



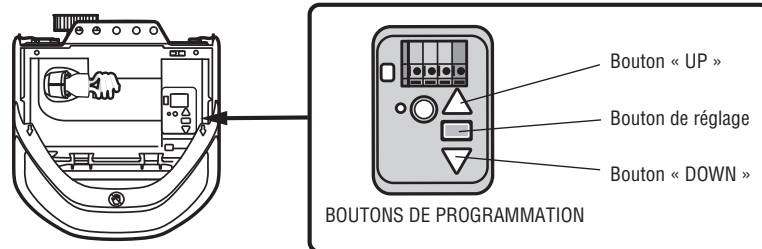
### Portes rigides uniquement

Lors du réglage de la course vers le haut d'une porte rigide, s'assurer que la porte ne penche pas vers l'arrière lorsqu'elle est complètement ouverte. Si la porte est penchée vers l'arrière, cela causera un mouvement brusque de la porte lors de l'ouverture ou de la fermeture.



### Boutons de programmation

Les boutons de programmation sont situés sur le panneau gauche de l'ouvre-porte de garage et servent à programmer la course. Durant programmation, les boutons UP et DOWN pour déplacer la porte vers le haut et le bas, au besoin.



# Réglages

## 1re Programmation de la course

### AVERTISSEMENT

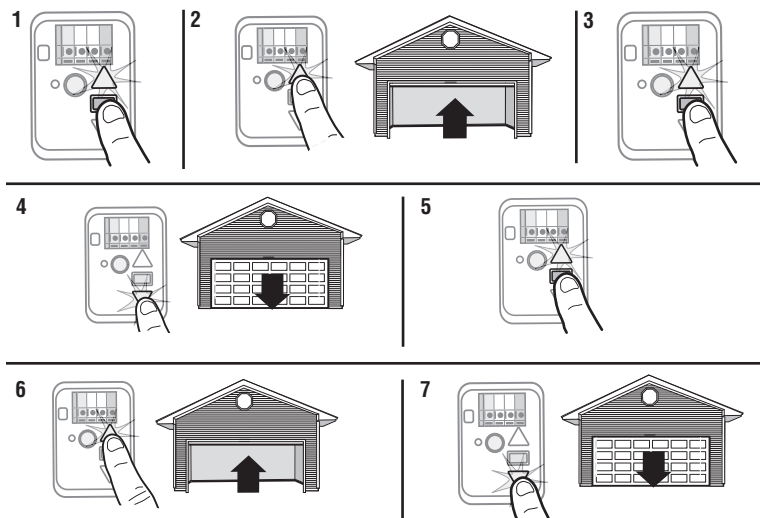
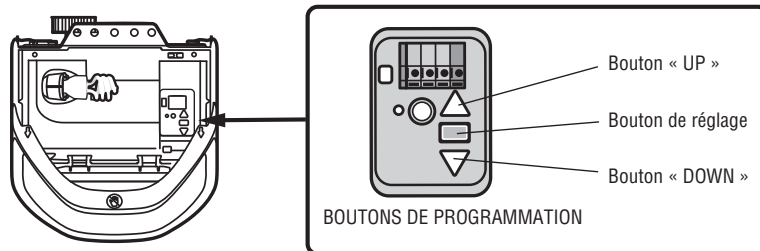
Sans un système d'inversion de sécurité bien installé, des personnes (plus particulièrement les petits enfants) pourraient être GRIÈVEMENT BLESSÉES ou TUÉES par une porte de garage qui se referme.

- Un réglage erroné des courses de la porte de garage gênera un fonctionnement approprié du système d'inversion de sécurité.
- Après avoir effectué QUELQUE réglage que ce soit, on DOIT faire l'essai du système d'inversion de sécurité. La porte de garage DOIT remonter au contact d'un objet d'une hauteur de 3,8 cm (1-1/2 de po) (ou un 2 x 4 posé à plat) du sol.

Durant programmation, les boutons UP et DOWN pour déplacer la porte vers le haut et le bas, au besoin.

1. Appuyer sur le bouton de réglage et le maintenir enfoncé jusqu'à ce que le bouton UP commence à clignoter ou qu'un bip se fasse entendre.
2. Appuyer sur le bouton UP et le maintenir enfoncé jusqu'à ce que la porte soit à la position d'ouverture désirée.
3. Une fois que la porte est dans la position d'ouverture désirée, appuyer sur le bouton de réglage et le relâcher. L'éclairage de l'ouvre-porte de garage clignotera deux fois et le bouton DOWN commencera à clignoter. **REMARQUE IMPORTANT :** Pour installation de les portes rigides voir page 29.
4. Appuyer sur le bouton DOWN et le maintenir enfoncé jusqu'à ce que la porte soit à la position de fermeture désirée.
5. Une fois que la porte est dans la position de fermeture désirée, appuyer sur le bouton de réglage et le relâcher. L'éclairage de l'ouvre-porte de garage clignotera deux fois et le bouton UP commencera à clignoter.
6. Appuyer et relâcher le bouton UP. Lorsque la porte se déplace à la position UP programmée, le bouton DOWN commencera à clignoter.
7. Appuyer et relâcher le bouton DOWN. La porte se déplacera jusqu'à la position de fermeture programmée. La programmation est terminée.

\* Si l'éclairage de l'ouvre-porte de garage clignote 5 fois au cours des étapes de programmation de la course, le délai de programmation a expiré. Si l'éclairage de l'ouvre-porte de garage clignote 10 fois au cours des étapes de programmation de la course, les capteurs d'inversion de sécurité sont mal alignés ou obstrués (voir la page 28). Lorsque les capteurs sont alignés et dégagés, effectuer un cycle d'ouverture et de fermeture complet de la porte en utilisant la télécommande ou les boutons UP et DOWN. La programmation est terminée. Si la porte ne s'actionne pas, répéter les étapes de la programmation de la course.



Pour regarder une vidéo, aller à [tinyurl.com/kwbnhj](http://tinyurl.com/kwbnhj)

# Réglages

## 2e Essai du système d'inversion de sécurité

### **AVERTISSEMENT**

Sans un système d'inversion de sécurité bien installé, des personnes (plus particulièrement les petits enfants) pourraient être GRIÈVEMENT BLESSÉES ou TUÉES par une porte de garage qui se referme.

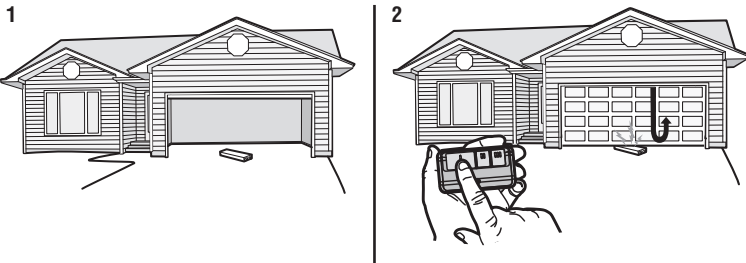
- Le système d'inversion de sécurité DOIT être testé chaque mois.
- Après avoir effectué QUELQUE réglage que ce soit, on DOIT faire l'essai du système d'inversion de sécurité. La porte de garage DOIT remonter au contact d'un objet d'une hauteur de 3,8 cm (1-1/2 de po) (ou un 2 x 4 posé à plat) du sol.

1. La porte étant entièrement ouverte, placer une planche de 3,8 cm (1-1/2 de po) d'épaisseur (ou un 2 x 4 à plat) sur le sol, centrée sous la porte de garage.
2. Appuyer sur le bouton-poussoir de la télécommande pour fermer la porte. La porte DOIT remonter quand elle entre en contact avec la planche.

Si la porte arrête sa course, mais ne l'inverse pas :

1. Revoir les instructions d'installation fournies pour s'assurer que toutes les étapes ont été suivies.
2. Répéter la méthode de programmation de la course (voir Étape 1 – Réglage).
3. Répéter le test d'inversion de sécurité.

Si l'essai échoue encore, appeler un technicien formé en systèmes de porte.



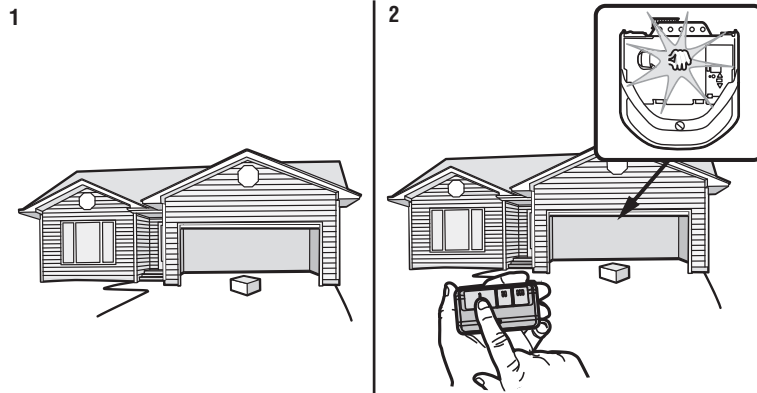
## 3e Essai du Protector System®

### **AVERTISSEMENT**

Sans un système d'inversion de sécurité bien installé, des personnes (plus particulièrement les petits enfants) pourraient être GRIÈVEMENT BLESSÉES ou TUÉES par une porte de garage qui se referme.

1. Ouvrir la porte. Mettre la boîte en carton de l'ouvre-porte dans la trajectoire de la porte.
2. Appuyer sur le bouton-poussoir de la télécommande pour fermer la porte. La porte ne se déplacera pas plus de 2,5 cm (1 po) et les lampes de l'ouvre-porte de garage clignoteront 10 fois.

L'ouvre-porte de garage ne se fermera pas à l'aide d'une télécommande si le témoin DEL d'un des deux capteurs d'inversion est éteint (ce qui avertit que le détecteur est mal aligné ou obstrué). Si l'ouvre-porte de garage ferme la porte lorsque le capteur d'inversion de sécurité est obstrué (et que les capteurs ne sont pas à plus de 15 cm [6 po] du sol), appeler un technicien formé en systèmes de porte.



# Pile de secours

## 1re Pose de la batterie

### AVERTISSEMENT

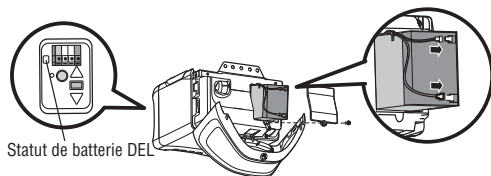
Pour réduire le risque d'INCENDIE ou de BLESSURES :

- Débrancher TOUTE alimentation électrique et la pile AVANT d'effectuer TOUT entretien ou maintenance.
- Utiliser UNIQUEMENT la pièce Chamberlain n° 41A6357-1 pour remplacer la pile.
- Ne jetez PAS la pile dans le feu. La batterie peut exploser. Pour connaître les instructions relatives à son élimination, vérifiez les codes locaux.

### ATTENTION

Porter TOUJOURS des gants de protection et des lunettes de sécurité lorsque vous changez la pile ou travaillez aux alentours du logement de la pile.

1. Débrancher l'ouvre-porte de garage.
2. Ouvrir la lentille de la lampe située sur le panneau droit de l'ouvre-porte de garage. Utiliser un tournevis cruciforme pour retirer le couvercle de la pile de l'ouvre-porte de garage.
3. Insérer partiellement la pile dans son compartiment en faisant pointer les bornes vers l'extérieur.
4. Relier les fils rouge (+) et noir (-) de l'ouvre-porte de garage aux bornes correspondantes de la pile.
5. Remettre en place le couvercle du batterie.
6. Brancher l'ouvre-porte de garage.
7. Attendre que le témoin DEL vert de la pile commence à clignoter avant de passer à la mise à l'essai de la pile.



## 2e Mise à l'essai de la pile

1. Débrancher l'ouvre-porte de garage. La DEL d'état de charge de la pile s'allumera en orange foncé, ce qui indique que l'ouvre-porte fonctionne sur pile ou clignotera pour indiquer que la pile est faible.  
**REMARQUE :** S'assurer que l'ouvre-porte du garage est débranché.
2. Ouvrir et fermer la porte à l'aide de la télécommande ou de la commande de porte. L'ouvre-porte de garage fonctionnera plus lentement si la pile n'est pas complètement chargée. La durée de recharge complète de la pile est de 24 heures.
3. Brancher l'ouvre-porte de garage. Vérifier que le témoin DEL de la pile clignote en vert, ce qui indique que la pile se recharge.





# Pile de secours

## Recharge de la pile

La pile se recharge lorsque l'ouvre-porte de garage est branché dans une prise de courant de 120Vac sous tension. La recharge complète de la pile prend 24 heures. Une pile complètement chargée fournit une tension de 12 V c.c. à l'ouvre-porte de garage pendant une ou deux journées de fonctionnement normal lors d'une panne de courant. Une fois que l'alimentation électrique a été rétablie, la pile se rechargera dans les 24 heures. La pile durera environ un à deux ans pour un usage normal. Les instructions de remplacement sont fournies avec la pile. Pour obtenir une longévité maximale de la pile et éviter des dommages, débrancher la pile si l'ouvre-porte de garage doit rester débranché pendant une longue période de temps, par exemple pour les résidences secondaires.

**REMARQUE :** Lorsque l'ouvre-porte de garage est en mode d'alimentation par pile de secours, les fonctions d'éclairage, de minuterie de fermeture et de fermeture à distance de l'ouvre-porte de garage ne sont pas disponibles.

## DEL d'état de charge de la pile

**REMARQUE :** La DEL d'état de charge de la pile est plus visible lorsque la lampe de l'ouvre-porte de garage est éteinte. La pile n'a pas besoin d'être complètement chargée pour faire fonctionner l'ouvre-porte de garage.

### DEL VERTE :

Tous les systèmes fonctionnent normalement.

- Une DEL de couleur vert foncé indique que la pile est complètement chargée.
- Une DEL de couleur verte qui clignote indique que la pile est en cours de recharge.

### DEL ORANGE :

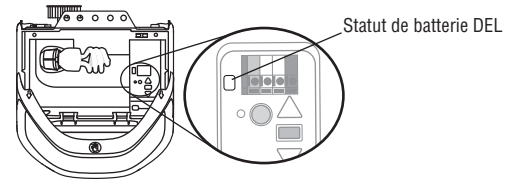
L'ouvre-porte de garage a perdu l'alimentation électrique et est en mode d'alimentation par pile de secours.

- Un témoin DEL de couleur orange foncé, avec un bip qui résonne toutes les 2 secondes environ, indique que l'ouvre-porte de garage fonctionne sur pile.
- Une DEL de couleur orange qui clignote, accompagnée d'un bip qui retentit toutes les 30 secondes indique que la pile est faible.

### DEL ROUGE :

La pile de 12 V de l'ouvre-porte de garage doit être remplacée.

- Un témoin DEL de couleur rouge foncé, accompagnée d'un bip qui résonne toutes les 30 secondes, indique que la pile 12 V ne peut plus être rechargée et doit être remplacée. Appelez pour obtenir une pile de remplacement qui permettra à votre système de fonctionner pendant une panne de courant.



# IMPORTANTES CONSIGNES DE SÉCURITÉ

## **AVERTISSEMENT**

### **Pour réduire le risque de BLESSURES GRAVES, voire MORTELLES :**

1. LIRE ET RESPECTER TOUS LES AVERTISSEMENTS ET TOUTES LES INSTRUCTIONS.
2. Garder EN TOUT TEMPS la télécommande hors de portée des enfants. Ne laissez JAMAIS les enfants faire fonctionner les télécommandes ou les boutons-poussoirs de la commande de porte de garage ou jouer avec ceux-ci.
3. Actionner la porte de garage UNIQUEMENT lorsqu'on peut la voir clairement, qu'elle est bien réglée et qu'aucun objet n'obstrue sa course.
4. Gardez TOUJOURS la porte de garage en vue toute personne ou tout objet à l'écart de la porte jusqu'à sa fermeture complète. PERSONNE NE DOIT CROISER LA TRAJECTOIRE DE LA PORTE EN MOUVEMENT.
5. PERSONNE NE DOIT PASSER SOUS UNE PORTE ARRÊTÉE OU PARTIELLEMENT OUVERTE.
6. Si possible, utilisez la poignée de déclenchement d'urgence pour dégager le chariot UNIQUEMENT lorsque la porte de garage est FERMÉE. Faites preuve de prudence lorsque vous utilisez cette poignée lorsque la porte est ouverte. Des ressorts affaiblis ou brisés ou une porte déséquilibrée peuvent entraîner la chute rapide et/ou inattendue de la porte et accroître le risque de BLESSURES GRAVES, voire MORTELLES.
7. Ne JAMAIS utiliser la poignée de déclenchement d'urgence à moins que rien ou personne n'obstrue la trajectoire de la porte.
8. Ne JAMAIS utiliser la poignée pour ouvrir ou fermer la porte de garage. Il y a risque de chute si le nœud de la corde se défait.
9. Après avoir effectué QUELQUE réglage que ce soit, on DOIT faire l'essai du système d'inversion de sécurité.
10. Le système d'inversion de sécurité DOIT être testé chaque mois. La porte de garage DOIT pouvoir inverser sa course au contact d'un objet de 3,8 cm (1-1/2 de po) (ou d'une planche de 2 x 4) posé(e) sur le sol. À défaut de régler l'ouvre-porte de garage correctement, le risque de BLESSURE GRAVE ou de MORT ACCIDENTELLE sera accru.
11. GARDEZ TOUJOURS LA PORTE DE GARAGE BIEN ÉQUILIBRÉE (voir page 2). Une porte mal équilibrée peut ne PAS inverser sa course en cas de besoin et peut entraîner des BLESSURES GRAVES, voire MORTELLES.
12. TOUTES les réparations des câbles, des ressorts et de la quincaillerie, et de TOUT ce qui se trouve sous une tension EXTRÊME, DOIVENT être confiées à des techniciens formés à cet effet.
13. TOUJOURS mettre l'ouvre-porte de garage hors tension AVANT d'effectuer QUELQUE réparation que ce soit ou d'enlever des couvercles.
14. Ce système opérateur est équipé d'un dispositif de fonctionnement sans surveillance. La porte est susceptible de se mettre en mouvement inopinément. PERSONNE NE DOIT CROISER LA TRAJECTOIRE DE LA PORTE EN MOUVEMENT.
15. NE PAS installer sur une porte rigide dans le cas de dispositifs ou fonctions permettant la fermeture non surveillée. Les dispositifs et fonctions non surveillés doivent être utilisés UNIQUEMENT avec des portes articulées.

## **16. CONSERVER CES INSTRUCTIONS.**

# Fonctionnement

## Caractéristiques

Votre ouvre-porte de garage est dotée de fonctions qui vous offrent un meilleur contrôle du fonctionnement de votre porte de garage.

### MyQ®

La technologie MyQ® utilise un signal de 900 MHz offrant une communication à deux voies entre l'ouvre-porte de garage et les accessoires activés par MyQ®. Votre porte de garage est compatible avec un maximum de 8 accessoires MyQ®. Pour les applications de téléphone intelligent commandant votre ouvre-porte de garage et pour les autres accessoires MyQ®, la passerelle Internet MyQ® de Chamberlain (modèle CIGBU) est requise.

### MINUTERIE DE FERMETURE (TTC)

La temporisation de fermeture ferme automatiquement la porte après une période déterminée. **Ne PAS activer la temporisation de fermeture s'il s'agit d'une porte rigide. La temporisation de fermeture doit être utilisée UNIQUEMENT sur les portes articulées.** Elle est désactivée par défaut selon le réglage d'usine. Avant la fermeture de la porte, l'ouvre-porte de garage émet des bip et l'éclairage se met à clignoter. La fonction de minuterie se désactive si la porte de garage rencontre une obstruction deux fois ou si les détecteurs inverseurs de sécurité ont été mal installés. La porte de garage remonte et NE se ferme PAS jusqu'à l'élimination des obstructions ou l'installation correcte des détecteurs inverseurs. Après l'élimination des obstructions et l'alignement correct des détecteurs inverseurs, la porte se fermera si vous actionnez l'ouvre-porte de garage. La minuterie de fermeture ne fonctionnera PAS si l'ouvre-porte de garage est alimenté par batterie ou si les détecteurs inverseurs de sécurité ne sont pas alignés. Cette fonction n'est PAS destinée à être la principale méthode de fermeture de la porte. **Une commande de télédéverrouillage (émetteur mural à code) doit être installée dans le cas d'un verrouillage accidentel lors de l'utilisation de cette fonction.**

### TÉLÉCOMMANDES ET COMMANDES DE PORTE (MyQ®)

L'ouvre-porte de garage a été programmé en usine de manière à fonctionner avec la télécommande, qui change de code à chaque utilisation, accédant au hasard à plus de 100 milliards de nouveaux codes. Compatible avec les accessoires MyQ®, voir la page 44.

**REMARQUE :** Les anciens télécommandes, commandes de porte Chamberlain, et les produits de tiers ne son pas compatibles.

Accessoires MyQ®	CAPACITÉ DE MISE EN MÉMOIRE
Télécommandes	Jusqu'à 8
Commandes de porte	Jusqu'à 2 commandes de porte MyQ®
Ouvre-porte sans clé	Jusqu'à 1

## LE PROTECTOR SYSTEM® (CAPTEURS D'INVERSION DE SÉCURITÉ)

Lorsqu'il est bien connecté et bien aligné, le capteur d'inversion détectera un obstacle sur le passage de son faisceau infrarouge. Si un obstacle brise le faisceau infrarouge pendant que la porte se ferme, la porte s'arrêtera et remontera jusqu'à la position entièrement ouverte et les lumières de l'ouvre-porte clignoteront 10 fois. Si la porte est complètement ouverte et que les capteurs d'inversion ne sont pas installés ou sont mal alignés, la porte ne se ferme pas à partir d'une télécommande. Cependant, il est possible de fermer la porte en maintenant le bouton de la commande de porte ou de l'émetteur à code jusqu'à ce que la porte soit totalement fermée. Le capteur d'inversion n'a aucun effet sur le cycle d'ouverture.

### ÉCONOMIE D'ÉNERGIE

Pour économiser l'énergie, l'ouvre-porte de garage se met en mode de veille lorsque la porte est complètement fermée. Le mode de veille ferme l'ouvre-porte de garage jusqu'à ce qu'il soit activé. Le mode veille est séquentiel à l'ampoule d'éclairage de l'ouvre-porte de garage; lorsque l'ampoule s'éteint, le témoin DEL du capteur s'éteint et chaque fois que l'éclairage de l'ouvre-porte de garage s'allume, le témoin DEL du capteur s'allume. L'ouvre-porte de garage ne se met en mode de veille que lorsqu'il a achevé cinq cycles de mise sous tension.

### ÉCLAIRAGE

Les ampoules de l'ouvre-porte de garage s'allument lorsque ce dernier est initialement branché; que le courant est rétabli après une panne ou lorsque l'ouvre-porte de garage est activé. Les lumières s'éteindront automatiquement après 4-1/2 minutes. On peut utiliser une ampoule à incandescence A19 (100 watts, maximum) ou, pour une efficacité énergétique maximale, une lampe fluorescente compacte de 26 W (équivalent à 100 W) **REMARQUE :** L'utilisation d'ampoules halogènes, à col court ou d'ampoules spécialisées peut causer une surchauffe du panneau d'extrémité ou de la douille. Ne pas utiliser d'ampoules à DEL sous risque de réduire la portée ou le rendement de votre ou vos commandes à distance.

### Fonction d'éclairage

L'ouvre-porte de garage est doté d'une fonction supplémentaire; l'éclairage s'allume quand quelqu'un entre par la porte de garage ouverte et interrompt le faisceau infrarouge du détecteur inverseur de sécurité. Pour un contrôle supplémentaire des ampoules de votre ouvre-porte de garage, reportez-vous au page page 36 et page 37.

### PILE DE SECOURS

Le système d'alimentation par batterie de secours vous permet d'entrer ou de sortir de votre garage lors d'une panne de courant. Lorsque l'ouvre-porte de garage est alimenté par la batterie de secours, l'ouvre-porte de garage fonctionne plus lentement, l'éclairage ne fonctionne pas, la DEL d'état de charge de la batterie s'allume en orange et un bip se fait entendre environ toutes les deux secondes.

# Fonctionnement

## Utilisation de votre ouvre-porte de garage

L'ouvre-porte de garage peut être activé par une commande de porte murale, une télécommande, un émetteur à code ou un accessoire MyQ®.

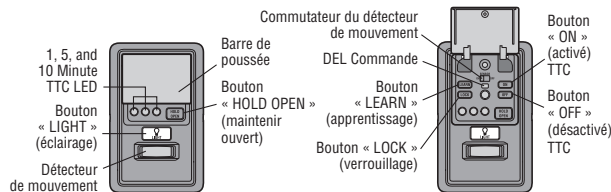
Lorsque la porte est fermée et que l'ouvre-porte de garage est activé, la porte s'ouvrira. Si la porte détecte un obstacle ou est interrompue lors de son ouverture, elle s'arrêtera. Si la porte n'est pas fermée et que l'ouvre-porte de garage est activé, elle se fermera. Si l'ouvre-porte de garage détecte un obstacle pendant la fermeture, la porte inversera sa course. Si l'obstacle interrompt le faisceau du détecteur, les lumières de l'ouvre-porte de garage clignoteront pendant 10 secondes. Cependant, vous pouvez fermer la porte si vous maintenez le bouton de la commande de porte ou la commande de télédéverrouillage jusqu'à ce que la porte soit totalement fermée.

Les capteurs d'inversion de sécurité n'ont aucun effet sur le cycle d'ouverture. Le détecteur inverseur de sécurité doit être raccordé et aligné correctement avant que l'ouvre-porte de garage n'entame la procédure de fermeture.

## Panneau de commande avec détection de mouvement :

### SYNCHRONISATION DE LA COMMANDE DE PORTE

Pour synchroniser la commande de porte et l'ouvre-porte de garage, appuyer sur la barre-poussoir jusqu'à ce que l'ouvre-porte de garage s'active (cela peut prendre jusqu'à 3 pressions). Vérifier la commande de la porte en appuyant sur la barre-poussoir, chaque pression sur la barre-poussoir activera l'ouvre-porte de garage.



## FONCTIONS DE LA PANNEAU DE COMMANDE AVEC DÉTECTION DE MOUVEMENT

### BARRE DE POUSSÉE

Appuyer sur la touche-poussoir pour ouvrir ou fermer la porte.

### ÉCLAIRAGE

#### Bouton « LIGHT » (éclairage)

Appuyer sur le bouton « LIGHT » (éclairage) pour allumer ou éteindre l'éclairage de l'ouvre-porte de garage. Quand les témoins sont allumés, ils resteront ainsi jusqu'à ce qu'on appuie à nouveau sur le bouton « LIGHT » (éclairage) ou qu'on mette l'ouvre-porte de garage sous tension. Quand on met l'ouvre-porte de garage sous tension, les témoins s'éteignent après le délai spécifié (le réglage d'usine est de 4 minutes et demie). Ce bouton « LIGHT » (éclairage) ne permet pas de commander l'éclairage pendant que la porte est en mouvement.

#### Pour modifier la durée de l'éclairage de l'ouvre-porte de garage :

Maintenir enfoncé le bouton « LOCK » (verrouillage) jusqu'à ce que l'éclairage de l'ouvre-porte de garage se mette à clignoter (environ 10 secondes). L'intervalle de temps est indiqué par le nombre de clignotements :

- 1 clignotement est 1-1/2 minutes
- 2 clignotement est 2-1/2 minutes
- 3 clignotement est 3-1/2 minutes
- 4 clignotement est 4-1/2 minutes

Pour effectuer un cycle des intervalles de temps, répéter l'étape ci-dessus.

### Fonction d'éclairage

L'éclairage s'allume quand quelqu'un entre par la porte de garage ouverte et que le faisceau infrarouge du capteur d'inversion de sécurité est détectueux.

- **Désactiver** : Appuyer sur le bouton « LIGHT » et le maintenir enfoncé jusqu'à ce que l'éclairage de l'ouvre-porte de garage s'éteigne puis s'allume à nouveau.
- **Activer** : Commencer avec l'éclairage de l'ouvre-porte de garage allumé. Appuyer sur le bouton « LIGHT » et le maintenir enfoncé jusqu'à ce que l'éclairage de l'ouvre-porte de garage s'éteigne puis s'allume à nouveau (environ 10 secondes).

Si le témoin DEL de la commande clignote continuellement, la fonction de déverrouillage doit être désactivée.

### Détecteur de mouvement

Il est activé par défaut selon le réglage d'usine. Cette fonction allumera automatiquement l'éclairage de l'ouvre-porte de garage lorsqu'un mouvement est détecté. L'éclairage s'allume pendant la période de temps fixée, puis s'éteint. Si l'éclairage de l'ouvre-porte de garage sert comme une lampe de travail, désactiver l'éclairage automatique; sinon, l'éclairage s'éteindra automatiquement quand vous êtes hors de portée du capteur.

**Activer / Désactiver** : Faire glisser le commutateur du détecteur de mouvement sur ACTIVÉ ou DÉSACTIVER.

# Fonctionnement

## Panneau de commande avec détection de mouvement (suite)

### VERROUILLAGE

La fonction de verrouillage est conçue pour empêcher l'activation de l'ouvre-porte de garage à partir des télécommandes tout en permettant l'activation à partir de la commande de porte et de télédéverrouillage. Cette fonction est utile pour avoir l'esprit en paix lorsque la maison est vide (p. ex., pendant les vacances). Cette fonction est utile pour avoir l'esprit en paix lorsque la maison est vide (p. ex., pendant les vacances).

- **Activer :** Appuyer sur le bouton « LOCK » (verrouillage) et le maintenir enfoncé pendant 2 secondes. Le témoin DEL de la commande clignotera tant que la fonction de verrouillage est activée et la télécommande ne fera pas fonctionner votre porte pour le moment.
- **Désactiver :** Appuyer sur le bouton « LOCK » (verrouillage) et le maintenir enfoncé pendant 2 secondes. Le témoin DEL de la commande s'arrête de clignoter et le fonctionnement normal reprend.

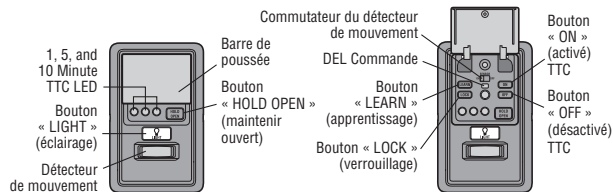
### MINUTERIE DE FERMETURE

**Ne PAS activer la minuterie de fermeture s'il s'agit d'une porte rigide.** La temporisation de fermeture peut être activée ou désactivée et l'intervalle de temps peut être réglé à 1, 5 et 10 minutes. Lorsque la fonction TTC a été actionnée et la porte est ouverte, l'écran affiche l'intervalle de fermeture sélectionné et commencez à compter vers le bas pour fermer la porte.

- **Activer :** Appuyer sur le bouton « ON » (marche) et le maintenir enfoncé jusqu'à ce que le témoin DEL de la minuterie s'allume. Ensuite, appuyer de nouveau sur le bouton « ON » (marche) pour faire défiler les options relatives aux intervalles de temps (le témoin DEL correspondant de la temporisation de fermeture s'allume pour chaque intervalle de temps). L'éclairage de l'ouvre-porte de garage se met à clignoter à titre de confirmation.
- **Désactiver :** Appuyer sur le bouton « OFF » (arrêt) et le maintenir enfoncé jusqu'à ce que tous les témoins DEL de la minuterie de fermeture s'éteignent et qu'un bip se fait entendre dans le bloc moteur.
- **Maintenir temporairement la porte ouverte (suspendre le TTC) :** Appuyer sur bouton « HOLD OPEN » puis le relâcher. Appuyer de nouveau sur ce bouton pour reprendre le fonctionnement normal de la temporisation de fermeture.

### PROGRAMMATION

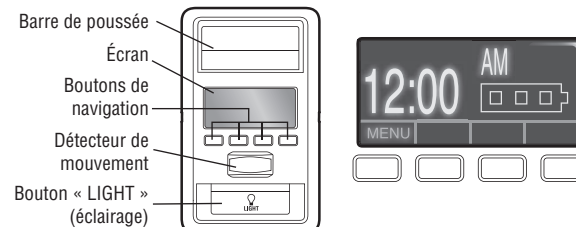
On peut programmer toutes les télécommandes compatibles, les commandes de téléverrouillage ou les accessoires MyQ® pour l'ouvre-porte de garage en accédant au appuyant sur le bouton « LEARN » (apprentissage).



## Smart Control Panel®

### SYNCHRONISATION DE LA COMMANDE DE PORTE

Pour synchroniser la commande de porte et l'ouvre-porte de garage, appuyer sur la barre-poussoir jusqu'à ce que l'ouvre-porte de garage s'active (cela peut prendre jusqu'à 3 pressions). Vérifier la commande de la porte en appuyant sur la barre-poussoir, chaque pression sur la barre-poussoir activera l'ouvre-porte de garage.



### FONCTIONS DU SMART CONTROL PANEL

#### BARRE DE POUSSÉE

Appuyer sur la touche-poussoir pour ouvrir ou fermer la porte.

#### ÉCLAIRAGE

##### Bouton « LIGHT » (éclairage)

Appuyer sur le bouton « LIGHT » (éclairage) pour allumer ou éteindre l'éclairage de l'ouvre-porte de garage. Quand les témoins sont allumés, ils resteront ainsi jusqu'à ce qu'on appuie à nouveau sur le bouton « LIGHT » (éclairage) ou qu'on mette l'ouvre-porte de garage sous tension. Une fois que l'ouvre-porte de garage est activée, l'éclairage s'éteint après la période de temps spécifiée (le réglage d'usine est de 4-1/2 minutes). Ce bouton « LIGHT » (éclairage) ne permet pas de commander l'éclairage pendant que la porte est en mouvement. On peut régler la durée de l'éclairage en accédant au menu, puis en utilisant les touches de navigation.

##### Détecteur de mouvement

Le détecteur de mouvement allume automatiquement l'éclairage de l'ouvre-porte de garage lorsqu'il détecte un mouvement. L'éclairage s'allume pendant la période de temps fixée, puis s'éteint. Le réglage par défaut est activé et défini à 4-1/2 minutes.

# Fonctionnement

## Smart Control Panel® (suite)

### Fonction d'éclairage

L'éclairage s'allume quand quelqu'un entre par la porte de garage ouverte et que le faisceau infrarouge du capteur d'inversion de sécurité est défectueux. Si vous utilisez l'éclairage de l'ouvre-porte comme éclairage de travail, allumez la lumière à partir de l'interrupteur de la commande murale pour éviter qu'elle ne s'éteigne lorsque vous êtes au-delà de la portée du détecteur.

### VERROUILLAGE

La fonction de verrouillage est conçue pour empêcher l'activation de l'ouvre-porte de garage à partir des télécommandes tout en permettant l'activation à partir de la commande de porte et de télédéverrouillage. Cette fonction est utile pour avoir l'esprit en paix lorsque la maison est vide (p. ex., pendant les vacances). Cette fonction est utile pour avoir l'esprit en paix lorsque la maison est vide (p. ex., pendant les vacances).

Lorsque la fonction Lock est activée, les télécommandes sont hors service et le message suivant s'affiche sur la commande de porte (Figure 1).

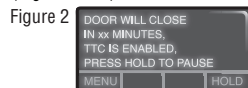
### MINUTERIE DE FERMETURE (TTC)

**Ne PAS activer la temporisation de fermeture s'il s'agit d'une porte rigide.** Vous pouvez régler la fonction TTC pour obtenir la fermeture automatique de la porte de garage ouverte après une période de temps spécifiée (intervalles d'une, de cinq ou de dix minutes ou durée "personnalisée" de maxi 99 minutes). L'écran de la commande de porte peut afficher l'état de la minuterie de fermeture. Lorsque la fonction TTC a été actionnée et la porte est ouverte, l'écran affiche l'intervalle de fermeture sélectionné et montre en alternance l'heure et le message TTC. Lorsque le TTC est activé, un message s'affiche sur l'écran de commande de porte (Figure 2).

Appuyez sur la touche « HOLD » puis la relâchez pour temporairement suspendre la fonction TTC. Appuyez sur la bouton « REL » pour réactiver le fonctionnement normal TTC (Figure 3).

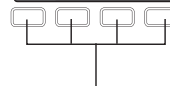
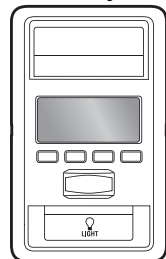
### PILE DE SECOURS

Si votre ouvre-porte de garage est muni d'une pile de secours, la commande de porte affichera un des messages suivants en cas de problème avec la pile (Figures 4 et 5).



## MENU DU SMART CONTROL PANEL

Les fonctions de la commande de porte peuvent être programmées grâce à une série de menus à l'écran et aux touches de navigation.



### Écran

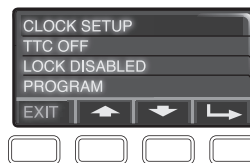
L'écran va indiquer l'heure, la température et le niveau de chargement de la batterie (si applicable) jusqu'à ce que le bouton de menu soit pressé, et alors, il va indiquer les choix du menu. En cas de problème avec l'ouvre-porte de garage, l'écran affiche le code Diagnostic.

### Touches de navigation

Servez-vous des touches de navigation pour faire des sélections et utiliser les fonctions du programme.

## MENU DU FONCTIONS

Appuyez sur la touche de navigation sous « MENU » pour afficher le menu Features (fonctions).



Régler l'heure, choisir un horaire de 12 ou 24 heures et afficher-masquer l'heure.

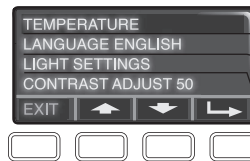
Mettre la minuterie de fermeture en marche ou à l'arrêt et définir l'intervalle de temps qui s'écoule avant la fermeture de la porte.

Active et désactive le verrouillage.

Ajouter des télécommandes, des dispositifs MyQ®, un bouton de télécommande supplémentaire pour contrôler l'éclairage de votre ouvre-porte de garage ou une commande de télédéverrouillage.

## MENU DU RÉGLAGES

Appuyer sur la touche de navigation située sous la flèche descendante jusqu'à ce que l'on voit TEMPERATURE pour afficher le menu Settings (paramètres).



Afficher la température en degrés Fahrenheit ou Celsius et afficher ou masquer la température.

Sélectionner une langue.

Régler la durée d'allumage de l'éclairage de l'ouvre-porte de garage après un cycle d'ouverture ou de fermeture, une plage à sélectionner de 1 1/2 à 4 1/2 minutes. Mettre le capteur de mouvement et la fonction d'éclairage de l'entrée à l'arrêt ou en marche.

Ajuster le contraste de l'écran.

# Fonctionnement

## Télécommandes et émetteurs à code

Télécommande préprogrammée incluse, ne pas programmer la télécommande.

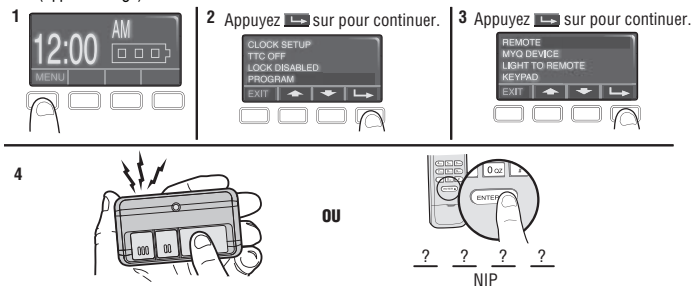
Pour ajouter ou reprogrammer une télécommande, suivre les instructions ci-dessous. Les télécommandes Chamberlain plus anciennes ne sont PAS compatibles, consulter la page 44 pour les accessoires compatibles.

### PROGRAMMATION AVEC LA COMMANDE DE PORTE

1. Appuyez sur la touche de navigation sous « MENU » pour afficher le menu Features (fonctions).
2. Servez-vous des touches de navigation pour naviguer jusqu'à « PROGRAM ».
3. Sélectionner « REMOTE » (télécommande) ou « KEYPAD » (clavier de l'émetteur à code) pour programmer à partir du menu.
4. **Télécommande** : Appuyer sur le bouton de la télécommande que vous souhaitez utiliser pour faire fonctionner la porte de garage.

**Clavier sans fil** : Introduire un numéro d'identification personnelle (NIP) à quatre chiffres de son choix sur le pavé numérique. Appuyer ensuite sur le bouton ENTER.

L'éclairage de l'ouvre-porte de garage clignote (ou deux déclics se font entendre) une fois que le code a été programmé. Répéter les étapes ci-dessus pour la programmation des télécommandes supplémentaires ou des dispositifs d'émission mural à code. Si la programmation échoue, programmer la télécommande en utilisant le bouton « LEARN » (apprentissage).



Pour regarder une vidéo, aller à [tinyurl.com/lcsf6xt](https://tinyurl.com/lcsf6xt)

## HomeLink®

Si votre véhicule est équipé de HomeLink®, il sera peut être nécessaire de se procurer un pont Compatibility Bridge™ (non inclus) pour certains véhicules. Aller à [bridge.chamberlain.com](https://bridge.chamberlain.com) pour savoir si un pont sera nécessaire.

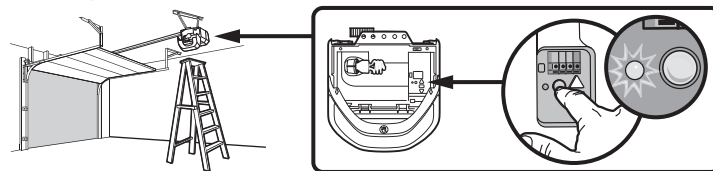
## Pour effacer la mémoire

### EFFACER TOUTES LES TÉLÉCOMMANDES ET LES COMMANDES DE TÉLÉDÉVERROUILLAGE

1. Appuyer sur le bouton « LEARN » (apprentissage) de l'ouvre-porte de garage et le maintenir enfoncé jusqu'à ce que le témoin DEL du bouton « LEARN » s'éteigne (environ 6 secondes). Tous les codes de la télécommande et de l'émetteur à code sont maintenant effacés. Reprogrammer tout accessoire que vous souhaitez utiliser.

### EFFACER TOUTES LES DISPOSITIFS (Y compris les accessoires MyQ®)

1. Appuyer sur le bouton « LEARN » (apprentissage) de l'ouvre-porte de garage et le maintenir enfoncé jusqu'à ce que le témoin DEL du bouton « LEARN » s'éteigne (environ 6 secondes).
2. Appuyer immédiatement sur le bouton « LEARN » (apprentissage) et le maintenir enfoncé une nouvelle fois jusqu'à ce que le témoin DEL du bouton LEARN s'éteigne. Tous les codes sont maintenant effacés. Reprogrammer tout accessoire que vous souhaitez utiliser.



# Fonctionnement

## Ouverture manuelle de la porte

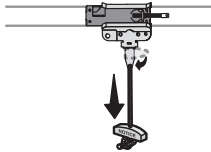
### **AVERTISSEMENT**

Pour prévenir d'éventuelles BLESSURES GRAVES ou LA MORT par suite de la chute d'une porte de garage :

- Si possible, utilisez la poignée de déclenchement d'urgence pour dégager le chariot **UNIQUEMENT** lorsque la porte de garage est **FERMÉE**. Des ressorts faibles ou brisés ou une porte déséquilibrée peuvent provoquer la chute rapide et/ou imprévue d'une porte ouverte.
- Ne **JAMAIS** utiliser la poignée de déclenchement d'urgence à moins que rien ou personne n'obstrue la trajectoire de la porte.
- Ne **JAMAIS** utiliser la poignée pour ouvrir ou fermer la porte. Il y a risque de chute si le nœud de la corde se défait.

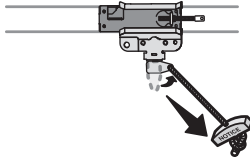
### DÉGAGEMENT DU CHARIOT

1. Dans la mesure du possible, la porte doit être complètement fermée.
2. Tirer sur la poignée de dégagement de secours pour que la biellette de dégagement du chariot se libère en position verticale. Il sera alors possible d'ouvrir et de fermer la porte à la main autant de fois qu'on le désirera.



### RACCORDEMENT DU CHARIOT

1. Tirer la poignée de dégagement de secours vers l'ouvre-porte de garage de façon à ce que la biellette de dégagement du chariot se libère à l'horizontale. Le chariot se réenclenchera lors de la prochaine ouverture ou fermeture de la porte, soit manuellement ou à l'aide de la commande de la porte ou de la télécommande.





# Entretien

## Calendrier d'entretien

### CHAQUE MOIS

- Faire fonctionner la porte à la main. Si elle est déséquilibrée ou si elle force, appeler un technicien formé en systèmes de porte.
- S'assurer que la porte s'ouvre et se ferme complètement. Ajuster, au besoin, voir page 29.
- Contrôle du système d'inversion de sécurité. Ajuster, au besoin, voir page 31.

### CHAQUE ANNÉE

- Huiler les galets, les roulements et les charnières de la porte. Il n'est pas nécessaire de lubrifier davantage l'ouvre-porte de garage. Ne pas graisser les guides de la porte.
- Tester la pile et songer à la remplacer pour s'assurer que la porte de garage fonctionnera pendant une panne de courant, voir la page 32 pour l'essai de la pile de secours.

AVIS : Cet appareil est conforme aux dispositions de la partie 15 du règlement de la FCC et de l'exemption de licence IC (Industrie Canada) RSS. L'utilisation est assujettie aux deux conditions suivantes : (1) ce dispositif ne peut causer d'interférences nuisibles, et (2) ce dispositif doit accepter toute interférence reçue, y compris toute interférence pouvant causer un fonctionnement non désiré.

Tout changement ou modification non expressément approuvé par la partie responsable de la conformité pourrait annuler l'autorité de l'utilisateur d'utiliser l'équipement.

Cet appareil doit être installé de manière à laisser une distance d'au moins 20 cm (8 po) entre celui-ci et l'utilisateur ou toute personne.

Cet appareil a été testé et déclaré conforme aux limites d'un dispositif numérique de Classe B, conformément à la partie 15 du règlement de la FCC et de la norme NMB d'Innovation, Sciences et Développement économique Canada. Ces limites ont pour but de fournir une protection raisonnable contre les interférences nuisibles dans une installation résidentielle. Cet équipement génère, utilise et peut émettre des fréquences radio et, s'il n'est pas installé et utilisé conformément aux instructions, peut causer des interférences nuisibles aux communications radio. Cependant, il n'existe aucune garantie que des interférences ne se produiront pas dans une installation particulière. Si cet équipement provoque des interférences nuisibles à la réception d'une diffusion sonore ou visuelle, ce qu'on peut déterminer en l'allumant et en l'éteignant, l'utilisateur est invité à essayer de résoudre ce problème en prenant une ou plusieurs des mesures suivantes :

- Réorienter ou déplacer l'antenne de réception.
- Augmenter la distance entre l'équipement et le récepteur.
- Brancher l'appareil à une prise sur un circuit différent de celui du récepteur.
- Pour obtenir de l'aide, consulter le détaillant ou un radiotechnicien chevronné.

## La pile de la télécommande

### **AVERTISSEMENT**

Pour éviter des BLESSURES GRAVES, VOIRE MORTELLES :

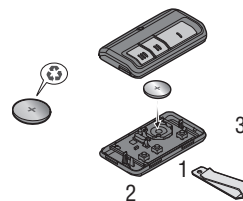
- Ne laissez JAMAIS des enfants s'approcher de la pile.
- Communiquez immédiatement avec un médecin en cas d'ingestion d'une pile.

Pour réduire le risque d'incendie, d'explosion ou de brûlure chimique :

- La remplacer UNIQUEMENT par une pile bouton 3V CR2032.
- NE PAS recharger, démonter, chauffer à plus de 100 °C (212 °F) ou incinérer les piles.

La pile au lithium 3V CR2032 devrait durer pendant une période allant jusqu'à 3 ans. Si la pile est faible, la DEL de la télécommande ne clignotera pas lorsque le bouton est enfoncé.

Pour remplacer la pile, soulever le boîtier au milieu (1), puis de chaque côté de l'agrafe (2 et 3) de pare-soleil. Remplacer les piles uniquement par des piles bouton 3V CR2032. Insérer la pile avec le côté positif vers le haut (+). Mettre la pile usée au rebut de manière appropriée.



# Dépannage

## Fiche diagnostique

Des fonctions d'autodiagnostic ont été programmées dans votre ouvre-porte de garage. Les flèches vers le haut et le bas de l'ouvre-porte de garage font clignoter les codes d'anomalie.

CODE D'ANOMALIE		SYMPTÔME	SOLUTION
La flèche vers le haut clignote	La flèche vers le bas clignote		
1	1	L'ouvre-porte de garage ne ferme pas la porte et l'éclairage clignote.	Les détecteurs inverseurs de sécurité ne sont pas installés, connectés, ou les fils sont coupés. Vérifier les fils du détecteur pour y déceler tout fil débranché ou coupé.
1	2	L'ouvre-porte de garage ne ferme pas la porte et l'éclairage clignote.	Les détecteurs inverseurs de sécurité sont court-circuités ou un fil est inversé. Inspecter le câblage des détecteurs inverseurs de sécurité et tous les points d'agrafe et de connexion; remplacer ou corriger les fils au besoin.
1	3	La commande de porte ne fonctionne pas.	Les fils de la commande de porte sont court-circuités ou la commande de porte est défectueuse. Inspecter le câblage des détecteurs inverseurs de sécurité et tous les points d'agrafe et de connexion; remplacer ou corriger les fils au besoin.
1	4	L'ouvre-porte de garage ne ferme pas la porte et l'éclairage clignote.	Les détecteurs inverseurs de sécurité sont désalignés ou momentanément obstrués. Réaligner les deux détecteurs pour s'assurer que les deux DEL s'allument de manière continue et ne clignotent pas. S'assurer que rien ne pend ou n'est monté sur la porte, ce qui pourrait perturber le champ des détecteurs pendant la fermeture.
1	5	La porte est en mouvement sur une distance de 15 à 20 cm (6 à 8 po), puis s'arrête ou inverse sa course. Aucun mouvement, même pas un dé clic. L'ouvre-porte émet un faible murmure pendant une à deux secondes, mais la porte ne bouge pas.	Ouvrir et fermer manuellement la porte. Vérifier si un objet est collé ou obstrue la porte, comme un ressort ou une serrure brisé(e); corriger au besoin. Vérifier les connexions de câble au module de course et à la plaque logique. Remplacer le module au besoin. Ouvrir et fermer manuellement la porte. Vérifier si un objet est collé ou obstrue la porte, comme un ressort ou une serrure brisé(e); corriger au besoin. Remplacer la plaque logique au besoin. Ouvrir et fermer manuellement la porte. Vérifier si un objet est collé ou obstrue la porte, comme un ressort ou une serrure brisé(e); corriger au besoin. Remplacer le moteur au besoin.
1	6	La porte glisse après qu'elle se soit complètement arrêtée.	Programmer la course jusqu'à la position de glissement ou faire équilibrer la porte par un technicien formé en systèmes de porte.
2	1-5	Aucun mouvement ni son.	Remplacer la carte logique.
3	2	Impossible de régler la course ou la position de retenue.	Vérifier le module de course, le remplacer au besoin.
3	3	La DEL d'état de charge de la pile clignote constamment.	Erreur du circuit de charge de la pile de secours; remplacer la plaque logique.

# Dépannage

CODE D'ANOMALIE		SYMPTÔME	SOLUTION
La flèche vers le haut clignote	La flèche vers le bas clignote		
4	1-4	Le mouvement de porte s'interrompt ou/et repart en direction inverse.	Ouvrir et fermer manuellement la porte. Vérifier si un objet est collé ou obstrue la porte, comme un ressort ou une serrure brisé(e); corriger au besoin. Si la porte force ou colle, appeler un technicien formé en systèmes de porte. Si la porte ne force pas ou ne colle pas, essayer de reprogrammer la course (consulter la page page 30).
4	5	La porte est en mouvement sur une distance de 15 à 20 cm (6 à 8 po), puis s'arrête ou inverse sa course.	Erreur de communication avec le module de commande de la course. Vérifier les connexions du module de course; remplacer le module au besoin.
4	6	L'ouvre-porte de garage ne ferme pas la porte et l'éclairage clignote.	Les détecteurs inverseurs de sécurité sont désalignés ou momentanément obstrués. Réaligner les deux détecteurs pour s'assurer que les deux DEL s'allument de manière continue et ne clignent pas. S'assurer que rien ne pend ou n'est monté sur la porte, ce qui pourrait perturber le champ des détecteurs pendant la fermeture.

## Dépannage supplémentaire

### L'ouvre-porte de garage peut émettre des bips pour plusieurs raisons :

- Fonctionnement sur l'alimentation de la pile ou la pile de 12 V c. c. en courant continu doit être remplacée, consulter la page page 32.
- L'ouvre-porte de garage a été activé par un dispositif ou d'une fonction comme la temporisation de fermeture ou un moniteur de porte de garage, consulter la page page 35.

### Ma télécommande n'actionne pas la porte de garage :

- Vérifier si la fonction de verrouillage n'est pas activée sur la commande de porte.
- Reprogrammer la télécommande.
- Si la télécommande n'actionne toujours pas la porte, vérifier les codes d'anomalie pour s'assurer que l'ouvre-porte de garage fonctionne correctement.

### Ma porte ne se ferme pas et les ampoules de l'éclairage du moteur clignent :

Le capteur d'inversion de sécurité doit être connecté et aligné correctement avant que l'ouvre-porte de garage n'entame le mouvement de fermeture.

- Vérifier que les détecteurs inverseurs de sécurité sont bien installés et libres de toute obstruction.

### L'éclairage de l'ouvre-porte de garage ne s'éteint pas quand la porte est ouverte :

L'ouvre-porte de garage est doté d'une fonction qui allume l'éclairage lorsque les détecteurs inverseurs de sécurité sont obstrués ou que le détecteur de mouvement de la commande de porte détecte un mouvement dans le garage. Ces fonctions peuvent être désactivées à l'aide de la commande de porte, consulter la page page 36.

### La télécommande de mon voisin ouvre ma porte de garage :

Effacer la mémoire de votre ouvre-porte de garage et reprogrammer la télécommande.

### Les DEL de la commande de porte clignent :

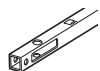
Si vous avez un panneau Smart Control installé et que la minuterie de fermeture est réglée à une heure personnalisée, appuyer sur le bouton ON (marche) sur le panneau de commande de détection de mouvement de qualité supérieure pour régler l'heure correctement.

### La télécommande Homelink® de mon véhicule n'arrive pas à programmer mon ouvre-porte de garage :

Un pont Compatibility Bridge™ (non inclus) sera peut-être nécessaire pour certains véhicules. Aller à [bridge.chamberlain.com](http://bridge.chamberlain.com) pour savoir si un pont sera nécessaire.

# Accessoires

8808CB



**Rallonge de rail de 2,4 m (8 pieds) :**

Pour permettre à une porte de 2,4 m (8 pieds) de s'ouvrir complètement.

041A5281-1



**Ménsulas de extension:**

((Facultatif) Pour la pose du capteur de l'inverseur de sécurité au mur ou au sol.

953EVC



**Télécommande :**

Fonctionne avec TOUS les ouvre-porte Chamberlain fabriqués depuis 1993. Compatible avec MyQ®. Comprend l'agrafe de paresoleil.

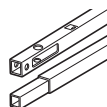
956EVC



**Télécommande porte-clés :**

Fonctionne avec TOUS les ouvre-porte Chamberlain fabriqués depuis 1993. Compatible avec MyQ®. Avec porte-clés.

8810CB



**Rallonge de rail de 3 m (10 pieds) :**

Pour permettre à une porte de 3 m (10 pieds) de s'ouvrir complètement.

CLLP1



**Dispositif laser d'assistance au stationnement :**

Garez-vous au bon endroit à tous les coups! Un faisceau laser est activé par votre ouvre-porte de garage et est projeté sur le tableau de bord de votre véhicule pour vous permettre de vous garer parfaitement.

940EVC



**Clavier sans fil :**

Pour une utilisation à l'extérieur de la maison vous permettant d'activer l'accès au garage à l'aide d'un NIP à quatre chiffres. Fonctionne avec TOUS les ouvre-porte Chamberlain fabriqués depuis 1993. Compatible avec MyQ®.

41A6357-1



**Pile de système de secours :**

Remettez l'ouvre-porte de garage sous tension (s'il y a lieu).

953ESTD



**Télécommande :**

Fonctionne avec TOUS les ouvre-porte Chamberlain fabriqués depuis 1993. Compatible avec MyQ®. Comprend l'agrafe de paresoleil.

041A7327-1



**Panneau de commande de détecteur de mouvement :**

Commande de porte multifonction avec détecteur de mouvement qui allume automatiquement l'éclairage lorsqu'il détecte une personne pénétrant dans le garage. Compatible avec Security+ 2.0®.

41A7305-1



**Smart Control Panel®:**

Affiche la température, l'heure et le diagnostic du système; comprend une barre-poussoir pour ouvrir et fermer la porte et une fonction de verrouillage pour assurer une meilleure sécurité. Compatible avec Security+ 2.0®.

## Accessoires MyQ®

Vous pouvez programmer jusqu'à dix accessoires MyQ® à votre compte MyQ®.

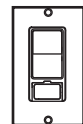
PILCEV



**Télécommande d'éclairage MyQ® :**

Surveillez et actionnez cette prise d'éclairage avec l'application MyQ® pour téléphone intelligent.

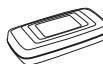
WSLCEV



**Interrupteur d'éclairage intérieur/extérieur MyQ® :**

Surveillez et actionnez cet interrupteur d'éclairage avec l'application MyQ® pour téléphone intelligent.

CIGBU



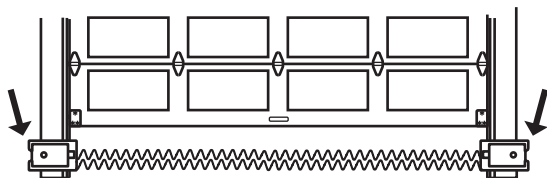
**Passerelle Internet de MyQ® :**

Se branche dans le routeur de votre maison pour offrir la commande MyQ® par téléphone intelligent de votre ouvre-porte de garage et la commande MyQ® de l'éclairage. Offre un signal sans fil de plus grande portée que le signal Wi-Fi standard.

# Garantie

## ARRÊTER!

Cet ouvre-porte de garage **NE** fonctionnera **PAS** si les détecteurs inverseurs de sécurité ne sont pas correctement installés et alignés.



## Coordonnées

Pour des renseignements sur l'installation et l'entretien :

[www.chamberlain.com](http://www.chamberlain.com)

1-800-528-9131

Avant d'appeler, veuillez vous assurer de disposer du numéro de modèle de l'ouvre-porte de garage. En cas d'appel au sujet d'un dépannage, il est recommandé d'avoir accès à votre ouvre-porte de garage tout en appelant. Pour commander une pièce de réparation, prière d'avoir les renseignements suivants : numéro de pièce, nom de la pièce et numéro de modèle.

## GARANTIE LIMITÉE CHAMBERLAIN

The Chamberlain Group Inc. (« le Vendeur ») garantit à l'acheteur au détail initial de ce produit pour la résidence dans laquelle ce produit est originalement installé, que ce dernier est exempt de tout défaut matériel ou de fabrication pour une période de temps précisée ci-dessous (la « Période de garantie »). La période de garantie commence à la date d'achat.

PÉRIODE DE GARANTIE			
Pièces	Moteur	Accessoires	Courroie
1 an	10 ans	1 an	5 ans

Le bon fonctionnement de ce produit dépend de la conformité de l'utilisateur aux instructions relatives à l'installation, au fonctionnement, à l'entretien et aux tests. Tout défaut de se conformer strictement à ces instructions annulera la présente garantie limitée dans son intégralité.

Si, pendant la période de garantie limitée, ce produit semble présenter un défaut couvert par cette garantie limitée, prière d'appeler sans frais au 1-800-528-9131 avant de désassembler ce produit. Des instructions de démontage et d'expédition seront fournies lors de votre appel. Le produit ou la pièce doit ensuite être envoyé à notre centre de réparation sous garantie, conformément aux instructions reçues, frais d'affranchissement et d'assurance prépayés. Une brève description du problème et une preuve d'achat datée devront accompagner tout produit retourné pour une réparation sous garantie. Les produits retournés au vendeur pour une réparation couverte sous garantie qui, après réception par le vendeur, sont confirmés comme étant défectueux et couverts par la présente garantie limitée, seront réparés ou remplacés (à la discrétion du Vendeur) sans frais et retournés port payé. Les pièces défectueuses seront réparées ou remplacées par des pièces neuves ou réusinées, à la seule discrétion du Vendeur. [Les frais engagés pour le retrait et/ou la réinstallation du produit ou de tout composant incombent à l'acheteur].

**TOUTE GARANTIE IMPLICITE POUR CE PRODUIT, Y COMPRIS, MAIS DE FAÇON NON LIMITATIVE, TOUTE GARANTIE IMPLICITE DE QUALITÉ MARCHANDE ET D'ADÉQUATION À UN USAGE PARTICULIER, SE LIMITE À LA DURÉE DE LA PÉRIODE DE GARANTIE LIMITÉE APPLICABLE STIPULÉE CI-DESSUS POUR LES COMPOSANTS CONCERNÉS; AUCUNE GARANTIE IMPLICITE N'EXISTERA OU NE S'APPLIQUERA APRÈS UNE TELLE PÉRIODE.** Certains États et provinces ne permettent pas les limitations de la durée des garanties implicites, auquel cas la limitation précitée pourrait ne pas s'appliquer à l'Acheteur. **LA PRÉSENTE GARANTIE LIMITÉE NE COUVRE PAS LES DOMMAGES QUI NE SONT PAS DUS À UN DÉFAUT, CEUX CAUSÉS PAR UNE MAUVAISE INSTALLATION, UNE OPÉRATION OU UN ENTRETIEN INADÉQUATS (INCLUANT, NOTAMMENT, LES AVARIES DUES À UN MAUVAIS TRAITEMENT, UN USAGE INAPPROPRIÉ, L'ABSENCE D'ENTRETIEN RAISONNABLE ET NÉCESSAIRE, LES RÉPARATIONS NON AUTORISÉES OU TOUTE MODIFICATION À CE PRODUIT), LES FRAIS DE MAIN-D'ŒUVRE POUR LA RÉINSTALLATION D'UNE UNITÉ RÉPARÉE OU REMPLACÉE OU LE REMPLACEMENT DES CONSOMMABLES (P. EX. LES PILES D'ÉMETTEURS À TÉLÉCOMMANDE ET AMPOULES DE LAMPE) OU LES UNITÉS INSTALLÉES À USAGE NON RÉSIDENTIEL. LA PRÉSENTE GARANTIE LIMITÉE NE COUVRE PAS LES PROBLÈMES RELATIFS OU CONNEXES À LA PORTE DU GARAGE OU À LA QUINCAILLERIE DE LA PORTE DU GARAGE, NOTAMMENT LES RESSORTS DE LA PORTE, LES GALETS DE PORTE, L'ALIGNEMENT DE LA PORTE OU LES CHARNIÈRES. LA PRÉSENTE GARANTIE LIMITÉE NE COUVRE PAS NON PLUS LES PROBLÈMES CAUSÉS PAR LES INTERFÉRENCES. LE VENDEUR NE SERA EN AUCUN CAS TENU RESPONSABLE DES DOMMAGES-INTÉRÊTS PARTICULIERS OU INDIRECTS RÉSULTANT DE L'UTILISATION OU DE L'INAPTITUDE À UTILISER CE PRODUIT CORRECTEMENT. EN AUCUN CAS, LA RESPONSABILITÉ DU VENDEUR POUR BRIS DE GARANTIE, RUPTURE DE CONTRAT, NÉGLIGENCE OU RESPONSABILITÉ STRICTE N'EXCÉDERA LE COÛT DU PRODUIT COUVERT AUX PRÉSENTES. NUL N'EST AUTORISÉ À ASSUMER POUR NOUS D'AUTRES RESPONSABILITÉS RELATIVEMENT À LA VENTE DE CE PRODUIT.** Certains États et provinces n'acceptant pas l'exclusion ou les restrictions relatives aux dommages spéciaux ou indirects, les restrictions ou exclusions figurant dans la présente garantie pourraient ne pas s'appliquer à l'Acheteur. Certains droits légaux particuliers sont conférés à l'Acheteur en vertu de cette garantie et celui-ci pourrait avoir d'autres droits qui varient selon l'État ou la province dans lequel ou laquelle réside l'Acheteur.

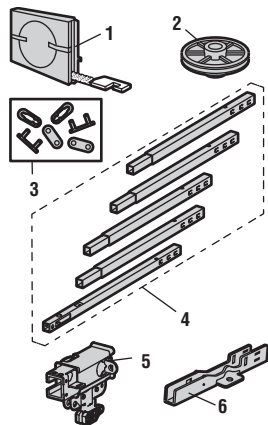
# Pièces de réparation

## Pièces d'assemblage du rail

Description	Numéro de la pièce
1 Courroie	041A5250
2 Poulie	144C54
3 Maillon principal	4A1008
4 Rail	041A5665
5 Chariot complet	041C5141-2
6 Support en « U »	041D0598-1

### Non illustrés

Coussinets d'usure	183A163
Sac de visserie	041A7920-2

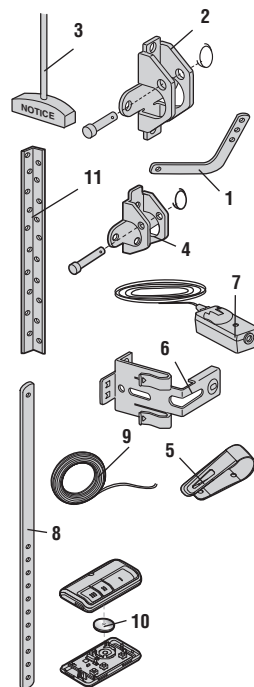


## Pièces pour la pose

Description	Numéro de la pièce
1 Bielle courbée	178B35
2 Support de porte avec axe de chape et fixation	41A5047-1
3 Poignée et corde de déclenchement d'urgence	41A2828
4 Support de porte avec axe de chape et fixation	41A5047-2
5 Pince de pare-soleil pour télécommande	29B137
6 Support de capteur d'inversion de sécurité	041A5266-3
7 Capteur d'inversion de sécurité (capteurs réceptrice et émettrice) avec fil	41A5034
8 Bras de porte rectiligne	178B34
9 Fils blanc et rouge-blanc	41B4494-1
10 Pile au Lithium 3V CR2032	10A20
11 Supports de suspension	12B776

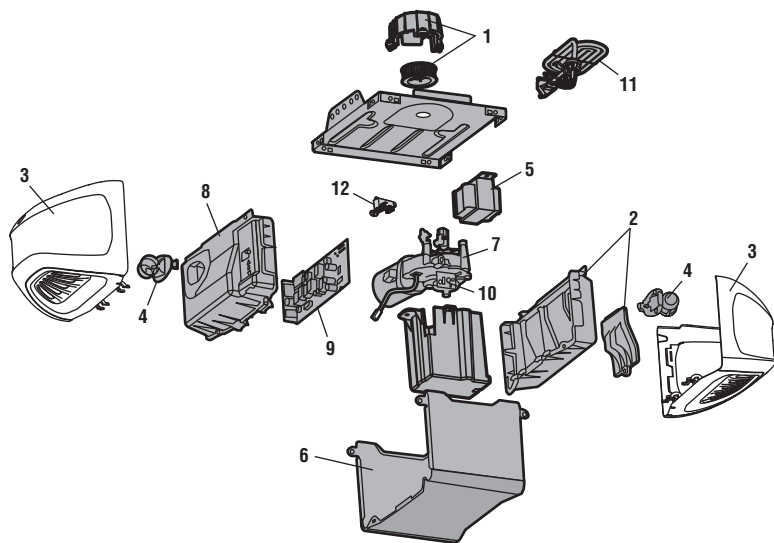
### Non illustrés

Manuel d'instructions	114A5038
-----------------------	----------



# Pièces de réparation

## Pièces de l'ouvre-porte de garage



Description	Numéro de la pièce
1 Pignon et carter de pignon avec vis	041C0589-2
2 Panneau d'extrémité avec douille d'ampoule	041D7639
3 Diffuseur	041D7572
4 Douille d'ampoule	041C0279
5 Transformateur	041A7635
6 Couverture	041D8810
7 Moteur et module de déplacement	041D8006-1
8 Panneau d'extrémité du carte logique du récepteur avec douille d'ampoule	041D7368
9 Carte logique du récepteur	045DCT
10 Module de déplacement	041D8071-4
11 Cordon électrique	041B4245-1
12 Bornier à vis	041A3150
<b>Non illustrés</b>	
Faisceau de câblage avec vis	041B7610-1

