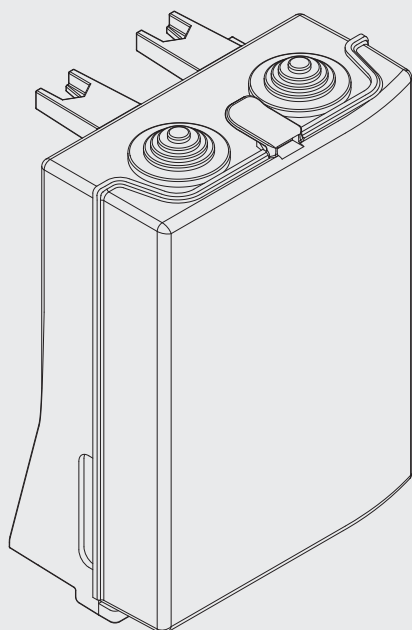
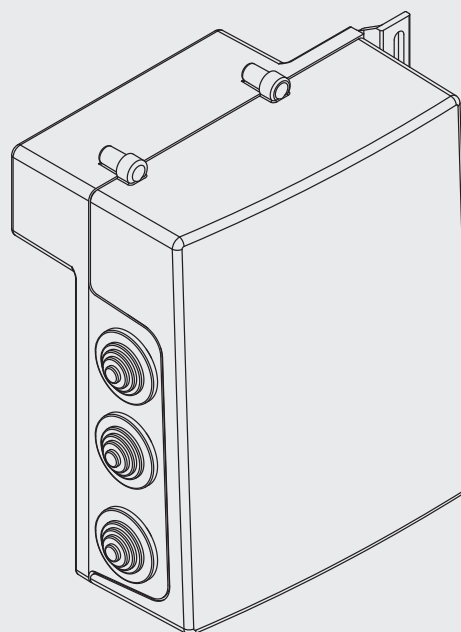


CP.B24ESA CP.B1024ESA



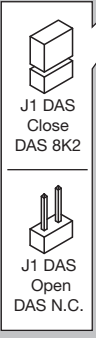
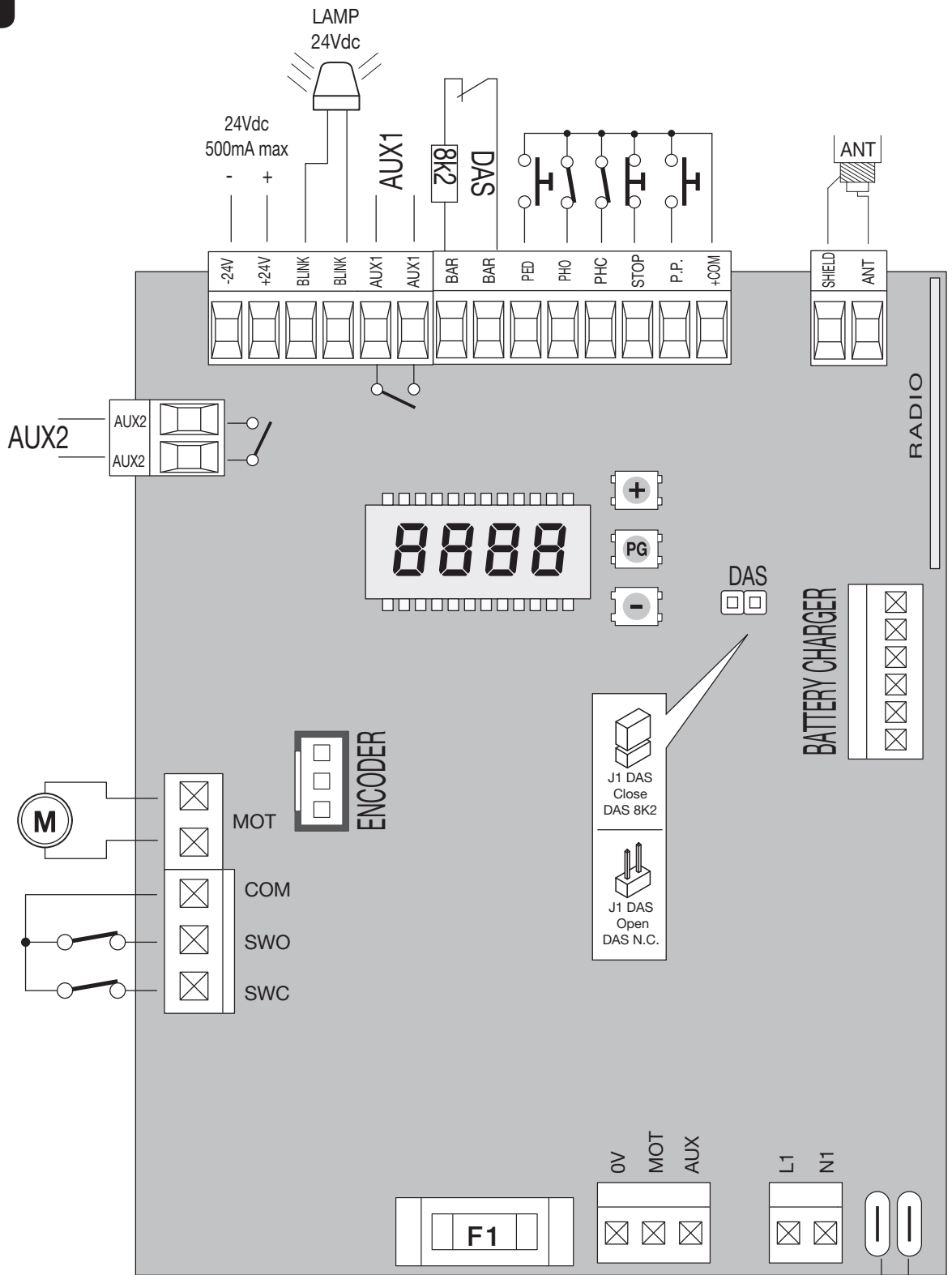
CP.B24ESA



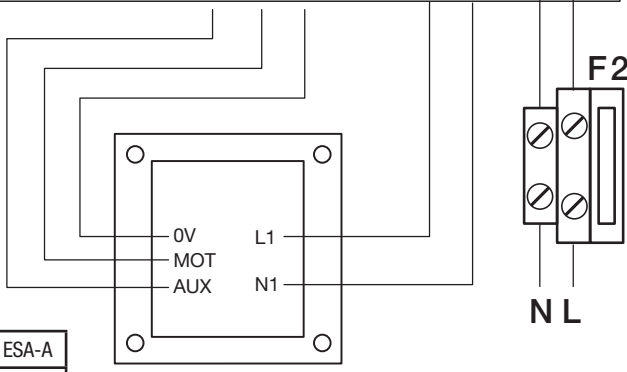
CP.B1024ESA

BENINCA[®]
TECHNOLOGY TO OPEN





	CP.B24 ESA	CP.B1024 ESA	CP.B24 ESA-A	CP.B1024 ESA-A
F1	T2A			
F2	T1A	T2A	T2A	T4A

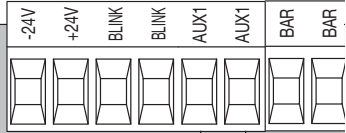


2

SCA

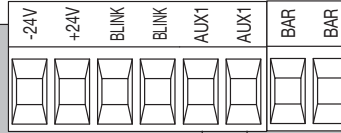
RUH 1:0

24Vac
500mA max
SCA 24Vac
3W max



II°CH RADIO

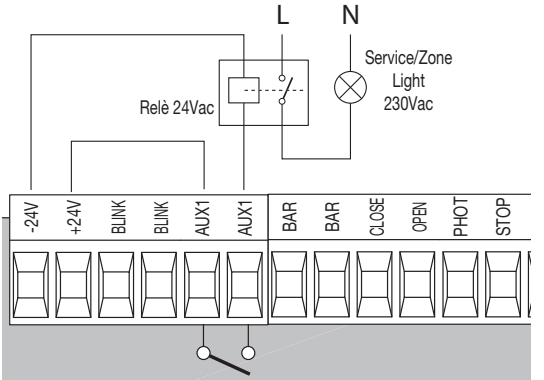
RUH 1:1



SERVICE/ZONE LIGHT

Service Light RUH 1:2

Zone Light RUH 1:3

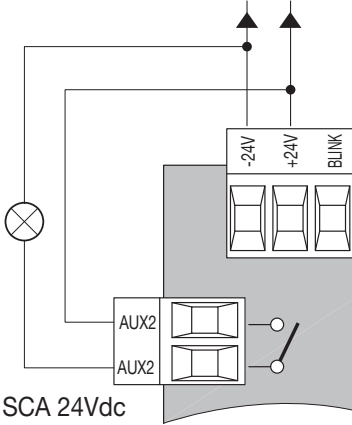


3

SCA

RUH2:0

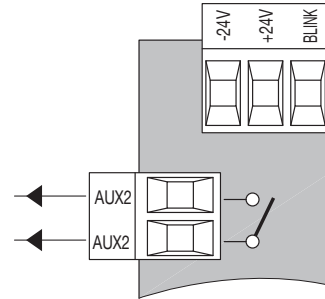
24Vdc
1A max



SCA 24Vdc
3W max

II°CH RADIO

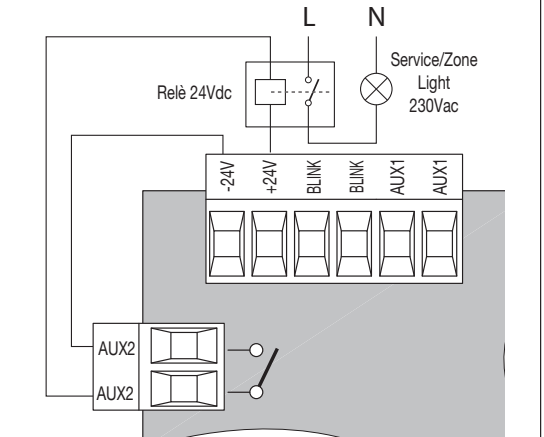
RUH2:1



SERVICE/ZONE LIGHT

Service Light RUH2:2

Zone Light RUH2:3



4

Inv: on

OPEN →

Inv: off

← OPEN

EC Declaration of Conformity

Pursuant to Directives 2004/108/CE(EMC); 2006/95/CE(LVD)

Manufacturer:

Automatismi Benincà SpA.

Address:

Via Capitello, 45 - 36066 Sandrigo (VI) – Italy

It is hereby stated that the item:

Control unit for 1 24VDC for sliding gates:CP.B24ESA /CP.B1024ESA

it is compliant with provisions of the following other EC Directives:

• **DIRECTIVE 2004/108/EC OF THE EUROPEAN PARLIAMENT AND OF THE COUNCIL** of 15 December 2004, on the harmonisation of the laws of Member States relating to electromagnetic compatibility and which cancels Directive 89/336/EEC, according to the following harmonised regulations:

EN 61000-6-2:2005, EN 61000-6-3:2007.

• **DIRECTIVE 2006/95/EC OF THE EUROPEAN PARLIAMENT AND OF THE COUNCIL** of 12 December 2006, on the harmonisation of the laws of Member States relating to electrical equipment designed for use with certain voltage limits, according to the following harmonised regulations:

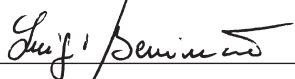
EN 60335-1:2002 + A1:2004 + A11:2004 + A12:2006 + A2:2006 + A13:2008; EN 60335-2-103:2003.

if applicable:

• **DIRECTIVE 1999/5/EC OF THE EUROPEAN PARLIAMENT AND OF THE COUNCIL** of 9 March 1999 on radio equipment and telecommunications terminal equipment and the mutual recognition of their conformity, according to the following harmonised standards: ETSI EN 301 489-3 V1.4.1 (2002) + ETSI EN 301 489-1 V1.4.1 (2002) + ETSI EN 300 220-3 V1.1.1 (2000) + EN 60950-1 (2001)

Benincà Luigi, Legal Officer.

Sandrigo, 05/07/2011.



WARNINGS

This manual has been especially written to be use by qualified fitters.

None of the information provide in this manual can be considered as being of interest for the end users.

Preserve this manual for future needs.

The technician has to furnish all the information related to the step by step function, the manual and the emergency function of the operator, and to deliver the manual to the final user.



Foresee on the supply net an onnipolar switch or selector with distance of the contacts equal or superior to 3 mms.

Verify that of the electrical system there is an awry differential interrupter and overcurrent protection.

Some typologies of installation require the connection of the shutter to be link at a conductive mass of the ground according to the regulations in force.

The electrical installation and the operating logic must comply with the regulations in force.

The leads fed with different voltages must be physically separate, or they must be suitably insulated with additional insulation of at least 1 mm.

The leads must be secured with an additional fixture near the terminals.

During installation, maintenance and repair, interrupt the power supply before opening the lid to access the electrical parts

Check all the connections again before switching on the power.

The unused N.C. inputs must be bridged.

The descriptions and the present illustrations in this manual are not binding. Leaving the essential characteristics of the product unchanged, the manufacturer reserves himself the right to bring any change of technical, constructive or commercial character without undertaking himself to update the present publication.

TECHNICAL DATA

Control unit power supply	24 Vdc
Power supply	230 Vac 50/60 Hz or 115Vac 50/60Hz according to the version
Output	1 motor 24Vdc
Maximum current:	CP.B24ESA: 2.8 A - CP.B1024ESA: 3.5 A
Accessories power supply	24Vdc 500mA max.
Protection level	CP.B24ESA:IP30 - CP.B1024ESA:IP20
Operating temp.	-20°C / +50°C
Radio receiver	built in 433.92 MHz configurable (rolling-code or programmable + rolling-code+ ARC Advanced Rolling Code)
Memory capacity	64 rolling-code transmitters

CONTROL PANEL CP.B24 ESA / CP.B1024 ESA

WIRE DIAGRAM

Wire connections shown in Fig. 1 are described hereunder:

Terminals	Function	Description
L/N	Power supply	Input, 230VAC 50/60 Hz (L-Phase/N-Neutral) CP:B24ESA/CP-B1024ESA Input, 115VAC 50/60 Hz (L-Phase/N-Neutral) CP:B24ESA/CP-B1024ESA-A
L1/N1	Primary Transformer	Connector for the connection of the primary transformer L1: Line N1: Neutral
0V/MOT/AUX	Secondary Transformer	Connector for the connection of the secondary transformer CP.B24ESA: 0V: 0V Input - MOT:23 VAC - AUX:18 VAC CP.B1024ESA: 0V: 0V Input - MOT:30 VAC - AUX:18 VAC
MOT	Motor	Fast connector for motor connection
ENC	Encoder	Fast connector for encoder connection
COM SWO SWC	Limit Switches	Rapid connector for the connection of limit switches. COM:Common for limit switches SWO:Input, OPEN limit switch (N.C. contact) SWC:Input, CLOSE limit switch (N.C. contact)
BAR/BAR	SAFETY EDGE	Input: sensitive safety edge 8K2 resistive safety edge: closed "DAS" jumper Mechanical safety edge: open "DAS" jumper When the safety edge is activated, the gate leaf stops and its movement is reversed for around 3 seconds.
PED	PEDESTRIAN	Pedestrian push-button input (N.O. contact). The gate partial opening is controlled according to the value preset by the TPED parameter. It is activated only with totally closed gate. With OPCL:ON or HTR:ON, it becomes "CLOSE" input.
PHO	Open Photocell	Input, photocell activated in both opening and closing phases
PHC	Photocell	Input, photocell is activated in the closing phase.
STOP	STOP	STOP button input (N.C. contact)
P.P.	Step by step	Input, Step-by-Step push-button (Normally Open contact) If the logics is OPCL=ON or HTR=ON, the OPEN input function is provided. If the logics HTR is ON, it is FORBIDDEN to use the input with timers or other similar systems.
+COM	COMMON	Common for all control inputs.

SHIELD/ANT	antenna	Connection antenna to the built-in receiver SHIELD: Screen / ANT: Signal
+ 24V -	24 Vdcs	Accessories power supply 24Vdc/500mA max.
BLINK	Flashing	Connection to flashing light 24Vdc 15W max.
AUX1	AUX1	Normally open (N.O.), clean contact, which is configurable like SCA (open gate indicator light) through parameter AUX1, second radio channel, courtesy or area light (see Parameter AUX 1).
AUX2	AUX2	Normally open (N.O.), clean contact, which is configurable like SCA (open gate indicator light) through parameter AUX2, second radio channel, courtesy or area light (see Parameter AUX 2).

RUN SELF-LEARNING AND ANTI-CRUSHING DEVICE SETTING

After carrying out the wire connections of the automatic system and programming all functions required, it is **MANDATORY** to carry out the self-learning of dimensions and the calibration of intervention thresholds of the anti-crash device (amperometrics).

Access the AUTO menu and press the <PG> push-button.

The wording PUSH is displayed.

Press the push-button <PG> again and self-calibration will start: the wording PRG is displayed while at least 2 complete operations are carried out.

At the end of procedure, OK will be displayed.

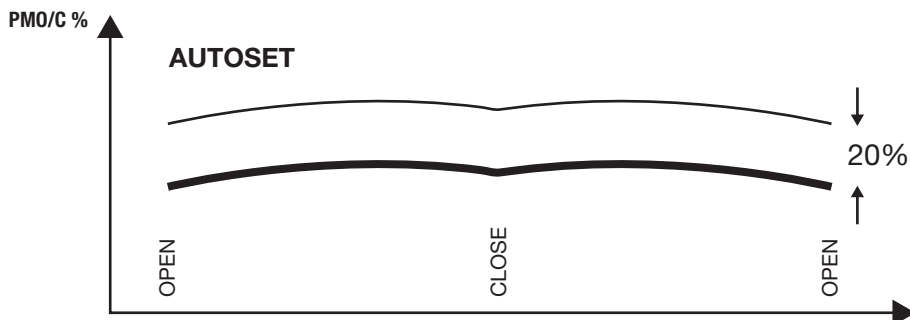
The procedure can be carried out from any position of the gate leaf and can be interrupted at any moment by pressing the <+> and <-> keys at the same moment, or with the triggering of STOP/PHO/PHC/DAS/OPEN/CLOSE inputs.

At the end of self-setting, the PMO and PMC parameters, if previously modified, are shown as default values. If the procedure is not successful, the wording ERR appears. Check that no obstacles or frictions are present.

*CAUTION!:

The torque value also includes changes in the resistance of the door during movement.

The entire stroke is divided in 64 opening points and 64 closing points where the optimal operating torque is read and memorised by the control unit. The PMO and PMC parameters are an offset figure with respect to calculations made by the control unit.



The default value at 20% is normally enough to avoid false interventions. In any case, if PMO and PMC should be modified, the impact tests set out by regulations in force will have to be carried out.

PROGRAMMING

The programming of the various functions of the control unit is carried out using the LCD display on the control unit and setting the desired values in the programming menus described below.

The parameters menu allows you to assign a numerical value to a function, in the same way as a regulating trimmer.

The logic menu allows you to activate or deactivate a function, in the same way as setting a dip-switch.

Other special functions follow the parameters and logic menus and may vary depending on the type of control unit or the software release.

USE OF PROGRAMMING KEYS

Press <PG> key to gain access to the Main Menu (PAR>>LOG>>RADIO>>...). These keys can be selected by pressing + and - keys.

Select the Main menu with <PG> key to enter the desired Function Menu .

- If <+> is pressed, the Function Menu can be scrolled from top to bottom.
- If <-> is pressed, the Function Menu can be scrolled from bottom to top.
- If <PG> key is pressed, presetting to be modified can be entered.
- The preset values can be modified by using <+> and <-> keys.
- The value is programmed if <PG> key is pressed again. The word "PRG" appears on the display.

NOTES:

Simultaneously pressing <+> and <-> from inside a function menu allows you to return to the previous menu without making any changes.

Hold down the <+> key or the <-> key to accelerate the increase/decrease of the values.

After waiting 30s the control unit quits programming mode and switches off the display.

Pressing <-> with the display turned off means an impulse of P.P.

PARAMETERS, LOGIC AND SPECIAL FUNCTIONS

In the charts following the single available functions are described in the plant.

PARAMETERS (PRr)			
MENU	FUNCTION	MIN-MAX-(Default)	MEMO
tCR	Automatic closure time. It is enabled only with "TCA"=ON logic. At the end of the preset time, the control unit controls a closure operation.	1-240-(40s)	
tPEd	The stroke time of the gate leaf is adjusted during the partial opening phase controlled by the pedestrian input.	5-100-(20%)	
tSN	Braking is adjusted. The value is expressed in percentage on the aggregate value of the stroke.	0-100-(20%)	
FStS	The opening and closing speed is adjusted.	20-99-(70)	
SLdS	Speed during braking is adjusted.	20-99-(50)	
PnO	Adjustment of amperometric sensor sensitivity in opening* 1: maximum sensibility - 99**: minimum sensibility	1-99-(20%)	
PnC	Adjustment of amperometric sensor sensitivity in closing* 1: maximum sensibility - 99**: minim sensibility	1-99-(20%)	
tLS	It is activated only with AUX1 or AUX2 parameter preset on value 2. The activation time of the service light is adjusted.	1-240-(60s)	
AUX 1	It selects the operating mode of the AUX 1 output: 0: Open gate indicator light. The light is off when the door is closed, flashes with moving door and is on with open door. See wire diagram. 1: Second radio channel. The output is controlled by the radio channel of the built-in receiver (see RADIO Menu). 2: Service light. The contact closes for the time preset with TLS parameter. The countdown starts at the inception of operation. 3: Area light. The contact closes in the opening phase and remains closed for the entire TCA time. It opens only with closed door. See wire diagram, Fig. 2.	0-3-(0)	
AUX 2	The same operating options as AUX1 output, but referred to AUX2 terminals. See connections in Fig. 3.	0-3-(1)	

*** ATTENTION: A wrong formulation of these parameters can be dangerous.**

Respect the regulations in force!

** By presetting the value at 99 before carrying out the Autotest, the control unit does perform the calculation of the torque, as indicated in paragraph "LEARNING OF VALUES", and the amperometric sensor is disabled.

LOGICS (LoG i)			
MENU	FUNCTION	DEAFULT	MEMO
tCR	Enables or disables automatic closing On: automatic closing enabled Off: automatic closing disabled	(ON)	
ibL	Enables or disables multi-flat function. On: multi-flat function enabled. The step-by-step and perdestrian commands have no effect during the opening phase. Off: multi-flat function disabled.	(OFF)	
ibcR	During the TCA phase, the PP controls are enabled or disabled. On: PP controls are disabled. Off: PP controls are enabled.	(OFF)	

SCL	The rapid closure is enabled or disabled. It can be activated only if TCA:ON On: enabled rapid closure. With open gate, the photocell activation causes the automatic closure after 3 s. If the photocell is activated during the opening phase, the operation is completed and closure starts after 3s Off: disabled rapid closure.	(OFF)	
PP	The operating mode of “P.P. Push button” and of the transmitter are selected. On: Operation : OPEN > CLOSE > OPEN > Off: Operation: OPEN > STOP > CLOSE > STOP >	(OFF)	
PrE	Forewarning flashing light enabled or disabled. On: enabled forewarning flashing light. The flashing light is activated 3 s before the starting of the motor. Off: disabled forewarning flashing light.	(OFF)	
htr	The Service Man function is enabled or disabled. (The OPCL logics is automatically enabled). On: Service Man operation. The Step-by-Step input becomes OPEN input, the PED input becomes CLOSE input. If the OPEN and CLOSE keys are pressed at the same time, the system will STOP. The OPEN/CLOSE push buttons should be kept pressed for the entire operating time. Off: Automatic operation.	(OFF)	
LtAR	During the TCA time, the blinker is enabled or disabled. On: Enables blinker. Off: Disables blinker.	(OFF)	
cuAr	The code programmable transmitters is enabled or disabled. On: Radio receiver enabled only for rolling-code transmitters. Off: Receiver enabled for rolling-code and programmable code transmitters (self-learning and Dip Switch).	(OFF)	
Soft	Soft start is enabled or disabled. On: Starting is performed at reduced speed and then movement is restored to normal speed. Off: Soft start is disabled.	(ON)	
oPCL	PP input as OPEN and PED input as CLOSED are enabled or disabled. On: PP input is enabled as OPEN and PED input is enabled as CLOSED. Off: PP and PED inputs are enabled with their function.	(OFF)	
tSt 1	The checks on the photocell connected to PHO input are activated or deactivated. Before carrying out the closing operation, the control unit checks that the photocell contact has switched (this function is activated only with ESA:ON). In the negative, the operation will not start. On: check on photocells is activated Off: check on photocells is deactivated	(OFF)	
tSt 2	Checking on the photocell connected to PHC input is activated or deactivated. Before carrying out the closing operation, the control unit checks that the photocell contact has switched (this function is activated only with ESA:ON). In the negative, the operation will not start. On: checking on photocells is activated Off: checking on photocells is deactivated	(OFF)	
n Inu	Select the opening direction of the motor (see Fig. 4): On: Right side motor mount Off: Left side motor mount If this logics is modified, this SELFTESTING will have to be repeated.	(OFF)	

<i>ESA</i>	The ESA" energy savings function is activated or deactivated. On: After completion of the opening or closing operations, the control unit switches to the energy saving mode, while reducing current consumption to the minimum and cutting off power from the transformed and the accessory outputs. Note: The ESA function does not activate if: - the battery recharge module is being recharged - the AUX2 logics is on 0 and the gate leaf is open. - during activation the service light if AUX2 is on 2. Off: disabled energy savings. This is to be used should the accessory power supply output is to be always activated, e.g. if keypads powered at 24VDC or other devices that need to be always powered, are used.	(ON)	
<i>rEn</i>	The remote storage of the radio transmitter codes is enabled or disabled (see par. REMOTE LEARNING). On: Enabled remote storage Off: Disabled remote storage.	(ON)	
<i>tStn</i>	The motor checks are enabled or disabled. On: Checks are enabled. If the checks are not successful, the door/gate will not move. Off: Disabled check.	(ON)	
<i>Enc</i>	The Encoder is enabled or disabled. On: the encoder is enabled. Off: the encoder is disabled. Timed operation, self-learning and self-setting are not available. If this logics is activated after being disabled, a new SELFTEST should be carried out.	(ON)	

RADIO (*rRd*)

MENU	FUNCTION
<i>PP</i>	By selecting this function, the receiver is waiting for (Push) a transmitter code to be assigned to the step-by-step function. Press the transmitter key, which is to be assigned to this function. If the code is valid, it will be stored in memory and OK will be displayed. If the code is not valid, the Err message will be displayed.
<i>2ch</i>	By selecting this function, the receiver is waiting for (Push) a transmitter code to be assigned to the second radio channel. Press the transmitter key, which is to be assigned to this function. If the code is valid, it will be stored in memory and OK will be displayed. If the code is not valid, the Err message will be displayed.
<i>PEd</i>	When this function is selected, the receiver awaits (Push) a transmitter code to be assigned to the PED function. Press the transmitter key, which is to be assigned to this function. If the code is valid, it will be stored in memory and OK will be displayed. If the code is not valid, the Err message will be displayed.
<i>cLr</i>	By selecting this function, the receiver is waiting for (Push) a transmitter code to be erased from memory. If the code is valid, it will be stored in memory and OK will be displayed. If the code is not valid, the Err message will be displayed.
<i>rEr</i>	The memory of the receiver is entirely erased. Confirmation for the operation is asked.

Note: Transmitters ARC and Rolling-code/Fixed code cannot be stored in memory at the same time. For example, if the first transmitter stored in memory is ARC, the following transmitters could be only ARC. Use the RTC function to completely erase the memory should the type of transmitters be changed.

NUMBER OF CYCLES (*nRn*)

The number of cycles (open+close) completed by the system is displayed.
When the push-button <PG> is pressed once, the first 4 digits are displayed, if the push-button is pressed once more, the last 4 digits are displayed.
E.g. <PG> 0012 >>> <PG> 3456: 123.456 cycles were performed.

MAINTENANCE (MRC t)

This function allows to activate the indication of maintenance required after a certain number of operations, preset by the installer.

To activate and select the number of operations, proceed as follows:

Press the <PG> button, OFF is displayed, indicating that the function is disabled (default).

Select one of the numbers shown (from OFF to 100) by using the <+> and <-> keys . The figures express the value of hundreds of cycles (e.g.: the number 50 means 5000 operations).

Press OK to activate the function. The PROG message is displayed.

When the flashing light flashes for around 10 sec at end of operation, this means that maintenance operations are needed.

RESET (rE5)

RESET of the control unit. WARNING: Returns the control unit to the default values.

When the <PG> push-button is pressed once, the RES wording begins to flash, if the push-button<PG> is pressed once more, the control unit is reset.

Note: neither the transmitter codes nor the position and stroked of the gate leaf will be erased from the receiver.

AUTOSET (Aut a)

The self-calibration of the triggering thresholds of the anti-crash device (amperometric sensor), as well as the stroke learning are performed. See paragraph SELF-LEARNING

PASSWORD (codE)

It allows to type in an access protection code to the programming of the control unit.

A four-character alphanumeric code can be typed in by using the numbers from 0 to 9 and the letters A-B-C-D-E-F.

The default value is 0000 (four zeros) and shows the absence of a protection code.

While typing in the code, this operation can be cancelled at any moment by pressing keys + and – simultaneously. Once the password is typed in, it is possible to act on the control unit by entering and exiting the programming mode for around 10 minutes in order to allow adjustments and tests on functions.

By replacing the 0000 code with any other code, the protection of the control unit is enabled, thus preventing the access to any other menu. If a protection code is to be typed in, proceed as follows:

- select the Code menu and press OK.
- the code 0000 is shown, also in the case a protection code has been previously typed in.
- the value of the flashing character can be changed with keys + and -.
- press OK to confirm the flashing character, then confirm the following one.
- after typing in the 4 characters, a confirmation message “CONF” appears.
- after a few seconds, the code 0000 appears again
- the previously stored protection code must be reconfirmed in order to avoid any accidental typing in.

If the code corresponds to the previous one, a confirmation message “OK” appears.

The control unit automatically exits the programming phase. To gain access to the Menus again, the stored protection code must be typed in.

IMPORTANT: TAKE NOTE of the protection code and KEEP IT IN A SAFE PLACE for future maintenance operations.

To remove the code from a protected control unit, enter the programming mode with the password and reset the code to the 0000 default value.

IF YOU LOOSE THE CODE, PLEASE CONTACT THE AUTHORISED SERVICE CENTER FOR THE TOTAL RESET OF THE CONTROL UNIT.

ATTENTION:

After any LOGIC change or control panel reset, it is necessary to perform a self-learning procedure (Menu Auto - See Stroke self learning)

EMERGENCY BATTERY

An optional accessory to power the control unit is available in the event the mains power supply is cut off.

The kit is composed of a battery charger and two 12V rechargeable batteries, fixing brackets, screws and cables.

For further information, please refer to instructions supplied with the accessory.

TRANSMITTER REMOTE LEARNING

If the transmitter code is already stored in the receiver, the remote radio learning can be carried out (without accessing the control unit). The REM logics must be ON.

IMPORTANT: The procedure should be carried out with gate in the opening phase, during the TCA dwell time.

Proceed as follows:

- 1 Press the hidden key of the transmitter, the code of which has already been stored in memory.
- 2 Within 5 seconds, press the already memorised transmitter key corresponding to the channel to be matched to the new transmitter. The flashing light switches on.
- 3 Within 10 seconds, press the hidden key of the new transmitter.
- 4 Within 5 seconds, press the key of the new transmitter to be matched to the channel selected at item 2. The flashing light switches off.
- 5 The receiver stores the new transmitter code and exits from the programming mode immediately.

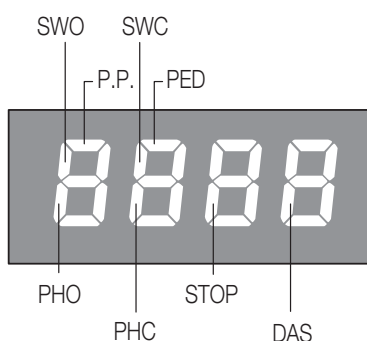
ERROR MESSAGES

Some messages that are displayed in the event of malfunctions are shown hereunder:

<i>Err</i>	Error, radiotransmitter self-adjustment or self-learning	If the error occurs during self-learning, check the STOP/PHOTO/PP/CLOSE inputs or whether frictions occur during the door leaf stroke. If the error occurs during self-learning of the radio-transmitters, this means that the memory of the receiver is no longer able to receive other transmitters or the transmitter is not compatible.
<i>Err 1</i>	Error, motor	Check connections to the motor
<i>Err 2</i>	Error, photocells	Check connections to photocells
<i>Err 5</i>	Error, encoder	Check connections to the encoder
<i>Err 7</i>	Error, sensitive safety edge	Check connections and the operation of the sensitive safety edge
<i>AMP</i>	Triggering of the amperometric sensor	An obstacle or a point of friction has caused the triggering of the amperometric sensor. Remove the obstacle or check the door stroke. Act on the PMO/PMC parameter, if required.
<i>Thr 1</i>	Triggering of the thermal switch	The control unit has switched the system to a rest status due to an excessive number of consecutive operations. If a sufficient cooling time has elapsed, the control unit is reset to normal operation. In the negative, a fault in the motor might have occurred, which requires the replacing of the motor.

DIAGNOSTICS

In the event of malfunctions, by pressing key + or - the status of all inputs (limit switches, control and safety) can be displayed. One segment of the display is linked to each input. In the event of failure it switches on according to the following scheme.



N.C. inputs are represented by the vertical segments. N.O. inputs are represented by the horizontal segments.

WASTE DISPOSAL

If the product must be dismantled, it must be disposed according to regulations in force regarding the differentiated waste disposal and the recycling of components (metals, plastics, electric cables, etc.). For this operation it is advisable to call your installer or a specialised company.