



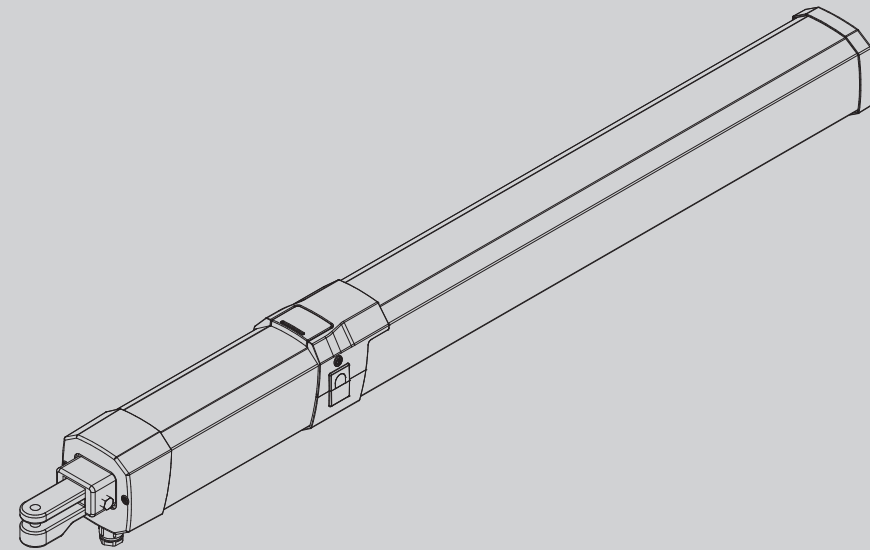
Ultra

D814076 0AA00_04 16-04-21

PISTON AUTOMATIONS FOR SWING GATES

INSTALLATION MANUAL

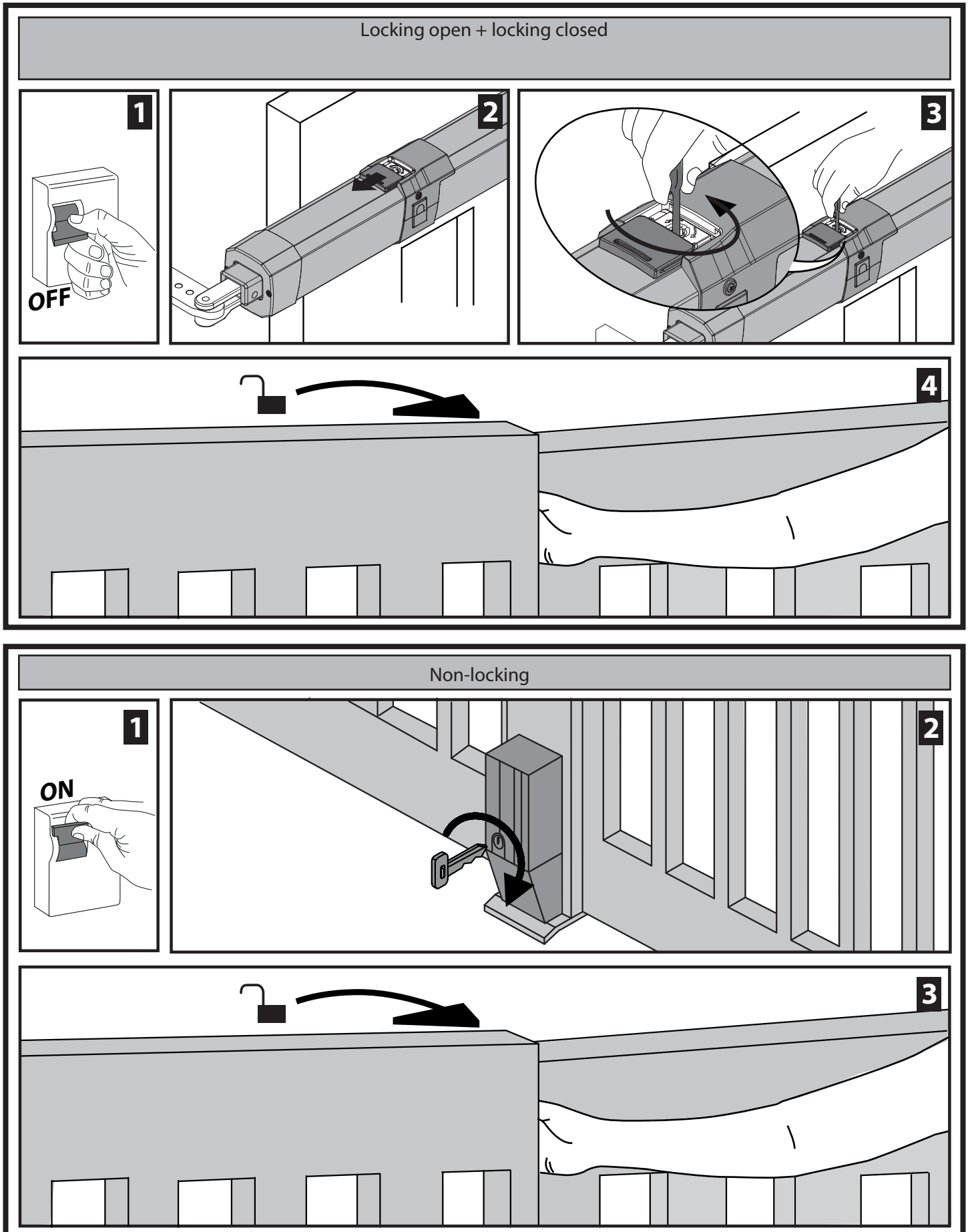
GIUNO ULTRA BT A20 GIUNO ULTRA BT A50



AZIENDA CON
SISTEMA DI GESTIONE
CERTIFICATO DA DNV GL
= ISO 9001 =
= ISO 14001 =

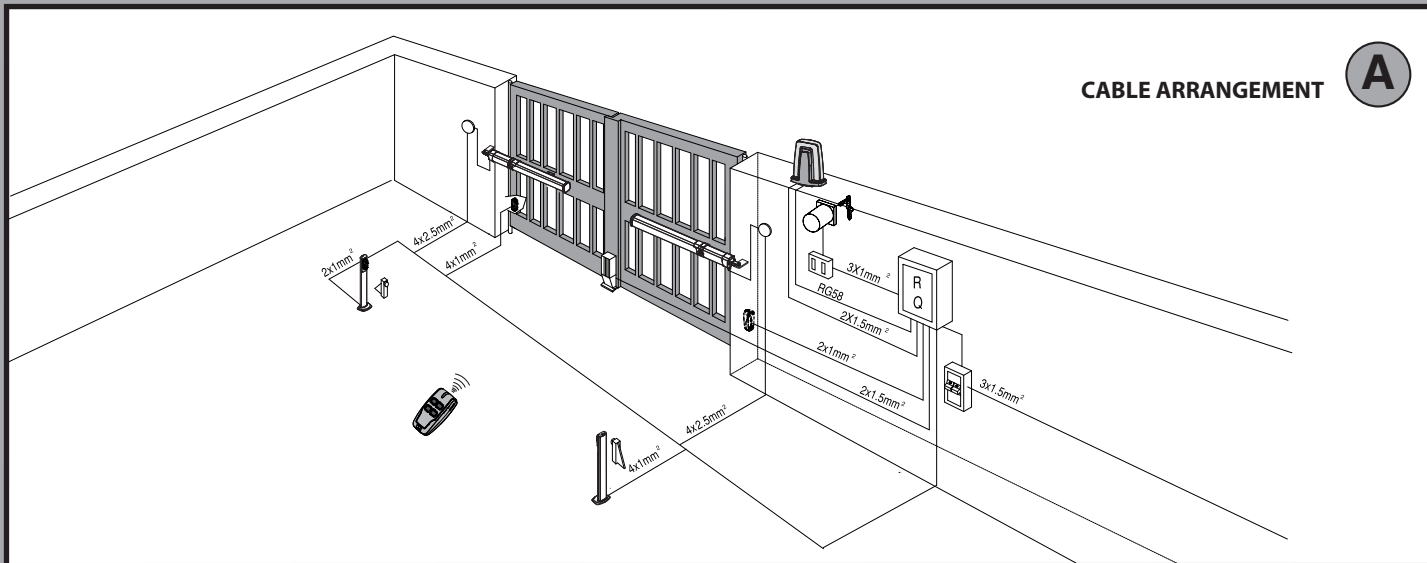
Caution! Read "Warnings" inside carefully!

FIG.1 ACTIVATING EMERGENCY RELEASE.



QUICK INSTALLATION

a) Before commencing installation, make sure you read the warnings. b) In addition to the figures, you must follow the instructions given in the INSTALLATION MANUAL.



CABLE ARRANGEMENT A

PILLAR FASTENINGS INSTALLATION DISTANCES.

B

GIUNO ULTRA BT A20										mm
b \ a	90	100	110	125	135	145	155	165	175	
90					110	104	98	95	91	
100					105	99	95	91	88	
110				108	100	95	91	88		
125				99	93	89	86			
135			99	93	89					
145		95	97	89						
155		95	91							
165	91	91	86							
175	91	85								α°

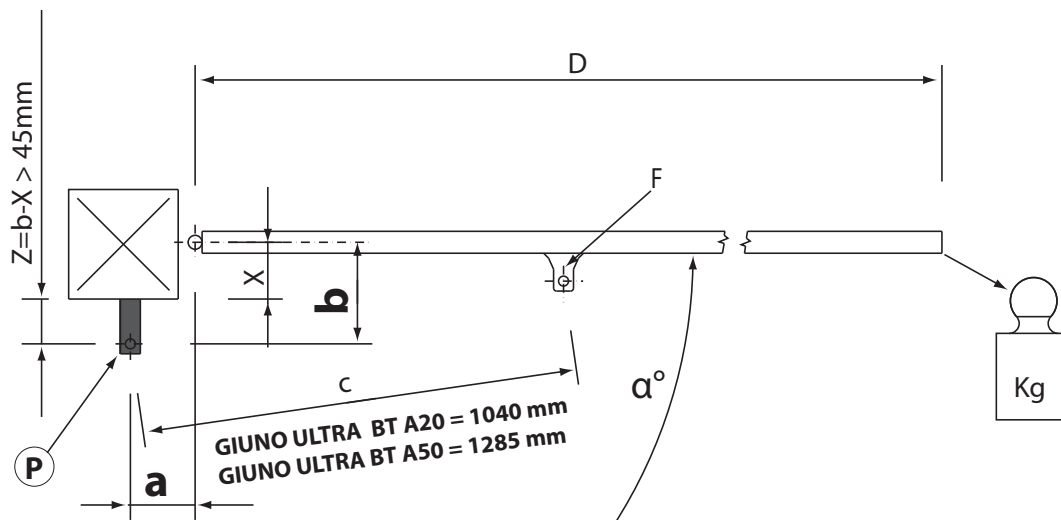
GIUNO ULTRA BT A50										mm
b \ a	115	135	155	175	195	215	235	255	275	
115				110	110	108	101	96	92	
135			106	106	110	102	96	92		
155		107	106	108	103	96	91	87		
175		103	107	106	96	91	86			
195		104	106	97	90	86				
215		101	99	90	85					
235	96	101	90	84						
255	95	89	83							
275	88									α°

Tables refer to an 80mm-thick gate.



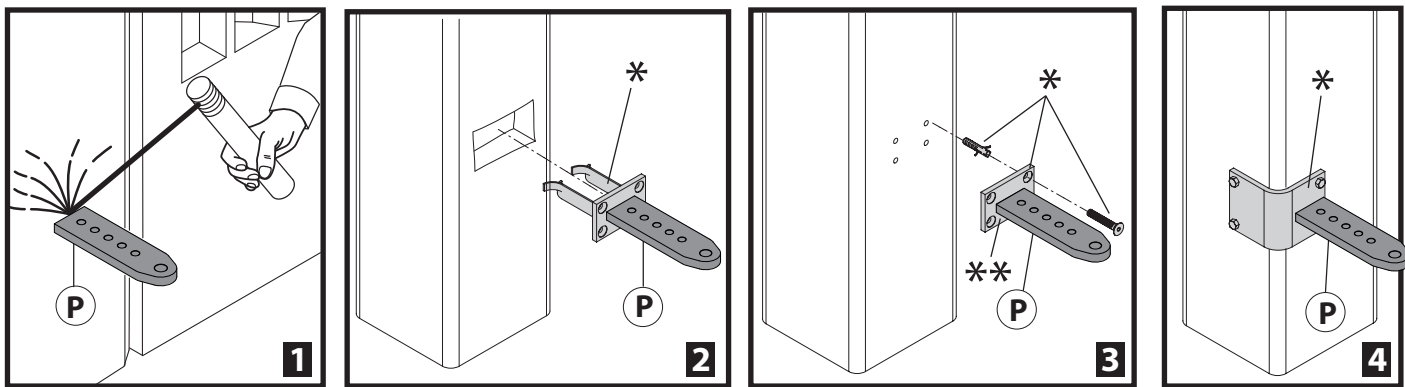
INSTALLATION DIAGRAM.

C



FASTENING OF FITTINGS TO PILLAR.

D

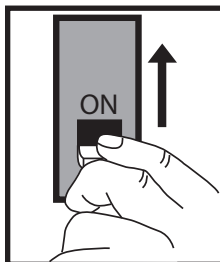
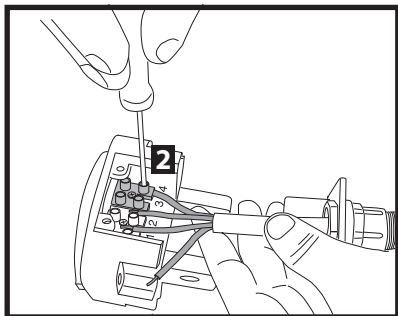
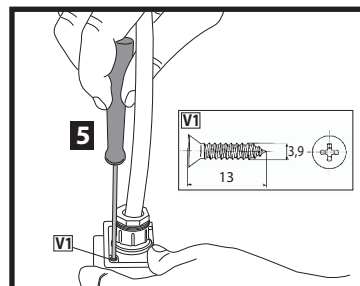
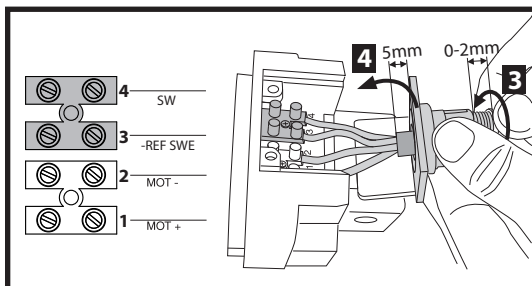
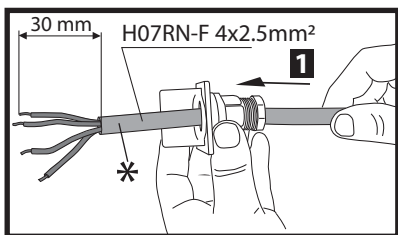


* Not provided!

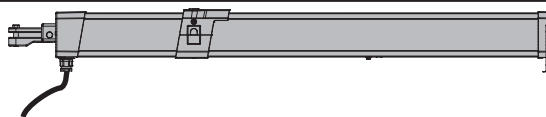
Accessory available in product list

POWER CABLE.

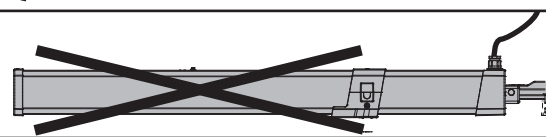
E



OK



KO

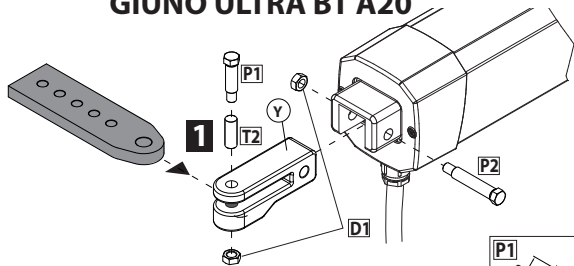


Wire before installation

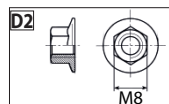
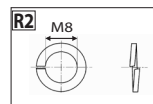
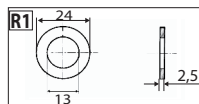
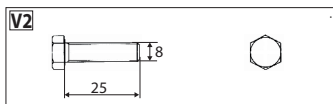
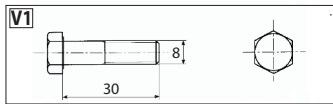
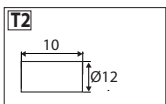
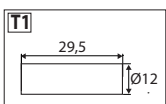
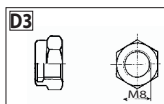
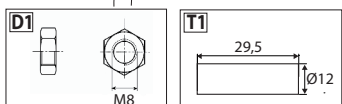
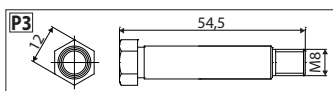
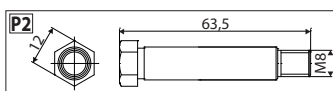
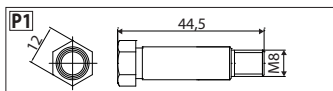
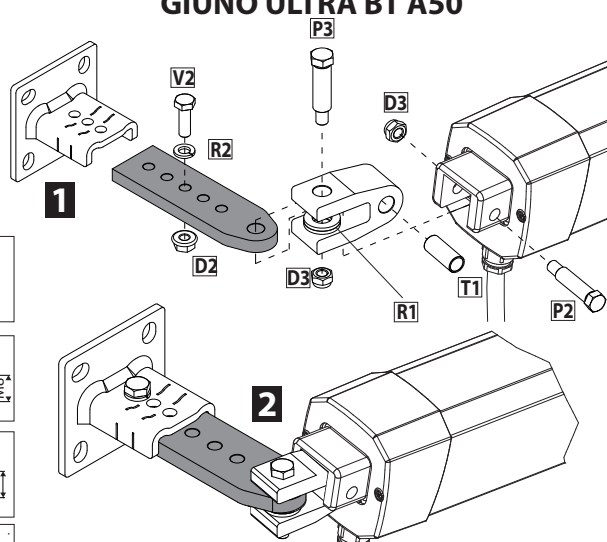
ATTACHING MOTOR TO FASTENING ON PILLAR.

F

GIUNO ULTRA BT A20

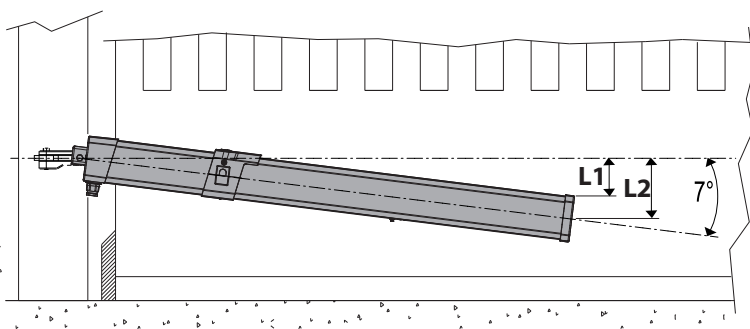


GIUNO ULTRA BT A50



MAXIMUM TILT

G

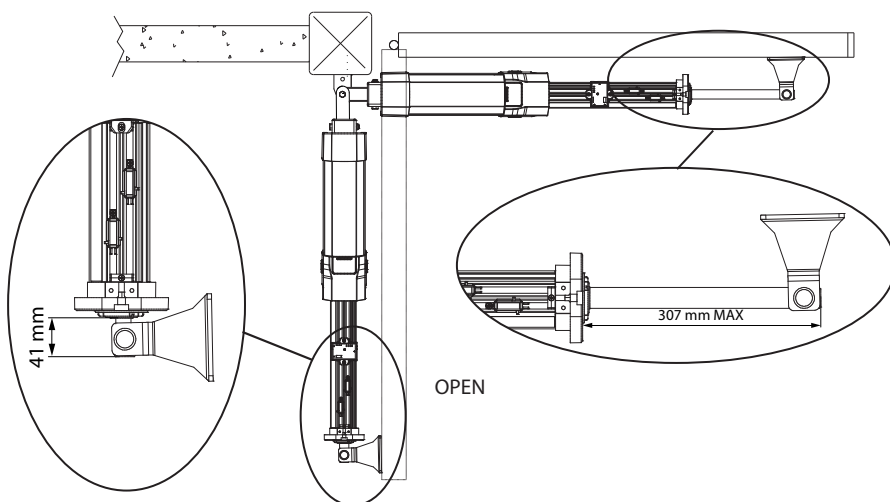
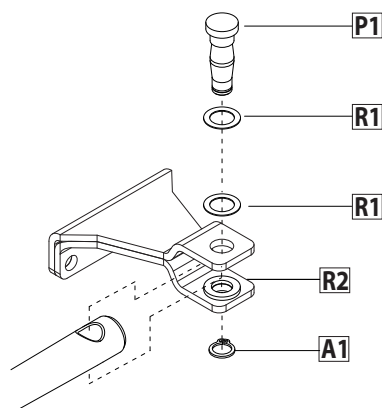


	L1	L2
BT A20	79	127
BT A50	112	159

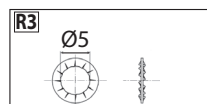
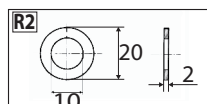
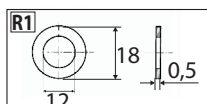
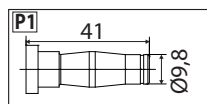
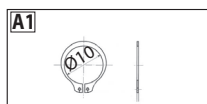
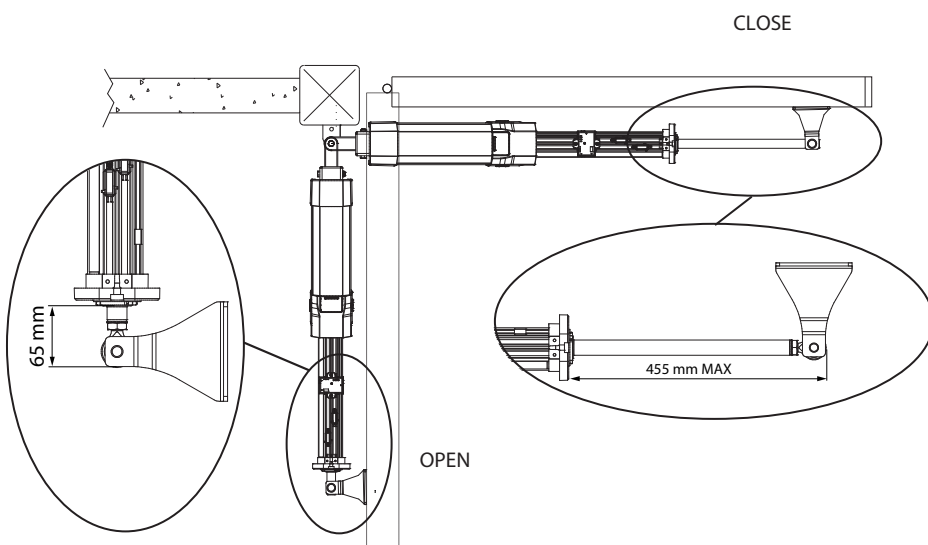
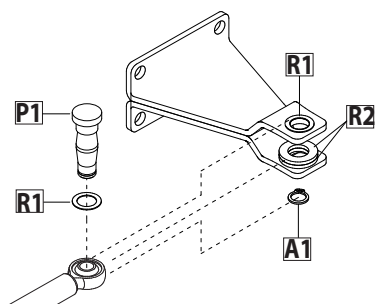
CORRECT INSTALLATION

H

GIUNO ULTRA BT A20



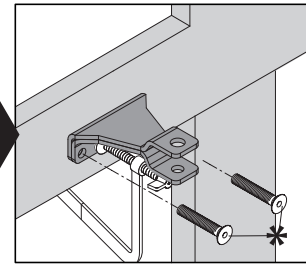
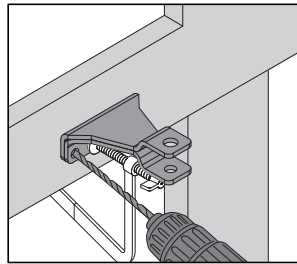
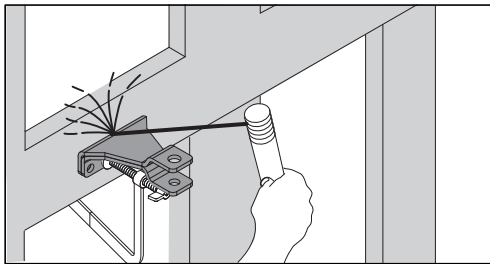
GIUNO ULTRA BT A50



FASTENING OF FITTINGS TO LEAF

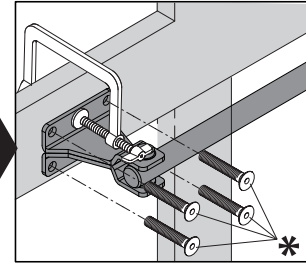
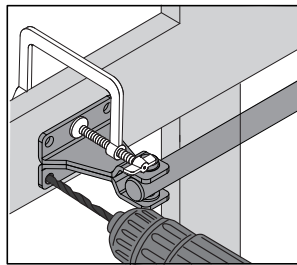
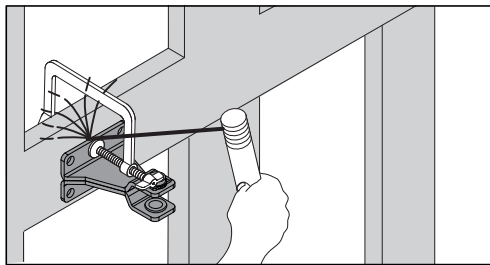
I

GIUNO ULTRA BT A20



* Not provided!

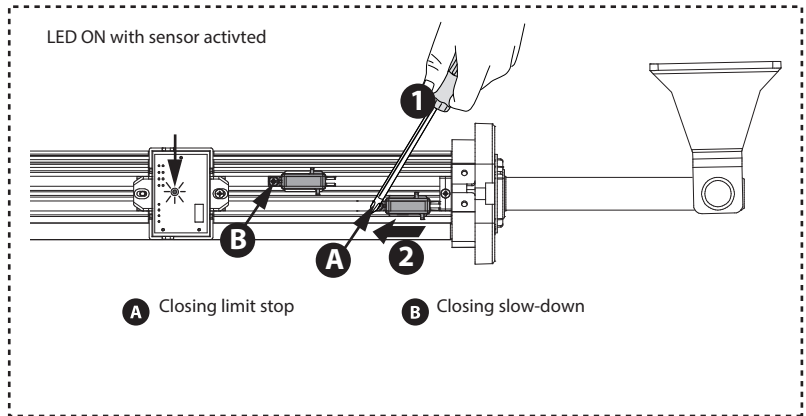
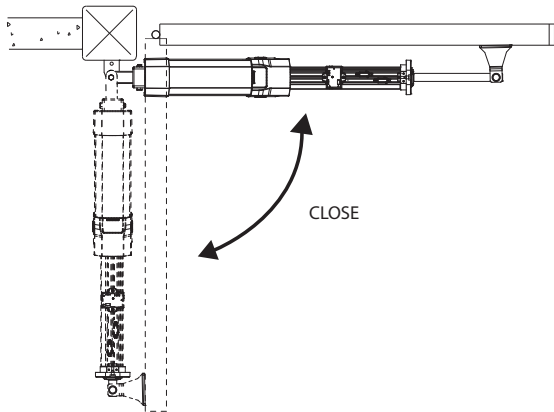
GIUNO ULTRA BT A50



* Not provided!

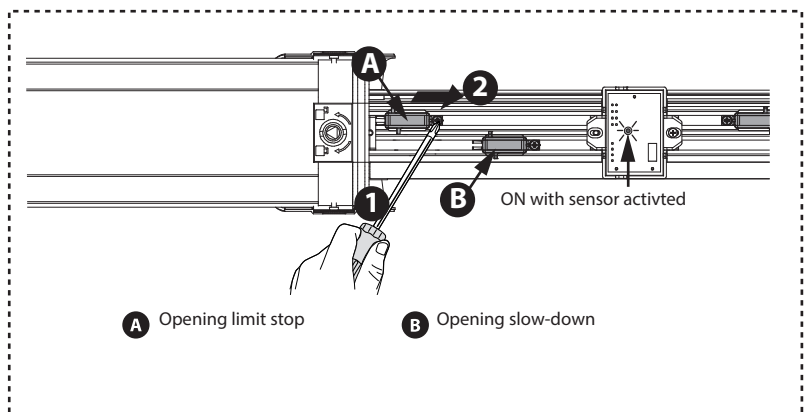
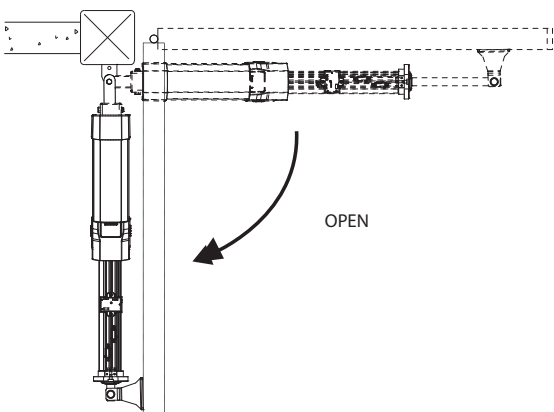
CLOSING LIMIT DEVICE ADJUSTMENT

J



OPENING LIMIT DEVICE ADJUSTMENT

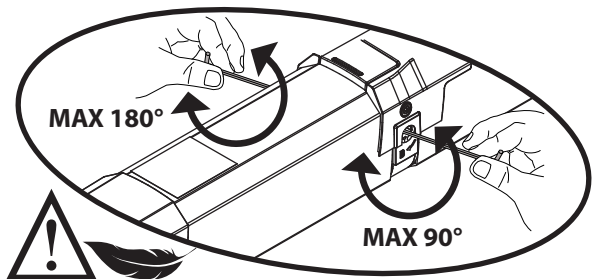
K



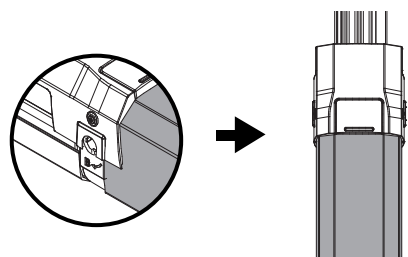
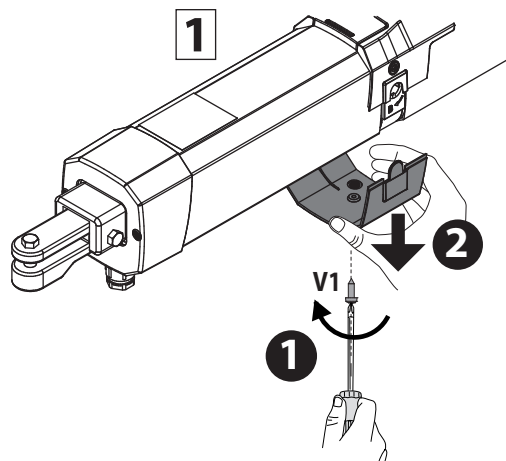
LOCKING SETTINGS



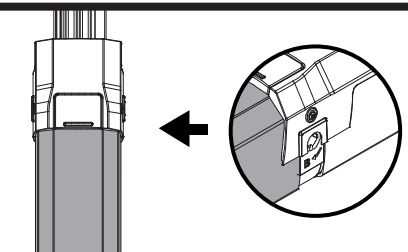
(perform after limit switches have been set). See table 1



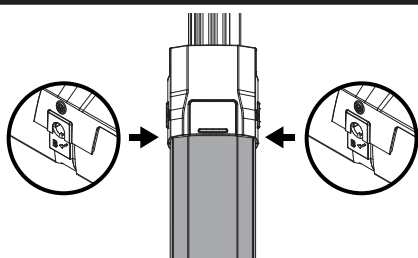
IF NECESSARY. Attention!!
Turn **SLOWLY** until you hear (and can touch) the mechanical stop inside mechanism!!!



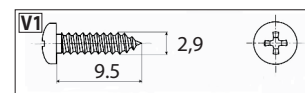
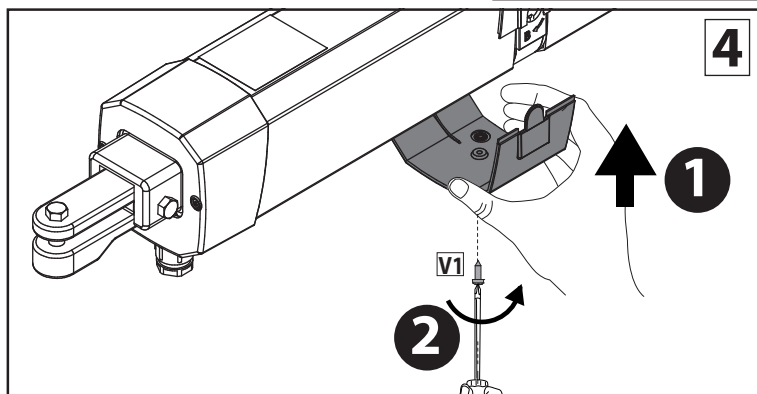
Locking open	2
NO locking open,	3



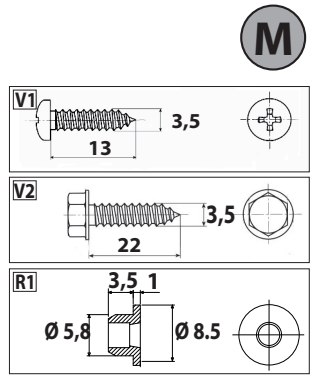
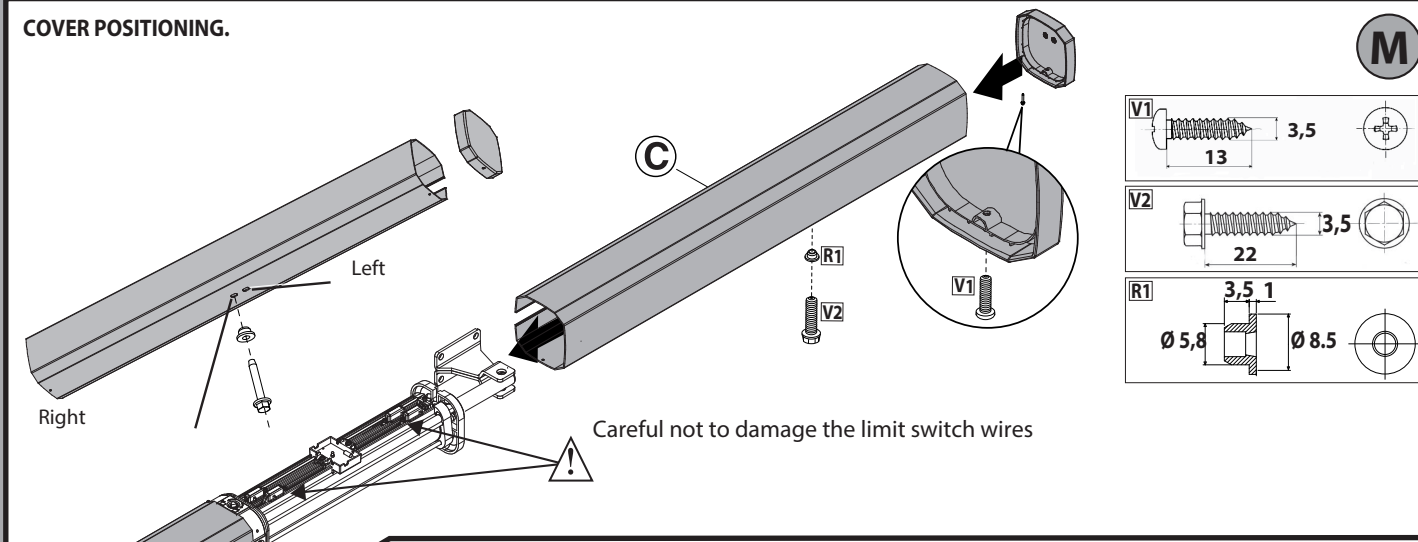
Locking closed,	2
NO locking closed	3



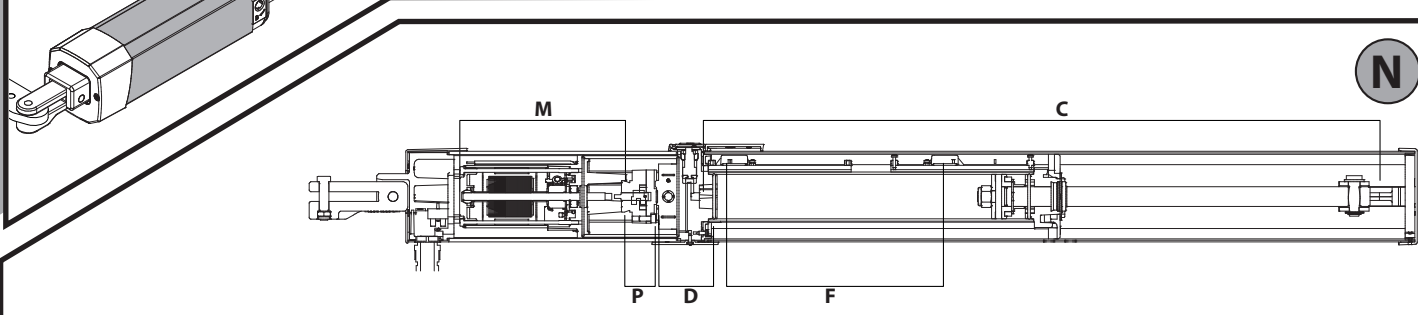
Locking open + locking closed	2	3
Non-locking,	2	3



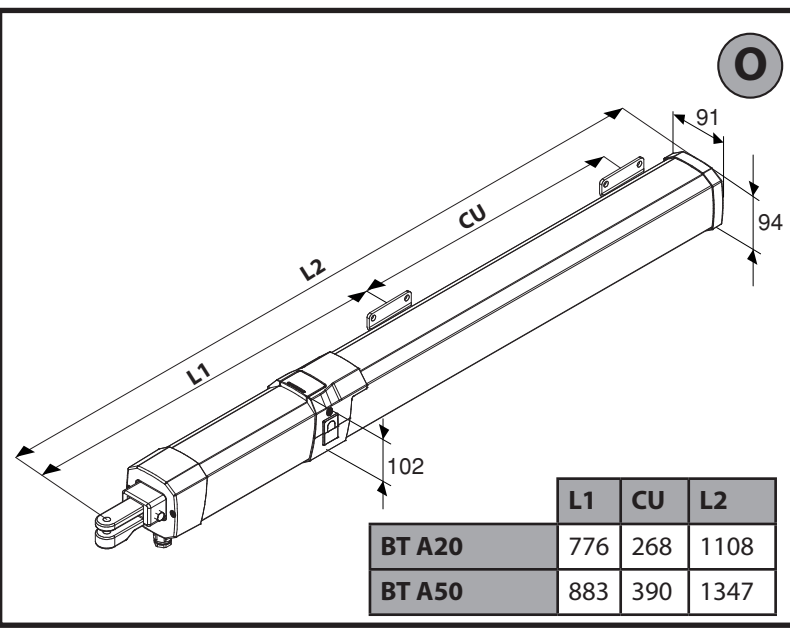
COVER POSITIONING.



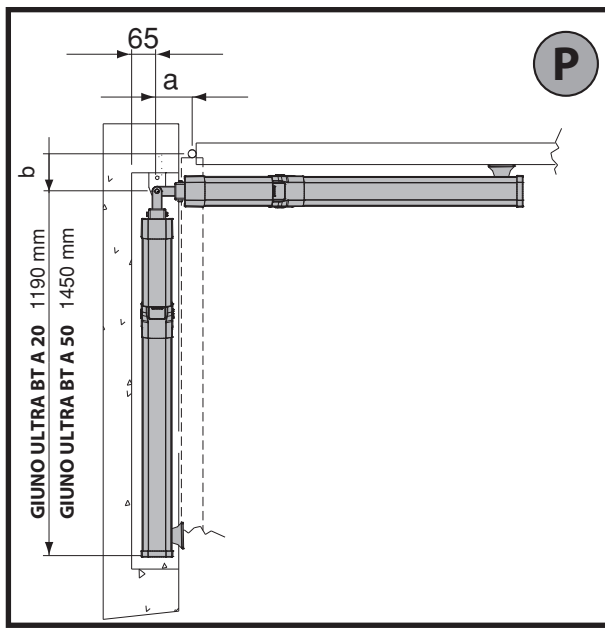
M



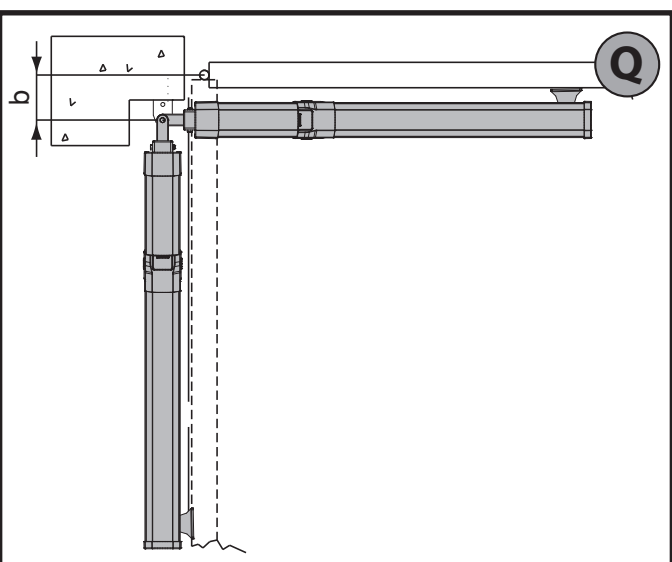
N



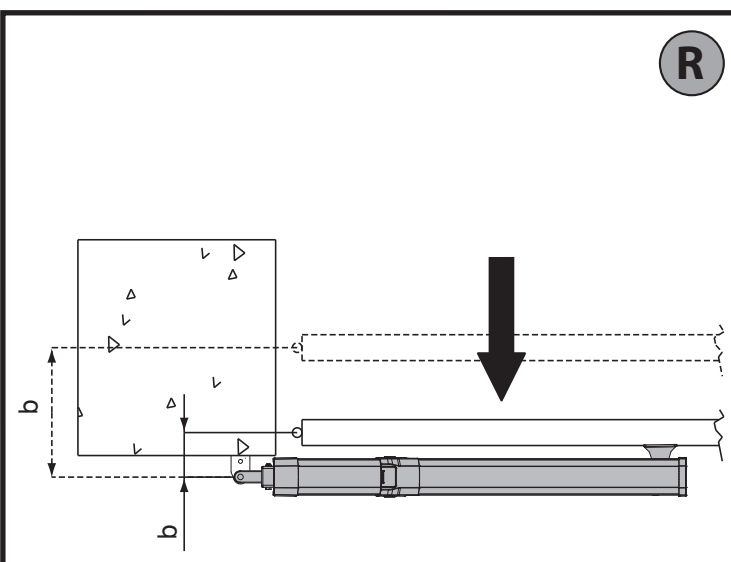
O



P

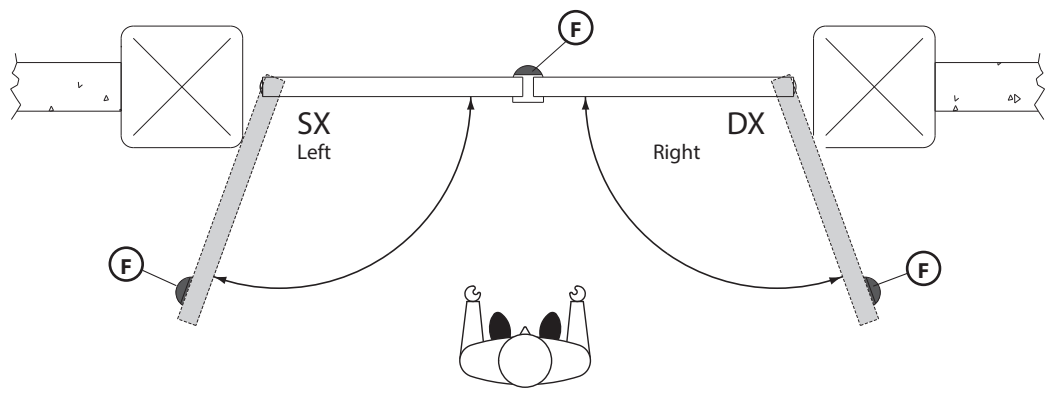


Q

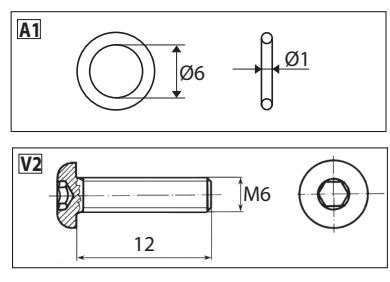
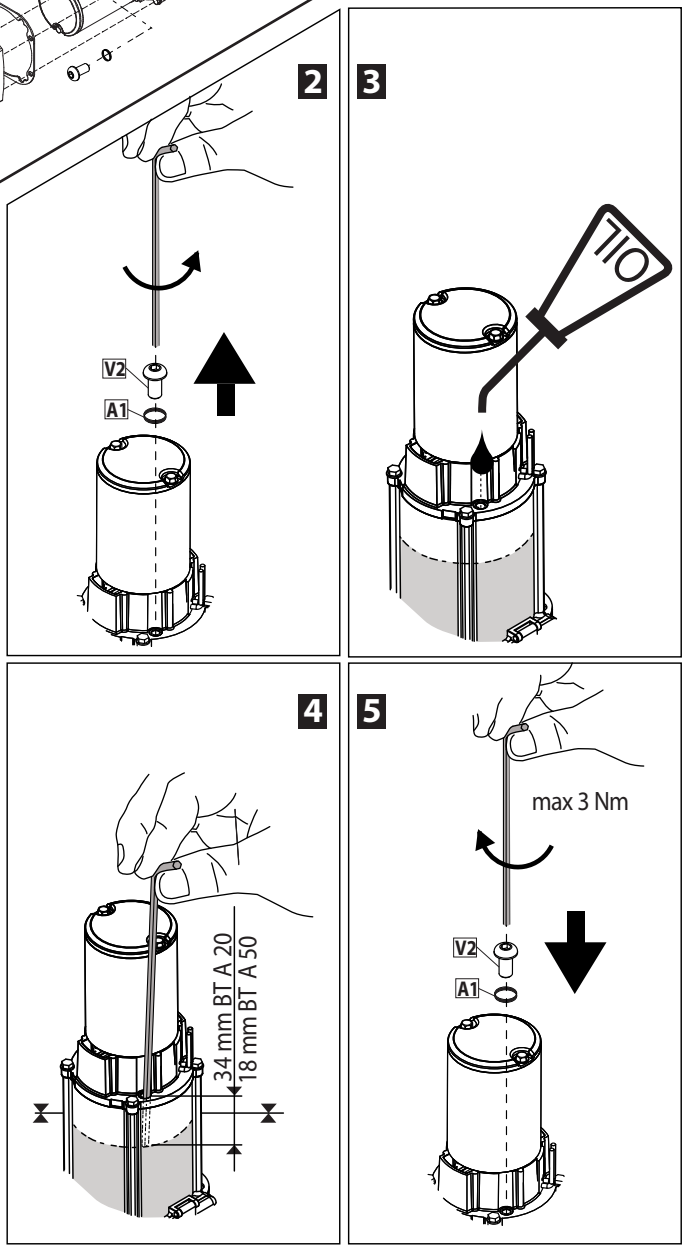
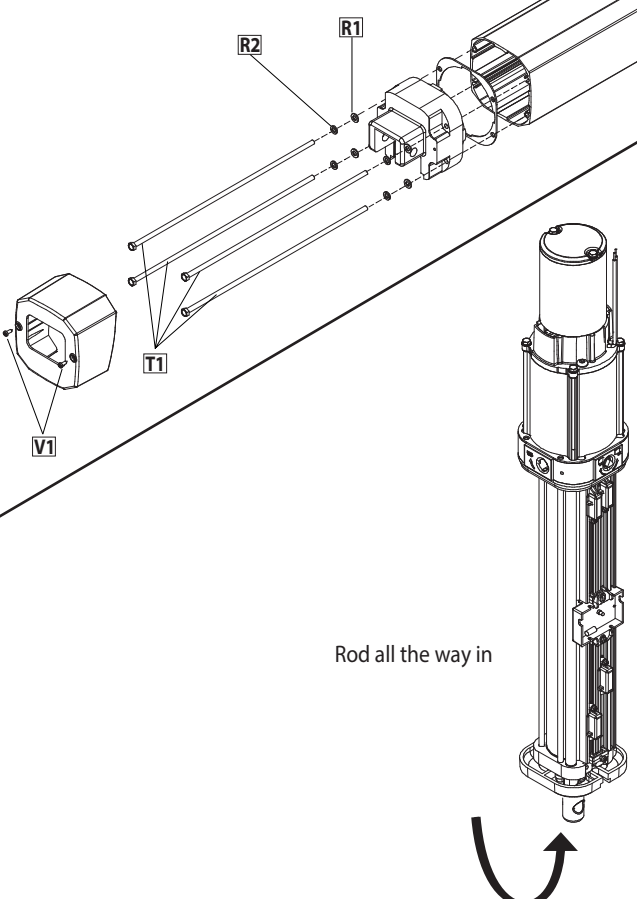
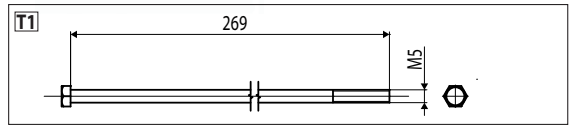
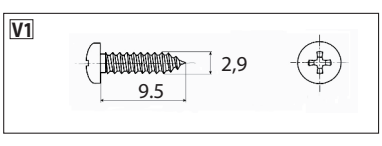
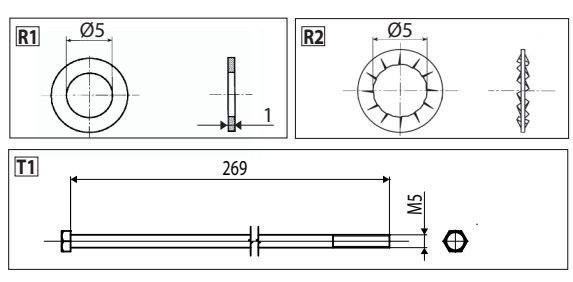


R

S



T



1) GENERAL INFORMATION

Compact and strong hydraulic piston, available in the GIUNO ULTRA BT A20 and GIUNO ULTRA BT A50 versions.
Operating force is adjusted with extreme precision by means of the control unit's electronic control.

2) TECHNICAL SPECIFICATIONS

Power supply (*)	24V
Max. power input	90W
Max. pressure	30 bar
Pump delivery rate	1,2 l/min.
Operating force	3000 N
Pulling force	2600 N
Ambient temperature range	- 20°C to 60°C
Type of use	very intensive
Impact reaction	electronic clutch (with control panel)
Manual operation	release key
Protection rating	IP 55
Actuator weight	GIUNO ULTRA BT A20: 6,6 kg GIUNO ULTRA BT A50: 7,4 kg
Overall dimensions	Fig. Q
Oil	Idrolux Winter
Sound pressure	<70dB(A)

(*) Special supply voltages to order.

Table 1:
BLOCK APPLICATION LIMITS

MOD.	GIUNO ULTRA BT A20	GIUNO ULTRA BT A50
LOCKING TYPE	Hydraulic	Hydraulic
ACTUAL TRAVEL TIME	14 sec.	2 0 sec.
LEAF MAX.		
(m)	2	5-2
(Kg)	300	300/800
TRAVEL mm		
usable	268	390
total	288	410

WARNING: With leaves over 3 metres long, the solenoid lock must be used and locking devices must be opened (Fig. M Ref. 2)

3) TUBE ARRANGEMENT Fig. A

4) PILLAR FASTENINGS INSTALLATION DISTANCES Fig. B

5) INSTALLATION DIAGRAM Fig. C

- P rear bracket fastening to pillar
- F front fork fastening leaf
- a-b distances for determining bracket "P" fastening point
- C value of fastening centre-to-centre distance (see **Fig. O**)
- D gate length
- X distance from gate axis to corner of pillar
- Z value always greater than 45 mm (b - X)
- kg max. weight of leaf (**Table 1**)
- α° leaf opening angle

6) FASTENING OF FITTINGS TO PILLAR Fig. D

7) POWER CABLE Fig. E

8) ATTACHING MOTOR TO FASTENING ON PILLAR Fig. F

9) MAXIMUM TILT Fig. G

10) CORRECT INSTALLATION Fig. H

Correct installation entails maintaining a rod stroke margin of approx. 10mm on the maximum stroke to avoid possible trouble with operation.

11) FASTENING OF FITTINGS TO LEAF Fig. I

12) ADJUSTING THE LIMIT SWITCHES (Fig. J-K)

Position the slow-down sensors (Ref. B fig. J-K) towards the centre of the motor, near the limit switch board; position the limit switch sensors (Ref. A Fig. J-K) at the motor ends.

Enter the limit switch adjustment menu and bring the door to the desired position. To position the door you can release the motor and position it manually or operate buttons + and - (+ Opens, - Closes). Once the door is in the desired position, adjust the limit switch sensor: starting from the motor end, move the sensor towards the centre of the motor until the limit switch board LED lights up; when the limit switch is working, the relative board LED is on, when it is not, the LED is off. Adjust both the opening and closing limit switches. After adjusting the limit switch position (Ref. A Fig. J-K), adjust the position of the slow-down start (Ref. B Fig. J-K).

13) LOCKING SETTING Fig. L

14) COVER POSITIONING Fig. M

15) MAIN PARTS OF AUTOMATED SYSTEM Fig. N

- M) 24V permanent magnet motor
 - P) Lobe pump
 - D) Control valve assembly
 - C) Cylinder with piston
 - F) Limit switch sensors
- Components provided: fittings attached to pillar and gate - release key - instruction manual.

16) TIPS FOR SPECIAL INSTALLATIONS

With the leaf fully open, create a recess to accommodate the operator.
Fig. P gives the minimum dimensions of the recess for the various **GIUNO ULTRA BT A20 - GIUNO ULTRA BT A50** models.
If distance "b" is greater than the values given in the installation tables:
- create a recess in the pillar **Fig. Q**
- move the leaf so that it is flush with the pillar **Fig. R**.

17) LEAF STOPS AT GROUND LEVEL

For the actuator to work properly, it is advisable to use stops "F" to stop the leaves both when they are open and closed, as illustrated in **Fig. S**.
The leaf stops must prevent the actuator rod from reaching the end of its travel.

18) OIL TOP-UP OR REPLACEMENT Fig. T

An oil change is recommended every 5 years.

19) MANUAL OPENING (See **USER GUIDE -FIG.1-**).



www.bft-automation.com

BFT Spa

Via Lago di Vico, 44 **ITALY**
36015 Schio (VI)
T +39 0445 69 65 11
F +39 0445 69 65 22

SPAIN

BFT GROUP ITALIBERICA DE AUTOMATISMOS SL
Camí de Can Bassa, 6, 08401 Granollers, Barcelona, Spagna

FRANCE

AUTOMATISMES BFT FRANCE SAS
50 rue jean zay
69800 Saint-Priest, Francia

GERMANY

BFT ANTRIEBSSYSTEME GMBH
Faber-Castell-Straße 29, 90522 Oberasbach, Germania

UNITED KINGDOM

BFT AUTOMATION UK LTD
Unit C2-C3 The Embankment Business Park, Vale Road Heaton Mersey Stockport Cheshire SK4 3GL United Kingdom

BFT AUTOMATION (SOUTH) LTD

Enterprise House Murdock Road, Dorcan, Swindon, England, SN3 5HY

PORTUGAL

BFT PORTUGAL SA
Urb. Pedrulha lote 9 - Apartado 8123, 3025-248 Coimbra Portugal

POLAND

BFT POLSKA SP ZOO
Marecka 49, 05-220 Zielonka, Polonia

IRELAND

BFT AUTOMATION IRELAND
Unit D3 City Link Business Park, Old Naas Road, Dublin

CROATIA

BFT ADRIA DOO
Obrovac 39, 51218, Dražice, Croazia

CZECH REPUBLIC

BFT CZ SRO
Ustecka 533/9, 184 00 Praha 8, Czech

TURKEY

BFT OTOMASYON KAPI
Şerifali Mahallesi, no, 34775 Ümraniye/Istanbul, Turchia

U.S.A.

BFT AMERICAS INC.
1200 S.W. 35th Avenue Suite B Boynton Beach FL 33426

AUSTRALIA

BFT AUTOMATION AUSTRALIA PTY
29 Bentley St, Wetherill Park NSW 2164, Australia

EMIRATES

BFT MIDDLEEAST FZCO
FZS2 AA01 -PO BOX 262200, Jebel Ali Free Zone South Zone 2, Dubai - United Arab

NEW ZEALAND

BFT AUTOMATION NEW ZEALAND
224/A Bush Road, Rosedale, Auckland, New Zealand