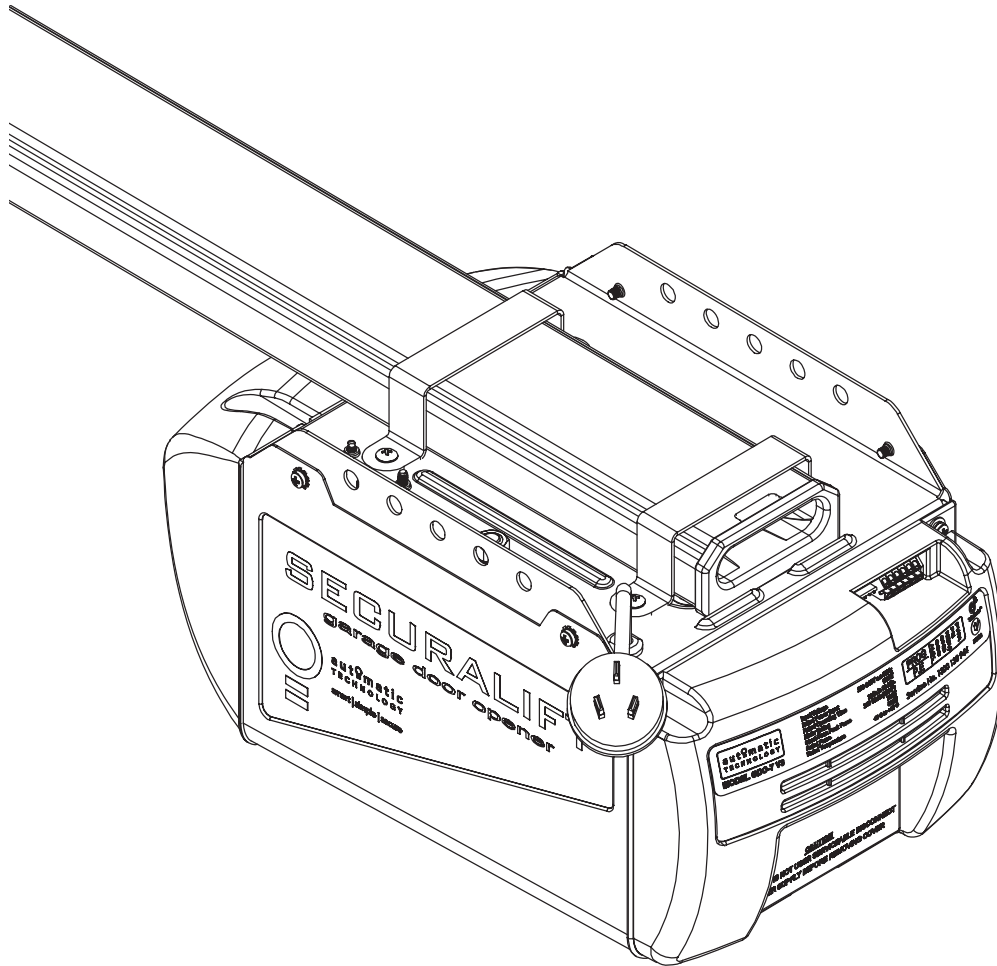




GDO-7v3 SecuraLift®

Overhead Garage Door Opener



Featuring **TrioCode™** Technology

autOmatic
TECHNOLOGY

smart | simple | secure



WARNING: It is vital for the safety of persons to follow all instructions. Failure to comply with the installation instructions and the safety warnings may result in serious personal injury and/or property and remote control opener damage. Please save these instructions for future reference.

Automatic Technology Australia Pty Ltd to the extent that such may be lawfully excluded hereby expressly disclaims all conditions or warranties, statutory or otherwise which may be implied by laws as conditions or warranties of purchase of an Automatic Technology Australia Pty Ltd Garage Door Opener. Automatic Technology Australia Pty Ltd hereby further expressly excludes all or any liability for any injury, damage, cost, expense or claim whatsoever suffered by any person as a result whether directly or indirectly from failure to install the Automatic Technology Australia Pty Ltd Garage Door Opener in accordance with these installation instructions.



GDO-7v3 SecuraLift®

Overhead Garage Door Opener

| | |
|------------------------------------|----|
| Important Safety Instructions | 4 |
| Features | 6 |
| Operating Controls | 8 |
| Package Contents | 10 |
| Installation | 11 |
| Knockdown C-Rail Assembly | 11 |
| C-Rail Attachment | 13 |
| Determine the Door Type | 14 |
| Mounting on a Track Type Door | 15 |
| Mounting on a non-Track Type Door | 16 |
| Mounting Door Bracket & Arms | 17 |
| Programming the Opener | 18 |
| Setting Limits | 18 |
| Setting Limits: via Transmitter | 19 |
| Safety Obstruction Force | 20 |
| Safety Obstruction Force Test | 20 |
| Adjustin Safety Obstruction Forces | 21 |
| Coding Transmitters | 22 |
| Door | 22 |
| Courtesy Light | 22 |
| Vacation Mode | 22 |
| Pet (Pedestrian)Mode | 23 |
| Remotely Coding Transmitters | 24 |
| Deleting Transmitter Codes | 24 |
| Accessories | 25 |
| Photo Electric Beam | 25 |
| Auto-Close | 25 |
| Final Set Up | 26 |
| Courtesy Light Time | 26 |
| Pet Mode Door Height | 26 |
| Wall Mounted Transmitter | 26 |
| Re-Initialising | 26 |
| Parameters | 27 |
| Door Status Indicators | 27 |
| Button Functions | 28 |
| System Specifications | 29 |
| Troubleshooting Guide | 30 |
| Maintenance | 31 |
| Spare Parts | 33 |
| Warranty | 34 |





Important Safety Instructions

WARNING: It is vital for the safety of persons to follow all instructions. Failure to comply with the following Safety Rules may result in serious personal injury and/or property damage.

CAUTION: If your garage has no pedestrian entrance door, an emergency access device should be installed. This accessory allows manual operation of the garage door from outside in case of power failure.

For **ADDITIONAL SAFETY** protection we **STRONGLY** recommend the fitting of a Photo Electric (P.E.) Beam. In most countries P.E. Beams are mandatory on all garage doors fitted with automatic openers. For a small additional outlay Automatic Technology recommends that Photo Electric Beams be installed with the automatic opener ensuring additional safety and peace of mind.

DO NOT operate the opener unless the garage door is in full view and free from objects such as cars and children/people. Make sure that the door has finished moving before entering or leaving the garage.

DO NOT operate the opener when children/persons are near the door. Children must be supervised at all times when the SecuraLift® is in use. **Serious personal injury** and/or property damage can result from failure to follow this warning.

DO NOT allow children to operate the SecuraLift®. **Serious personal injury** and/or property damage can result from failure to follow this warning.

Regularly check to make sure that the **safety obstruction force** is working correctly, and is **tested** and set as per **page 20 of this manual**. Failure to follow these instructions could result in **serious personal injury** and/or property damage. This test must be repeated at regular intervals and the necessary adjustments made as required.

Doors requiring over 400N of force to move must have P.E. Beams installed.

DO NOT disengage the door opener to manual operation with children/persons or any other objects including motor vehicles within the doorway.

The door opener is not intended for use by young children or infirm persons without adequate supervision. Children should be supervised to ensure that they do not play with the remote transmitters or the opener.

Keep hands and loose clothing **clear** of the door and door opener at all times.



Important Safety Instructions

The unit should be installed so that it is protected from the elements. It should not be exposed to water or rain. It is not to be immersed in water or sprayed directly by a hose or other device.

The garage door must be **well balanced**. Sticking or binding doors must be repaired by a qualified garage door installer prior to installation of the opener.

Frequently examine the installation, in particular cables, springs and mountings for signs of wear, damage or imbalance. **DO NOT** use if repair or adjustment is needed since a fault in the installation or an incorrectly balanced door may cause injury. **DO NOT** attempt to repair the door yourself as hardware is under extreme tension.

Remove or disengage all garage door locks and mechanisms prior to installation of the opener.

Connect the opener to a properly **earthed** general purpose 240V mains power outlet installed by a qualified electrical contractor.

Disconnect the power cord from mains power before making any repairs or removing covers. Only **experienced** service personnel should remove covers from the opener.

When using auto close mode, a **photo electric beam** must be fitted correctly and tested for operation at regular intervals. **Extreme caution** is recommended when using auto close mode. **All safety rules** must be followed.

In order for the SecuraLift® to **sense** an object obstructing the door way, some **force** must be exerted on the object. As a result the object, door and/or person may suffer **damage** or **injury**.

If the power supply cord is damaged, it **must** be replaced by an Automatic Technology service agent or suitably qualified person.

Make sure that the door is fully open before driving in or out of the garage and fully closed before leaving the driveway.

Make sure that remote controls are kept out of reach of children.

Install the (optional) wall switch or (optional) wall mounted transmitter in a location where the garage door is visible, but out of the reach of children at a height of at least 1.8 meters from the floor.





Features

Thank you for purchasing the Automatic Technology SecuraLift® Automatic Garage Door Opener. Designed by our renowned engineers to suit sectional overhead and one piece tilt up doors, the SecuraLift® will provide years of smart, simple & secure convenience to your home.

Operation

To open or close the door simply press a button on a TrioCode™ handheld transmitter, a wall mounted transmitter, or optional wall switch for two seconds. During open and close cycles the door can be stopped by pressing the button again. The next actuation will move the reverse the door's direction.

TrioCode™ Code Hopping Technology

Every time a TrioCode™ transmitter is used a new security code is randomly generated from over 4.29 billion possibilities. This greatly enhances the security of the system and makes "code grabbing" a thing of the past

These transmitters also overcome interference issues by simultaneously sending a signal over three slightly different frequencies. Even if two of the three signals are jammed, the system will still work.

S-ALPS (Semi Automatic Limits Positioning System)

The S-ALPS system does away with manual adjustment of the door's limits position using mechanical parts, such as cams and microswitches. During installation the handheld transmitter can be programmed to set the limits positions.

Anti-travel electronic brakes

The SecuraLift® features an anti-travel electronic brake mechanism to ensure the opener stops the door at exact location

ISS (intelligent safety obstruction system)

While the door is performing a close cycle, should it hit an obstacle or be restricted in some manner, it will automatically reverse. The amount of force the door should encounter before reversing is automatically adjusted by the doors control system during the initial installation of the automatic door opener. The door will also stop if restricted whilst opening. The Safety Obstruction Force should be checked at least once a month. See installation manual for instructions.





Overload indicator

When the maximum opening and closing capacity of the SecuraLift® is exceeded the red and green Limits LEDs flash alternately to indicate that an overload has occurred.

Auto courtesy light

The SecuraLift® courtesy light comes on automatically whenever the door is activated. The light can also be switched on and off without operating the door by coding a dedicated button on a TrioCode™ transmitter. The light will stay on for approximately three minutes then switch off. This time is adjustable.

Vacation mode

A hand held transmitter can be programmed to lock and unlock all other transmitters that have been programmed into the openers' memory. The vacation mode can be used when the door is left idle for long periods of time.

Pet/Pedestrian mode

The hand held transmitter can be programmed to open the door partially so that the family pet can enter and exit the garage at any time. You may also wish to open the door to a height suitable only for pedestrian access. The door opening position is also programmable.

Auto-close mode

The opener can be programmed to automatically close after an open cycle. The auto-close time is adjustable. It is compulsory to install a P.E. Beam if this mode is selected, otherwise the door may cause personal injury or damage to property.

Photo Electric (P.E.) Beam (optional)

The opener has an input for a P.E. beam to be connected for extra safety protection and use of the auto-close mode.

Manual operation

The opener is equipped with a unique manual disengaging device. If the power to the opener is disrupted for any reason the door can be put into manual mode by pulling down on the string handle on an angle towards the door. This will allow you to manually open or close the door. To re-engage the opener pull the string handle away from the door.





Operating Controls

- 01** **PROG INPUT** is used to connect of the Automatic Technology Handheld Programmer for the purpose of editing control and receiver functions.
- 02** **Terminal Block.**
- » 24V PWR is used to power photo electric beam.
 - » PE (Input) for photo electric beam for safety.
 - » PE (0v) is used to supply 0 volts to photo electric beam.
 - » GND is used with OSC input or AUX out put
 - » O/S/C INPUT is used for the connection of a wired switch (momentary contact). This switch can then be used to open, stop or close the door. Install the wall switch in a location where the switch is out of reach of children and the garage door is visible.
 - » AUX (output) can be used to control alarm system .
- 03** **SET** button (orange) is used during the installation phase together with the Open and Close buttons to set the door limit positions. The Set button is also used to re-initialize the Opener.
- 04** **OPERATE** button (Yellow) is used during installation to test the open, stop and close cycles for the opener. The opener has to be initialised by the Reset button to make the O/S/C button operable.
- 05** **PLUS (+)** button (green) is used during installation to help set the open limit position. Pressing and holding this button will move the door in the open direction, releasing stops the door.
NOTE: The safety obstruction detection is inoperable when the PLUS (+) button is used to move door.
- 06** **OPEN LIMIT LED** (green) the LED is very helpful during installation. It illuminates and flashes when the door is opening and remains steady on when the open limit position has been reached.
- 07** **FORCE MARGIN SET** Button The obstruction force margin is set automatically during installation. The margin can be adjusted manually using the Force Margin Set button (White). Holding the Force Margin Set button and pressing Plus (+) or Minus (-) buttons will increase or decrease the amount of force. The Force Margin Set should only be used if environmental factors (wind, etc.) affect the door's operation.
- 08** **LIGHT CODE** button (white) is used for storing or erasing the transmitter button (code) you wish to use to switch the courtesy light on the opener on or off.
- 09** **CODING LED** (red) light flashes when a code is being stored or when a transmitter button is pressed.
- 10** **DOOR CODE** BUTTON (blue) is used for storing or erasing the transmitter button you wish to use to command the door to open, stop or close.
- 11** **DOOR STATUS LED** (Yellow)
- 12** **MINUS (-)** button (red) is used during installation to help set the close limit position. Pressing and holding this button will move the door in the close direction. Movement stops when the button is released.
NOTE: The safety obstruction detection is inoperable when the MINUS (-) button is used to move door..
- 13** **CLOSE LIMIT LED** (red) the LED is very helpful during installation. It illuminates and flashes when the door is closing and remains steady on when the close limit position has been reached.
- 14** **Datum adjust screw** is used during limits set up to indicate the mid point of the door's travel.
- 15** **AUTO CLOSE TIME** button (White) is used to adjust the auto close time. While holding in the AUTO CLOSE TIME button and then pressing the open button the time is increased. Each press will increase the time by 5 seconds. Pressing the close button will decrease the time.



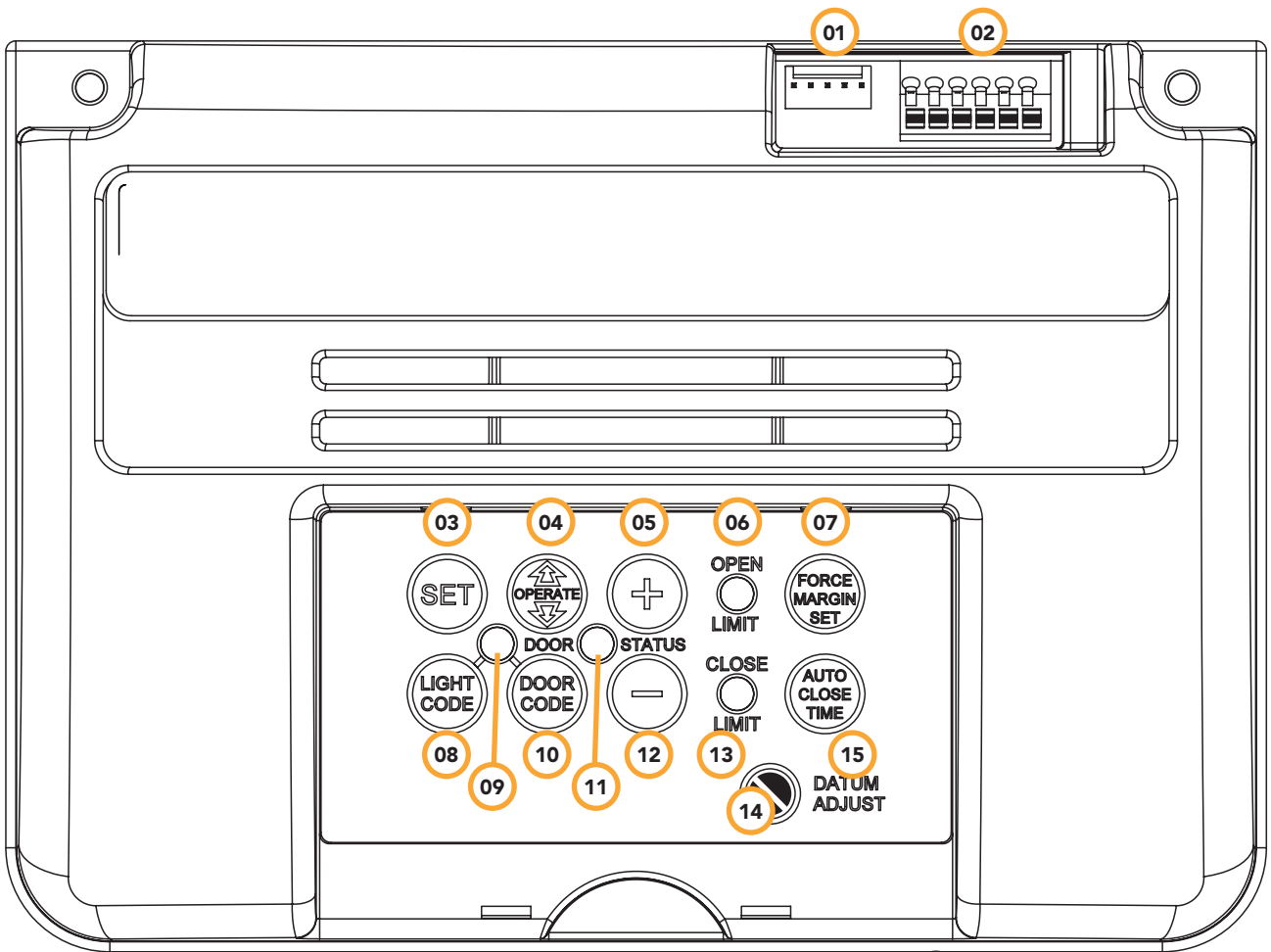


fig 01

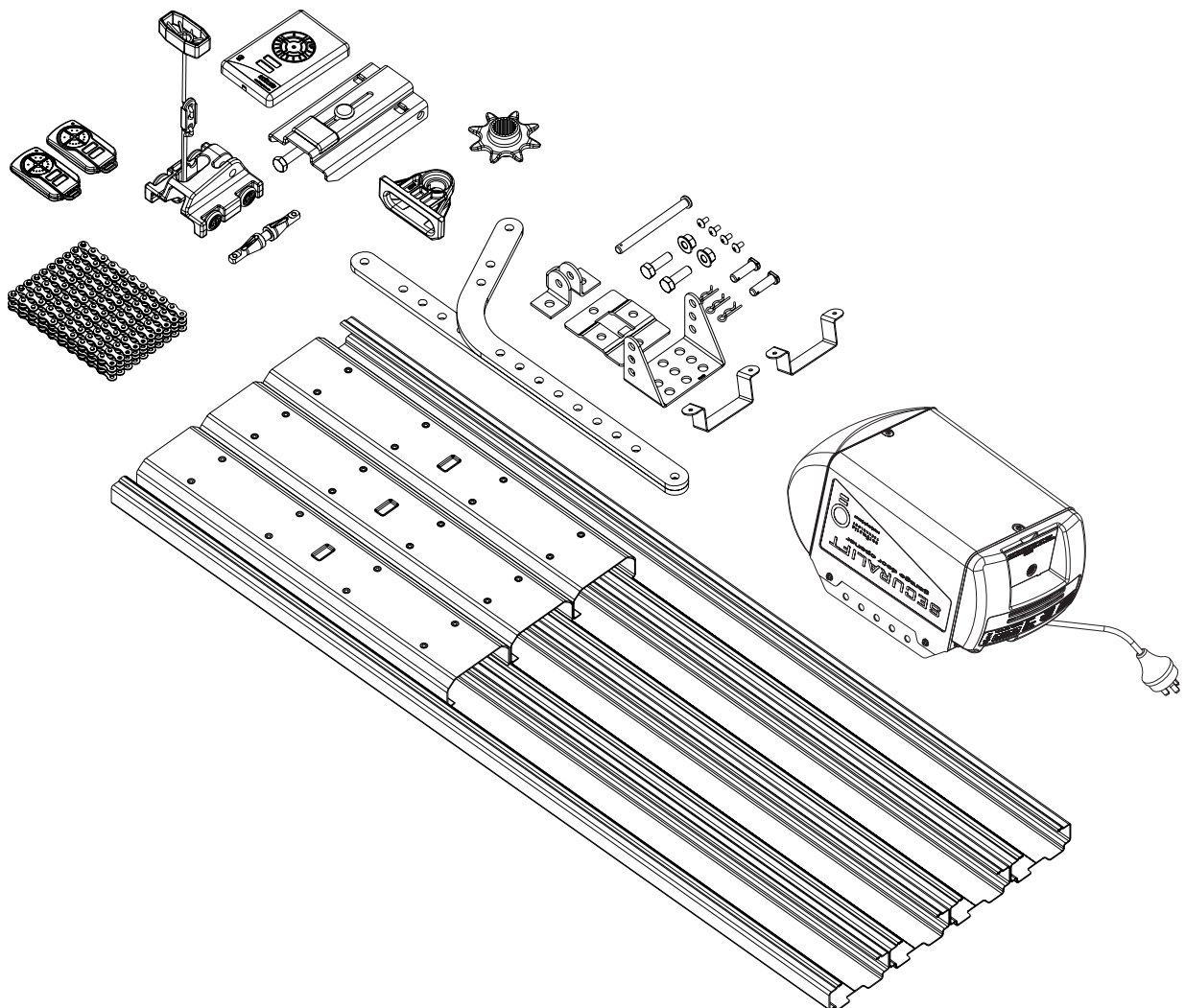




Package Contents

| | |
|---------------------------------------------------------------|---|
| Gdo-7v3 Securalift® drive unit | 1 |
| TrioCode™ keyring transmitters | 2 |
| TrioCode™ wall mounted transmitter (not available all models) | 1 |
| C rail track pack (Fig. 02) | 1 |
| (Pack includes three C rail sleeves and four C rail tracks) | |
| Chain | 1 |
| Shuttle assembly | 1 |
| Door attachment arms | 2 |
| Hardware pack | 1 |
| Installation Manual | 1 |

fig 02





Knockdown C-Rail Assembly

Step 1 - Knockdown C-Rail Assembly

- Place track pieces on flat surface for assembly. All the track sections are interchangeable.
- Slide sleeve onto the track section (Fig. 03). Connect track by sliding sleeve onto next track section. Tap track assembly on piece of wood until track sections are flush. Repeat with remaining track sections.
- Remove chain from package and lay chain out on floor (do not allow chain to twist).
- Loop the chain onto the pulley of tension chain assembly. Slide the tension chain assembly with chain into the track (Fig. 04).
- Slide shuttle assembly into (opener end) the track assembly, be sure to insert shuttle assembly with hole side toward the door as shown with arrow in (Fig. 05). Push the sprocket support into (opener end) of the track.
- Feed the chain through the shuttle assembly then through the sprocket support and loop around the sprocket then feed back through the sprocket support and shuttle assembly. Join to chain index with chain links (supplied) (Fig. 05).

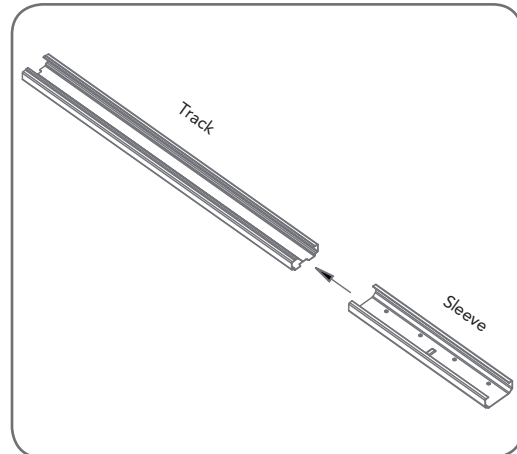


fig 03

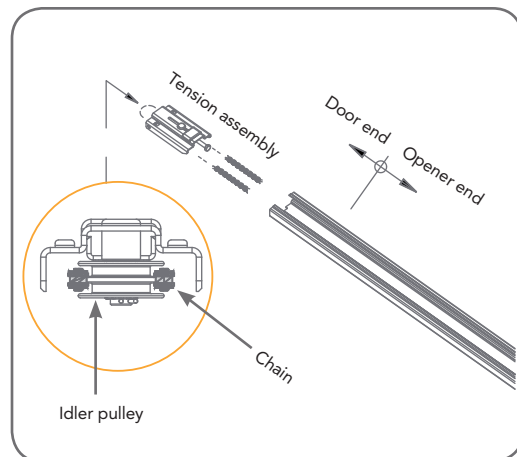


fig 04

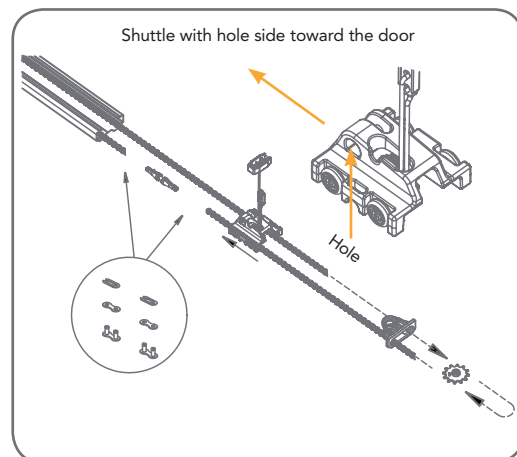


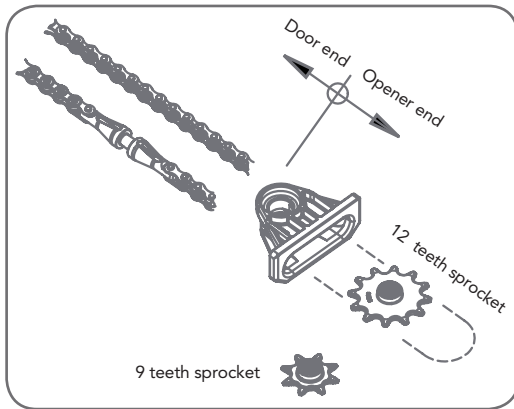
fig 05





Knockdown C-Rail Assembly

fig 06



Note: Use the 8 teeth sprocket with Gdo-7v3 opener.

- h. Engage the shuttle with the chain index and move shuttle assembly to the centre of track. Make sure the chain is engaged into the sprocket and also wrapped around the centre of the pulley.
- i. Use a spring scale to measure required force to pull the shuttle, adjust 1/2" tension hex bolt (Fig. 07) to tension the chain.
- j. Move the shuttle back to the centre of the track to re-test the force with spring scale (Fig. 08).
- k. Continue to adjust adjust the tension hex bolt until a force of 8kg to 8.5 Kg is achieved.

fig 07

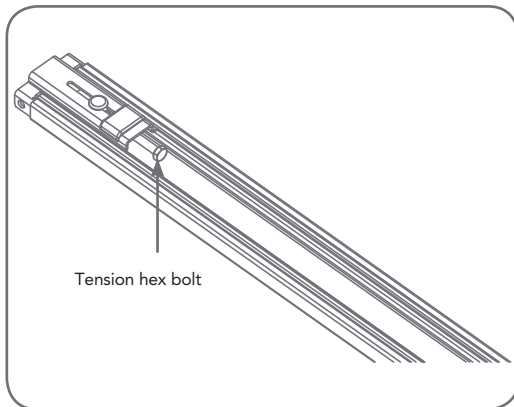
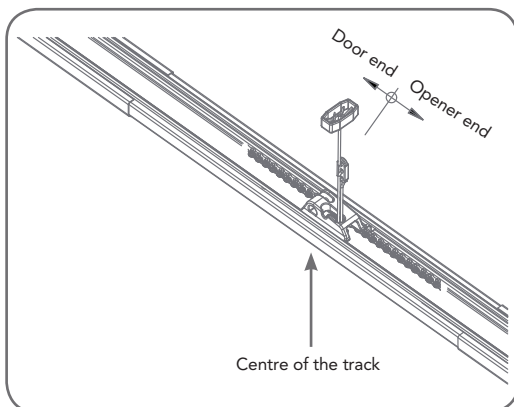


fig 08





C-Rail Attachment

Step 2 - Secure C-Rail to Drive Unit

- Locate and insert the shaft of drive unit into the C-Rail's sprocket (**Fig. 09**).
- Fix the two track brackets with four screws supplied in accessory pack (**Fig. 10**).

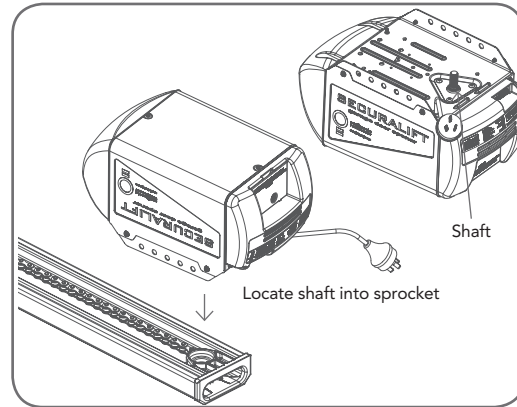


fig 09

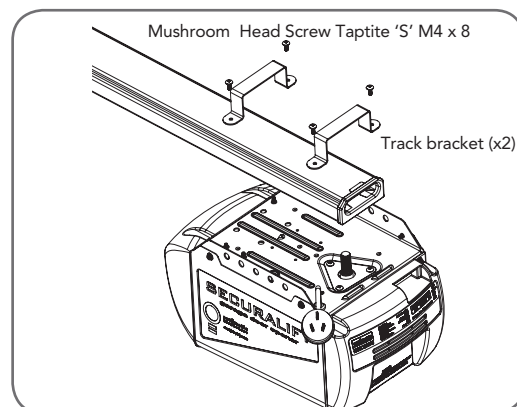


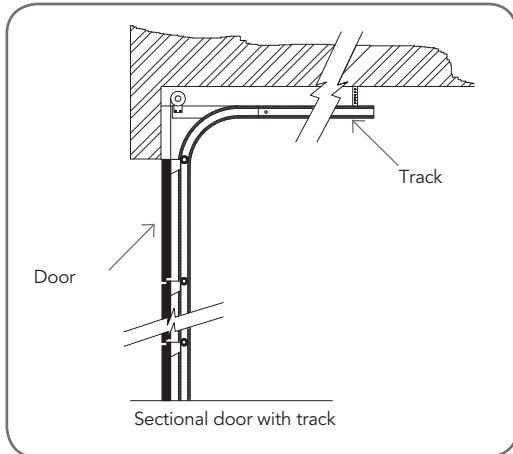
fig 10





Determine the Door Type

fig 11

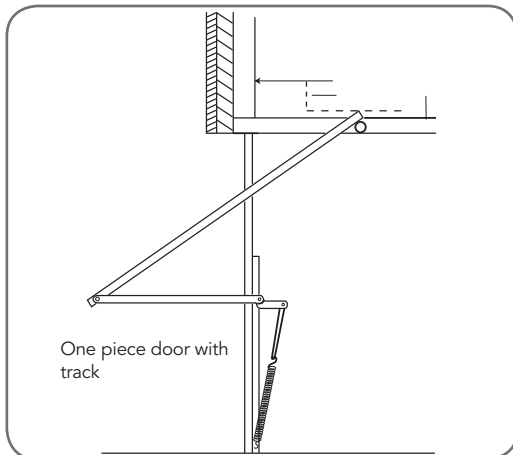


Step 3 - Determine Door Type

Determine which type of garage door you have as illustrated below. (Fig. 11 to 13).

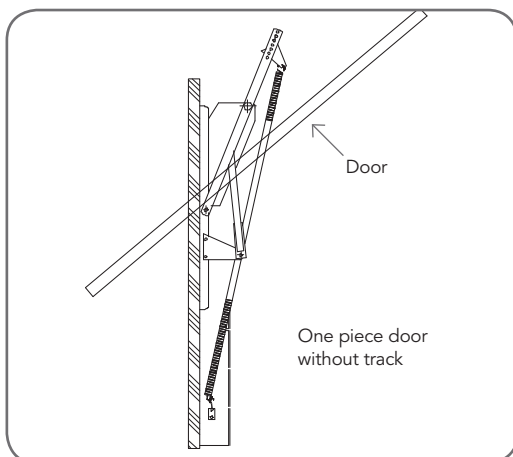
For a sectional (panel) door on tracks (Fig. 11) proceed with the installation from Step 4.

fig 12



For a one-piece door on tracks (Fig. 12) proceed with the installation from Step 4.

fig 13



For a one-piece door without tracks (on springs) (Fig. 13) proceed with the installation from Step 8.



Mounting on a Track Type Door

Step 4 - Determine Bracket Position

- Open the door and find the highest point of travel of the top door panel.
- Using a level, transfer this height to the wall above the door (**Fig. 14**) and mark a line 60mm above it.
- Determine the centre point on the wall above and on top of the door. Draw two lines extending 21.5mm from each side of the centre point. (**Fig. 15**)

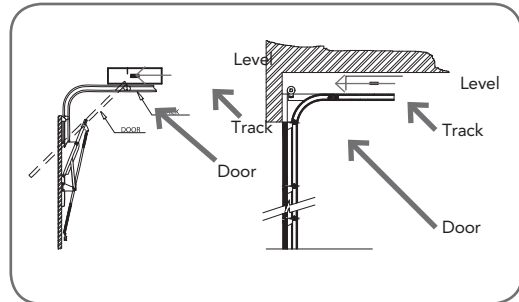


fig 14

Step 5 - Mounting the Wall Bracket

- Centre the bracket over the intersection of these two lines. Mark centres for at least two holes (**Fig. 15**).
 - Ensure this is into a solid mounting point
- Drill holes into the wall with an appropriate bit.
- Secure to the wall using:
 - IF CONCRETE OR BRICK - 8mm or 5/6 loxins or dynabolts.
 - IF TIMBER - wood screw #20 or equivalent (minimum 50mm long).

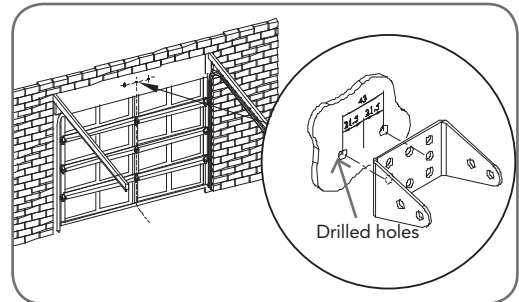


fig 15



WARNING: Make sure concrete, brick wall or timber lintels are solid and sound so as to form a secure mounting platform.

Step 6 - Attach the Rail to the Wall Bracket

- Attach the c rail assembly to the wall bracket with the 90mm long clevis pin and secure with the supplied snap pin (**Fig. 16**)
- Leave the powerhead in its packing box for protection during installation.

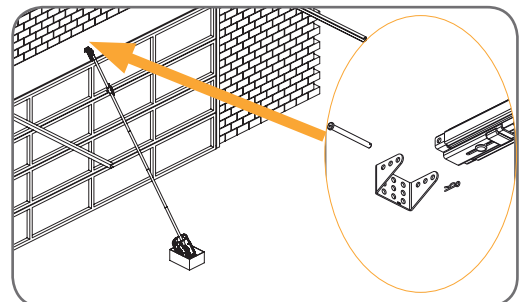


fig 16

Step 7 - Secure the Powerhead to the Ceiling

- Raise the powerhead from the packing box and support it in the horizontal position with a step ladder.
- Open the garage door. Rest the opener on the open door and use a scrap piece of wood to bring it to horizontal level.
- Line up the track perpendicular to the wall.
- Secure the perforated angle (not supplied) to the ceiling above where powerhead's mounting holes will be once fully installed. A representative mounting is shown (**Fig. 17**)
- Connect the powerhead to the ceiling mounted perforated angle with M8x20mm screws and nuts. Strips should not extend more than 18mm below centre of powerhead mounting holes.

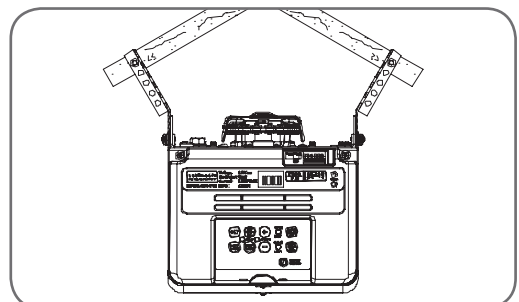


fig 17

Go to Step 14 on page 18.



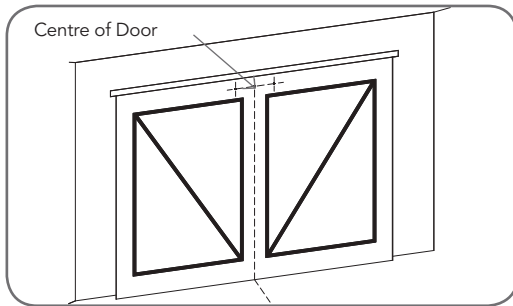
WARNING: The opener must be securely fastened to structural supports otherwise opener failure may ensue, causing serious personal injury and/or property damage.





Mounting on a non-Track Type Door

fig 18



WARNING: The opener must be securely fastened to structural supports, otherwise opener failure may ensue causing serious personal injury and/or property damage.

Step 8 - Determine the Door's Centre

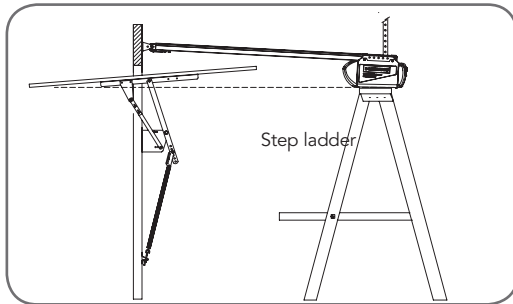
- Find the centre of the door and mark this location both above the door and on top of the door.
- Draw two lines 21.5mm either side of this (Fig. 18).

Step 9 - Prepositioning the Opener

- Raise the door to open position.
- Rest the opener on the top edge of the door with end of the rail against the wall (Fig. 19).
- Support the powerhead level with the lowest point of the open door (Fig. 19).

NOTE: Do not slide rail along the face of the door.

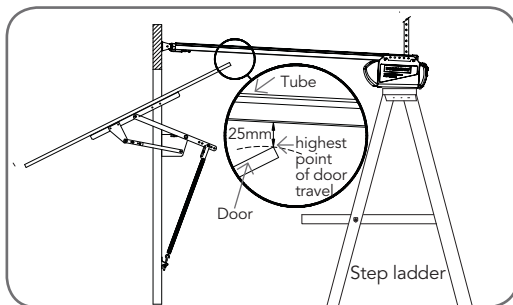
fig 19



Step 10 - Mounting the C-Rail

- Close the door slowly. The rail will be elevated by the top edge of the door as it moves.
- Stop the door when it is at its highest point of travel. Allow 25mm additional height for clearance between the door and the track (Fig. 20).
- Support the Rail in this position and close the door.
- The height determined in Step 10 (b) will be the height at which to mount the wall bracket.
- Centre the bracket along the line determined in Step 8.
- Using the bracket as a template, mark a minimum of two holes and drill with appropriate size bit. For a more secure fitting, the wall bracket can be anchored using more than two holes.
- Secure the bracket to the wall using:
IF CONCRETE OR BRICK - 8mm (5/6") loxins/dynabolts.
IF TIMBER - wood screw #20 or similar (min. 50mm)
- Attach the bracket and C-Rail with supplied pins (Fig. 16).

fig 20

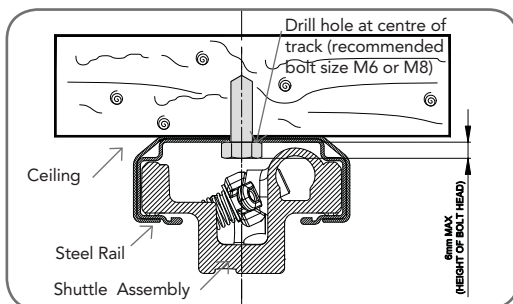


WARNING: Make sure concrete, brick wall or timber lintels are solid and sound so as to form a secure mounting platform.

Step 11 - Secure the Powerhead to the Ceiling

- Secure the perforated angle (not supplied) to the ceiling above where powerhead's mounting holes will be. See (Fig.17) for a representative mounting.
- Connect the powerhead to the ceiling mounted perforated angle with M8x20mm screws and nuts. Strips should not extend more than 18mm below centre of powerhead mounting holes (Fig. 17).

fig 21



Step 11.1 - Alternative Mounting Option

The opener can be fastened to the roof by driving a bolt through the C-Rail into a structural timber support. The bolt head's height must not exceed 6mm (Fig. 21).





Mounting Door Bracket & Arms

Step 12 - Mounting Door Bracket

The door bracket comes in two parts. The bottom plate with two mounting holes is used on its own for one piece doors. For sectional doors, the top plate is placed over the bottom plate and is fixed with four (4) screws (**Fig. 22**).

- Mount the door bracket, or bracket assembly, on the door's centre line one-third down the top panel (**Fig. 22**) using M6 or equivalent screws (not supplied),
- STEEL DOORS ONLY:** Bracket can be welded in place.



NOTE: If in doubt about the door's strength, reinforcement may be added to the door's frame where necessary. Door damage may occur if the bracket is installed on a panel with insufficient strength. The opener's warranty does not cover damage caused to the door and/or door panels.

Step 13 - Attaching the Arms

FOR SECTIONAL AND ONE PIECE DOORS WITH TRACK:

- Assemble the bent arm (connecting to the door) to the right side of the straight arm (connecting to the shuttle) with bolts and nuts supplied in the accessory pack (**Fig. 23**). Always use both bent and straight arms.
- Connect the assembled arm to the bracket and the disengaged trolley with clevis and snap pins. The angle "A" must be more than 10° (**Fig. 24**).



WARNING: Connecting the bent arm other way around may damage the door. The straight arm should not protrude beyond heel of bent arm

FOR ONE PIECE DOORS WITHOUT TRACK

- Assemble the bent and straight arms as shown in (**Fig. 25**) with bolts and nuts supplied in the accessory pack. Always use both the bent and straight arms.
- Connect the assembled arm to the bracket and the disengaged trolley with clevis and snap pins.
- If installing on a door with a bad wave action, lengthening the arm will assist in reducing this effect.



IMPORTANT NOTE: Adjust the length of the cord so that its toggle is no more than 1.8m from the ground.

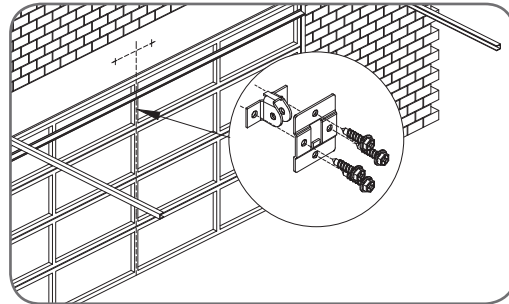


fig 22

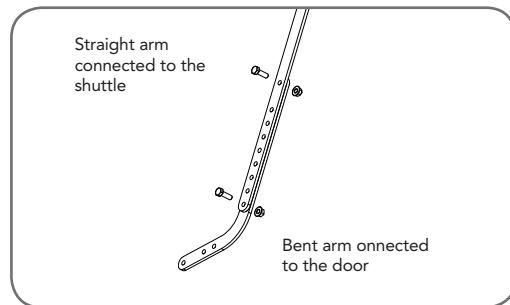


fig 23

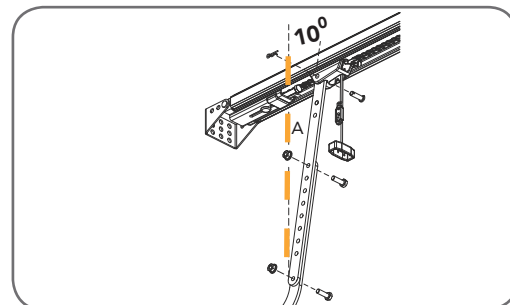


fig 24

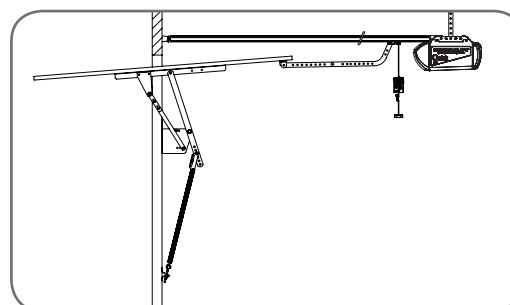


fig 25





Setting Limits

fig 26

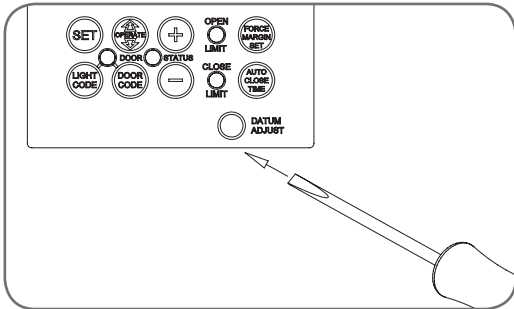
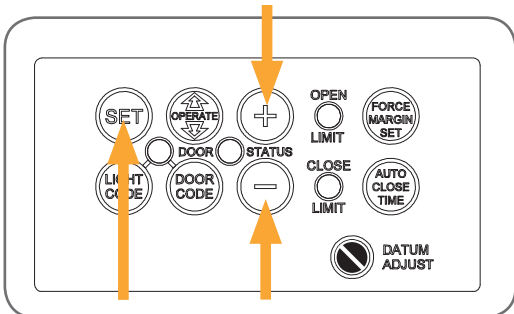


fig 27



NOTE: If P.E. Beams are to be used they must be installed before setting the travel limits.

Step 14.1 - Remove Controls Cover

Remove the controls cover to access the control panel. Replace it when setup is completed.

Step 14.2 - Connect Power to the Powerhead

Plug the power cord into a mains point and switch power on. The red CLOSE LIMIT LED will be flashing.



WARNING: The safety obstruction detection system is inoperable while MINUS (-) and PLUS (+) drive buttons are being used and travel limits are not set.

Step 14.3 - Set the Datum Position

- Press and hold the MINUS (-) or PLUS (+) buttons to move the door to the halfway position. Ensure that the door, shuttle and chain index are engaged.
- Using a small screwdriver, turn the DATUM ADJUST screw until the STATUS LED comes on (**Fig 26**).
 - » If the STATUS LED is already illuminated when the door is halfway up, turn the DATUM ADJUST screw until the light goes off, then turn back one notch to illuminate again.

Step 14.4 - Set the Limits Positions

- Press and hold the MINUS (-) button until the door reaches the desired close limit position. Single presses will inch the door closed (**Fig. 27**).
- Press the LIMIT SET button to store the close position into memory (**Fig. 27**).
- Press and hold the PLUS (+) button until the door reaches the desired open limit position. Single presses will inch the door open (**Fig. 27**).



IMPORTANT WARNING: The door will automatically close, open and close again **once Step 14.4(d) is performed**. Ensure that no persons or objects are in the door's path.

- Press the LIMIT SET button to store the close position into memory (**Fig. 27**).
- The door will now automatically close and open to calculate the safety obstruction settings. After this, the opener can be operated with the OPERATE button.

Step 14.5 - Resetting the Door Limit Positions

Limit positions can be deleted by the following steps:

- Press and hold the MINUS (-) button for six (6) seconds until you hear three beeps and the CLOSE LIMIT LED starts to flash.
- Release the CLOSE button.
- Repeat Steps 14.1 to 14.4 to set new travel limit positions.



Setting Limits: via Transmitter

The GDO-7v3 has the unique ability to set travel limits using the transmitter, allowing the installer to move around the garage and door to better assess the desired close and open limit positions.

Step 15.1 - Power Up and Set the Datum

- Follow Steps 14.1 to 14.3 as outlined overleaf.
Observe all warnings!

Step 15.2 - Code a Transmitter for Limit Setting

- Press and hold the DOOR CODE button (Fig. 28).
- Press Button 1 on the transmitter for two seconds (Fig. 29). Release and pause for two seconds. Press the same button again on the transmitter for two seconds.
- Release the DOOR CODE button.

Step 15.3 - Setting Limits via Transmitter

- Press and hold Button 4 on the transmitter to close the door. When the door is approx. 2cm from the ground, press and hold Button 3 for two seconds and release (Fig. 29).
- Each press of Button 4 will allow you to "inch" the door closed. Keep doing this until the door reaches the desired close limit position.
 - If the door is closed too far, press Button 1 to "inch" the door towards open
- When happy with the close limit position, press Button 2 to store this in memory.
- Press Button 1 to open the door. When approx. 2cm from the desired open position, press and hold Button 3 for two seconds then release.
- Each press of Button 1 will allow you to "inch" the door open. Keep doing this until the door reaches the desired open limit position.
 - If the door is opened too far, press Button 4 to "inch" the door towards closed



IMPORTANT WARNING: The door will automatically close, open and close again **once Step 15.3(f) is performed**. Ensure that no persons or objects are in the door's path.

- When happy with the open limit position, press Button 2 on the transmitter to store into memory.
- The door will now automatically close and open to calculate the safety obstruction settings. After this, the opener can be operated with the OPERATE button.

Step 15.4 - Resetting the Door Limit Positions

Limit positions can be deleted by the following steps:

- Follow Steps 14.5 (a) and (b), as outlined overleaf.
- Repeat Steps 15.1 and 15.3 to set new travel limit positions.
 - There is no need to re-code the transmitter (Step 15.2) upon resetting travel limits. The transmitter will still be stored in memory.

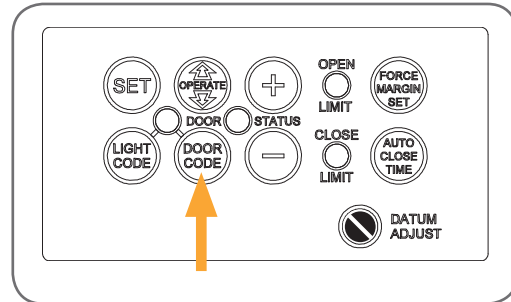


fig 28

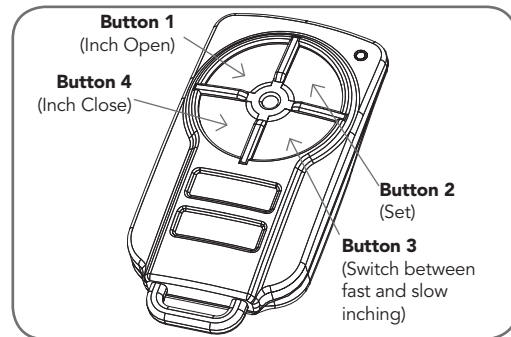


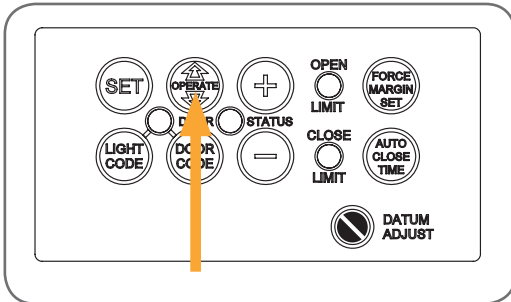
fig 29





Safety Obstruction Force Test

fig 30



WARNING! Take care when testing or adjusting the Safety Obstruction Force. Excessive force may cause **SERIOUS PERSONAL INJURY** and/or **PROPERTY DAMAGE**.

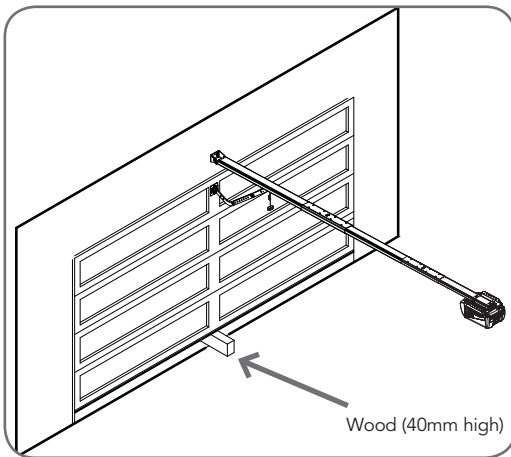
Step 16.1 - Testing Close Cycle

- Press the OPERATE button to open the door (**Fig. 30**).
- Place a piece of timber approximately 40mm high on the floor directly under the door (**Fig. 31**).
- Press the OPERATE button to close door. The door should strike the object and start to re-open.

Step 16.2 - Testing Open Cycle

- Press the OPERATE button to close the door (**Fig. 30**).
- Press again to open the door. When the door reaches the half open point, grab the bottom rail of the door firmly and the door should stop.
- If the door does not reverse readily when closing, or stop when opening, the force may be excessive and need adjusting, refer below.

fig 31



DANGER! If the door fails these tests, put the opener into manual mode, only operate the door by hand and call for service.



Adjusting Safety Obstruction Forces

Adjusting Safety Obstruction Force

The Safety Obstruction Force is calculated automatically during setup. Adjusting this is normally only necessitated by environmental conditions such as windy or dusty areas, and areas with extreme temperature changes.



WARNING: Doors requiring over 400N of force to move must have P.E. Beams fitted for safety.

Step 17.1 - To Increase Force Pressure

- Hold down FORCE MARGIN SET button (**Fig. 32**)
- While holding the FORCE MARGIN SET button, press the PLUS (+) button. Each press increases the force margin.
- The OPEN LIMIT LED will flash each time the PLUS (+) button is pressed to indicate a force increase
 - If the OPEN LIMIT LED lit continuously when pressing the PLUS (+) button this indicates that the maximum setting has been reached.
- Test the force again as per Steps 16.1 and 16.2

Step 17.2 - To Decrease Force Pressure

- Hold down FORCE MARGIN SET button (**Fig. 32**)
- While holding the FORCE MARGIN SET button, press the MINUS (-) button. Each press decreases the force margin.
- The CLOSE LIMIT LED will flash each time the MINUS (-) button is pressed to indicate a force increase
 - If the OPEN LIMIT LED lit continuously when pressing the PLUS (+) button this indicates that the maximum setting has been reached.
- Test the force again as per Steps 16.1 and 16.2

Step 17.3 - To Recall Factory Set Force

- While holding down the FORCE MARGIN SET button, press the LIMIT SET button for two (2) seconds.
- Release both buttons. The default setting should now be recalled.

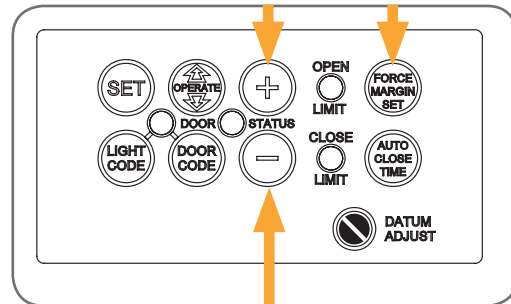


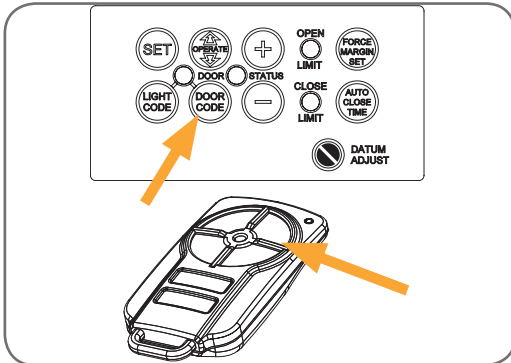
fig 32





Coding Transmitters

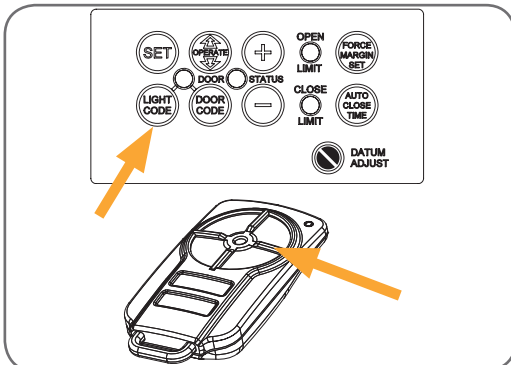
fig 33



Step 18.1 - Code a Transmitter Button for Door Operation

- Press and hold the DOOR CODE button (**Fig. 33**).
- Press one of the four buttons on the transmitter for two (2) seconds, pause for two (2) seconds, then press the same button again for two (2) seconds.
- Release the DOOR CODE BUTTON.
- Press the transmitter button to test.

fig 34

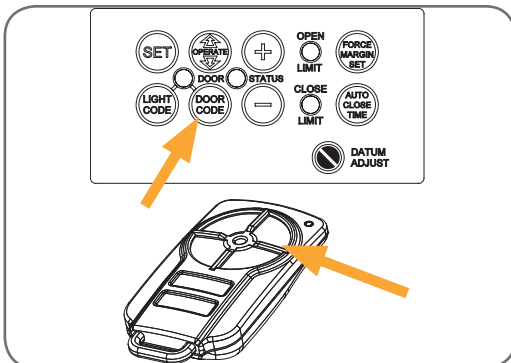


Step 18.2 - Coding a Transmitter Button to the Courtesy Light

The transmitter can be programmed to operate the courtesy light on the opener independently of the door moving.

- Press and hold LIGHT CODE button (**Fig. 34**).
- Press one of the four buttons on the transmitter for two (2) seconds, pause for two (2) seconds, then press the same button again for two (2) seconds.
- Release the LIGHT CODE button.
- Press the transmitter button to test.

fig 35

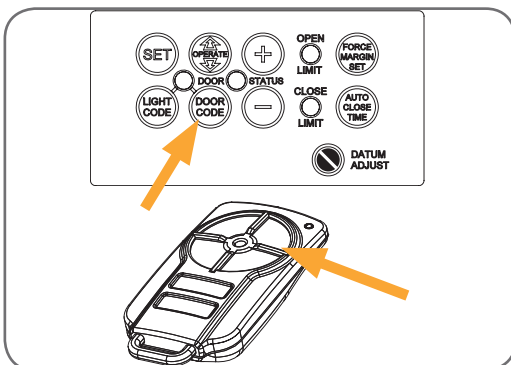


Step 18.2 - Code a Transmitter Button to Enable Vacation mode

The opener can be programmed into a "Vacation Mode" where the opener will not respond to any transmitter except the button of the transmitter the one programmed for vacation mode.

- Briefly press the DOOR CODE button once, then press it again and hold (will beep two times on second press (**Fig. 35**)).
- Press one of the four (4) buttons on the transmitter for two (2) seconds, pause for two (2) seconds, then press the same button again for two (2) seconds.
- Release DOOR CODE button.
- Press and hold the transmitter button for six (6) seconds to set Vacation Mode. the door code led will stay lit while vacation mode is active.
- To reset Vacation Mode press the same button for two seconds.

fig 36



Step 18.3 - Code a Transmitter Button to Enable AUX OUTPUT

- Briefly press the DOOR CODE button two (2) times, then press it again and hold (will beep three times on third press (**Fig. 36**)).
- Press one of the four buttons on the transmitter for two (2) seconds, pause for two (2) seconds, then press the same button again for two (2) second.
- Release the DOOR CODE button.
- Press the transmitter button to test.





Step 18.4 - Code a Transmitter Button for Pet (Pedestrian) Mode

- Briefly press the DOOR CODE button three times, then press it again and hold (will beep four times on fourth press (**Fig. 37**)).
- Press one of the four buttons on the transmitter for two (2) seconds, pause for two (2) seconds, then press the same button again for two (2) seconds.
- Release the DOOR CODE button.
- Press the transmitter button to test.
- To change the default pet (pedestrian) door opening position, refer Step 24.

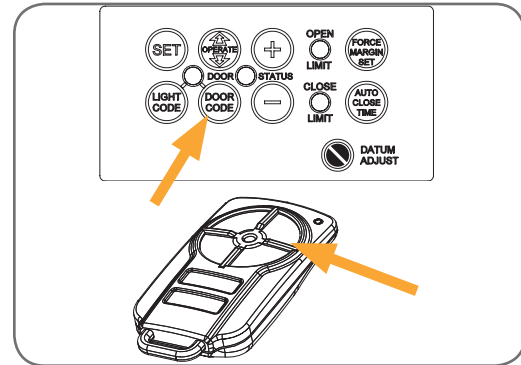


fig 37





Coding Transmitters

fig 38

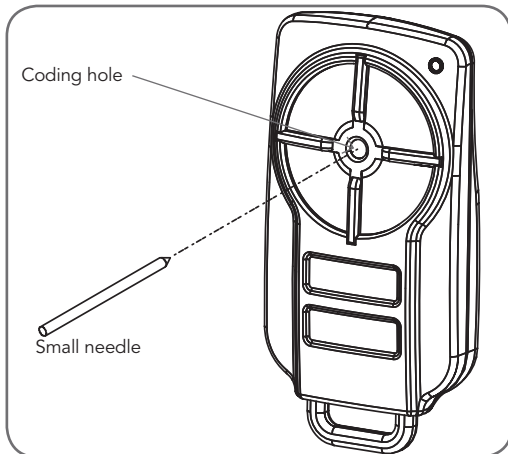
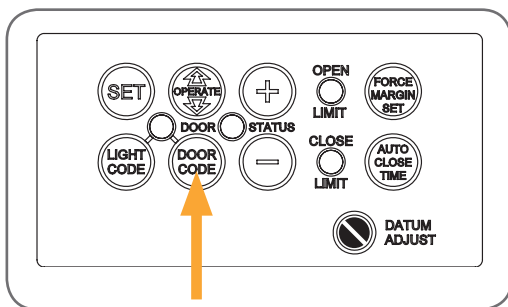


fig 39



Step 19 - Remotely Coding Transmitters

Using this method transmitters can be coded without access to the opener's control panel as long as a pre-coded transmitter is available.



IMPORTANT NOTE: The door or courtesy light must activate when the steps below are performed. This indicates that the pre-coded transmitter is in range of the opener, and the correct button has been pressed.

- Take any pre-coded transmitter. Press the button for the function to be duplicated and release.
- Using a small needle, press and hold firmly for two seconds through the Coding Hole (**Fig. 38.**)
- WITHIN 10 SECONDS take the additional transmitter you wish to code. Decide which button that you want to activate the function to be duplicated (e.g. activate the door, or turn on the courtesy light)
- Hold the new transmitter's button for two seconds, pause for two seconds, hold again for two seconds and then release.
- Wait for 10 seconds and then press the new transmitter's button to test.

Step 20. Deleting Programmed Codes

Step 20.1 - Deleting a Stored Transmitter Code

- Select the transmitter you want to delete.
- Press and hold the DOOR CODE BUTTON (**Fig. 39.**)
- Press the transmitter button you would like to delete for two seconds, pause for two seconds, press again for two seconds and then release.
- Release the DOOR CODE BUTTON. The code should now be deleted. Confirm this by pressing the transmitter button - the function (e.g. door opening) should not respond.

Step 20.2 - Deleting All Transmitter Codes

1. Turn off power to the opener.
- While switched off, press and hold the DOOR CODE BUTTON (**Fig. 39.**) Turn on power to the opener while holding this button.
- The OPEN LIMIT, CLOSE LIMIT and DOOR STATUS LEDs will illuminate for about five seconds. These LED's will turn off and the CODING LED will illuminate.
- Release the DOOR CODE BUTTON. All stored codes will now be deleted. Confirm this pressing buttons on any previously coded transmitters - the opener should not respond.



Final Set Up

Step 23 - Setting of Courtesy Light Time

The preset courtesy light time is three minutes. This time can only be changed by the PG-3 programmer.

Step 24 - Setting the Pet Mode position

The default Pet Mode height can be changed as follows:

- Make sure the door is closed, then press and hold the PLUS (+) button for six (6) seconds (**Fig. 43**), until you hear three beeps and the OPEN and CLOSE LEDs flash rapidly.
- Press the PLUS (+) or MINUS (-) button to move the door to the desired pet mode open position.
- Press the SET button to record the new position.

When activated, Pet Mode drives the door to the preset position from either above or below. Pet Mode's active status is indicated by both the OPEN and CLOSE LIMIT LEDs being illuminated. If a Pet Mode button is pressed while the door is moving the door will stop. If a Pet Mode button is pressed when the door is in the Pet position, then the door will close.

Step 25 - Installing the Wall Mounted Transmitter (Optional)

- Remove the faceplate from the transmitter.
- Affix the baseplate in a convenient wall location (**Fig 44**) that is the door is visible from this location. but out of the reach of children at a height of at least 1.8 meters from the floor.
- Replace the faceplate.
- To code the transmitter, see Step 19 on page 20.

Step 26 - Re-initialising the Opener

- Press and hold the SET Button for two (2) seconds, the beeper will sound once (**Fig 45**).
- The door will start to move and re-calculate force margins. The door can move between the open and close limit positions up to four (4) times (depending on the position of the door and the power up condition).
- A single beep will be heard once the initialisation is complete. The door is now ready for use.

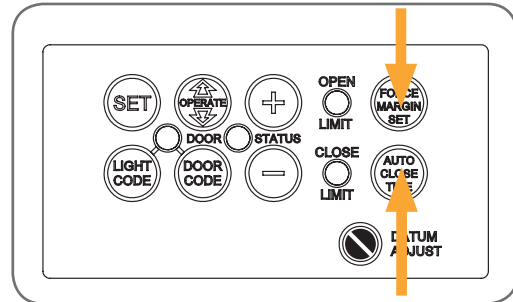


fig 42

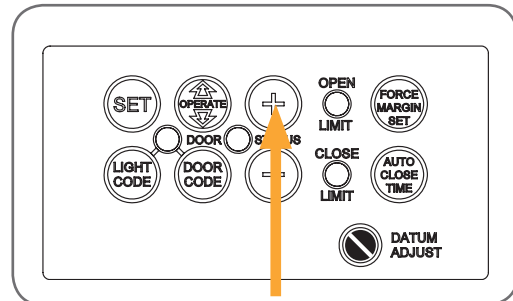


fig 43

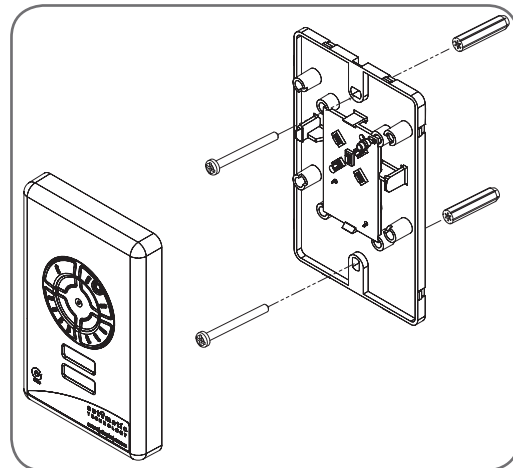


fig 44

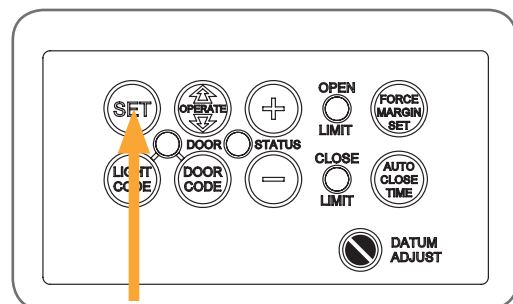


fig 45



Parameters

Door Status Indicators

| Door Opener State | OPEN LED (Green) | CLOSE LED (Red) | Beeper | STATUS LED (Yellow) |
|-----------------------------------------------------|---------------------|---------------------|------------------------------------|---------------------|
| Open | On | | | |
| Close | | On | | |
| Opening | Flashing | | | |
| Closing | | Flashing | | |
| Door travel stopped | Flashing | Flashing | | |
| Door obstructed when opening | Flashing | | | |
| Door obstructed when closing | | Flashing | Beeps as door moves | |
| Opener overloaded | Alternating flashes | Alternating flashes | | |
| Door in open position with Auto-Close mode selected | One second flashes | | | |
| Mains power interrupted | Rapid flashes | | | |
| Service due | | | 3 beeps at the start of each cycle | On |





Parameters

Door Status Indicators

| Buttons | Function |
|----------------------------------------------------------------|--------------------------------------------------------------------|
| OPERATE | Opens/Stops/Closes the door |
| DOOR CODE | Codes a transmitter button for operate function |
| LIGHT CODE | Codes a transmitter button for light function |
| FORCE MARGIN SET & PLUS (+) | Increases the obstruction force margin setting |
| FORCE MARGIN SET & MINUS (-) | Decreases the obstruction force margin setting |
| FORCE MARGIN SET (then) SET | Reloads the factory set default obstruction force margin setting |
| AUTO CLOSE TIME (then) PLUS (+) | Increases the auto close delay time |
| AUTO CLOSE TIME (then) MINUS (-) | Decreases the auto close delay time |
| AUTO CLOSE TIME (then) SET | Reloads the factory set default auto close delay time |
| MINUS (-) (for 6 secs.) | Clears the door limits set positions. Limits then need to be reset |
| PLUS (+) (for 6 secs.) | Enters pet (pedestrian) position mode |
| SET (then power on) & hold until all LEDs are off | Deletes control parameters excluding transmitter storage memory |
| DOOR CODE (then power on) & hold until all LEDs are off | Deletes all transmitter storage memory |
| SET & DOOR CODE (the power on) and hold until all LEDs are off | Deletes all control parameters and transmitter storage memory. |
| SET | Re-initialises the Opener to re-calculate force margin |





Default Settings & Specifications

Factory Default Settings

| | Default | Step | Maximum |
|--------------------------|---------|-------|----------|
| Maximum motor run time | 60 secs | - | - |
| Courtesy light time | 3 mins | 1 sec | 255 secs |
| Obstruction force margin | 2 | 1 | 26 |
| Auto close time | 0 secs | 1 sec | 255 secs |

Technical Specifications

| | |
|-----------------------------------------------|------------------------------------------------------------------------|
| Power supply | 230V - 240Va.c. 50Hz |
| Standby power | 2.2 Watts |
| Motor power | 250 Watts (1/3 HP) |
| Motor type | Alternating Current |
| Shuttle travel distance | 3.1m approx. (Standard) |
| Maximum shuttle travel distance in the C-Rail | 3.850m (with extension) |
| Maximum door opening: | Width: 5500mm (16.5m ²) Height: 3000mm Weight: 100kg |
| Short term peak force | 800N (80kg) |
| Lift force | 600N (60kg) |
| Nominal force | 150N (15kg) |
| Receiver type | UHF Multi-frequency FM Receiver |
| Receiver code storage capacity | 24 X 4 button Transmitter Codes |
| Transmitter frequency | UHF Multi-frequency FM Transmitter |
| Coding type | TrioCode™ |
| Number of code combinations | Over 4.29 billion random codes |
| Code generation | Non-linear encryption algorithm |
| Transmitter battery | CR2032 (3 Volts) |
| Courtesy light | Edison (screw mount) 240V 60W rough service (or construction type) |
| Controller fuse | 5A slow blow |

NOTE:

1. The door must be well balanced. A person should be able to lift the door up manually with very little effort in case of an emergency.
2. Intermittent operations may occur in areas which experience very strong winds. Strong wind puts extra pressure on the door and tracks which may in turn trigger the safety obstruction detection system intermittently.
3. P.E Beams should be fitted as added safety in case of entrapment.





Troubleshooting

| Symptom | Possible cause | Remedy |
|------------------------------------------------------------------------------------------|---------------------------------------------------------------------------------------------------|----------------------------------------------------------------------------|
| Door will not operate | Mains power not switched on. | Switch on mains power. |
| | Door is obstructed. | Remove obstruction. |
| | Door is locked or motor jammed. | Unlock door or remove jam. |
| | Door tracks/hardware damaged. | Door requires service/repair by qualified technician. |
| | The opener is in "vacation mode" | Turn off "vacation mode". |
| Door starts to close but automatically reverses to open position | Adverse weather conditions (wind or cold) causing door to stiffen and become tight in the tracks. | Increase force margin setting See page 20 or re-calculate force margin. |
| | Possible obstruction in the doorway. | Remove obstruction. |
| Door operates from drive unit (OPERATE) button but not from transmitter* See note | Transmitter code not stored in memory. | Code transmitter in to openers memory. Refer step 18.1 on page 22 |
| | Flat battery. | Replace battery |
| | Broken battery lead inside transmitter | Send transmitter to installer or Automatic Technology for repair |
| Door will not close fully. | Door limits positions need to be reset. | Reset limits positions. Step 15.4, page 19. |
| Door will not open fully. | Door limits positions need to be reset. | Reset limits positions. Step 15.4, page 19. |
| Courtesy light not working | Globe down | Replace globe - Edison type 240V 60W |
| Globe keeps blowing | Incorrect globe voltage - must be 240V AC | Replace globe - Edison type 240V 60W |
| Auto close not working | PE Beam or wiring faulty. | Repair PE Beam or replace wiring. |
| | PE Beam not aligned correctly. | Re-align optics. |
| | PE Beam is obstructed. | Remove obstruction from path of PE. |
| | Door obstructed when closing. | Remove obstruction. |
| | Auto close time not set. | See Step 22 on page 25. |
| | Auto close mode not set | See Step 22 on page 25. |

PLEASE NOTE:

Some areas may be prone to excessive radio interference brought on by devices such as cordless telephones, wireless stereo headphones and baby monitors. It is possible that these devices could cause a degree of interference such as to greatly reduce the range of the transmitter. In such an instance please contact your Automatic Technology dealer for an alternative frequency replacement kit. As this is not a warrantable situation but an environmental issue charges may apply for the change-over.





Spare Parts



| ITEM NO. | DESCRIPTION | PART # | ITEM NO. | DESCRIPTION | PART # |
|----------|--------------------------------------|--------|----------|------------------------------------|--------|
| 1 | BASE AV2 | 13785 | 41 | C RAIL SLEAVE 400 TS01 | 04658 |
| 2 | GEARBOX LID 46.5 | 72020 | 42 | C RAIL TRACK 780 TS01 | 04655 |
| 3 | BUSH ID.10x10 | 04281 | 43 | CHAIN INDEX V3 | 02941 |
| 4 | GEARBOX BASE 46.5 | 72201 | 44 | TENSION CHAIN ASSY TS01 | 01463 |
| 5 | BUSH ID.12x18 | 04282 | 45 | WALL BRACKET TS01 | 02522 |
| 6 | DRIVE SHAFT 12.7 149.5 | 04643 | 46 | PIN 0890 | 05790 |
| 7 | THRUST WASHER NTA-R15 W | 14300 | 47 | PIN SNAP SSP 8 ZNU 31080 | 07020 |
| 8 | WAVE SPRING WASHER | 12380 | 48 | STRING HANDLE ASSY VP2 | 71421 |
| 9 | E CIRCLIP N1540 0050 | 10789 | 49 | SHUTTLE ASSY TS01 | 04678 |
| 10 | CAPACITOR 15.0uF 4-16-10-22-64 | 14402 | 50 | SPROCKET SUPPOART TS01 | 04921 |
| 11 | A.C. MOTOR 250W FM-624088 230V/50Hz | 14411 | 51 | SPROCKET 81-12.7 TS20 | 04866 |
| 12 | TERMINAL BLOCK SHIELD V1 (NOT SHOWN) | 14057 | 52 | THRUSS SER HD SCREW "S" TRUSS M4x8 | 10503 |
| 13 | TERMINAL BLOCK 500/02DS 2 POS | 05421 | 53 | CHAIN 1/2"x1/8" (487 LINKS) WIZCL | 07575 |
| 14 | PAN HEAD SCREW W/T.L.WASHER M3x14 | 10361 | 54 | CHAIN JOINT LINK | 02950 |
| 15 | CAP POLYFILM 0.1uF K X2 Z75VAC | 07575 | 55 | STRAIGHT ARM | 02800 |
| 16 | WORM & 2X TFC ASSY | 04838 | 56 | BENT ARM | 02851 |
| 17 | HEX SPACER M5 84FX10 | 11182 | 57 | CLEVIS PIN 0829 | 10110 |
| 18 | RUBBER STOP 20x10 | 02840 | 58 | HEX HEAD SCREW M8x25 | 10148 |
| 19 | SEL-LOCK PIN SPRING ACP M4 x 20 | 02590 | 59 | HEX SERRATION FLANGE NUT M8 | 10720 |
| 20 | BUSH 28.5x12.7x9 | 04273 | 60 | PIN SNAP SSP 8 ZNU 31080 | 02511 |
| 21 | HELICAL GEAR 34209 (NOT SHOWN) | 04941 | 61 | DOOR BRACKET | 02511 |
| 22 | RUBBER STOP BRACKET (NOT SHOWN) | 02644 | 62 | DOOR BRACKET LOCATOR | 02515 |
| 23 | CHOPPER WHEEL GR425C | 04951 | | | |
| 24 | RATCHET TIMING ASSY B | 04960 | | | |
| 25 | CORD GRIP BRACKET 588P-2 | 07137 | | | |
| 26 | CORD GRIP BRACKET 588P-1 | 04791 | | | |
| 27 | CORD GRIP BRACKET 588P-1 | 04791 | | | |
| 28 | TAPEITTE SCREW "S" PH THD M4x10 | 10504 | | | |
| 29 | BOARD HOUSING S-A-Y AV2 | 01698 | | | |
| 30 | BOARD HOUSING "P" M4 x 8 | 10580 | | | |
| 31 | TAPITTE SCREW "S" PH THD M4x10 | 10580 | | | |
| 32 | CONTROL BOARD ACRIUS | 00625 | | | |
| 33 | POWER CORD ASSY A.S. SV1 | 10870 | | | |
| 34 | HEX NUT M8 | 10497 | | | |
| 35 | FLANGE TAPITTE SCREW "S" M4x10 | 11100 | | | |
| 36 | INT TOOTH LOCK WASHER I.D.8 | 13902 | | | |
| 37 | LIGHT DIFFUSER | 01695 | | | |
| 38 | COVER SP AV2 | 10542 | | | |
| 39 | PAN HD SCREW "P" M3.5 x 6 | 05108 | | | |
| 40 | CONTROLS LID | | | | |





Warranty and Exclusion of Liability

1. This warranty is an addition to any non-excludable conditions or warranties that are implied into this contract by relevant statute, including the Trade Practices Act 1974 (Cwth).
2. Subject to all of the matters set out below, Automatic Technology Australia Pty Ltd ("ATA") warrants:
 - (a) overhead door opener drive units for twenty four (24) months or 5000 cycles, whichever occurs first; and
 - (b) all components and accessories for twelve (12) months, from the date of purchase (specified in the sales docket receipt) as free of any defects in material and workmanship.
3. This warranty applies only where the purchaser:
 - (a) immediately notifies ATA or the retailer of the alleged defect;
 - (b) returns the product to the retailer; and
 - (c) presents the relevant sales docket and this warranty document to the retailer to confirm the date of purchase.
4. Except for this warranty, ATA gives no warranties of any kind whatsoever (whether express or implied), in relation to the product, and all warranties of whatsoever kind relating to the product are, to the extent permissible by statute, hereby excluded.
5. To the extent permissible by statute, ATA disclaims any liability of whatsoever nature in respect of any claim or demand for loss or damage which arises out of:
 - (a) accidental damage to or normal wear and tear to the product or to the product's components;
 - (b) any cost relating to damage resulting from wear and tear;
 - (c) blown fuses, loss or damage caused by electrical surges, power surges or power spikes;
 - (d) loss or damage due to theft, fire, flood, rain, water, lightning, storms or any other acts of God;
 - (e) maximum continuous operating time exceeding one (1) minute in ten (10);
 - (f) maximum operating force exceeding *15kg (150N) when moving the door manually to the open or closed position;
 - (g) door surface area and/or weight exceeding 16.5m² and 100kg respectively;
 - (h) door not in safe and correct working order and condition;
 - (i) evidence of unauthorised repairs;
 - (j) any cost relating to damage caused by misuse, negligence or failure to maintain the equipment in a proper working order as per clauses (d) through (h);
 - (k) installation, adjustment or use which is not in accordance with the instructions set out in installation instruction manual
 - (l) attempted or complete modification or repairs to the product carried out by a person who is not authorised or has not been trained by ATA to carry out such modification or repairs;
 - (m) faulty or unsuitable wiring of structure to which the product is fixed or connected;
 - (n) radio (including citizen band transmission) or any electrical interference;
 - (o) damage caused by insects;
 - (p) loss or damage to any property whatsoever or any loss or expense whatsoever resulting or arising there from or any consequential loss;
 - (q) any cost or expense arising due to manufacturer recall of any product;
 - (r) any cost or expense due to negligence of the approved service provider;
 - (s) installation of a residential garage door opener in a commercial or industrial situation or a non-single residential dwelling.
6. ATA's liability under this warranty is limited, at ATA's absolute option, to replacing or repairing the product which ATA, in its unfettered opinion, considers to be defective either in material and/or workmanship or to credit the dealer with the price at which the product was purchased by the dealer.
7. This warranty does not extend to cover labour for installation.
8. This warranty is limited to Return-to-Base (RTB) repair and does not cover labour for on-site attendance.
9. This warranty is void if the Product is not returned to the manufacturer in original or suitably secure packaging.
10. This warranty is only applicable for repairs to the product carried out within Australia.
11. This warranty does not cover consumable items including globes, batteries and fuses.
12. This warranty is not transferable.
13. Where the Product is retailed by any person other than ATA, except for the warranty set out above, such person has no authority from ATA to give any warranty or guarantee on ATA's behalf in addition to the warranty set out above.

NOTES:

1. One (1) cycle = one (1) open and one (1) close action of the door or gate.
2. This warranty is to be read in conjunction with the owner's copy of the installation instruction manual.
- 3 *The door should be balanced in such a way that the user manually is able to open or close the door without using force not greater than 150N (15kg) although a greater force may be required for the start of the movement.



smart | simple | secure





© September 2008 Automatic Technology (Australia) Pty Ltd. All rights reserved. TrioCode™ and SecuraLift® are trademarks of Automatic Technology (Australia) Pty Ltd. No part of this document may be reproduced without prior permission. In an ongoing commitment to product quality we reserve the right to change specification without notice. E&OE.

automatic
TECHNOLOGY

smart | simple | secure

an alesco company

Automatic Technology (Australia) Pty Ltd

ABN 11 007 125 368

6-8 Fiveways Boulevard
Keysborough, Victoria, 3173, Australia

P 1300 133 944

+61 2 9722 5666 (International Enquiries Only)

E sales@ata-aust.com.au

www.ata-aust.com.au